

## INSTRUCTIONS FOR INSTALLING THE 161280 MODIFICATION KIT ON A MODEL 28 TYPING UNIT TO PROVIDE ON-LINE OPERATION OF THE LOCAL REVERSE LINE FEED MECHANISM

### 1. GENERAL

\*a. The 161280 modification kit when installed on a Model 28 Typing Unit equipped with the local reverse line feed modification kit (Specification 5765S) and having the Nos. 39 and 41 slots vacant in the stunt box will provide the means for "on-line" operation of the reverse line feed mechanism. Any keylever may be chosen to operate this mechanism by removing the tines in the furnished universal function bar corresponding to the code of the keylever. The keylever chosen must be the same for all units in the same circuit. In addition, keyboards (LK3, LK4, LK5, LK7) or receiving-only base (LB) equipped with the local line feed mechanism must be equipped with the 153246 bracket and 153252 trip link (ordered separately) in place of the 151159 bracket and 151859 trip link.

b. Operation is as follows: When a selected signal is received for reverse line feed it causes the associated function bar to operate causing the reverse line feed slide arm to move forward. The forward movement of the reverse line feed slide arm causes the forward movement of the line feed slide arm, allowing the line feed clutch to operate. It also provides motion to the lever assembly, causing the reverse line feed link to be operated. The reverse line feed link when operated, blocks the lower end of the extensions on the line feed pawls, causing a reversing action of the line feed mechanism.

c. 161280 modification kit consists of:

1	3598	Nut	1	152660	Spring Plate
1	4703	Spring	1	153440	Universal Function Bar
1	4812	Wick, Felt	1	157238	Spring
1	72522	Wick, Felt	1	157240	Spring
1	90517	Spring	1	161269	Line Feed Slide Arm
1	103539	Screw	1	161270	Reverse Line Feed Slide Arm
1	119649	Retaining Ring	1	161271	Link, Reverse Line Feed
1	119651	Retaining Ring	1	161272	Bracket W/Stud
1	150973	"Blank" Type Pallet	1	161273	Bracket W/Stud
2	151722	Screw	1	161278	Lever Assembly
1	152641	Function Lever	1	161279	Spring
1	152653	Function Pawl			

d. For part numbers referred to and for parts ordering see Teletype Model 28 Printer Parts Bulletin 1149B.

## 2. INSTALLATION (Figure 1)

### NOTE

Reference made to "left" or "right," "up" or "down," apply to the unit in its normal operating position as viewed from the operator's position in front of the unit.

#### a. 161280 modification kit:

(1) Remove and retain the 81731 spring.

(2) Replace the 150557 keyboard lock bracket and 153242 bracket by removing two 151657 screws (discard) and two 2191 lockwashers (retain) with a 161272 bracket using the two 2191 lockwashers retained and two 151722 screws.

(3) Replace the 153241 link with the 161271 link using the same shoulder bushing, lockwasher, and screw.

\* (4) Install the 81731 spring (previously removed in Paragraph 2.a.(1)) with a 4812 felt wick.

(5) Remove and retain the stunt box in accordance with standard practice.

(6) Replace the 150919 line feed slide arm (or the 152359 line feed slide arm if the unit is equipped with a page feed-out mechanism) with a 161269 line feed slide arm.

(7) Add a 161270 reverse line feed slide arm in the next slot to the right of the 161269 line feed slide arm in the 150894 guide bar with the large projection toward the front and to the right.

(8) Replace the right 151692 or 151657 screw used to mount the 153314 or 152711 bracket (on earlier units) to the 150894 guide bar with a 103539 screw. Retain the 2191 lockwasher.

(9) Mount the 161273 bracket to the bottom of the 150894 guide bar with its formed ear towards the front of the unit using the protruding portion of the 103539 screw, the 2191 lockwasher (retained in Paragraph (8)) and a 3598 nut. Make sure bracket is straight before tightening nut.

(10) Place the 161279 torsion spring over the hub of the 161278 lever assembly hooking one end over the unformed leg of the 161278 assembly.

(11) Mount the 161278 lever assembly to the 161273 bracket using a 119649 retaining ring. Make certain that the loop on the left ear on the 161279 spring is under the 161273 bracket.

(12) Mount the other end of the 161278 lever assembly to the stud on the 161272 bracket using a 119651 retaining ring. Make certain that the lever is below the 161271 link extension.

(13) Remove the proper tines from the 153440 universal function bar corresponding to the code of the keylever chosen to operate this modification kit in accordance with standard practice.

(14) Add the worked over 153440 universal function bar, 152641 function lever, 152653 function pawl, 152660 spring plate, 157240 spring (insert the 72522 felt wick before installing), 4703 spring and 90517 spring to slot 39 of the stunt box.

(15) Replace stunt box in accordance with standard practice.

(16) Printing will take place on reverse line feed if there is a type pallet in the typebox corresponding to the keylever code chosen. To avoid printing remove and discard type pallet and spring selected during reverse line feed.

(a) In the old style typebox (3/8" thick) replace with a 150973 "Blank" type pallet and 157238 spring. Insert from hammer side of the typebox.

(b) In the new style thin typebox, no "blank" type pallet replacement is required.

\*b. Keyboard (LK3, LK4, LK5, LK7) or Base (LB) equipped with local line feed mechanism - Install the 153246 bracket and 153252 trip link (ordered separately) in place of the 151159 bracket and 151859 trip link to provide local reverse line feed feature.

### 3. ADJUSTMENTS AND LUBRICATION

For adjustments and lubrication procedure refer to standardized information, for other than Bell System, Bulletin 217B. Make the Local Reverse Line Feed Mechanism adjustments and the following.

#### Torsion Spring (161279)

With the push end of an 8 oz scale placed against the free end of the lower lever in the lever assembly and the reverse line feed link held up, it should require 1 to 5 oz to start the lever moving.

\* \* \*

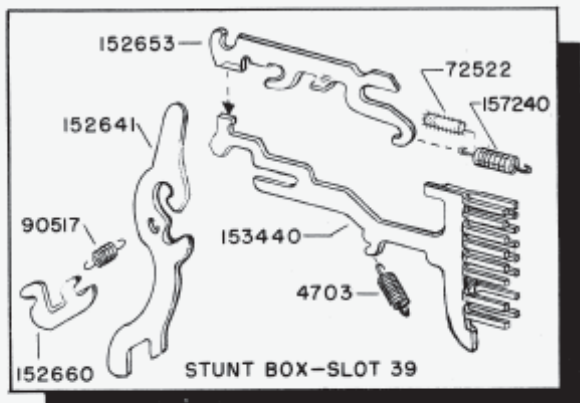
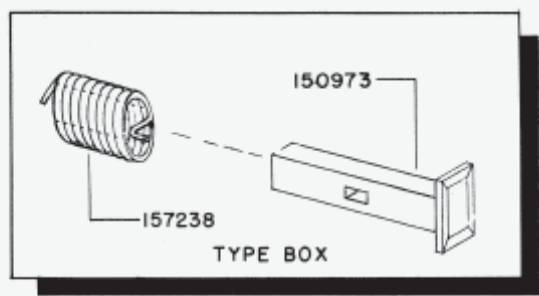
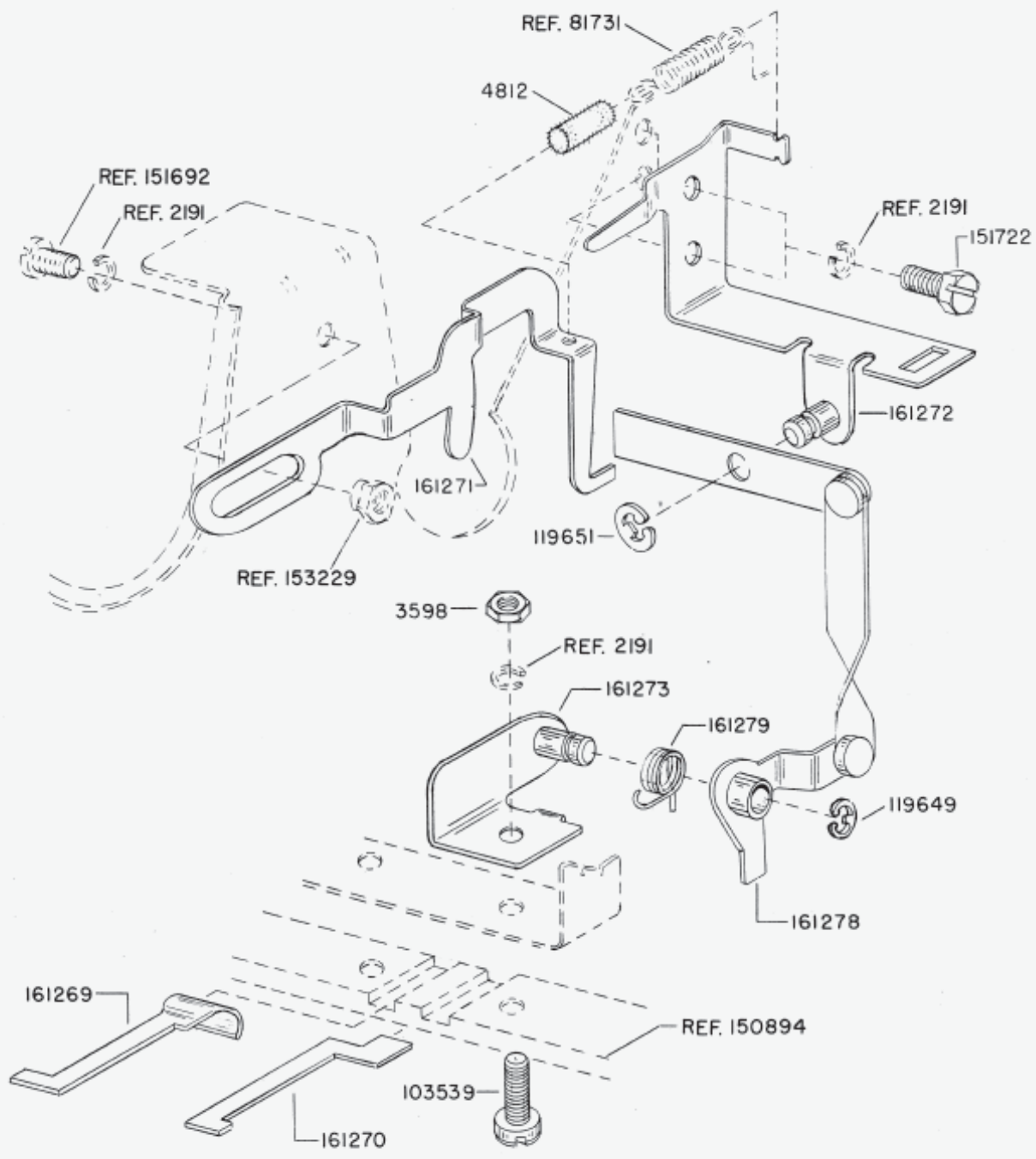


FIGURE 1