

INSTRUCTIONS FOR INSTALLING AND PARTS ORDERING
INFORMATION FOR THE 160335 MODIFICATION KIT TO ADD CONTROL
PANEL TO MODEL 28 AUTOMATIC SEND-RECEIVE CABINET LAAC206**

1. GENERAL

a. The 160335 modification kit mounts on the Model 28 Automatic Send-Receive Cabinet LAAC206** to provide a control panel for manual operation of the transmitter distributor of the automatic send-receive set. The control panel must be associated with a 160334 transmitter control device covered in Teletype Specification 5887S.

b. Switches, jacks and an indicator light are mounted on the control panel. The switches provide for the manual operation of the transmitter distributor, for off line stunt shift control and for keyboard disabling. The indicator light is used to indicate a busy transmitter distributor line.

c. The double asterisks (**) designate paint finish suffix.

d. The 160335 modification kit consists of:

4	2191	Washer, Lock	4	122476	Screw, Self-Tapping #6
2	3438	Washer, Flat	1	160382	Cover
2	7002	Washer, Flat	2	160390	Bracket
4	75750	Insulator	1	160424	Control Panel Assembly (components listed in Paragraph e.)
2	77902	Screw 6-40 x 2-1/2 Rd.			
2	103539	Screw 6-40 x 5/16 Fil.			
2	121247	Clamp, Cable	1	3455WD	Wiring Diagram

e. The 160424 control panel assembly consists of:

1	93136	Switch, Toggle	2	160370	Switch, Push (Normally Closed)
2	97143	Jack	1	160371	Light, Pilot
1	116698	Lamp, 6 Volt	1	160381	Panel, Control
14	155753	Sleeve, Insulating 1/2" long	1	160383	Switch, Rotary
4	155755	Sleeve, Insulating 5/8" long	2	161206	Insulator
1	160352	Cable Assembly	2	161210	Nut 11/16-32 Hex.
1	160369	Switch, Push (Normally Open)			

2. INSTALLATION

a. Mount the two mounting brackets with the four filister head screws furnished, as shown on Figure 1.

b. Remove the three nuts, lock washers and washers which hold the blank panel to the cabinet. Remove the panel.

c. Mount the control panel in the long channel at the top of the control panel cut-out, and over the screw studs below the cut-out.

d. Use one nut, lock washer and washer on the right end of the panel to hold it in place.

e. Mount the cover within the channel formed by the two mounting brackets and on the two remaining screw studs. Make sure that rubber grommet is seated in the cover cable slot.

f. Route the cable along the left wall of the dome, toward the hinge. Then follow the hinge to the center of the cabinet and drop down. Two cable clamps should be installed along the hinge to hold the cable. Route the right and left cable legs along the right and left terminal rows, respectively.

g. Mount the resistors on the resistor mounting bracket under the copy light transformer. Remove the mounting bracket from the cabinet by loosening the mounting screw and sliding the bracket upward and out. Mount the resistors on the bracket using the resistor mounting hardware. Replace the resistor mounting bracket in the reverse of the above.

3. WIRING

a. Wire in accordance with Wiring Diagram 3455WD furnished with the modification kit.

4. TESTING PROCEDURE

a. Insert a piece of prepared tape into transmitter and depress the "START" button. The unit should operate and the "BUSY LINE" indicator should light.

b. Depressing the "STOP" button should stop the transmitter operation.

c. If the "BREAK" key is depressed during transmitter operation, the unit should stop and the "OPEN LINE" indicator should begin to flash.

d. During a busy line condition, depression of the "START" button should not start the transmitter. However, when the line does become idle, the transmitter should start. To test this feature, depress the "LTRS" and "REPEAT" keys simultaneously and depress the "START" button.

* * *

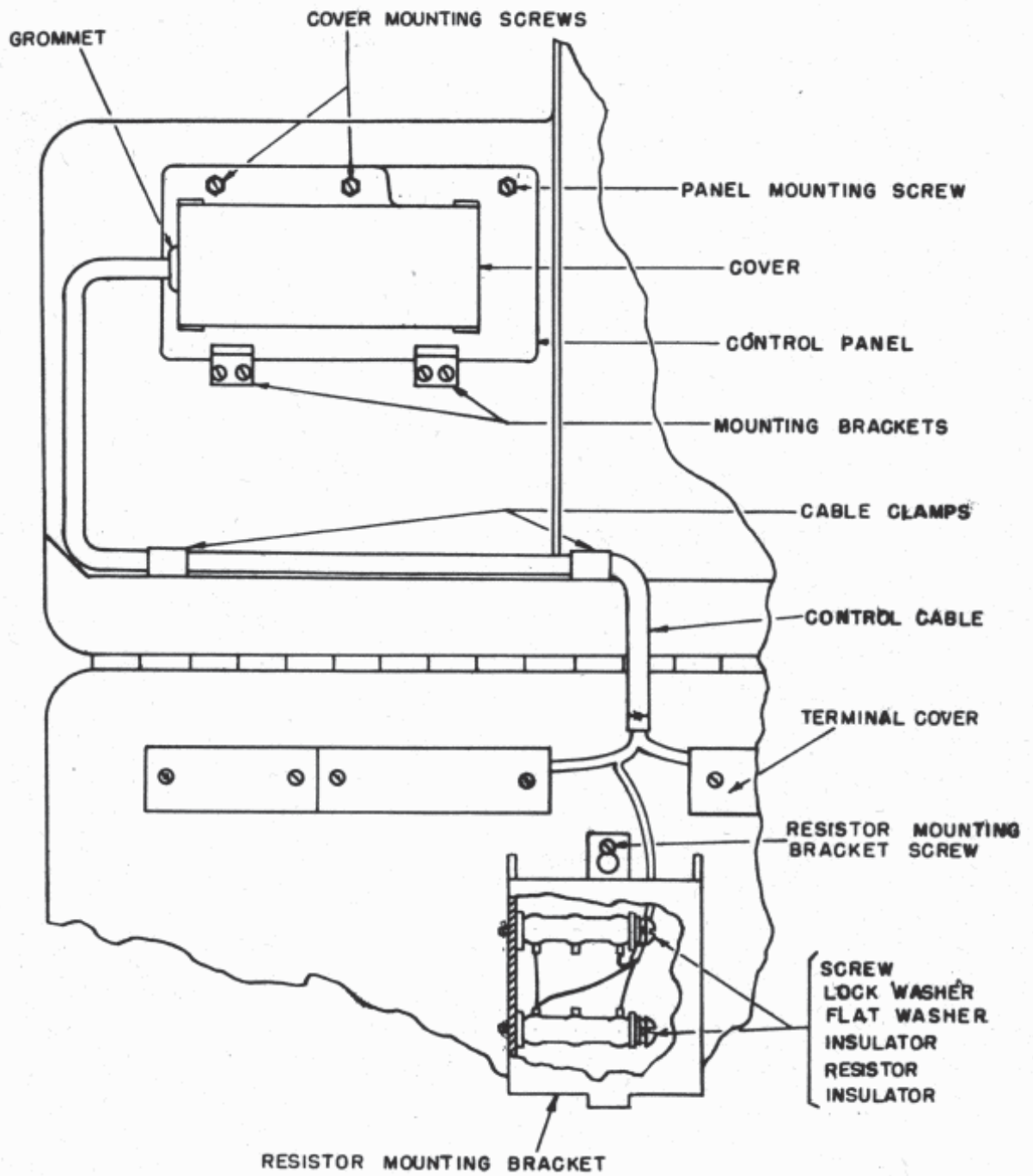


FIGURE 1

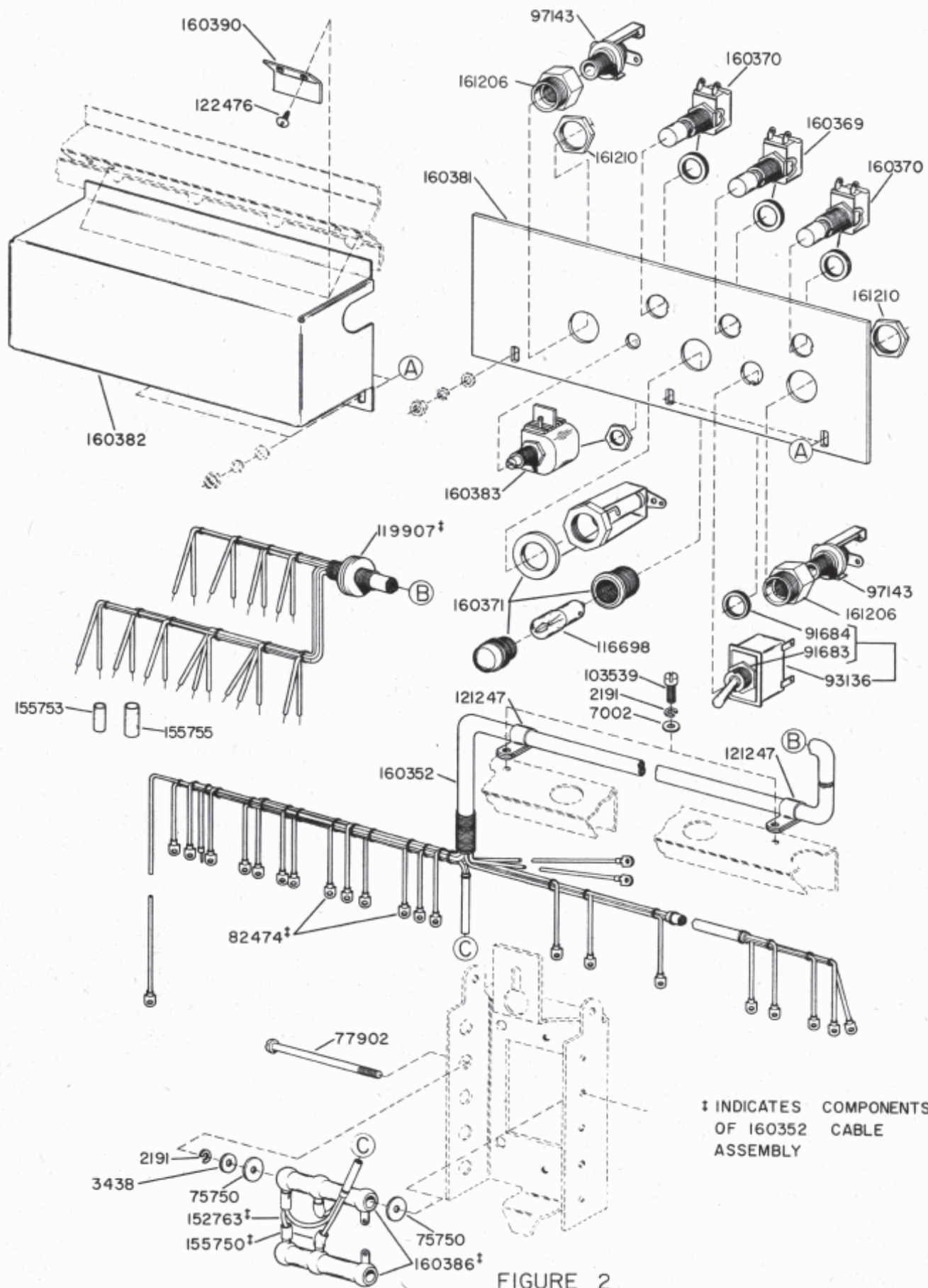


FIGURE 2

NUMERICAL INDEX - FIGURE 2

Part Number	Description
2191	Washer, Lock
3438	Washer, Flat
7002	Washer, Flat
75750	Insulator
77902	Screw 6-40 x 2-1/2 Rd.
82474	Terminal
91683	Nut 15/32-32 Hex.
91684	Nut 15/32-32 Knurled
93136	Switch, Toggle
97143	Jack
103539	Screw 6-40 x 5/16 Fil
116698	Lamp, 6 Volt
119907	Grommet, Rubber
121247	Clamp, Cable
122476	Screw, Self-Tapping #6
152763	Strap, Wire
155750	Sleeve, Insulating 3/32 I.D. x 1/2 Long
155753	Sleeve, Insulating 1/8 I.D. x 1/2 Long
155755	Sleeve, Insulating 5/32 I.D. x 5/8 Long
160352	Cable Assembly
160369	Switch, Push (Normally Open)
160370	Switch, Push (Normally Closed)
160371	Light, Pilot
160381	Panel, Control
160382	Cover
160383	Switch, Rotary
160386	Resistor - 1000 Ohm
160390	Bracket
161206	Insulator
161210	Nut 11/16-32 Hex.