

INSTRUCTIONS FOR INSTALLING THE 195837** MODIFICATION
KIT TO EQUIP THE MODEL 28 CABINETS, LAC202 OR ABOVE AND THE
LAAC200 SERIES WITH PAPER SUPPLY AND ACCUMULATING SHELF,
AND THE 179393** MODIFICATION KIT TO ADD ADJUSTABLE
FORM GUIDE TO THE 192260** AND 195837** PAPER
SUPPLY AND ACCUMULATING SHELF

Note: For Bell System Codes see Bulletin 1149B.

1. GENERAL

a. The 195837** modification kit provides facilities for storing a supply of forms that are being fed into a Model 28 Cabinet LAC202 and above and LAAC200 series and for accumulating forms that have been emitted by the printer set. The forms used may be any size from 3-5/8 to 11 inches in length and up to 9 inches in width.

b. The 179393** modification kit, when installed in the paper box shelf, provides an adjustable means for supporting sprocket feed forms which are less than 8-1/2 inches in width. The form guide may be adjusted for form widths from 9 inches to 3-5/8 inches.

c. The 195837** modification kit consists of:

6	2191	Lockwasher	1	192259** or 153834	Shelf, Paper
10	3598	Nut	1	195838**	Plate, Deflector
2	7002	Washer	1	195839**	Plate, Backstop
2	85559	Washer	1	195840**	Shelf, Paper Box
2	92687	Washer	1	153842	Clip, Paper Holder
2	100873	Screw	2	151657	Screw
2	151618	Screw	2	152426	Nut
2	151658	Screw			

d. The 179393** modification kit consists of:

2	3646	Lockwasher	1	179191**	Plate, Separator
2	55219	Screw	1	179192**	Base
2	119421	Washer, Flat	2	179392	Nut, Speed

e. The double asterisk (**) designates a two letter suffix which indicates the paint finish.

f. For part numbers referred to, for paint finishes available, and for parts ordering information, see Teletype Model 28 Printer Parts Bulletin 1149B.

2. INSTALLATION

a. 195837** modification kit (Figure 1)

(1) Assemble the parts as shown. Note that the 195839** backstop is mounted with the bent portion toward the rear and that the 195838** deflector plate is mounted on the bottom of the 192259** shelf.

(2) Set the backstop for the length of form used. The rearmost holes are for 11 inch forms and the holes are one inch apart to accommodate 11, 10, 9, 8, 7, 6, or 5 inch forms. Forms under 5 inches in length will accumulate properly when the backstop is set at the 5 inch length.

(3) Mount the paper shelf to the cabinet as follows:

(a) Remove the two 89515 screws and two 152797 plate retainers from the rear of the cabinet.

(b) Fasten the supply box to the cabinet with two 100873 shoulder screws, 85559 washers, 92687 washers, 2191 lockwashers, and 3598 nuts.

NOTE

If the supply box is to be removable, omit the 85559 washers.

(c) Slip the 153842 paper clip on the 195840 supply shelf between the cabinet and supply shelf approximately 5/16 inches from the right side as viewed from the rear and with the hook toward the inside of the shelf. A hole in the first form can be engaged with the hook of the paper clip. The first of the forms will then be readily accessible for feeding through the slot at the rear of the cabinet. Place the form supply box on the shelf provided when using stapled or unstapled form stationery. See Figures 1 and 2.

b. 179393** modification kit (Figure 2)

(1) Snap the 179392 speed nuts to the 179192** base so that the gripping portion of the nut fits in the embossed slot and the nut is inside the formed edges of the base.

(2) Slide the 179192** base into the 153837 paper box shelf (as viewed from the rear) with the embossed slots to the left and with the four formed ridges of the base resting on the bottom of the paper box. Push the base forward as far as possible.

(3) Mount the 179191** separator plate to the base, with the form to the left, using the two 55219 screws, two 3646 lockwashers and the two 119421 flat washers.

3. ADJUSTMENTS - For adjustment procedure refer to standardized adjustment information (for other than Bell System see Bulletin 217B). Make the following adjustments:

a. 195837** modification kit

Accumulating Shelf - The accumulating shelf must pivot freely on the supply box. To adjust, position the lock nuts so there is approximately 1/64 inch clearance between the nut and shelf. There shall be at least 1/4 inch clearance as gauged by eye between

the accumulated forms and the base of the 195838** deflector plate. To adjust position the 195839** backstop plate thru the elongated slots to meet this requirement. Then tighten the two 151658 mounting screws. This requirement applies to all forms from 11 thru 6 inches in length. Forms under 6 inches in length will accumulate properly when the backstop is set at the mid slot position (see Figure 1).

b. 179393** modification kit

Loosen the 179191 plate mounting screws. Position the plate to the desired form width, allowing approximately 1/4 inch between the plate and the forms during form feeding. Tighten the mounting screws.

* * *

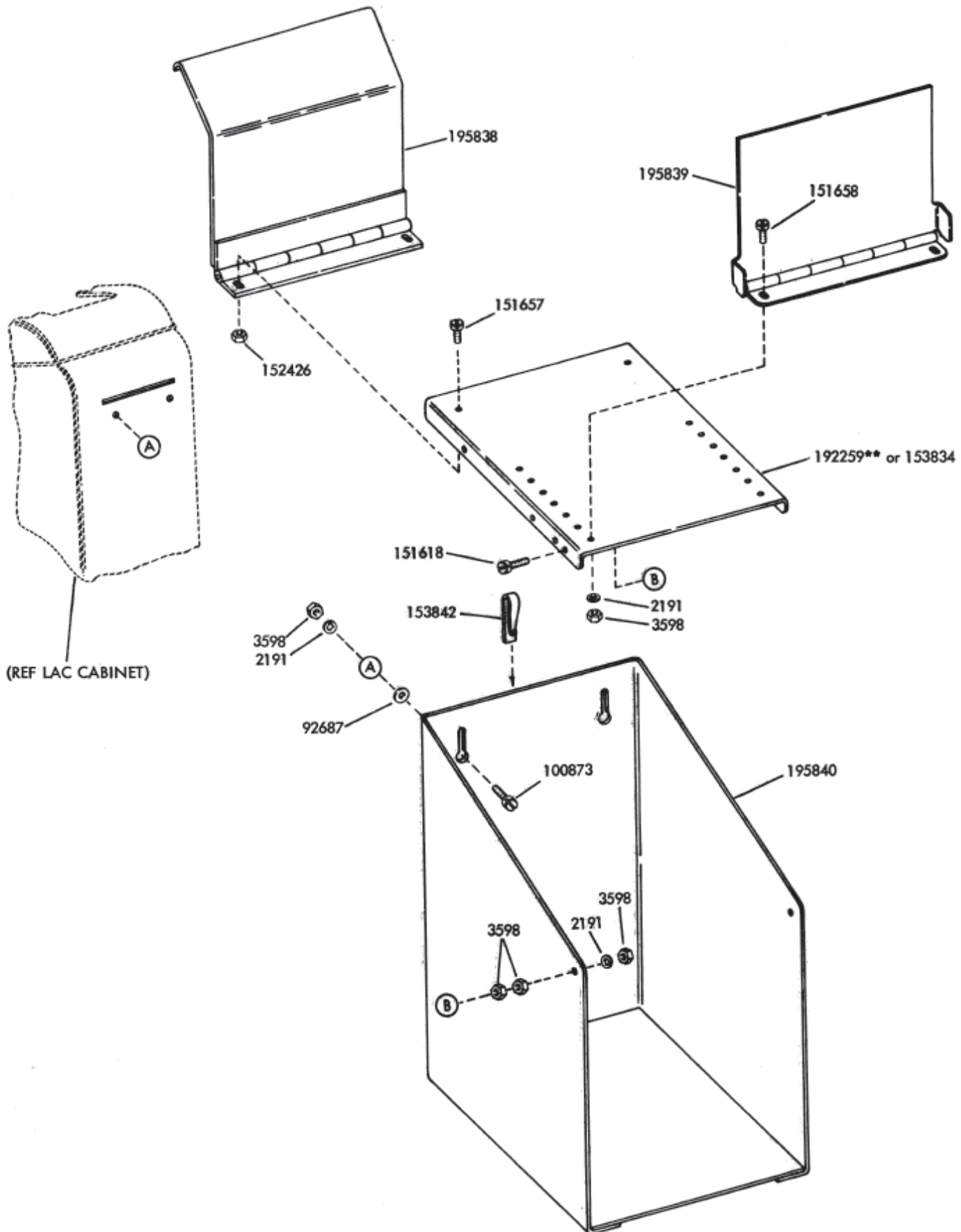
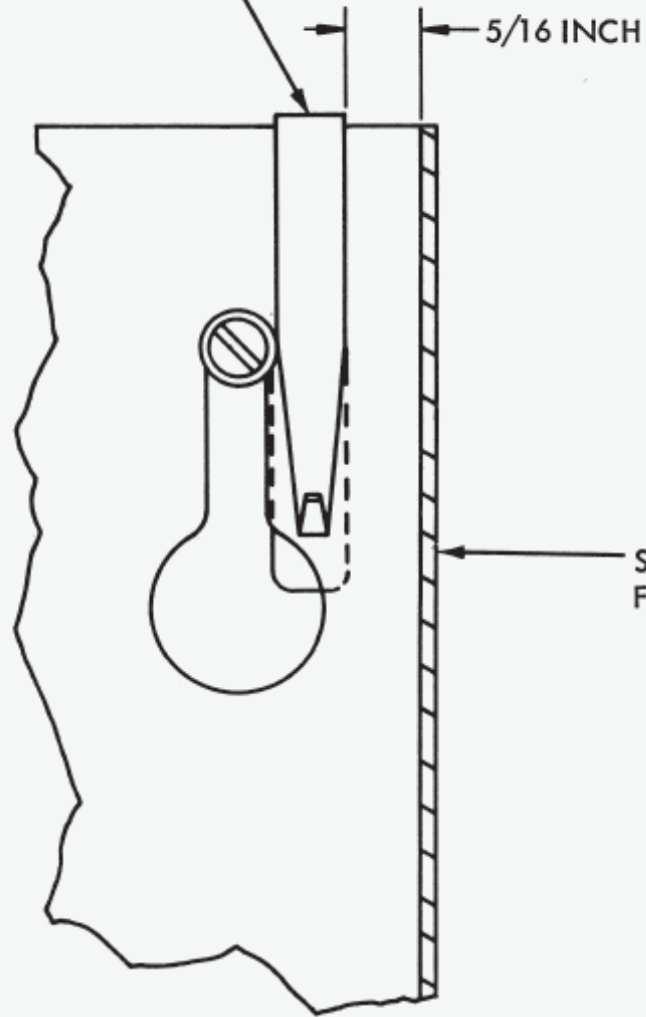


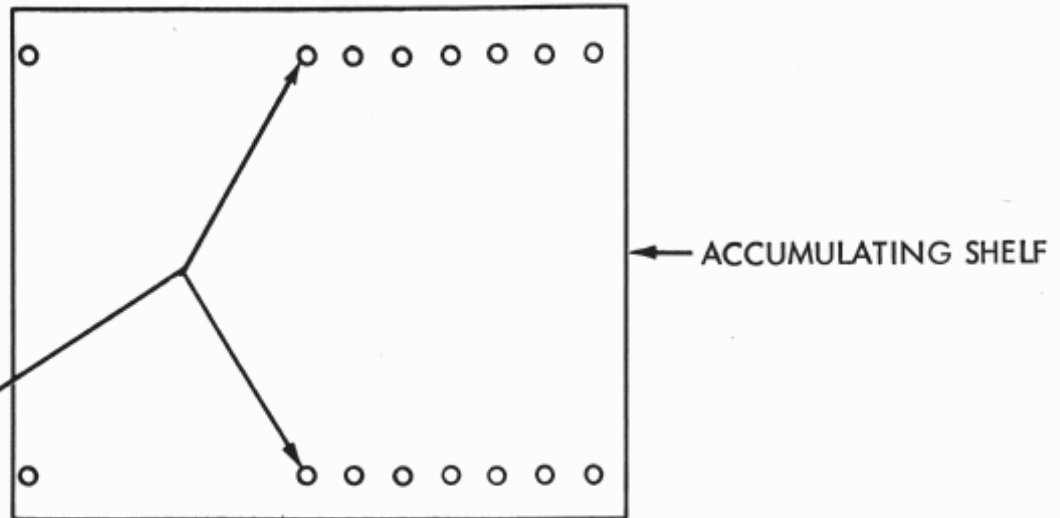
Figure 1. 195837** MODIFICATION KIT TO PROVIDE PAPER SUPPLY AND ACCUMULATING SHELF

153842 PAPER HOLDER CLIP

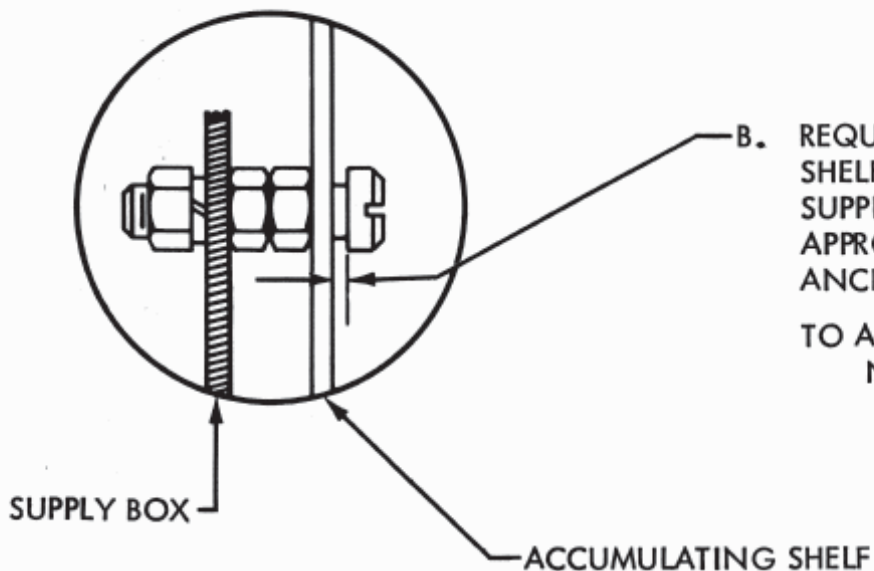


SUPPLY SHELF AS VIEWED FROM REAR

Figure 2 . MOUNTING OF 153842 PAPER CLIP



- A. SET THE BACKSTOP FOR THE LENGTH OF FORM USED. THE BACKSTOP SHOULD BE ADJUSTED TO PROVIDE A MAXIMUM CLEARANCE OF 1/4" BETWEEN THE FORMS AND THE 195839 BACKSTOP (CHECK WITH THE FORMS IN CONTACT WITH THE 195838 DEFLECTOR PLATE).



- B. REQUIREMENT: THE ACCUMULATING SHELF SHOULD PIVOT FREELY ON THE SUPPLY BOX. THERE SHOULD BE APPROXIMATELY 1/64 INCH CLEARANCE.

TO ADJUST: POSITION THE TWO LOCK NUTS TO MEET THE REQUIREMENT.

Figure 3. ACCUMULATING SHELF ADJUSTMENTS

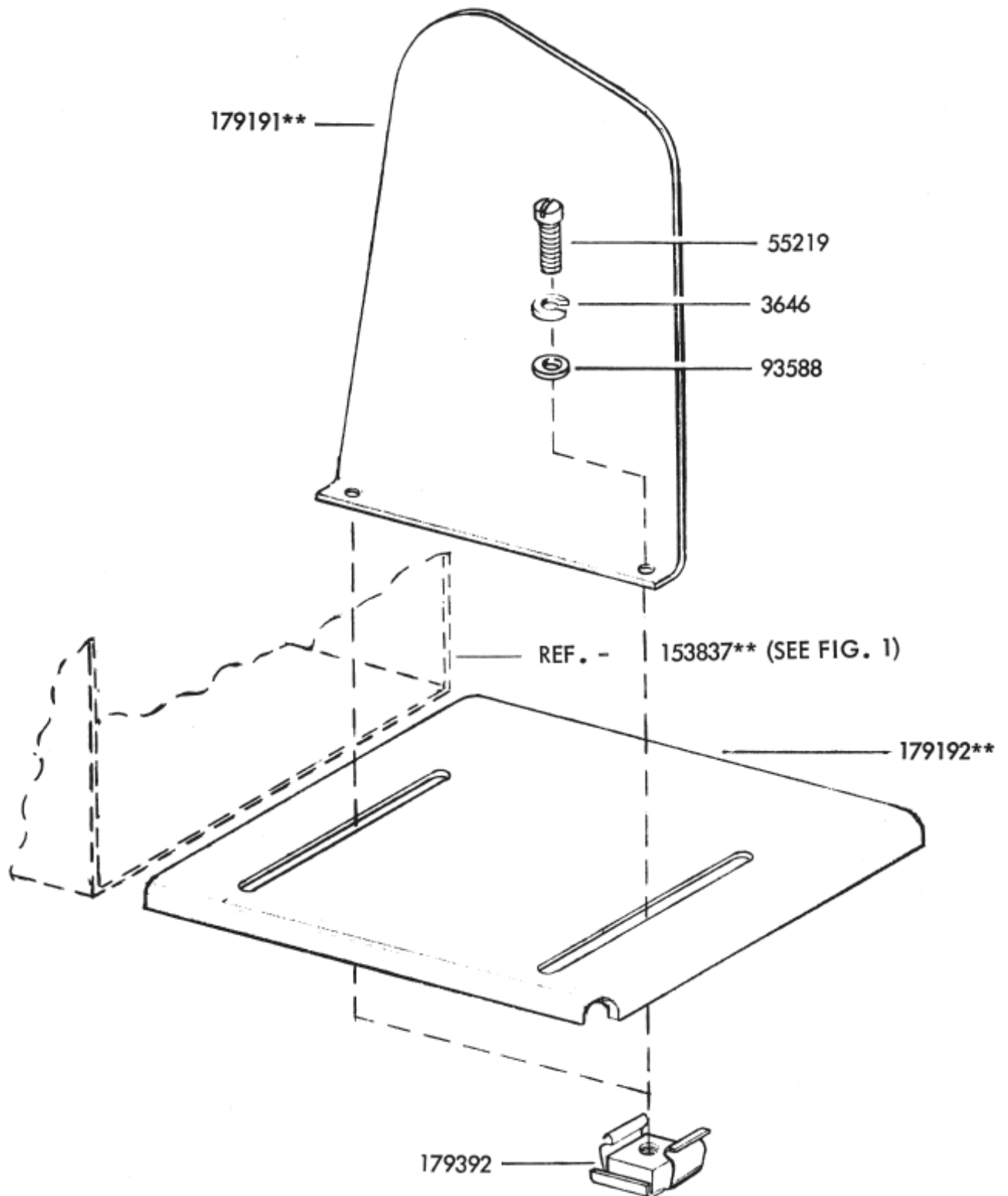


Figure 4. 179393** Modification Kit to Add Adjustable Form Guide To The 152349**, 192260** and 195837** Paper Supply and Accumulating Shelf.