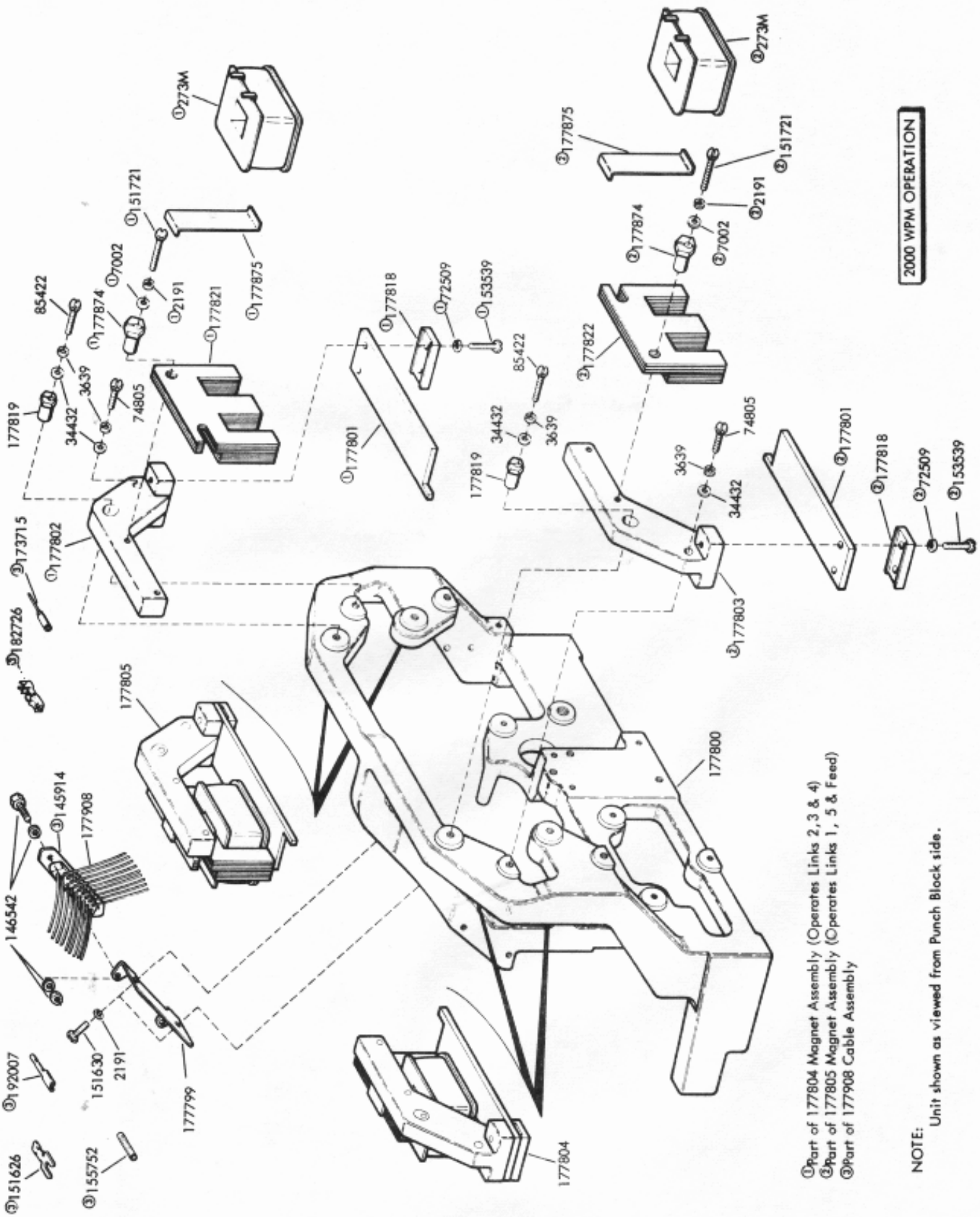


HIGH SPEED TAPE PUNCH (DRPE)
PARTS

Figure	Contents	Page
1	Main Frame and Magnet Assemblies without Silencing Bumpers (5 Level)	2
2	Main Frame and Magnet Assemblies with Silencing Bumpers (5 and 8 Level)	3
3	Punch Block and Feed Mechanism (5 and 8 Level)	4
4	Main Frame and Magnet Assemblies with Silencing Bumpers (6 and 8 Level)	5
5	Punch Block and Feed Mechanism (6 and 8 Level)	6
6	Punch Block with Verifier and Tape Guides for Back-up Mechanism	7
7	Feed Drive Mechanism	8
8	Electrical Components	9
9	Electrical Components	10
10	320377 Front Plate Assembly for Back-up Mechanism	11
11	320378 (Intermediate) and 320380 (Drive) Shaft Assemblies	12
12	320376 Rear Plate Assembly for Back-up Mechanism	13
13	Light Source Assembly	14
	Numerical Index	15



2000 WPM OPERATION

- ① Part of 177804 Magnet Assembly (Operates Links 2, 3 & 4)
- ② Part of 177805 Magnet Assembly (Operates Links 1, 5 & Feed)
- ③ Part of 177908 Cable Assembly

NOTE:
Unit shown as viewed from Punch Block side.

FIGURE 1. MAIN FRAME AND MAGNET ASSEMBLIES WITHOUT SILENCING BUMPERS (5 Level)

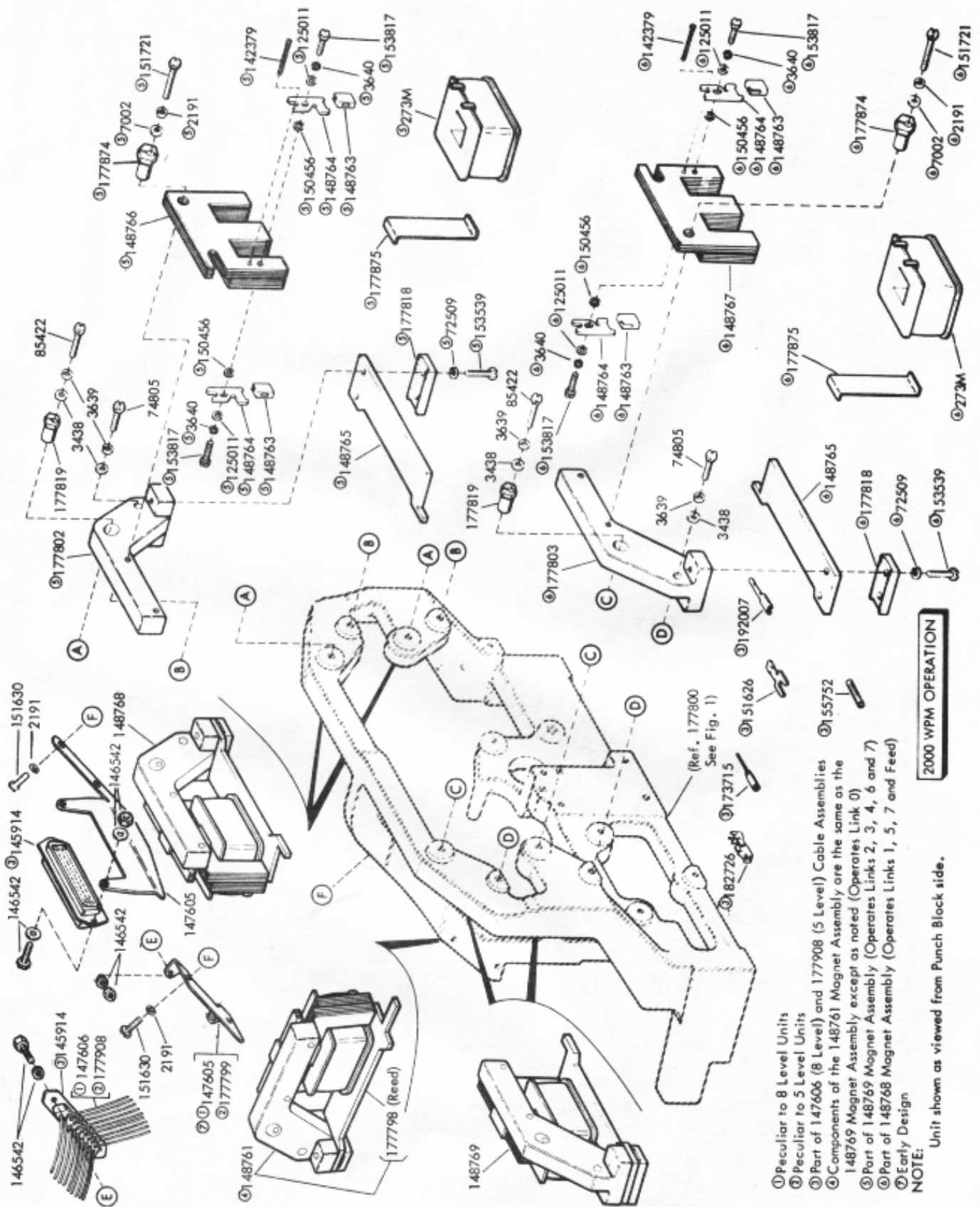


FIGURE 2. MAIN FRAME AND MAGNET ASSEMBLIES WITH SILENCING BUMPERS (5 and 8 Level)

- ① Peculiar to 8 Level Units
- ② Peculiar to 5 Level Units
- ③ Part of 147606 (8 Level) and 177908 (5 Level) Cable Assemblies
- ④ Components of the 148761 Magnet Assembly are the same as the 148769 Magnet Assembly except as noted (Operates Link 0)
- ⑤ Part of 148769 Magnet Assembly (Operates Links 2, 3, 4, 6 and 7)
- ⑥ Part of 148768 Magnet Assembly (Operates Links 1, 5, 7 and Feed)
- ⑦ Early Design

2000 WPM OPERATION

NOTE: Unit shown as viewed from Punch Black side.

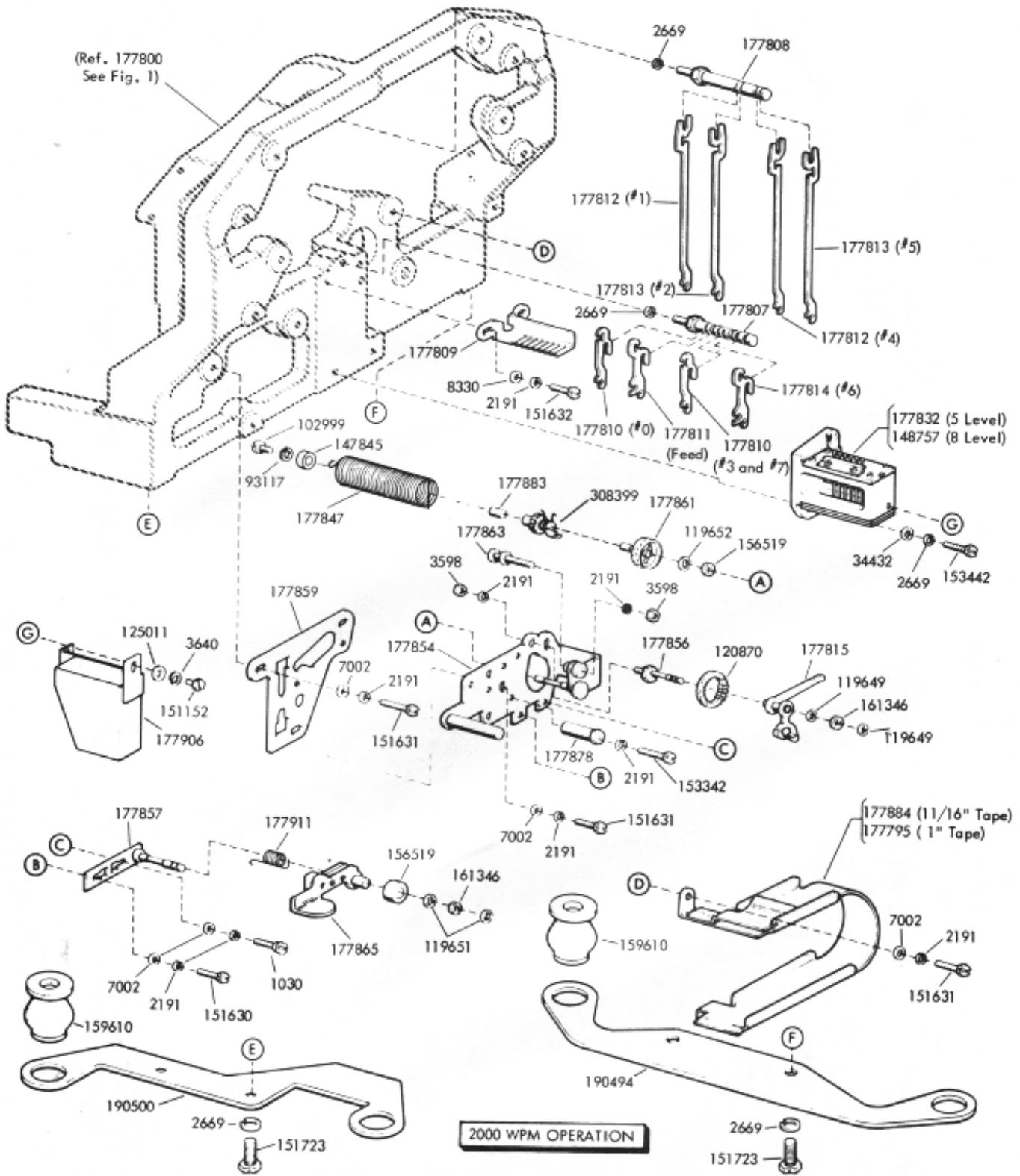


FIGURE 3. PUNCH BLOCK AND FEED MECHANISM (5 and 8 Level)

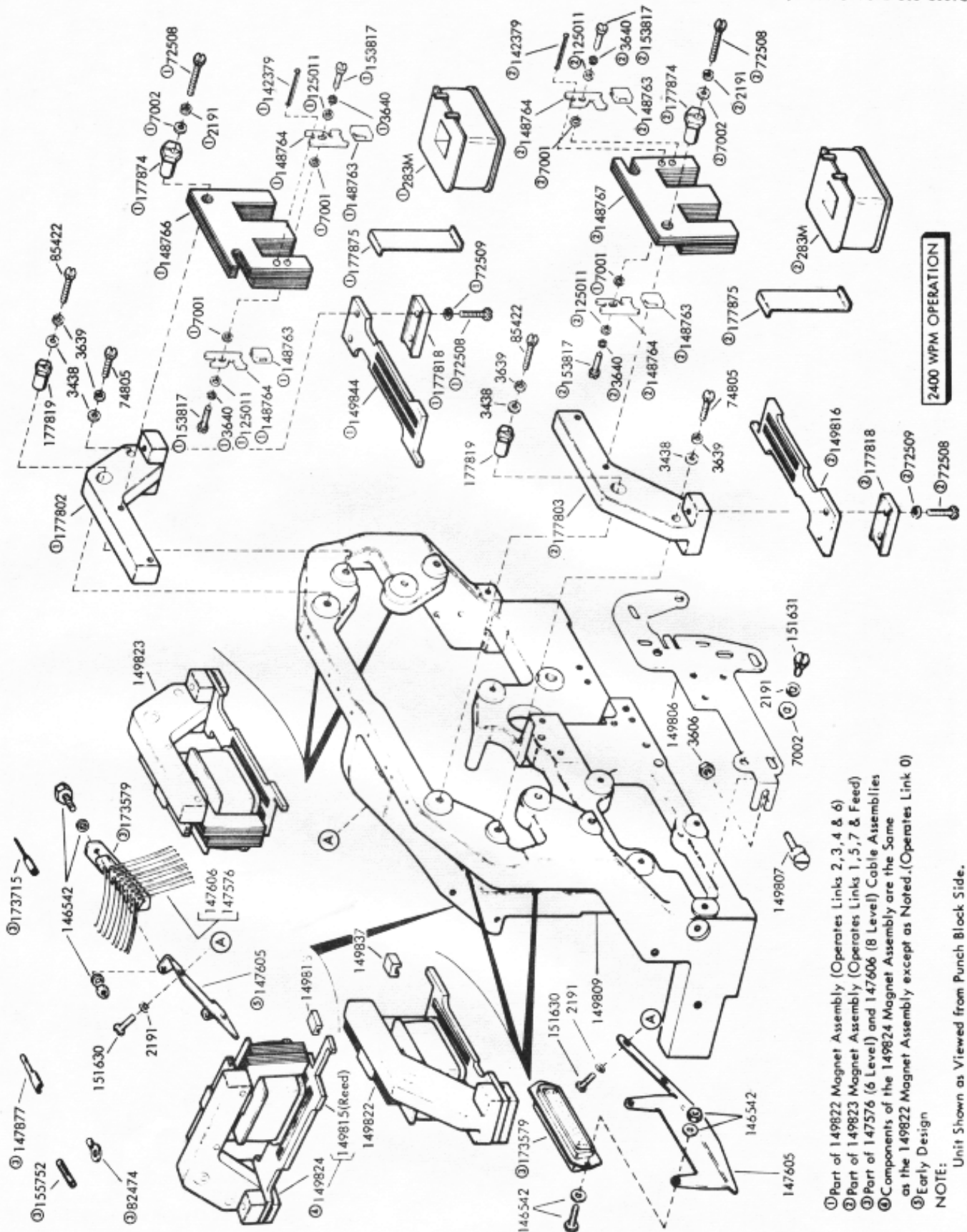


FIGURE 4. MAIN FRAME AND MAGNET ASSEMBLIES WITH SILENCING BUMPERS (6 and 8 Level)

- ① Part of 149822 Magnet Assembly (Operates Links 2, 3, 4 & 6)
- ② Part of 149823 Magnet Assembly (Operates Links 1, 5, 7 & Feed)
- ③ Part of 147576 (6 Level) and 147606 (8 Level) Cable Assemblies
- ④ Components of the 149824 Magnet Assembly are the Same as the 149822 Magnet Assembly except as Noted. (Operates Link 0)
- ⑤ Early Design

2400 WPM OPERATION

NOTE: Unit Shown as Viewed from Punch Block Side.

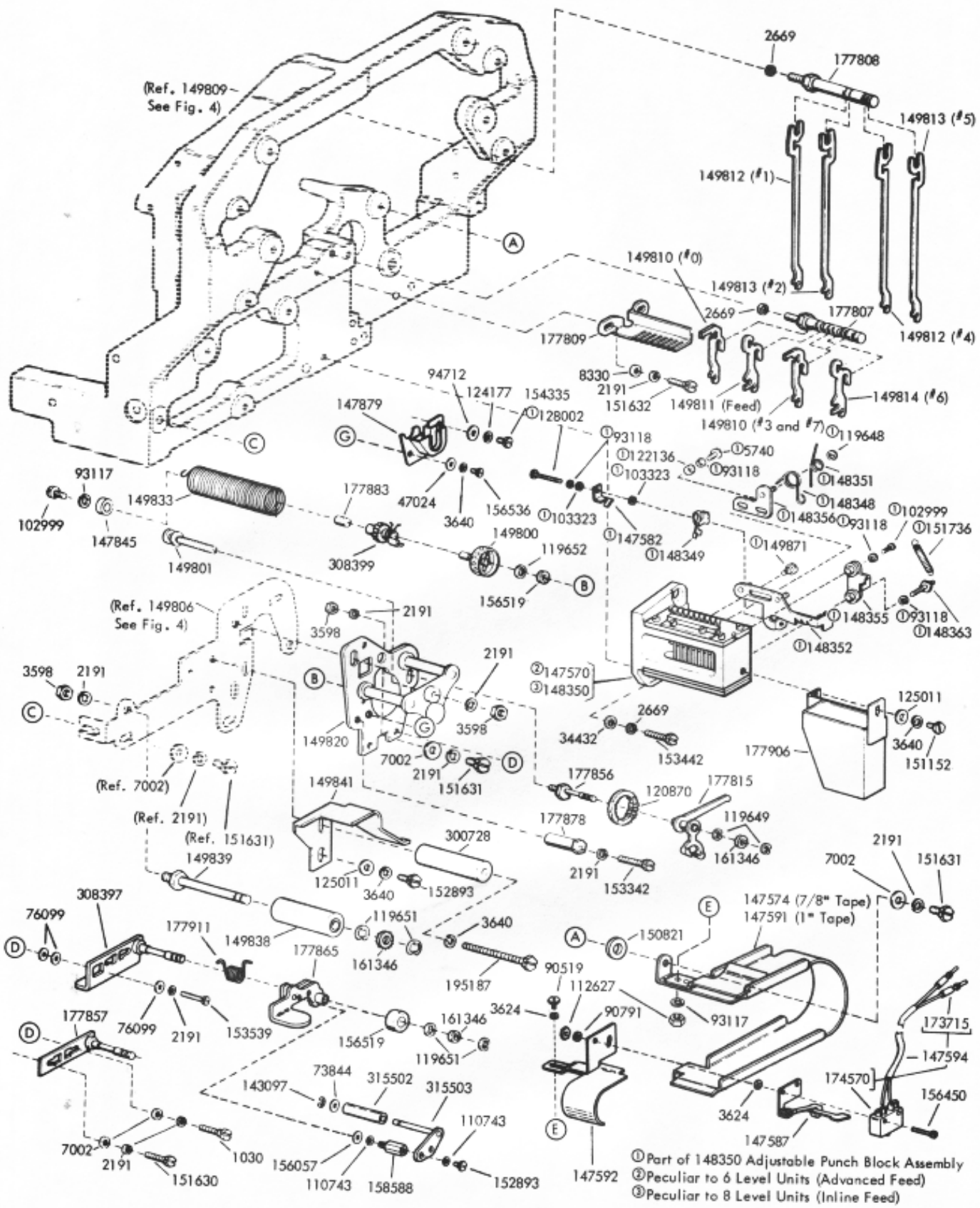
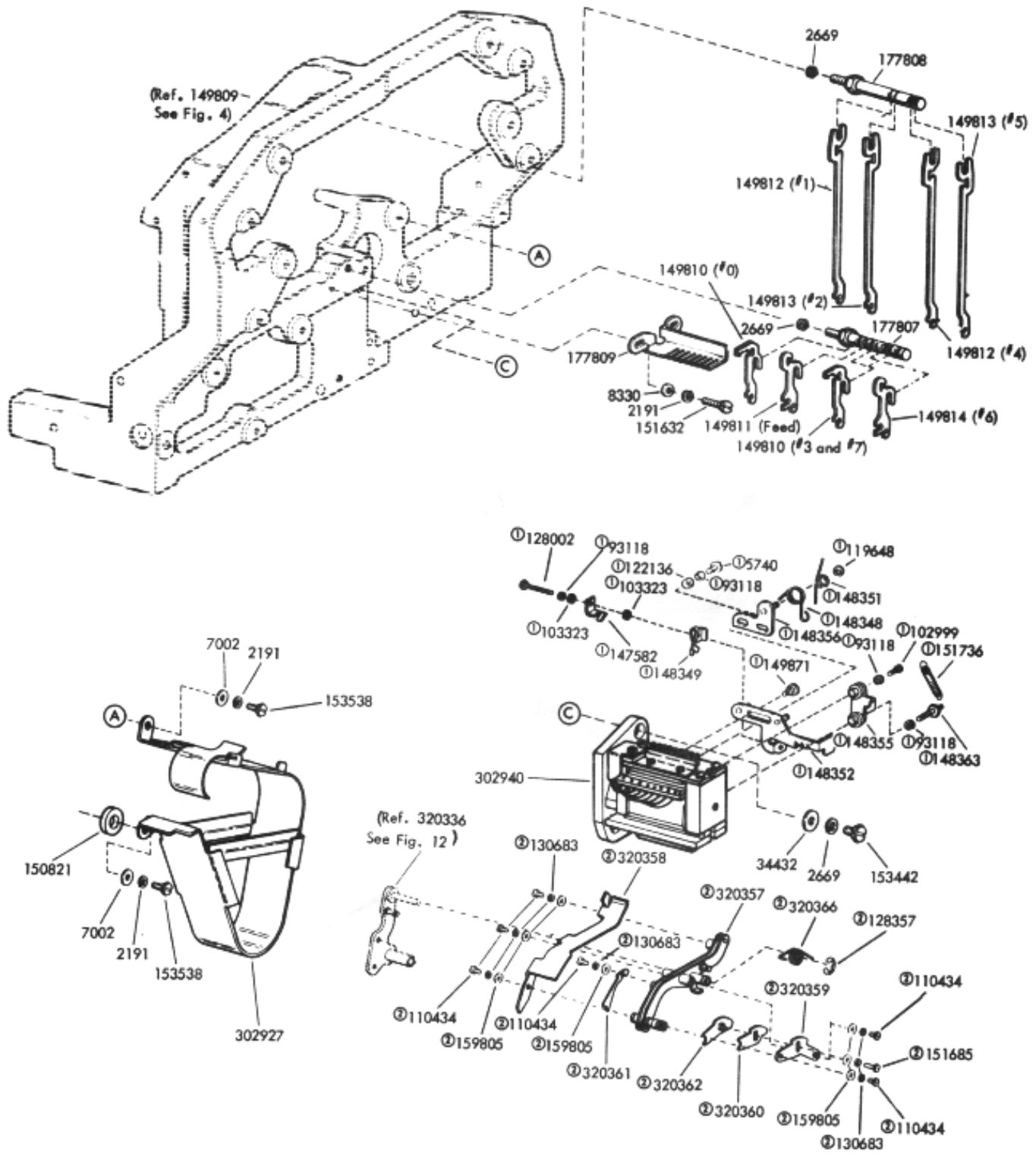


FIGURE 5. PUNCH BLOCK AND FEED MECHANISM (6 and 8 Level)



① Part of 302940 Punch Block Assembly w/verifier
 ② 320385 Tape Guide Assembly for Back-up Mechanism

FIGURE 6. PUNCH BLOCK WITH VERIFIER AND TAPE GUIDES FOR BACK-UP MECHANISM

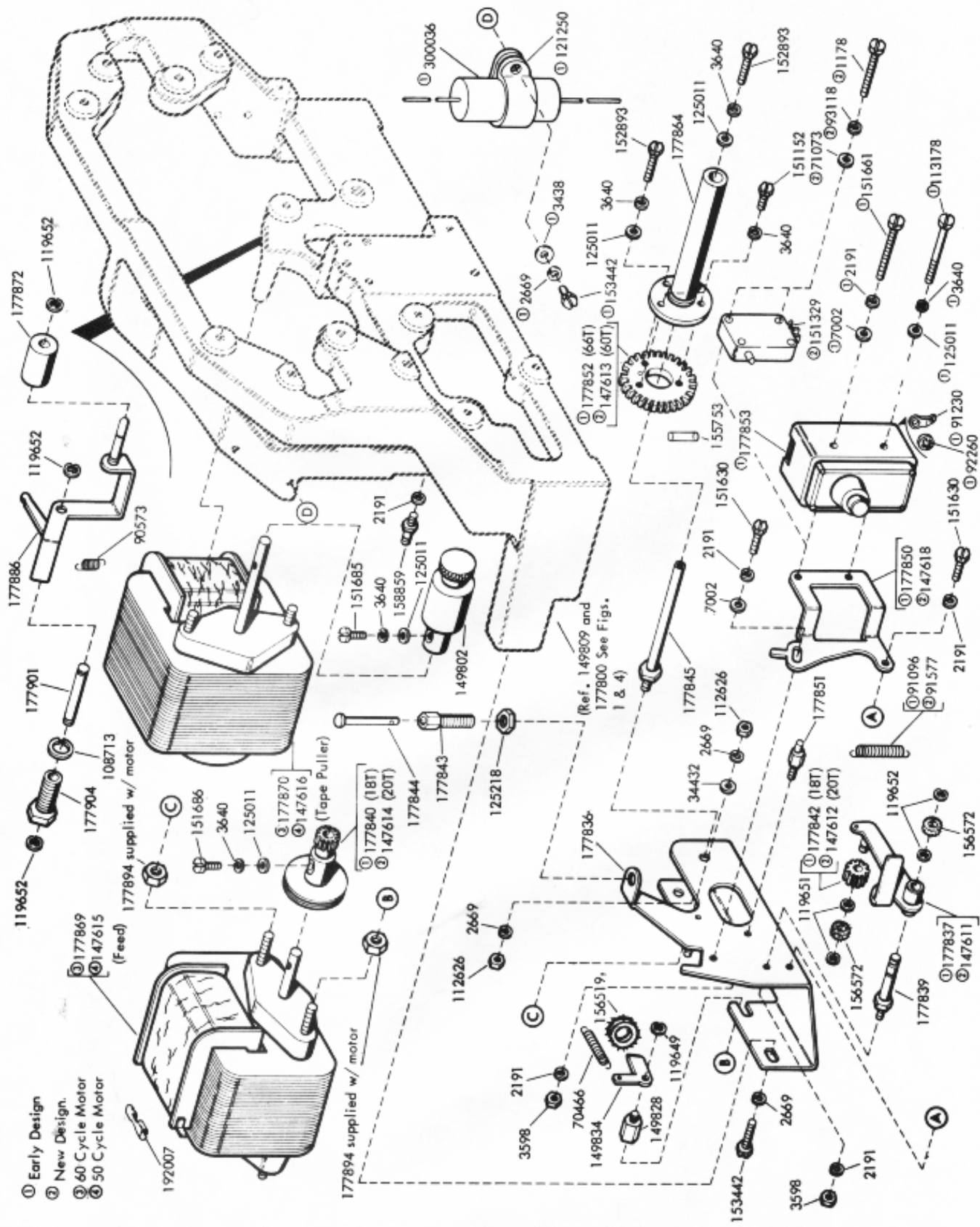


FIGURE 7. FEED DRIVE MECHANISM

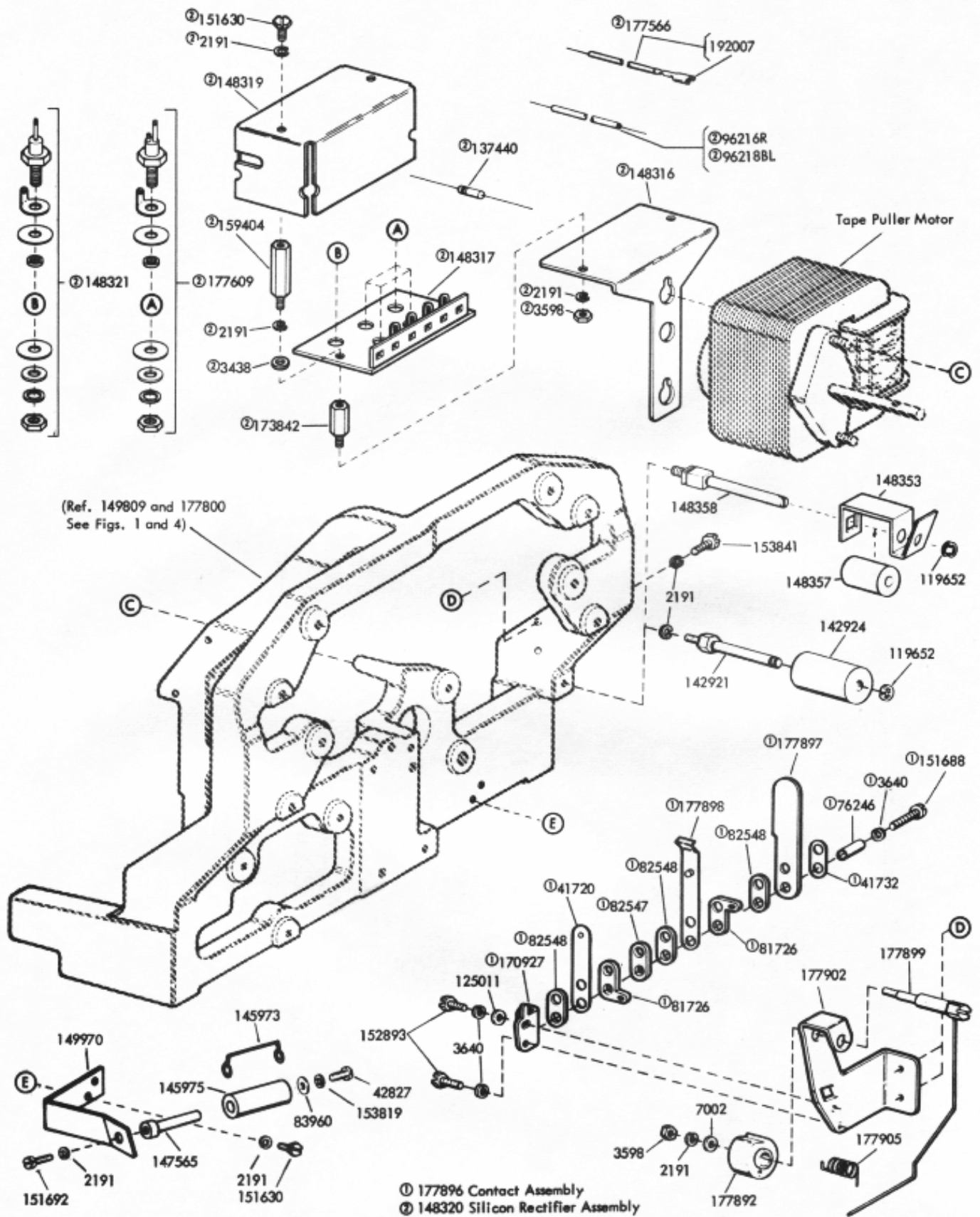


FIGURE 8. ELECTRICAL COMPONENTS

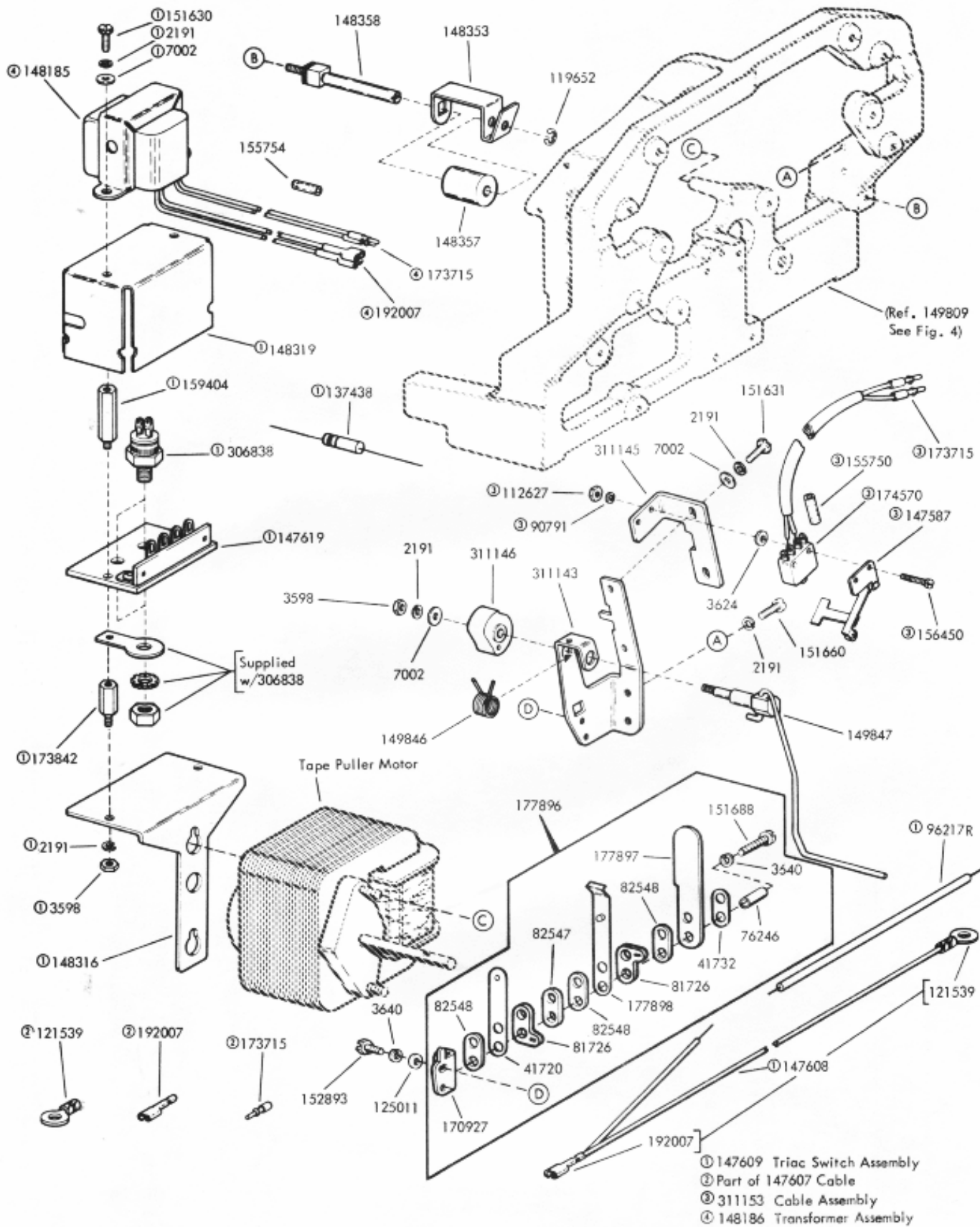


FIGURE 9. ELECTRICAL COMPONENTS

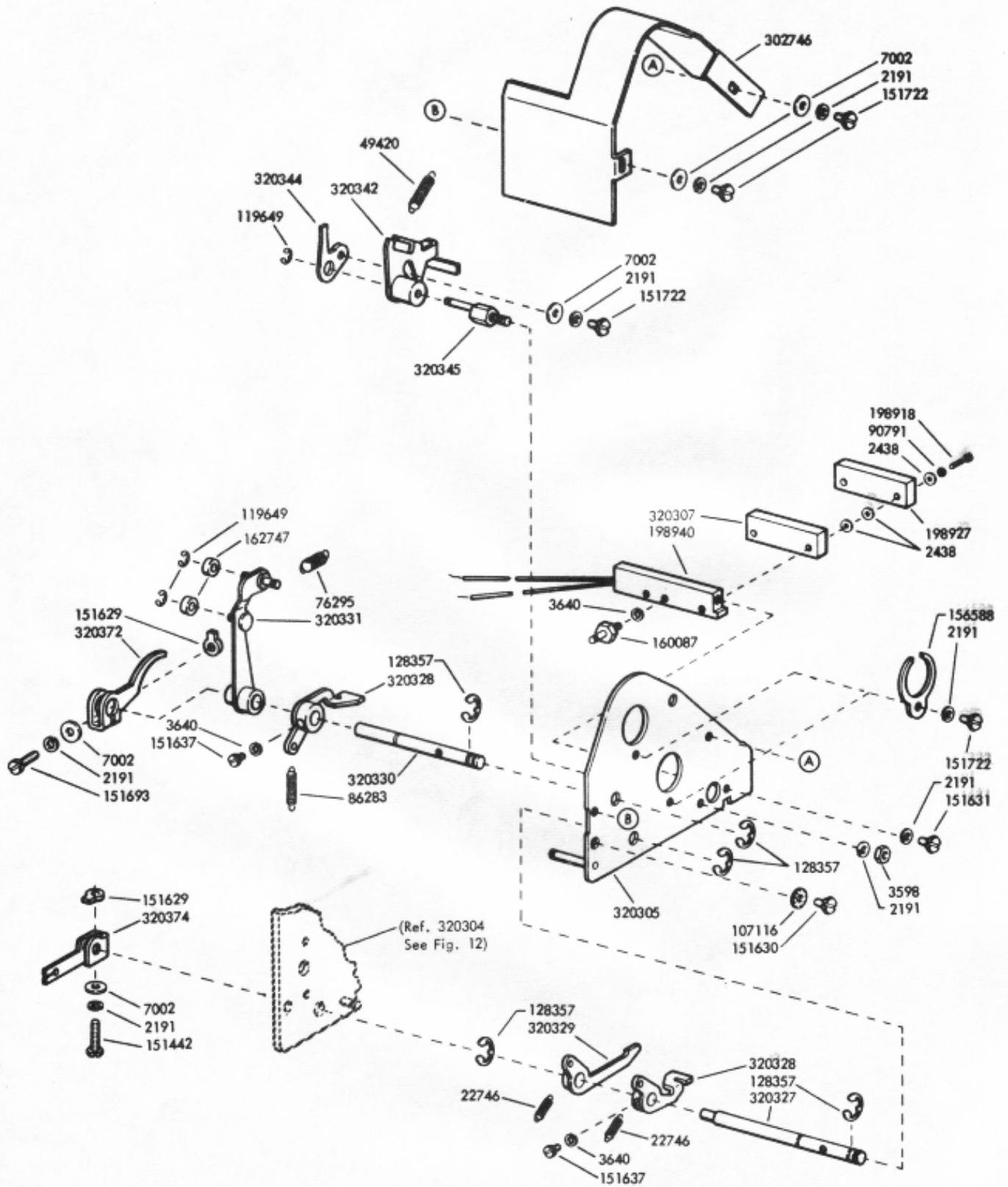


FIGURE 10. 320377 FRONT PLATE ASSEMBLY FOR BACK-UP MECHANISM

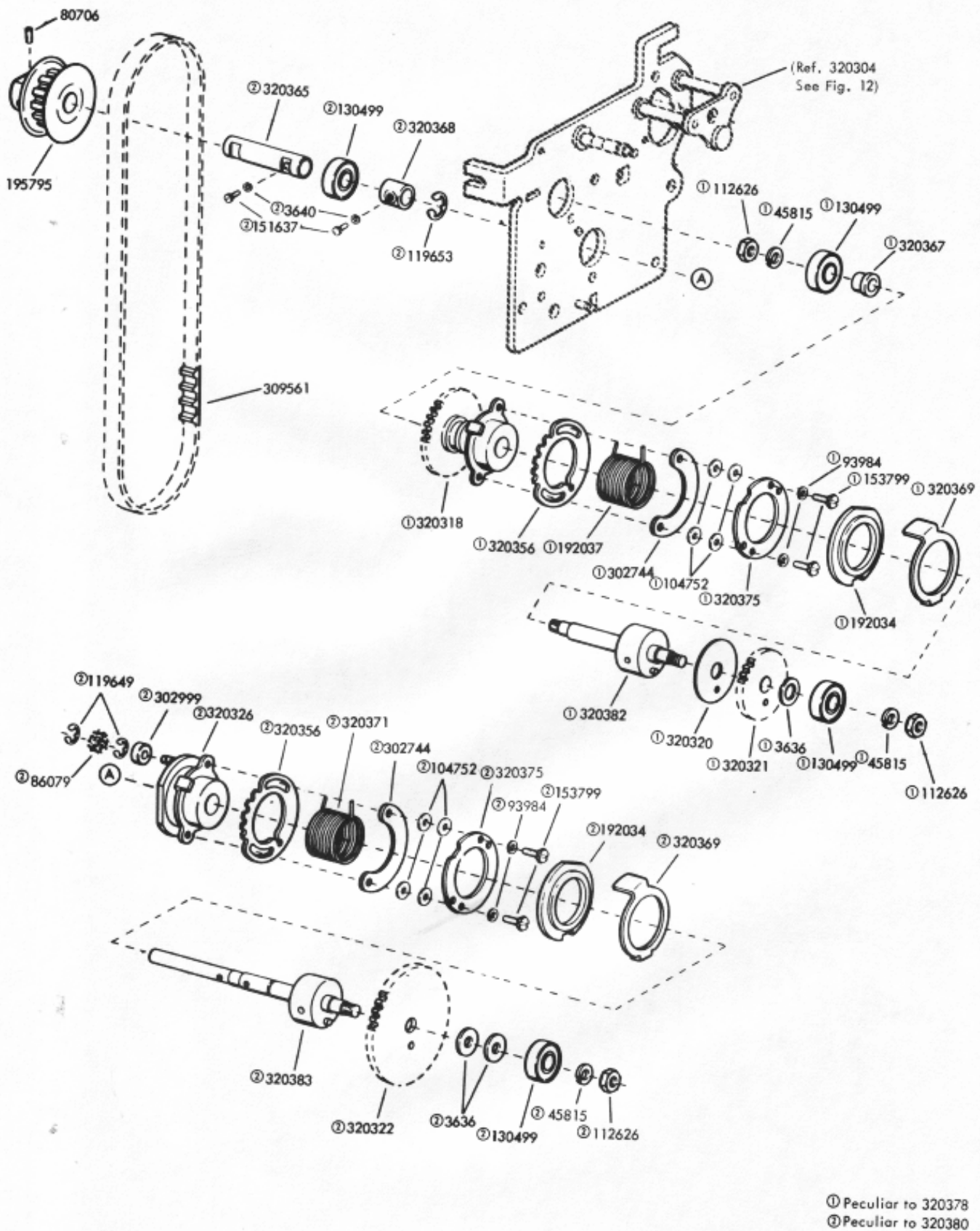


FIGURE 11. 320378 (INTERMEDIATE) AND 320380 (DRIVE) SHAFT ASSEMBLIES

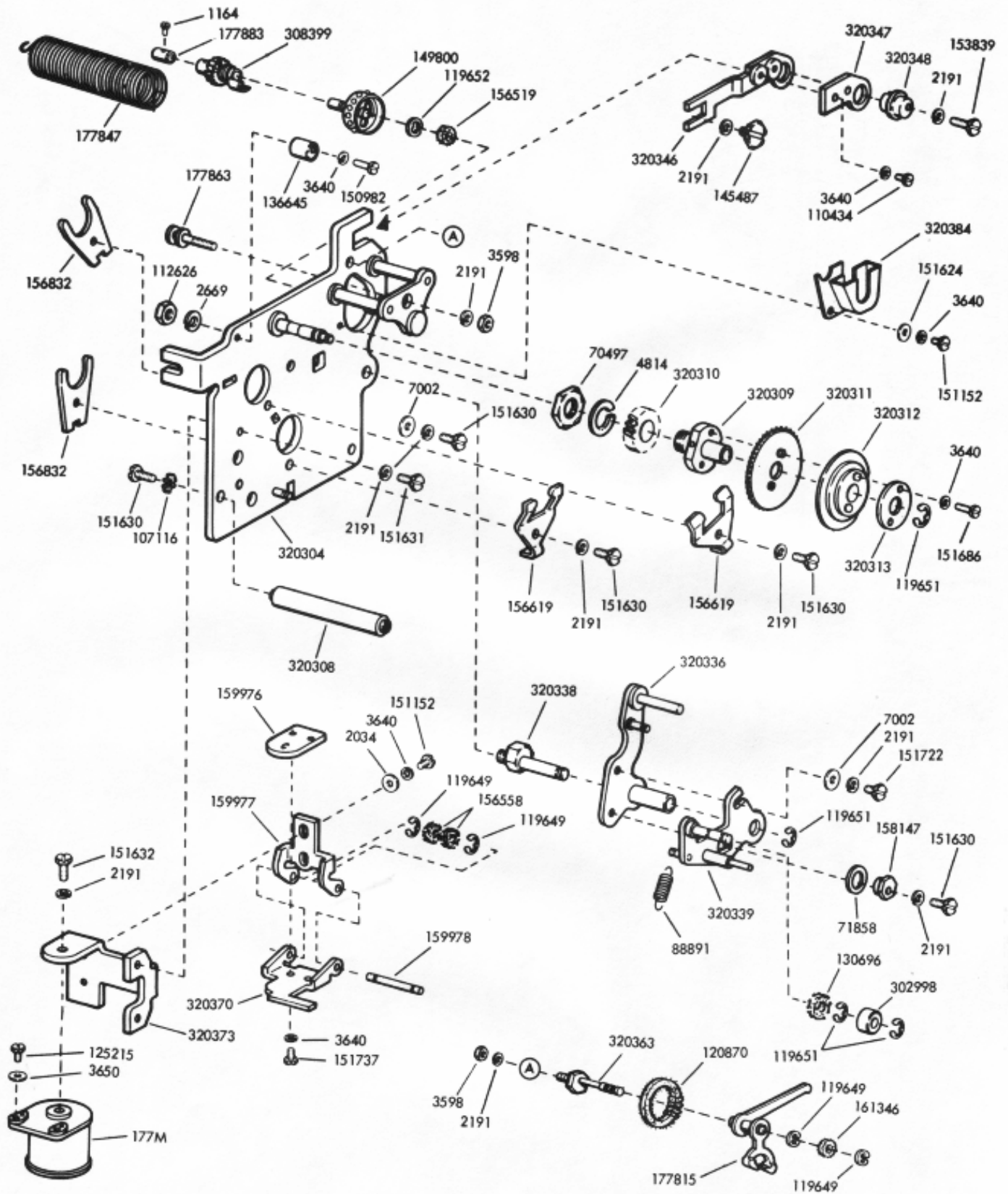


FIGURE 12. 320376 REAR PLATE ASSEMBLY FOR BACK-UP MECHANISM

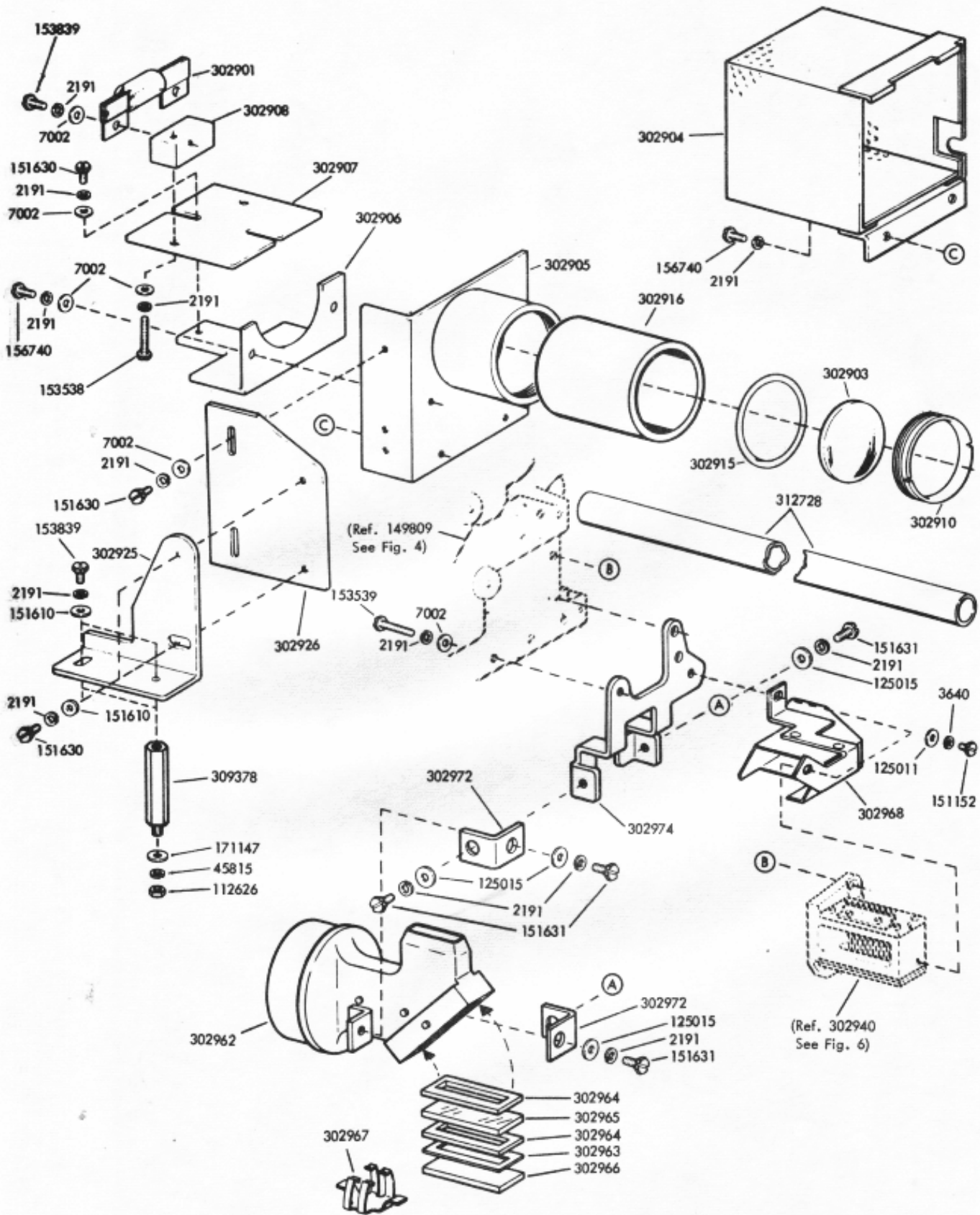


FIGURE 13. LIGHT SOURCE ASSEMBLY

NUMERICAL INDEX

Part Number	Description and Page Number	Part Number	Description and Page Number	Part Number	Description and Page Number
177M	Coil, Magnet 13	102999	Screw, 2-56 x 5/32 Fil 4, 6, 7	147845	Bushing 4, 6
273M	Coil, Magnet 2, 3	103323	Washer, Flat 6, 7	147877	Terminal, Receptacle Type 5
283M	Coil, Magnet 5	104752	Washer, Flat 12	147879	Retainer w/Plate 6
1030	Screw, 6-40 Shoulder 4, 6	107116	Washer, Lock 11, 13	148185	Transformer 10
1164	Screw, 2-56 x 3/16 Fil 13	108713	Washer, Lock 8	148186	Transformer Assembly 10
1178	Screw, 2-56 x 7/16 Fil 8	110434	Screw, 4-40 x 3/16 Fil 7, 13	148316	Bracket 9, 10
2034	Washer, Flat 13	110743	Washer, Lock 6	148317	Plate, Mounting 9
2191	Washer, Lock 2 to 11, 13, 14	112626	Nut, 10-32 Hex 8, 12, 13, 14	148319	Cover 9, 10
2438	Washer, Flat 11	112627	Nut, 2-56 Hex 6, 10	148320	Rectifier Assembly, Silicone 9
2669	Washer, Lock 4, 6, 7, 8, 13	113178	Screw, 4-40 x 1 Fil 8	148321	Rectifier 9
3438	Washer, Flat 3, 5, 8, 9	119648	Ring, Retaining 6, 7	148348	Spring, Torsion 6, 7
3598	Nut, 6-40 Hex 4, 6, 8 to 11, 13	119649	Ring, Retaining 4, 6, 8, 11, 12, 13	148349	Spring, Bias 6, 7
3606	Nut, 6-40 Hex 5	119651	Ring, Retaining 4, 6, 8, 13	148350	Block Assembly, Punch 6
3624	Washer, Flat 6, 10	119652	Ring, Retaining 4, 6, 8, 9, 10, 13	148351	Spring, Torsion 6, 7
3636	Washer, Flat 12	119653	Ring, Retaining 12	148352	Lever 6, 7
3639	Washer, Lock 2, 3, 5	120870	Wick, Felt 4, 6, 13	148353	Guide, Tape 9, 10
3640	Washer, Lock 3 to 6, 8 to 14	121250	Clamp, 3/4 ID 8	148355	Bracket w/Hub 6, 7
3650	Washer, Flat 13	121539	Terminal 10	148356	Bracket w/Post 6, 7
4814	Washer, Lock 13	122136	Spacer, .040" Thk 6, 7	148357	Roller 9, 10
5740	Screw, 2-56 x 1/4 Fil 6, 7	122177	Washer, Lock 6	148358	Post 9, 10
7001	Washer, Flat 5	124177	Washer, Lock 6	148363	Post, Spring 6, 7
7002	Washer, Flat 2 to 11, 13, 14	125011	Washer, Flat 3 to 6, 8 to 10, 14	148757	Block Assembly, Punch 4
8330	Washer, Flat 4, 6, 7	125015	Washer, Flat 14	148761	Magnet Assembly, "O" 3
22746	Spring 11	125215	Screw, 4-40 x 3/16 Hex 13	148763	Bumper, Rubber 3, 5
34432	Washer, Flat 2, 4, 6, 7, 8	125218	Nut, 1/4-32 Hex 8	148764	Plate, Bumper 3, 5
41720	Spring, Contact 9, 10	128002	Screw, 2-56 x 3/16 Fil 6, 7	148765	Reed 3
41732	Plate, Clamp 9, 10	128357	Ring, Retaining 7, 11	148766	Core, Right 3, 5
42827	Screw, 3-48 x 1/4 Fil 9	130499	Bearing, Ball 12	148767	Core, Left 3, 5
45815	Washer, Lock 12, 14	130683	Washer, Lock 7	148768	Magnet Assembly, Left 3
47024	Washer, Flat 6	130696	Washer, Felt 13	148769	Magnet Assembly, Right 3
49420	Spring 11	136645	Bushing, Eccentric 13	149800	Wheel, Feed 6, 13
70466	Spring 8	137438	Resistor, 100 Ohm 10	149801	Screw, 6-40 Adjusting 6
70497	Nut, 5/16-32 Hex 13	137440	Resistor, 1,000 Ohm 9	149802	Roller, Drive 8
71073	Washer, Flat 8	142921	Pin, Roll 3, 5	149806	Plate, Rear 5, 6
71858	Washer, Flat 13	142921	Stud 9	149807	Post, Adjusting 5
72508	Screw, 6-40 x 3/4 Hex 5	142924	Roller 9	149809	Frame 5, 6, 7, 8, 9, 10, 14
72509	Washer, Lock 2, 3, 5	143097	Ring, Retaining 6	149810	Link, #0, #3, and #7 6, 7
73844	Washer, Flat 6	145487	Screw, 6-40 Shoulder 13	149811	Link, Feed Pin 6, 7
74805	Screw, 10-32 x 3/4 Hex 2, 3, 5	145914	Connector, 25 Pt Plug Type 2, 3	149812	Link, #1 and #4 6, 7
76099	Washer, Flat 6	145973	Guide, Tape 9	149813	Link, #2 and #5 6, 7
76246	Bushing, Insulating 9, 10	145975	Roller, Tape Guide 9	149814	Link, #6 6, 7
76295	Spring 11	146542	Post Assembly 2, 3, 5	149815	Reed, "0" 5
80706	Screw, 6-40 Set 12	147565	Post 9	149816	Reed, Left 5
81726	Terminal 9, 10	147570	Block Assembly, Punch 6	149818	Damper, Link 5
82474	Terminal 5	147574	Guide, Tape 6	149820	Plate, Feed Wheel 6
82547	Insulator, .094" Thk 9, 10	147576	Cable Assembly 5	149822	Magnet Assembly, Right 5
82548	Insulator, .062" Thk 9, 10	147582	Stop, Bias Spring 6, 7	149823	Magnet Assembly, Left 5
83960	Washer, Flat 9	147587	Actuator 6, 10	149824	Magnet Assembly, "0" 5
85422	Screw, 10-32 x 15/16 Hex 2, 3, 5	147591	Guide, Tape 6	149828	Post, Pawl 8
86079	Washer, Felt 12	147592	Guide, Tape 6	149833	Spring, Drive 6
86283	Spring 11	147594	Cable Assembly 6	149834	Pawl, Brake 8
88891	Spring 13	147605	Bracket, Connector 3, 5	149837	Damper, Link 5
90519	Screw, 2-56 x 3/16 Hex 6	147606	Cable Assembly 3, 5	149838	Roller 6
90573	Spring 8	147607	Cable w/Terminals 10	149839	Stud, Roller 6
90791	Washer, Lock 6, 10, 11	147608	Jumper, 7" Blue 10	149841	Guide, Tape 6
91096	Spring 8	147609	Switch Assembly, Triac 10	149844	Reed, Right 5
91230	Terminal 8	147611	Lever w/Hub 8	149846	Spring, Torsion 10
91577	Spring 8	147612	Pinion, 20T 8	149847	Arm, Tape Sensing 10
92260	Washer, Lock 8	147613	Gear, 60T 8	149871	Screw, 2-56 Shoulder 6, 7
93117	Washer, Lock 4, 6	147614	Pinion, 20T 8	149970	Bracket, Tape Guide 9
93118	Washer, Lock 6, 7, 8	147615	Motor, 115V AC Shaded Pole 2710 RPM 8	150456	Spacer, .050" Thk 3
93984	Washer, Lock 12	147616	Motor, 115V AC Shaded Pole 2710 RPM 8	150821	Spacer, .156" Thk 6, 7
94712	Washer, Flat 6	147618	Plate, Adjusting 8	150982	Screw, 4-40 x 7/16 Fil 13
96216	Jumper, 6" Red 9	147619	Plate w/Terminal Strip 10	151152	Screw, 4-40 x 3/16 Hex 4, 6, 8, 13, 14
96217	Jumper, 6-1/2" Red 10			151329	Switch, Sensitive 8
96218	Jumper, 7" Blue 9			151442	Screw, 6-40 x 1/2 Hex 11

NUMERICAL INDEX (Continued)

Part Number	Description and Page Number	Part Number	Description and Page Number	Part Number	Description and Page Number
151610	Washer, Flat 14	170927	Bracket, Contact 9, 10	177899	Arm, Tape Sensing 9
151624	Spacer, .072" Thk 13	171147	Washer, Flat 14	177901	Shaft 8
151626	Terminal 2, 3	173579	Connector, 50 Pt Plug Type 5	177902	Bracket, Contact 9
151629	Nut, 6-40 Lug 11	173715	Terminal, Plug Type 2, 3, 5, 6, 10	177904	Bushing 8
151630	Screw, 6-40 x 1/4 Hex 2 to 6, 8 to 11, 13, 14	173842	Stud 9, 10	177905	Spring, Torsion 9
151631	Screw, 6-40 x 5/16 Hex 4, 5, 6, 9 to 11, 13, 14	174570	Switch 6, 10	177906	Chute, Chad 4, 6
151632	Screw, 6-40 x 3/8 Hex 4, 6, 7, 13	177566	Jumper, 6" Black 9	177908	Cable Assembly 2, 3
151637	Screw, 4-40 x 1/4 Fil 11, 12	177609	Rectifier 9	177911	Spring, Torsion 4, 6
151660	Screw, 6-40 x 7/8 Fil 10	177795	Guide, 1" Tape 4	182726	Terminal, Receptacle Type 2, 3
151661	Screw, 6-40 x 1 Fil 8	177798	Reed, #0 3	190494	Plate, Right Base 4
151685	Screw, 4-40 x 5/16 Fil 7, 8	177799	Bracket, Connector 2, 3	190500	Plate, Left Base 4
151686	Screw, 4-40 x 3/8 Fil 8, 13	177800	Frame 2, 3, 4, 8, 9	192007	Terminal, Tab Type 2, 3, 8, 9, 10
151688	Screw, 4-40 x 5/8 Fil 9, 10	177801	Reed 2	192034	Bearing, Clutch 12
151692	Screw, 6-40 x 3/16 Fil 9	177802	Bracket, Right 2, 3, 5	192037	Spring, Right Clutch 12
151693	Screw, 6-40 x 9/16 Fil 11	177803	Bracket, Left 2, 3, 5	195187	Screw, 4-40 x 1-1/2 Hex 6
151721	Screw, 6-40 x 3/4 Hex 2, 3	177804	Magnet Assembly, Right 2	195795	Pulley, 16T 12
151722	Screw, 6-40 x 3/16 Hex 11, 13	177805	Magnet Assembly, Left 2	198918	Screw, 2-56 x 5/8 Fil 11
151723	Screw, 10-32 x 3/8 Hex 4	177807	Post, Lower Guide 4, 6	198927	Magnet 11
151736	Spring 6, 7	177808	Post, Upper Guide 4, 6, 7	198940	Switch, Reed 11
151737	Screw, 4-40 x 11/64 Hex 13	177809	Bracket, Guide 4, 6, 7	300036	Network, Arc Suppression 8
152893	Screw, 4-40 x 1/4 Hex 6, 8, 9, 10	177810	Link, #0, #3 and #7 4	300728	Post 6
153342	Screw, 6-40 x 15/16 Hex 4, 6	177811	Link, Feed Pin 4	302744	Plate, Retaining 12
153442	Screw, 10-32 x 1/2 Hex 4, 6, 7, 8	177812	Link, #1 and #4 4	302746	Guard, Gear 11
153538	Screw, 6-40 x 7/16 Hex 7, 14	177813	Link, #2 and #5 4	302901	Lamp 14
153539	Screw, 6-40 x 11/16 Hex 2, 3, 6, 14	177814	Link, #6 4	302903	Lens 14
153799	Screw, 4-40 x 21/64 Hex 12	177815	Pawl, Escapement 4, 6, 13	302904	Cover 14
153817	Screw, 4-40 x 3/8 Hex 3, 5	177818	Plate, Clamp 2, 3, 5	302905	Bracket, Lens Holder 14
153819	Washer, Lock 9	177819	Bushing, Eccentric 2, 3, 5	302906	Bracket 14
153839	Screw, 6-40 x 5/8 Hex 13, 14	177821	Core, Right 2	302907	Plate, Lamp Mounting 14
153841	Screw, 6-40 x 9/16 Hex 9	177822	Core, Left 2	302908	Block, Mounting 14
154335	Screw, 6-40 x 9/32 Fil 6	177832	Block Assembly, Punch 4	302910	Ring, Lock 14
155750	Sleeve, 3/32 ID x 1/2" Lg Insulating 10	177836	Bracket w/Post 8	302915	Ring, "O" 14
155752	Sleeve, 5/64 ID x 1/2" Lg Insulating 2, 3, 5	177837	Lever w/Hub 8	302916	Isolator 14
155753	Sleeve, 1/8 ID x 1/2" Lg Insulating 8	177839	Post 8	302925	Bracket 14
155754	Sleeve, 1/16 ID x 1/2" Lg Insulating 10	177840	Pinion, 18T 8	302926	Plate 14
156057	Washer, Flat 6	177842	Pinion, 18T 8	302927	Guide, Tape 7
156450	Screw, 2-56 x 1/2 Fil 6, 10	177843	Screw, 1/4-32 Adjusting 8	302940	Block Assembly w/Verifier, Punch 7, 14
156519	Washer, Felt 4, 6, 8, 13	177844	Post, Spring 8	302962	Tube w/Mirror 14
156536	Screw, 4-40 x 1/8 Fil 6	177845	Shaft, Drive 8	302963	Plate, Bridge 14
156558	Washer, Felt 13	177847	Spring, Drive 4, 13	302964	Gasket 14
156572	Washer, Felt 8	177850	Plate, Adjusting 8	302965	Mirror 14
156588	Ring, Retaining 11	177851	Post 8	302966	Cover, Mirror 14
156619	Clamp 13	177852	Gear, 66T 8	302967	Clip, Retaining 14
156740	Screw, 6-40 x 7/32 Hex 14	177853	Switch, Micro 8	302968	Chute w/Bracket, Chad 14
156832	Plate 13	177854	Plate, Mounting 4	302972	Bracket 14
158147	Bushing, Eccentric 13	177856	Post, Eccentric 4, 6	302974	Bracket, Adapter 14
158588	Post 6	177857	Plate 4, 6	302998	Follower, Cam 13
158859	Post, Spring 8	177859	Plate, Rear Mounting 4	302999	Follower, Cam 12
159404	Post 9, 10	177861	Wheel, Feed 4	306838	Triac 10
159610	Mount, Vibration 4	177863	Screw, 6-40 Adjusting 4, 13	308397	Bracket w/Stud 6
159805	Washer, Flat 7	177864	Sleeve 8	308399	Ratchet w/Spring 4, 6, 13
159976	Armature 13	177865	Guide, Tape 4, 6	309378	Post 14
159977	Hinge 13	177869	Motor, 115V AC 8	309561	Belt, 80T 12
159978	Shaft 13	177870	Motor, 115V AC 8	311143	Bracket, Contact 10
160087	Post, Spring 11	177872	Roller 8	311145	Bracket, Switch 10
161346	Washer, Felt 4, 6, 13	177874	Bushing, Eccentric 2, 3, 5	311146	Cam 10
162747	Roller 11	177875	Clip, Spring 2, 3, 5	311153	Cable Assembly 10
		177878	Bushing, Eccentric 4, 6	312728	Tube, Chad 14
		177883	Nut, Spring Anchor 4, 6, 13	315502	Bushing 6
		177884	Guide, 11/16" Tape 4	315503	Plate 6
		177886	Bail w/Stud 8	320304	Plate, Rear 11, 12, 13
		177892	Cam 9	320305	Plate w/Posts, Front 11
		177894	Nut, 10-32 Spl 8	320307	Bar, Tie 11
		177896	Contact Assembly 9, 10	320308	Post, Spacer 13
		177897	Guard, Contact 9, 10	320309	Hub 13
		177898	Spring, Contact 9, 10		

NUMERICAL INDEX (Continued)

Part Number	Description and Page Number	Part Number	Description and Page Number	Part Number	Description and Page Number
320310	Gear, 24T 13	320342	Lever w/Hub, Switch 11	320368	Sleeve 12
320311	Wheel, Feed 13	320344	Plate, Switch Actuating 11	320369	Lever, Clutch Release 12
320312	Disk, Detent 13	320345	Post, Eccentric 11	320370	Bail, Armature 13
320313	Washer, Detent Disk 13	320346	Lever, Adjusting 13	320371	Spring, Left Clutch 12
320318	Drum w/Gear 48T 12	320347	Plate, Clamping 13	320372	Lever, Clutch Release 11
320320	Disk 12	320348	Bushing, Eccentric 13	320373	Bracket, Magnet 13
320321	Gear, 34T 12	320356	Plate, Spring Anchor 12	320374	Lever, Magnet 11
320322	Gear, 58T 12	320357	Guide, Lower 7	320375	Disk, Cam 12
320326	Cam, Tape Guide 12	320358	Guide, Upper 7	320376	Plate Assembly, Rear 1, 13
320327	Shaft, Clutch Trip 11	320359	Guide, Edge 7	320377	Plate Assembly, Front 1, 11
320328	Lever w/Hub, Stop 11	320360	Guide, Edge 7	320378	Shaft Assembly, Intermediate 1, 12
320329	Lever w/Hub, Latch 11	320361	Guide, Edge 7	320380	Shaft Assembly, Drive 1, 12
320330	Shaft, Clutch Trip 11	320362	Guide 7	320382	Shaft w/Gear 12
320331	Lever w/Hub 11	320363	Post, Eccentric 13	320383	Shaft w/Gear 12
320336	Arm w/Hub 7, 13	320365	Sleeve 12	320384	Retainer w/Plate 13
320338	Post, Eccentric 13	320366	Spring, Torsion 7	320385	Guide Assembly, Tape 7
320339	Arm w/Post, Cam Follower 13	320367	Bushing 12		