

Bulletin No. 1038

Issue 2

December, 1936

ASB-1-18-37

WYL-12/4/36

TELETYPE

PRINTING TELEGRAPH SYSTEMS

PARTS

REPERFORATOR

(Model 12)

(AHR-1/19/38)

CC-396

When ordering parts, each number should be followed by the letter M, without parentheses, to identify the item as one to be secured from the Teletype Corp.

TELETYPE

CORPORATION

SUBSIDIARY OF

Western Electric Company

CHICAGO, U.S.A.

Printed in U.S.A.

Bulletin No. 1038
Issue 2
December, 1936

TELETYPE

PRINTING TELEGRAPH SYSTEMS

PARTS
REPERFORATOR
(Model 12)

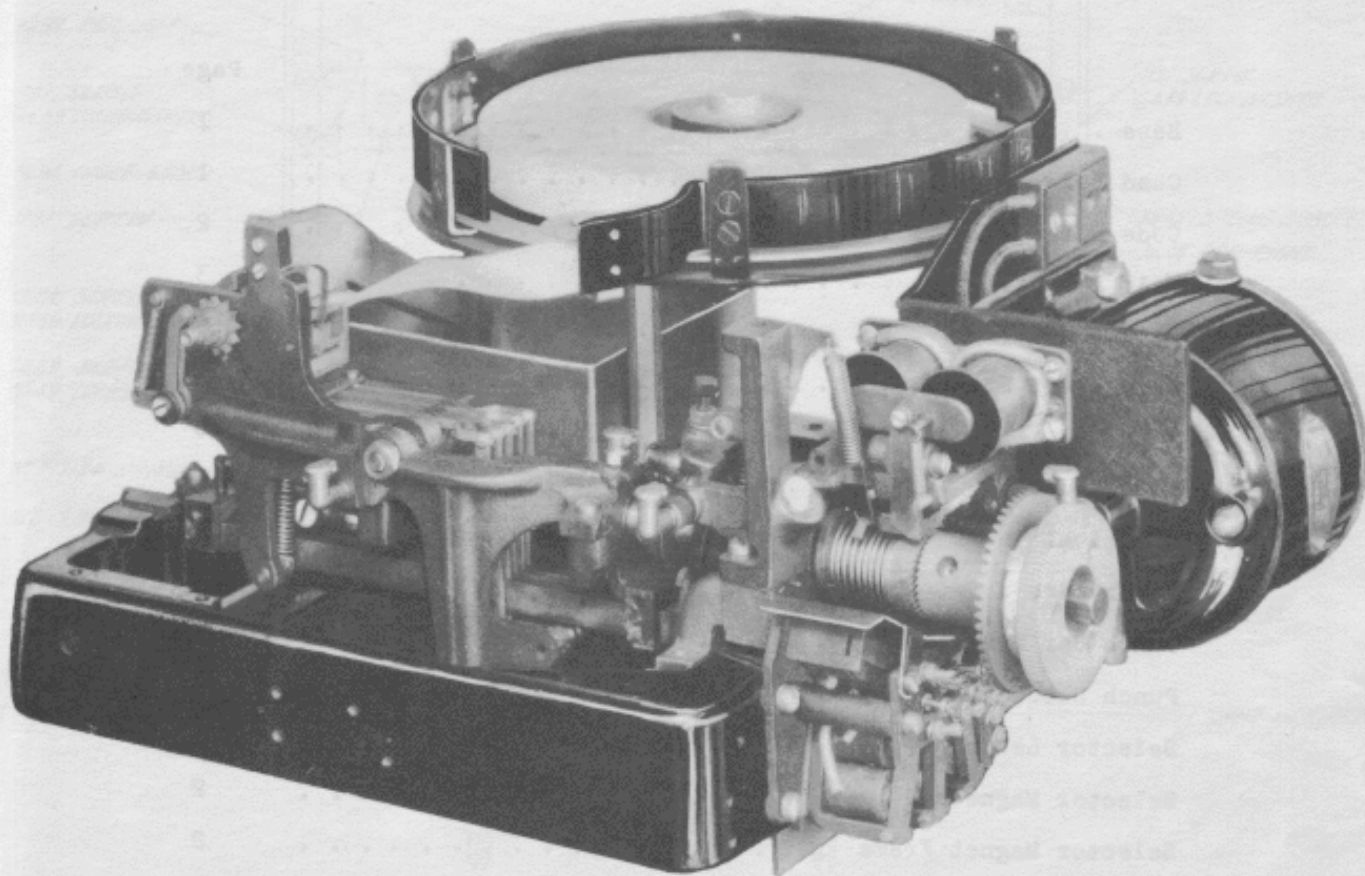
TELETYPE

CORPORATION

SUBSIDIARY OF

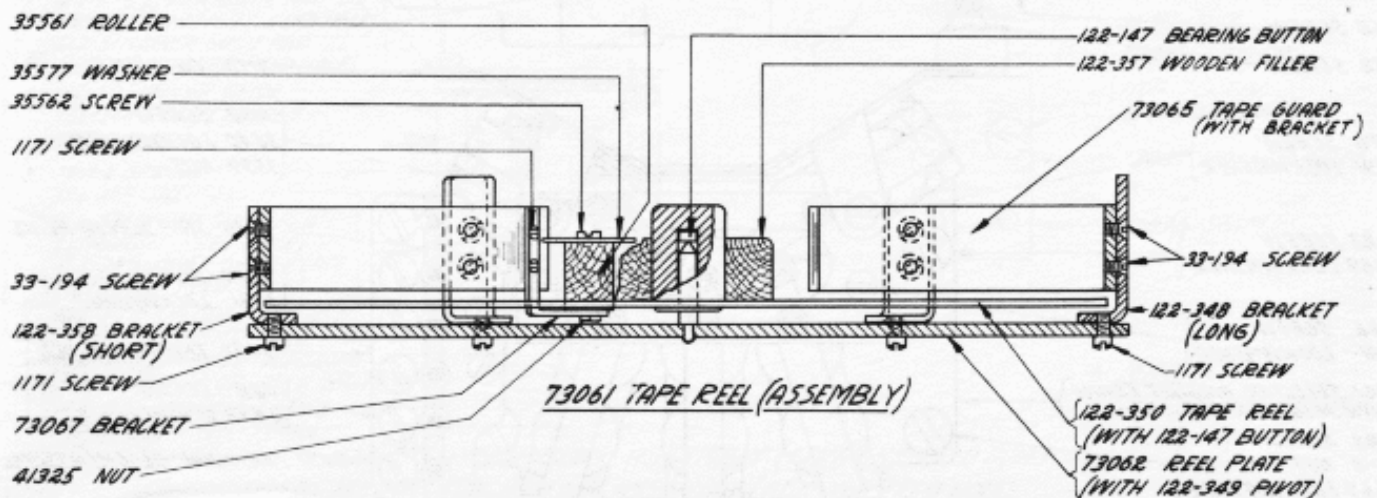
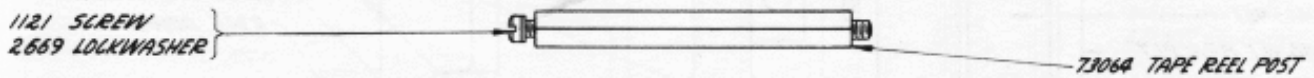
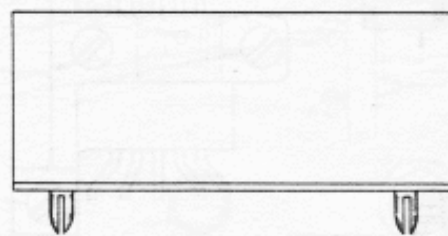
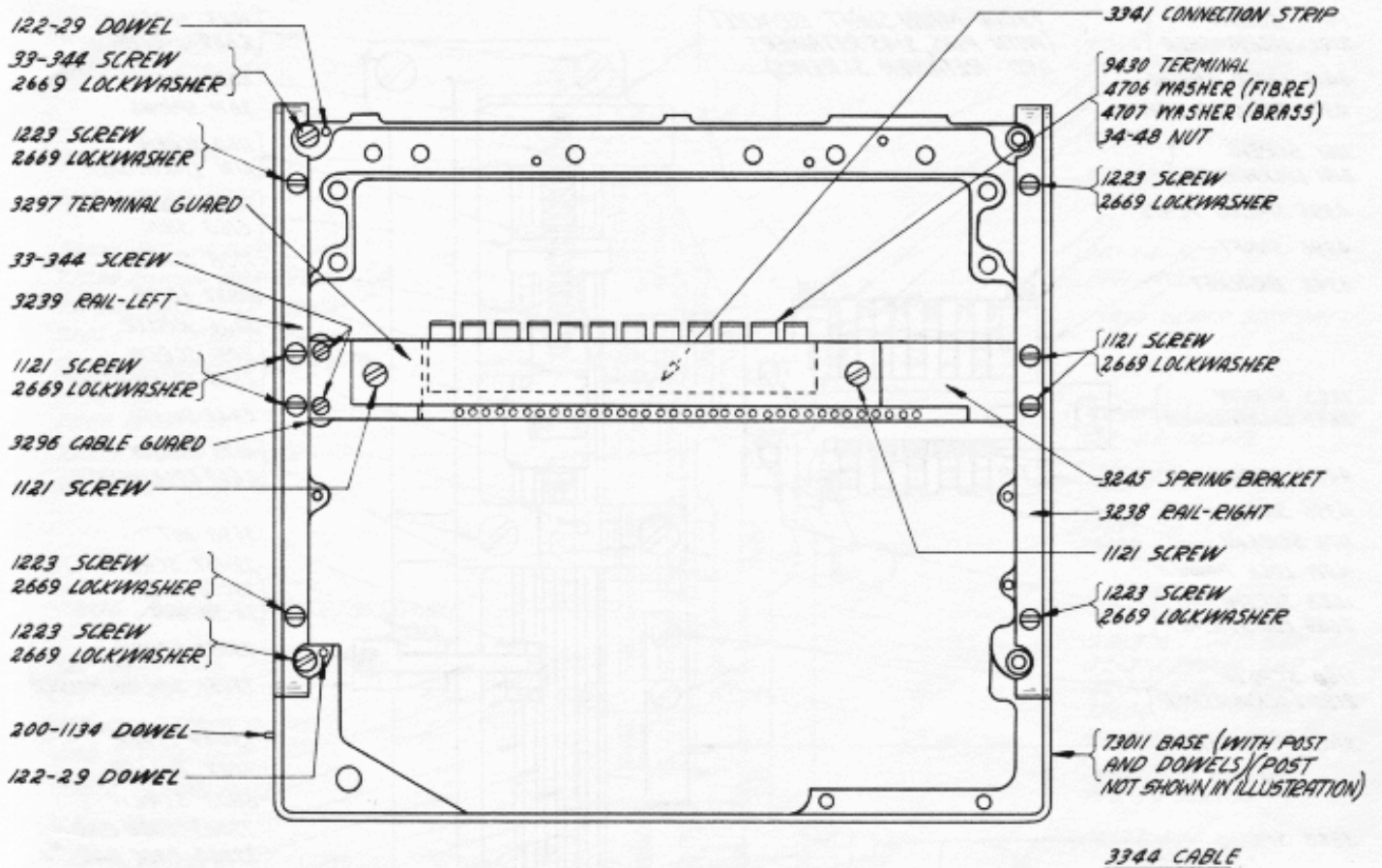
Western Electric Company

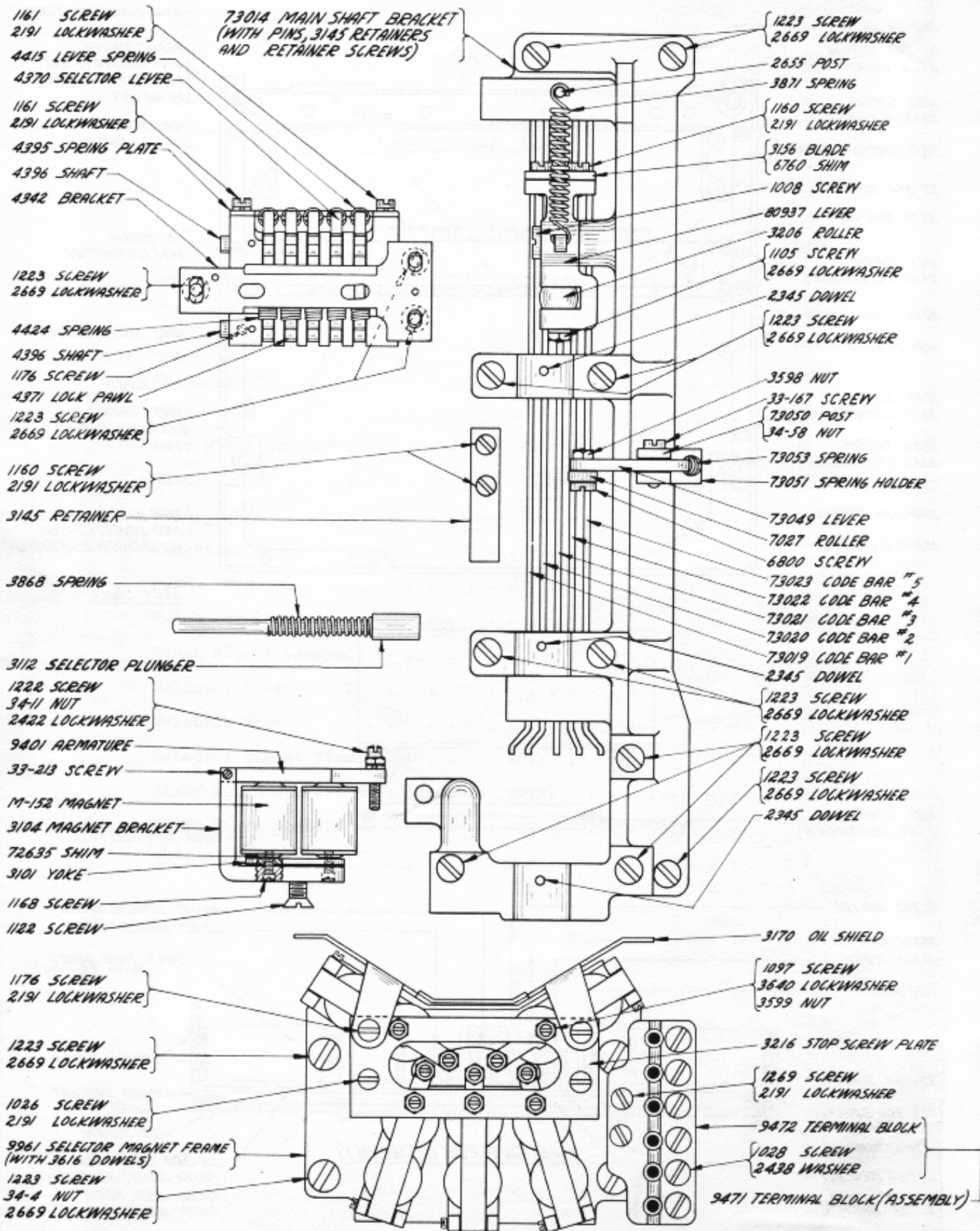
CHICAGO, U.S.A.

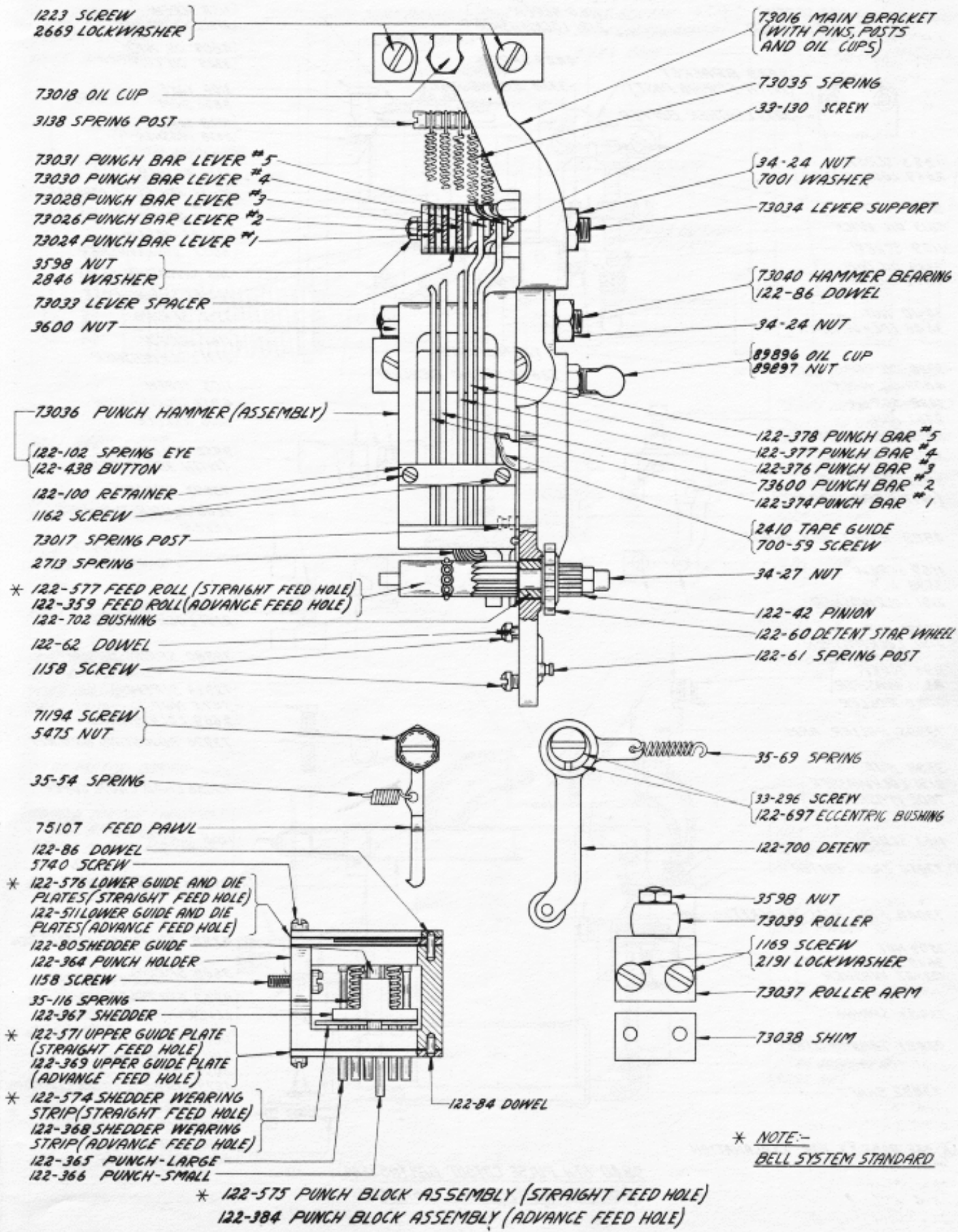


ALPHABETICAL INDEX

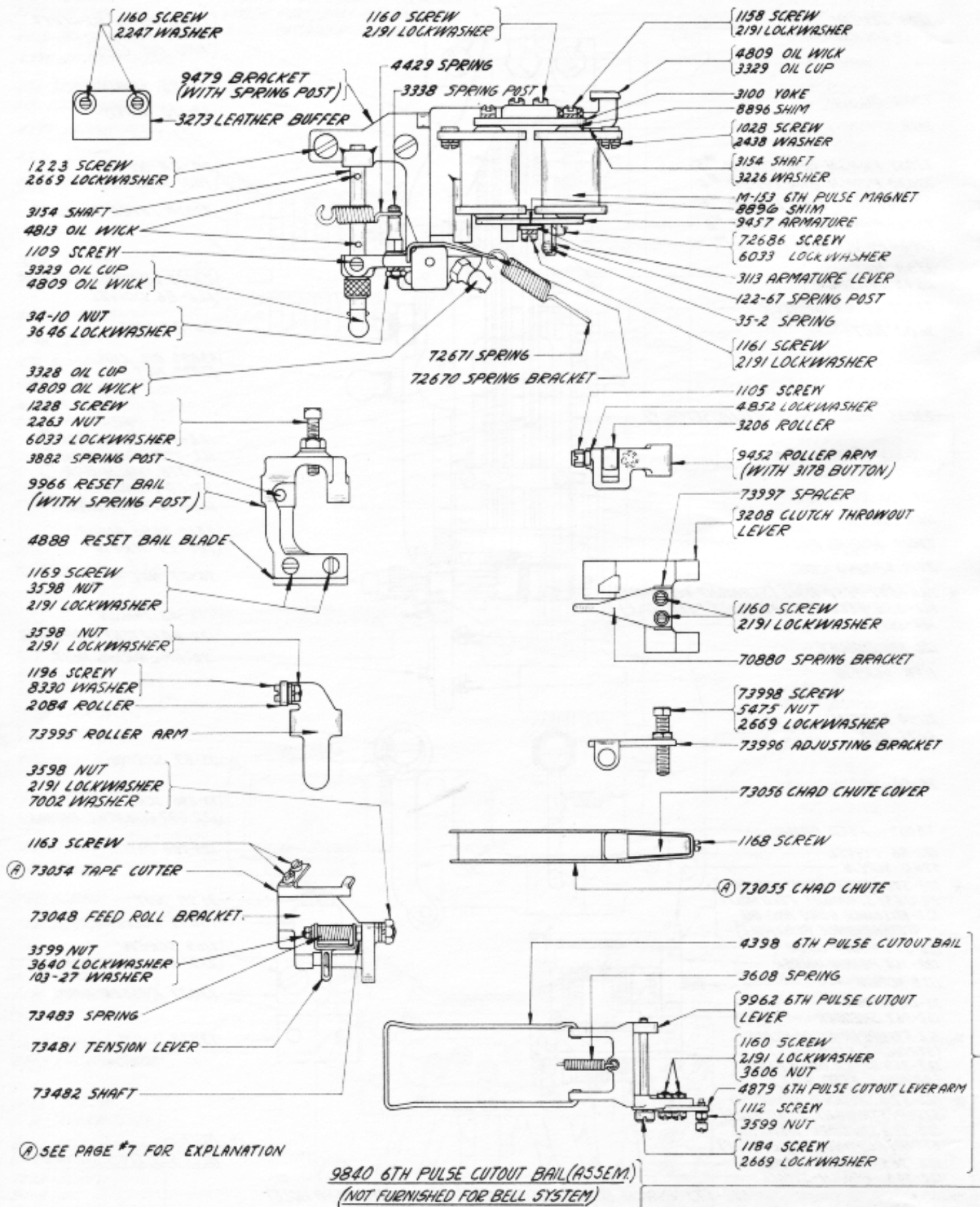
	Page
Base	1
Chad Box	1
Code Bars	2
Main Bracket	3
Main Shaft	5
Main Shaft Bracket	2
Motors	6
Motor Guard	5
Numerical Index	7
Punch Bars	3
Punch Bar Levers	3
Punch Blocks (Assem.)	3
Selector Levers	2
Selector Magnets	2
Selector Magnet Frame	2
Sixth Pulse Out-Out Bail (Assem.)	4
Sixth Pulse Magnets	4
Tape Reel (Assem.)	1

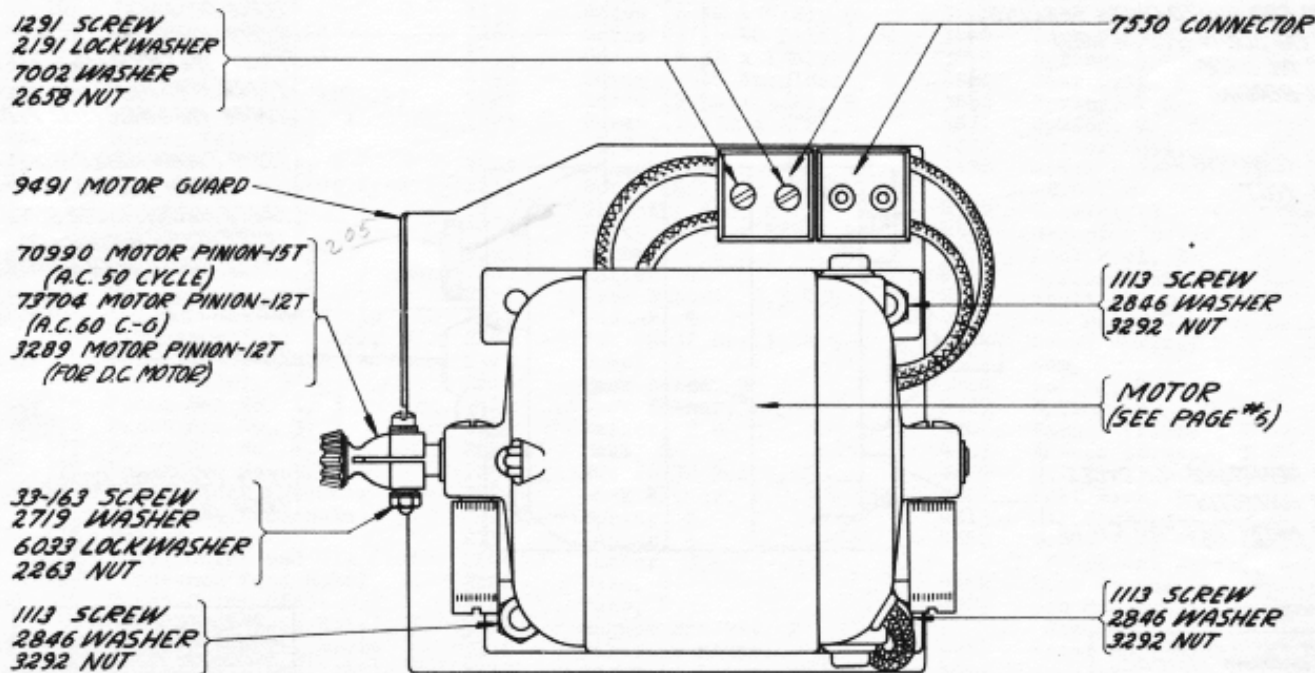
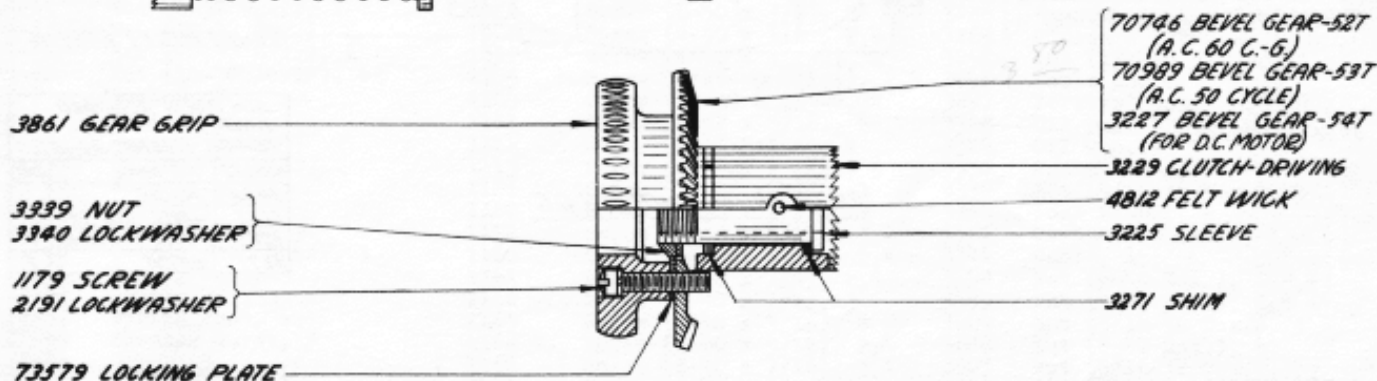
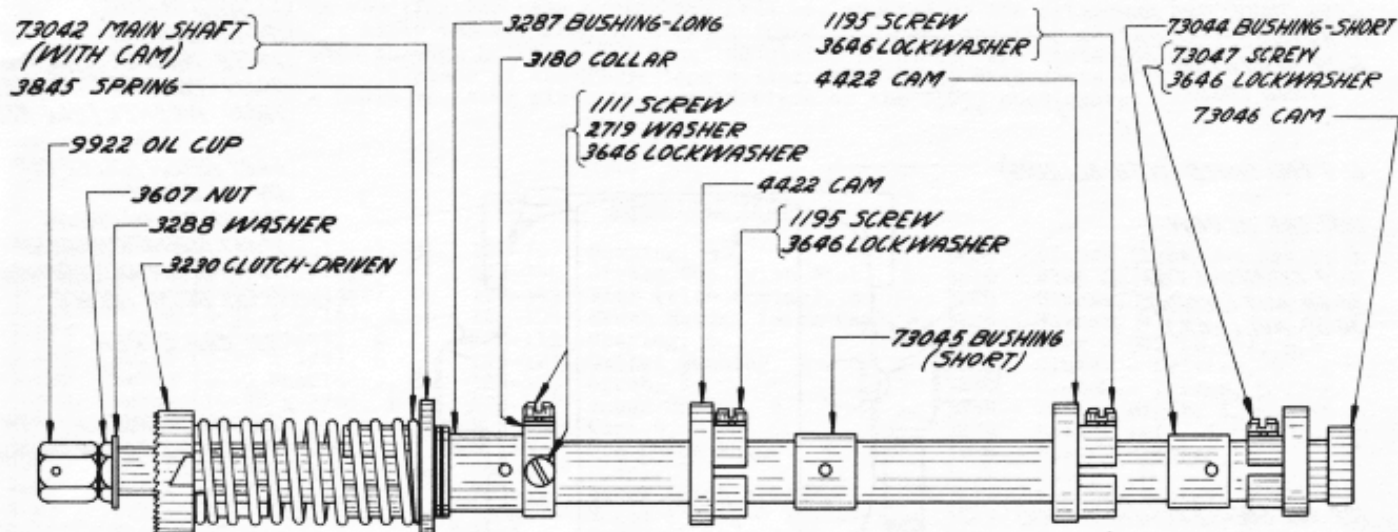


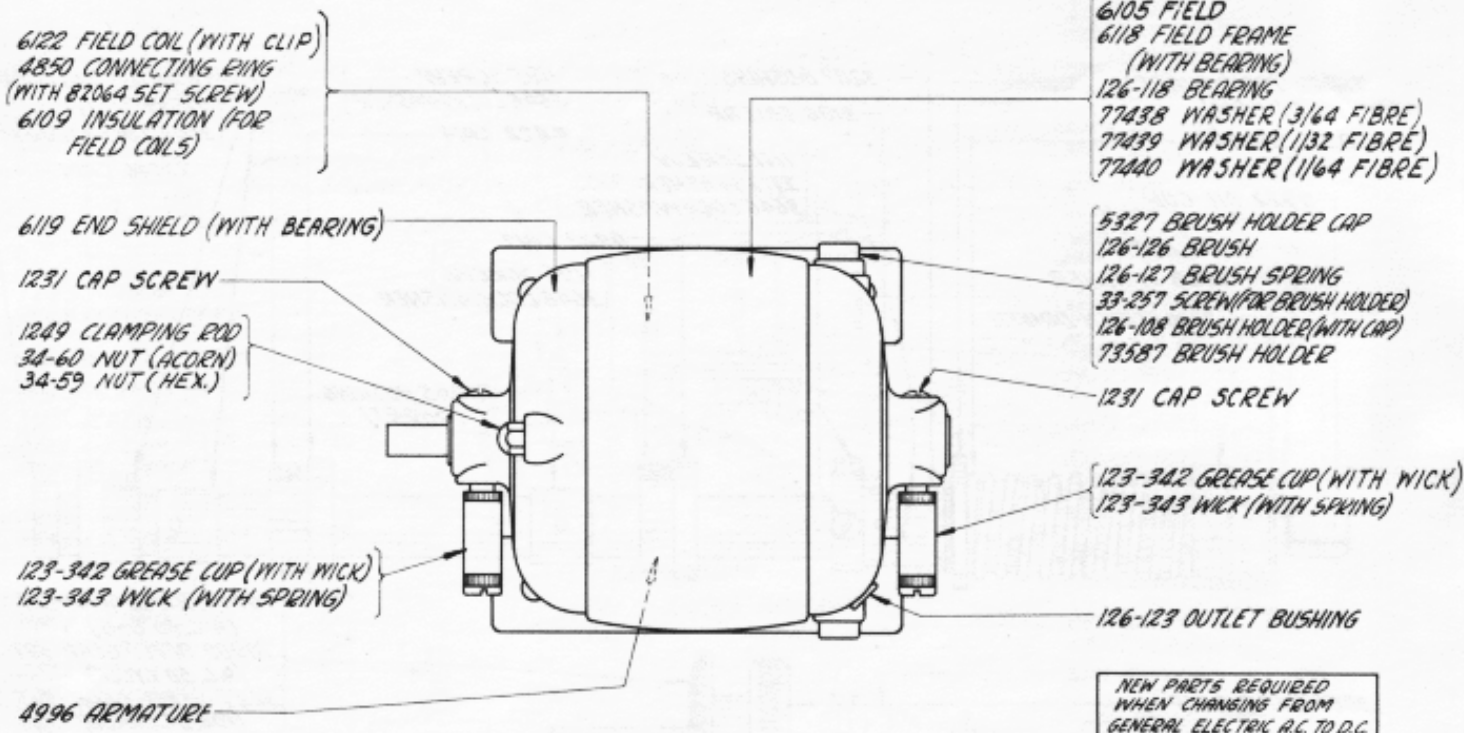




* NOTE:-
BELL SYSTEM STANDARD



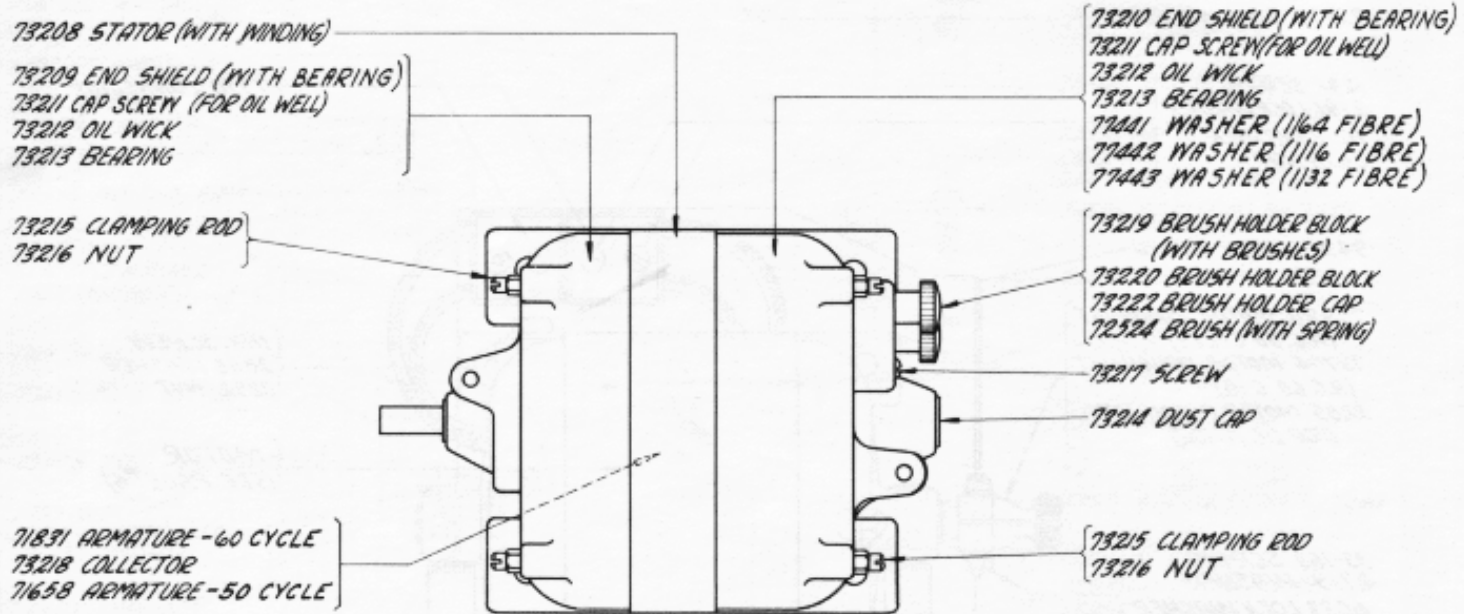




3888 MOTOR - 1/30 H.P., 110V. D.C.

NEW PARTS REQUIRED
WHEN CHANGING FROM
GENERAL ELECTRIC A.C. TO D.C.

NUMBER	NAME	AMT.
3888	MOTOR	1
3227	BEVEL GEAR-54T	1
3289	MOTOR PINION-12T	1
3271	SHIM	2



70835 MOTOR - 1/30 H.P., 110V. A.C., 60 CYCLES
71657 MOTOR - 1/30 H.P., 110V. A.C., 50 CYCLES

NEW PARTS REQUIRED
WHEN CHANGING FROM D.C.
TO GENERAL ELECTRIC A.C.

NUMBER	NAME	AMT.
70835	MOTOR	1
70746	BEVEL GEAR-52T	1
73704	MOTOR PINION-12T	1
3271	SHIM	2

NEW PARTS REQUIRED
WHEN CHANGING FROM D.C.
TO GENERAL ELECTRIC A.C.

NUMBER	NAME	AMT.
71657	MOTOR	1
70989	BEVEL GEAR-52T	1
70990	MOTOR PINION-15T	1
3271	SHIM	2

NOTES OF EXPLANATION

Page 4

(A) On reperforator sets having the chad box mounted on the bottom of the table and the reperforator equipped to direct the tape and chad through holes in the mounting plate, an 80463 tape chute is used in place of the 73054 tape cutter and a 78833 chad chute with a 80015 mounting plate is used in place of the 73055 chad chute.

NUMERICAL INDEX

33-130	Screw (1-72 Shoulder), 3	122-702	Bushing, 3	3208	Clutch Throw-Out Lever, 4
33-163	Screw (8-32 x 7/8), 5	123-342	Grease Cup (with Wick), 6	3216	Stop Screw Plate, 2
33-167	Screw (8-40 Shoulder), 2	123-343	Wick (with Spring), 6	3225	Sleeve, 5
33-194	Screw (6-32 x 3/16), 1	126-108	Brush Holder (with Cap), 6	3226	Washer, 4
33-213	Screw (3-56 Pilot), 2	126-118	Bearing, 6	3227	Gear - 54T (D.C.), 5,6
33-257	Screw (8-36 x 1/4), 6	126-123	Outlet Bushing, 6	3229	Clutch - Driving, 5
33-296	Screw (6-40 Shoulder), 3	126-126	Brush, 6	3230	Clutch - Driven, 5
33-344	Screw (10-32 x 3/4), 1	126-127	Brush Spring, 6	3238	Rail - Right, 1
34-4	Nut (10-32 Hex.), 2	M-152	Magnet, 2	3239	Rail - Left, 1
34-10	Nut (6-40 Hex.), 4	M-153	6th Pulse Magnet, 4	3245	Spring Bracket, 1
34-11	Nut (2-56 Hex.), 2	200-1134	Dowel, 1	3271	Shim, 5,6
34-24	Nut (1/4-32 Hex.), 3	700-59	Screw (2-56 x 1/8), 3	3273	Leather Buffer, 4
34-27	Nut (5/32-40 Hex.), 3	1008	Screw (3/16-40 Shoulder), 2	3287	Bushing - Long, 5
34-48	Nut (6-32 Hex.), 1	1026	Screw (6-40 x 3/8), 2	3288	Washer, 5
34-58	Nut (10-32 Hex.), 2	1028	Screw (4-40 x 1/4), 2,4	3289	Pinion - 12T (D.C.), 5,6
34-59	Nut (10-30 Hex.), 6	1097	Screw (4-40 x 15/32), 2	3292	Nut (1/4-20 Hex.), 5
34-60	Nut (10-30 Acorn), 6	1105	Screw (3/16-40 Pilot), 2,4	3296	Cable Guard, 1
35-2	Spring, 4	1109	Screw (10-32 x 7/32), 4	3297	Terminal Guard, 1
35-54	Spring, 3	1111	Screw (8-32 x 5/16), 5	3328	Oil Cup, 4
35-69	Spring, 3	1112	Screw (4-40 Pilot), 4	3329	Oil Cup, 4
35-116	Spring, 3	1113	Screw (1/4-20 x 7/8), 5	3338	Spring Post, 4
103-27	Washer, 4	1121	Screw (10-32 x 3/8), 1	3339	Nut (9/16-32 Hex.), 5
122-29	Dowel, 1	1122	Screw (8-32 x 9/32), 2	3340	Lock Washer, 5
122-42	Pinion - 12T, 3	1158	Screw (6-32 x 5/16), 3,4	3341	Connection Strip, 1
122-60	Detent Star Wheel, 3	1160	Screw (6-40 x 5/16), 2,4	3344	Cable, 1
122-61	Spring Post, 3	1161	Screw (6-40 x 1/4), 2,4	3598	Nut (6-40 Hex.), 2,3,4
122-62	Dowel, 3	1162	Screw (4-40 x 1/4), 3	3599	Nut (4-40 Hex.), 2,4
122-67	Spring Post, 4	1163	Screw (4-40 x 3/16), 4	3600	Nut (3/16-40 Hex.), 3
122-80	Shedder Guide, 3	1168	Screw (4-40 x 5/16), 2,4	3606	Nut (6-40 Hex.), 4
122-84	Dowel, 3	1169	Screw (6-40 x 7/16), 3,4	3607	Nut (5/16-32 Hex.), 5
122-86	Dowel, 3	1171	Screw (6-32 x 3/16), 1	3608	Spring, 4
122-100	Retainer, 3	1176	Screw (6-40 x 3/16), 2	3616	Dowel, 2
122-102	Spring Eye, 3	1179	Screw (6-40 x 5/8), 5	3640	Lock Washer, 2,4
122-147	Bearing Button, 1	1184	Screw (3/16-40 Pilot), 4	3646	Lock Washer, 4,5
122-348	Bracket - Long, 1	1195	Screw (8-32 x 1/8), 5	3845	Spring, 5
122-349	Pivot, 1	1196	Screw (6-40 Shoulder), 4	3861	Gear Grip, 5
122-350	Tape Reel (with 122-147 Bearing Button), 1	1222	Screw (2-56 x 1/2), 2	3868	Spring, 2
122-357	Wooden Filler, 1	1223	Screw (10-32 x 1/2), 1,2,3,4	3871	Spring, 2
122-358	Bracket - Short, 1	1228	Screw (8-32 x 3/4), 4	3882	Spring Post, 4
122-359	Feed Roll (Advance Feed Hole), 3	1231	Screw (5/16-32 Special), 6	3888	Motor - 1/30 H.P., 110 V., D.C., 6
122-364	Punch Holder, 3	1249	Clamping Rod, 6	4342	Bracket, 2
122-365	Punch - Large, 3	1269	Screw (6-40 x 1/2), 2	4370	Selector Lever, 2
122-366	Punch - Small, 3	1291	Screw (6-32 x 3/4), 5	4371	Lock Pawl, 2
122-367	Shedder, 3	2084	Roller, 4	4395	Spring Plate, 2
122-368	Shedder Wearing Strip (Advance Feed Hole), 3	2191	Lock Washer, 2,3,4,5	4396	Shaft, 2
122-369	Upper Guide Plate (Advance Feed Hole), 3	2247	Washer, 4	4398	6th Pulse Cut-Out Ball, 4
122-374	Punch Bar No. 1, 3	2263	Nut (8-32 Hex.), 4,5	4415	Lever Spring, 2
122-376	Punch Bar No. 3, 3	2410	Dowel, 2	4422	Cam, 5
122-377	Punch Bar No. 4, 3	2422	Tape Guide, 3	4424	Spring, 2
122-378	Punch Bar No. 5, 3	2438	Lock Washer, 2	4429	Spring, 4
122-384	Punch Block Assembly (Advance Feed Hole), 3	2655	Washer, 2,4	4706	Washer (Fibre), 1
122-438	Button, 3	2658	Post, 2	4707	Washer (Brass), 1
122-511	Lower Guide and Die Plates (Advance Feed Hole), 3	2669	Nut (6-32 Hex.), 5	4809	Oil Wick, 4
122-571	Upper Guide Plate (Straight Feed Hole), 3	2713	Lock Washer, 1,2,3,4	4812	Felt Wick, 5
122-574	Shedder Wearing Strip (Straight Feed Hole), 3	2719	Spring, 3	4813	Oil Wick, 4
122-575	Punch Block Assembly (Straight Feed Hole), 3	2846	Washer, 5	4850	Connecting Ring (with 82064 Set Screw), 6
122-576	Lower Guide and Die Plates (Straight Feed Hole), 3	3100	Washer, 3,5	4852	Lock Washer, 4
122-577	Feed Roll (Straight Feed Hole), 3	3101	Yoke, 4	4879	6th Pulse Cut-Out Lever Arm, 4
122-697	Eccentric Bushing, 3	3104	Yoke, 2	4888	Reset Bail Blade, 4
122-700	Detent, 3	3112	Magnet Bracket, 2	4996	Armature, 6
		3113	Selector Plunger, 2	5327	Brush Holder Cap, 6
		3138	Armature Lever, 4	5475	Nut (3/16-40 Hex.), 3,4
		3145	Spring Post, 3	5740	Screw (2-56 x 1/4), 3
		3154	Retainer, 2	6033	Lock Washer, 4,5
		3156	Shaft, 4	6105	Field, 6
		3170	Blade, 2	6109	Insulation (For Field Coils), 6
		3178	Oil Shield, 2		
		3180	Button, 4		
		3206	Collar, 5		
			Roller, 2,4		

6118	Field Frame (with Bearing), 6	71831	Armature - 60 Cycle, 6	73062	Reel Plate (with 122-349 Pivot), 1
6119	End Shield (with Bearing), 6	72524	Brush (with Spring), 6	73064	Tape Reel Post, 1
6122	Field Coil (with Clip), 6	72635	Shim, 2	73065	Tape Guard (with Bracket), 1
6760	Shim, 2	72670	Spring Bracket, 4	73067	Bracket, 1
6800	Screw (6-40 Shoulder), 2	72671	Spring, 4	73208	Stator (with Winding), 6
7001	Washer, 3	72686	Screw (8-40 Pilot), 4	73209	End Shield (with Bearing), 6
7002	Washer, 4, 5	73011	Base (with Post and Dowels), 1	73210	End Shield (with Bearing), 6
7027	Roller, 2	73014	Main Shaft Bracket (with Pins, 3, 4, 5 Retainers and Screws), 2	73211	Cap Screw (For Oil Well), 6
7550	Connector, 5	73016	Main Bracket (with Pins, Posts and Oil Cups), 3	73212	Oil Wick, 6
8330	Washer, 4	73017	Spring Post, 3	73213	Bearing, 6
8896	Shim, 4	73018	Oil Cup, 3	73214	Dust Cap, 6
9401	Armature, 2	73019	Code Bar No. 1, 2	73215	Clamping Rod, 6
9430	Terminal, 1	73020	Code Bar No. 2, 2	73216	Nut (6-40 Special), 6
9452	Roller Arm (with 3178 Button), 4	73021	Code Bar No. 3, 2	73217	Screw (8-36 x 9/16) (For Brush Holder Block), 6
9457	Armature, 4	73022	Code Bar No. 4, 2	73218	Collector, 6
9471	Terminal Block (Assem.), 2	73023	Code Bar No. 5, 2	73219	Brush Holder Block (with Brushes), 6
9472	Terminal Block, 2	73024	Punch Bar Lever No. 1, 3	73220	Brush Holder Block, 6
9479	Bracket (with Spring Post), 4	73026	Punch Bar Lever No. 2, 3	73222	Brush Holder Cap, 6
9491	Motor Guard, 5	73028	Punch Bar Lever No. 3, 3	73481	Tension Lever, 4
9840	6th Pulse Cut-Out Ball (Assem.), 4	73030	Punch Bar Lever No. 4, 3	73482	Shaft, 4
9922	Oil Cup, 5	73031	Punch Bar Lever No. 5, 3	73483	Spring, 4
9961	Selector Magnet Frame (with 3616 Dowels), 2	73033	Lever Spacer, 3	73579	Locking Plate, 5
9962	6th Pulse Cut-Out Lever, 4	73034	Lever Support, 3	73587	Brush Holder, 6
9966	Reset Ball (with Spring Post), 4	73035	Spring, 3	73600	Punch Bar No. 2, 3
35561	Roller, 1	73036	Punch Hammer (Assem.), 3	73704	Motor Pinion - 12T (A.C., 60 Cycle - G), 5, 6
35562	Screw (5-40 Shoulder), 1	73037	Roller Arm, 3	73995	Roller Arm, 4
35577	Washer, 1	73038	Shim, 3	73996	Adjusting Bracket, 4
41325	Nut (5-40 Hex.), 1	73039	Roller, 3	73997	Spacer, 4
70746	Bevel Gear - 52T (A.C., 60 Cycle - G), 5, 6	73040	Hammer Bearing, 3	73998	Screw (3/16-40 x 13/16), 4
70835	Motor - 1/30 H.P., 110 V., A.C., 60 Cycle, 6	73042	Main Shaft (with Cam), 5	75107	Feed Pawl, 3
70880	Spring Bracket, 4	73044	Bushing - Short, 5	77438	Washer (Fibre - 3/64), 6
70989	Bevel Gear - 53T (A.C., 50 Cycle), 5, 6	73045	Bushing - Short, 5	77439	Washer (Fibre - 1/32), 6
70990	Motor Pinion - 15T (A.C., 50 Cycle), 5, 6	73046	Cam, 5	77440	Washer (Fibre - 1/64), 6
71194	Screw (3/16-40 x 9/32), 3	73047	Screw (8-32 Shoulder), 5	77441	Washer (Fibre - 1/64), 6
71657	Motor - 1/30 H.P., 110 V., A.C., 50 Cycle, 6	73048	Feed Roll Bracket, 4	77442	Washer (Fibre - 1/16), 6
71658	Armature - 50 Cycle, 6	73049	Lever, 2	77443	Washer (Fibre - 1/32), 6
		73050	Post, 2	78833	Chad Chute, 7
		73051	Spring Holder, 2	80015	Chad Chute Mounting Plate, 7
		73053	Spring, 2	80463	Tape Chute, 7
		73054	Tape Cutter, 4, 7	80937	Lever, 2
		73055	Chad Chute, 4, 7	* 89896	Oil Cup, 3
		73056	Chad Chute Cover, 4	89897	Nut (10-32 Hex.), 3
		73057	Chad Box, 1		
		73061	Tape Reel (Assem.), 1		

* 81093 set of Tools 4/1/40-WYL