

INSTRUCTIONS FOR ASSEMBLING
THE NO. 86865 CHAD CHUTE
ON PERFORATOR-TRANSMITTER

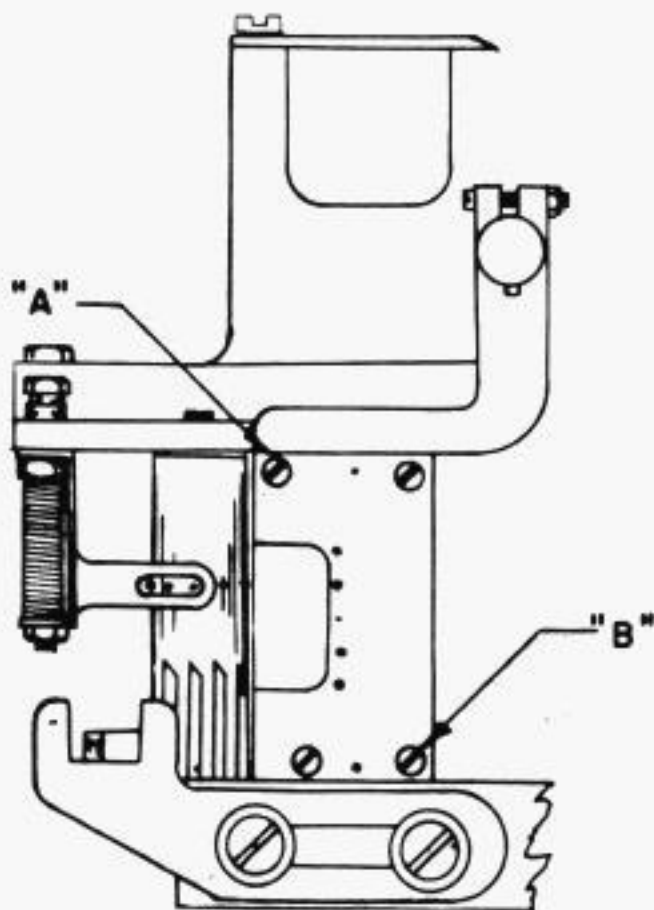


FIG. 1

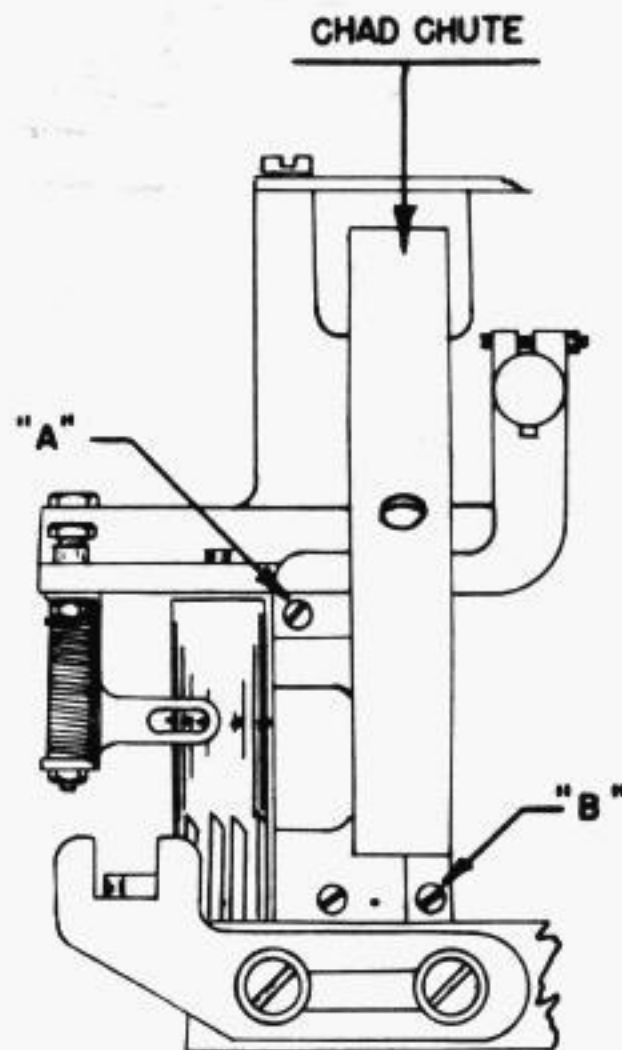


FIG. 2

1- REMOVE SCREWS "A" AND "B"
SHOWN IN FIGURE 1.

2- REMOVE CHAD CHUTE FROM
BAG AND ASSEMBLE TO UNIT
AS SHOWN IN FIGURE 2 WITH
SCREWS "A" AND "B".