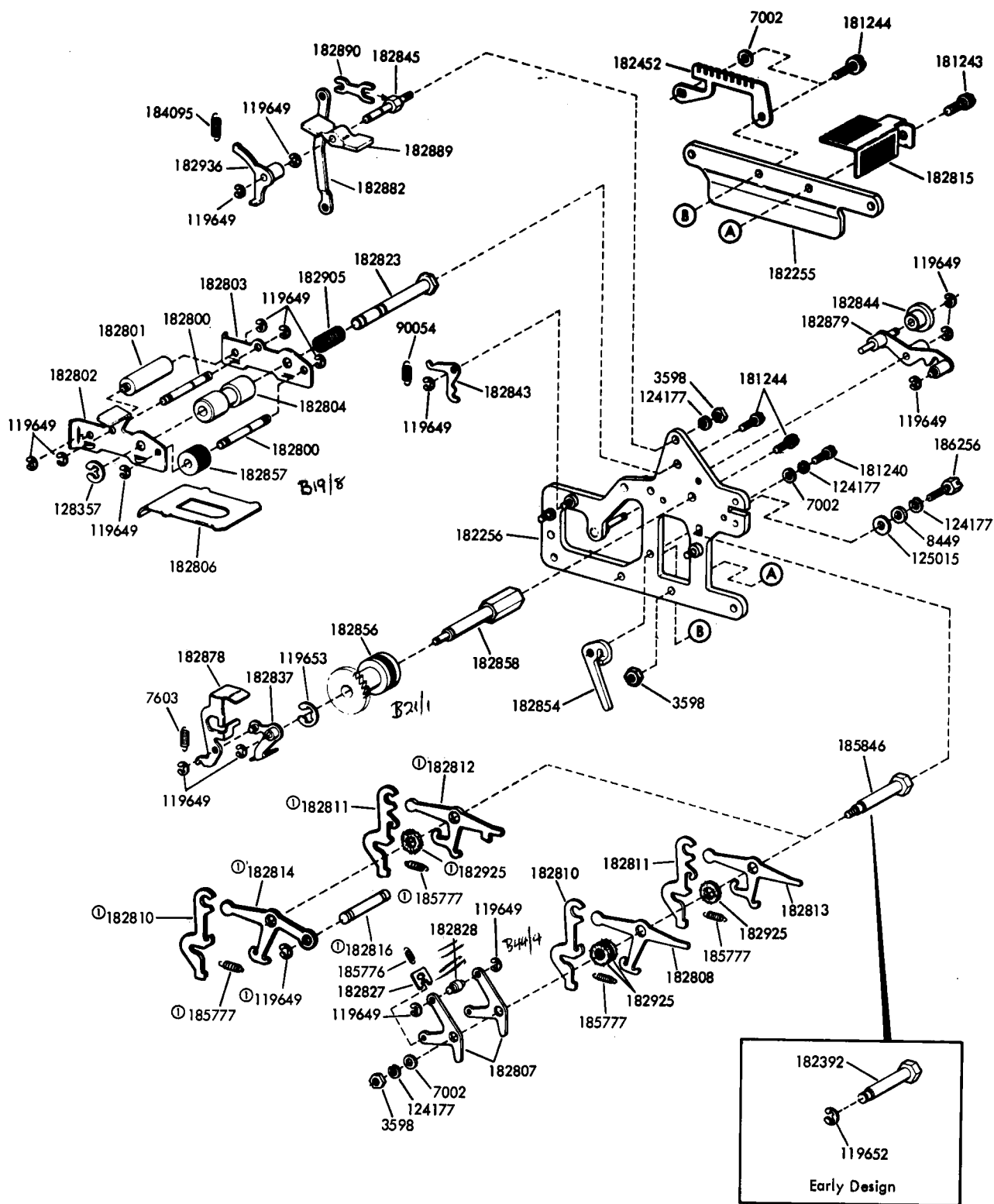


32 TAPE PUNCH (UPE)  
PARTS

FIGURE	CONTENTS	PAGE
1	Punch Mechanism	2
2	Punch Mechanism (Continued)	3
3	Punch Mechanism (Continued)	4
4	Power Bail Mechanisms	5
	Numerical Index	6



Note: See Figure 3 for Early Design parts.

Ⓞ Peculiar to Units with Answer Back Feature

FIGURE 1. PUNCH MECHANISM.

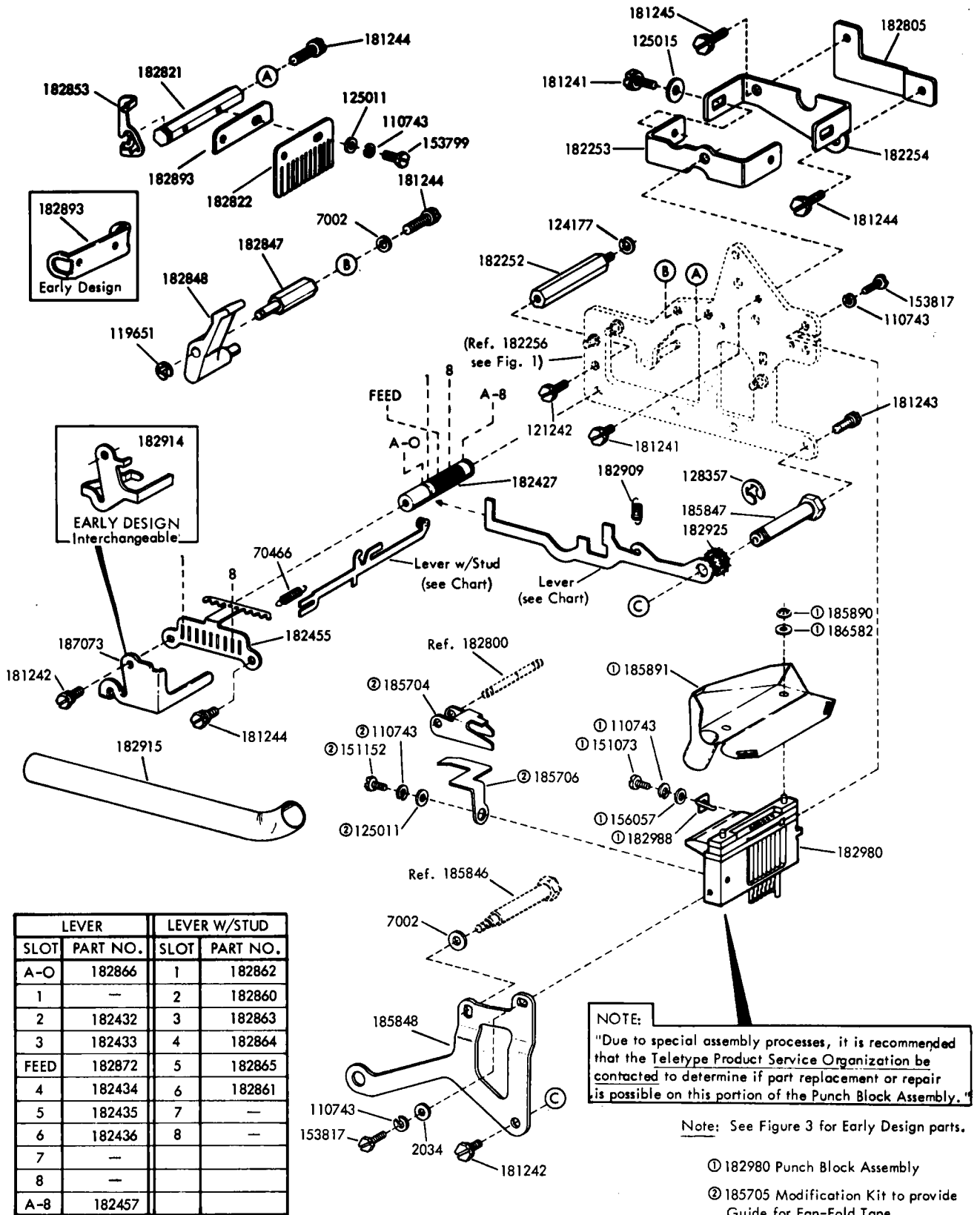
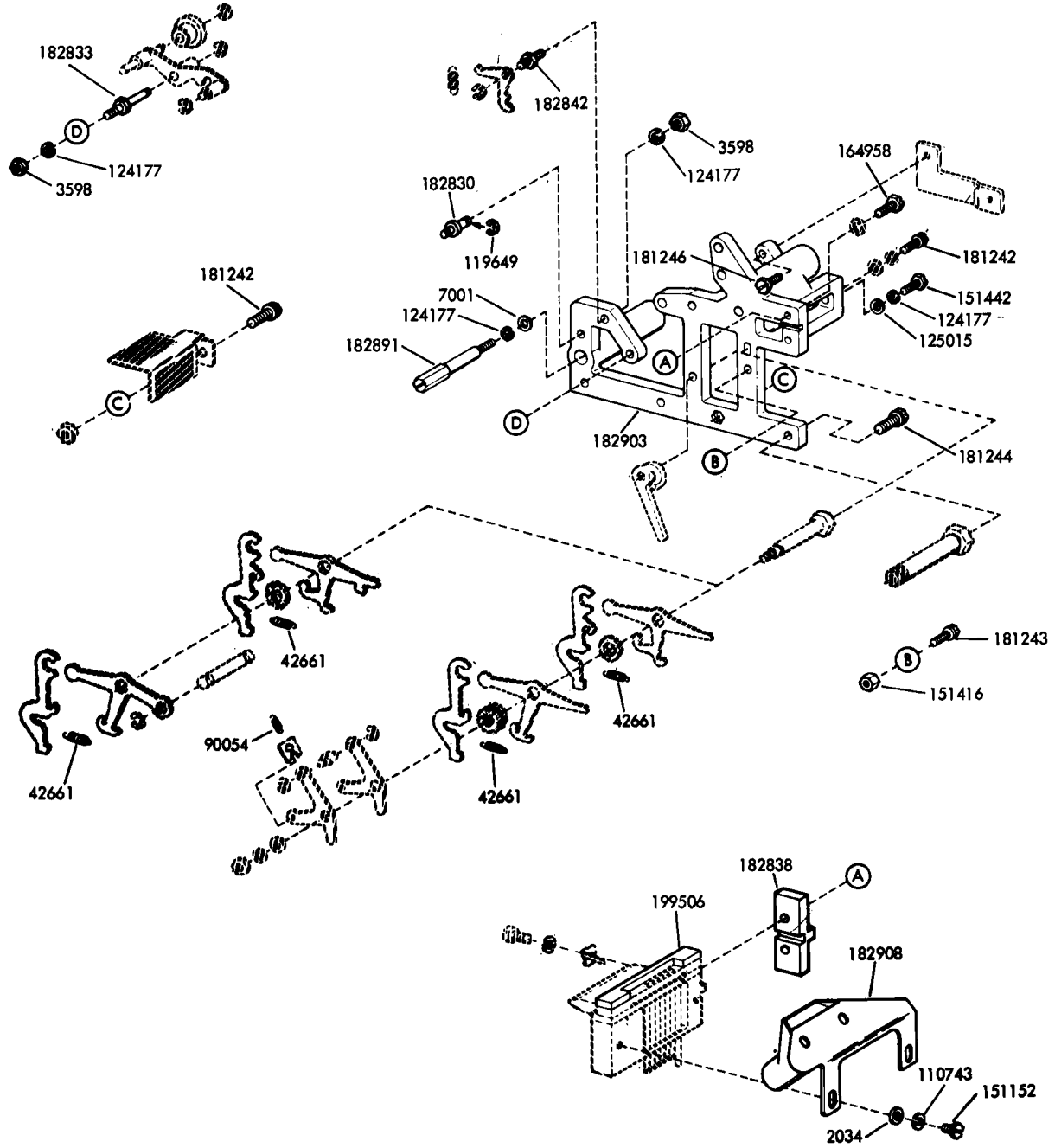
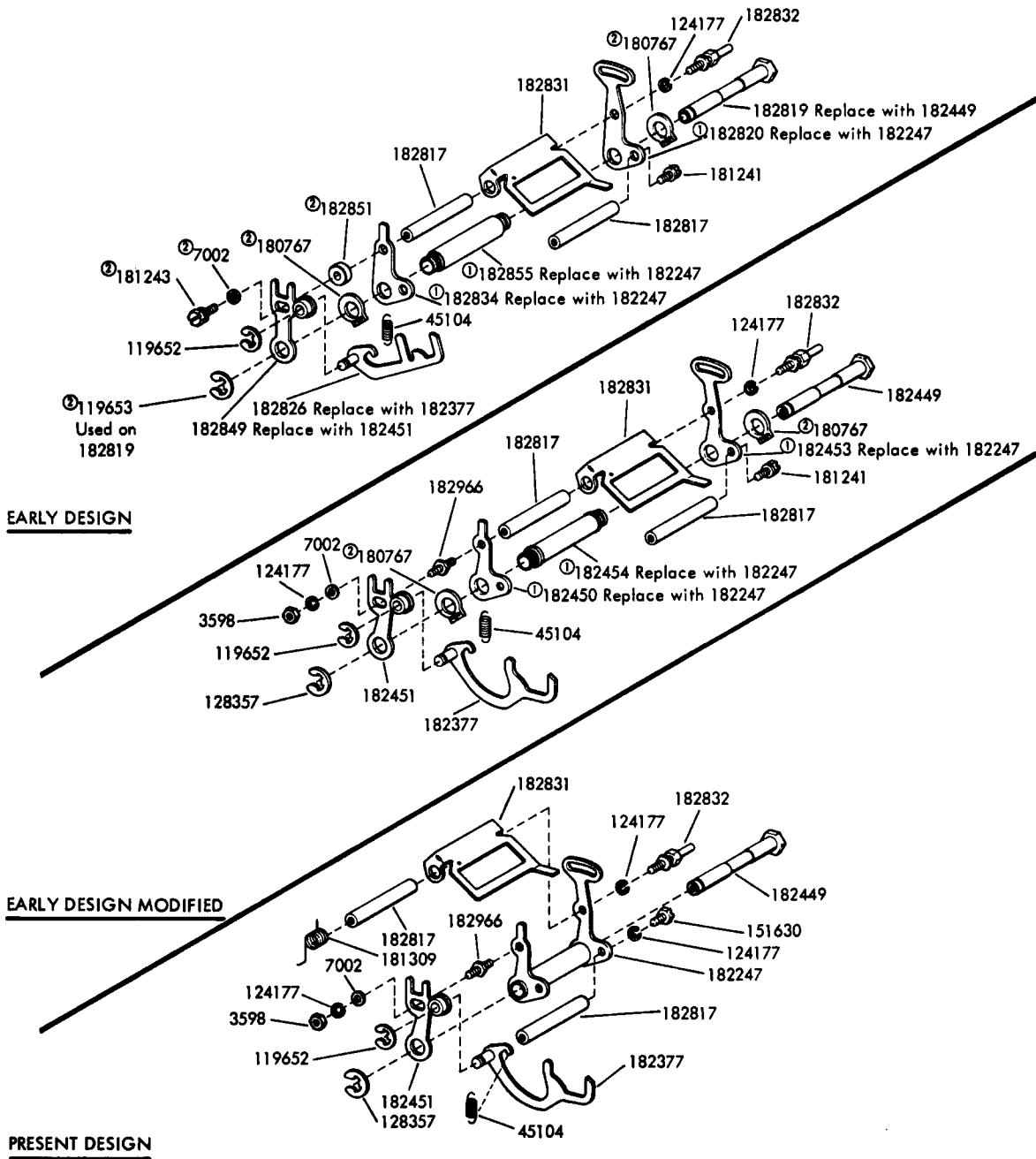


FIGURE 2. PUNCH MECHANISM (Continued)



**NOTE:** This Figure represents Early Design parts. These parts are not individually interchangeable with Late Design parts shown in Figures 1 and 2.

FIGURE 3. PUNCH MECHANISM (Continued)



①Must be replaced with 182247 Sleeve w/Plates, 181309 Spring and 128357 Ring, Retaining (3598, 124177, 7002 and 182966 may also be ordered to update entire Power Bail Mechanism)  
 ②Use only with Earlier Design Mechanisms

FIGURE 4. POWER BAIL MECHANISMS

## NUMERICAL INDEX

Part Number	Description and Page Number	Part Number	Description and Page Number	Part Number	Description and Page Number
2034	Washer, Flat 3,4	182253	Bracket 3	182834	Plate 5
3598	Nut, 6-40 Hex 2,4,5	182254	Bracket 3	182837	Lever w/Post 2
7001	Washer, Flat 4	182255	Spacer 2	182838	Spacer 4
7002	Washer, Flat 2,3,5	182256	Plate 2,3	182842	Post 4
7603	Spring 2	182377	Pawl w/Stud 5	182843	Lever 2
8449	Spacer, 0.094" Thk 2	182392	Post 2	182844	Roller 2
42661	Spring 4	182427	Post 3	182845	Post 2
45104	Spring 5	182432	Lever 3	182847	Post 3
70466	Spring 3	182433	Lever 3	182848	Arm 3
90054	Spring 2,4	182434	Lever 3	182849	Plate w/Bushing 5
110743	Lockwasher 3,4	182435	Lever 3	182851	Spacer, 0.062" Thk 5
119649	Ring, Retaining 2,4	182436	Lever 3	182853	Hook 3
119651	Ring, Retaining 3	182449	Post 5	182854	Bracket 2
119652	Ring, Retaining 2,5	182450	Plate 5	182855	Lever 5
119653	Ring, Retaining 2,5	182451	Plate w/Bushing 5	182856	Wheel, 24T 2
121242	Clamp, 1/8 ID Cable 3	182452	Plate, Guide 2	182857	Roller 2
124177	Lockwasher 2,3,4,5	182453	Plate 5	182858	Post 2
125011	Washer, Flat 3	182454	Sleeve 5	182860	Lever w/Stud 3
125015	Washer, Flat 2,3,4	182455	Bracket 3	182861	Lever w/Stud 3
128357	Ring, Retaining 2,3,5	182457	Lever 3	182862	Lever w/Stud 3
151073	Screw, 4-40 x 5/32 Fil 3	182800	Post 2,3	182863	Lever w/Stud 3
151152	Screw, 4-40 x 3/16 Hex 3,4	182801	Roller 2	182864	Lever w/Stud 3
151416	Nut, 6-40 Hex 4	182802	Bracket 2	182865	Lever 3
151442	Screw, 6-40 x 1/2 Hex 4	182803	Plate 2	182866	Lever 3
151630	Screw, 6-40 x 1/4 Hex 5	182804	Sleeve 2	182872	Lever 3
153799	Screw, 4-40 x 21/64 Hex 3	182805	Plate 3	182878	Lever 2
153817	Screw, 4-40 x 3/8 Hex 3	182806	Plate 2	182879	Lever 2
156057	Washer, Flat 3	182807	Lever 2	182882	Link 2
164958	Screw, 4-40 x 1/2 Hex 4	182808	Lever 2	182889	Lever 2
180767	Ring, Retaining 5	182810	Pawl 2	182890	Plate 2
181240	Screw w/Lockwasher, 6-40 x 3/16 Hex 2	182811	Pawl 2	182891	Screw, 6-40 Spl 4
181241	Screw w/Lockwasher, 6-40 x 1/4 Hex 3,5	182812	Lever 2	182893	Bracket 3
181242	Screw w/Lockwasher, 6-40 x 5/16 Hex 3,4	182813	Lever 2	182903	Casting 4
181243	Screw w/Lockwasher, 6-40 x 3/8 Hex 2,3,4,5	182814	Lever 2	182905	Spring, Compression 2
181244	Screw w/Lockwasher, 6-40 x 7/16 Hex 2,3,4	182815	Bracket 2	182908	Chute, Chad 4
181245	Screw w/Lockwasher, 6-40 x 1/2 Hex 3	182816	Shaft 2	182909	Spring 3
181246	Screw w/Lockwasher, 6-40 x 5/8 Hex 4	182817	Post 5	182914	Bracket 3
181309	Spring, Torsion 5	182819	Post 5	182915	Extension 3
182247	Sleeve w/Plates 5	182820	Plate 5	182925	Washer, Felt 2,3
182252	Post 3	182821	Post 3	182936	Arm w/Bushing 2
		182822	Plate 3	182966	Stud 5
		182823	Post 2	182980	Block, Punch 3
		182826	Pawl w/Stud 5	182988	Spring, Punch Block 3
		182827	Plate 2	184095	Spring 2
		182828	Roller 2	185704	Depressor, Tape 3
		182830	Post, Spring 4	185705	Modification Kit 3
		182831	Bail 5	185706	Bracket 3
		182832	Post 5	185776	Spring 2
		182833	Post 4	185777	Spring 2

## NUMERICAL INDEX (Continued)

Part Number	Description and Page Number	Part Number	Description and Page Number	Part Number	Description and Page Number
185846	Post 2,3	185890	Pushnut 3	186582	Washer, Flat 3
185847	Post 3	185891	Chute, Chad 3	187073	Bracket 3
185848	Plate 3	186256	Screw, 6-40 Spl 2	199506	Gasket 4

