

32 KEYBOARD  
LUBRICATION

CONTENTS	PAGE
1. GENERAL . . . . .	1
2. BASIC UNIT . . . . .	2
Codebar mechanism . . . . .	5
Contact block . . . . .	4
HERE IS, BREAK, and REPT keylevers . . . . .	3
Keyboard . . . . .	2
Keylevers . . . . .	3
Latchlever hooks . . . . .	4
LTRS-FIGS detent . . . . .	4
Reset bail . . . . .	5
Spacebar . . . . .	3
Universal lever . . . . .	5
3. VARIATION TO BASIC UNIT . . . . .	6 ←
Locking mechanism . . . . .	6

**CAUTION:** DISCONNECT POWER BEFORE APPLYING ANY LUBRICANT. DO NOT USE SOLVENTS TO CLEAN PLASTIC PARTS OR PROTECTIVE FINISHES. USE A SOFT DRY CLOTH. IF NECESSARY, USE A SOFT DAMP CLOTH WITH MILD DETERGENT, THEN RINSE AND BUFF WITH A SOFT DRY CLOTH.

LUBRICATION INTERVAL  
(Based on 5-Day Week)

Daily Operation of Keyboard			
Speed (wpm)	0-8 hrs	8-16 hrs	16-24 hrs
60	39 wks	26 wks	13 wks
100	26 wks	13 wks	6 wks
All speeds*	3 wks	2 wks	1 wk

\*Newly installed equipment

1. GENERAL

1.01 This section provides lubrication requirements for the 32 keyboard. It is reissued to make corrections, and change the lubrication interval. Marginal arrows indicate changes. To remove the keyboard from the teletypewriter set as a unit, refer to Section 574-160-702TC.

1.02 Lubrication of the keyboard is presented by mechanisms. Photographs show numbered callouts that correspond to paragraphs containing line drawings. These drawings show specific points of each mechanism to be lubricated.

1.03 References to front, rear, left, right, etc, are made viewing the keyboard from its normal operating position.

1.04 Lubricate all components of the teletypewriter set at the following intervals:

**Note 1:** Reduce lubricating intervals 15 percent for a 6-day week, and 30 percent for a 7-day week.

**Note 2:** Sets with typing unit serial numbers below 144,000, reduce lubricating intervals 33 percent. Those with serial numbers above 144,000, use above chart.

**Note 3:** For units operating at speeds between those shown, use slower of two speeds.

1.05 The following symbols, and their meaning, apply to the lubrication points in each paragraph:

**Note:** The amount of lubricant applied is at the discretion of maintenance personnel.

<u>SYMBOL</u>	<u>MEANING</u>
D	Dry — no lubricant permitted
G	Grease — apply TKS7471 grease
O	Oil — apply TKS7470 oil

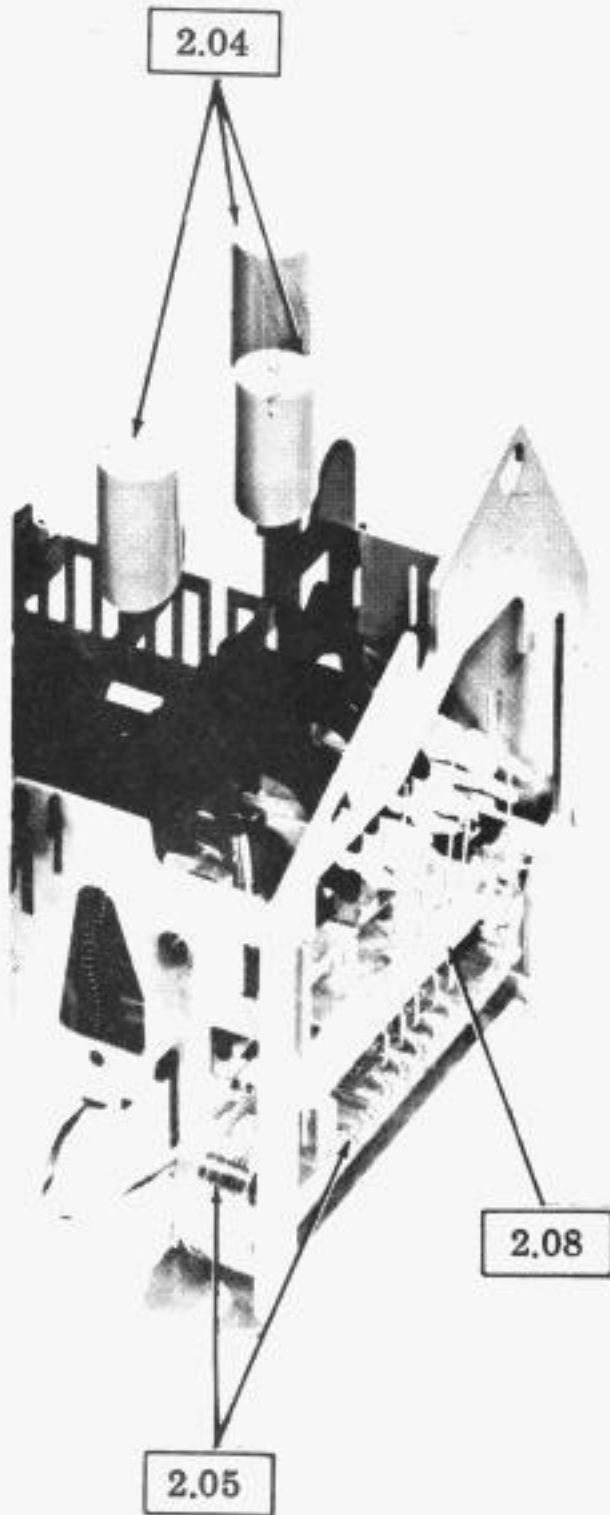
SECTION 574-171-701TC

1.06 Lubricate keyboard thoroughly. Saturate all felt washers, and apply oil to each end of all springs. Apply oil to points where it will adhere and not run off. Avoid overlubri-

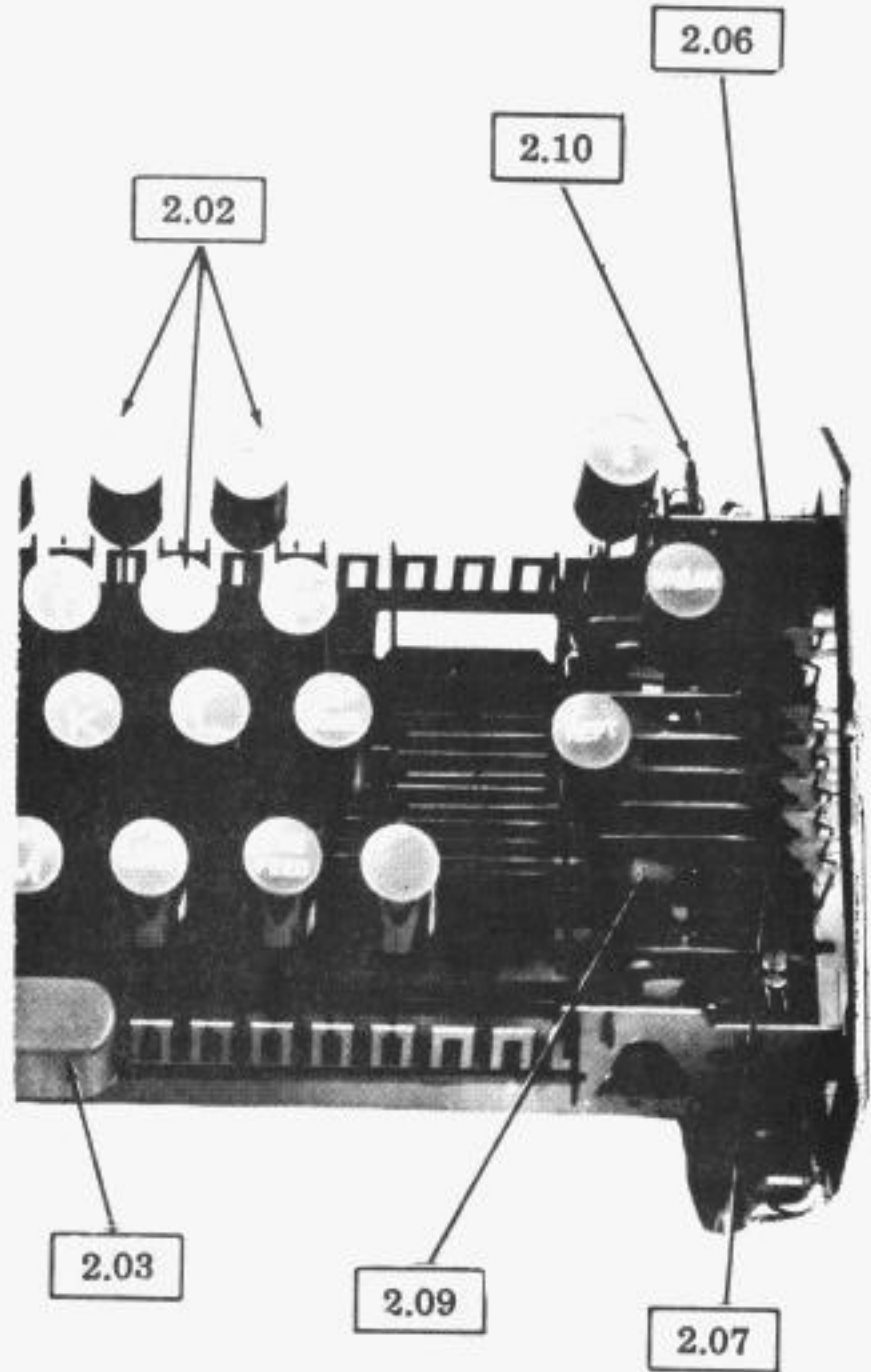
cation. Keep electrical contacts and wire insulations free of lubricants. In general, apply oil to locations where parts rub, slide, or move with respect to each other.

2. BASIC UNIT

2.01 Keyboard

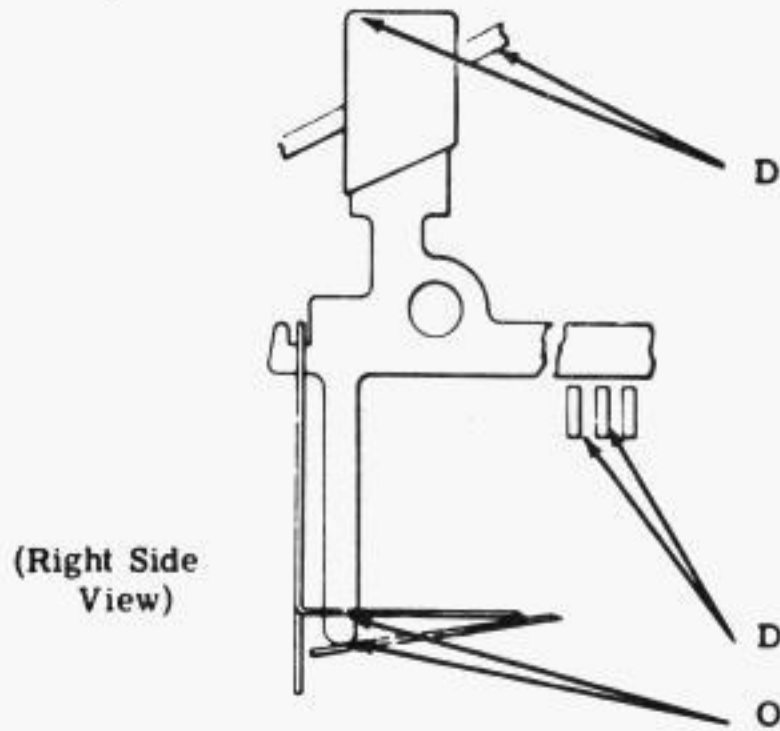


(Right Front View)



(Front View)

2.02 Keylevers



Top Surface

Keytops and Keyboard Cover

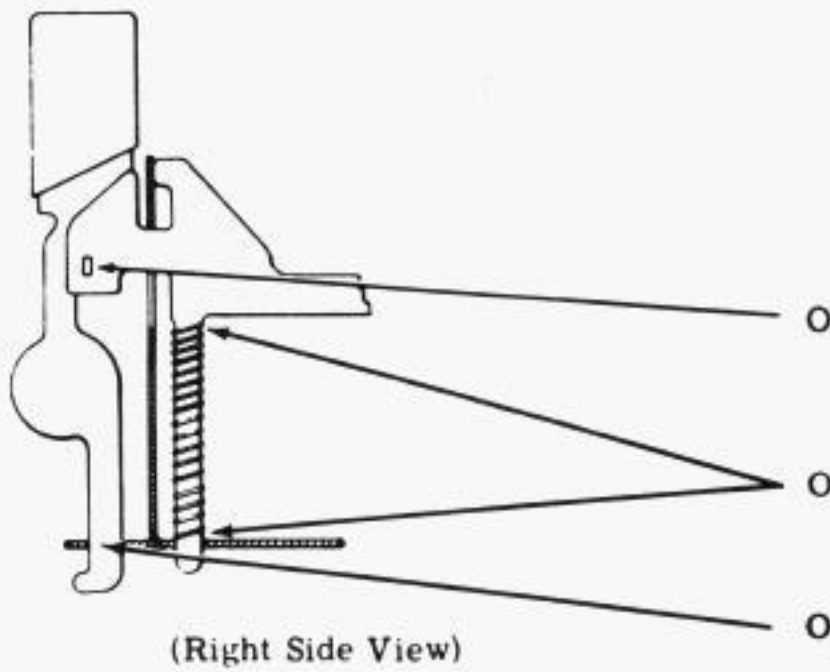
Areas Between Bars

Codebars

Contact Surface

Keylever Springs

2.03 Spacebar



Contact Surfaces (5)

Space Lever

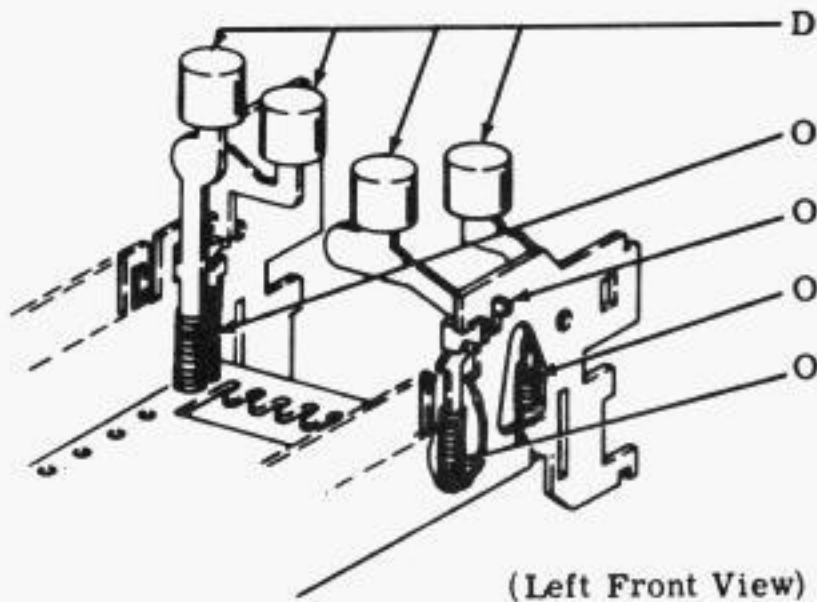
Seat (Each End)

Springs (2)

Sliding Surfaces

Space Lever

2.04 HERE IS, BREAK, and REPT Keylevers



Top Surface

Keytops

Seat (Each End)

Springs

Contact Surfaces

Keylevers

Seat (Each End)

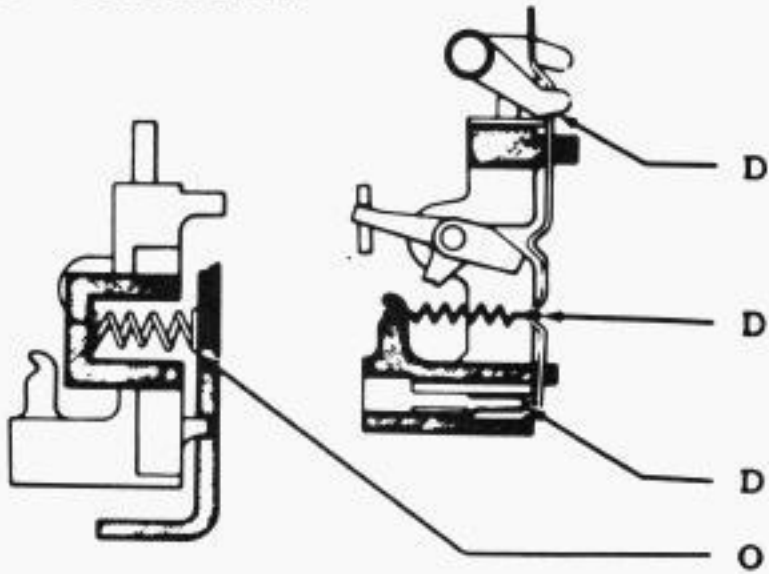
Spring

Seat (Each End)

Spring

SECTION 574-171-701TC

2.05 Contact Block

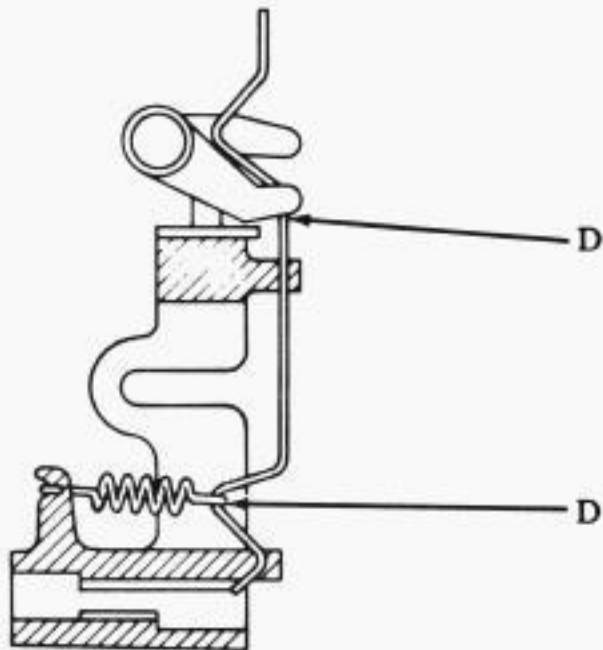


(Front Views)

- |           |                 |               |
|-----------|-----------------|---------------|
| Callout D | Contact Surface | Contact Wires |
| Callout D | Springs         | Contact Wires |
| Callout D | Contact Surface | Contact Wires |
| Callout O | Seat            | Springs (2)   |

Note: Requirement is for 4-row 5-level keyboards only.

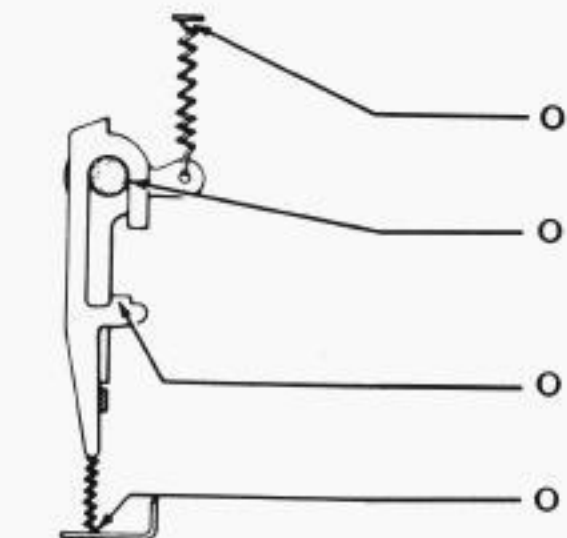
2.06 LTRS-FIGS Detent



(Front View)

- |           |                 |        |
|-----------|-----------------|--------|
| Callout D | Contact Surface | Detent |
| Callout D | Spring          | Detent |

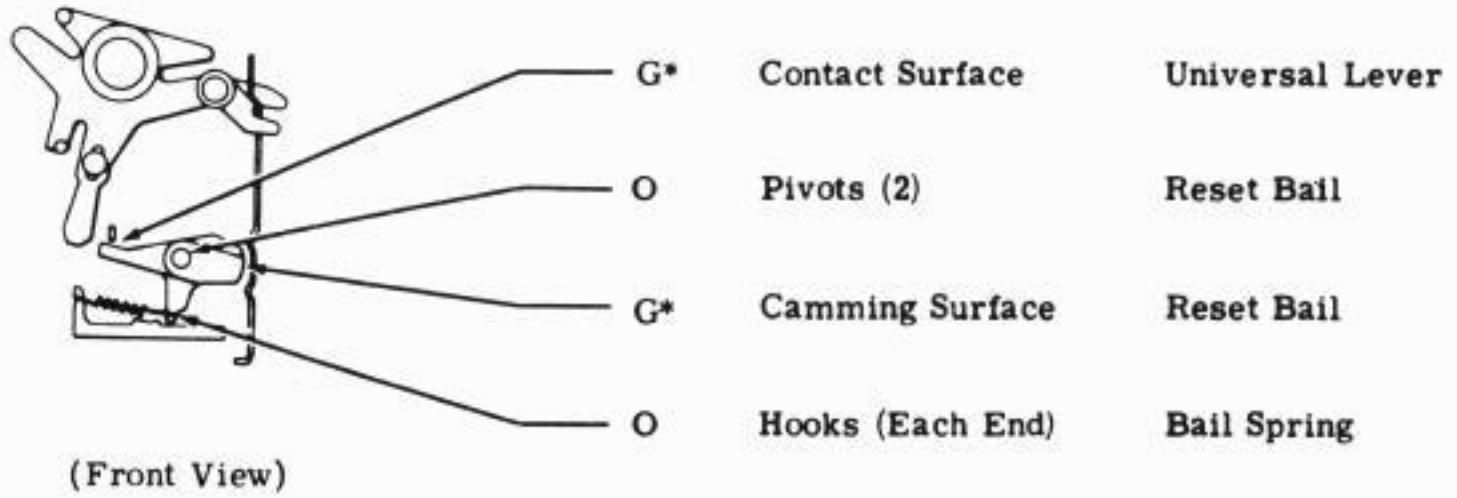
2.07 Latchlever Hooks



(Front View)

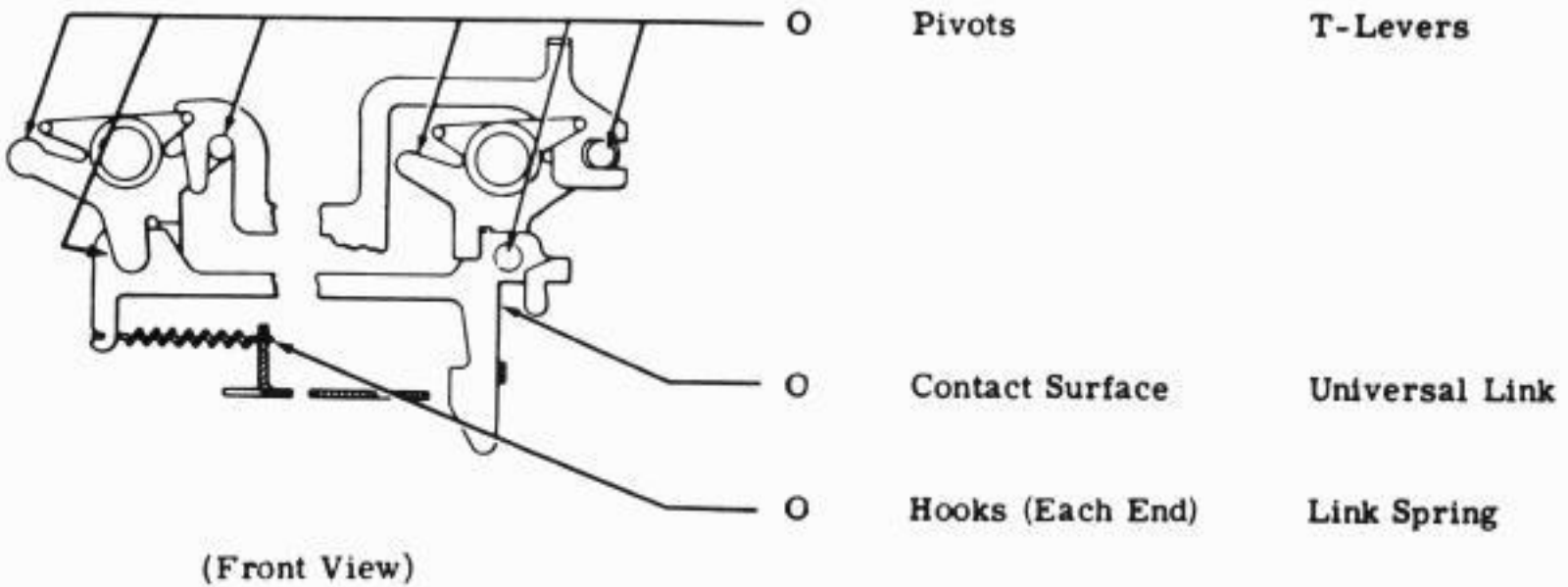
- |           |                  |                                |
|-----------|------------------|--------------------------------|
| Callout O | Hooks (Each End) | Latchlever Spring              |
| Callout O | Pivot            | Latchlever and Nonrepeat Lever |
| Callout O | Contact Surface  | Latchlever                     |
| Callout O | Hooks (Each End) | Nonrepeat Spring               |

2.08 Reset Bail

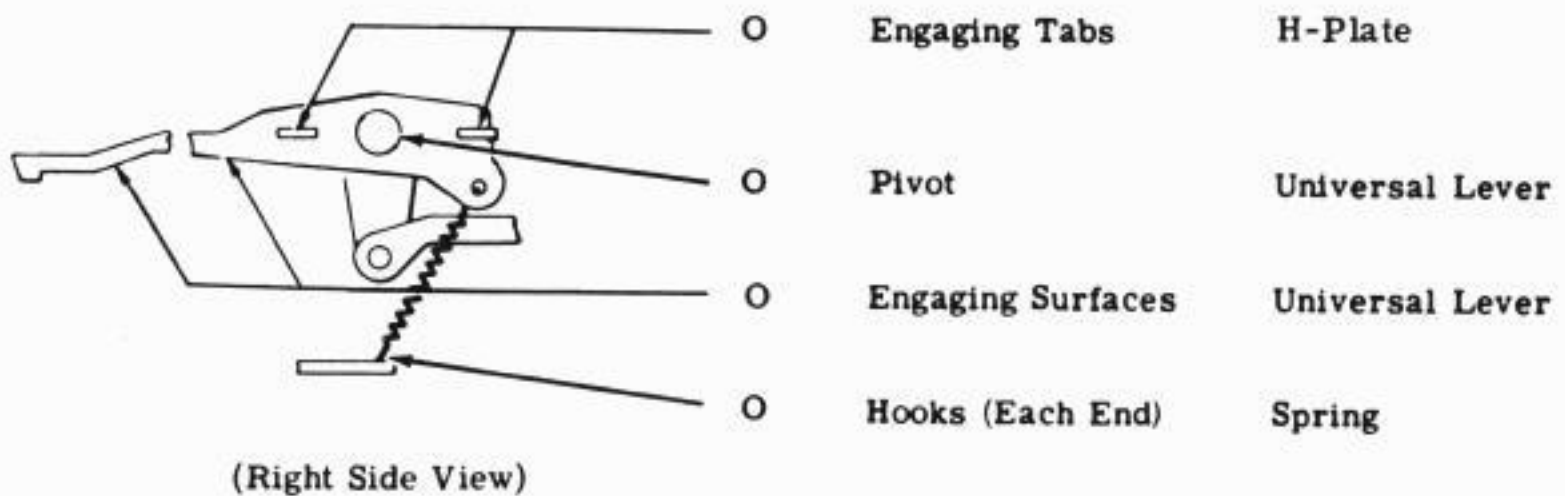


\*At 1500 hour lubrication intervals, apply an equally well-mixed coat of TKS7470 oil and TKS7471 grease. ←

2.09 Codebar Mechanism



2.10 Universal Lever



→ 3. VARIATION TO BASIC UNIT

3.01 Locking Mechanism

