

SWITCHING SYSTEMS MANAGEMENT
NO. 1 ELECTRONIC SWITCHING SYSTEM
OPERATIONAL FEATURES
RECORDED ANNOUNCEMENTS

CONTENTS	PAGE	FIGURES
1. GENERAL	1	1. Recorded Announcement Frame 7
2. DESCRIPTION OF ANNOUNCEMENT FRAME	2	2. Recorded Announcement Summary 8
3. RECORDING PROCEDURES	2	3. Example Problem—Daily Traffic 16
4. USAGE OF RECORDED ANNOUNCEMENTS	2	4. Diagram of Recorded Announcement Facilities 17
5. RECORDED ANNOUNCEMENT CHANNEL ASSIGNMENT	3	
RECORDED ANNOUNCEMENT SUMMARY	3	1. GENERAL
DAILY TRAFFIC	3	1.01 This section describes the recorded announcement facilities in No. 1 Electronic Switching System (ESS) office.
ANTICIPATED TRAFFIC	3	1.02 Whenever this section is reissued, the reason for reissue will be listed in this paragraph.
DAILY TRAFFIC ANALYSIS	4	1.03 The title for each figure includes numbers in parentheses which identifies the paragraphs in which the figure is referenced.
ASSIGNMENT OF SUPPLEMENTARY UNITS	4	1.04 Various standard tones or announcements are used to inform customers and operators of conditions encountered during the progress of a call. Access to any of these facilities is via a tone or recorded announcement circuit. Circuits of this type are located on the universal trunk frame and are connected to the required tone or announcement equipment.
6. ANNOUNCEMENT MONITORING	4	
7. VOICE ALARMS	5	
8. RECOMMENDED STANDARD ANNOUNCE- MENTS	5	
9. TRAFFIC MEASUREMENTS	5	1.05 An ESS announcement frame is equipped with six channels, each of which is capable of recording an 11.2-second announcement message.
10. ADMINISTRATIVE REQUIREMENTS	5	

NOTICE

Not for use or disclosure outside the
 Bell System except under written agreement

SECTION 6d(5)

Each channel is associated with a particular trunk group number (TGN).

1.06 The network administrator will be responsible for the administration of recorded announcements as described in Part 10.

2. DESCRIPTION OF ANNOUNCEMENT FRAME

2.01 The recorded announcement frame (Fig. 1) is a single-bay frame, 2 feet 2 inches wide. Six announcement channels are provided on each announcement frame. Each basic announcement channel unit uses distributing resistors to serve up to 20 announcement trunks. If more than 20 announcement trunks for each channel are required, a supplementary unit may be used. A maximum of 16 frames to provide 96 separate announcements may be installed in a No. 1 ESS office (CTX-5 and higher).

2.02 After connection to an audible ring and recorded announcement trunk, the first signal a customer hears is audible ring. When the announcement drum reaches the silent period, a signal is sent from the announcement circuit which alters the trunk state and the customer receives the announcement. The customer is connected during the silent period, since barge in is not permitted on these announcements. The announcement will continue until the customer disconnects.

3. RECORDING PROCEDURES

3.01 Announcements are made using the call director mounted on the recorder announcement (RA) frame (Fig. 1). To record a message proceed as follows:

- (1) Remove the handset from its cradle and operate the ANN key associated with the desired channel.
- (2) In 36 to 48 seconds the ANN key lamp will be lighted momentarily.
- (3) Operate and hold the RCD key. The ANN key lamp will flash twice. Do not speak into the handset until the third flash.
- (4) When this occurs, record the message and release the RCD key. The message must be complete before the fourth flash of the ANN key lamp which restricts the length of the

announcement to 11.2 seconds. Operate the RLS key.

(5) After announcements are recorded, monitor them as described in Part 6 for quality and completeness.

4. USAGE OF RECORDED ANNOUNCEMENTS

4.01 Announcements are used when the condition encountered requires explanation for both customers and operators. Announcements also suggest the appropriate action to be taken. The following situations would be candidates for recorded announcements:

- **Intertoll**

All trunks busy

Disaster

- **Switching blockage**

No dial tone situations

Switching path busy

Transmitter overload

- **Misdialing**

Access code dialed in error

Access code not dialed

Vacant code

Partial Dial (insufficient digits)

- **Number intercepted**

Blank number

Centrex nonworking station

Common centrex announcement (intra-centrex calls)

Private branch exchange (PBX) service converted to centrex

- **Other**

- Receiver off hook
- Dial tone first
- Custom calling
- Network management control
- Work stoppage.

4.02 The recommended announcements associated with these situations are in Dial Facilities Management Practices, Division H, Section 1b(13), Tones and Announcements.

5. RECORDED ANNOUNCEMENT CHANNEL ASSIGNMENT

5.01 The maximum of 96 recorded announcement channels, available with the ESS (CTX-5 and higher), provide adequate arrangements for detailed customer instruction via the various recorded messages. Connections to recorded announcements are established via routing, trunk and miscellaneous (1500 series) translations. Refer to Translations Guide (TG-1A) for the required translations for recorded announcements.

RECORDED ANNOUNCEMENT SUMMARY

5.02 The network administrator should ensure that enough trunks are available to handle traffic requirements for each recorded announcement channel. A monthly surveillance is recommended to detect changes in customer calling characteristics. After an analysis of traffic requirements is made, trunks may be moved between channels to balance the traffic load. If trunk groups are near capacity after rebalance, request additional trunks from engineering. To provide a means of monthly surveillance, use the Recorded Announcement Summary (Fig. 2). Both current and anticipated future traffic volumes can be analyzed by using this summary.

DAILY TRAFFIC

5.03 To evaluate current daily traffic, the network administrator should determine if there are enough trunks to satisfy the traffic demand. This can be determined by looking at the completed Recorded Announcement Summary, average busy season engineered capacity (column 6) and average monthly hundred call seconds (CCS) (column 7). If

there are adequate trunks, the average busy season engineered capacity will be equal to or greater than the average monthly CCS (column 6 \geq column 7).

ANTICIPATED TRAFFIC

5.04 Anticipated traffic may be divided into two groups, growth and new service.

A. Growth—Anticipated Traffic

5.05 In planning for traffic growth, it is necessary to determine if the existing announcement trunks will carry the anticipated traffic. For example, assume that there is a plan to double the working lines in an office. Based on the traffic carried today, as shown on the Recorded Announcement Summary, it can be determined if the present engineered capacity will be sufficient to carry the anticipated growth.

B. New Service—Anticipated Traffic

5.06 New service offerings may create conditions which will result in increased announcement trunk usage. Each new service should be carefully analyzed to determine what, if any, affect it may have on announcement trunk requirements. For example, a large business customer converting to centrex will require intercept of the old number. The network administrator, using the Recorded Announcement Summary, should determine if there is a channel with sufficient trunks to meet the anticipated requirements.

5.07 The adequacy of announcement trunk capacity can be determined by comparing the anticipated traffic to average busy season engineered capacity (column 6) on the summary form for the respective channel. There will be adequate capacity if the average busy season engineered capacity (column 6) is equal to or greater than the anticipated traffic (column 6 \geq anticipated traffic).

5.08 If the above analyses shows sufficient trunks are not available, the following action should be taken.

- (1) Determine if surplus capacity is available in another channel of the same trunk type. Calculate how many trunks can be removed by comparing average busy season engineered capacity (column 6) to the average monthly CCS

SECTION 6d(5)

(column 7) on the summary form. If average busy season engineered capacity (column 6) is greater than average monthly CCS (column 7), determine from the Poisson Capacity Table 10 (Fig. 2, sheet 6) how many trunks are surplus. Request a transfer of some of these surplus trunks to the channel with the insufficient trunk capacity.

(2) If there is no surplus trunk capacity available for the anticipated requirements, it will be necessary to request engineering to provide more trunks. However, recognize that the number of leads available at each channel will determine the maximum number of trunks that can be assigned to that channel.

DAILY TRAFFIC ANALYSIS

5.09 Figure 3 is an example of a problem identified by analysis of the Recorded Announcement Summary. As shown in Fig. 3, column 8, the vacant code announcement (channel 2) is experiencing overflow and appears to have insufficient trunk capacity.

(1) **Analysis:** The average monthly CCS (column 7) is 105 CCS. Entering the Poisson Capacity Table 10 with this figure, the table shows that eight trunks are required. However, column 5, number of trunks, shows that there are only six trunks assigned. Two more trunks should be added to channel 2.

(2) **Solution:** This particular shortage could be corrected in the following manner: First it must be determined if surplus capacity is available in another channel of the same trunk type. The dial tone first announcement has an average busy season engineered capacity of 126 CCS with an average monthly CCS of 15. Some trunks can be moved from this channel (channel 4) to channel 2. To determine how many trunks may be used, locate 15 CCS in the Poisson Capacity Table 10 and determine how many trunks are required to carry the 15 CCS. The table shows that three trunks are needed. There are nine trunks (column 5) assigned to channel 4. Therefore, up to six trunks could be transferred from this channel. Assuming that there are enough channel outputs and trunk leads, two trunks could be moved from channel 4 to correct this problem.

ASSIGNMENT OF SUPPLEMENTARY UNITS

5.10 If more than 20 announcement trunks for each channel are required, a supplementary unit may be used. A maximum of 15 supplementary units may be used with one RA frame. However, a maximum of three supplementary units can be used with one channel. Each supplementary unit will provide connections for 32 trunks. Therefore, the maximum number of trunks that can be served from one channel on a RA frame is 116 (20 basic + 3 (32) supplementary = 116). See Fig. 4.

5.11 The network administrator should ensure that enough trunk terminations are available for anticipated growth, or administrative spare. Spare trunks may be moved to any channel within the same frame, so long as there are output leads available and trunk types are compatible.

6. ANNOUNCEMENT MONITORING

6.01 *Monitoring of announcement at the RA frame using the call director.*

To monitor announcements proceed as follows:

- (1) Remove handset from cradle.
- (2) Operate ANN key for desired channel.
- (3) In 36 to 48 seconds—ANN key lamp is lighted momentarily.
- (4) Monitor announcement.
- (5) Operate RLS key.
- (6) Replace handset on cradle.

6.02 *Monitoring of announcements at RA frame using a headset.* To monitor announcements proceed as follows.

- (1) At RA frame—Connect headset to headset (HS) jacks.
- (2) Operate CHANNEL TEST key for desired channel.
- (3) In about 36 seconds—Recorded announcement is connected to HS jacks.
- (4) Monitor announcement.

(5) Operate CHANNEL TEST—NOR key.

(6) Remove handset from HS jacks.

6.03 Monitoring of recorded announcements remotely, from the network administrator location. The following procedure may be used to monitor the quality of recorded announcements from the customer's viewpoint. The network administrator should simulate the conditions required for a particular announcement, ie, to monitor the access code not dialed announcement, the network administrator should dial a long distance number without dialing one first (if the office has one plus dialing). The recorded announcement explaining that the access code was not dialed should then be heard, clearly and distinctly.

7. VOICE ALARMS

7.01 Voice alarms are activated whenever the channel voice level falls below a preset level for a preset period of time. This alarm could be due to a reduction in the voice level because of circuit conditions, a fuse or power failure in the voice amplifier, or because the announcement drum stopped. Until appropriate action is taken by maintenance personnel, all subsequent requests for the announcement will receive overflow. Because of voice alarms, some announcement must be placed on each channel to keep the alarm from operating.

8. RECOMMENDED STANDARD ANNOUNCEMENTS

8.01 For a list of the AT&T recommended standard announcements, refer to Dial Facilities Management Practices, Division H, Section 1b(13).

9. TRAFFIC MEASUREMENTS

9.01 Traffic measurements should be assigned to the trunk group associated with each announcement channel. The measurements may be assigned to the C or H schedule. The recommended measurements are peg count, maintenance usage, usage, and overflow. The assignment procedures may be found in Dial Facilities Management Practices, Division H, Section 6i(2), Traffic Measurements—Hourly.

10. ADMINISTRATIVE REQUIREMENTS

10.01 The network administrator is responsible for the following administrative items:

(1) **Sufficient Quantity of Announcement Channels:** The network administrator should ensure that enough announcement channels are available to meet demand. Check equipment order for number of channels engineered.

(2) **Sufficient Trunk Capacity:** The network administrator should ensure that enough trunks are available to handle traffic requirements for each recorded announcement channel.

(3) **Determine the Recorded Announcement:**

(a) **Recommended Announcement:** Standard announcements are found in Dial Facilities Management Practices, Division H, Section 1b(13).

(b) **Special Announcement:** Specific situations which do not have a standard announcement will require a locally prepared announcement.

(4) **Record Announcement:** Record announcements as described in Part 3 of this practice.

(5) **Monitor Quality of Announcement:** Monitor announcements as described in Part 6 of this section. Make sure that the announcement is complete and can be heard clearly.

(6) **Read Traffic Registers:** Establish routine to read traffic registers assigned to the trunk group associated with this channel. Take appropriate action to adjust the trunk group size as required.

(7) **Sufficient Quantity of Announcement Circuit Leads:** The network administrator is responsible for ensuring that enough circuit leads are available for each RA frame. The network design engineer along with the network administrator should decide on the quantity. Circuit leads come in multiples of six circuits/unit as stated in E-8056 No. 1 ESS Equipment Questionnaire and Equipment notes. Care should

SECTION 6d(5)

be exercised to ensure that enough circuit leads and associated trunks are available to satisfy anticipated traffic.

(8) It is also recommended that the network maintenance people have a copy of recorded

announcements listed by frame and channel numbers. This list should be located near the RA frame.

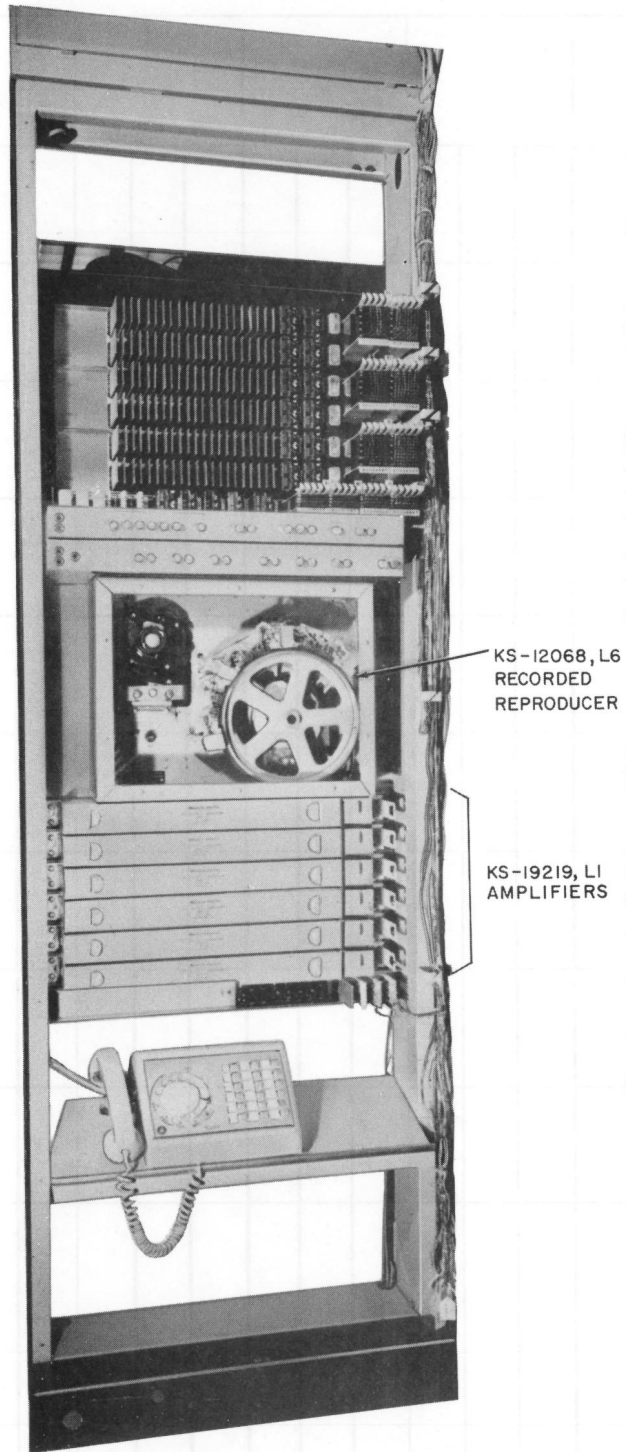


Fig. 1—Recorded Announcement Frame (2.01, 3.01)

(8) (2) (3) (4) (5) (6) (7) (8) (9) (10) (11) (12) (13) (14) (15) (16) (17) (18) (19) (20) (21) (22) (23) (24) (25) (26) (27) (28) (29) (30) (31) (32) (33) (34) (35) (36) (37) (38) (39) (40) (41) (42) (43) (44) (45) (46) (47) (48) (49) (50) (51) (52) (53) (54) (55) (56) (57) (58) (59) (60) (61) (62) (63) (64) (65) (66) (67) (68) (69) (70) (71) (72) (73) (74) (75) (76) (77) (78) (79) (80) (81) (82) (83) (84) (85) (86) (87) (88) (89) (90) (91) (92) (93) (94) (95) (96) (97) (98) (99) (100)

ENTRIES ON RECORDED ANNOUNCEMENT SUMMARY

Column

1. Route indices and recorded announcements are listed on the following pages.
2. Announcement frames are listed on form ESS 1506.
3. Channel numbers are listed on form ESS 1506. (See TG1A, Division 3, Section 5J.)
4. Trunk group numbers can be verified from form ESS 1303. (See TG1A, Division 3, Section 3D.)
5. Number of trunks are listed on form ESS 1202. (See TG1A, Division 3, Section 2C.)
6. Average busy season engineered capacity is determined by entering the number of trunks into the Poisson Capacity Table 10 (P.01). See sheet 6 of this figure.
7. Average monthly CCS should be obtained from PATROL or manual monthly reports.
8. Average monthly overflow should be obtained from PATROL or manual monthly reports.
9. *Channel Output Leads*: The number of outputs supplied at each channel of the recorded announcement frame, 20 basic plus supplementary unit of 32 outputs per unit (record on page C-8 or E-8056). See sheet 8 of this figure.
10. *Recorded Announcement and Tone Trunk Leads*: Number of trunks available from miscellaneous trunk frame (record on page B-28 of E-8056). See Fig. 4.

Fig. 2—Recorded Announcement Summary (Sheet 2 of 8) (5.02, 5.08)

COLUMN

1. — *Type of Circuit:* In this column a list of recorded announcement route indices are listed. Explanation of these circuits are listed below:

RI0053 — Access Code Dialed in Error: This Route Index is used to route calls where "1" Access Codes are dialed but should not have been dialed. Enter the Trunk Group Number assigned to the trunks that furnish the type of intercept desired for these calls. This Route Index is screened and routed based on the entries found for ESS 1304, Columns 32 and 33. SD-1A221 — CPI 079 (Non-Barge-in Announcement). Cut-Thru to Operator feature (CTX-6 and higher) may be applied to this Route Index.

RI0054 — Access Code Not Dialed: This Route Index is used to route calls where "0" or "1" were not dialed, but they are required. Enter the Trunk Group Number assigned to the trunks that furnish the type of intercept desired for these calls. This Route Index is screened and routed based on the entries on the ESS 1304 Form, Columns 32 and 33. SD-1A221 — CPI 079 (Non-Barge-in Announcement). Cut-Thru to Operator feature (CTX-6 and higher) may be applied to this Route Index.

RI0055 — Person-to-Person Not Allowed: This Route Index is used by the Generic Program when a person attempts to dial a 0+ call from a line that is restricted from this service. The Trunk Group Number assigned to this Route Index should be for the trunks that furnish the type of intercept desired for these calls. SD-1A221 — CPI 079 (Non-Barge-in Announcement). Cut-Thru to Operator feature (CTX-6 and higher) may be applied to this Route Index.

RI0087 — Special Service — Error: This Route Index is used to route calls to intercept when a POTS customer dials an Access Code from which his line is restricted (1XX, 11XX, 72 and 73), when attempting to call forward to a restricted remote station, or if speed calling is incorrectly used in specifying the remote station. Assign the Trunk Group Number for the trunks that will route to the desired intercept treatment on these calls. SD-1A221 — CPI 079 (Non-Barge-in Announcement).

RI0089 — Vacant Code: Assign the trunk group that provides Vacant Code Announcement. All Vacant Codes in the three-digit and foreign area translators should route to this Route Index except those which require special customer instruction as locally determined. These may be routed to an operator or a special announcement. Cut-Thru to Operator feature (CTX-6 and higher) may be applied to this Route Index. SD-1A221 — CPI 079 (Non-Barge-in Announcement).

RI0091 — Receiver Off-Hook Announcement: This Route Index is used by the program to route lines on permanent signal to an announcement and hold the line while it is being connected to ROH tone (RI0121) and then to permanent signal operator clearing if furnished (RI0117 or 0118). Do not assign a Directory Number to this Route Index. SD-1A222 — CPI 080.

RI0115 — Call Forwarding Denied Announcement: With CTX-7 and later generics, this Route Index is used when the Call Forwarding Usage Sensitive feature is provided (ESS 1500D Form, Item 11). The announcement will inform a customer attempting to initiate Call Forwarding that the system is unable to process the Call Forwarding request. This may be due to machine limitations; such as, the request exceeds the quantity provided by Item 11 of ESS 1500D form, insufficient space in the recent change area of Call Store, inability to seize an AMA register during activation. This Route Index will not apply to Centrex Call Forwarding customers. The announcement is not provided if Item 11 of ESS 1500D Form is blank. SD-1A221 CPI 079 (Non-Barge-in Announcement).

Fig. 2—Recorded Announcement Summary (Sheet 3 of 8) (5.02, 5.08)

COLUMN

RI0122 – Partial Dial: This Route Index is used for routing partial dial calls to announcement, operator, tone, or recording, according to local practices. The program will use this Route Index when a Customer Digit Receiver times out on interdigital timing before it has received enough digits to route a call. Do not assign a DN to this RI. SD-1A222 – CPI 080.

RI0140 – Ten-Digit Call Misdialed Office Code: This Route Index is used in offices having six-digit translation and where a misdialed office code (NNX) is to be routed to an announcement or to vacant code announcement.

The following conditions will cause a call to be routed to this announcement:

NPA + NNX with a “0” or “1” as the fourth digit.

NPA + NNX with a “0” or “1” as the fifth digit and “E” digit unblocking has not been indicated.

NPA + the digits “411”.

SD-1A221 – CPI 079 (Non-Barge-in Announcement).

RI0150 – Common Intercept: This is the Route Index for the announcement circuit used to intercept the following types of Centrex-CO (non-attendant) originated calls:

- (a) To vacant and disconnected extensions in the same Centrex-CO unit.
- (b) A fully-restricted station dialing the attendant (via “0”).
- (c) To invalid number sequences (i.e., those assigned Data Type 00).
- (d) To vacant codes (tie trunks, simulated facilities, POTS) which the station is restricted from dialing (either because of his Originating Major Class Code or his Treatment Code).
- (e) To the LDN of the same Centrex unit via “9+LDN”.

SD-1A218 – CPI 078 (Barge-in Announcement), SD-1A221 – CPI 079 (Non-Barge-in Announcement).

RI0154 – Initial Announcement for Dial Tone First: This Route Index is used in the “Dial Tone First” program for an announcement which will inform the customer that the initial coin deposit was not made and is required to complete the call. SD-1A221 – CPI 079 (Non-Barge-in Announcement).

RI0155 – Coin Overtime Prompt Announcement: This Route Index is used in the coin overtime program. It will apply one cycle of announcement prior to routing to an operator. SD-1A222 (modified) – CPI 080.

RI0160 – CAMA Access Code Dialed in Error: This Route Index is used to route calls to an announcement if the “1” access code is dialed, (non-common control offices) attempting completion over an incoming CAMA trunk group when the call does not require CAMA recording. Enter the Trunk Group Number assigned to the trunks that furnish the type of intercept for these calls and the option desired. SD-1A221 – CPI 079 (Non-Barge-in).

COLUMN

RI0180 – No Circuit Announcement (NCA): The Traffic offered to a specified trunk group can be cancelled on a percentage basis (50%, 75%, or 100%) using the network management “cancel to” control. Traffic affected by “cancel to” control will not be offered to any alternate route. It will however, be routed to “NCA” (No Circuit Announcement) via this Fixed Route Index.

Traffic overflowing from a specified trunk group can be cancelled on a percentage basis (50%, 75%, or 100%) using the network management “cancel from” control. Traffic affected by “cancel from” control will not be offered to any other route. It will however, be routed to “NCA” (No Circuit Announcement) via this Fixed Route Index. Traffic affected by code blocking, as described below (RI0181-0182), may also be routed to “NCA” (No Circuit Announcement) via this fixed route index. SD-1A221 – CPI 079 (Non-Barge-in Announcement).

RI0181-0182 – Emergency Announcement No. 1 and No. 2: These Route Indexes are used in offices utilizing the network management feature, CTX-6 and higher Generic Programs. Code blocking is a feature of network management which is activated manually by teletypewriter request. Up to 31 codes may be blocked at any one time. For each code to be blocked, the Network Administrator, and Network Manager can specify the percentage of traffic to be blocked (50%, 75%, or 100%). Traffic affected by code blocking will be routed to emergency announcement via one of these Fixed Route Indexes which is specified by the teletypewriter request. SD-1A221 – CPI 079 (Non-Barge-in Announcement).

RI0183 – No Circuit Announcement: This Route Index is used on Tandem calls (trunk to trunk connections) that encounter an all trunks busy, all transmitters busy, signalling errors, transmitter timeouts, or preemption failures. This Route Index is available with CTX-7 and later Generic Programs. SD-1A221 – CPI 079 (Non-Barge-in Announcement).

RI0184 – Reorder Announcement: This Route Index is used on Tandem calls (trunk to trunk connections) that encounter Network Blockage failures (Incoming Trunk to Outgoing Trunk or Transmitter to Outgoing Trunk). This Route Index is available with CTX-7 and later Generic Programs. SD-1A221 – CPI 079 (Non-Barge-in Announcement).

Fig. 2—Recorded Announcement Summary (Sheet 5 of 8) (5.02, 5.08)

POISSON CAPACITY TABLE 10 (P.01)

TRUNKS	CCS	TRUNKS	CCS
1	.4	51	1291
2	5.4	52	1322
3	15.7	53	1352
4	29.6	54	1382
5	46.1	55	1412
6	64.4	56	1443
7	83.9	57	1473
8	105	58	1504
9	126	59	1534
10	149	60	1565
11	172	61	1595
12	195	62	1626
13	220	63	1657
14	244	64	1687
15	269	65	1718
16	294	66	1749
17	320	67	1780
18	346	68	1811
19	373	69	1842
20	399	70	1873
21	426	71	1904
22	453	72	1935
23	480	73	1966
24	507	74	1997
25	535	75	2028
26	562	76	2059
27	590	77	2091
28	618	78	2122
29	647	79	2153
30	675	80	2184
31	703	81	2215
32	732	82	2247
33	760	83	2278
34	789	84	2310
35	818	85	2341
36	847	86	2373
37	878	87	2404
38	905	88	2436
39	935	89	2467
40	964	90	2499
41	993	91	2530
42	1023	92	2562
43	1052	93	2594
44	1082	94	2625
45	1112	95	2657
46	1142	96	2689
47	1171	97	2721
48	1201	98	2752
49	1231	99	2784
50	1261	100*	2816

For each server over 100 add 28 CCS to limit occupancy at 78%

Fig. 2—Recorded Announcement Summary (Sheet 6 of 8) (5.02, 5.08)

TELEPHONE COMPANY ORDER NO. _____ PAGE _____

EQUIPMENT AND MEMORY REQUIREMENTS – SECTION C – CONT'D

PRES ADD'L TOTAL

Equipment

No. 1 ESS Recorded Announcement Frame Options

	RA—			
Outputs per Channel	0	-----	-----	-----
	1	-----	-----	-----
	2	-----	-----	-----
	3	-----	-----	-----
	4	-----	-----	-----
	5	-----	-----	-----

Fig. 2—Recorded Announcement Summary (Sheet 7 of 8) (5.02, 5.08)

TELEPHONE COMPANY ORDER NO. ----- PAGE -----

SUMMARY OF EQUIPMENT - SECTION B - CONT'D

MISCELLANEOUS TRUNK FRAME - CONT'D

USE	ORDER CODE	PRES	ADDL	TOTAL	NOTES
(P) Ring Trk-SD1A188-01	07270	---	---	---	21
(P) Ring Trk-SD1A188-01	07271	---	---	---	21
(P) PCI-Trmtr - SD1A195-01	07570	---	---	---	---
PCI Xmtr Tst - SD1A196-01	07670	---	---	---	---
Combination TT Sta (SD 1A199-01 & Tst & Sta Rng Tst-1CKT/UNIT SD1A157-01)	07770	---	---	---	---
(P) Tst & Sta Rng Tst-1CKT/UNIT SD1A157-01	07771	---	---	---	---
(P) Tst & Sta Rng Tst-1CKT/UNIT SD1A157-01	07772	---	---	---	---
(P) Tst & Sta Rng Tst-1CKT/UNIT SD1A157-01	07773	---	---	---	---
(P) Tst & Sta Rng Tst-1CKT/UNIT SD1A157-01	07970	---	---	---	---
Aud R & Rec Ann - SD-1A221 Assoc	07970	---	---	---	---
(P) with 1st Ra Fr	07970	---	---	---	---
(P) 2nd Ra Fr	07970	---	---	---	---
(P) 3rd Ra Fr	07970	---	---	---	---
(P) 4th Ra Fr	07970	---	---	---	---
(P) 5th Ra Fr	07970	---	---	---	---
(P) 6th Ra Fr	07970	---	---	---	---
(P) 7th Ra Fr	07970	---	---	---	---
(P) 8th Ra Fr	07970	---	---	---	---
(P) 9th Ra Fr	07970	---	---	---	---
(P) 10th Ra Fr	07970	---	---	---	---
(P) 11th Ra Fr	07970	---	---	---	---
(P) 12th Ra Fr	07970	---	---	---	---
(P) 13th Ra Fr	07970	---	---	---	---
(P) 14th Ra Fr	07970	---	---	---	---

Fig. 2 - Recorded Announcement Summary (Sheet 8 of 8) (5.02, 5.08)

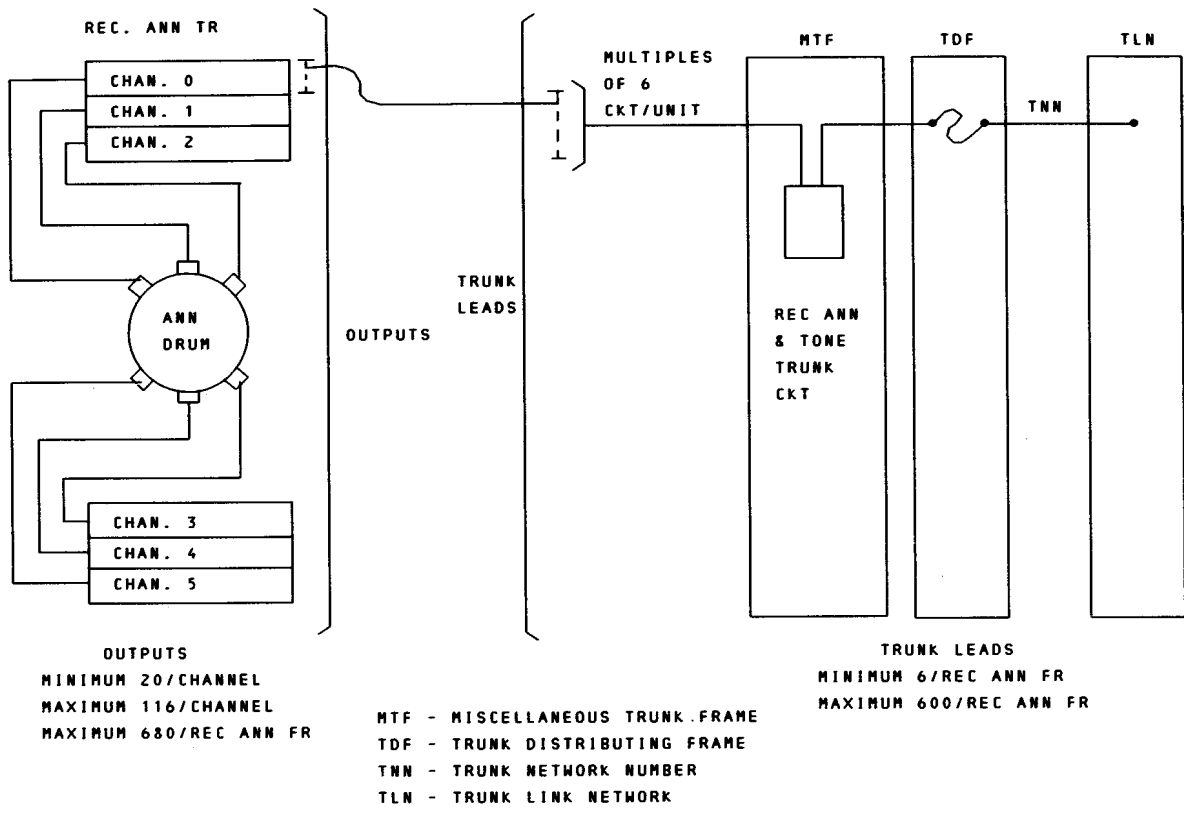


Fig. 4—Diagram of Recorded Announcement Facilities (5.10)

