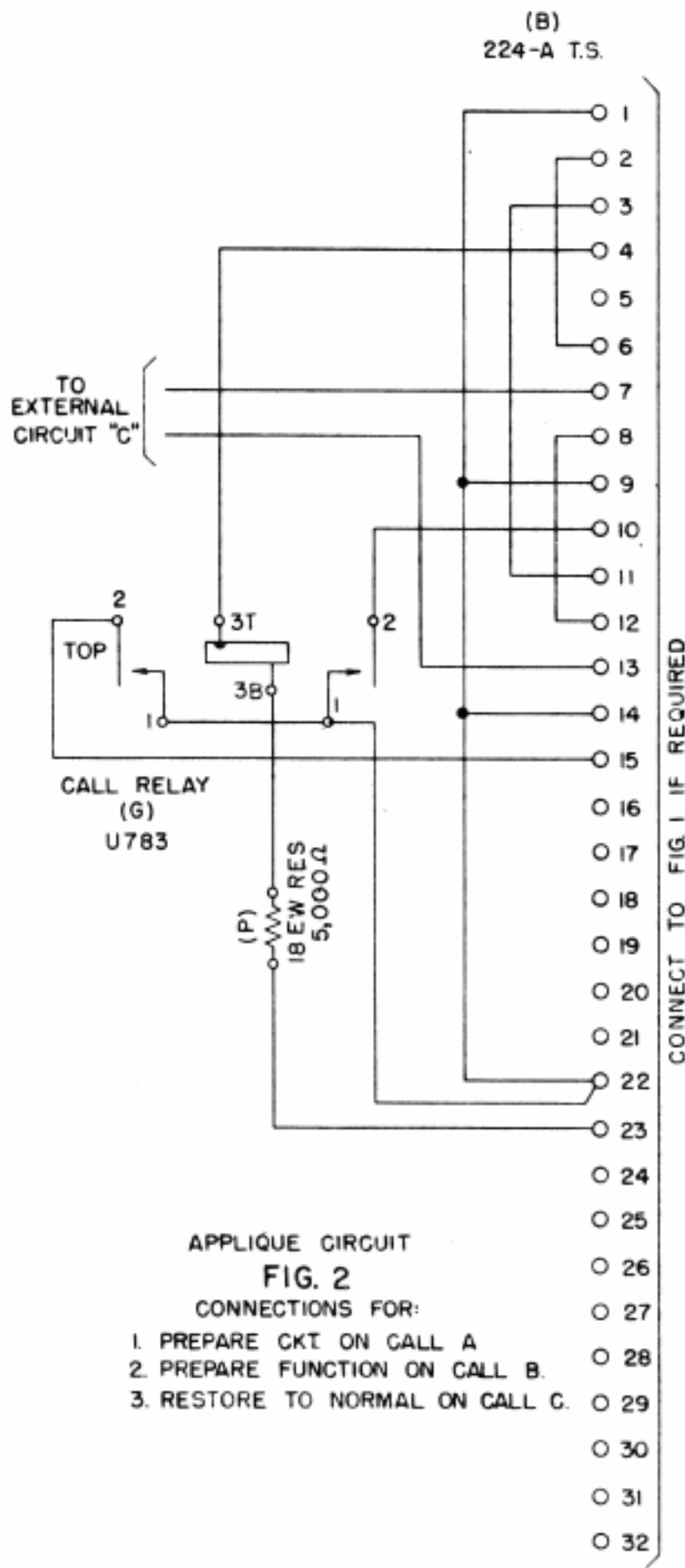
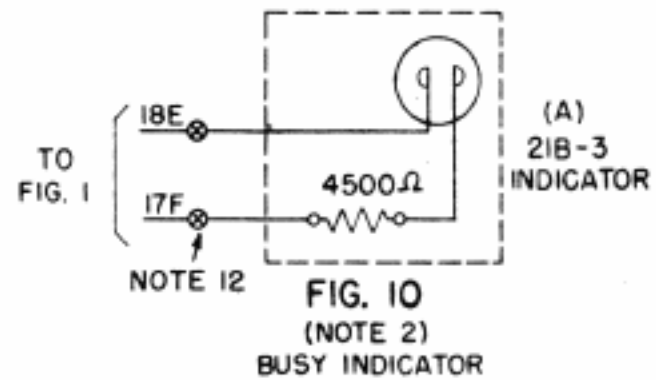


APPARATUS		MECH. REQ.			CIRCUIT PREPARATION				DIRECT CURRENT FLOW REQ.					REMARKS	
DESC.	CODE	B. S. P. FIG.	CONT. PRESS	ARM TR-V-L	BLOCK OR INSULATE	TEST CLIP DATA		TEST SET PREP.	SEE TEST NOTE	TEST WDG.	TEST FOR	AFTER SOAK	TEST		READI.
						CONN. BATT.	CONN. GR'D					M. A.	M. A.		M. A.
A, B, G	U783	101/101	H	26		3B (A)(B)(G)	3T (A)(B)(G)	NGB	7		O	33	14.4	13.7	
						3B (A)(B)(G)	3T (A)(B)(G)	NGB	7		NO	33	9.7	10.3	
						3B (A)(B)(G)	3T (A)(B)(G)	NGB	7		R	33	1.0	1.3	
C, E	Y73	175/108	H	47		6B (C)(E)	4T (C)(E)	NGB	1		O	31.5	24.5	23	
						6B (C)(E)	4T (C)(E)	NGB	1		H	31.5	3.3	3.1	
						6B (C)(E)	4T (C)(E)	NGB	1		R	31.5	.9	1.2	REMOVE 115V POWER
PR	280AJ	A				6 (PR)	3 (PR)	NGB	3/4	P	O	-50	2.4	1.2	
						6 (PR)	3 (PR)	NGB	3/4	P	NO	-50	O.C.	0.8	
						8 (PR)	1 (PR)	NGB	3/4	T	O		0.5		
H, J	280DA	A			(C) O	2 (H)(J)	6 (H)(J)	NGB	4	P ₁ /P ₂	O	-25	1.1	0.6	
A	60BC				(C) O	2 (H)(J)	6 (H)(J)	NGB	4	P ₁ /P ₂	NO	-25	O.C.	0.4	
F	UI250	111/101	H	29		3B (F)	5T (F)	NGB	2/3		O		6.3	6	

TEST NOTES

1. REMOVE WIRE FROM 4T (C)
2. " " " 3B (F)
3. " " " 1 (PR)
4. TEST PER B.S.P. B460,059

6. SET CODE WHEEL SO THAT THE FIRST CONTACT WILL MAKE AFTER THE WHEEL HAS BEEN ADVANCED 20 STEPS.
7. TEST PER B.S.P. B461,011.
8. USE 45V B BATTERY FOR TEST 8 ADJUST AND SUPPLEMENT IF NECESSARY BY 4 1/2 VOLT DRY CELL BATTERY.



CONNECT TO FIGS. 2, OR ANY APPLIQUE CIRCUIT AS REQ'D.

CONNECT TO FIG. 5 OR FIG. 10 WHEN REQUIRED

CONNECT TO FIGS. 2, OR ANY APPLIQUE CIRCUIT AS REQ'D.

CONNECT TO LOOP OR LOOP BOARD

CONNECT TO FIGS. 2, OR ANY APPLIQUE CIRCUIT AS REQ'D.

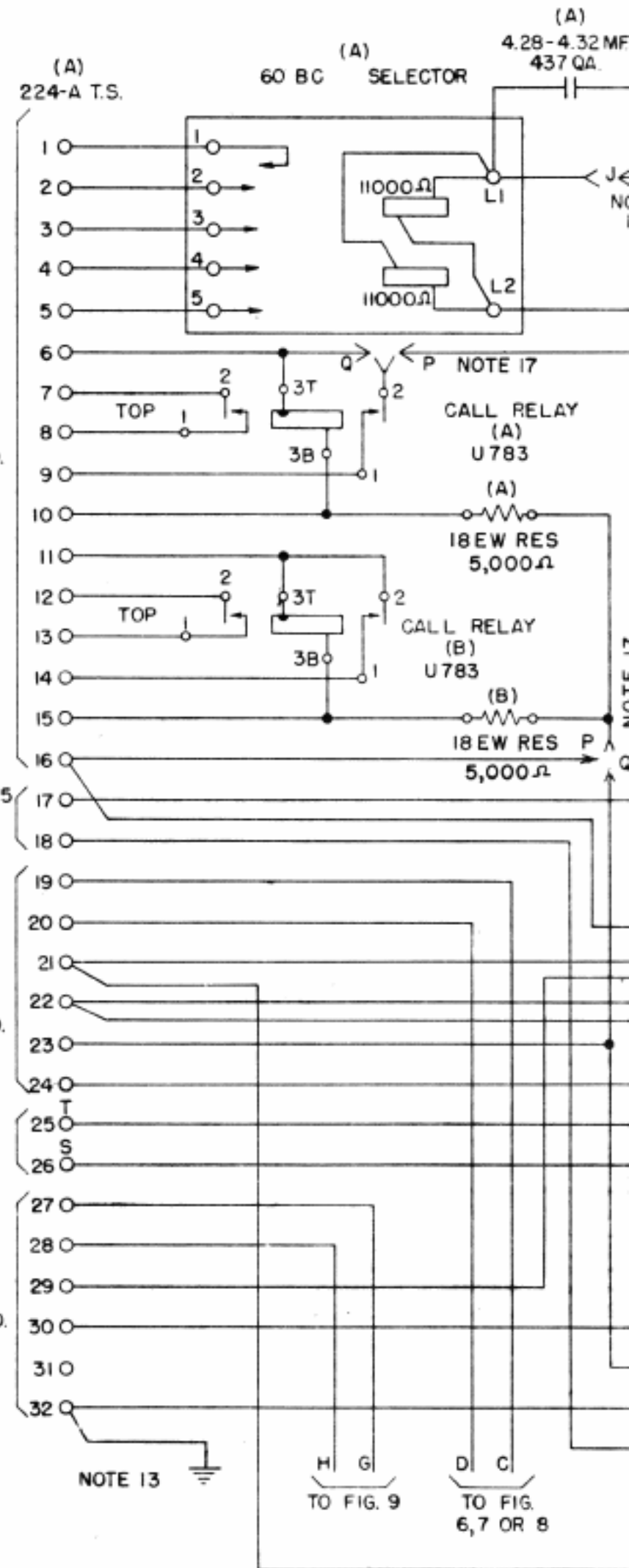
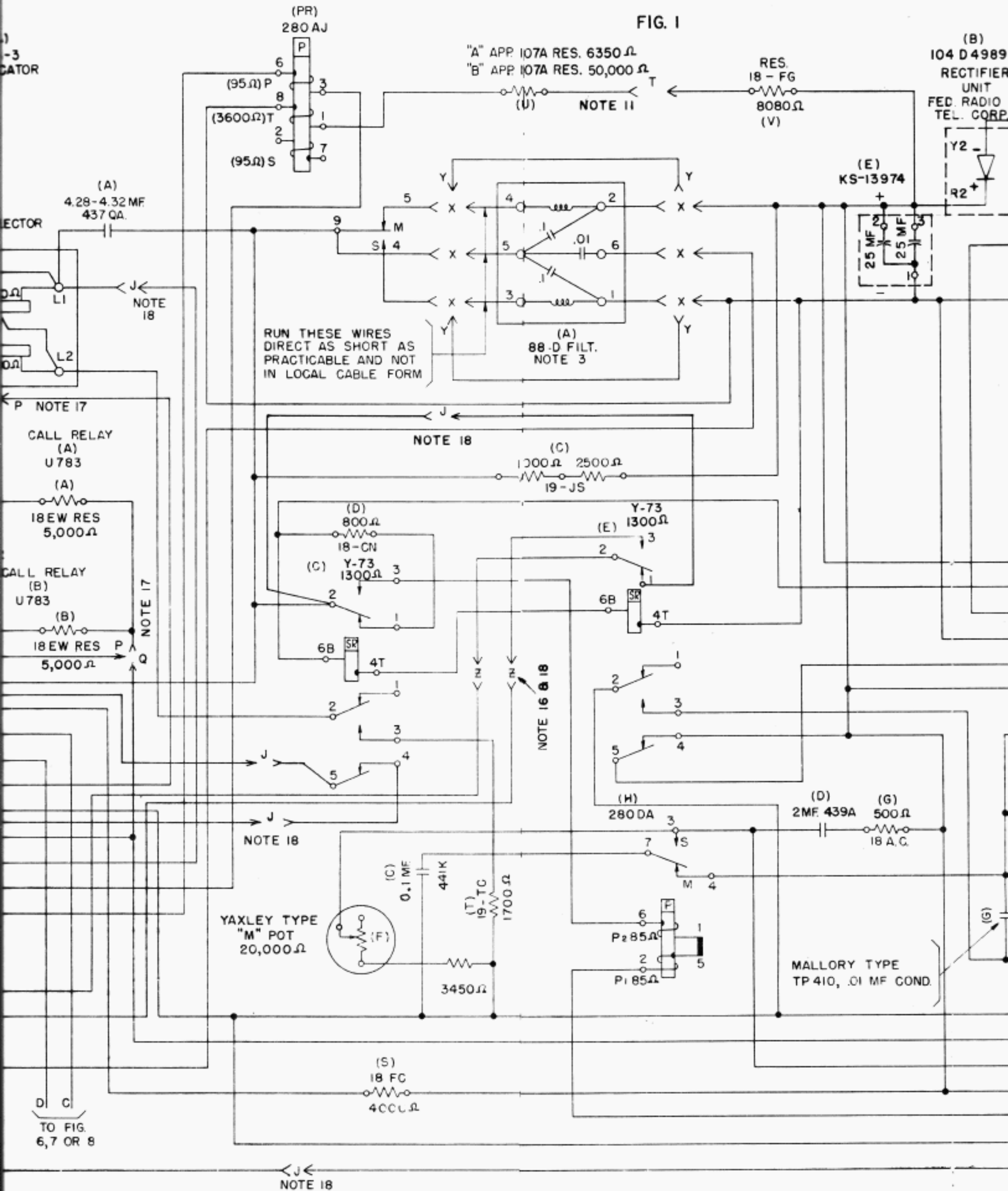
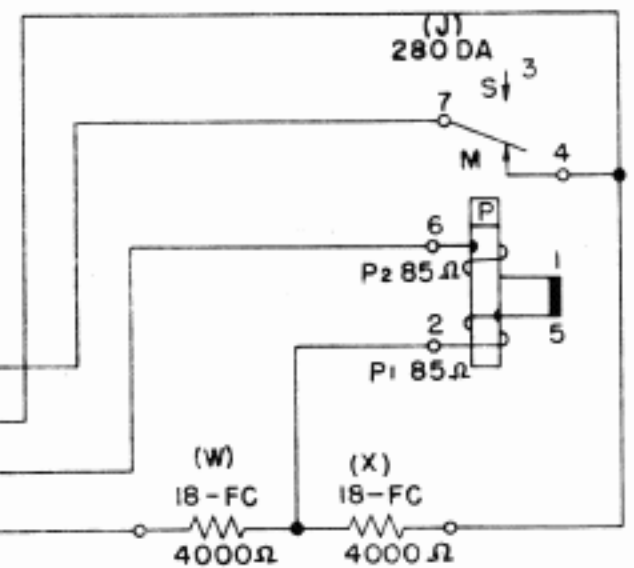
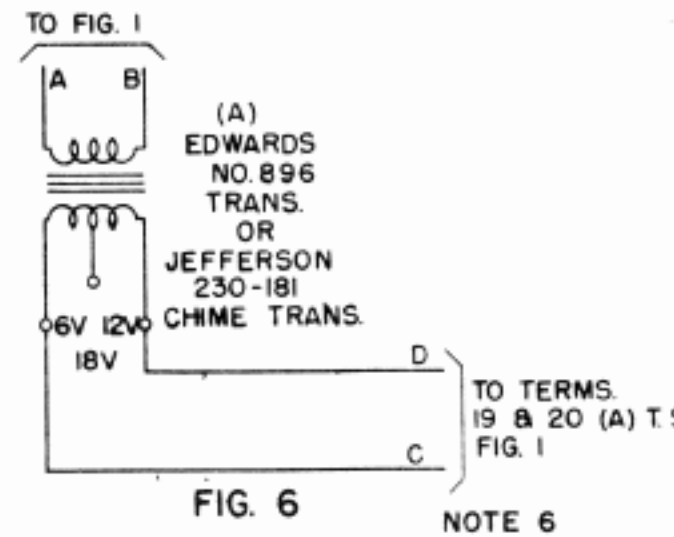
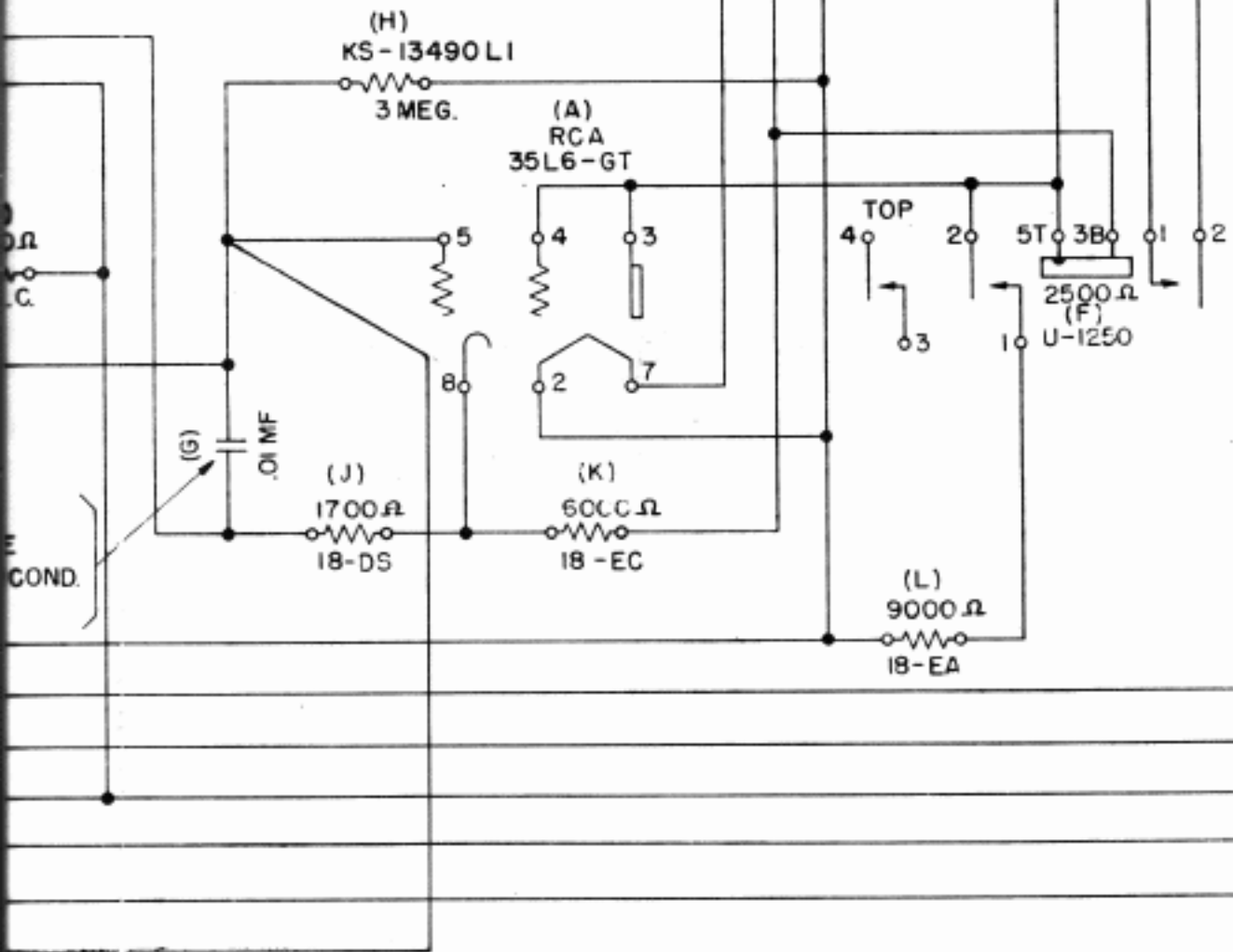
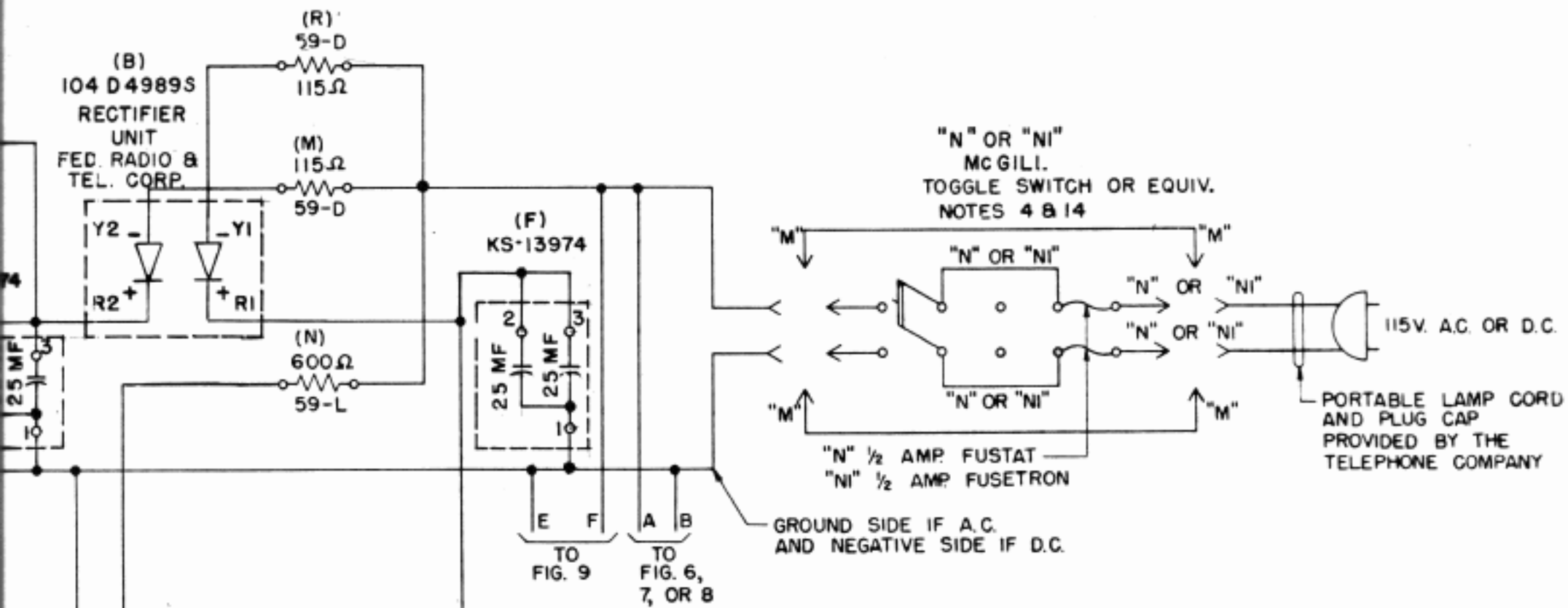


FIG. 1





REPRODUCED FROM 23116-SD-33

GARDEN

115V. A.C. OR D.C.
PORTABLE LAMP CORD
AND PLUG CAP
PROVIDED BY THE
TELEPHONE COMPANY

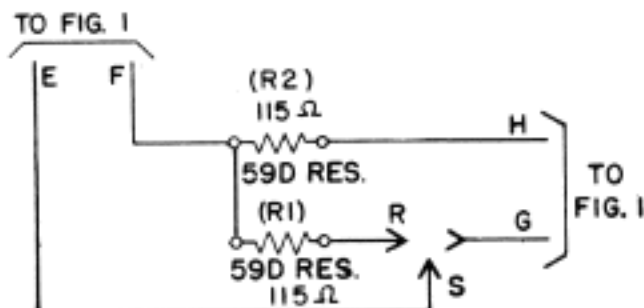


FIG. 9
NOTE 15 & 17

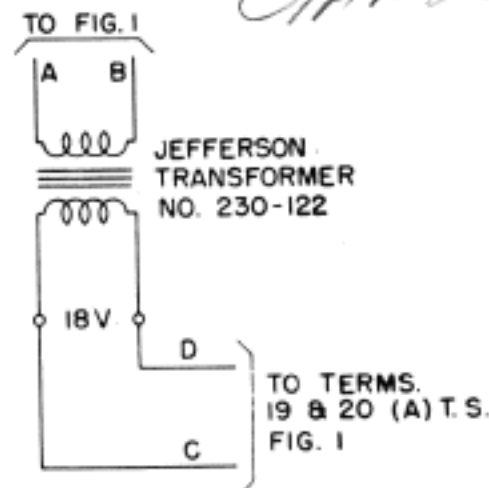


FIG. 8
NOTE 6

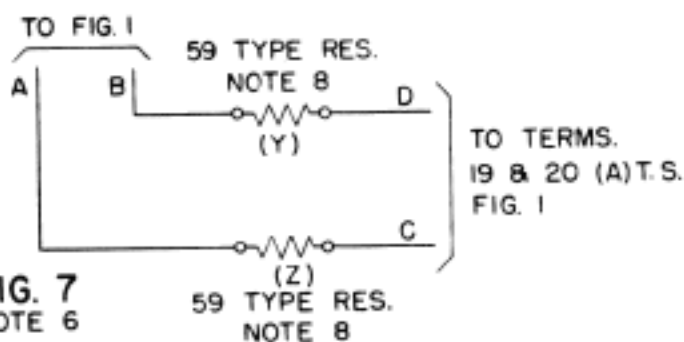


FIG. 7
NOTE 6

NOTES

1. USE 22G WIRE UNLESS OTHERWISE SPECIFIED.
2. LOCATE THIS APPARATUS AS REQUIRED.
3. USE 88-D FILTER X WIRING WHEN REQUIRED TO MINIMIZE RADIO INDUCTION. OTHERWISE USE Y WIRING.
4. USE M WIRING WHEN USED IN CENTRAL OFFICE. USE N OR NI WIRING AND APPARATUS WHEN USED IN CUSTOMER'S OFFICE.
5. WIRING SHOWN ON T-630483 (B.S.P. P90.983.1) EQUIPMENT SHOWN ON H-297-483.
6. USE FIG. 6 FOR 60~A.C., FIG. 8 FOR 25~A.C. AND FIG. 7 FOR D.C.
7. RECEIVING UNIT AS FURNISHED BY THE MANUFACTURER WILL CONSIST OF FIG. 1, 2, 6, OR 8 AS COVERED BY LISTS SHOWN ON DWG. H-297-483 ALL OTHER FIGURES ARE TO BE PROVIDED AND INSTALLED BY TELEPHONE CO. IF SPECIFIED ON THE SERVICE ORDER.
8. USE TWO 59 TYPE RESISTANCES AS SPECIFIED ON DWG. COVERING ANY APPLIQUE CIRCUIT TO BE PROVIDED.
9. USE 7-E BUZZER FOR 60~A.C., 7-A FOR 25~A.C. AND 7-F FOR D.C.
10. FOR 60 MILLIAMPERE OPERATION, USE "A" APP. 107A RESISTANCE 6350Ω.
11. FOR 20 MILLIAMPERE OPERATION, REPLACE "A" WITH "B" 107A TYPE RESISTANCE 50,000Ω. USE T WIRING FOR NEUTRAL OPERATION, OMIT FOR POLAR OPERATION.
12. ⊗ H.B. JONES NO. 10-141 TERM. STRIP OR EQUIVALENT ON TTY TABLE.
13. STATION GROUND.
14. PROVIDE FUSTAT OR FUSETRON IN BOTH SIDES OF CIRCUIT WHEN D.C. IS USED. PROVIDE FUSTAT OR FUSETRON IN NON-GROUNDED SIDE ONLY WHEN A.C. IS USED. STRAP NON-FUSED SIDE.
15. USE FIG. 9 IF SPECIFIED ON DWG. COVERING ANY APPLIQUE CIRCUIT TO BE PROVIDED.
16. USE Z WIRING TO UNLOCK RELAY IN AN APPLIQUE CIRCUIT
17. WITH DWG 23069-SD-33 USE P & R WIRING OTHERWISE USE Q & S WIRING.
18. USE J AND Z WIRING WITH 22750-SD-33.
19. THIS DRAWING REPLACES 20532-SD-33 FOR NEW MANUFACTURE.

ARDS
0.896
ANS.
OR
PERSON
9-181
E TRANS.

