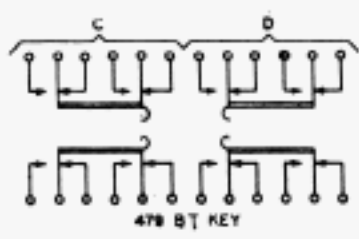
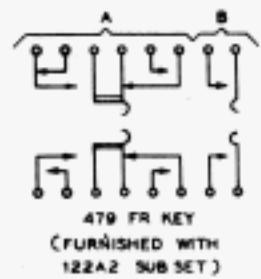
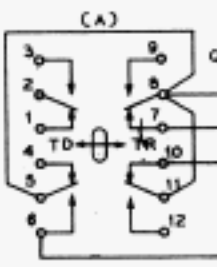


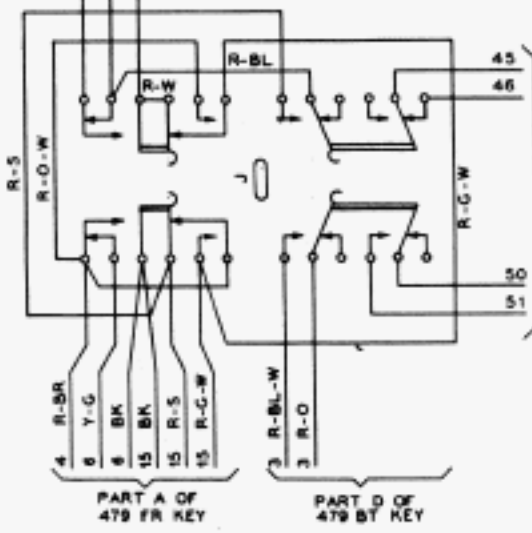
TO TELETYPEWRITER
EQUIPMENT PER
BSP P90934
OR P90939
OR P90940

TO SET JACK
IN LOOP BOARD

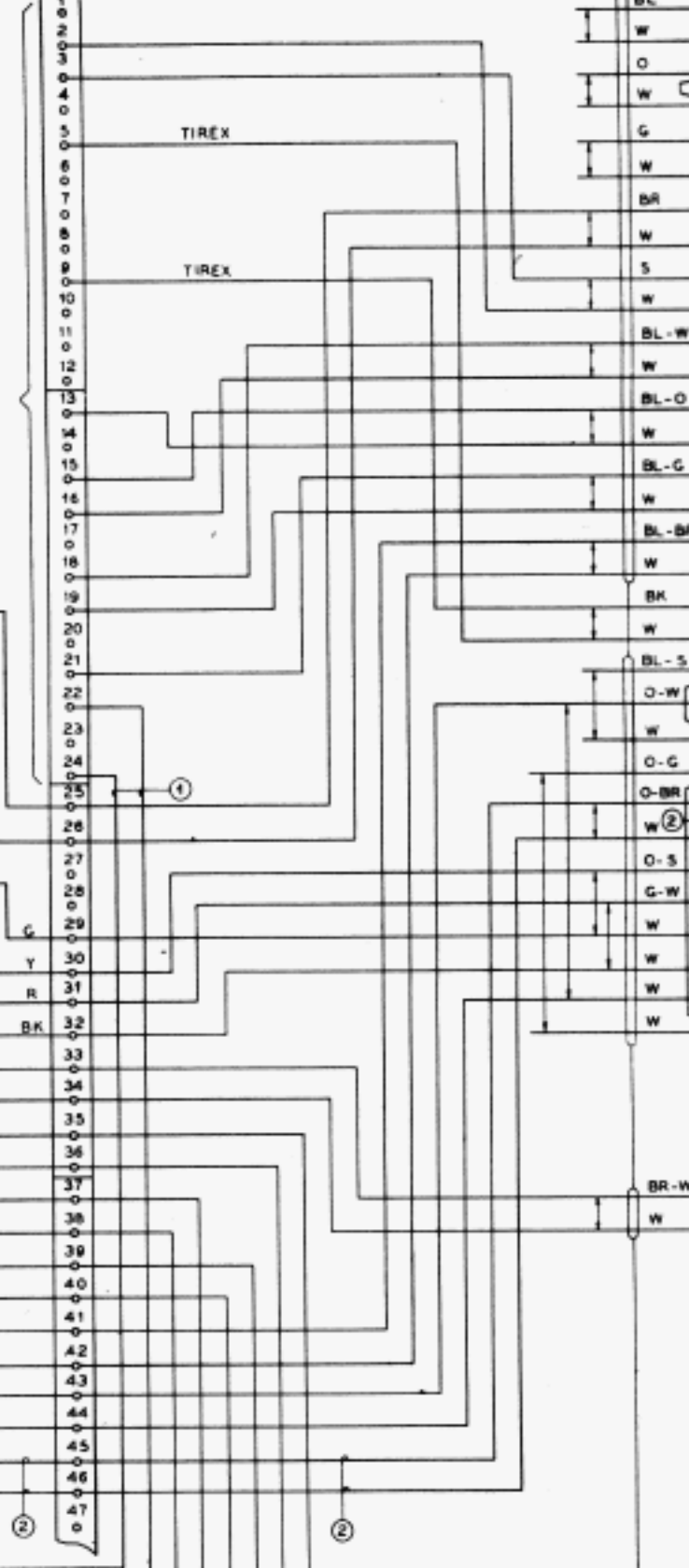
2G KEY UNIT IN
8017 KEY BOX (NL)
(TRANSFER KEY)



NOTE: REPLACE 479 FR KEY IN SUBSET
BY A MODIFIED KEY. WIRING
CONNECTIONS OF FIG. A REPLACE
THOSE SHOWN AS 'EQUIPMENT FIG. 1'
ON CIRCUIT LABEL OF SUBSET.



TERMS ON
102A TABLE

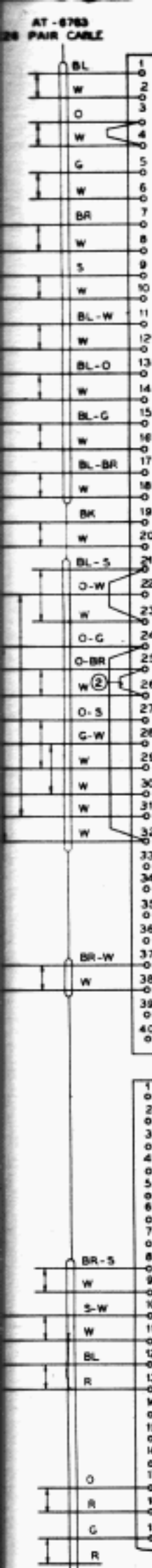


AT-6783
28 PAIR CABLE

FIG 1

SINGLE-DUAL OPERATION
OF 102 A TABLE
STRAPPING OF BRK-TFR SET TERMS AND
CABLING BETWEEN BRK-TFR SET AND
102A TABLE TERMS, INCLUDING 122A2 SUBSET
SEE COMPANION FIGURE FIG. 4 OF BSP P90.93

FIG A
MODIFIED TWX-PLS KEY



TO BSP P90930

TO BSP P90934
P90939 OR P90940

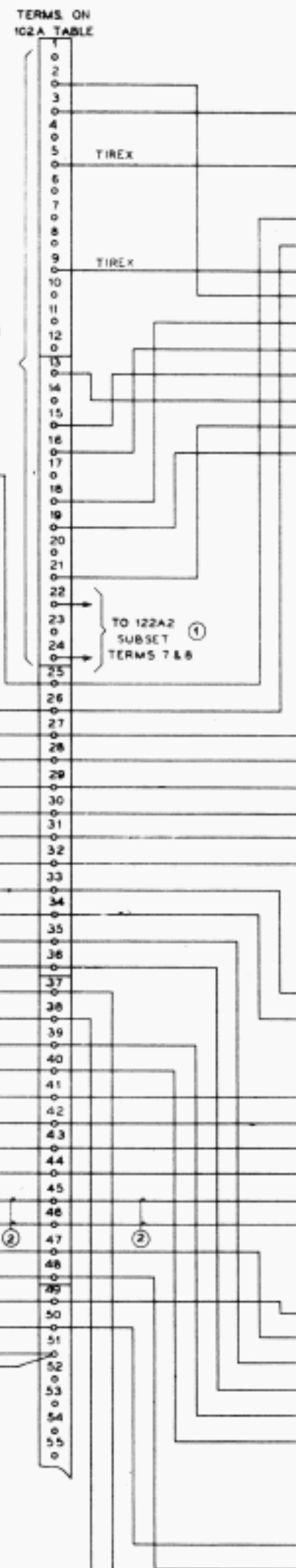
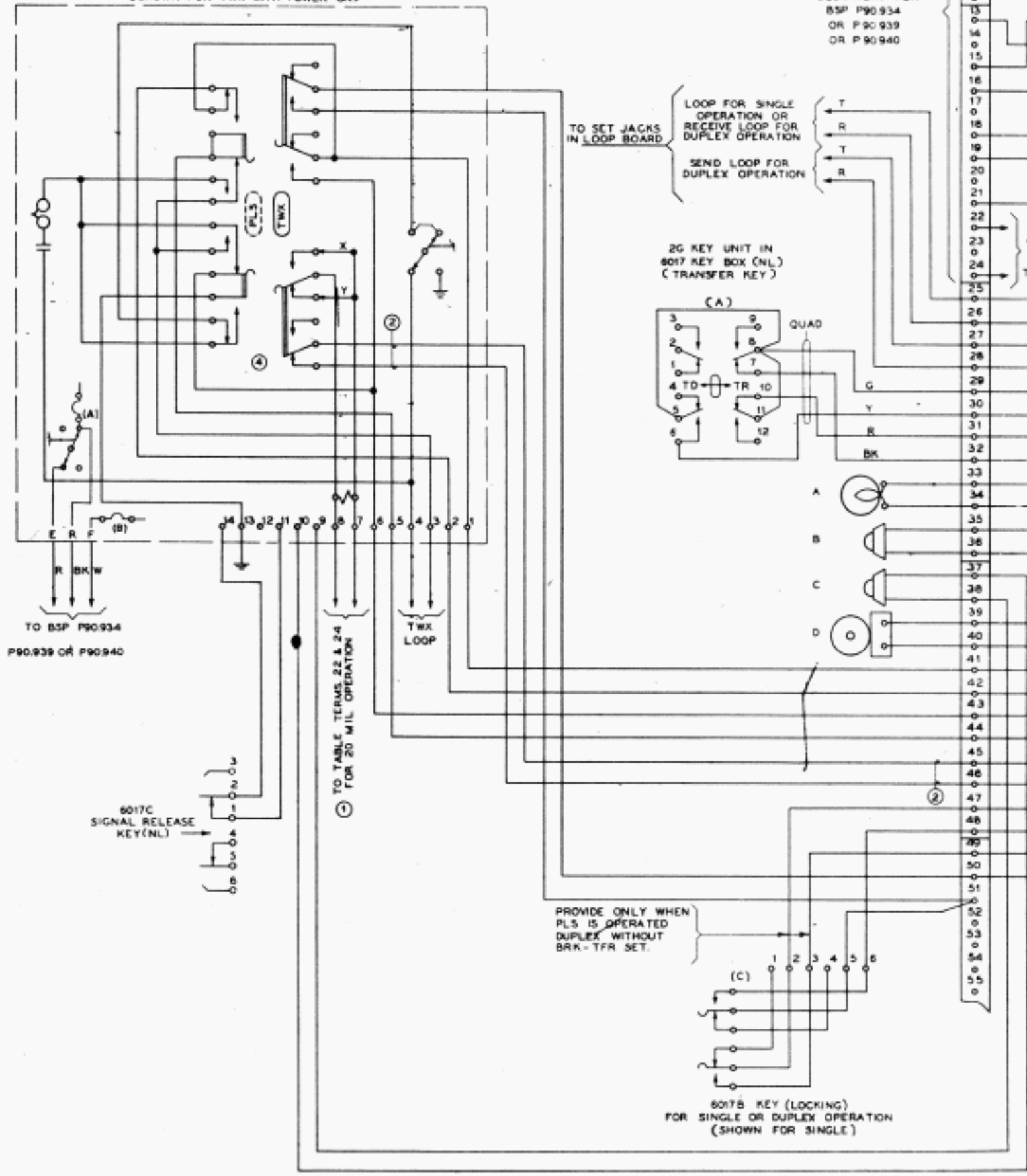
TO TELETYPEWRITER
EQUIPMENT PER
BSP P90934
OR P90939
OR P90940

TO 122A2
SUBSET
TERMS 7 & 8

TO TABLE TERMS 22 & 24
FOR 20 MIL OPERATION

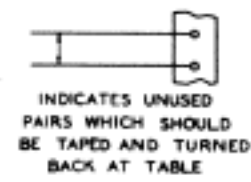
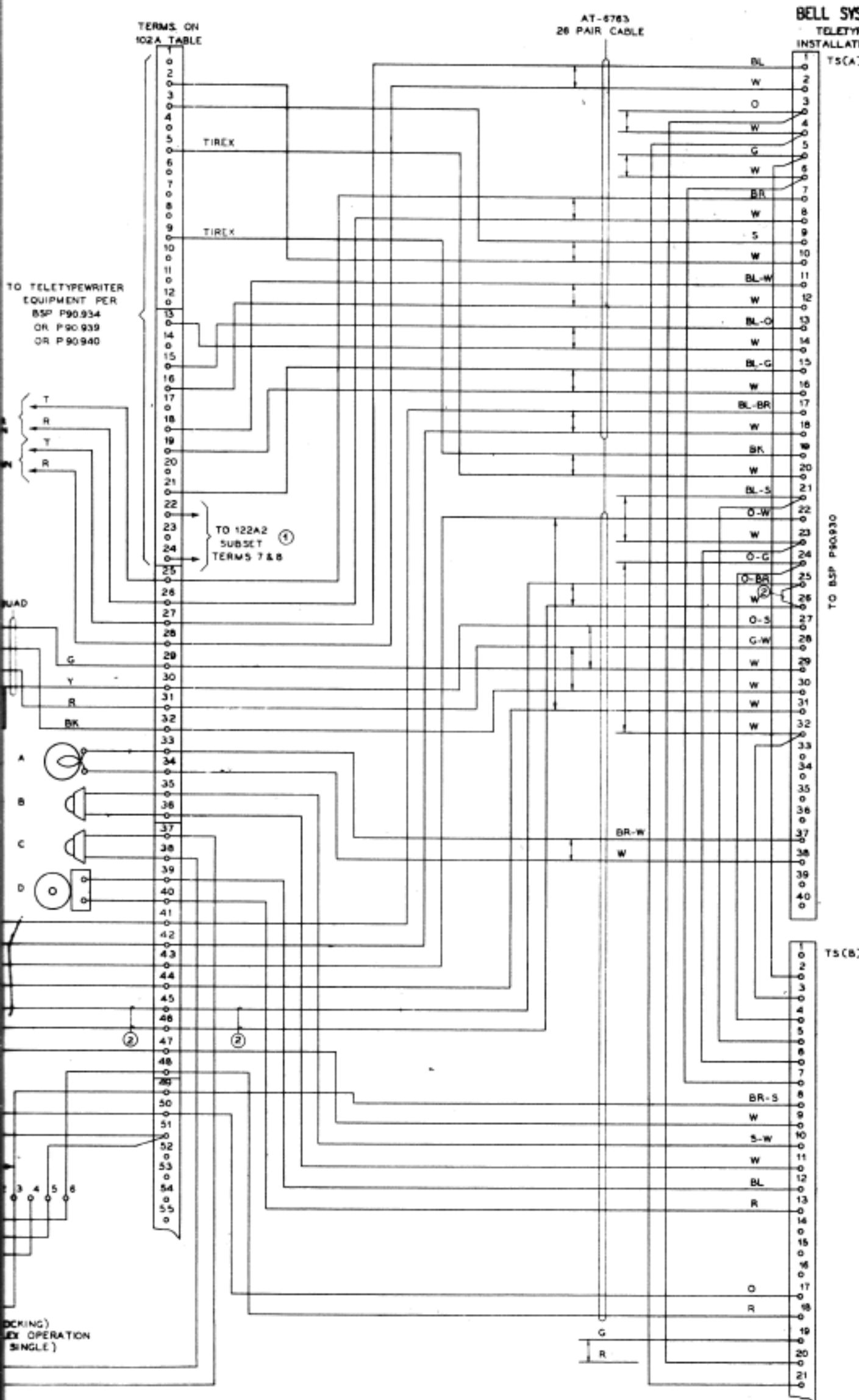
PROVIDE ONLY WHEN
PLS IS OPERATED
DUPLEX WITHOUT
BRK-TFR SET.

(D)
122A2 SUBSET WITH MODIFIED KEY
(USE FIG. A FOR MODIFICATION)
(SHOWN FOR TWX WITH POWER ON)



TERMS AND
SET AND
122A2 SUBSET
OF BSP P90.931

FIG. 1
SINGLE DUAL OR DUPLEX
OF 102A
STRAPPING OF BRK-TFR
AND CABLING BETWEEN
AND 102A TABLE TERMS
SEE COMPANION FIGURE



- A-72 MAZDA LAMP IN 4-G STANDARD WHEN ONLY THE BRK-TFR SIGNAL LAMP IS REQUIRED.
- B&C 17D3 INDICATOR LAMP WHEN TWO LAMPS ARE REQUIRED B(WHITE B-2 LAMP) FOR BRK-TFR SIGNAL AND C (RUBY B-2 LAMP) FOR TWX SIGNAL. (SEE NOTE 4.)
- D-BUZZER OR BELL WHEN SPECIFIED.

WIRES NOT OTHERWISE SPECIFIED SHALL BE 22 GA BROWN INSIDE TELEPHONE WIRING

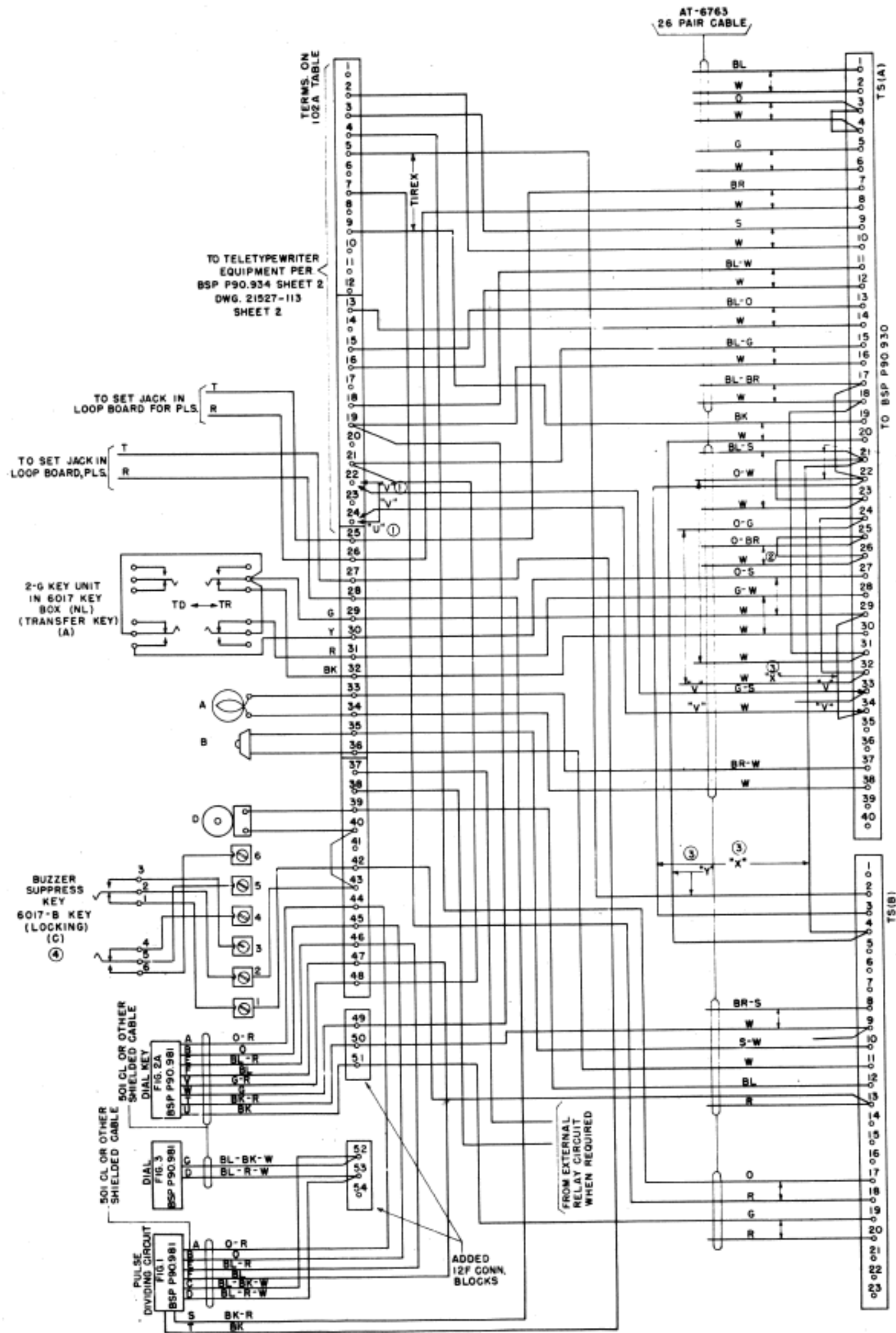
NOTES

- USE 'X' WIRING FOR 60 MIL. PLS
20 MIL. TWX
- USE 'Y' WIRING FOR 20 MIL. PLS
60 MIL. TWX
- 1. OMIT THESE LEADS WHEN LOOP CURRENTS OF PLS AND TWX ARE OF SAME VALUES. DISREGARD X AND Y WIRING.
- 2. OMIT THESE LEADS WHEN THE SHORT OR 0.7 SEC. BREAK IS REQUIRED ON BOTH PLS AND TWX AND ADD STRAP 25-26.
- 3. WHEN BOTH NOTES 1 AND 2 APPLY DO NOT MODIFY 479 FR KEY IN 122A2 SUBSET. (DOES NOT APPLY TO FIG. 2)
- 4. RECONNECT 59N RESISTANCES E & F IN SUBSET SO THAT THEY WILL BE IN SERIES INSTEAD OF PARALLEL.
- 5. SEE 50-70058-01 FOR COMPLETE SCHEMATIC OF 122A2 SUBSET.

FIG 2

SINGLE DUAL OR DUPLEX OPERATION
OF 102A TABLE
STRAPPING OF BRK-TFR SET TERMS.
AND CABLING BETWEEN BRK-TFR SET
AND 102A TABLE TERMS INCLUDING 122A2 SUBSET
SEE COMPANION FIGURE FIG. 5 (BSP P90.931 SHEET 1)

TELETYPEWRITER SYSTEMS
102A TABLE
BREAK TRANSFER CIRCUIT
DUAL OPERATION
(WIRING)



TO TELETYPEWRITER
EQUIPMENT PER
BSP P90.934 SHEET 2
DWG. 21527-113
SHEET 2

TO SET JACK IN
LOOP BOARD FOR PLS.

TO SET JACK IN
LOOP BOARD, PLS.

2-G KEY UNIT
IN 6017 KEY
BOX (NL)
(TRANSFER KEY)
(A)

BUZZER SUPPRESS
KEY
6017-B KEY
(LOCKING)
(C)

501 CL OR OTHER
SHIELDED CABLE

501 CL OR OTHER
SHIELDED CABLE

PULSE
DIVIDING CIRCUIT
FIG. 1
BSP P90.981

DIAL
FIG. 3
BSP P90.981

DIAL KEY
FIG. 2A
BSP P90.981

FROM EXTERNAL
RELAY CIRCUIT
WHEN REQUIRED

ADDED
12F CONN.
BLOCKS

REMOVE FROM TERMS
21 B 22 AND TAPE

2-G KEY
IN 6017
BOX (NL)
(TRANSFER
KEY)

BUZZER
SUPPRESS
KEY
6017-B
(LOCKING)
(C)

TWX OR SINGLE PLS OPERATION OF 102A TABLE
STRAPPING OF BRK-TFR SET TERMS AND CABLING
ARRANGED TO PERMIT TAUT TAPE TO STOP TRANSMITTER.
ALSO ARRANGED FOR 64 C1 CALLING ARRANGEMENT
PER PLAN 1 BSP SECTION E12.732

FIG. 3
SEE COMPANION FIGURE
FIG. 7 P 90.931

TERMS TAPE

TO TELETYPEWRITER EQUIPMENT PER BSP P90.934(SHEET 2)(DWG. 21527-113)

TO SET JACK IN LOOP BOARD FOR PLS

2-G KEY UNIT IN 6017 KEY BOX (NL) (TRANSFER KEY)

BUZZER SUPPRESS KEY 6017-B KEY (LOCKING) (4)

FROM EXTERNAL RELAY CIRCUIT WHEN REQUIRED

AT-6763 26 PAIR CABLE

TERMS ON 102A TABLE

TO BSP P90.930

REMOVE FROM TERMS 21+22 AND TAPE

TO TELETYPEWRITER EQUIPMENT PER BSP P90.934 SHEET 2 (DWG. 21527-113)

LOOP FOR SINGLE OPERATION OR REC LOOP FOR DUPLEX OPERATION

SEND LOOP FOR DUPLEX OPERATION

2-G KEY UNIT IN 6017 KEY BOX (NL) (TRANSFER KEY)

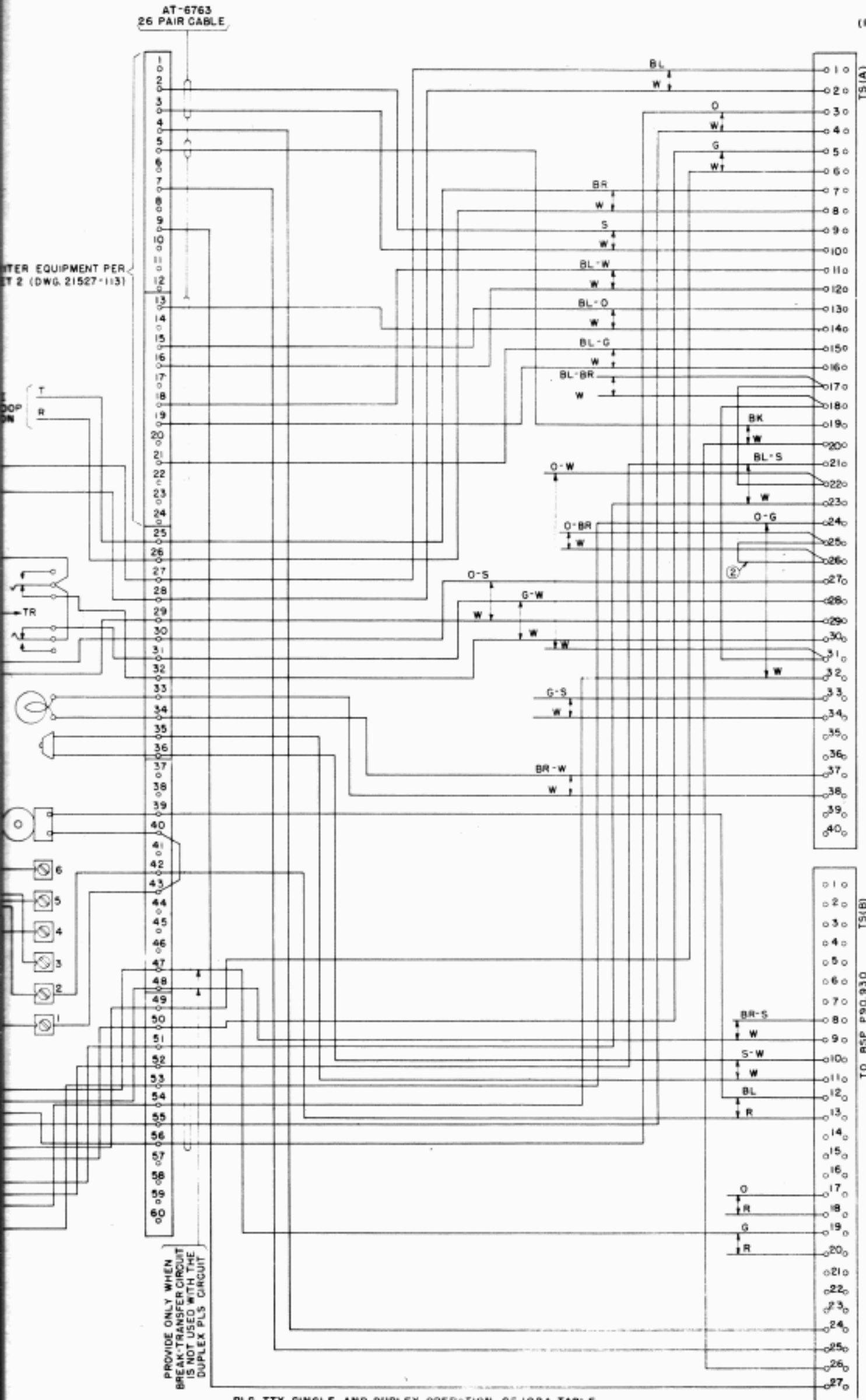
6017B KEY (LOCKING) BUZZER SUPPRESS KEY (4)

6017-S KEY

FOR SINGLE OR DUPLEX OPERATION (SHOWN FOR SINGLE)

TWX OR SINGLE PLS OPERATION OF 102A TABLE STRAPPING OF BRK-TFR SET TERMS AND CABLING BETWEEN BRK-TFR SET AND 102A TABLE TERMINALS ARRANGED TO PERMIT TAUT TAPE TO STOP TRANSMITTER ARRANGED TO PERMIT THE TR TO BE CONNECTED OR NOT AS DESIRED.

FIG. 4 SEE COMPANION FIGURE FIG. 6 P90.931



NOTES

1. WHEN BIAS CIRCUIT IS EXTENDED USE "U" WIRING FOR 60 MILE OPERATION AND "Y" WIRING FOR 20 MILE OPERATION.
2. WHEN THE SHORT OR 0.7 SEC. BREAK IS REQUIRED ON BOTH PLS AND TWX ADD STRAP 25-26.
3. SPECIFY "X" WIRING AND OMIT "Y" WIRING WHEN IT IS DESIRED TO CONNECT T.R. TO LINE. SPECIFY "Y" AND OMIT "X" WHEN IT IS DESIRED TO OPERATE AUDIBLE AND VISUAL SIGNALS ONLY AND NOT TO CONNECT T.R. TO LINE.
4. THIS IS A 6017-B KEY IF MOUNTED ON TTY TABLE. 552-A KEY IN PLACE OF MISCELLANEOUS JACK IF MOUNTED IN LOOP BOARD.

TELETYPEWRITER SYSTEMS
102A TABLE
BREAK TRANSFER CIRCUIT
(WIRING)

PLS TTY SINGLE AND DUPLEX OPERATION OF 102A TABLE ARRANGED SO TAUT TAPE WILL STOP TRANSMITTER, LIGHT LAMP AND ENERGIZE BUZZER IN ADDITION TO NORMAL OPERATION OF BREAK-TRANSFER SET.

FIG. 5
SEE COMPANION FIGURE
FIG. 6 P90.931