

FIG. A  
MODIFIED PLS-TWX KEY  
(COMBINING PART A OF 479 FR. KEY AND PART D OF 479 BT. KEY (REFER TO CIRCUIT LABEL))  
REQUIRED ONLY FOR I, IA, & 3C BOARDS

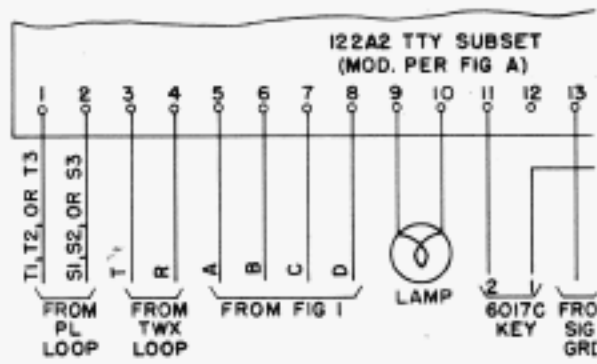
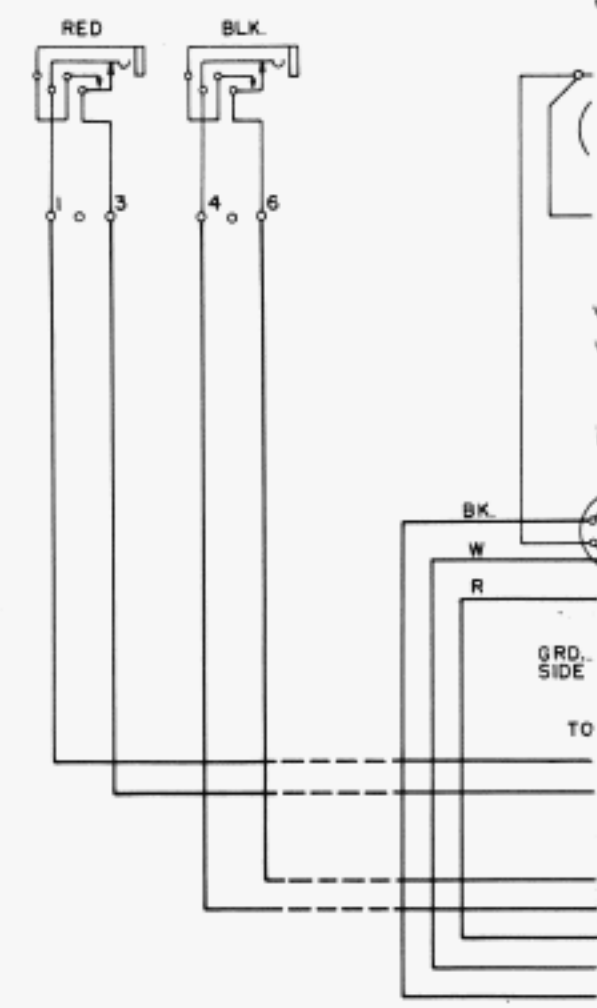


FIG. B  
CONNECTIONS FOR USE WITH I, IA, & 3C BOARDS (SEE PLAN LS125)

15 TYPING UNIT  
 15 BASE  
 15 REF. TRANS.

APPL PLAN M2.06  
 M2.16  
 M2.18  
 M2.19

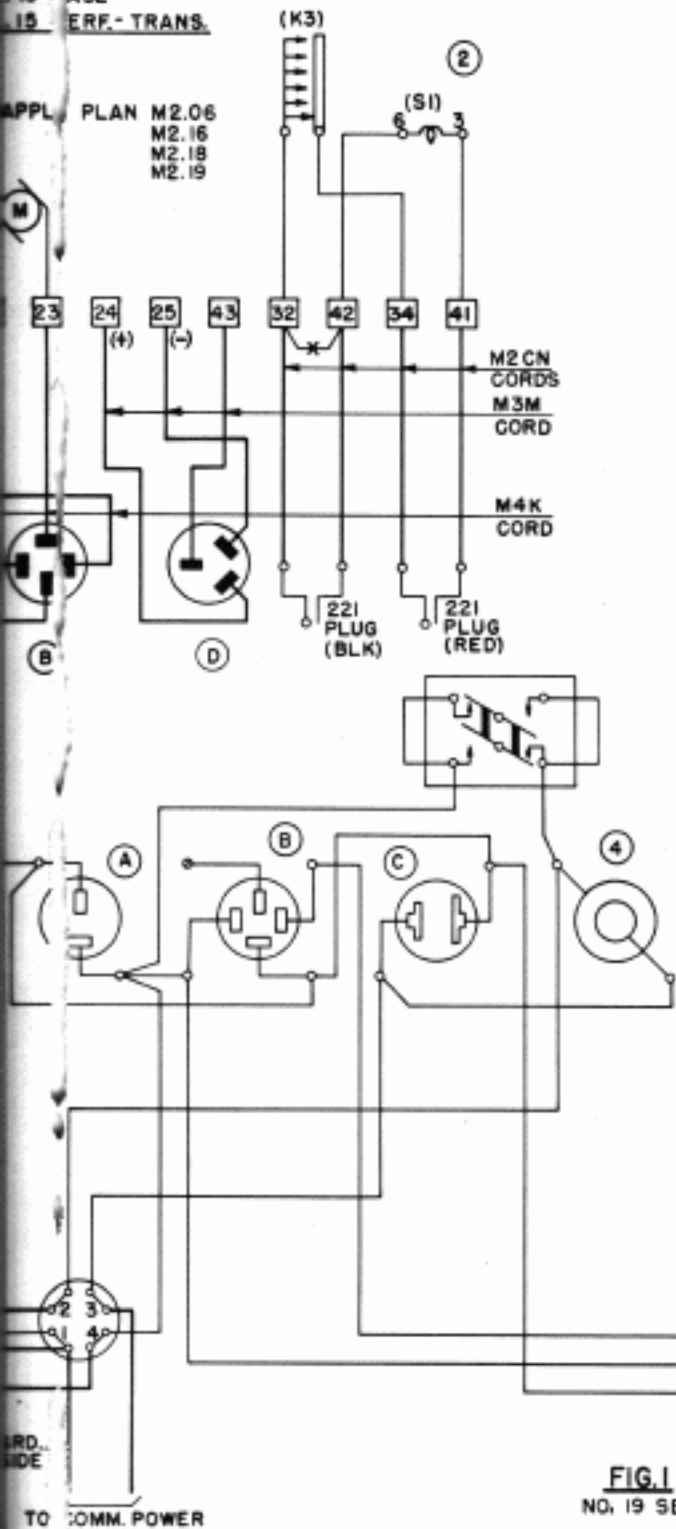
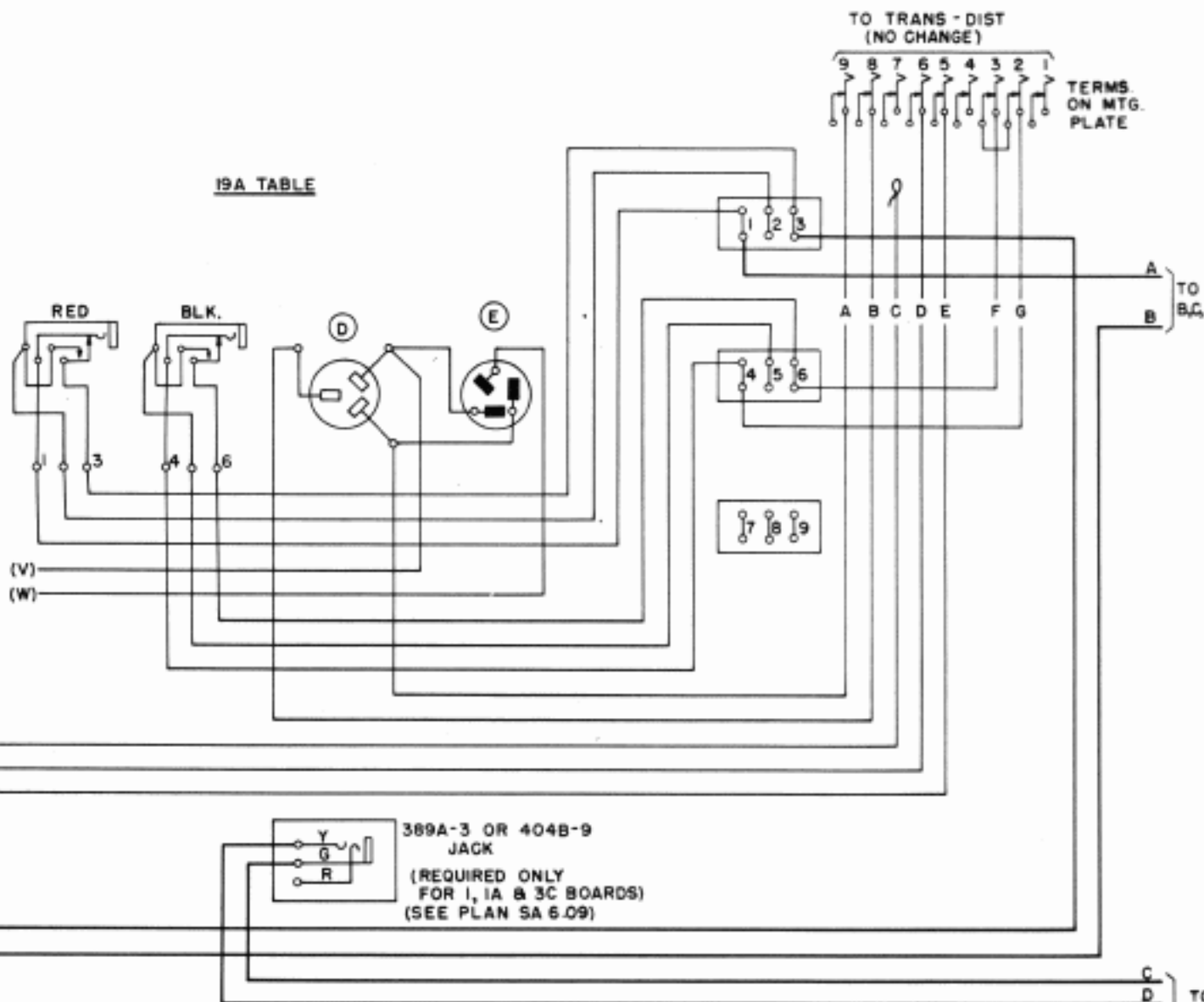


FIG. 1  
 NO. 19 SET

19A TABLE



389A-3 OR 404B-9  
 JACK  
 (REQUIRED ONLY  
 FOR 1, 1A & 3C BOARDS)  
 (SEE PLAN SA 6.09)

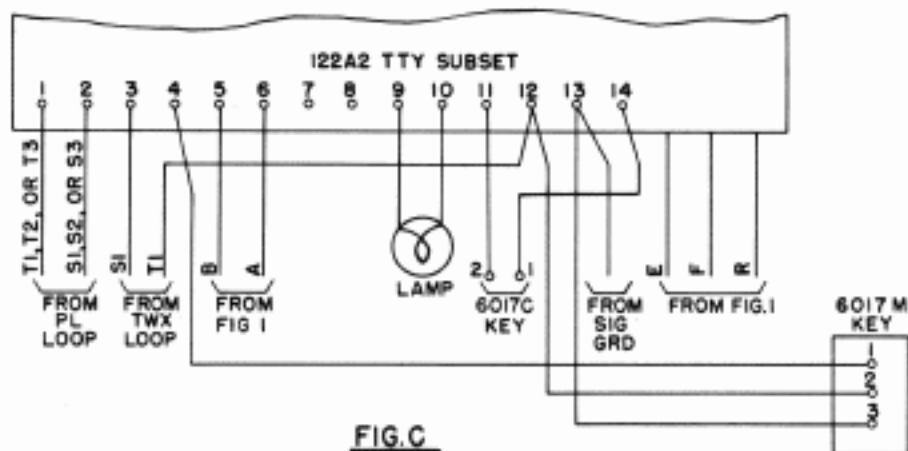
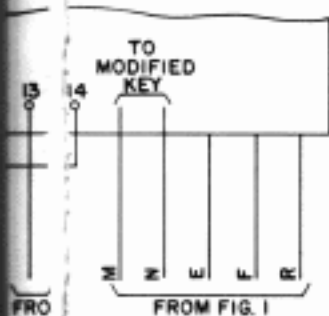


FIG. C  
 CONNECTIONS FOR USE  
 WITH OPEN LINE TLT  
 BOARD (SEE PLAN LS 1.26)

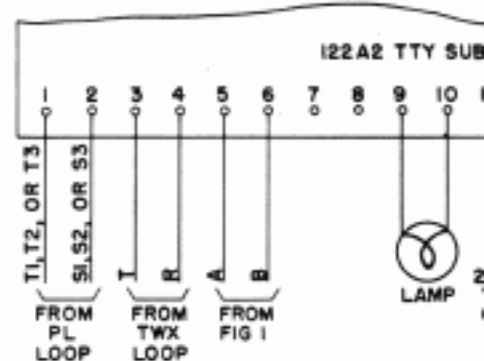
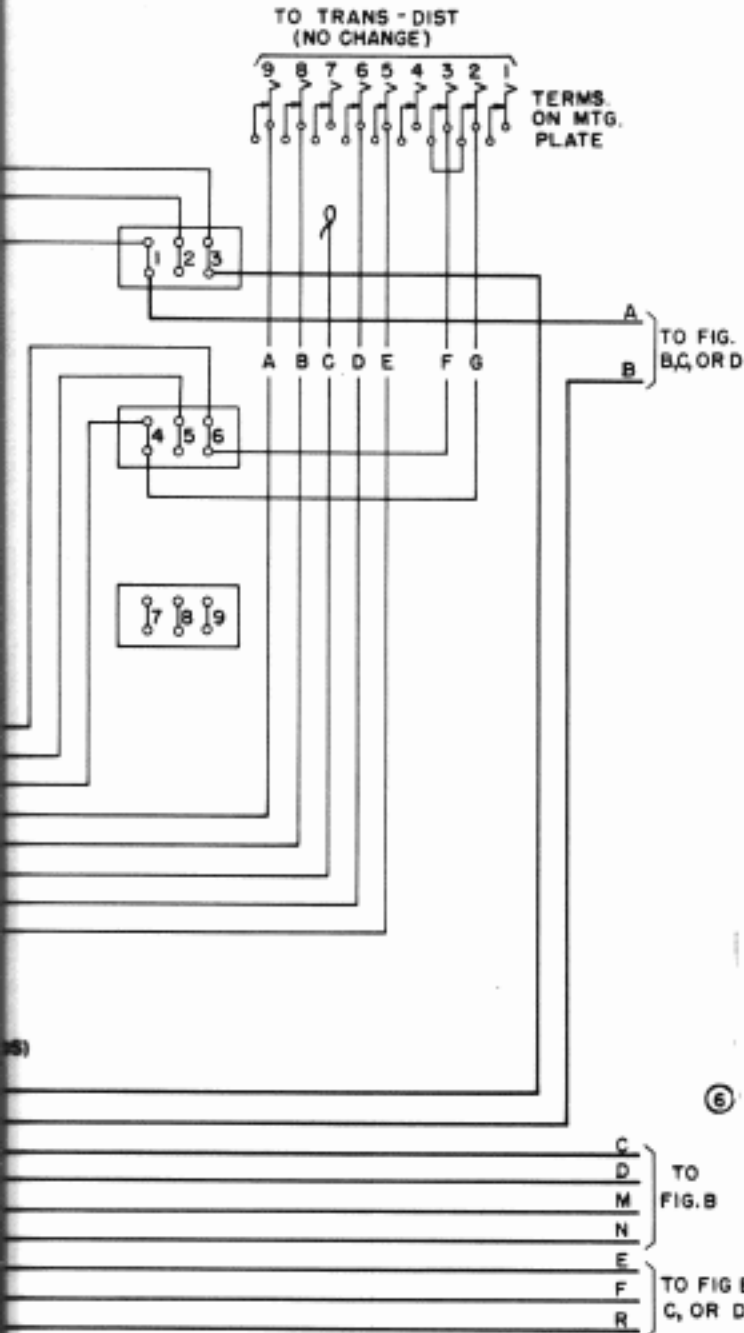


FIG. D  
 CONNECTIONS FOR USE  
 WITH 3 & 3A BOARDS  
 (SEE PLAN LS 1.31)

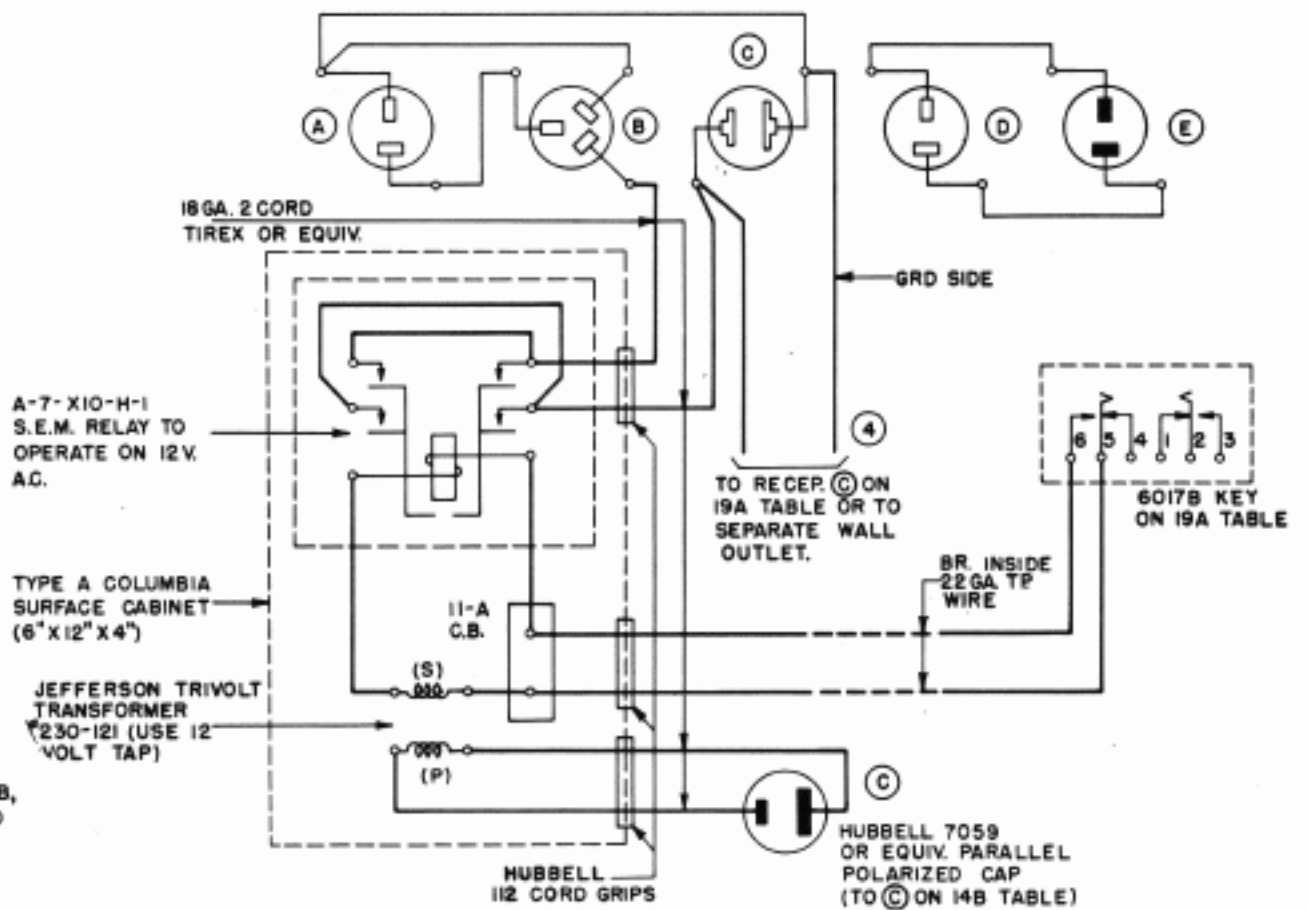
*D.C.*

**NOTES**

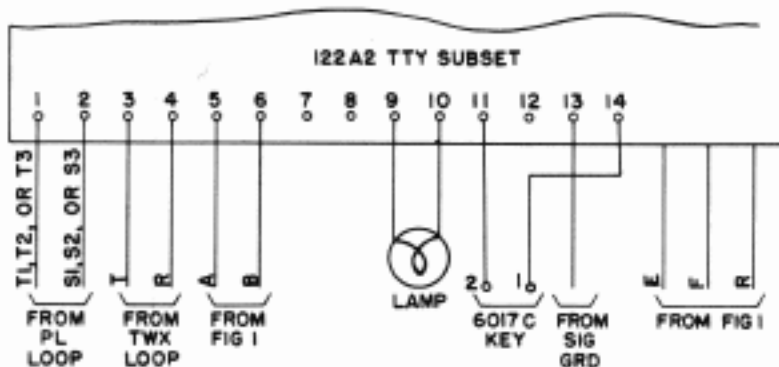
- 1— MOUNT ON (RM1) IN PLACE OF 6746M SCREW IN TERMINAL POSITION 35. RETAIN JACK SPRING AND WASHER.
- 2— USE 255A OR 209FB RELAY.
- 3— APPLY PLANS SA6.05 & SA6.06 UNLESS OTHERWISE SPECIFIED. AND SA6.11 & SA3.05 IF STATION LINE RESISTANCES ARE REQUIRED.
- 4— 10 AMP. FUSTAT SHOULD BE SUFFICIENT IF TR OBTAINS ITS POWER FROM THE 19A TABLE.
- 5— USE FIG. E IF POWER FOR T-R IS TO BE CONTROLLED AT 19A TABLE, OTHERWISE APPLY FIG. 2.
- 6— MOUNT ON REAR OF 14B TABLE.



REASON FOR CHANGE  
ISSUE B - CHANGED NUMBER OF CAP IN FIG. E.



**FIG. E**  
14A TABLE  
ARRANGEMENT FOR CONTROLLING T-R FROM 19A TABLE.



**FIG. D**  
CONNECTIONS FOR USE WITH 3 & 3A BOARDS (SEE PLAN LS 1.31)