

STATION IDENTIFICATION

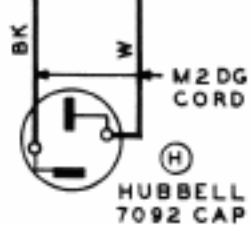
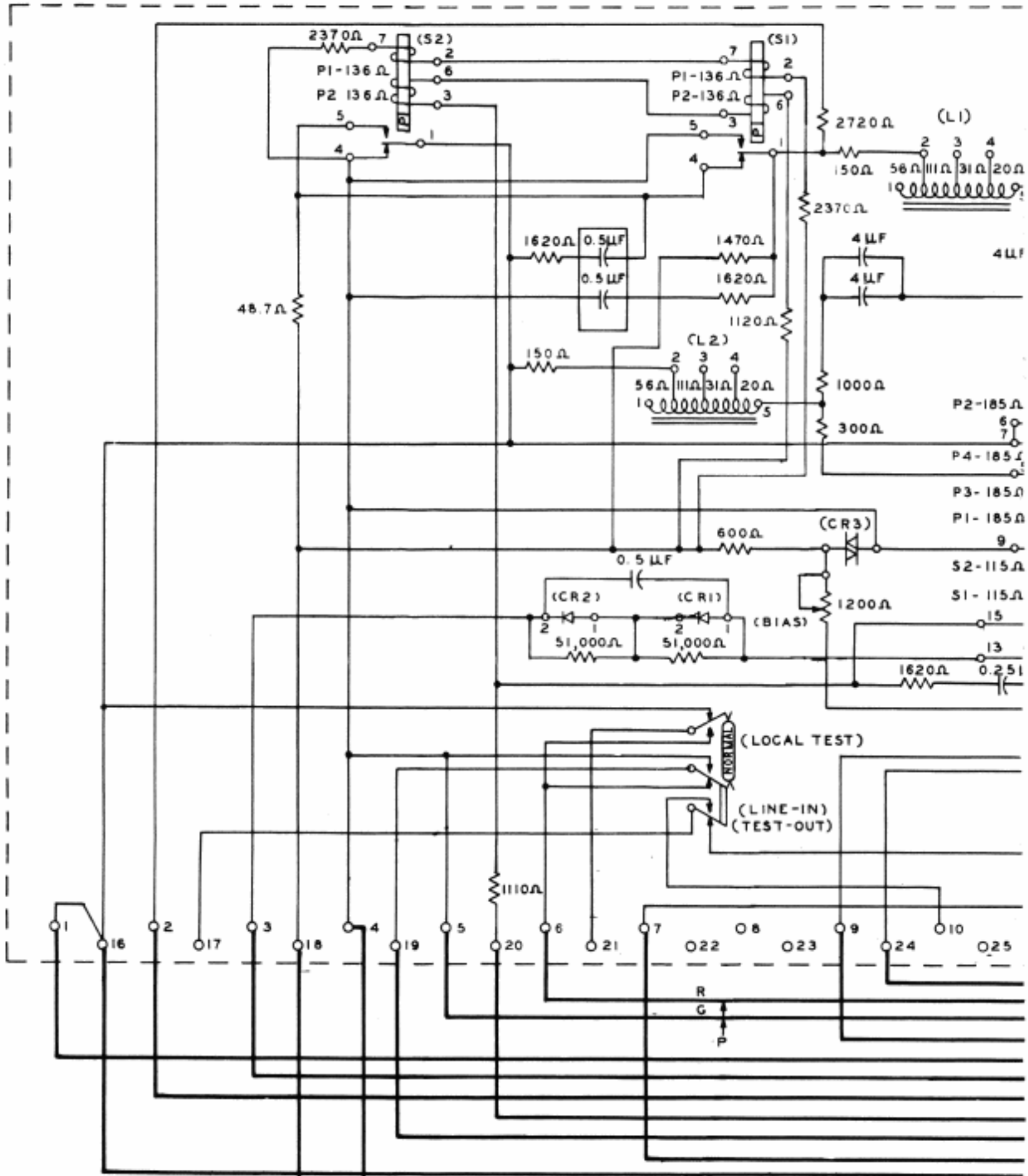
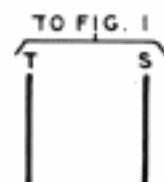
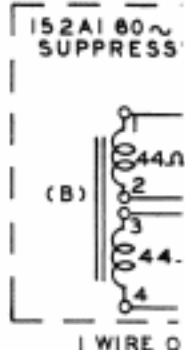


FIG. 3

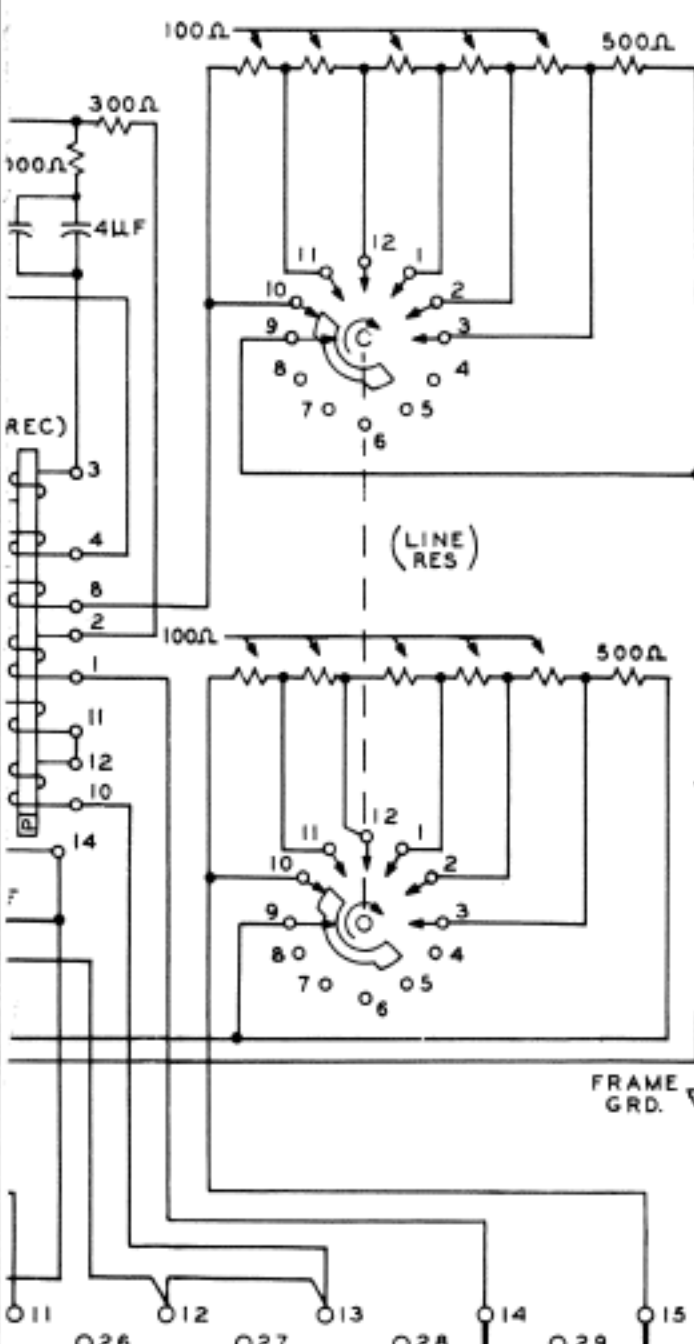


2 WIRE OPERATION
OR
1 WIRE OPERATION
WITHOUT
60~ SUPPRESSION
FIG. D



128C3 TTY SUB. SET

19 TTY CONSISTING OF:
 15C BASE
 15Y OR 15AA TYPING UNIT
 15L38 OR 15T38 PERFORATOR TRANSMITTER
 15D, 15J OR 15L MOTOR UNIT



OMIT WHEN PROT. GRD. IS NOT FURNISHED

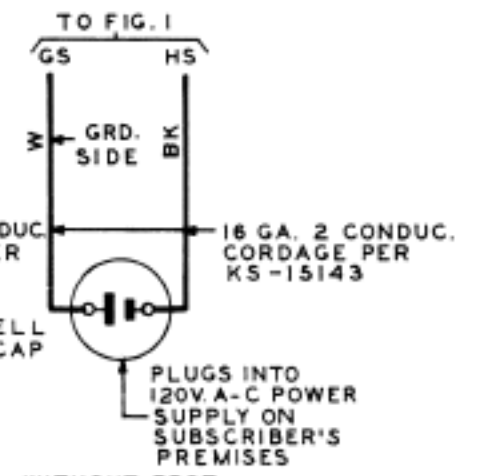
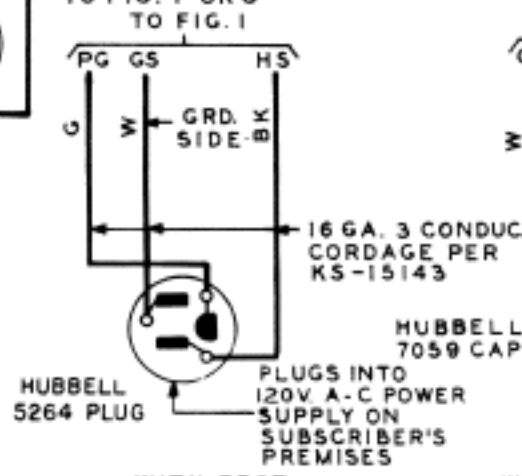
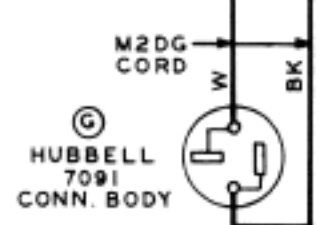
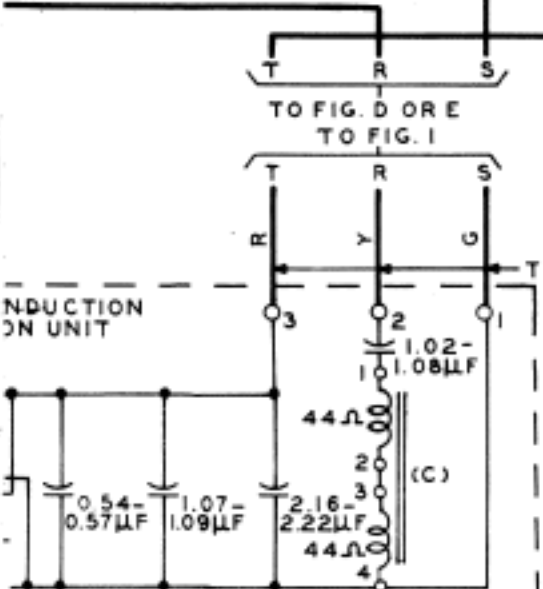
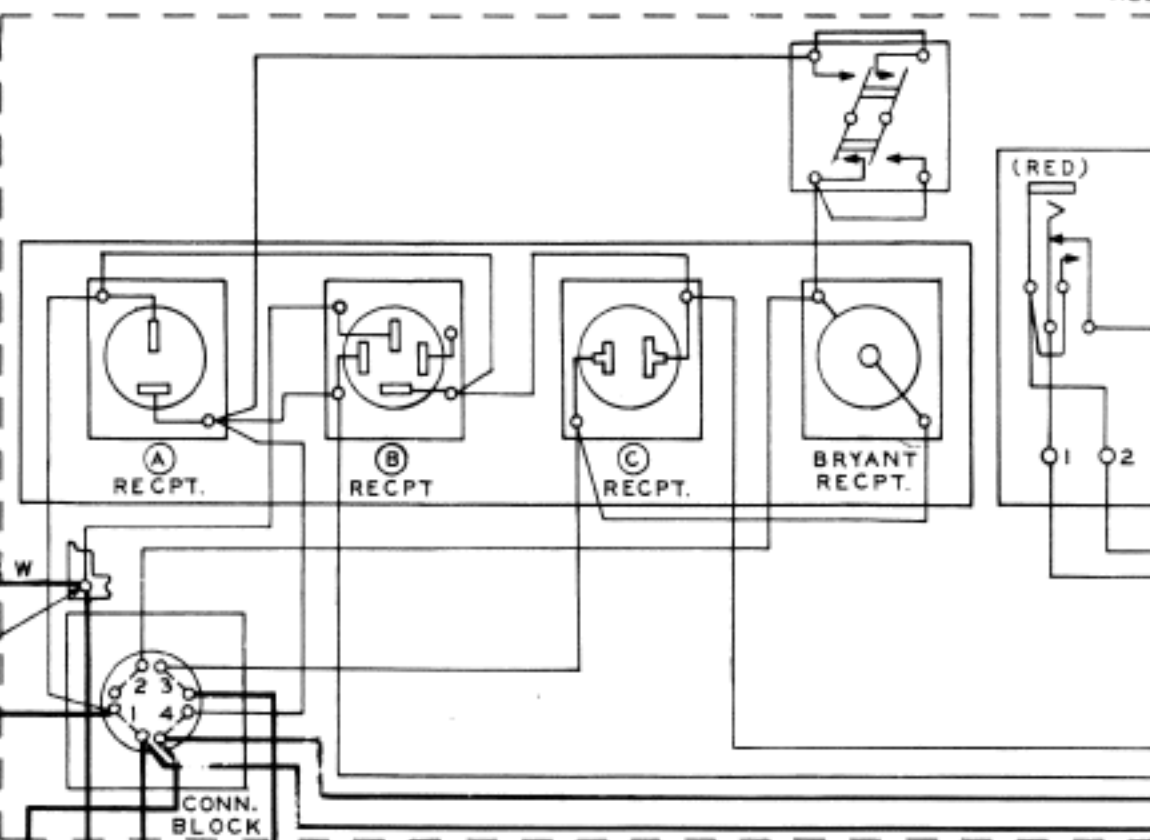
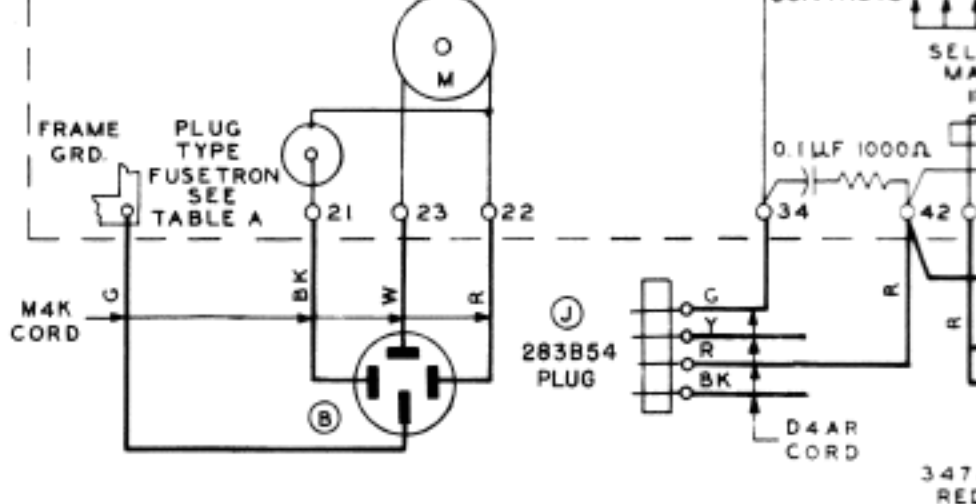


FIG. E

FIG. F

FIG. G

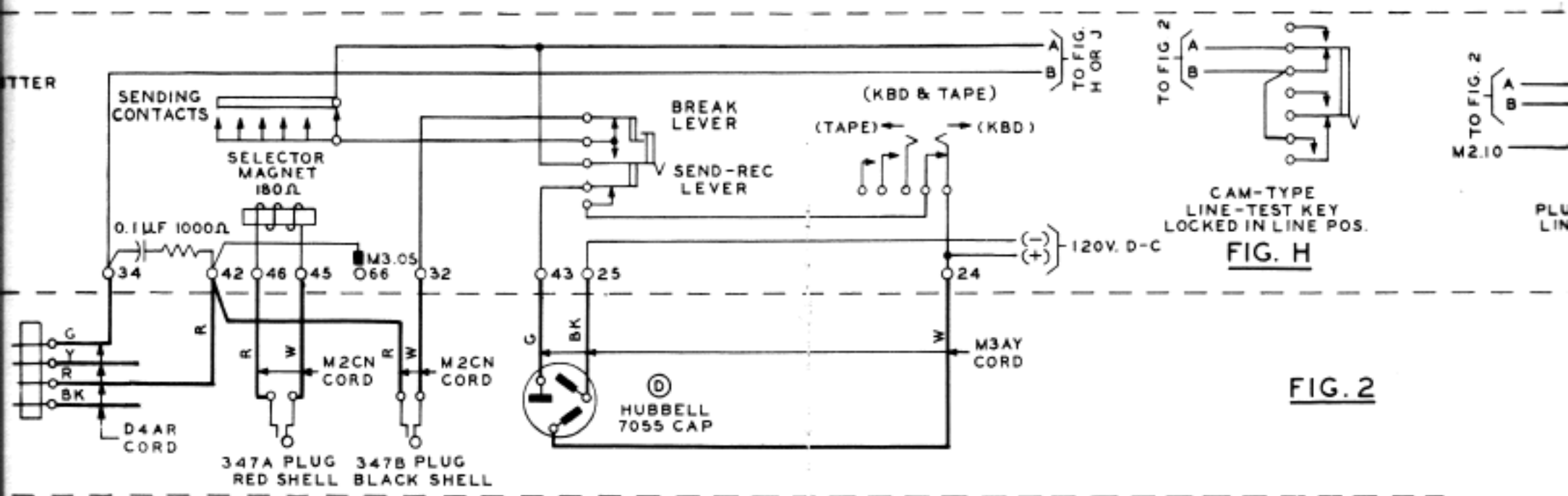


FIG. 2

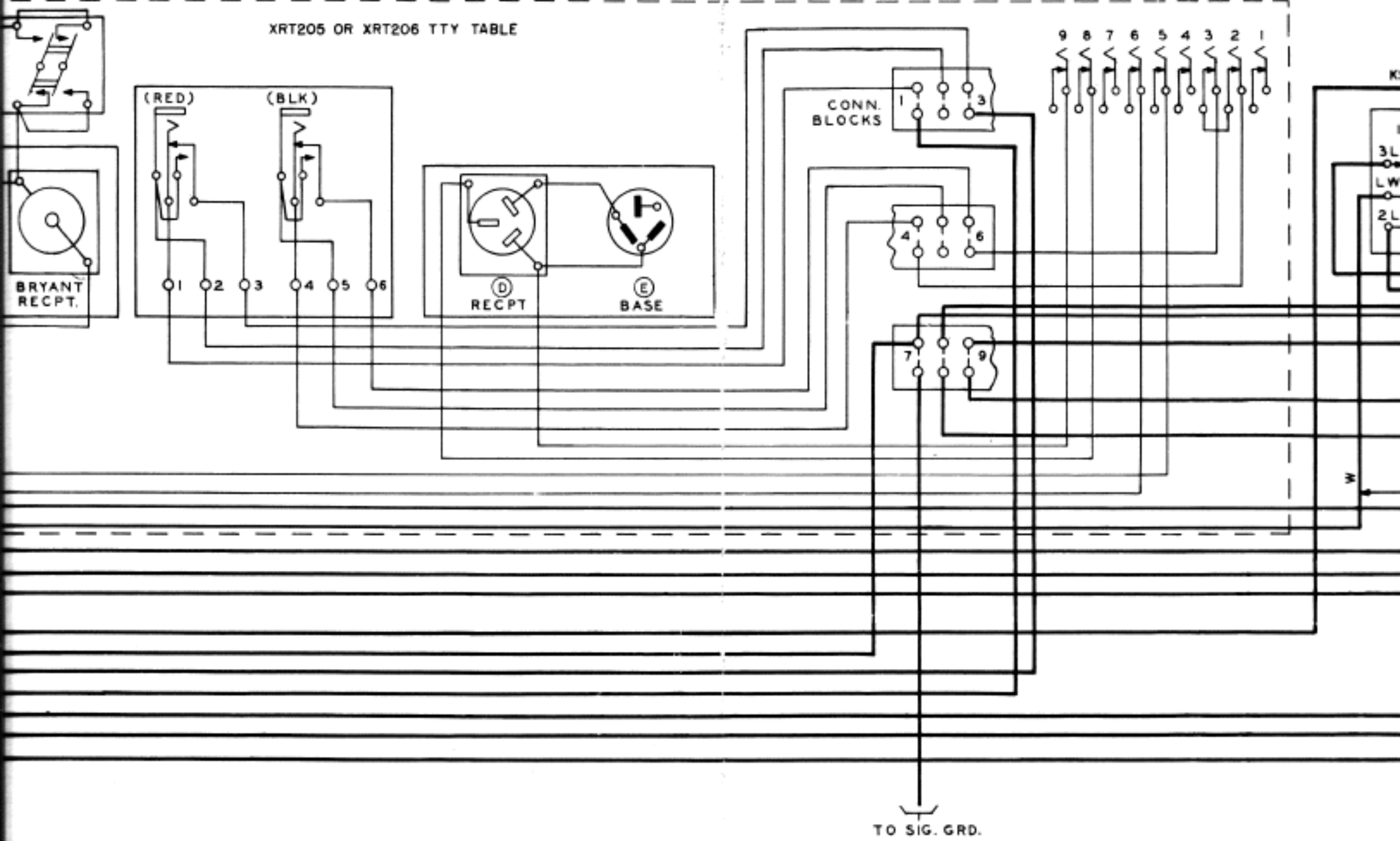


FIG. 4

MOTOR	FUSETRON	
	TTY	TABLE
A-C SYNCH	T3.2	T8
A-C SERIES	T1.6	T6.2

TABLE A

PLANS USED	
M3.05	
M2.10*	

* WHEN REQUIRED

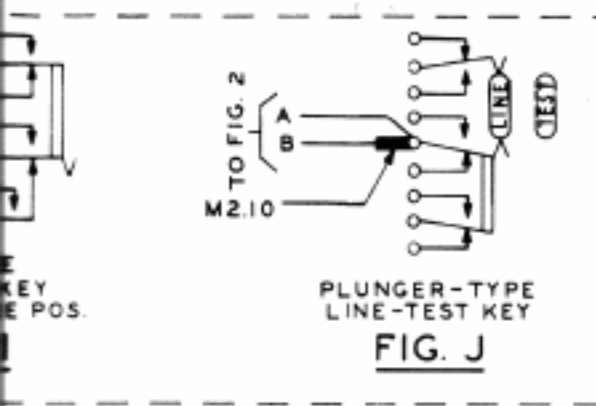
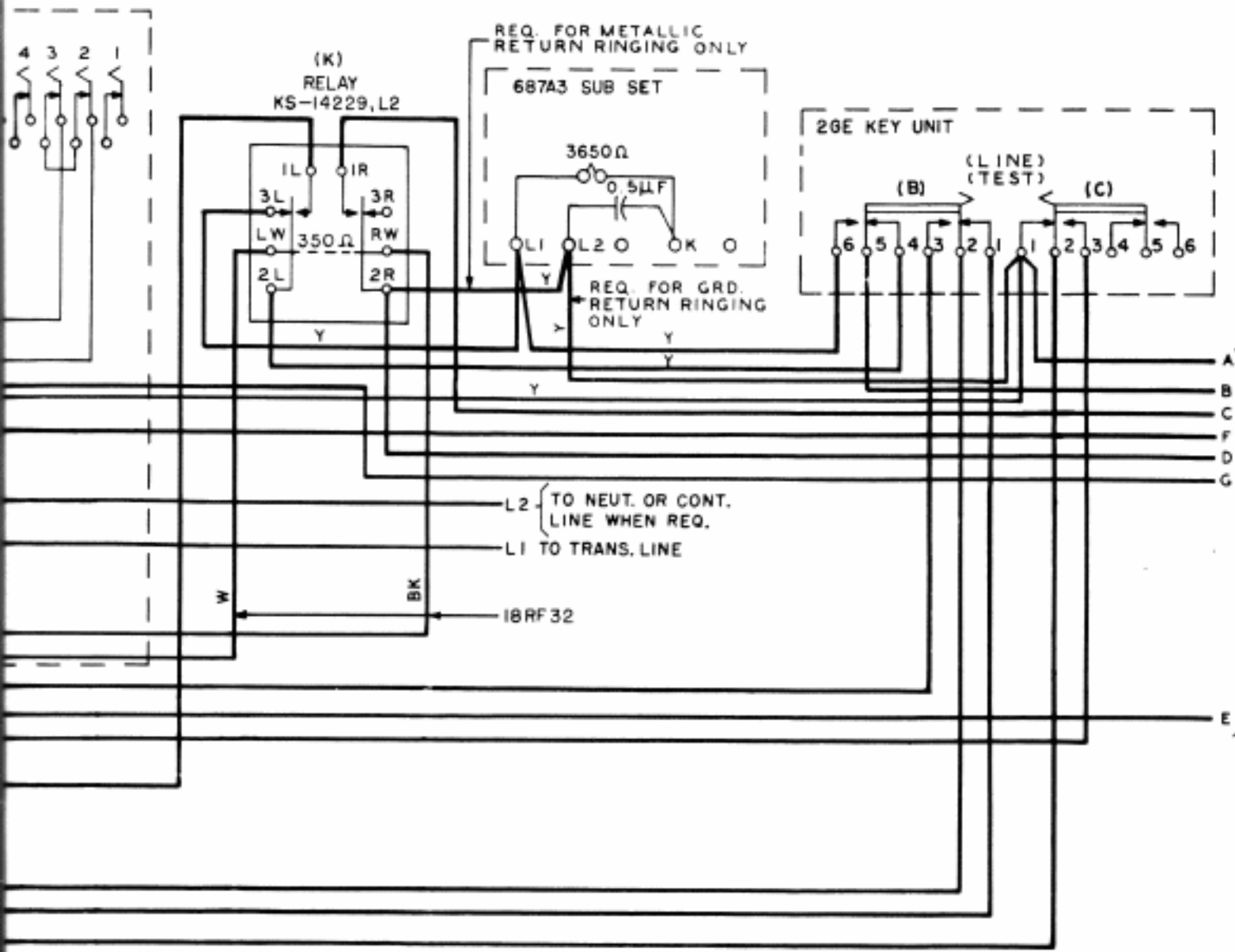


FIG. 2

NOTES:

1. ALL COLORED WIRES UNLESS OTHERWISE SPECIFIED ARE 22 GAUGE BROWN TYPE GS STATION WIRE, PER AT&TCo. SPEC. 7089.



LINE AND TABLE CONNECTIONS
FIG. 1

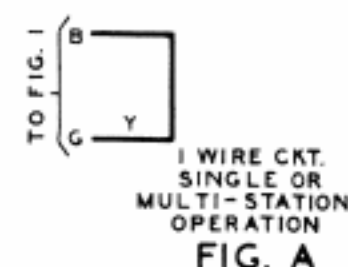


FIG. A

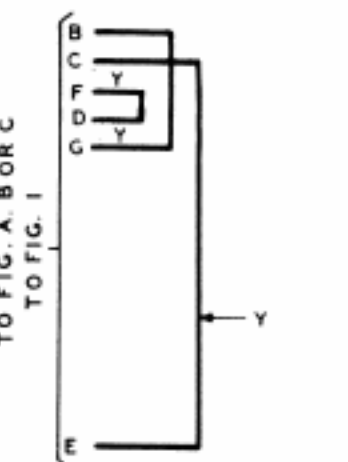


FIG. B

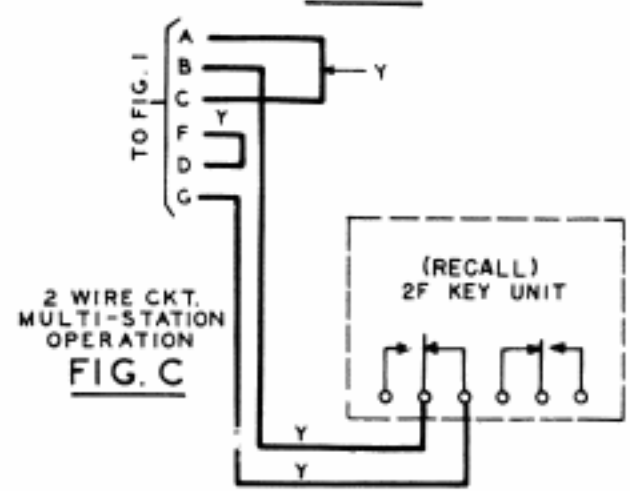


FIG. C

19 TTY
128C3 TTY SUB. SET
ATTENDED TWX SERVICE
XRT205 OR XRT206 TTY TABLE