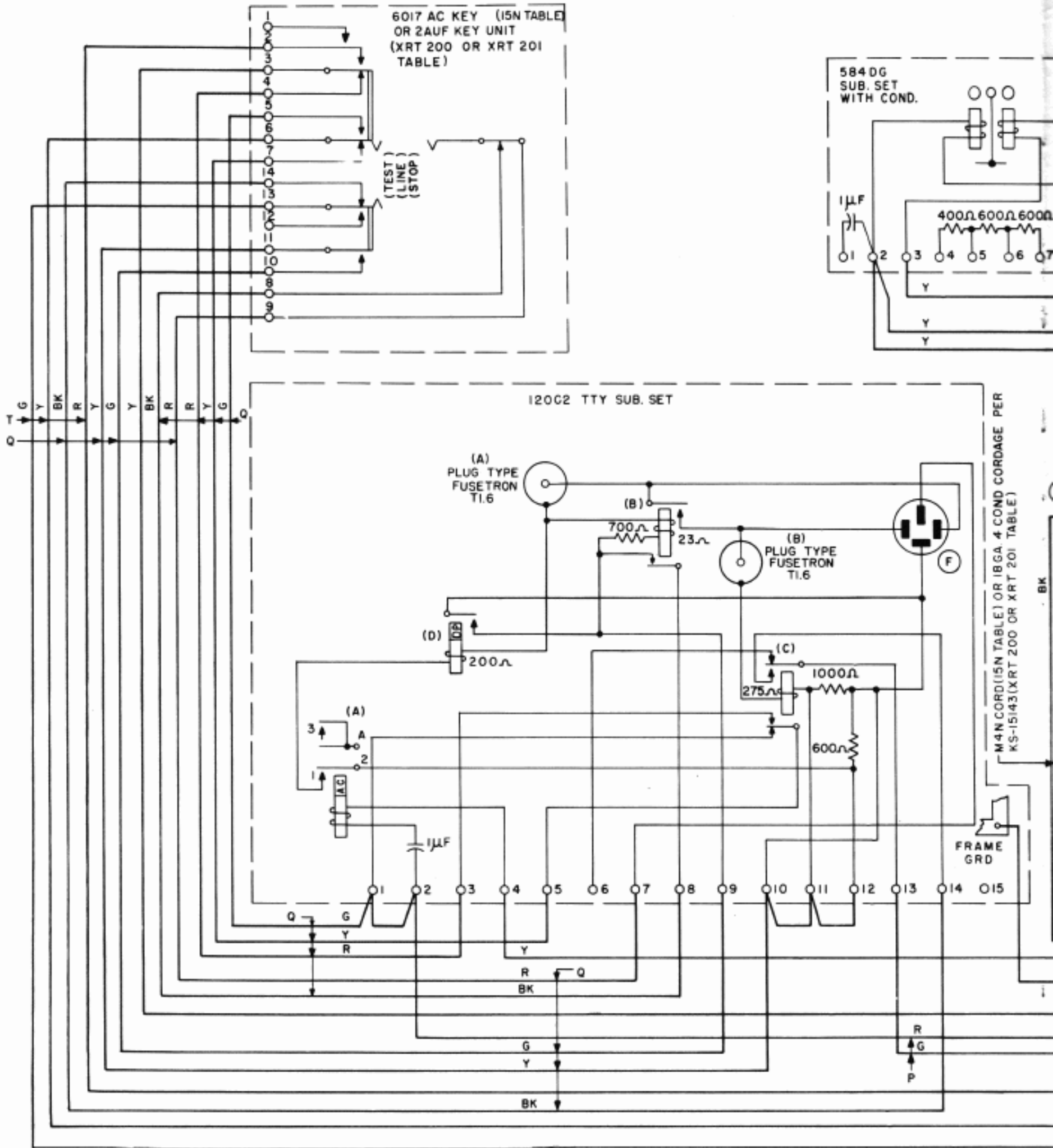
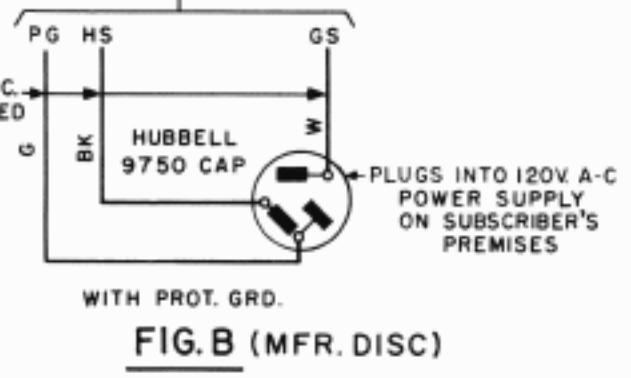
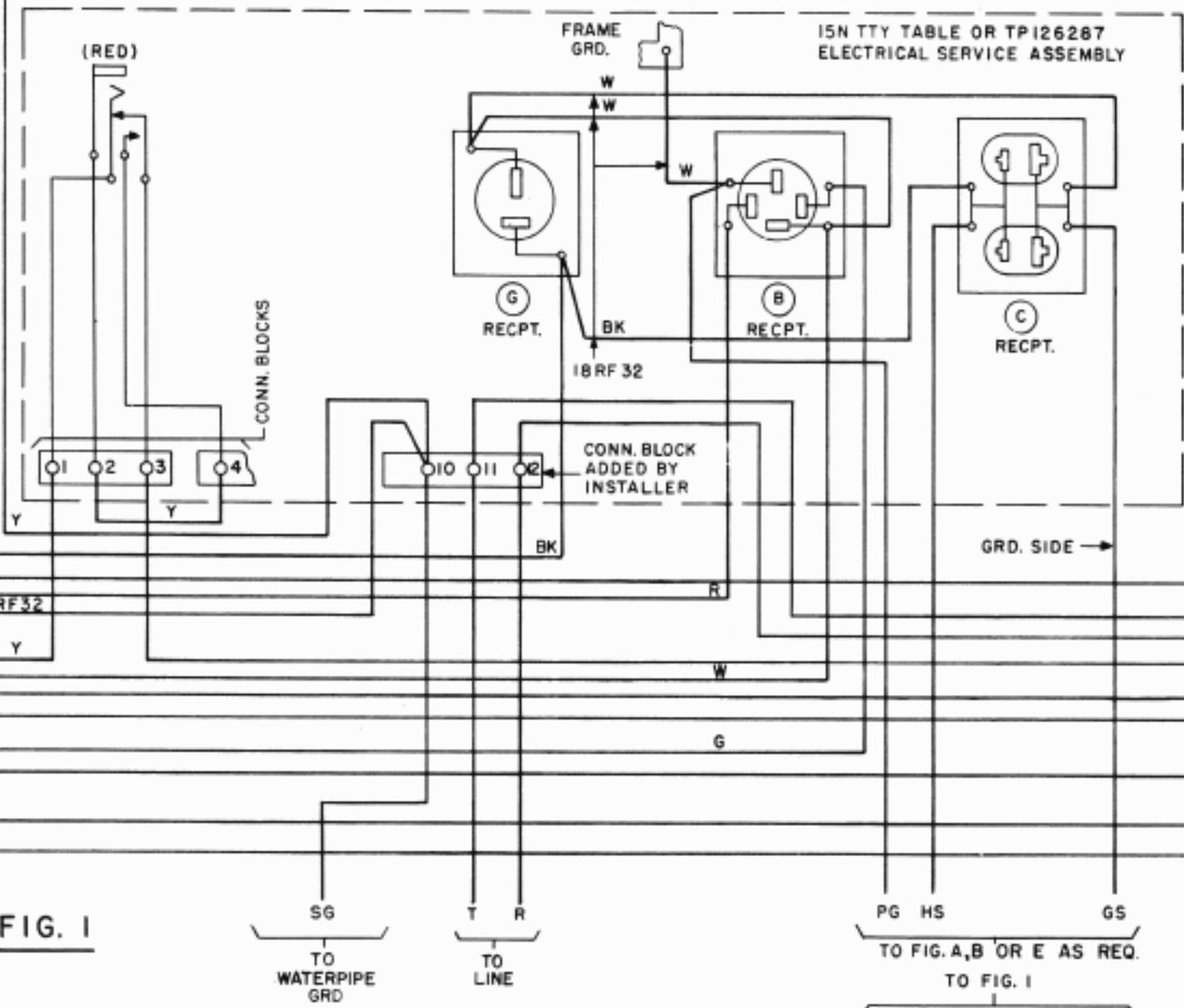
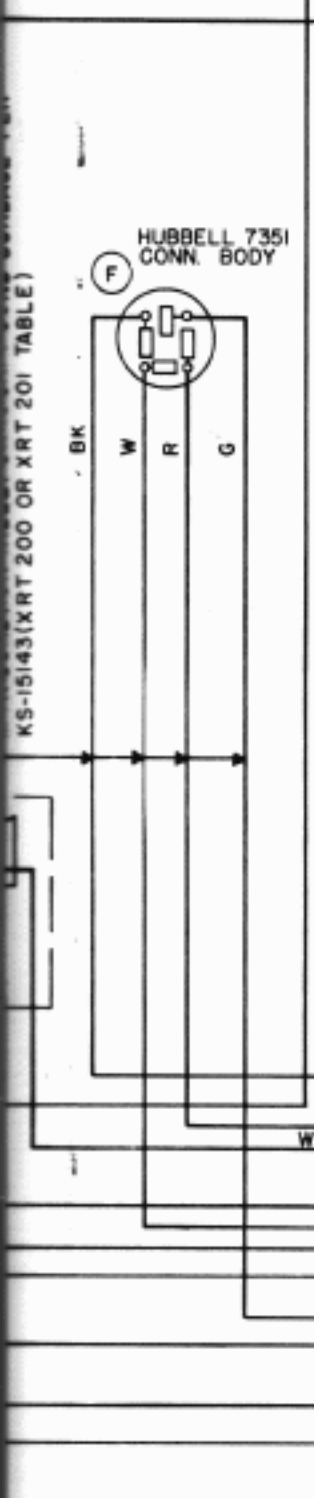
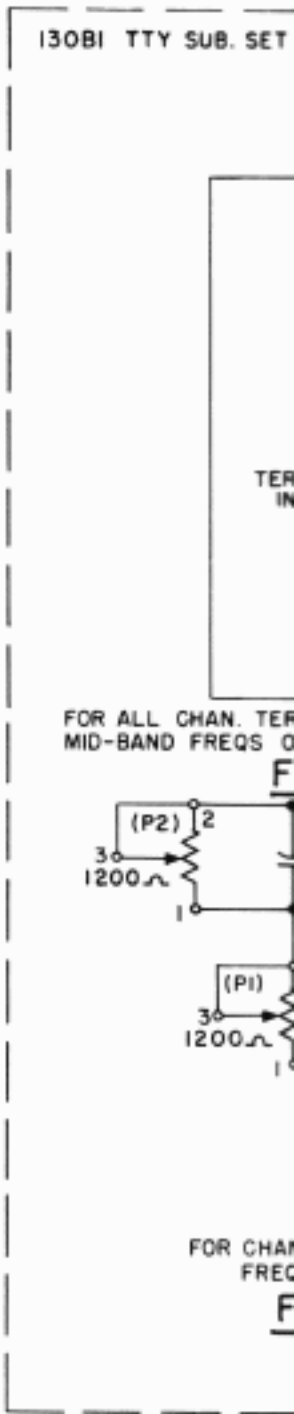
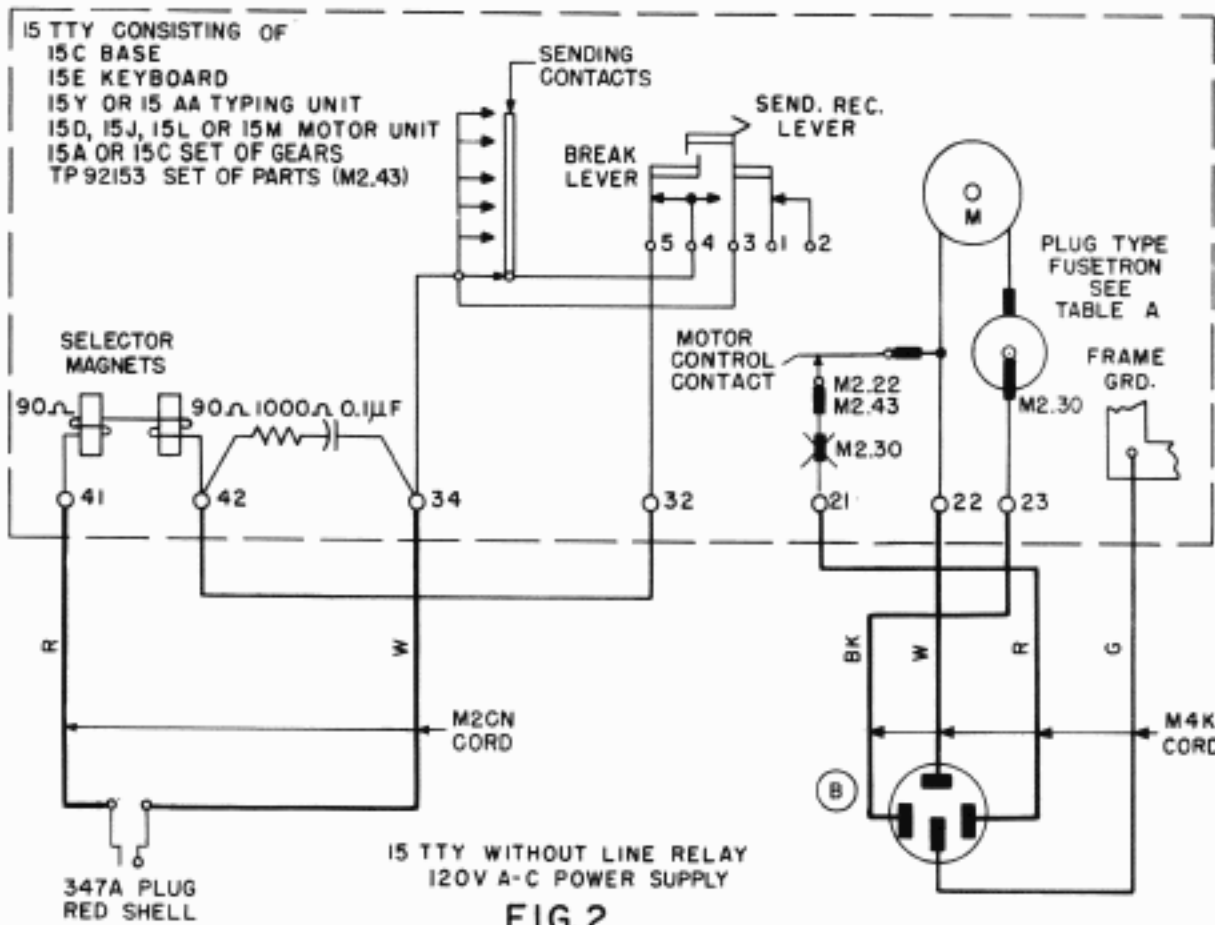
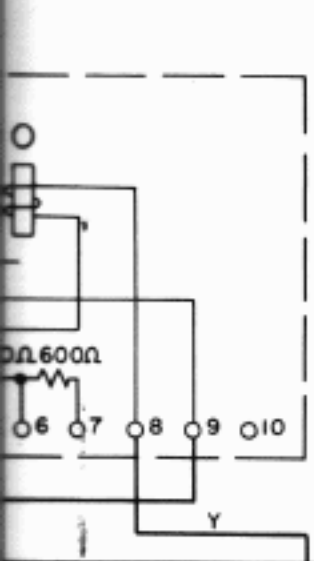
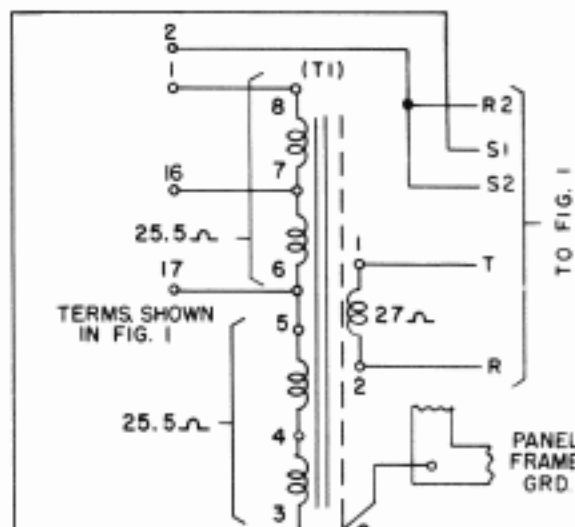


STATION IDENTIFICATION



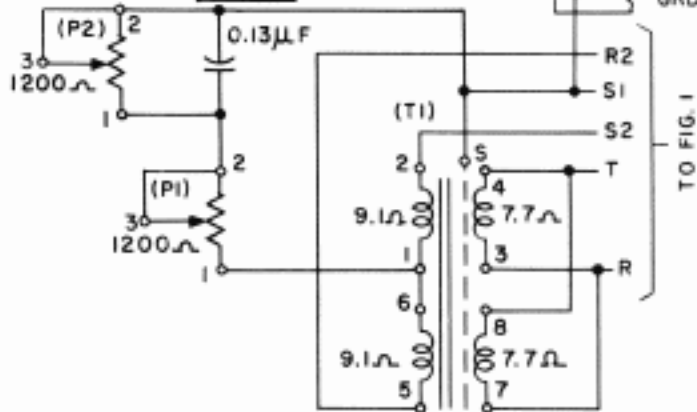


130BI TTY SUB. SET



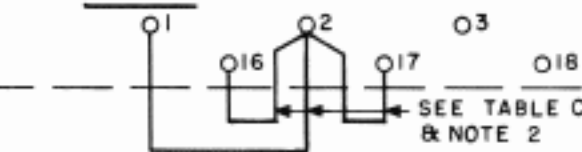
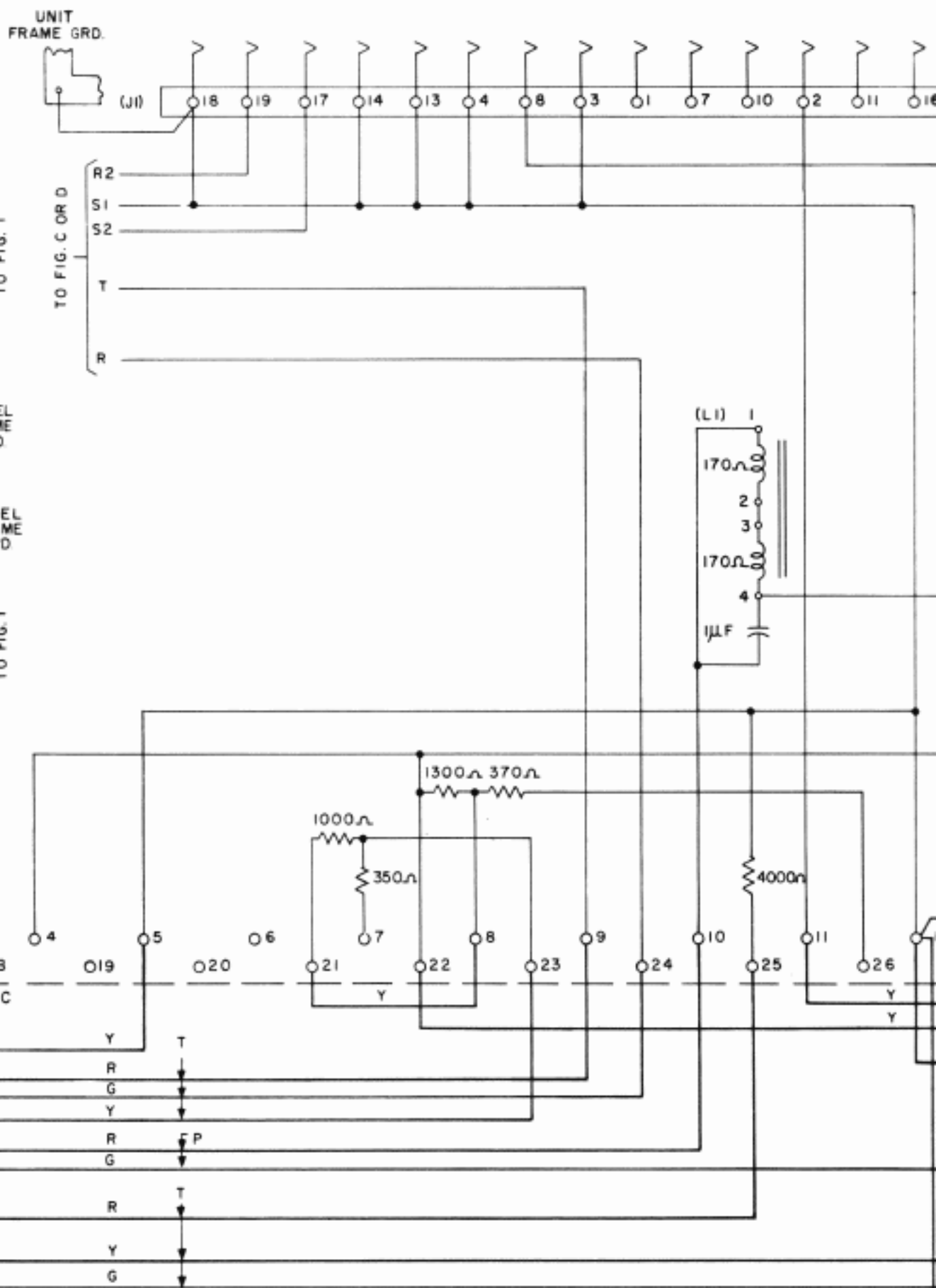
FOR ALL CHAN. TERMS. EXCEPT THAT USING
MID-BAND FREQS OF 4360 AND 4580 CPS.

FIG. C

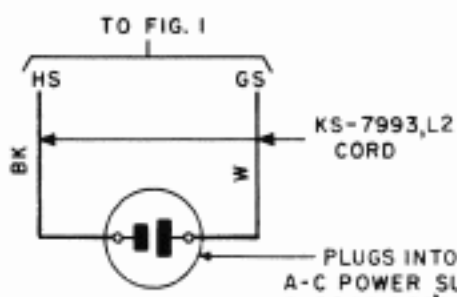


FOR CHAN. TERMS. USING MID-BAND
FREQS. OF 4360 AND 4580 CPS.

FIG. D

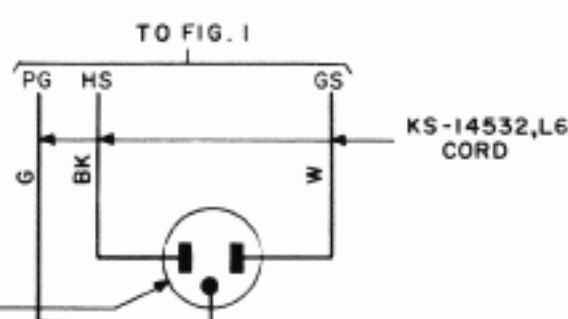


SEE TABLE C
& NOTE 2



WITHOUT PROT. GRD.

FIG. A



WITH PROT GRD

FIG. E

PLUGS INTO 120V. A-C
POWER SUPPLY
ON SUBSCRIBER'S
PREMISES

PLUGS INTO 120V.
A-C POWER SUPPLY ON
SUBSCRIBER'S PREMISES

HUBBELL
7092 CAP

MOTOR	FUSETRON
A-C SYNCH	T3.2
A-C SER	T1.6

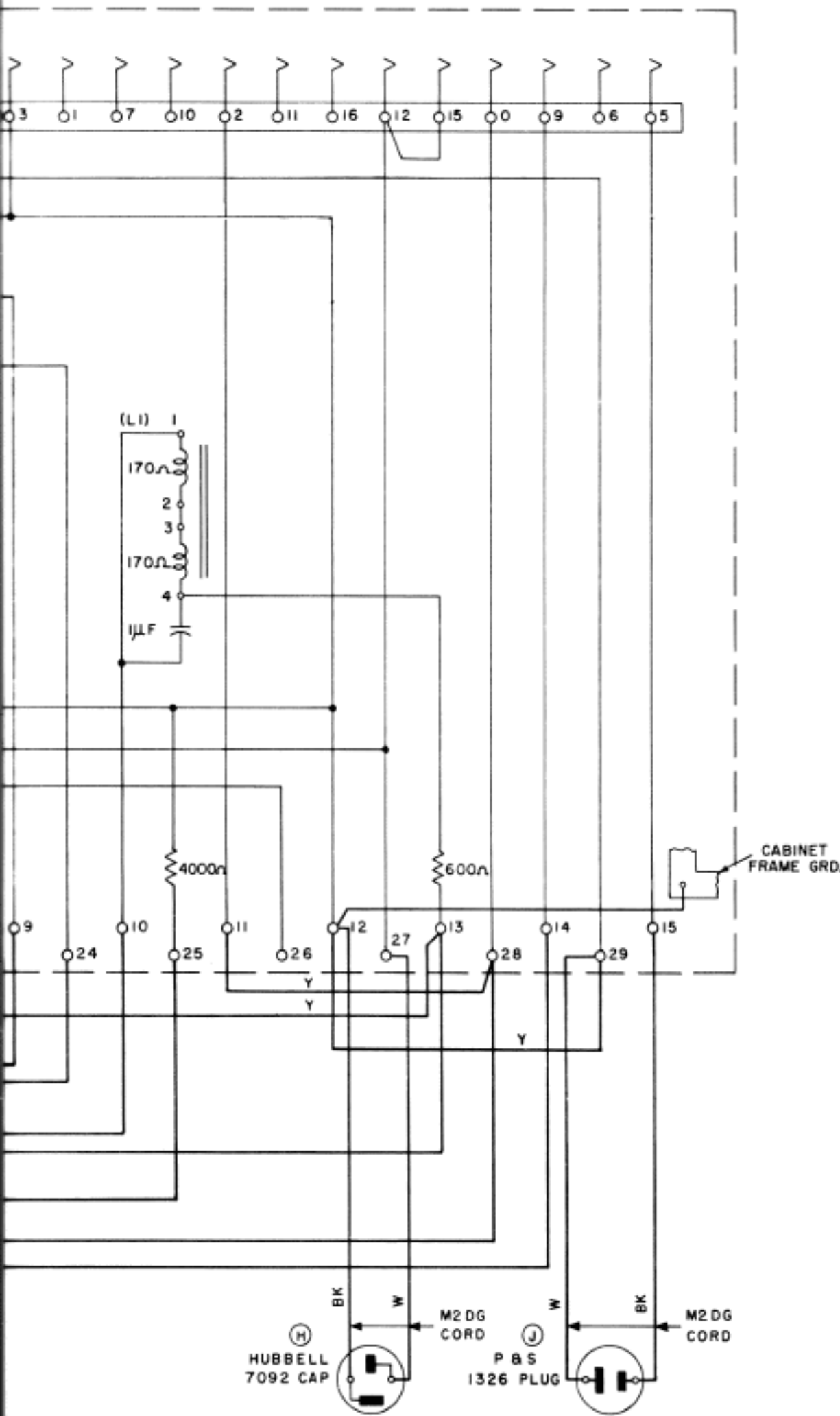
TABLE A

"M" PLANS USED	
M2.21	M2.30
M2.22	M2.43

TABLE B

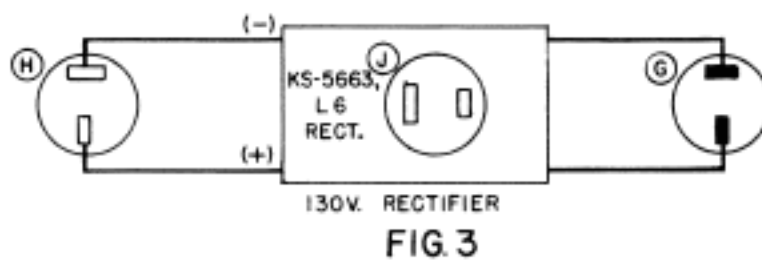
LINE IMPEDANCE	STRAP TERMS
0-400Ω	1 & 2
400-800Ω	2 & 16
OVER 800Ω	2 & 17

SEE NOTE 2
TABLE C



NOTES:

1. ALL COLORED LEADS UNLESS OTHERWISE SPECIFIED ARE 22 GA. TYPE GS STATION WIRE, BROWN, PER AT & T CO. SPEC. 7089.
2. OMIT STRAPS AT TERMINALS 1, 2, 16 & 17 OF 130B1 SET WHEN FIG. D IS USED.



130B1 TTY SUB. SET
UNATTENDED TWX SERVICE
15 TTY & 15N, XRT200 OR XRT201 TTY TABLE