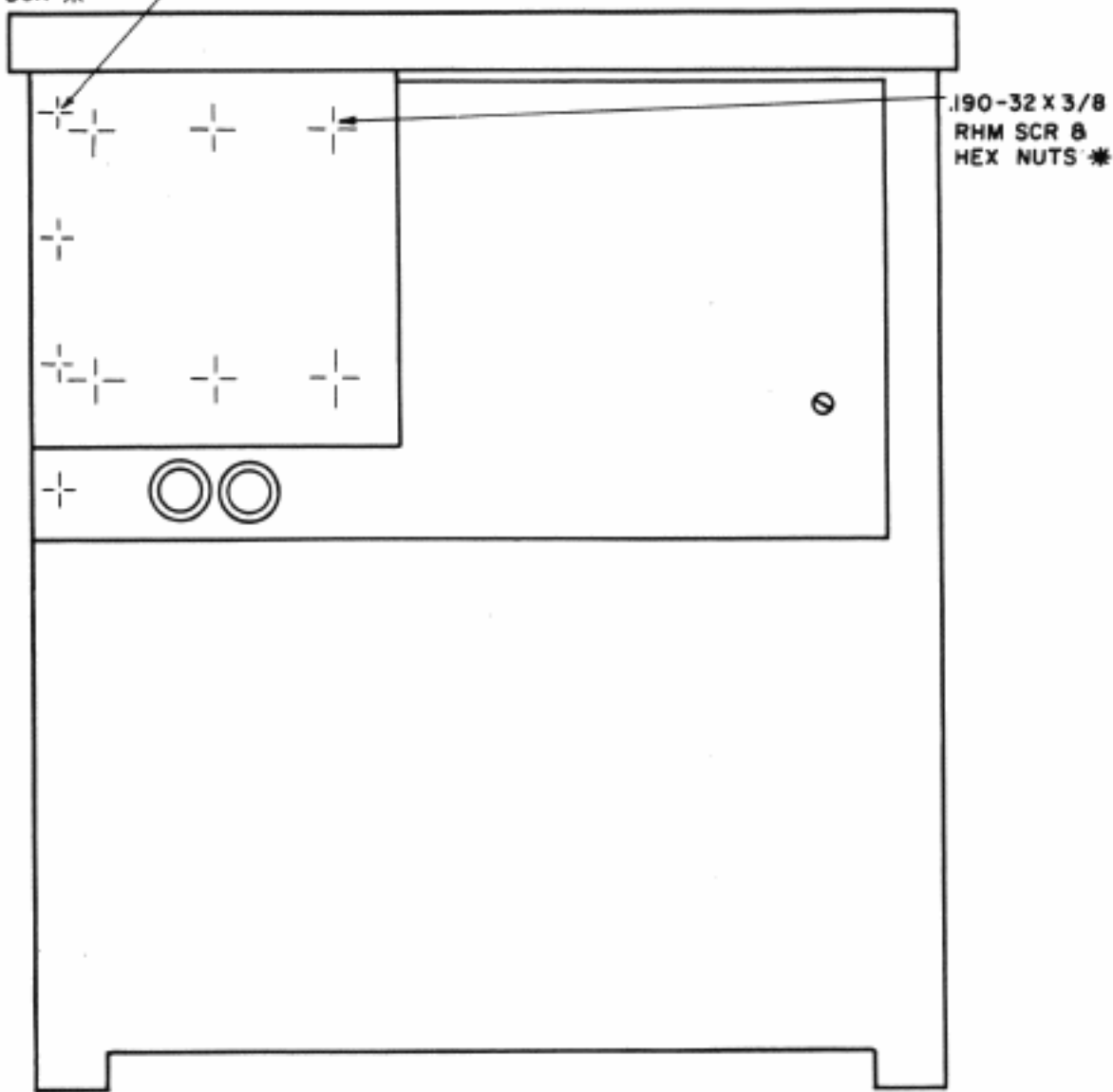


KS-5769, L3, OR  
KS-5928, L7 RECTIFIER

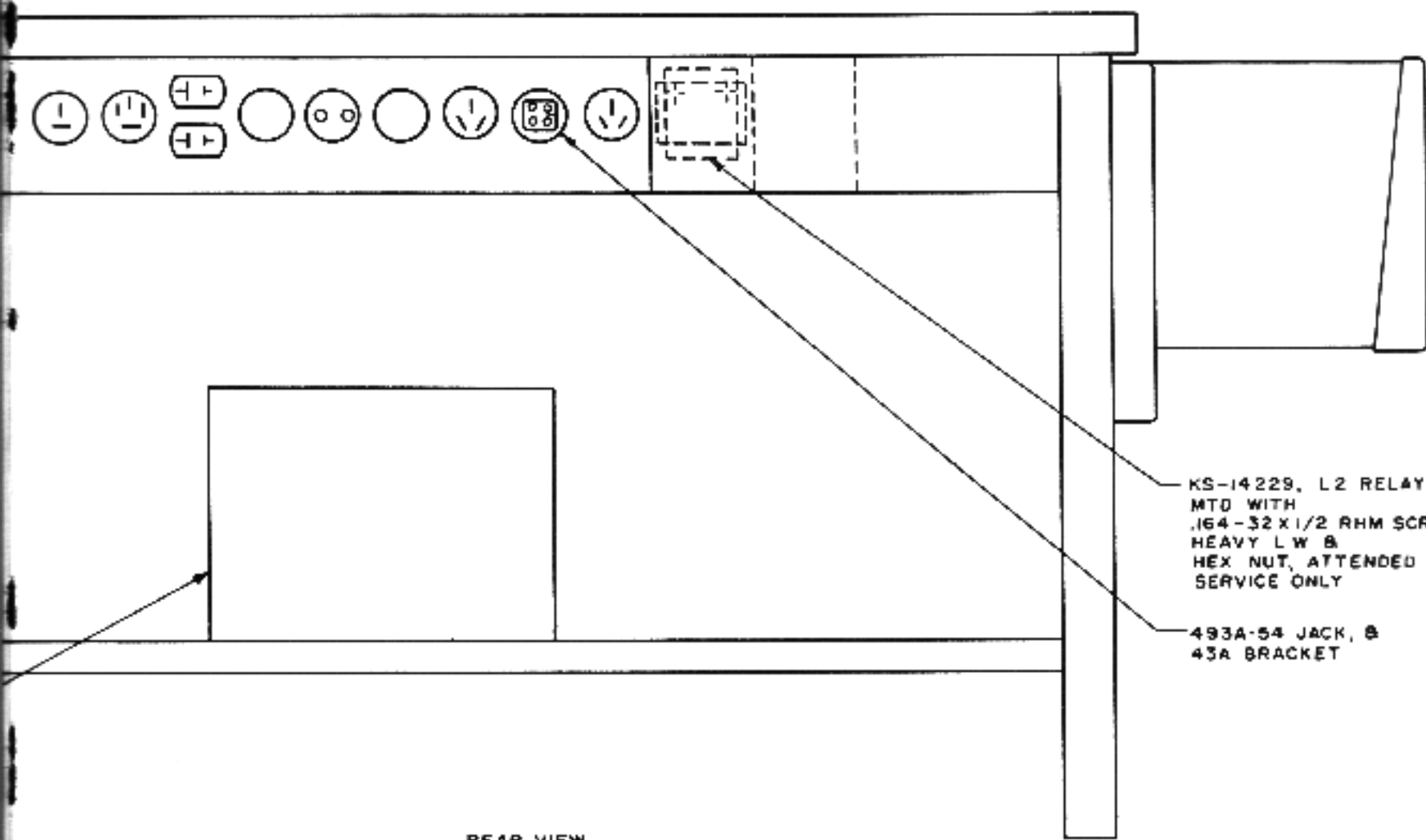
MODIFICATION OF XRT205 OR XRT206 TABLE  
(LEFT END PANEL ONLY)  
FIG. 2

P-422946 BH TYPE "Z"  
S.T. SCR \*



120C2 TTY SUB SET  
FOR UNATTENDED  
SERVICE ONLY

APPARATUS MOUNTING  
PANEL PER ED-71212-50  
GR 8 (GRAY GREEN FINISH)  
OR GR10 (BROWN FINISH)  
AS REQUIRED, FOR  
UNATTENDED SERVICE ONLY



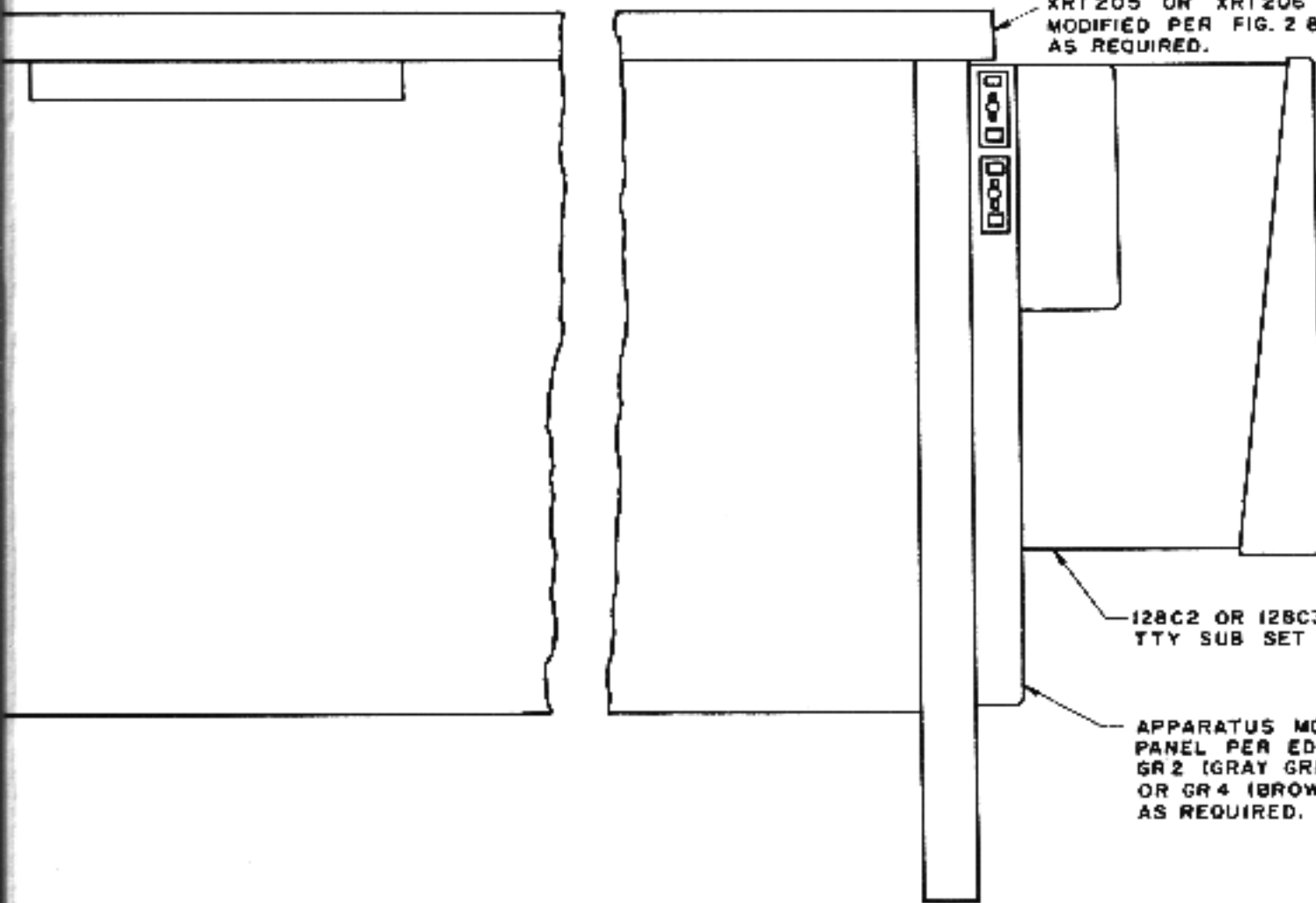
REAR VIEW

KS-14229, L2 RELAY  
 MTD WITH  
 .164-32 X 1/2 RHM SCR.  
 HEAVY LW &  
 HEX NUT, ATTENDED  
 SERVICE ONLY

493A-54 JACK, &  
 43A BRACKET

.250 DRILL  
 IN PANEL

XRT205 OR XRT206 TABLE  
 MODIFIED PER FIG. 2 & 3  
 AS REQUIRED.



FRONT VIEW  
 FIG. 1

128C2 OR 128C3  
 TTY SUB SET

APPARATUS MOUNTING  
 PANEL PER ED-71212-50  
 GR 2 (GRAY GREEN FINISH)  
 OR GR 4 (BROWN FINISH)  
 AS REQUIRED.

2 TYPE KEY UNIT  
 (STOP-LINE-TEST),  
 98A DESIG STRIP  
 & BLACK HANDLE

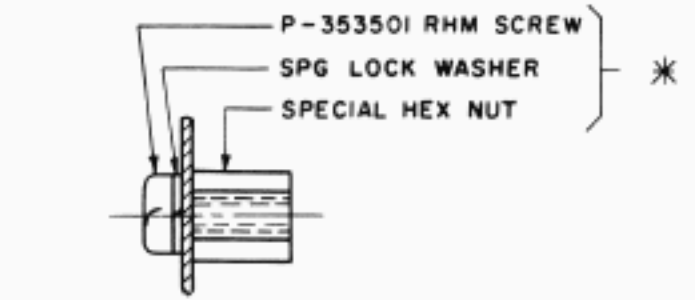
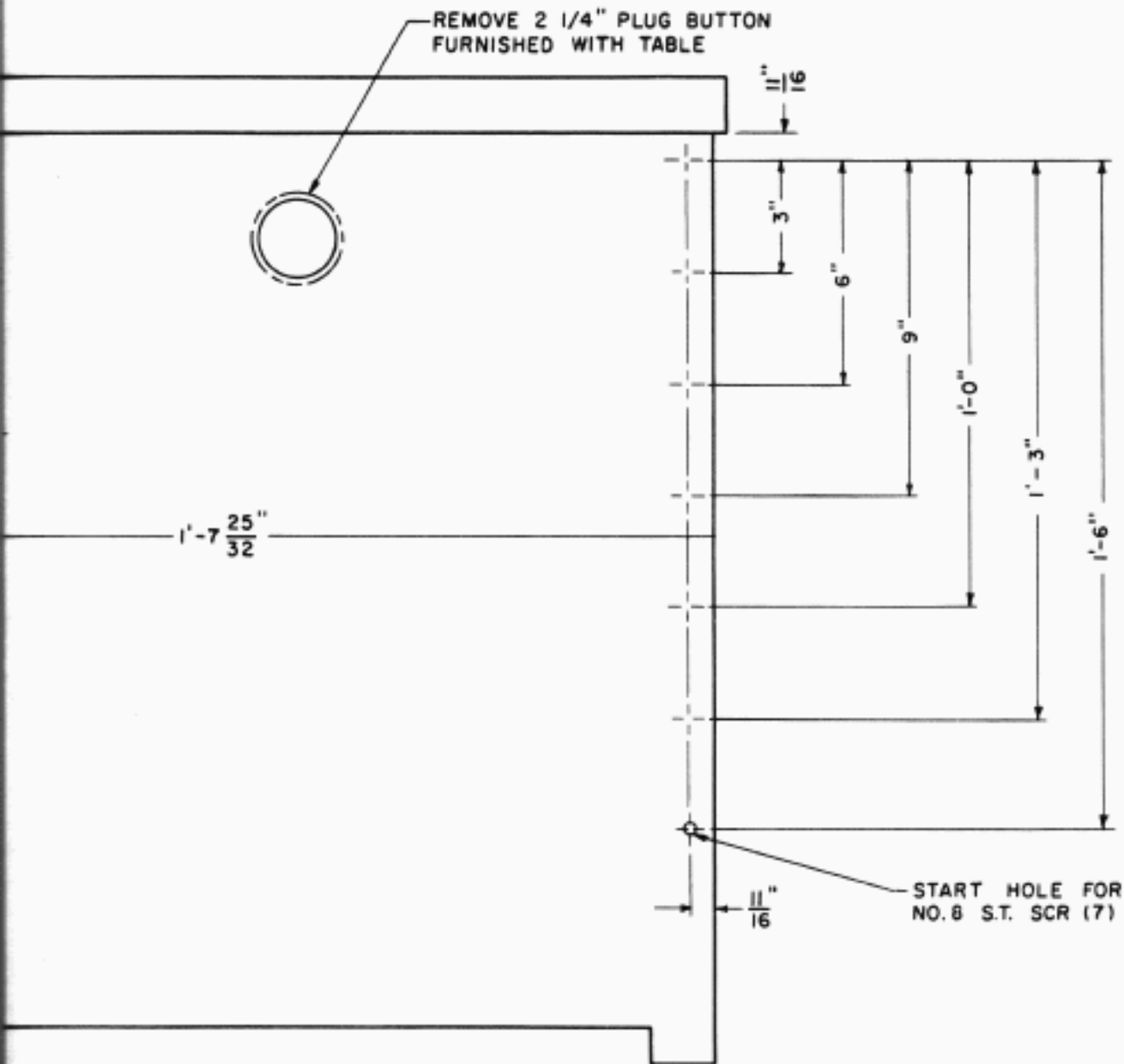
2 TYPE KEY UNIT  
 (RECALL)  
 WHEN RECD  
 98A DESIG STRIP  
 & BLACK HANDLE

.164-32 X 1/2 RHM  
 SCR & HEX NUTS

687A3 SUB SET

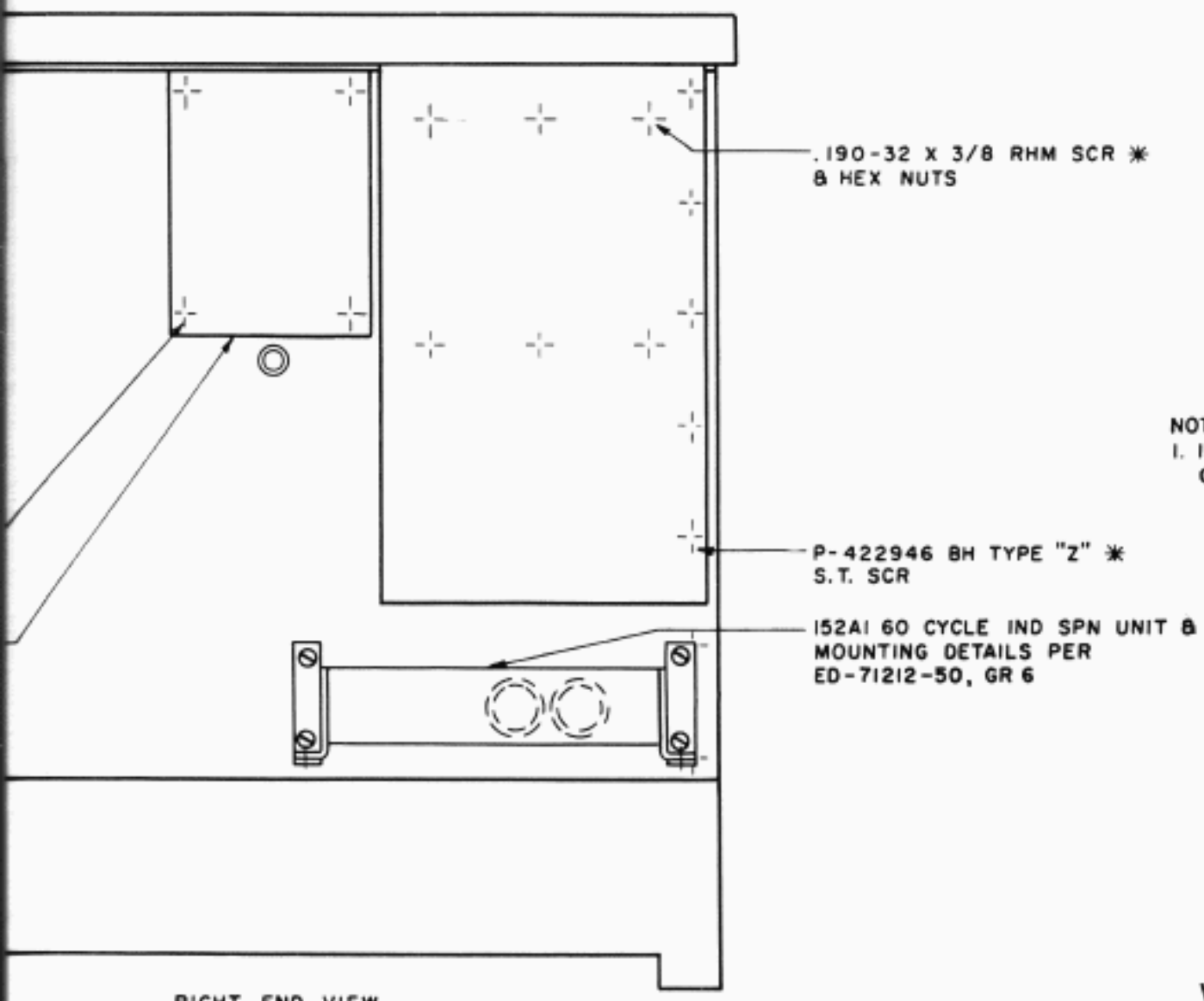
MOD

6



MOUNTING OF SPECIAL NUT  
ON OUTSIDE OF END PANELS  
SECT A-A

MODIFICATION OF XRT205 OR XRT206 TABLE  
(RIGHT END PANEL ONLY)  
FIG. 3



NOTES:  
1. ITEMS DESIGNATED \* ARE PART OF ED-71212-50,  
GR2, GR4, GR8 OR GR10

RIGHT END VIEW

ATTENDED & UNATTENDED TWX SERVICE  
WITH 128C2 OR 128C3 TTY SUBSCRIBER SET  
ON XRT205 OR XRT206 TABLE