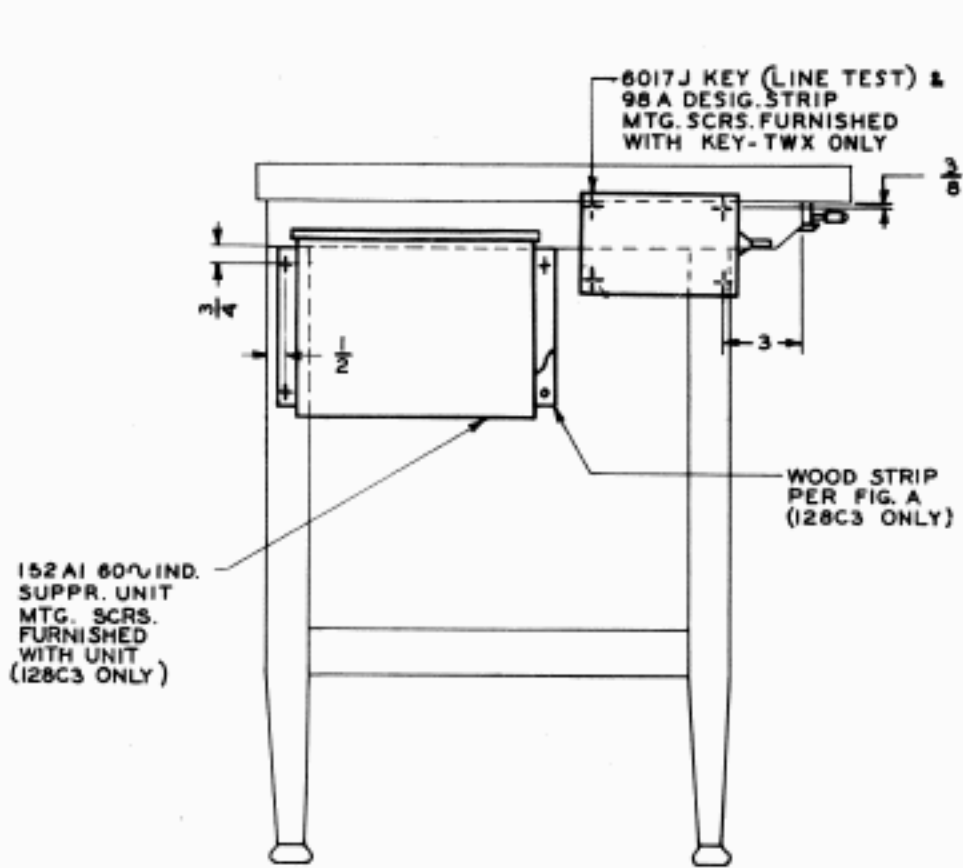
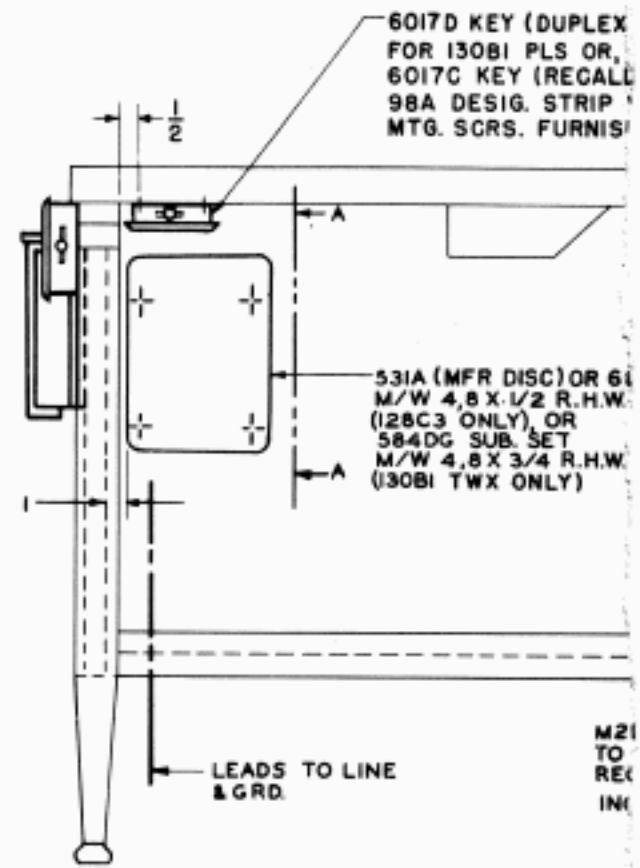


BELL SYSTEM PRACTICES

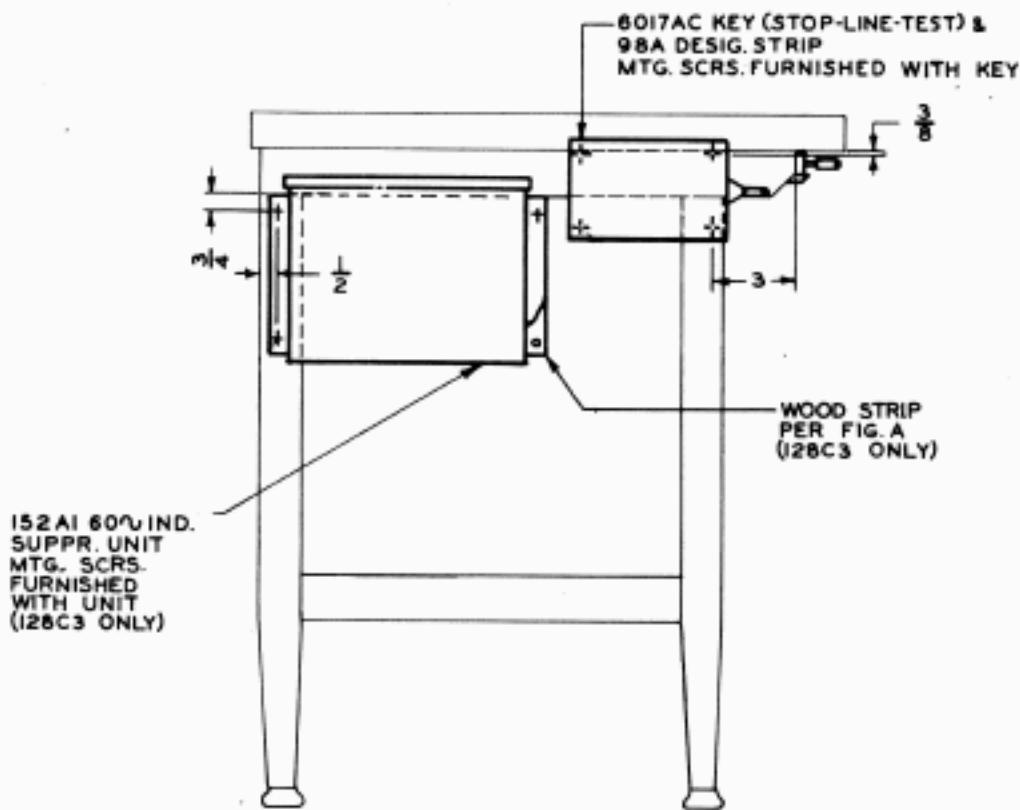
TELETYPEWRITER STATIONS



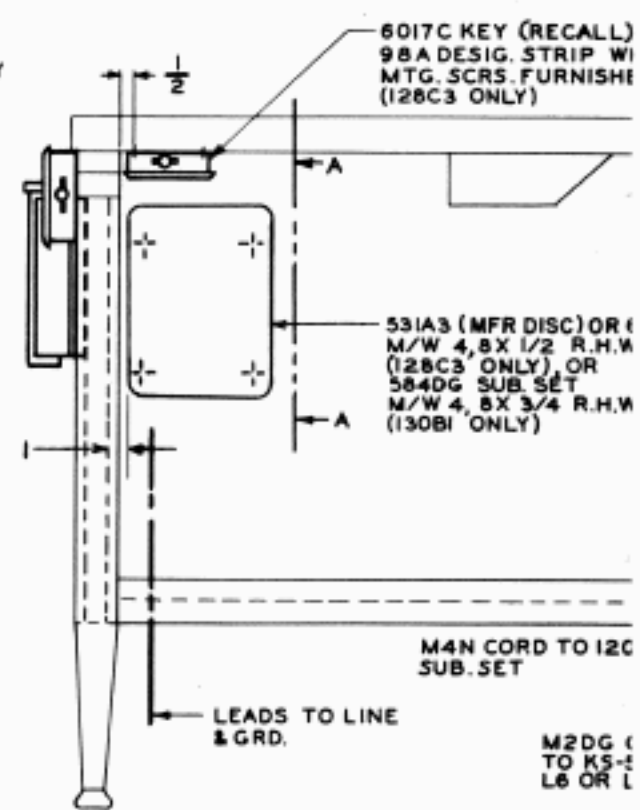
LEFT END VIEW



FRONT VIEW



LEFT END VIEW



FRONT VIEW

017D KEY (DUPLX SINGLE)
 OR 130BI PLS OR,
 017C KEY (RECALL) FOR 128C3 WITH
 8A DESIG. STRIP WHEN REQ.
 MTG. SCRS. FURNISHED WITH KEY

7286 APPLETON
 CORD CONN.

1A (MFR DISC) OR 617A3 SUB. SET
 W/ 4, 8 X 1/2 R.H.W. SCR.
 (128C3 ONLY) OR
 14DG SUB. SET
 W/ 4, 8 X 3/4 R.H.W. SCR.
 (130BI TWX ONLY)

M2DG CORD
 TO KS-5663, L6 OR L7
 RECT.
 INC. POWER LEADS

FRONT VIEW

128C3 OR 130BI
 TTY SUB. SET M/W 6,
 10 X 3/4 R.H.W. SCR.
 FURNISHED WITH SET

SQUARE SCR. HOOKS
 FURNISHED WITH
 MTG. DETAILS

KS-5663, L7 RECT.
 (128C3 ONLY) OR
 KS-5663, L6 RECT.
 (130BI ONLY)

12 X 1 3/4 R.H.W. SCR.

1 3/16 10 7/8

2 15/16

7/8

1-4 3/8

M2DG CORD
 E/W HUBBELL
 7091 CONN. BODY

M2DG CORD
 E/W HUBBELL
 7092 CAP

MTG. DETAILS
 ED-70225-01, G1

.190-32 X 1 F.H.M. SCR.
 FURNISHED WITH MTG. DETAILS

M2DG CORD E/W
 PASS & SEYMOUR
 1326 PLUG (1)

RIGHT END VIEW

PRIVATE LINE SERVICE WITH 130BI TTY SUB. SET
 OR
 ATTENDED TWX SERVICE WITH 128C3 OR 130BI TTY SUB. SET
 FIG. 1

017C KEY (RECALL) WITH
 8A DESIG. STRIP WHEN REQ.
 MTG. SCRS. FURNISHED WITH KEY
 (128C3 ONLY)

7286 APPLETON
 CORD CONN.

1A3 (MFR DISC) OR 687A3 SUB. SET
 W/ 4, 8 X 1/2 R.H.W. SCR.
 (128C3 ONLY) OR
 14DG SUB. SET
 W/ 4, 8 X 3/4 R.H.W. SCR.
 (130BI ONLY)

M4N CORD TO 120C2 TTY
 SUB. SET

M2DG CORD
 TO KS-5663,
 L6 OR L7 RECT.
 INC. POWER LEADS

FRONT VIEW

128C3 OR 130BI
 TTY SUB. SET M/W 6,
 10 X 3/4 R.H.W. SCR.
 FURNISHED WITH SET

SQUARE SCR. HOOKS
 FURNISHED WITH
 MTG. DETAILS

KS-5663, L7 RECT.
 (128C3 ONLY) OR
 KS-5663, L6 RECT.
 (130BI ONLY)

12 X 1 3/4 R.H.W. SCR.

1 3/16 10 7/8

2 15/16

7/8

1-4 3/8

M2DG CORD
 E/W HUBBELL
 7091 CONN. BODY

M2DG CORD
 E/W HUBBELL
 7092 CAP

MTG. DETAILS
 ED-70225-01, G1

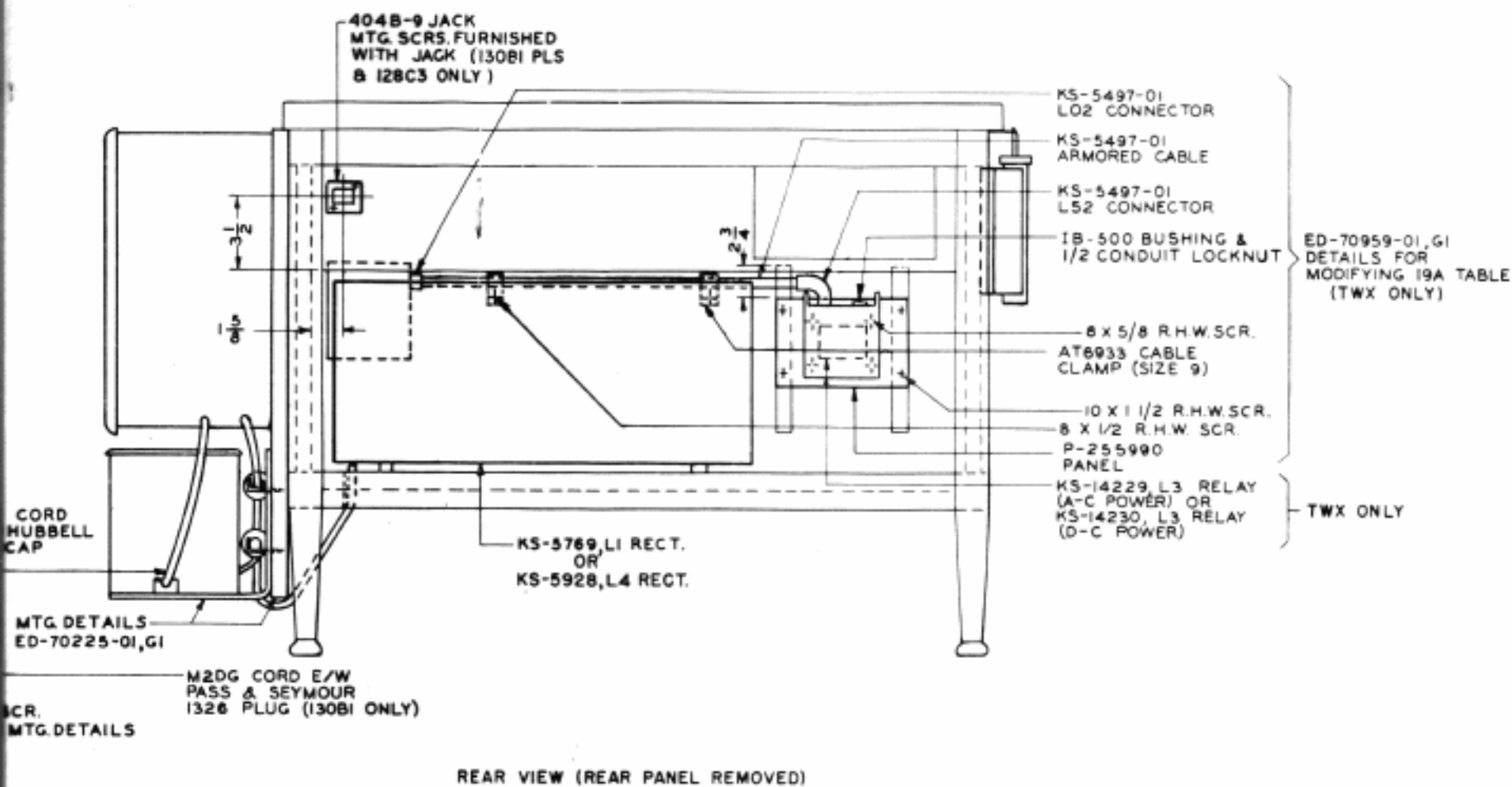
.190-32 X 1 F.H.M. SCR.
 FURNISHED WITH MTG. DETAILS

M2DG CORD E/W
 PASS & SEYMOUR
 1326 PLUG (130)

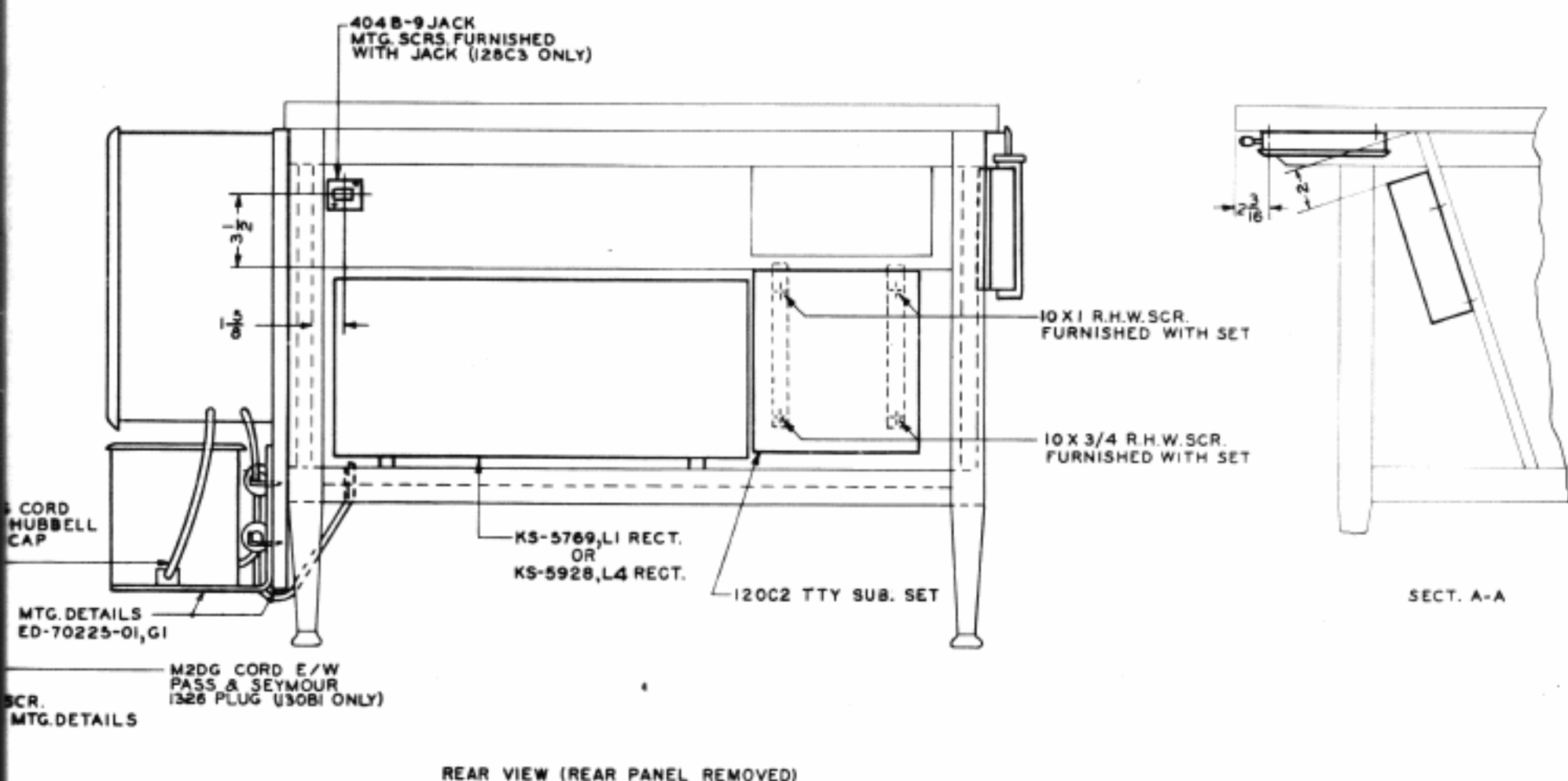
RIGHT END VIEW

UNATTENDED TWX SERVICE WITH 128C3 OR 130BI TTY SUB. SET
 FIG. 2

NOTES:
 1. ONE
 BE
 TTY



SET



SET

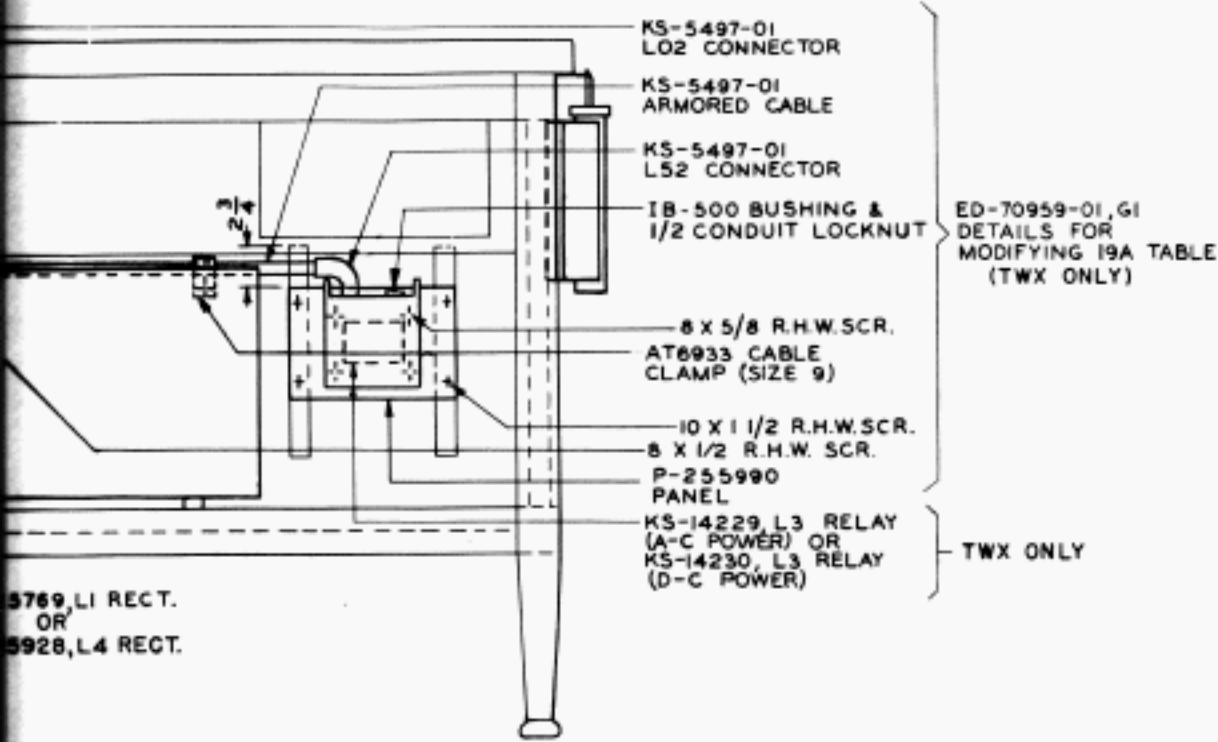
128C3 OR 130BI TTY
 FOR ATTENDED & UNATTENDED
 AND 130BI TTY SET
 FOR PRIVATE LINE
 19 TTY SET ON 19A

SECTION P 90.025

ISSUE: 4 1956
AT & T CO STANDARD

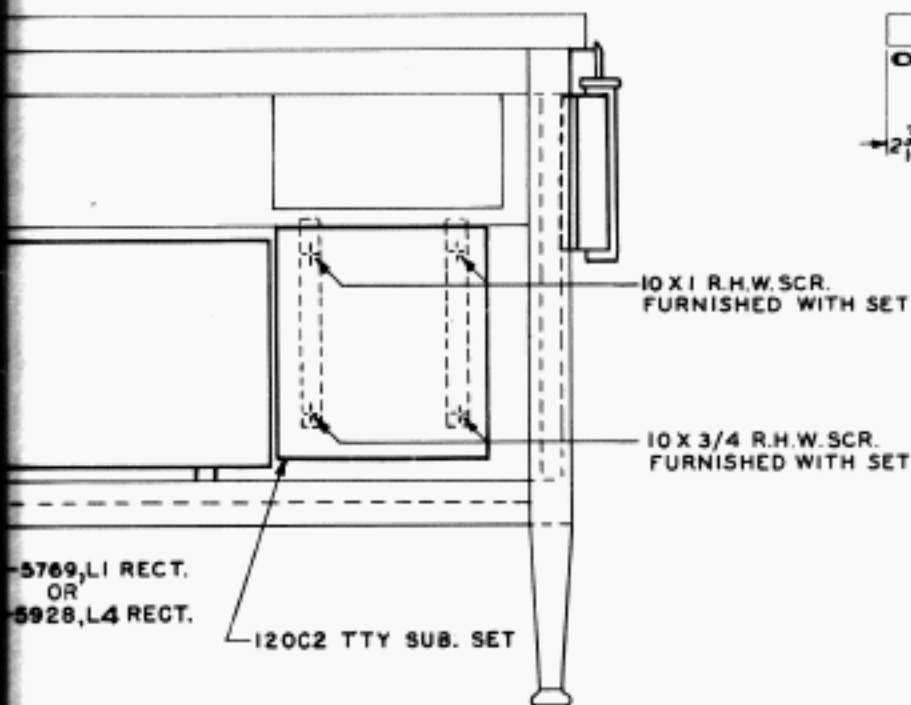
NOTES:

- ONE COPY OF STATION WIRING BSP SHALL BE PLACED IN P-419199 AND LEFT IN THE TTY TABLE.

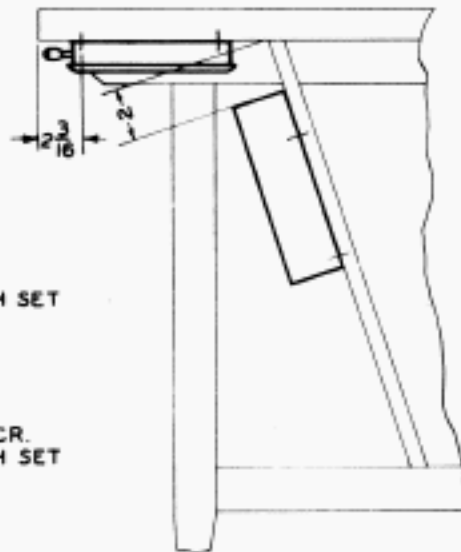


(REAR PANEL REMOVED)

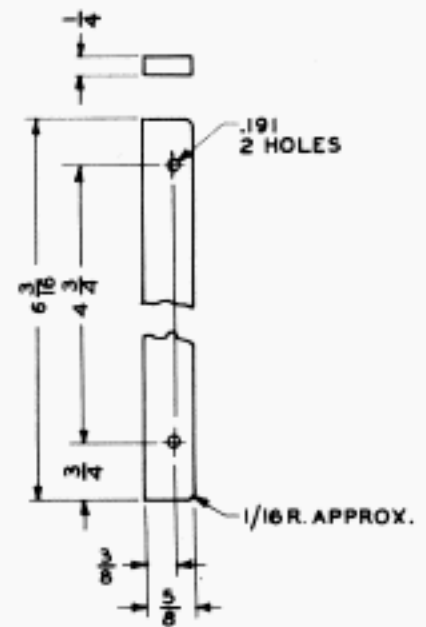
(ONLY)



(REAR PANEL REMOVED)



SECT. A-A



MATERIAL: WOOD
FINISH TO SUITABLY MATCH TABLE

FIG. A

128C3 OR 130BI TTY SUB. SET
FOR ATTENDED & UNATTENDED TWX SERVICE
AND 130BI TTY SUB. SET
FOR PRIVATE LINE SERVICE
19 TTY SET ON I9A TTY TABLE