

**BELL SYSTEM PRACTICES**  
**Station Installation and Maintenance**

**SECTION C32.504**  
**Issue 5, June, 1953**  
**AT&T Co Standard**

## **TELEPHONE SETS**

### **DESK TYPES**

### **CORDING**

#### **1. GENERAL**

1.01 This section covers the cording of the D-173487, 302, 303, 304, 305, 306, 307, 309 and 329-type telephone sets.

1.02 It is reissued to include information covered by Addendum to Issue 4, cording information for 329-type telephone sets, for 306 and 309-type telephone sets equipped with a 426A vacuum tube and for sets equipped with the 6-type dial. Due to the extent of rearrangement, arrows indicating revisions have been omitted.

1.03 If desired by the subscriber, except in the case of the D-173487 set equipped with D-171328 and D-171327 cords, both the mounting cord and the handset cord may be brought out through the opening in the rear of the telephone set mounting instead of through separate openings as shown in the figures herein.

1.04 Cord should be properly anchored within the mounting. If re-cording is necessary, cords and conductors should be arranged in accordance with the applicable figure. Conductors should be dressed so as not to come into contact with ringer gongs and moving parts. In connecting conductors to terminal "R" of 4- and 5-type dials and to terminals "W" and "Y" of 6-type dials be sure that the cord tips do not come into contact with the metal housing or adjacent dial mounting screws. **On 6-type dials in connecting conductors to "BK" terminal, care should be taken to position cord tips as shown in the applicable figures to avoid possible interference between the cord tips and the ringer.**

1.05 When attaching "S" hooks of the mounting and handset cords to the bracket of the telephone set, the mounting cord shall always be attached first and towards the hinge of the set, and then the handset cord shall be attached. The diagrams in this section are drawn with the portion of the bracket to which the "S" hooks of the cords are attached slightly deformed from its true position. Similarly, the terminal block over the condenser in the 309-type sets is shown tilted to illustrate the cording.

1.06 Figures given herein are intended to show only mechanical arrangement of the cords and conductors within the telephone sets, so as to obtain correct anchorage, avoid interference with other parts, etc. For connections, except for the 329-type telephone sets, refer to connection sections in subdivision C63 and for the 329-type sets refer to appropriate SD drawings.

## 2. **CORDING**

### **General**

2.01 The telephone sets covered by this section are corded in accordance with the figures and notes given below.

2.02 Where the handset cord is provided with a stay cord (Connecticut handset cord), the stay cord shall pass twice around the cord anchoring bracket at the point engaged by the "S" hook. Then wrap the stay cord around conductors and secure with at least three cable stitch loops so as to anchor cord in same relative position as shown in the figures.

### **Manual Telephone Sets**

2.03 Manual sets are corded the same as dial sets of similar code number in accordance with the applicable figure of Figs. 5 to 21, inclusive, except for the variations caused by the presence of an apparatus blank in the manual sets instead of a dial. The cording at the apparatus blank should be as shown in Fig. 1.

## Dial Telephone Sets

2.04 The cording of dial sets equipped with 6-type dials and with standard Western Electric Company's or Connecticut Telephone and Electric Company's handsets should be in accordance with the applicable figure of Figs. 5 to 21, inclusive. The same information applies to sets with 4- or 5-type dials except for the dial cording which should be as shown in applicable figure of Fig. 3 or 4 for dials with twin contacts and as shown in Fig. 2 for dials with single contacts.

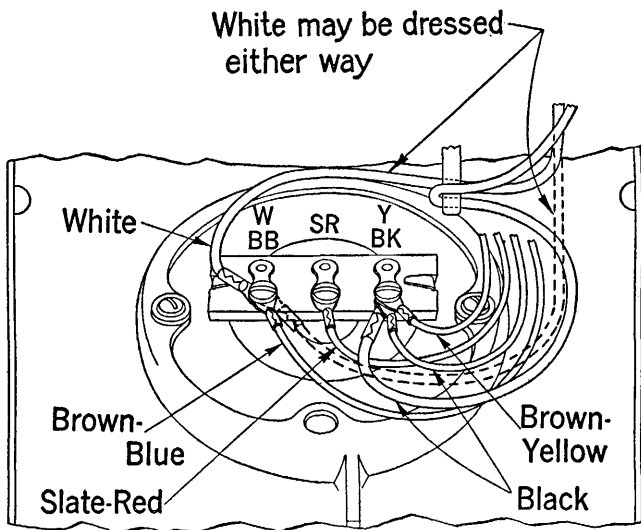
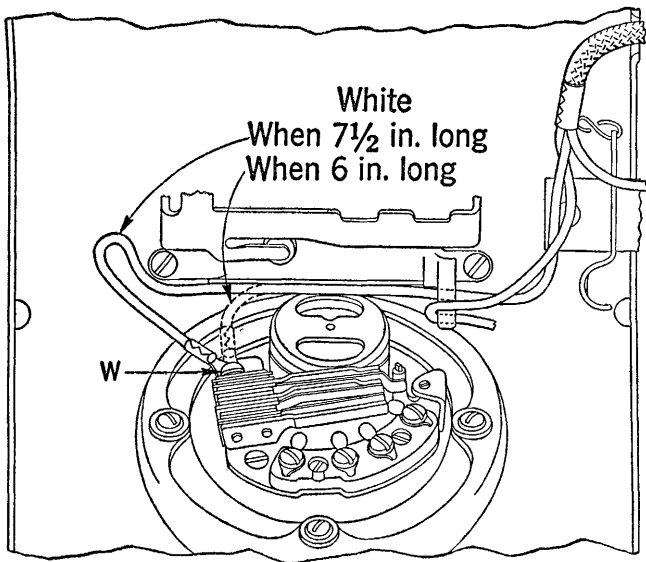
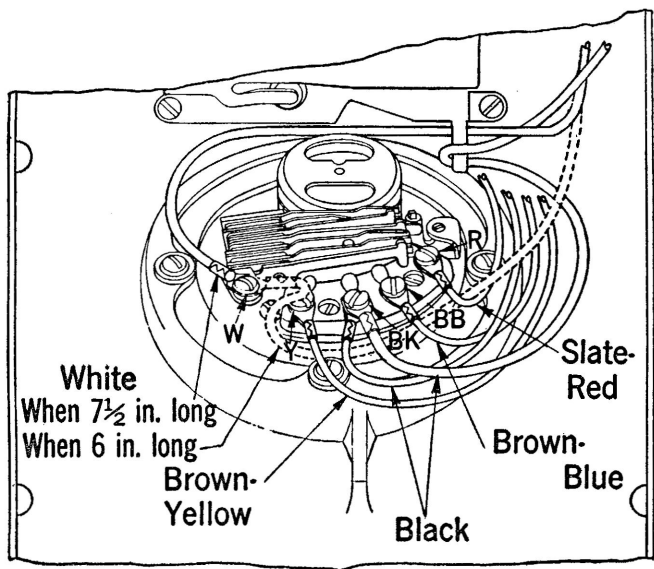


Fig. 1—82A Apparatus Blank

**Note:** Fig. 1 shows the cording of the apparatus blank of D-173487, 302A, 302E, 303A, 305A, 305E and 306A telephone sets. The other manual sets, 302AA, 304A, 307A, 307E, 309A and 329A, have similar cording except for variations in the number and color of the conductors terminating at the apparatus blank of these sets.



**Fig. 2—Single Contact 4- or 5-Type Dial**



**Fig. 3—Twin Contact 4- or 5-Type Dial**

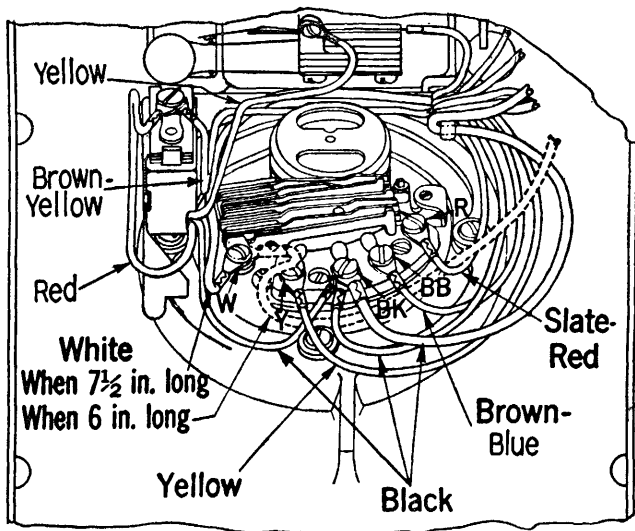
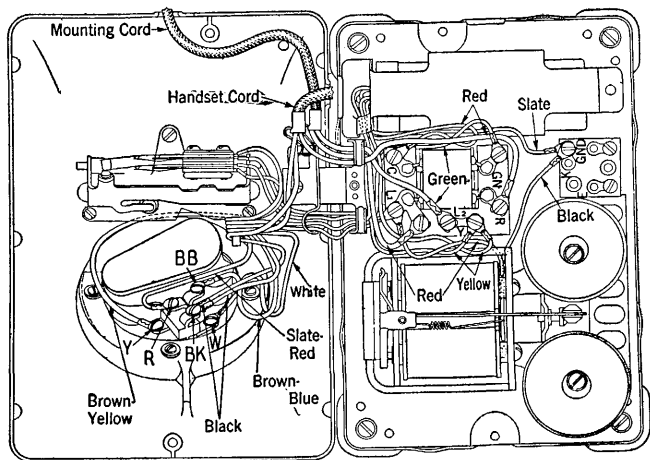


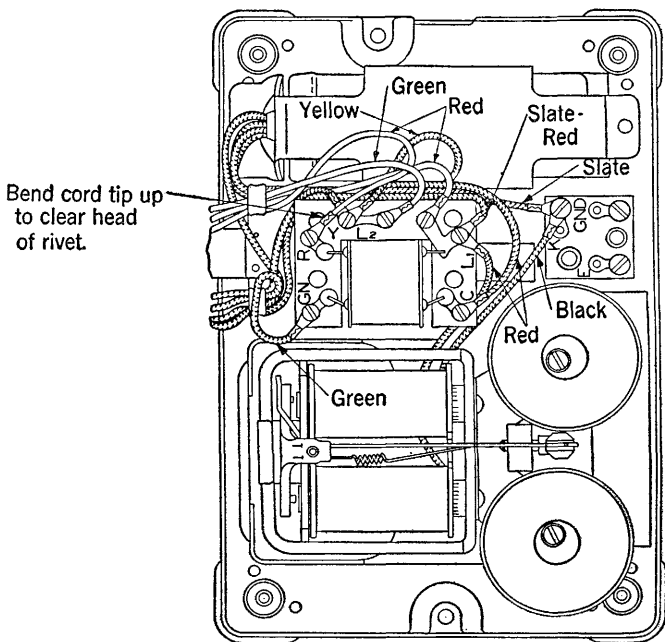
Fig. 4—Twin Contact 4- or 5-Type Dial with 61P Filter



**Fig. 5—D-173487 (2 conductor) 302B, 302C and 302D Telephone Sets**

(H1 Telephone Set Mounting "New Style" with 6-Type Dial Shown)

**Note:** No code or D number is assigned to the telephone set mounting forming part of the D-173487 telephone set. However, with regard to features affecting the cording, it is similar to the H1 telephone set mounting.

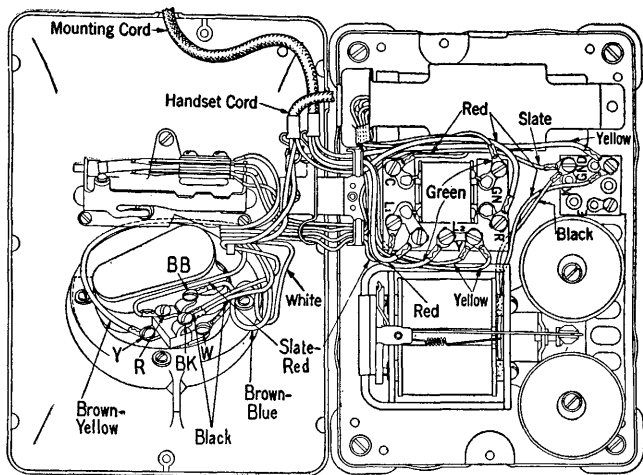


**Fig. 6—302B, 302C and 302D Telephone Sets**

(H1 Telephone Set Mounting "Old Style" Shown)

**Note:** See Fig. 5 for cording of housing.

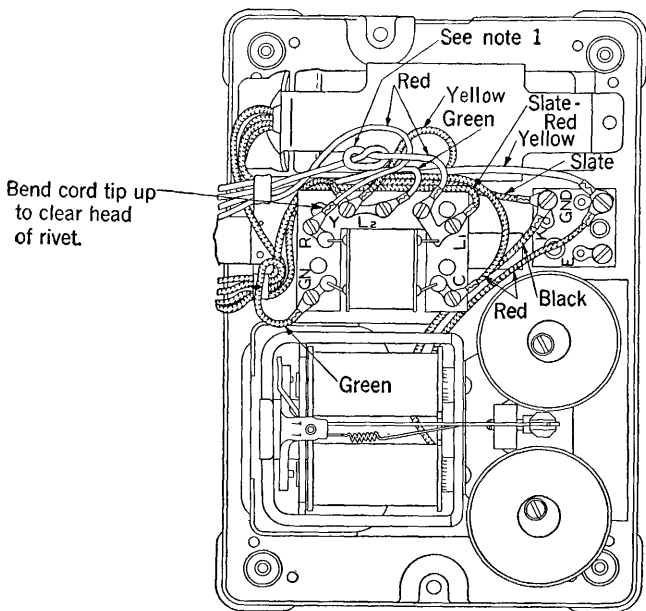




**Fig. 7—D-173487 (3 conductor), 302F, 302G and 302H Telephone Sets**

(H1 Telephone Set Mounting "New Style" with 6-Type Dial Shown)

**Note:** No Code or D number is assigned to the telephone set mounting forming part of the D-173487 telephone set. However, with regard to features affecting the cording it is similar to the H1 telephone set mounting.

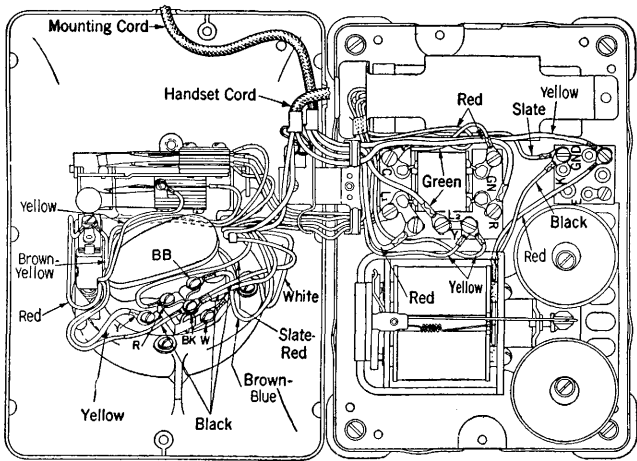


**Fig. 8—302F, 302G and 302H Telephone Sets**

(H1 Telephone Set Mounting "Old Style" Shown)

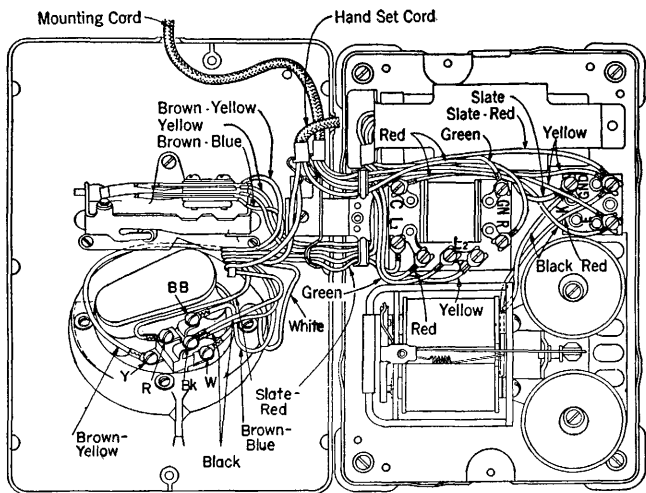
**Note 1:** Knot required only when red conductor is long.

**Note 2:** See Fig. 7 for cording of housing.



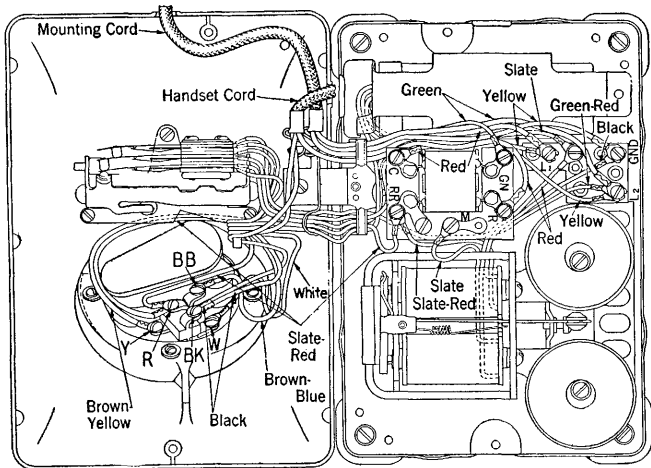
**Fig. 9—302 AC Telephone Set**

(H13 Telephone Set Mounting with 6-Type Dial Shown)



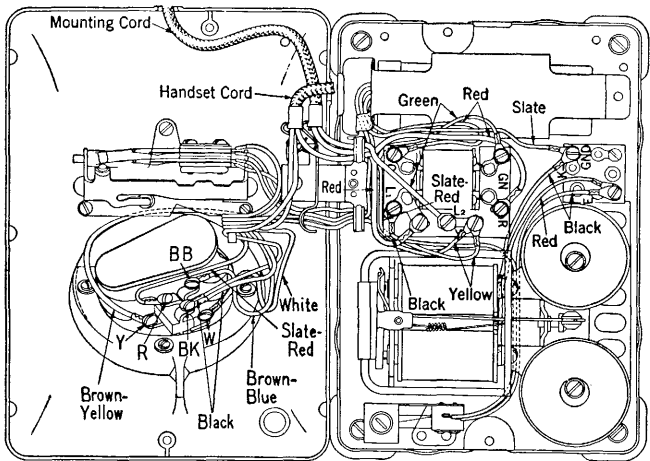
**Fig. 10—303B, 303C and 303D Telephone Sets**

(Special H1 Telephone Set Mounting with 6-Type Dial Shown)

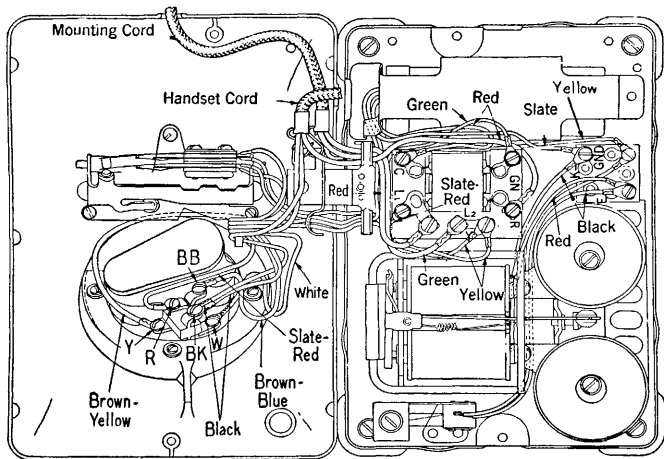


**Fig. 11—304B, 304C and 304D Telephone Sets**

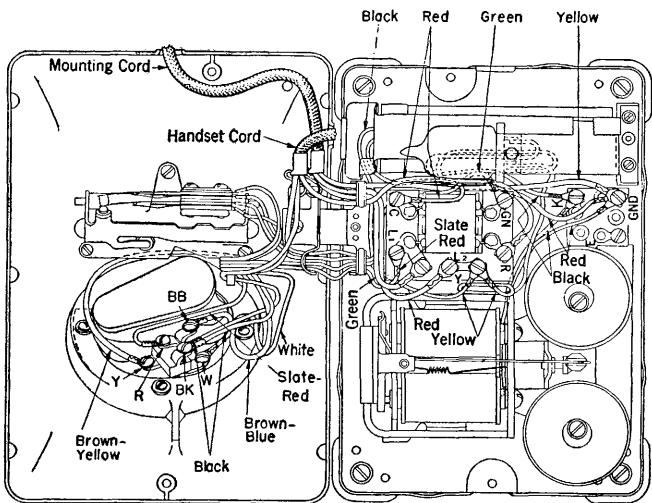
(H3 Telephone Set Mounting with 6-Type Dial Shown)



**Fig 12—305B, 305C and 305D Telephone Sets**  
 (H4 Telephone Set Mounting with 6-Type Dial Shown)

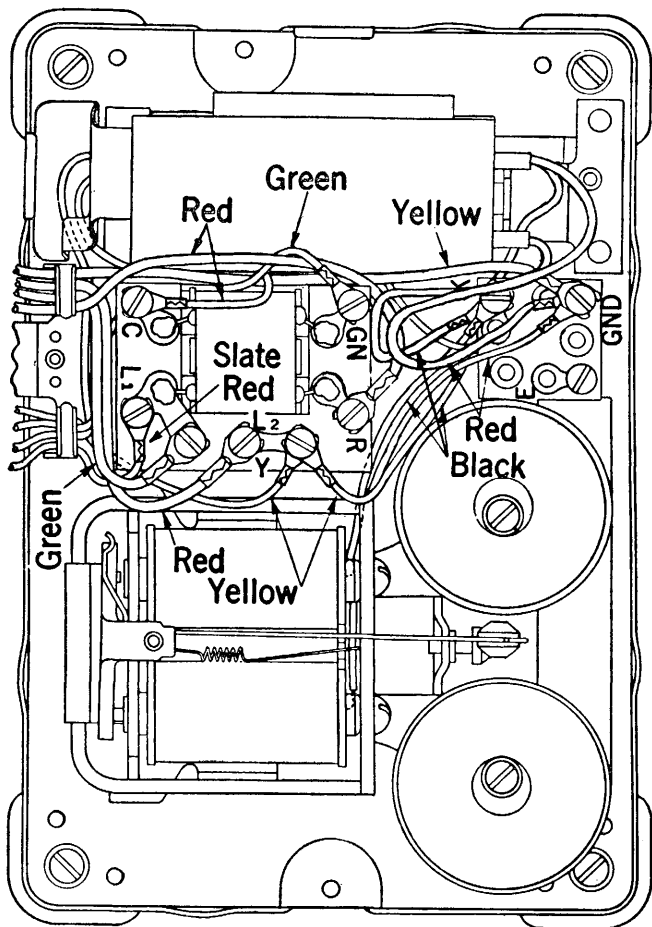


**Fig. 13—305F, 305G and 305H Telephone Sets**  
 (H4 Telephone Set Mounting with 6-Type Dial Shown)



**Fig. 14—306B, 306C and 306D Telephone Sets**

(H5 Telephone Set Mounting with 426A Vacuum Tube and 6-Type Dial Shown)

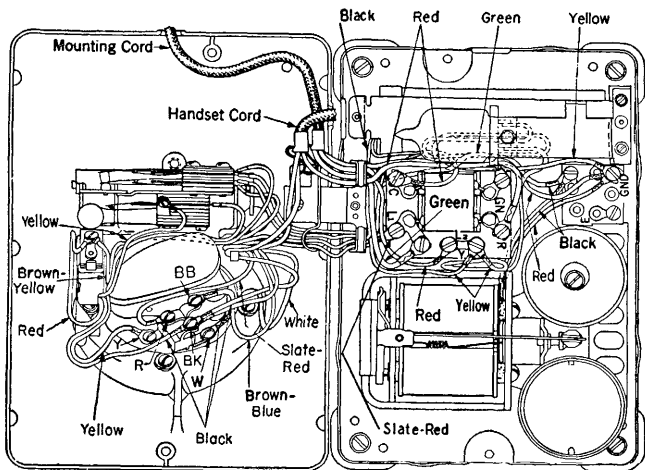


**Fig. 15—306B, 306C and 306D Telephone Sets**

(H5 Telephone Set Mounting with 372A Vacuum Tube Shown)

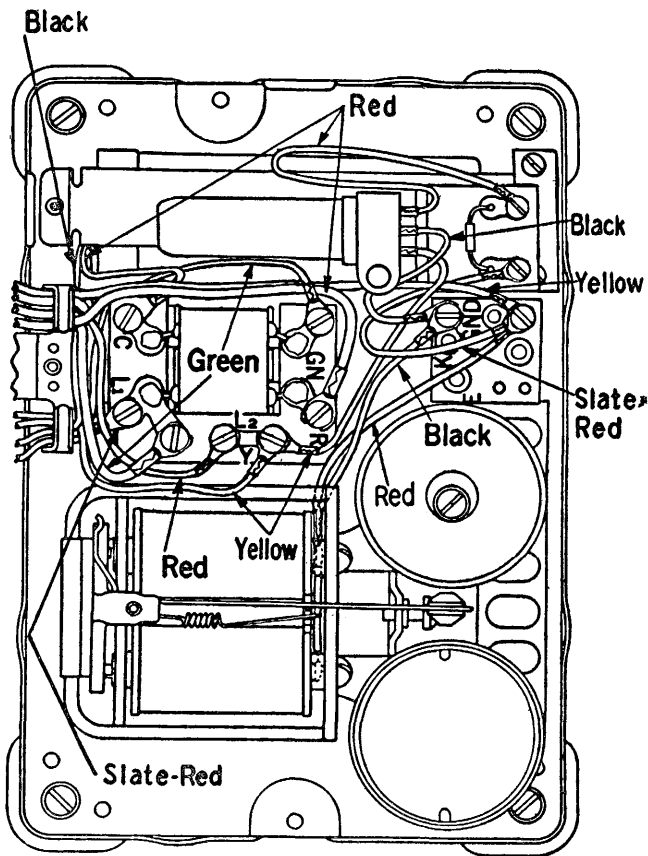
**Note:** See Fig. 14 for cording of housing.





**Fig. 16—306G Telephone Set**

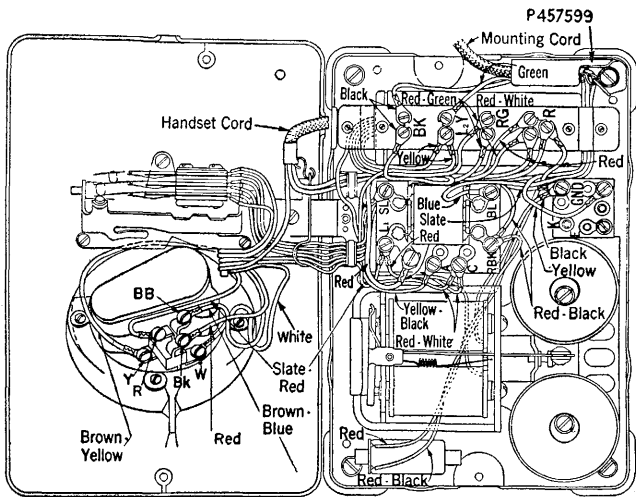
(H14 Telephone Set Mounting with 426A Vacuum Tube and 6-Type Dial Shown)



**Fig. 17—306G Telephone Set**

(H14 Telephone Set Mounting with 405A Vacuum Tube Shown)

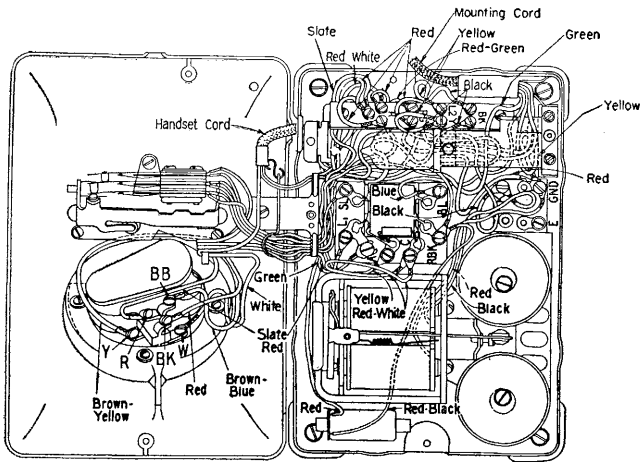
**Note:** See Fig. 16 for cording of housing.



**Fig. 18—307B, 307C, 307D, 307F, 307G and 307H Telephone Sets**

(H7 Telephone Set Mounting with 6-Type Dial Shown)

**Note:** The 307F, 307G and 307H telephone sets are corded as shown in Fig. 18 except that the red-white conductor shown running to terminal "R" is connected to terminal "E" and the green (fourth) handset conductor (not shown) is also connected to terminal "E". These conductors should be dressed running between the condenser and induction coil. Connecticut Telephone and Electric Company's handset should not be used with these sets.



**Fig. 19—309C Telephone Set**

(H12 Telephone Set Mounting with 426A Vacuum Tube and 6-Type Dial Shown)

**Note:** When 309 type sets are to be equipped with the four conductor F2B handset, the green (fourth) handset conductor of the handset and red-white lead from the switchhook shall be dressed running between the condenser and induction coil to terminal E.

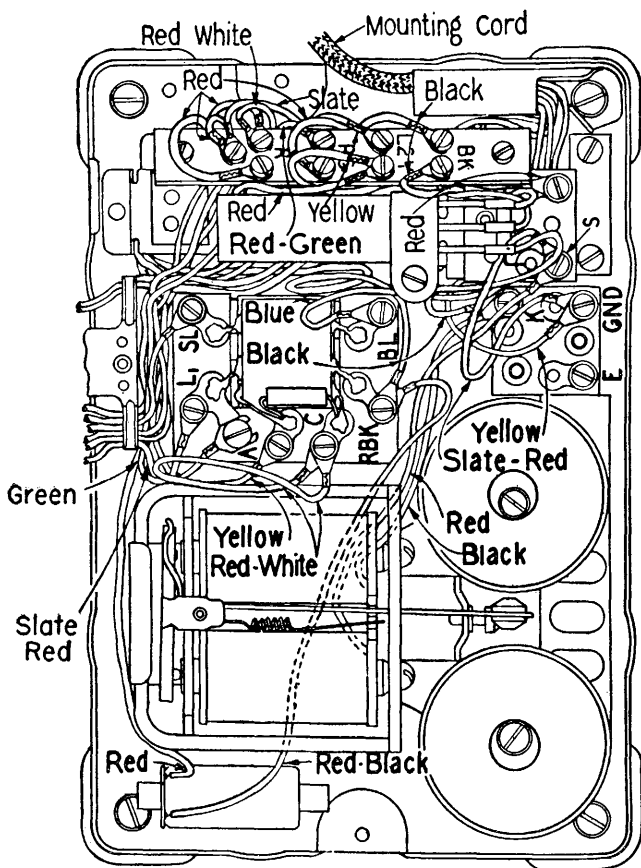
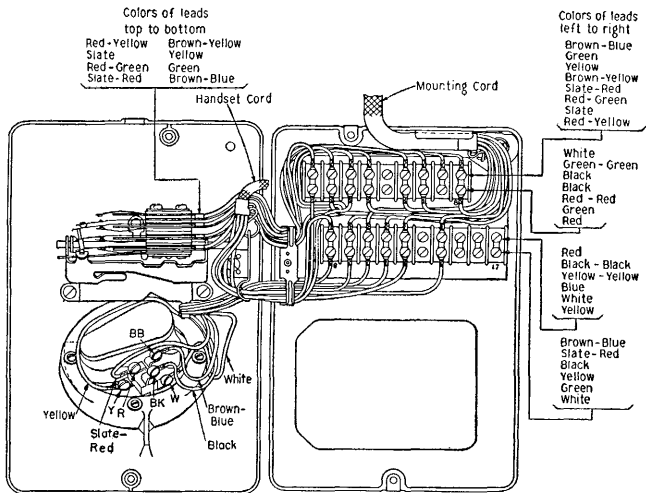


Fig. 20—309C Telephone Set

(H12 Telephone Set Mounting with 405A Vacuum Tube Shown)

**Note:** See Fig. 19 for cording of housing and note.



**Fig. 21—329C Telephone Set**

(Mounting Assembly P-339939 with 6-Type Dial Shown)