

35"CARDATA"\* TABLES (LEFT)  
(Edge-Punched Card Tables)

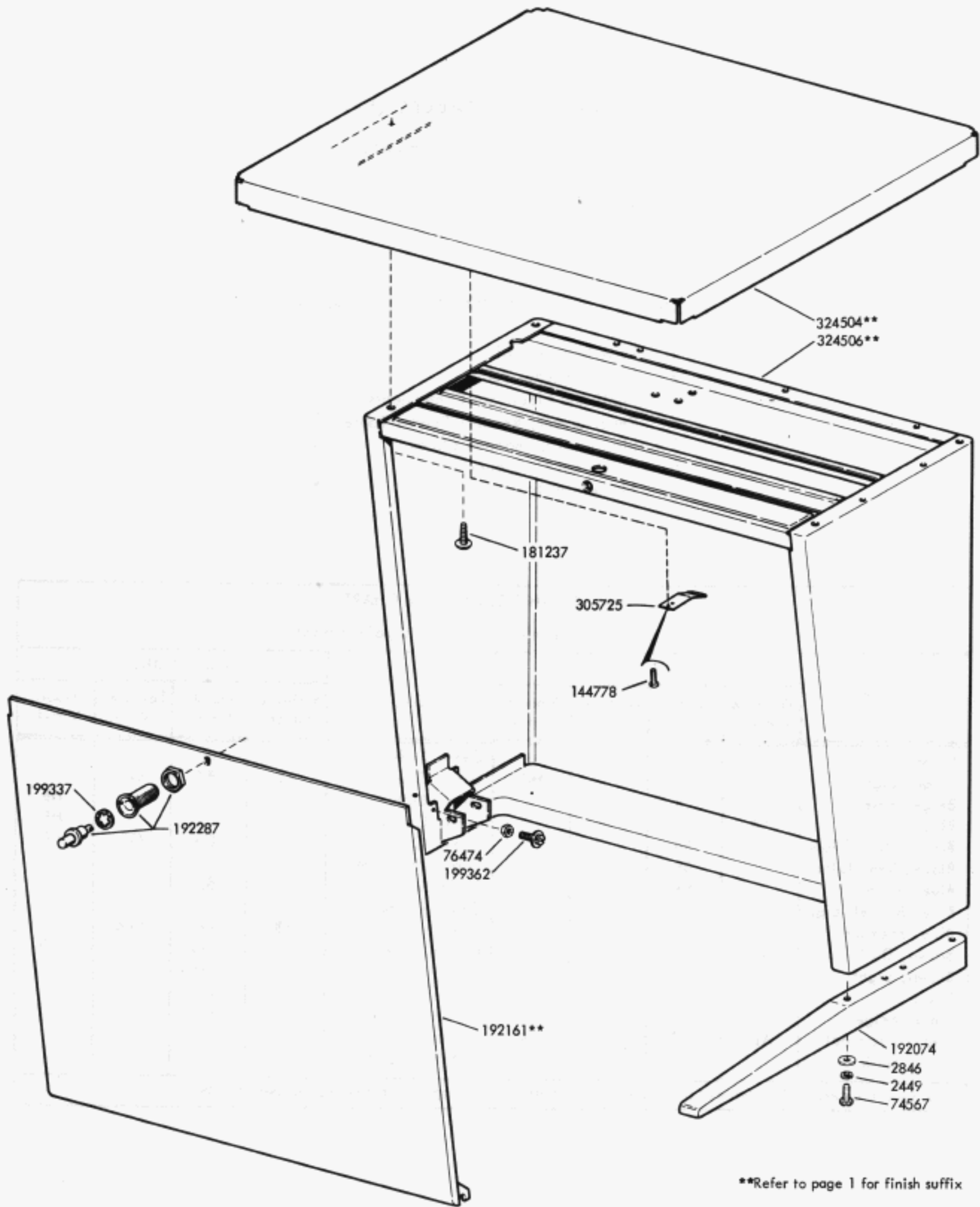
PARTS

FIGURE	CONTENTS	PAGE
1	Reperforator Table	2
2	Reader-Feeder Table	3
3	Shelf and Electrical Components	4
4	Reperforator, Reader- Feeder Table	5
5	Electrical Components Rack	6
6	Electrical Components	7
	Numerical Index	8

PAINT FINISH COLOR CODE CHART																		
(for parts and assemblies requiring a paint finish)																		
Color	Finish Suffixes				Color	Finish Suffixes												
	Wrinkle Finish	Smooth Finish	Textured Vinyl	Smooth Vinyl		Wrinkle Finish	Smooth Finish	Textured Vinyl	Smooth Vinyl									
Beige	AA	ET	GC	HC	Gray, Federal	AB	BV	GG	HB									
Beige, Light		EL			Gray, Green		BK	GA		HE								
Beige, Rose		ER			Gray, Light		EJ	HE										
Black		BA			BB		HG	Gray, Covert		AJ	BJ	GE	HF					
Black, High Gloss								Gray, Olive						EW	GF			
Black, Semi Gloss								Gray, Maritime Deck						AB	BK	GA	HD	
Blue, Aqua								Gray, Oxford										EP
Blue, Brussels Light								Green, Gray										EN
Blue, Medium								Green, Moss										EU
Brown, Dark								Ivory										EV
Brown, Light	Pink, Rose		EH															
Fawn	Turquoise		EG															
Gray, Beige	White																	
Gray, Charcoal	Yellow, Pastel																	
Gray, Dark	AL	BZ	HA															

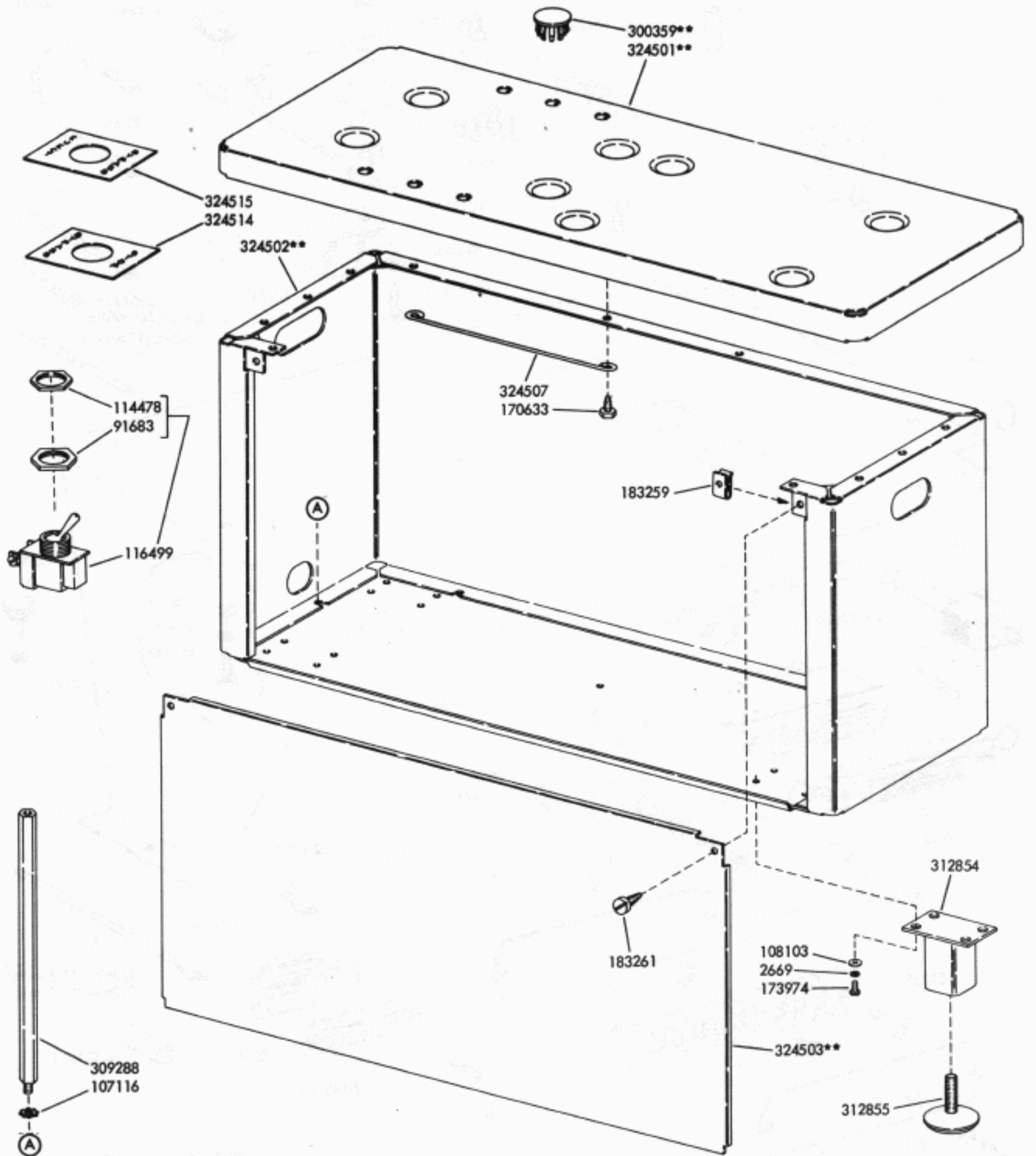
The double asterisk (\*\*) denotes a painted part. Suffix to be applied following the part number.

\*Trademark of Teletype Corporation.



\*\*Refer to page 1 for finish suffix

FIGURE 1. REPERFORATOR TABLE



\*\*Refer to page 1 for finish suffix

FIGURE 2. READER-FEEDER TABLE

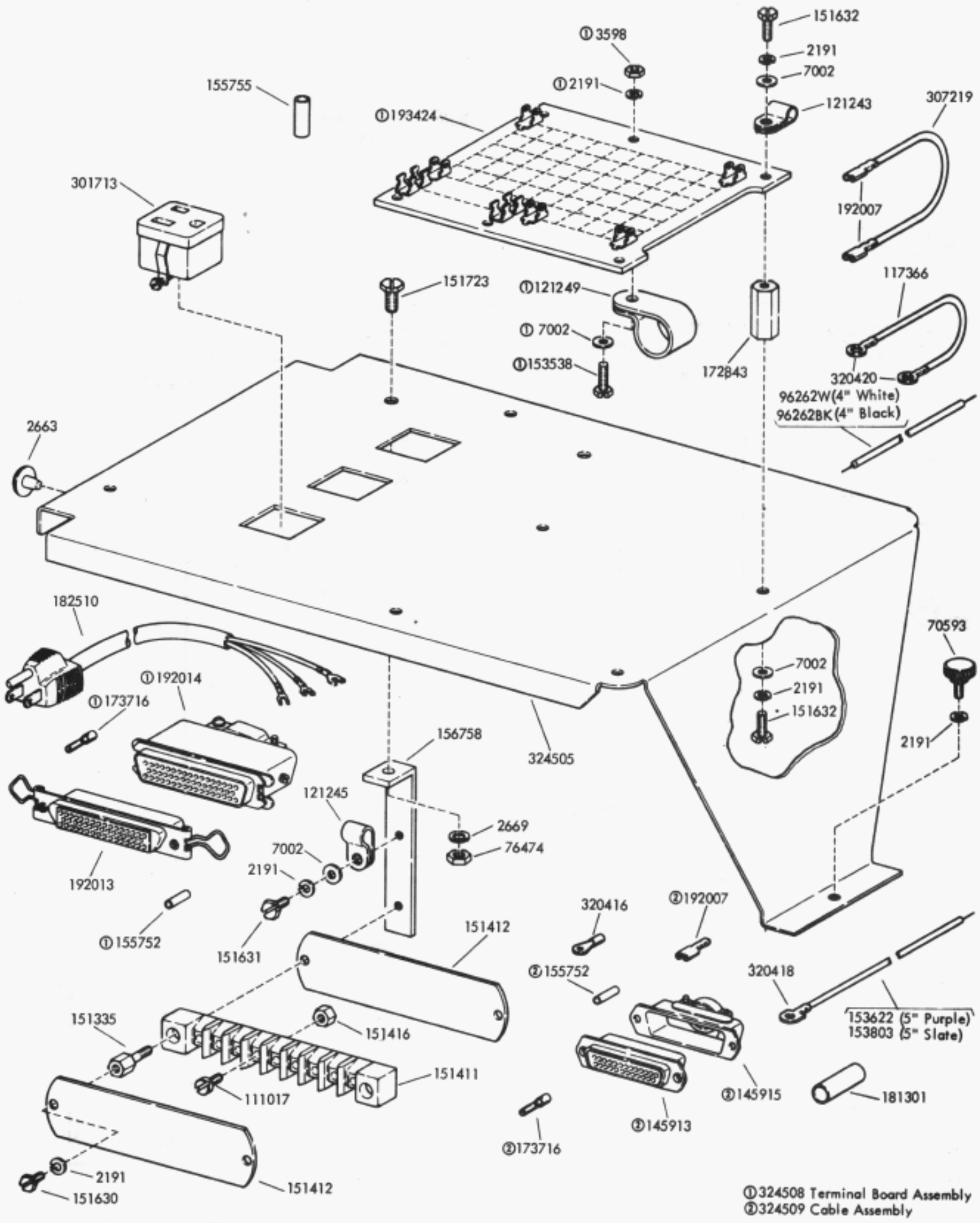


FIGURE 3. SHELF AND ELECTRICAL COMPONENTS

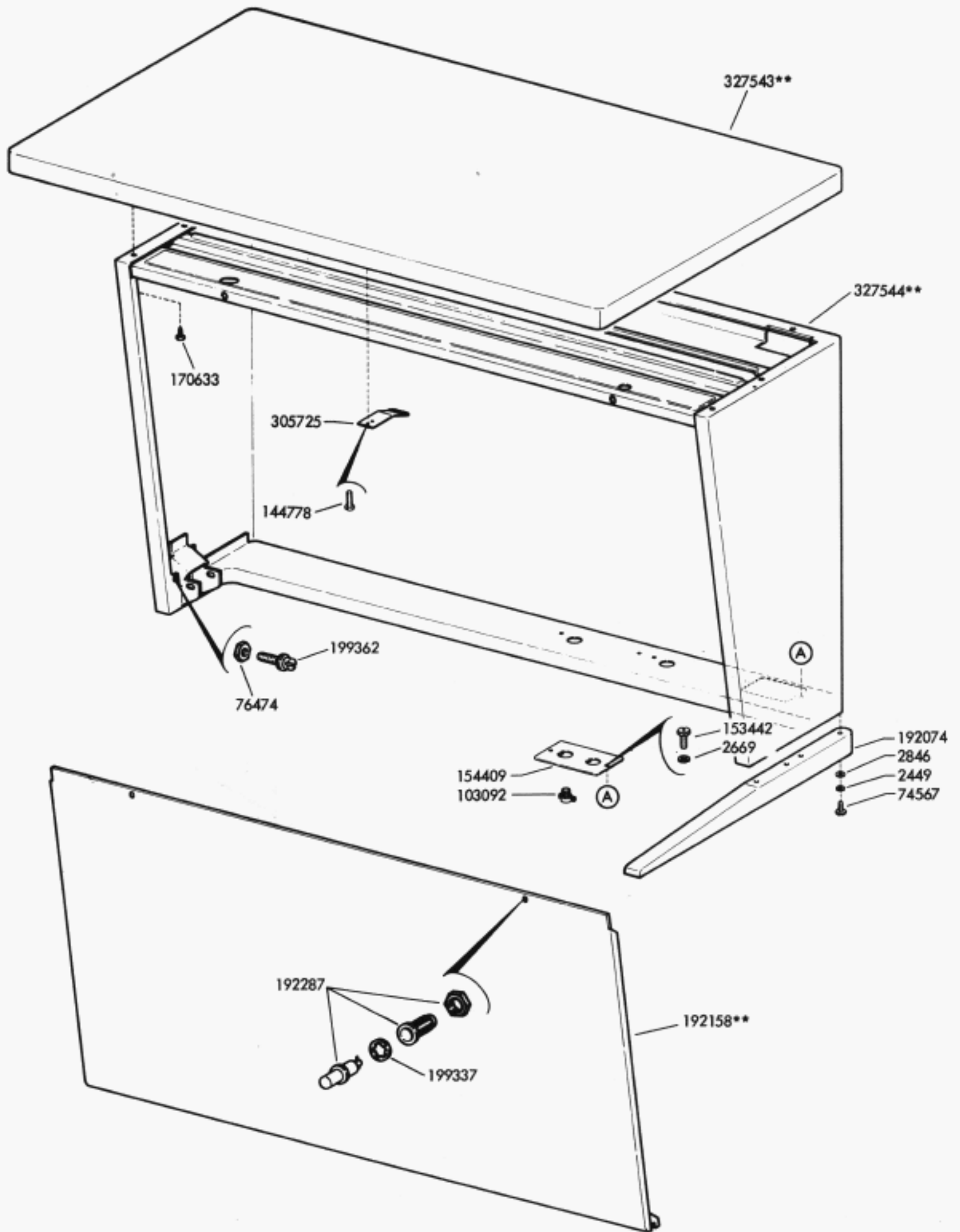
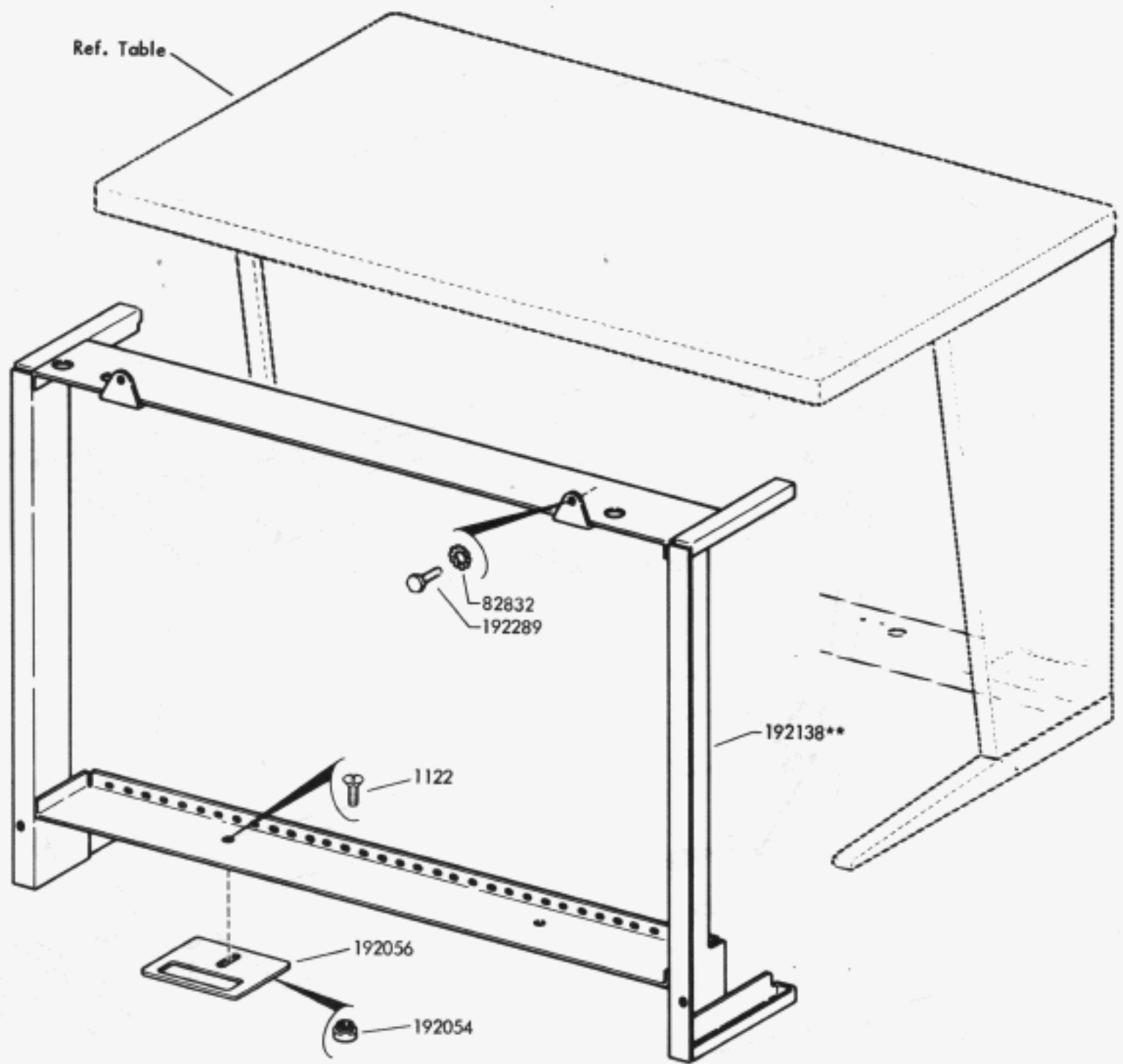


FIGURE 4. REPERFORATOR, READER-FEEDER TABLE



Part No.	Terminal	Length	Gage	Color
96262W		4"	18	White
96262BK		4"	18	Black
153622	320418	5"	18	Purple
153803	320418	5"	18	Slate
173168	320418	4-1/2"	18	Black
333224	320418	14	18	White
	192007			
333225	320418	14	18	Black
	192007			
333226	320418	14	18	Green
	192007			
333227	320418	14	18	Red
	192007			
333267	320418	24"	18	Green

192007



320418



FIGURE 5. ELECTRICAL COMPONENTS RACK

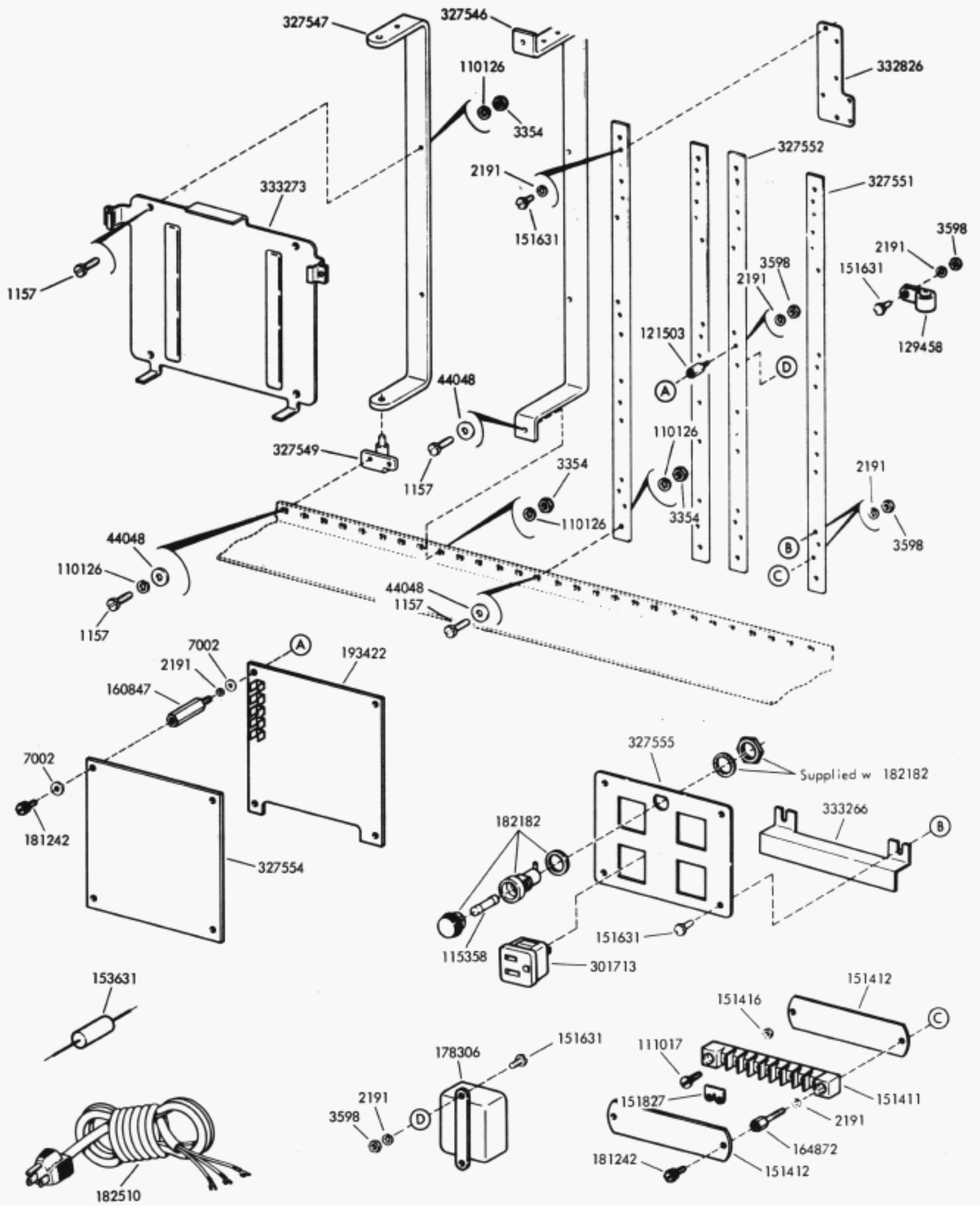


FIGURE 6. ELECTRICAL COMPONENTS

## NUMERICAL INDEX

Part Number	Description and Page Number	Part Number	Description and Page Number	Part Number	Description and Page Number
1122	Screw, 8-32 x 9/32 Flat 6	151632	Screw, 6-40 x 3/8 Hex 4	193422	Board, Terminal 7
1157	Screw, 8-32 x 1/2 Fil 7	151723	Screw, 10-32 x 3/8 Hex 4	193424	Board, Terminal 4
2191	Washer, Lock 4,7	151827	Strap, Terminal 7	199337	Retainer 2,5
2449	Washer, Lock 2,5	153442	Screw, 10-32 x 1/2 Hex 5	199362	Post, Pivot 2,5
2663	Bumper, Rubber 4	153538	Screw, 6-40 x 7/16 Hex 4	300359**	Button, Plug 3
2669	Washer, Lock 3,4,5	153622	Jumper, 5" Purple 4,6	301713	Connector, 2 Pt Receptacle Type 4,7
2846	Washer, Flat 2,5	153631	Network, Spark Suppression 7	305725	Spring, Stop 2,5
3354	Nut, 8-32 Hex 7	153803	Jumper, 5" Slate 4,6	307219	Jumper, 6" Black 4
3598	Nut, 6-40 Hex 4,7	154409	Plate 5	309288	Post, 4-31/32" Lg 3
7002	Washer, Flat 4,7	155752	Sleeve, 5/64 ID x 1/2" Lg Insulating 4	312854	Leg 3
44048	Washer, Flat 7	155755	Sleeve, 11/64 ID x 5/8" Lg Insulating 4	312855	Foot, Mounting 3
70593	Screw, 6-40 Thumb 4	156758	Bracket 4	320416	Terminal, Ring Type 4
74567	Screw, 1/4-20 x 33/64 Hex 2,5	160847	Stud 7	320418	Terminal, Ring Type 4,6
76474	Nut, 10-32 Hex 2,4,5	164872	Stud 7	320420	Terminal, Ring Type 4
82832	Washer, Lock 6	170633	Screw, 1/4-14 Spl 3,5	324501**	Cover, Pedestal 3
91683	Nut, 15/32-32 Hex 3	172843	Post 4	324502**	Pedestal 3
96262BK	Jumper, 4" Black 4,6	173168	Jumper, 4-1/2" Black 6	324503**	Panel, Rear 3
96262W	Jumper, 4" White 4,6	173716	Terminal, Receptacle Type 4	324504**	Cover, Pedestal 2
103092	Connector, Cord 5	173974	Screw, 10-32 x 5/16 Hex 3	324505	Shelf 4
107116	Washer, Lock 3	178306	Relay, Power 7	324506**	Pedestal w/Nut 2
108103	Washer, Flat 3	181237	Screw, 1/4-14 Self-Tapping 2	324507	Strap 3
110126	Washer, Lock 7	181242	Screw w/Lockwasher, 6-40 x 5/16 Hex 7	324508	Board Assembly, Terminal 4
111017	Screw, 6-40 x 5/16 Fil 4,7	181301	Sleeve, 15/64 ID x 1" Lg Insulating 4	324509	Cable Assembly 4
114478	Nut, 15/32-32 Hex 3	182182	Holder, Fuse 7	324514	Decalcomania 3
115358	Fuse, 1 Amp 7	182510	Cord, Power 4,7	324515	Decalcomania 3
116499	Switch, Toggle 3	183259	Nut, Speed 3	327543**	Cover, Pedestal 5
117366	Jumper, 8-1/2" Green 4	183261	Screw, #8 Self-Tapping 3	327544**	Pedestal 5
121243	Clamp, 3/16 ID Cable 4	192007	Terminal, Tab Type 4,6	327546	Bracket 7
121245	Clamp, 5/16 ID Cable 4	192013	Connector, 50 Pt Plug Type 4	327547	Bracket, Pivot Mounting 7
121249	Clamp, 5/8 ID Cable 4	192014	Connector, 50 Pt Receptacle Type 4	327549	Bracket w/Post 7
121503	Post 7	192054	Nut, 8-32 Shoulder 6	327551	Rail, Right 7
129458	Clamp, Cable 7	192056	Handle 6	327552	Rail, Left 7
144778	Screw, #6 Self-Tapping 2,5	192074	Foot w/Nut 2,5	327554	Cover, Terminal Board 7
145913	Connector, 25 Pt Receptacle Type 4	192138**	Rack, Mounting 6	327555	Plate 7
145915	Clamp, Cable 4	192158**	Panel 5	332826	Plate 7
151335	Stud 4	192161**	Panel 2	333224	Jumper, 14" White 6
151411	Block, Terminal 4,7	192287	Fastener, Pushbutton 2,5	333225	Jumper, 14" Black 6
151412	Insulator, Terminal Block 4,7	192289	Screw, 1/4-14 Self-Tapping 6	333226	Jumper, 14" Green 6
151416	Nut, 6-40 Hex 4,7			333227	Jumper, 14" Red 6
151630	Screw, 6-40 x 1/4 Hex 4			333266	Insulator, Terminal Block 7
151631	Screw, 6-40 x 5/16 Hex 4,7			333267	Jumper, 24" Green 6
				333273	Backboard 7

\*\*Refer to page 1 for finish suffix