

32 TYPING UNIT

LUBRICATION

CONTENTS	PAGE	CONTENTS	PAGE
1. GENERAL	1	Stripper drive lever	9
2. BASIC UNITS	3	Trip lever	8
		Trip shaft	4
		Typewheel mechanism	16
COMMON MECHANISMS	3		
Armature	18	FRICITION FEED MECHANISMS	20
Automatic codebar	9	Line feed mechanism	21
Blocking levers	18	Paper feed area	20
Carriage area	13	Platen	20
Carriage rear rail	17		
Carriage return and spacing levers . .	12	SPROCKET FEED MECHANISMS	21
Codebars	9	Cam, pulley, and gear combination . .	23
Codebar clutch	4	Form-out mechanism	24
Dashpot	14	Line feed clutch	25
Disc and brushes	7	Paper feed area	21
Distributor area	6	Platen mechanism	22
Drive arm	15	Platen drive area	23
Drive mechanism	11		
Function area	8	3. VARIATIONS TO BASIC UNITS	25
Function clutch	3	Answer-back area	25
Function levers	9	Answer-back mechanism	26
Function rocker shaft	6	Trip magnet	26
Function shaft area	5		
Intermediate gears	5	1. GENERAL	
Latchlever	7		
Latchlever and trip lever	19	1.01 This section provides lubrication re-	
Main shaft area	3	quirements for the 32 typing unit. It is	
Motor area	5	reissued to include engineering changes. Mar-	
Print hammer	15	ginal arrows indicate changes.	
Pushlevers and stripper bail	18		
Reset arm	15	1.02 The general lubrication areas are illus-	
Reset bail	10	trated by photographs. The specific	
Ribbon guide spring	17	points to receive lubricant are indicated on line	
Ribbon mechanism	16	drawings with appropriate textual instructions.	
Rocker and pawls	10	Line drawings and textual instructions follow	
Selector area	17	each photograph and are keyed to the photograph	
Selector clutch	19	by paragraph numbers.	
Selector levers	19		
Slides	14	1.03 Thoroughly lubricate the typing unit, but	
Slide guideplates	14	avoid overlubrication that might permit	
Spacing area	11	the lubricant to drip or be thrown onto adjacent	
Space bellcrank	11	parts. Saturate all felt washers and oilers with	
Spacing mechanism - 1	12	oil, and apply oil to each end of all bearings.	
Spacing mechanism - 2	13		
Stop bail	7		

1.04 Lubricate printer before placing it in storage, or before placing it in service if it had been stored six months or longer. Thereafter, relubricate printer at the following intervals:

LUBRICATION INTERVAL
(Based on 5-day Week)

Daily Operation of Printer			
Speed (wpm)	0-8 hrs	8-16 hrs	16-24 hrs
60	39 wks	26 wks	13 wks
66	39 wks	26 wks	13 wks
75	39 wks	26 wks	13 wks
100	26 wks	13 wks	6 wks

Note 1: Reduce lubricating intervals 15% for a 6-day week, and 30% for a 7-day week.

Note 2: Units with serial nos. below 144,000, reduce lubricating intervals 33%. Units with serial nos. above 144,000, use above chart.

1.05 On occasion when the printer is disassembled, apply a coat of thoroughly mixed 50 percent KS7470 oil and 50 percent KS7471 grease at places indicated below.

- Selector Cam Surfaces (2.44)
- Spacing Gear Teeth (2.23)
- Codebar Pivot Shaft (2.17 and 2.18)
- Eccentric Cams (2.02 and 2.04)
- Stop Bail Adjusting Tab (2.11)
- Platen Shaft Bearings-Sprocket Feed Units only (2.49)
- Distributor Shaft Cam Roller (Early Design) or Stud (Late Design) (2.13)
- H-Lever (2.13)

Note 1: On occasion when the clutch is disassembled, lubricate the Internal Clutch Assemblies (2.02, 2.04, 2.10, 2.44, and 2.53 on Form Feed Mechanisms only) as follows: Apply a thin coat of KS7471 grease at the loops of the clutch shoe lever spring, and lubricate the internal mechanism of the clutch with KS7470 oil.

Note 2: At regular lubrication intervals lubricate the clutch mechanism with KS-7470 oil only.

1.06 The textual instructions that accompany the line drawings consist of abbreviated directions, specific lubrication points, and parts affected. The meanings of the abbreviated directions (symbols) follow.

<u>Symbol</u>	<u>Meaning</u>
D	Keep dry — no lubricant permitted.
G	Apply thin coat of grease (KS7471).
O	Oil (KS7470).

1.07 References to left, right, front, or rear, etc, consider the typing unit to be viewed from a position where the carriage area faces up and the selector area is located to the viewer's left.

CAUTION: DO NOT USE ALCOHOL, MINERAL SPIRITS, OR OTHER SOLVENTS TO CLEAN PLASTIC PARTS OR PARTS WITH PROTECTIVE-DECORATIVE FINISHES. A SOFT, DRY CLOTH SHOULD BE USED TO REMOVE DUST, OIL, GREASE, OR OTHERWISE CLEAN PARTS OR SUBASSEMBLIES. IF NECESSARY, A SOFT CLOTH DAMPENED WITH SOAP OR MILD DETERGENT MAY BE USED. RINSE EACH CLEANED PART OR SUBASSEMBLY WITH SOFT, DAMP CLOTH AND BUFF WITH A SOFT, DRY CLOTH.

1.08 Tools and materials needed for teletypewriter lubrication are listed in Section 570-005-800TC.

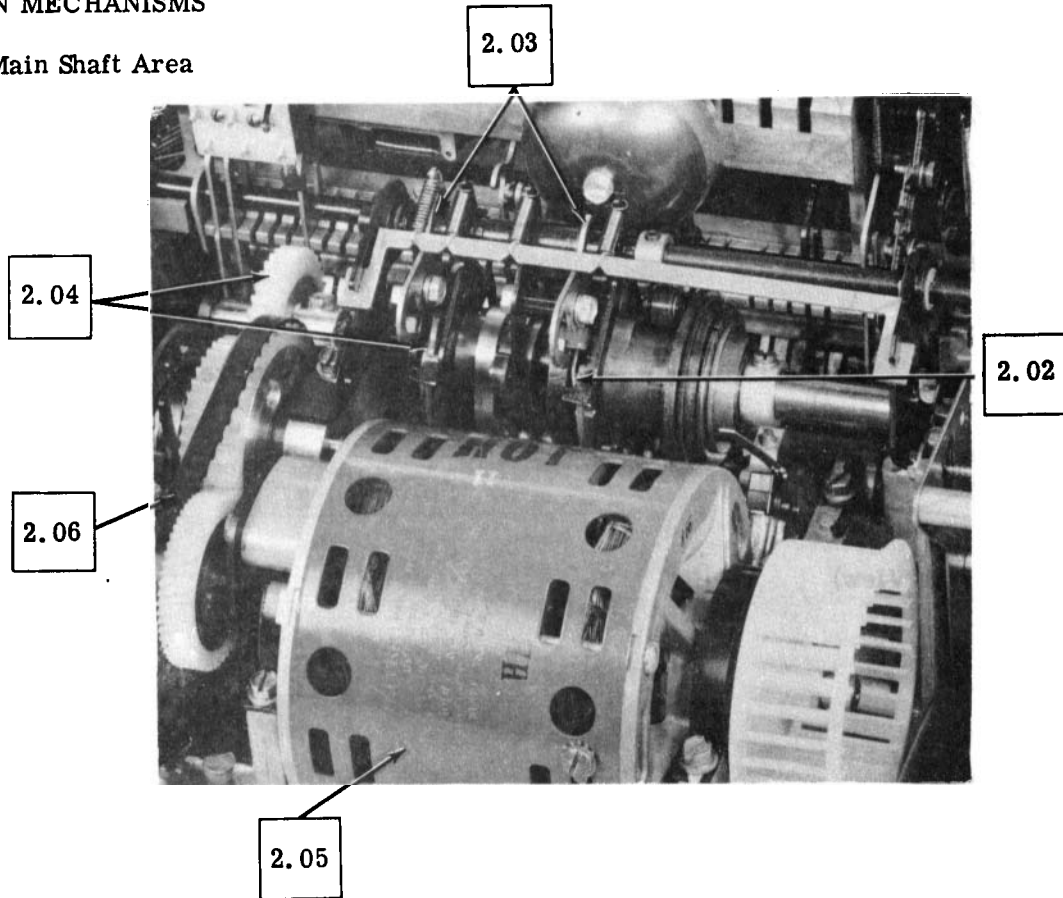
1.09 For disassembly and reassembly information, refer to Section 574-172-702TC.

CAUTION: ALL ELECTRICAL POWER MUST BE REMOVED FROM UNIT BEFORE LUBRICATING OR REMOVING COMPONENTS FOR LUBRICATION.

2. BASIC UNITS

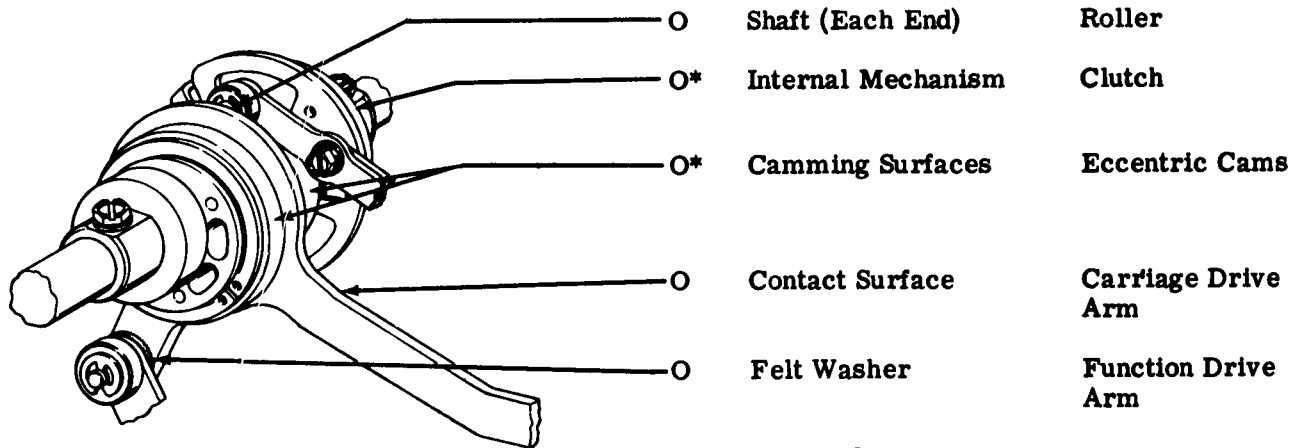
COMMON MECHANISMS

2.01 Main Shaft Area



(Rear View)

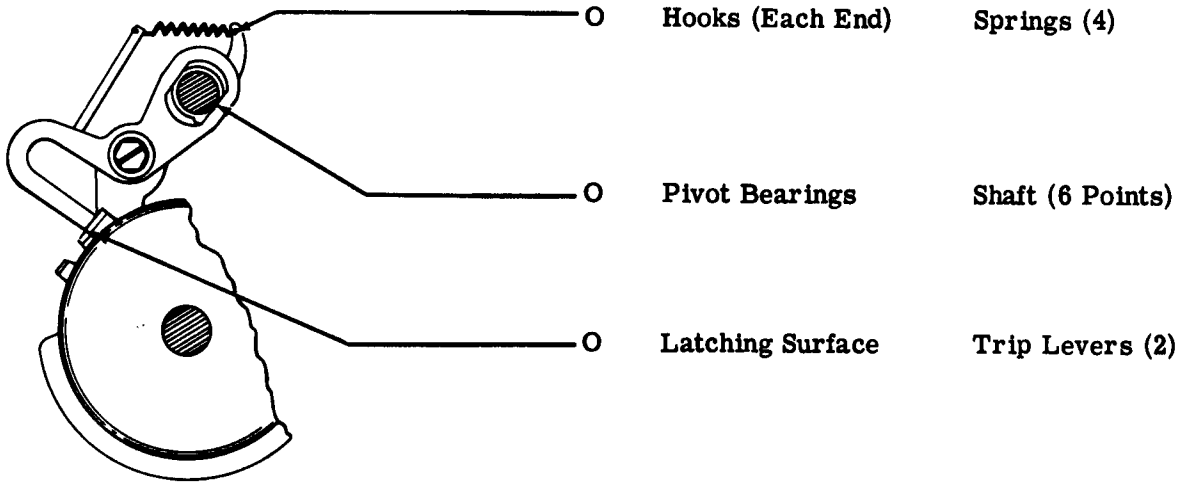
2.02 Function Clutch



*Refer to 1.06.

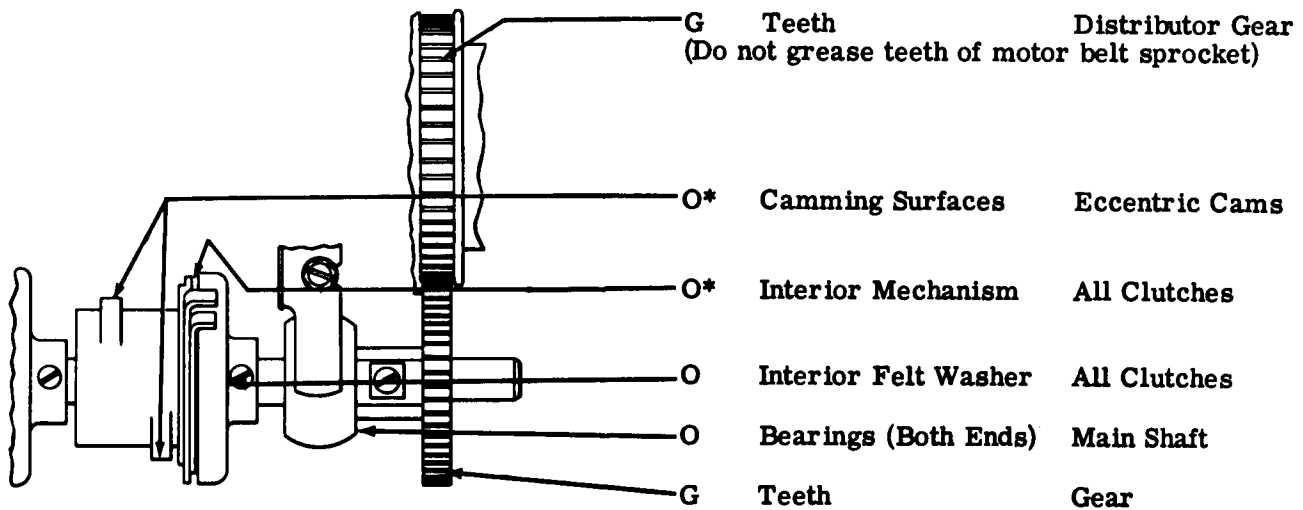
(Left Front View)

2.03 Trip Shaft



(Left Side View)

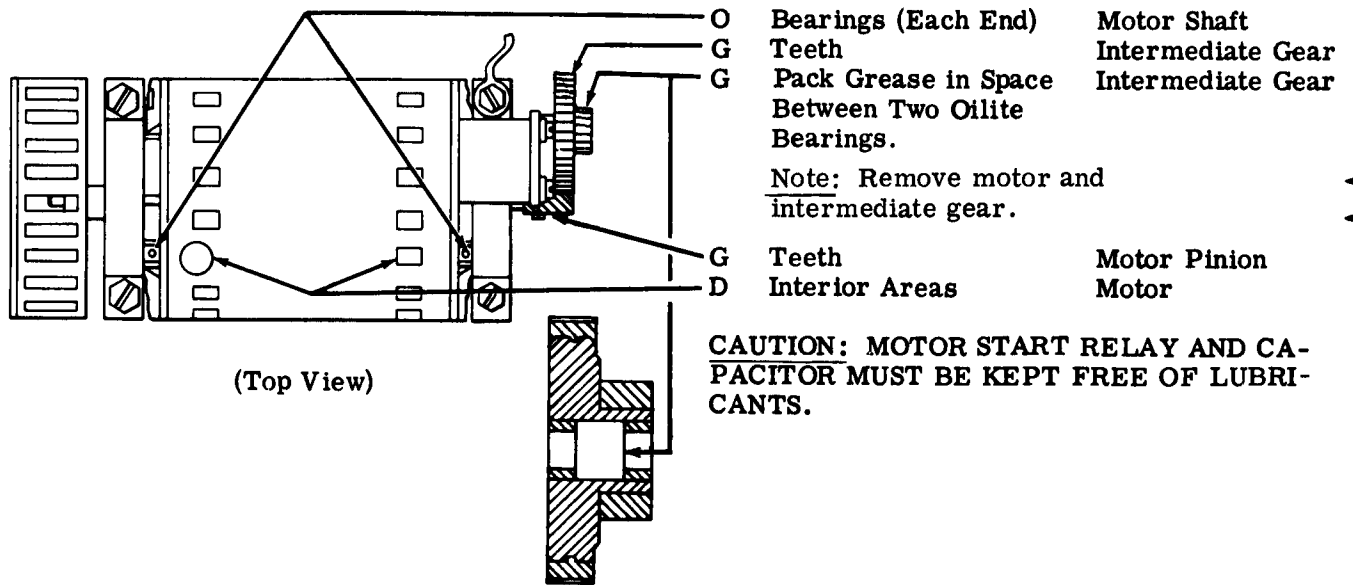
2.04 Codebar Clutch



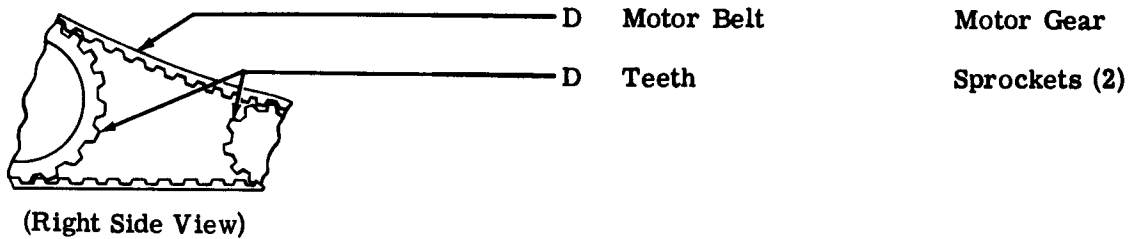
(Top View)

*Refer to 1.06.

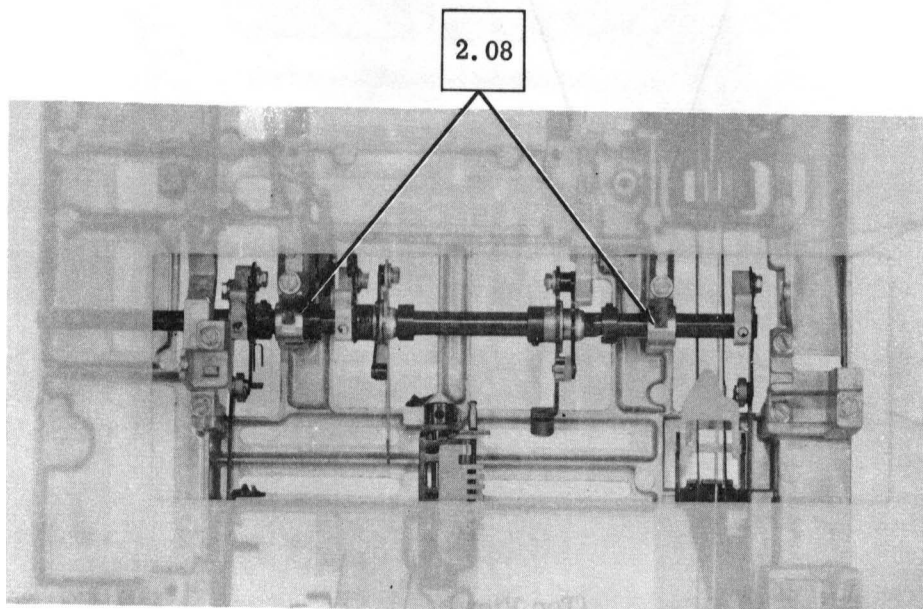
2.05 Motor Area



2.06 Intermediate Gears



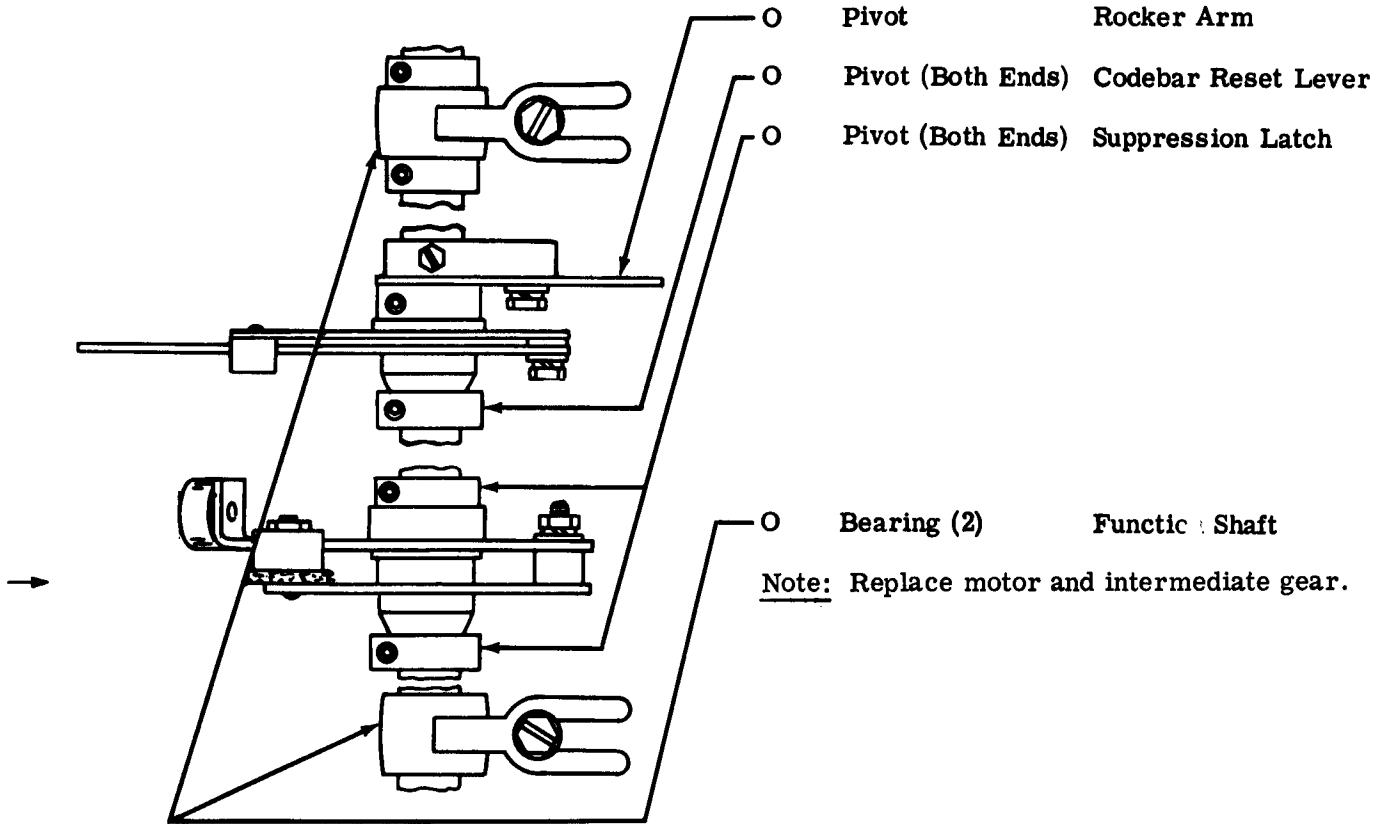
2.07 Function Shaft Area



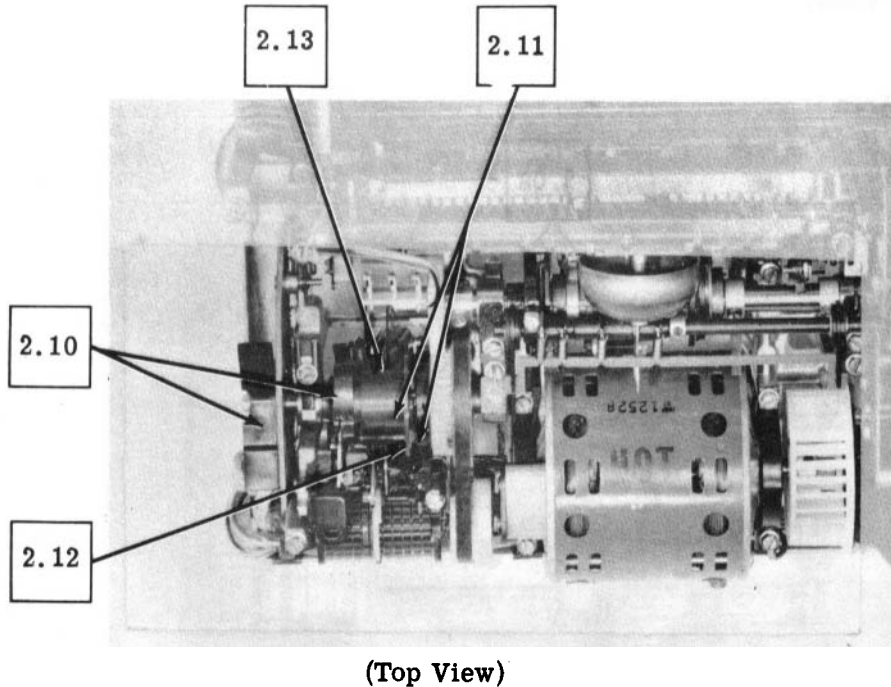
(Top View)

(Typing unit disassembled for illustration only.)

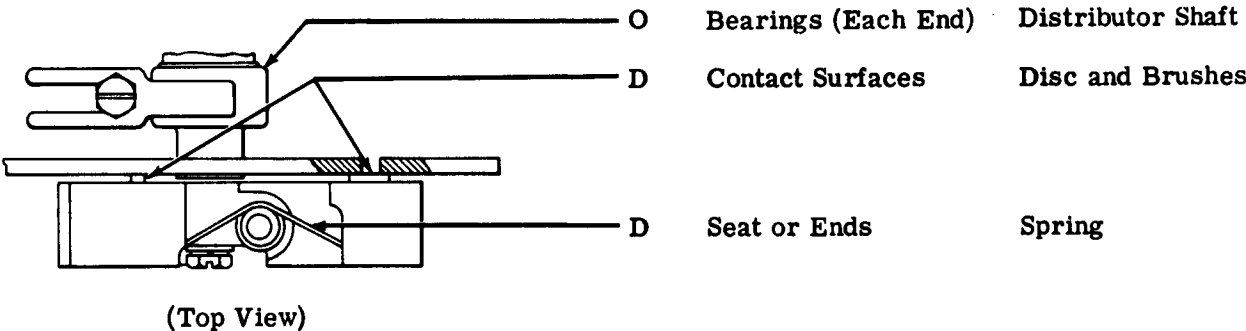
2.08 Function Rocker Shaft



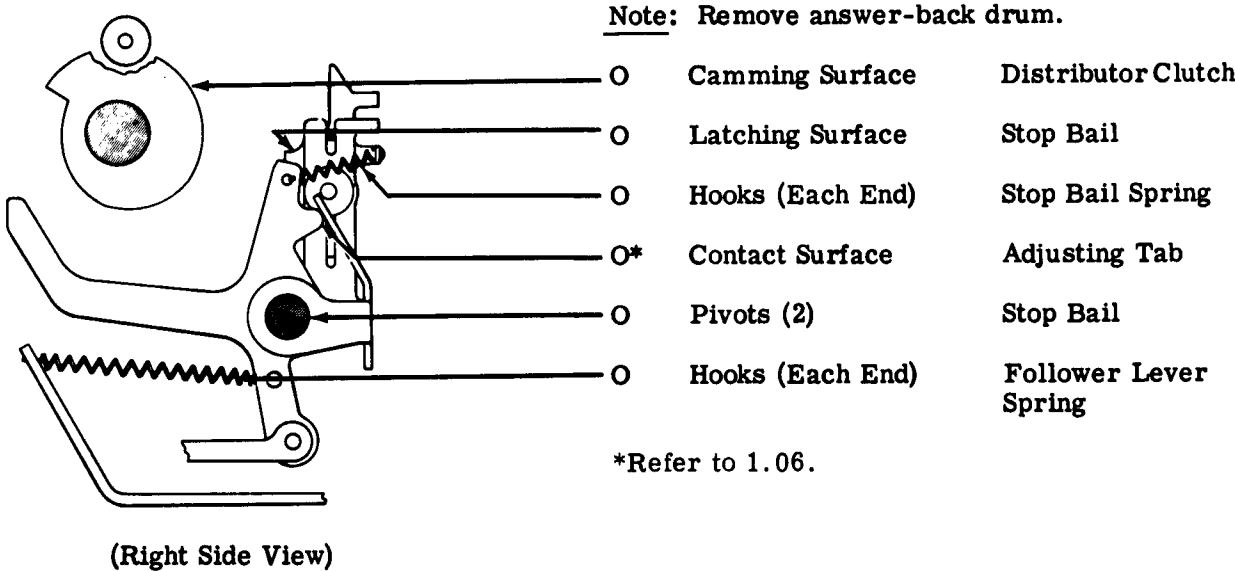
2.09 Distributor Area



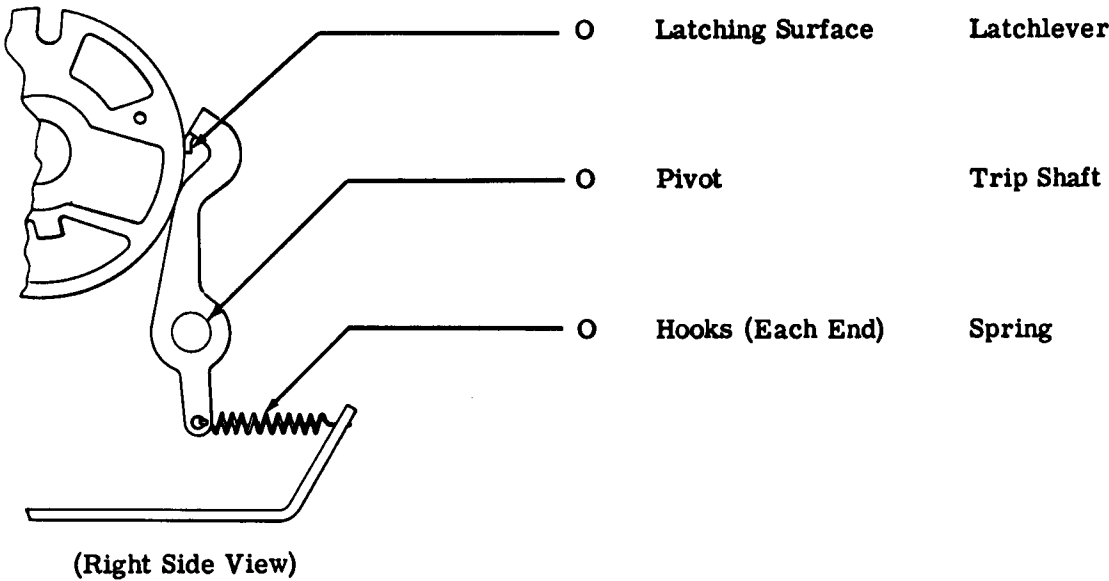
2.10 Disc and Brushes



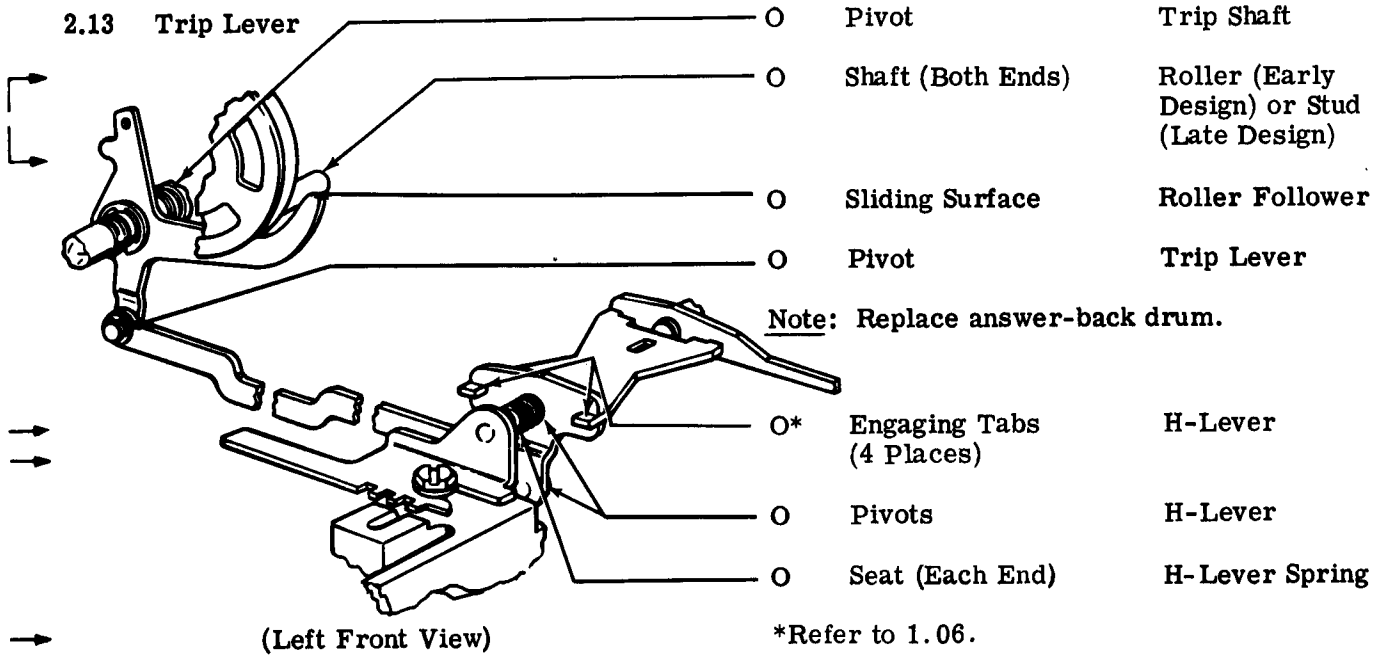
2.11 Stop Bail



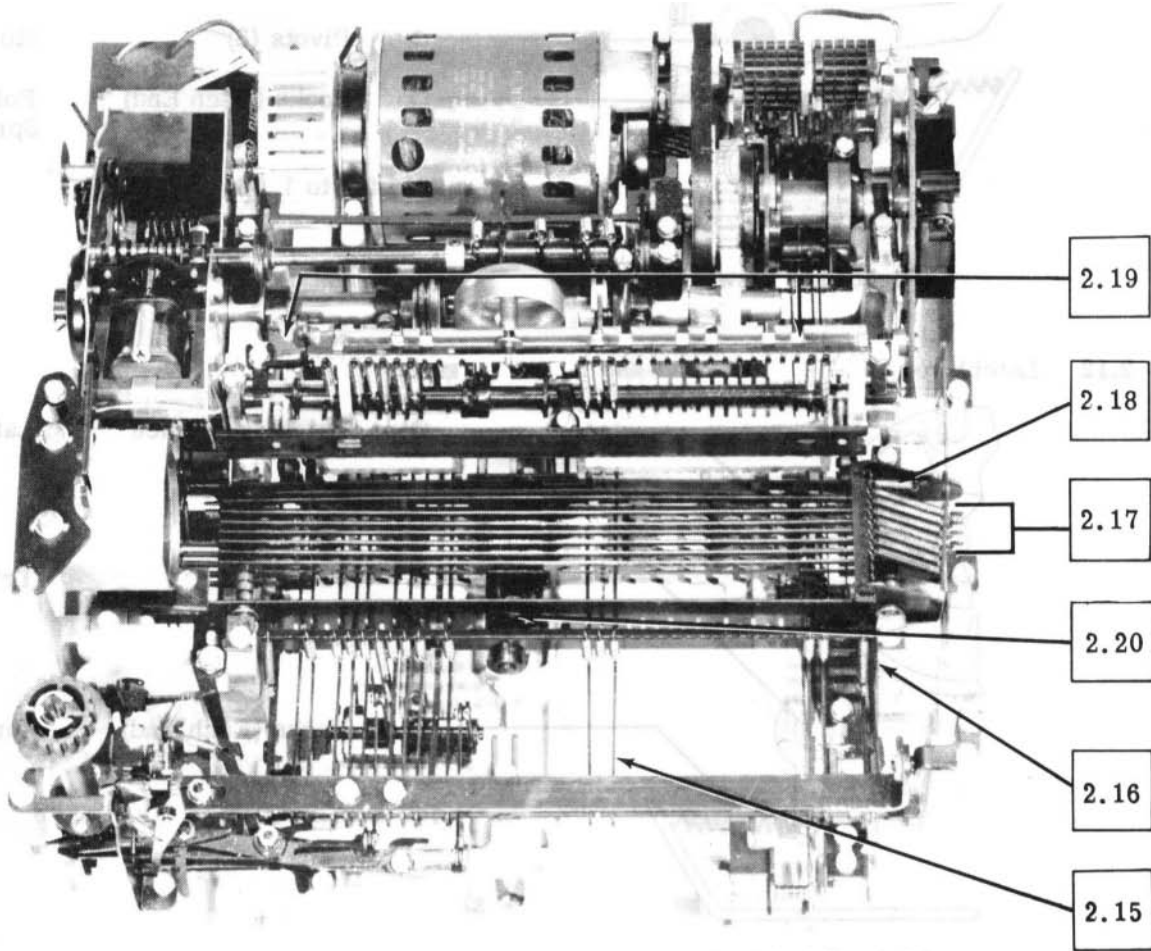
2.12 Latchlever



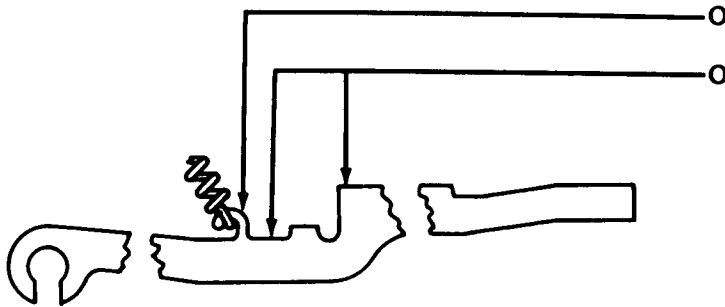
SECTION 574-172-701TC



2.14 Function Area



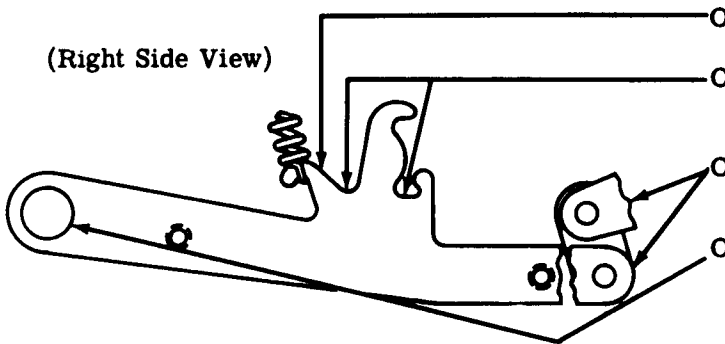
2.15 Function Levers



(Right Side View)

- O Hooks (Each End)
- O Engaging Surfaces
- Spring
- Function Levers

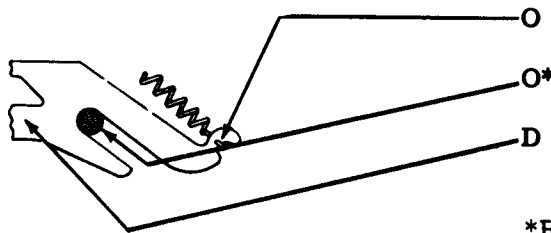
2.16 Stripper Drive Lever



(Right Side View)

- O Hooks (Each End)
- O Engaging Surfaces
- O Pivots
- O Felt Washers (2)
(Each End of Shaft)
- Spring
- Stripper Drive Lever
- Stripper Drive Link
- Front Function Shaft

2.17 Codebars

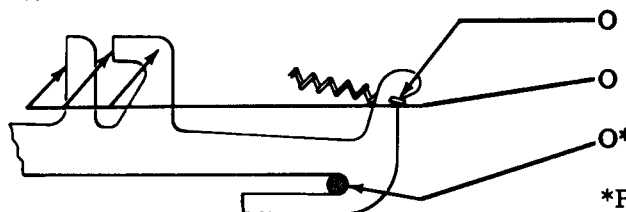


(Front View)

- O Hooks (Each End)
- O* Pivot
- D Area Between Codebars
- Spring
- Shaft

*Refer to 1.06.

2.18 Automatic Codebar

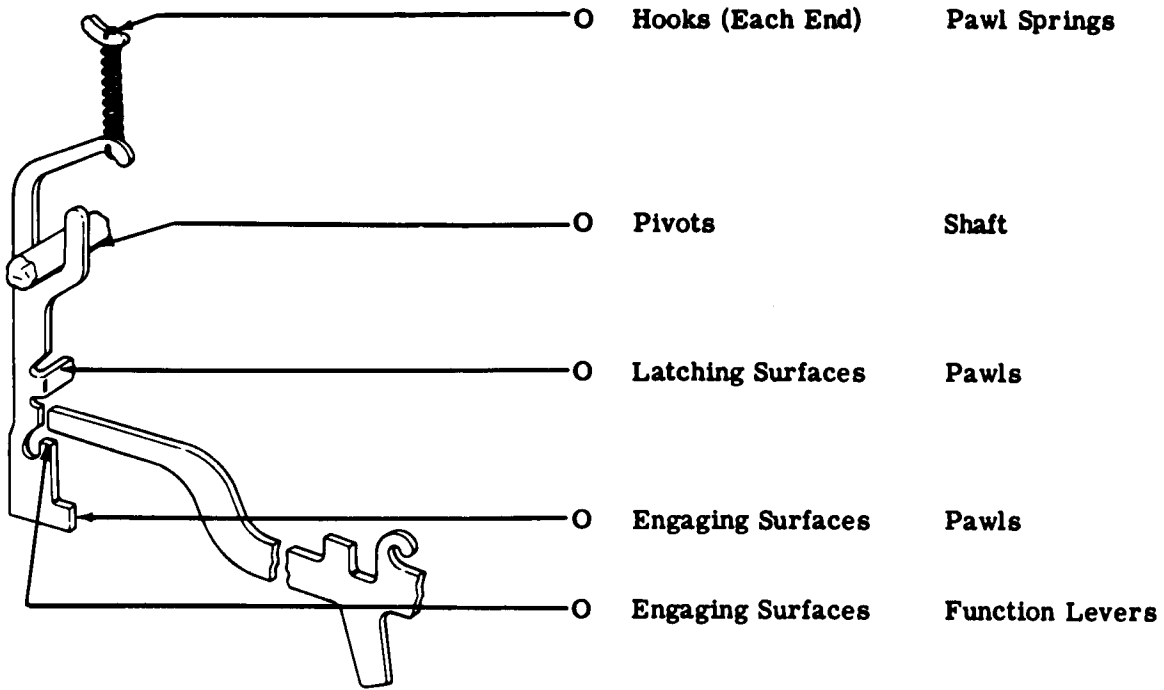


(Front View)

- O Hooks (Each End)
- O Blocking Contact
- O* Pivot
- Spring
- Tab (1 of 3)
- Shaft

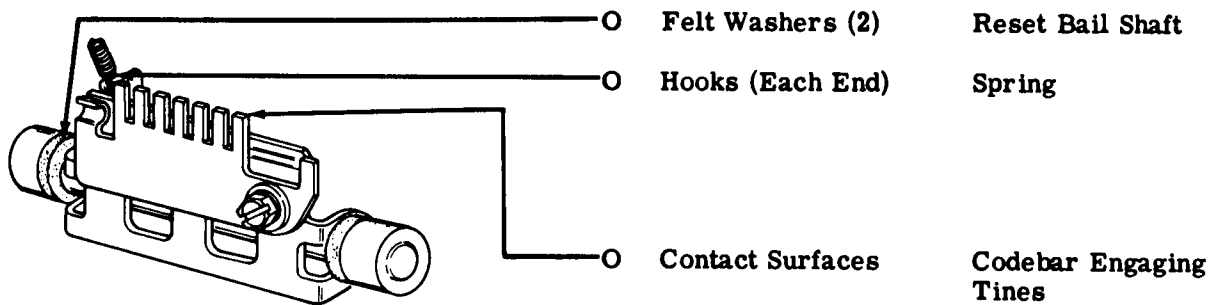
*Refer to 1.06.

2.19 Rocker and Pawls



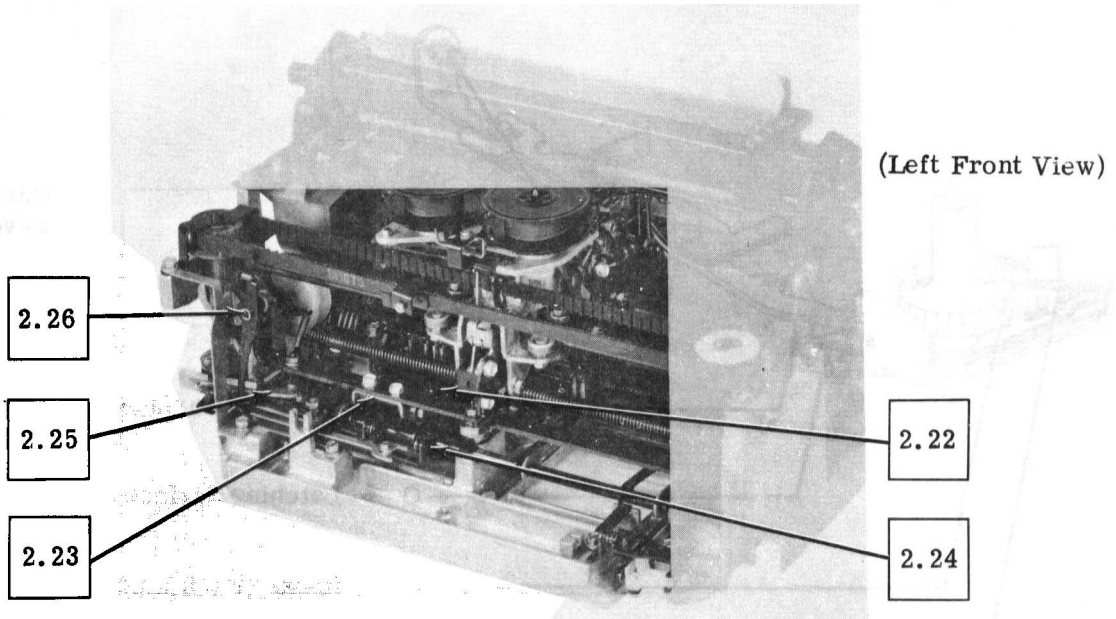
(Left Front View)

2.20 Reset Bail

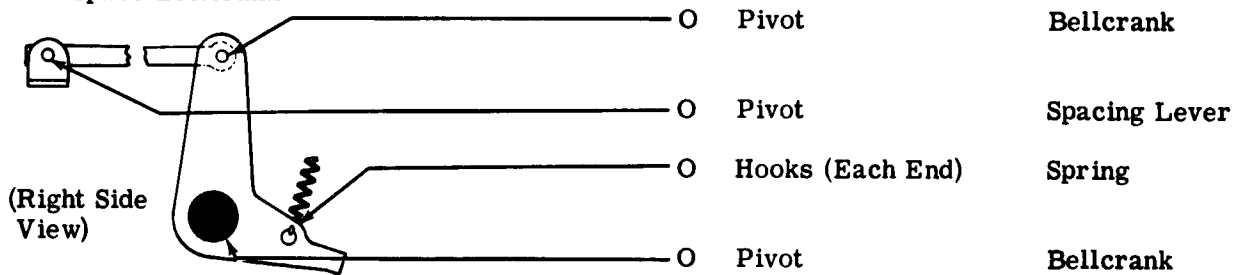


(Left Front View)

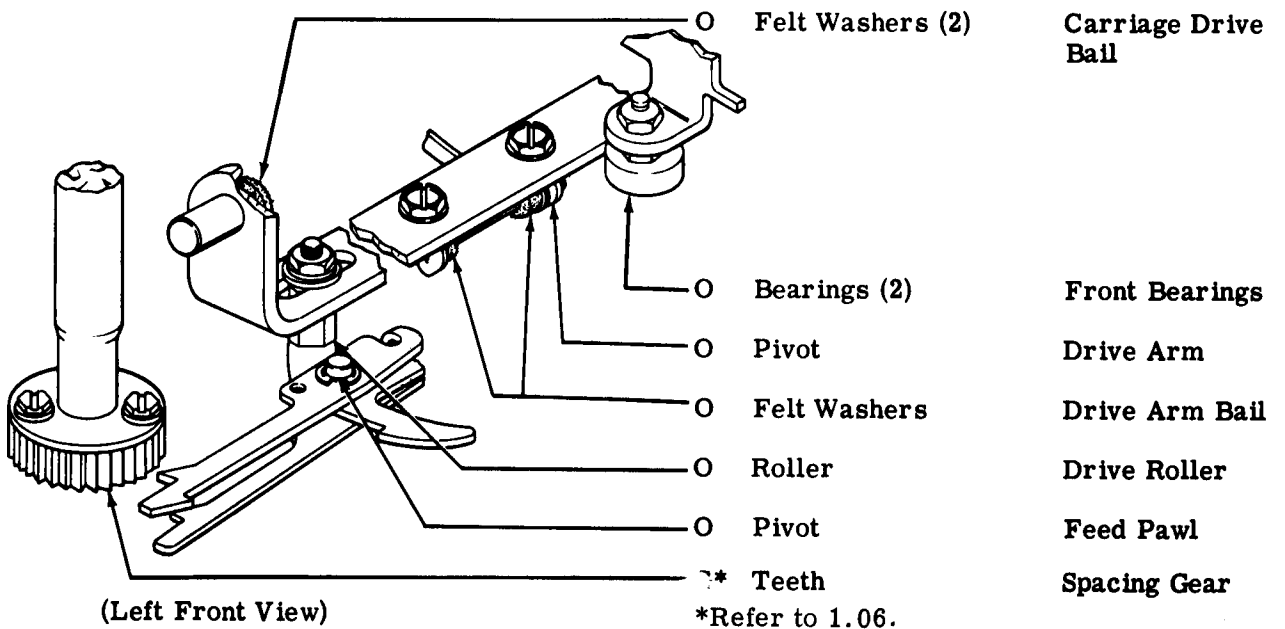
2.21 Spacing Area



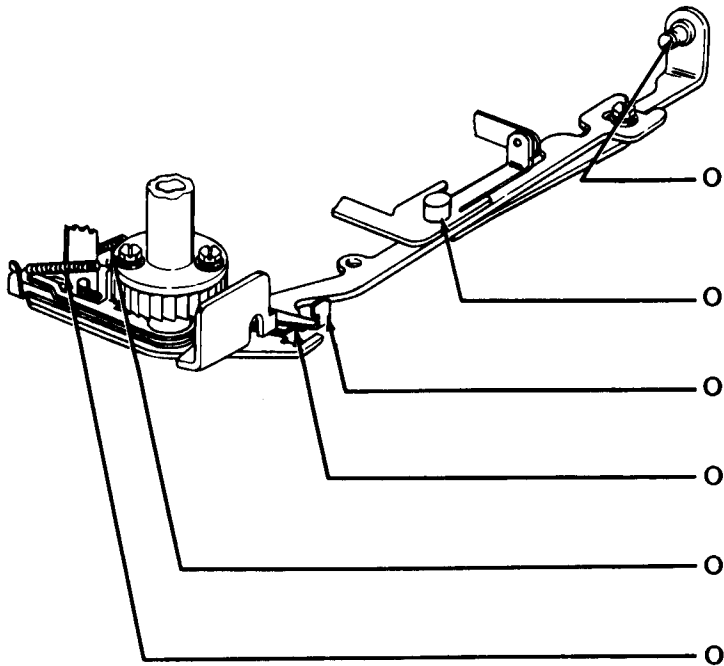
2.22 Space Bellcrank



2.23 Drive Mechanism



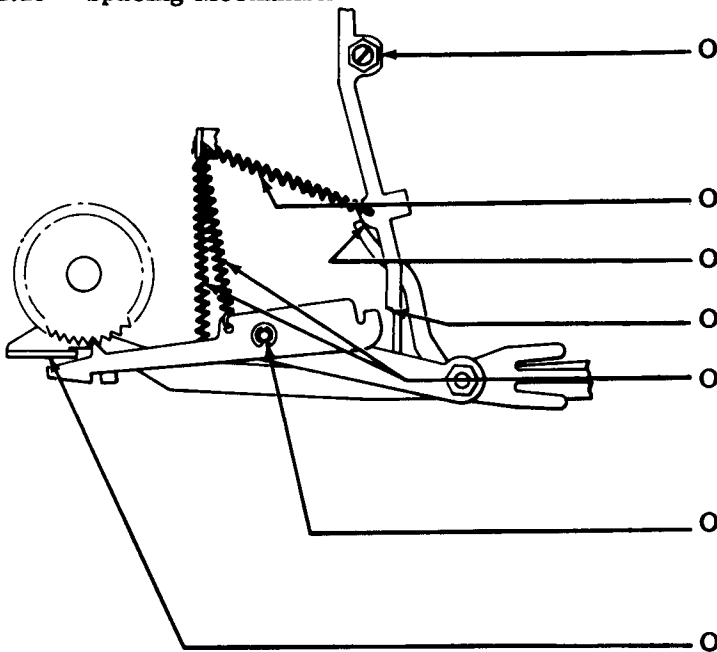
2.24 Carriage Return and Spacing Levers



- O Pivot Carriage Return Lever
- O Pivot Spacing Mechanism
- O Engaging Surface Latch
- O Latching Surface Latch
- O Hooks (Each End) Latch Spring
- O Hooks (Each End) Latch Spring

(Left Front View)

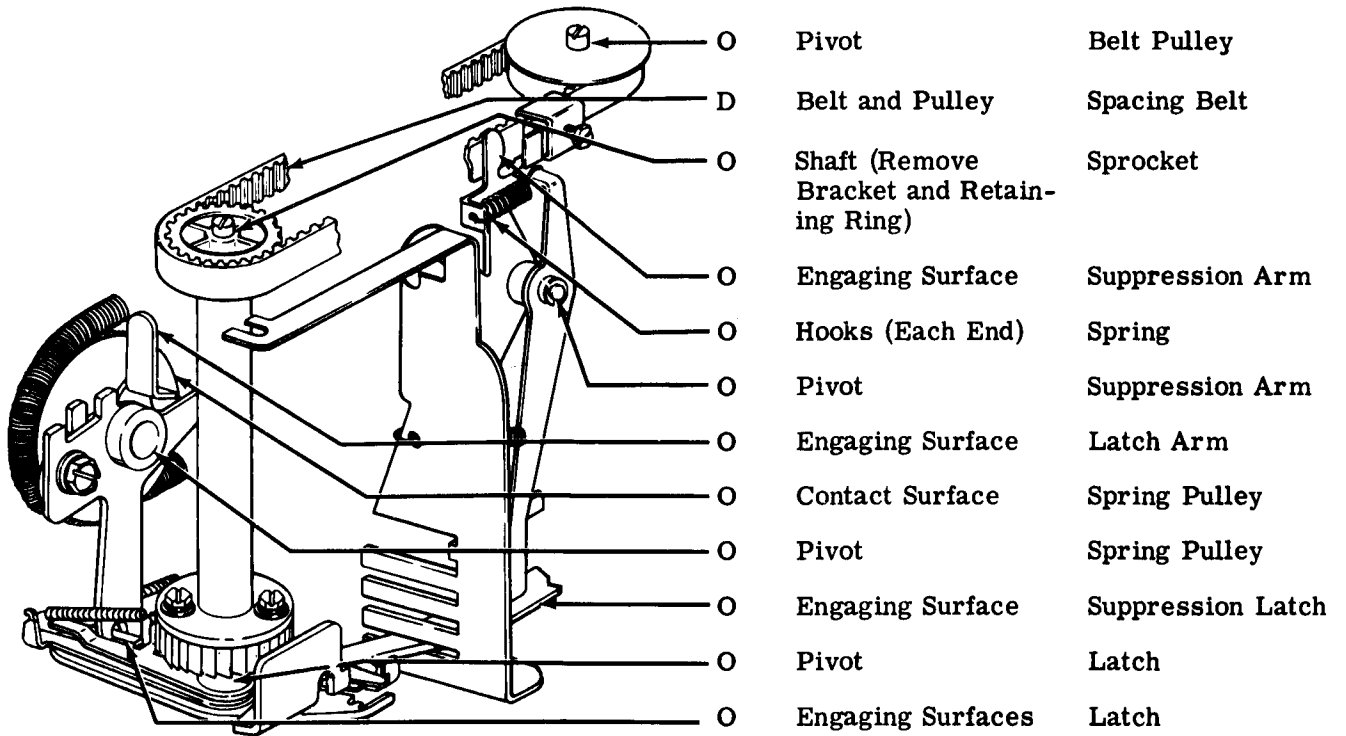
2.25 Spacing Mechanism - 1



- O Pivot Eccentric
- O Hooks (Each End) Spring
- O Engaging Surface Spacing Lever
- O Latching Surface Suppression Lever
- O Hooks (Each End) Springs (3)
- O Pivot Feed Pawl
- O Engaging Surfaces Feed and Check Pawls

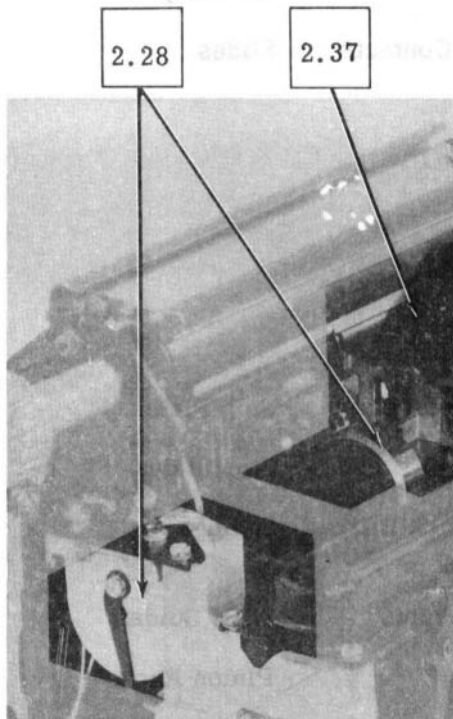
(Top View)

2.26 Spacing Mechanism - 2

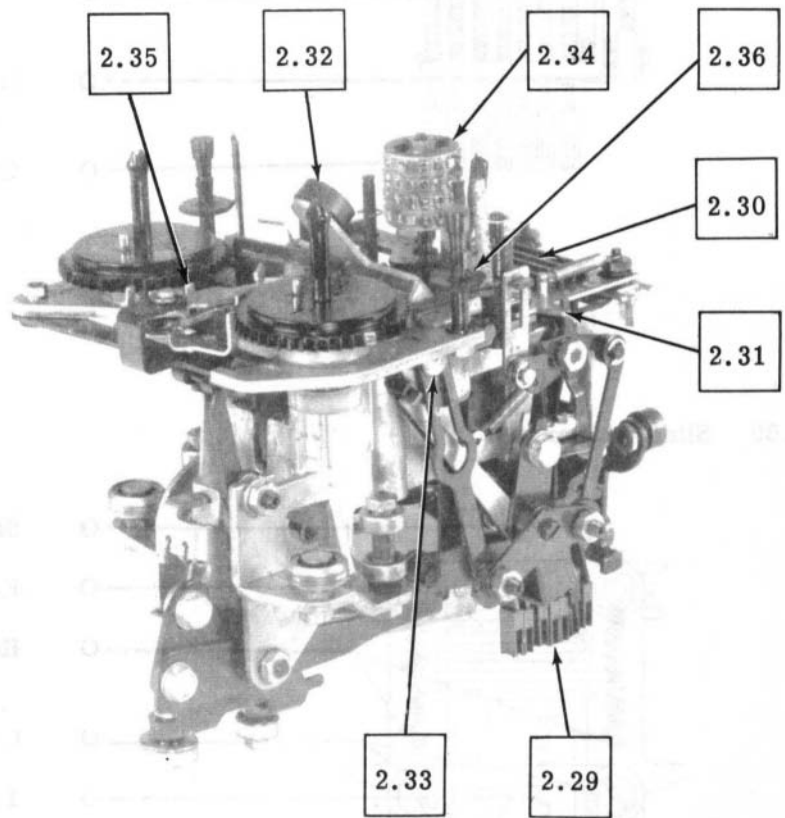


(Left Front View)

2.27 Carriage Area



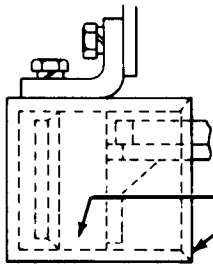
(Left Front View)



(Right Front View)

Note: Remove ribbon mechanism and carriage return spring before lubricating. For instructions, see Section 574-172-702TC.

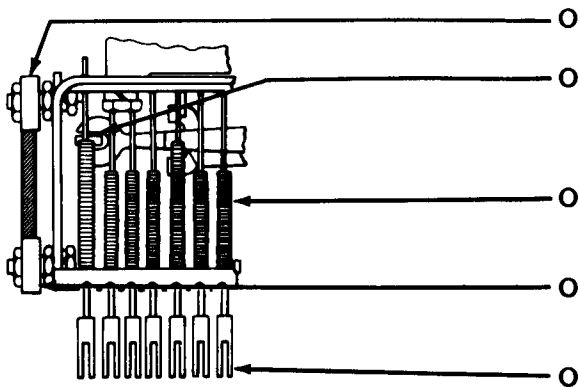
2.28 Dashpot



(Front View)

Sliding Surfaces Dashpot and Cylinder
 (Apply with oil dampened cloth. Too much lubricant will cause malfunction.)

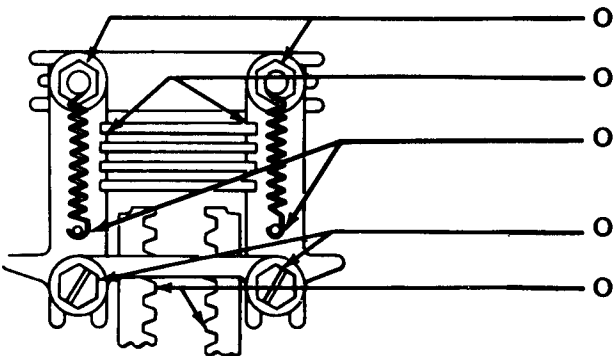
2.29 Slides



(Left Side View)

Bearing	Rear Roller (Top)
Engaging Surface	Suppression Latch Fork
Seats (Each End)	Slide Guide Springs
Bearing	Rear Roller (Bottom)
Codebar Contacts	Slides

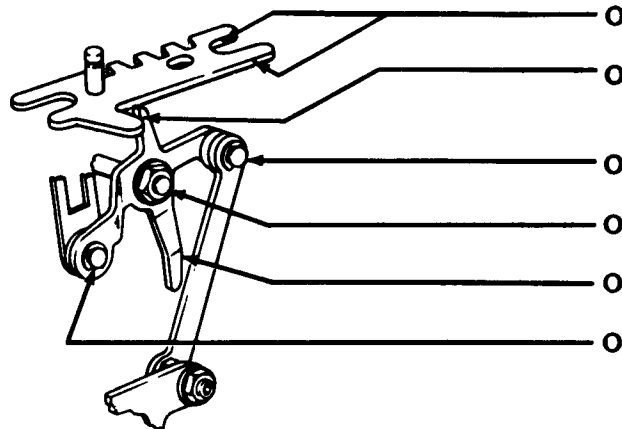
2.30 Slide Guideplates



(Top View)

Sliding Contacts	Stop Plate
Engaging Surfaces	Stop Slides
Hooks (Each End)	Springs
Contact Points	Slide Guides
Teeth	Pinion Racks

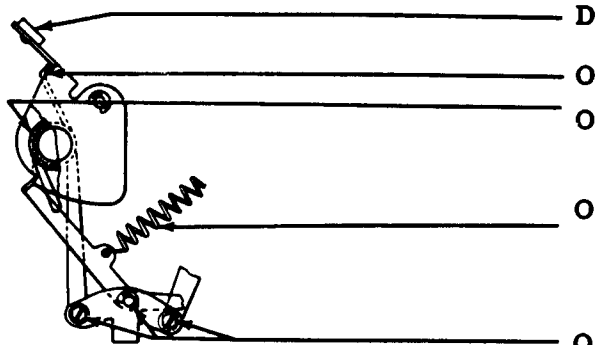
2.31 Drive Arm



(Right Side View)

- O Contact Surface Plate
- O Contact Surfaces Plate and Drive Arm
- O Pivot Drive Arm
- O Pivot Drive Arm
- O Contact Surface Drive Arm
- O Pivot Link

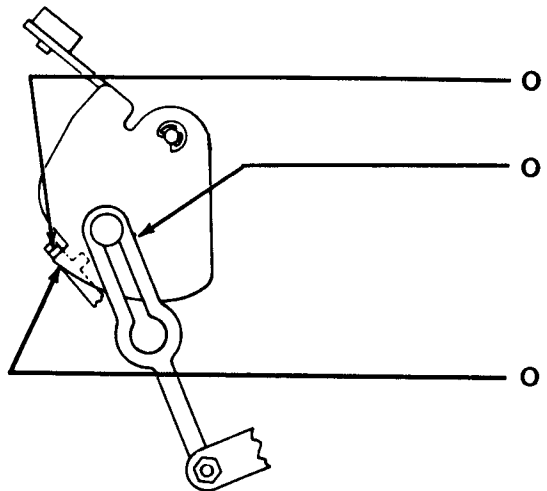
2.32 Print Hammer



(Right Side View)

- D Surface Print Hammer
- O Ends (2) Torsion Spring
- O Pivots (2) Spring Shaft
- O Hooks (Each End) Spring
- O Bearings (3) Drive Bail

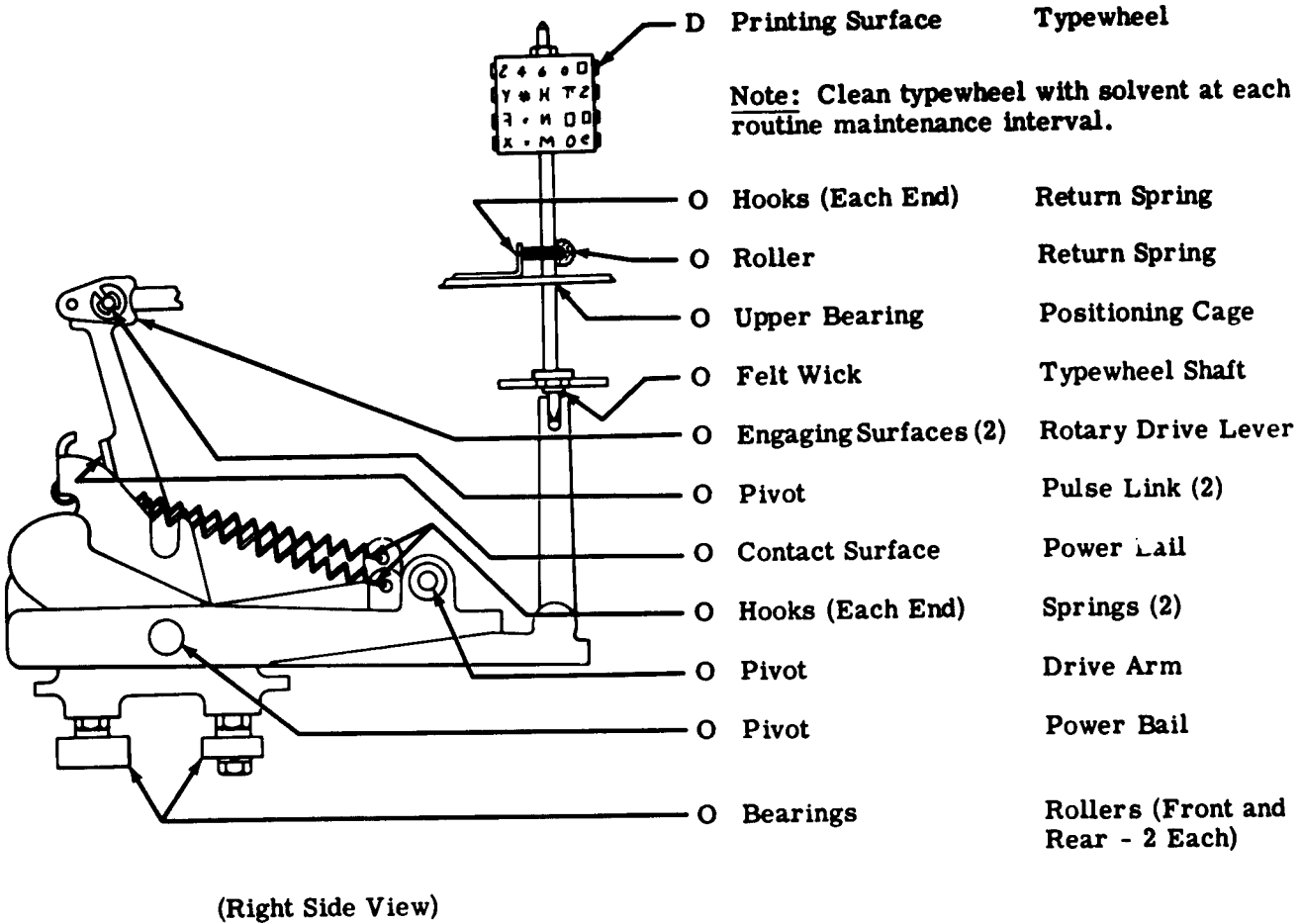
2.33 Reset Arm



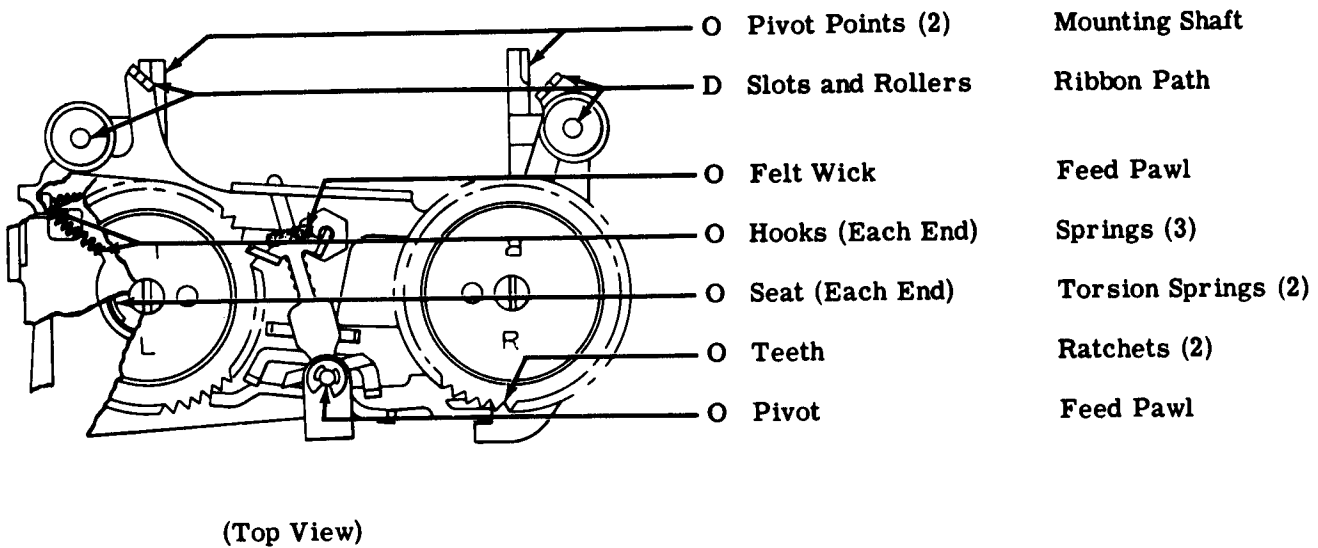
(Right Side View)

- O Latching Surface Trip Lever
- O Sliding Contacts Reset Arm
- O Camming Surface Print Hammer Bail

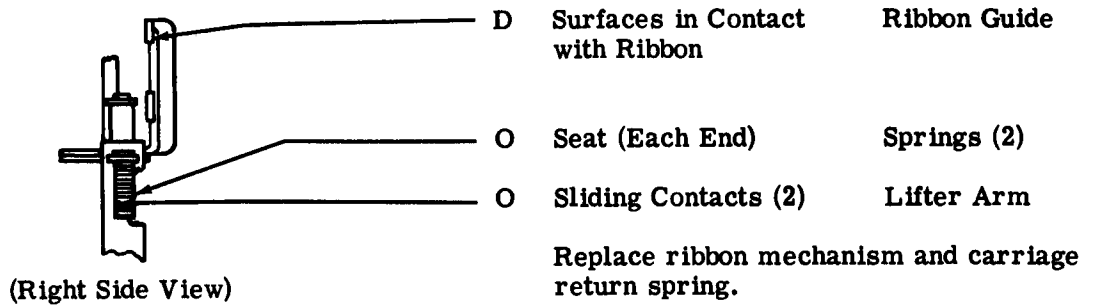
2.34 Typewheel Mechanism



2.35 Ribbon Mechanism

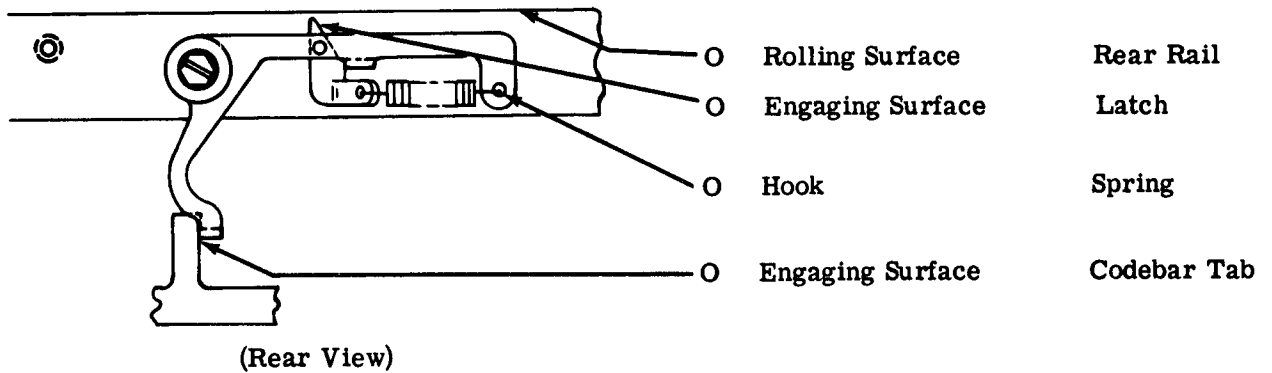


2.36 Ribbon Guide Spring

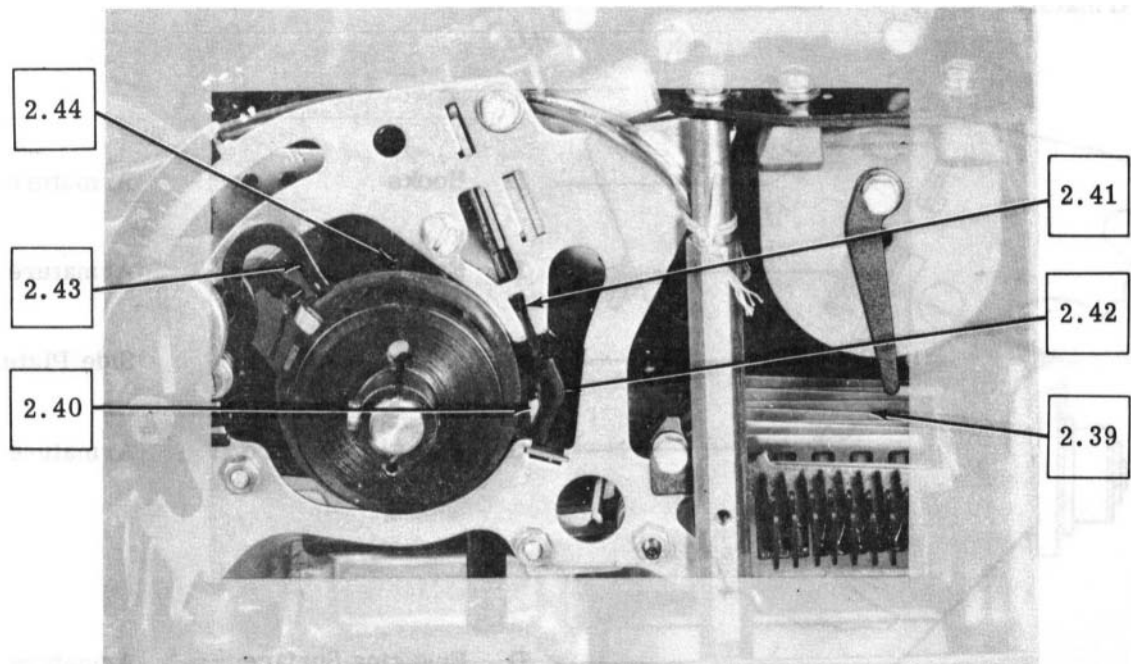


2.37 Carriage Rear Rail

Note: These lubrication instructions apply only to typing units equipped with A TP181304 latch.

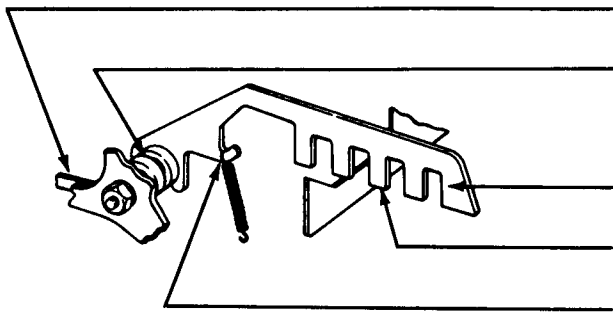


2.38 Selector Area



(Left Side View)

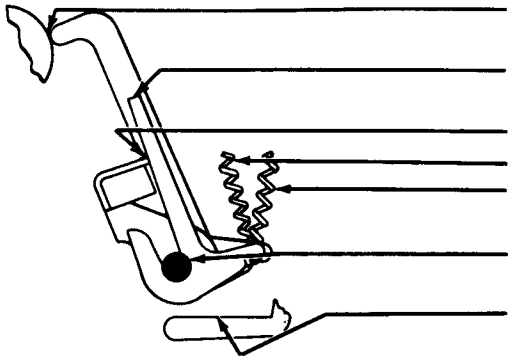
2.39 Blocking Levers



(Left Front View)

- O Contact Surfaces Blocking Levers
- O Pivots Shaft
- O Engaging Surfaces Codebar Slots
- O Contact Surfaces Tines
- O Hooks Springs

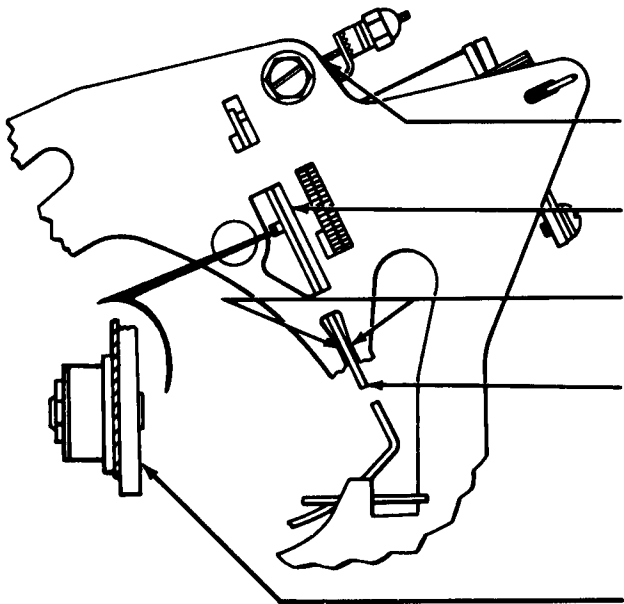
2.40 Pushlevers and Stripper Bail



(Left Side View)

- O Camming Surface Cal. Follower
- O Latching Surface Pushlevers
- O Contact Surface Stripper Bail
- O Hooks (Each End) Bail Spring
- O Hooks (Each End) Pushlever
- O Pivots Springs
- O Contact Surfaces Pushlevers
- O Contact Surfaces Blocking Levers

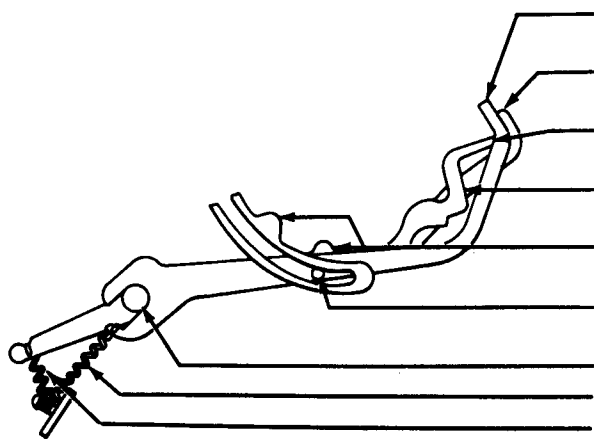
2.41 Armature



(Left Side View)

- D Hooks Armature Spring
- D Engaging Surfaces Armature
- O Engaging Surfaces Side Plates
- G Engaging Surface Armature
- D Engaging Surface Armature

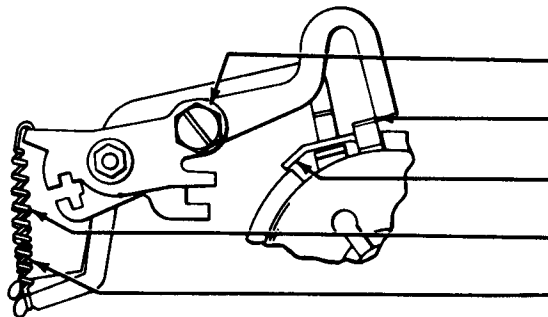
2.42 Selector Levers



(Left Side View)

- O Tip Start Lever
- O Contact Surface Locklever
- O Contact Surface Selector Levers
- O Engaging Surface Selector Levers
- O Camming Surface Selector Levers
- O Sliding Contact Start Lever
- O Pivots Levers
- O Hooks (Each End) Start Lever Spring
- O Hooks (Each End) Spring (9)

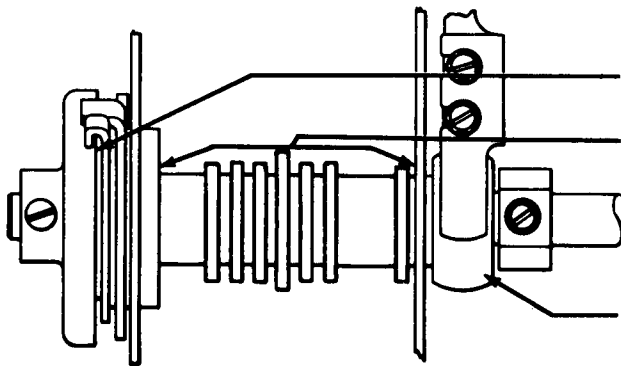
2.43 Latchlever and Trip Lever



(Left Side View)

- O Pivots (2) Levers
- O Engaging Surface Trip Lever
- O Latching Surface Latchlever
- O Hooks (Each End) Trip Lever Spring
- O Hooks (Each End) Latchlever Spring

2.44 Selector Clutch



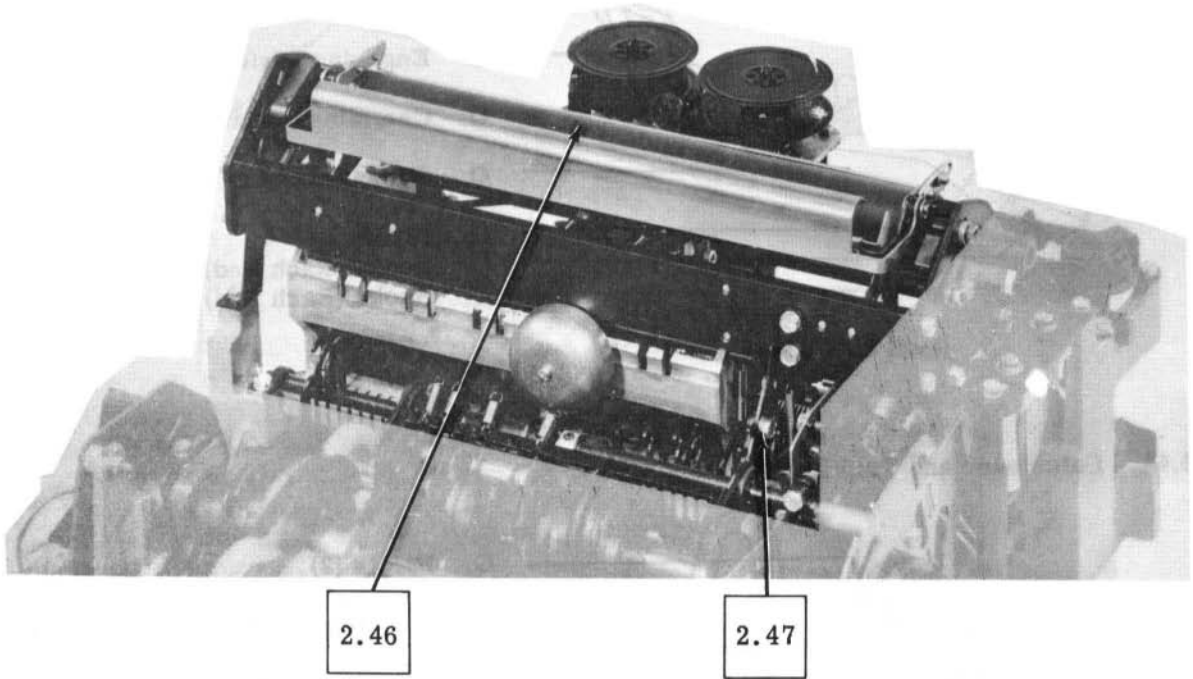
(Top View)

- O* Internal Mechanism Selector Clutch
- O* Camming Surface Selector Clutch
- O Bearing (Each End) Main Shaft

*Refer to 1.06.

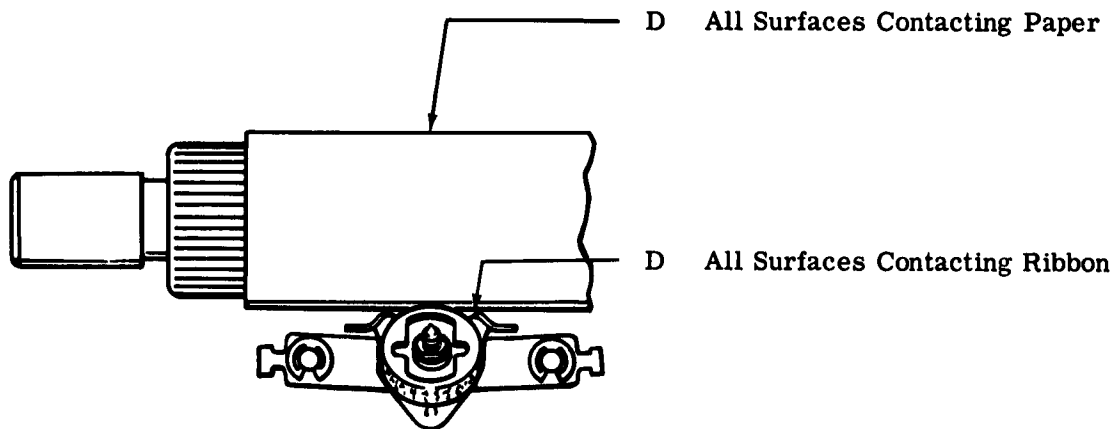
FRICION FEED MECHANISMS

2.45 Paper Feed Area



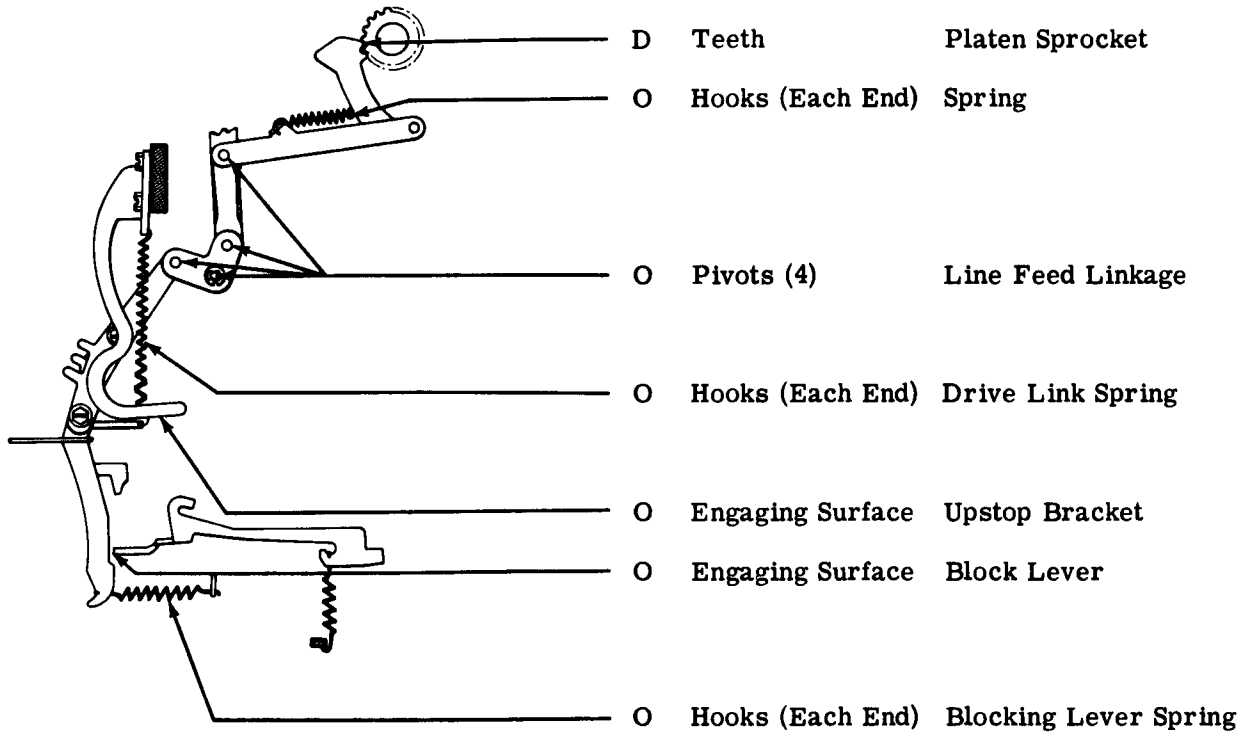
(Rear View)

2.46 Platen



**CAUTION: DO NOT CLEAN PLATEN
WITH SOLVENTS.**

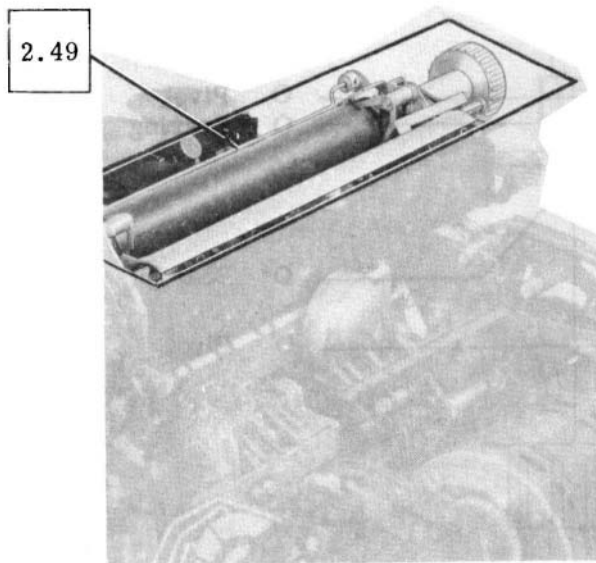
2.47 Line Feed Mechanism



(Left Side View)

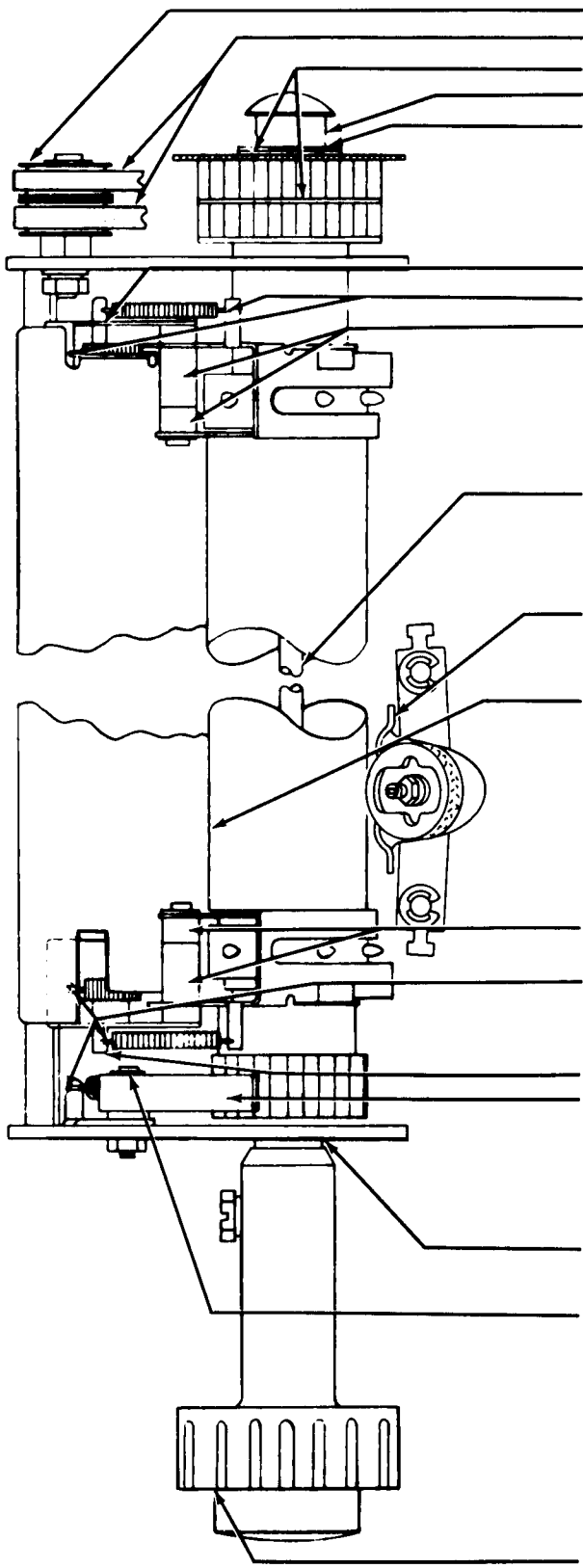
SPROCKET FEED MECHANISMS

2.48 Paper Feed Area



(Right Rear View)

2.49 Platen Mechanism



- O Bearing Idler
- D Belts Drive
- O Bearing Pulley
- O Bearing Button
- O Felt Washers (2 Within Shaft) Shaft

Note: Shaft must be disassembled.

- O Pivot Paper Guide
- O Hooks (Each End) Spring
- O Bearing Paper Guide

- O* Bearings (Both Ends) Shaft

Note: Reassemble shaft.

- D All Surfaces Contacting Ribbon

- D All Surfaces Contacting Paper

- O Bearing Paper Guide

- O Hooks (Each End) Spring

- O Pivot Paper Guide
- O Bearing Pawl

- O* Bearing Left and Right Plate

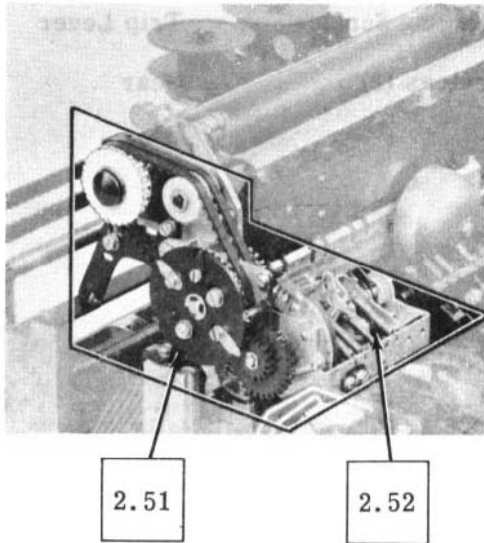
- O Pivot Detent Lever

- D Bearing Knob

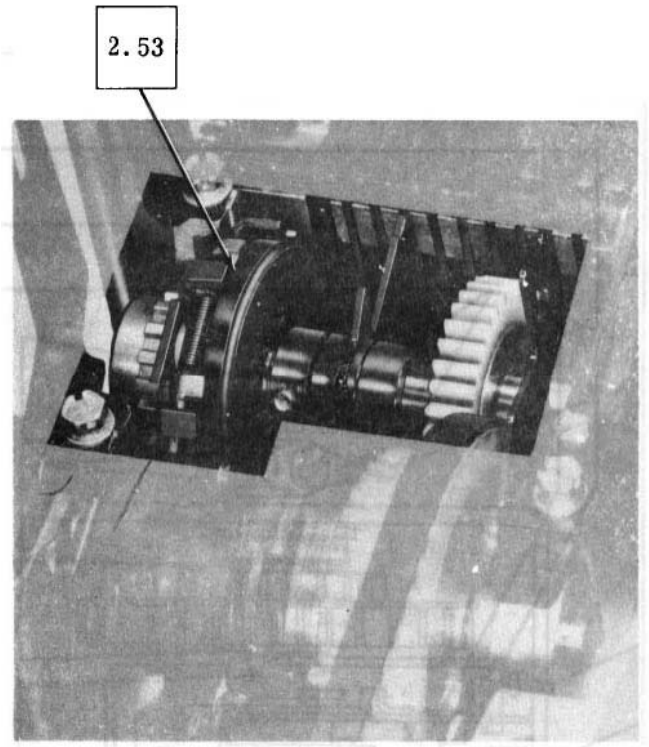
(Top View)

*Refer to 1.06.

2.50 Platen Drive Area



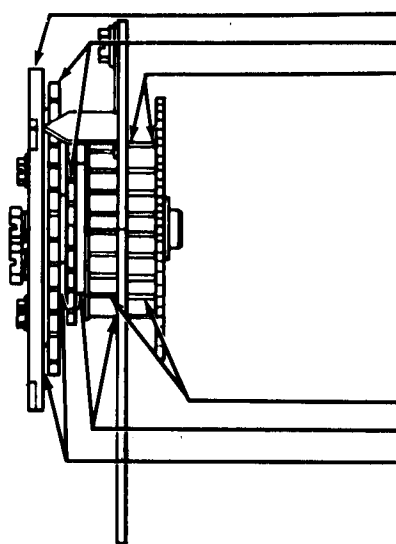
(Right Rear View)



(Left Rear View)

(Form-out mechanism removed for illustration purposes. Removal for lubrication is not required.)

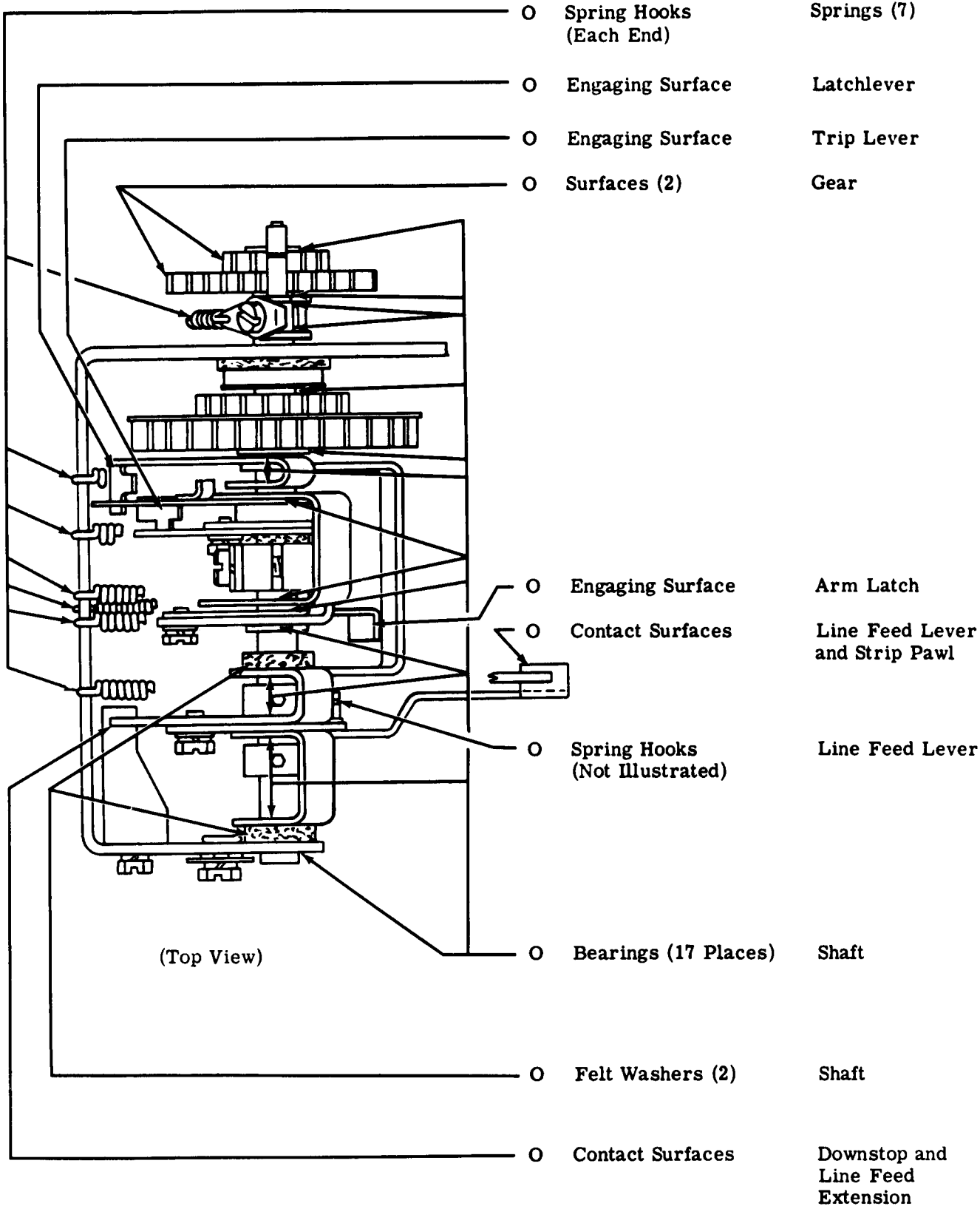
2.51 Cam, Pulley, and Gear Combination



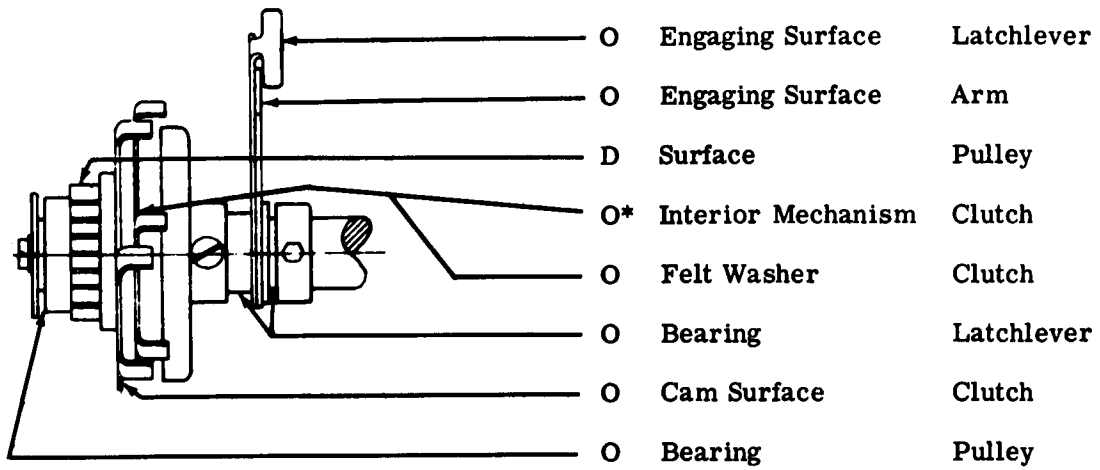
- | | | |
|---|--------------|-----------------|
| O | Cam Surface | Cam Gear |
| O | Gear Surface | Cam Gear |
| O | Bearing | Gear and Pulley |
| D | Surface | Pulley |
| O | Bearing | Gear and Pulley |
| O | Bearing | Cam Gear |

(Top View)

2.52 Form-Out Mechanism



2.53 Line Feed Clutch

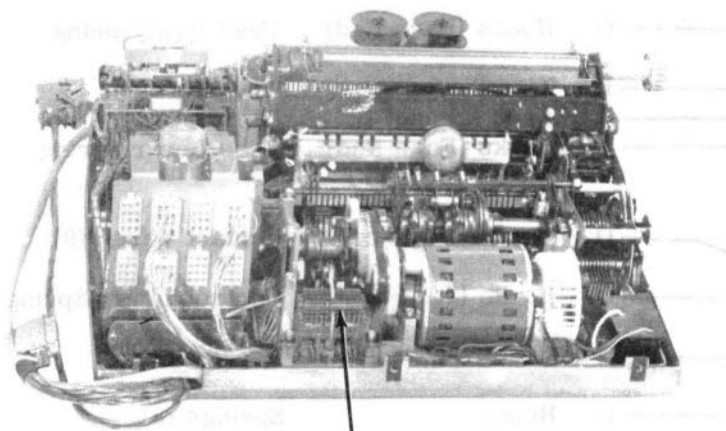


*Refer to 1.06.

(Top View)

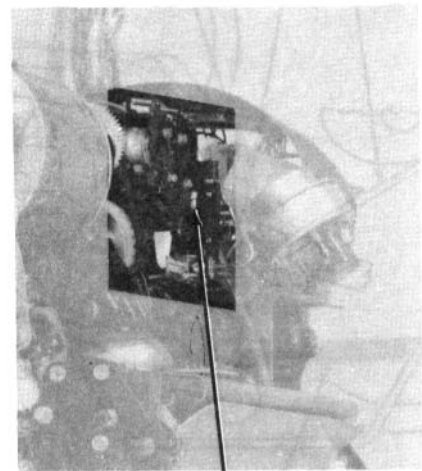
3. VARIATIONS TO BASIC UNITS

3.01 Answer-Back Area



3.03

(Left Rear View)

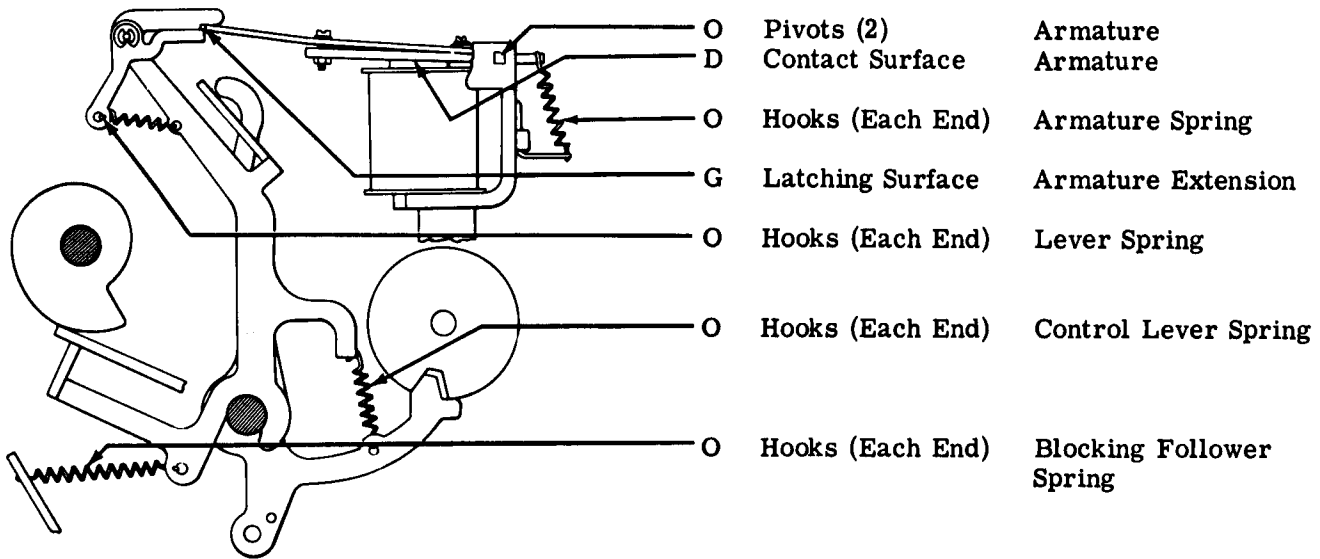


3.02

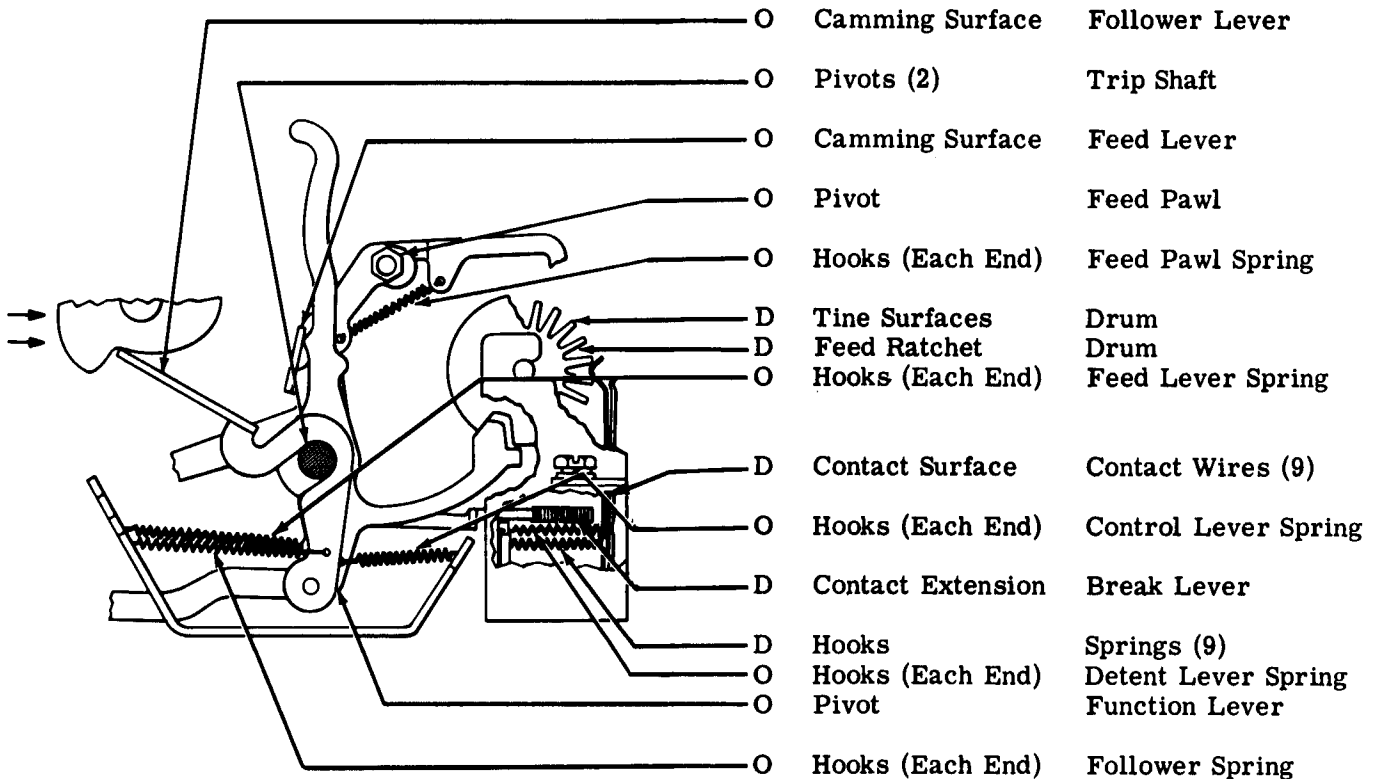
(Left Side View)

3.02 Trip Magnet

Note: Remove answer-back drum.



3.03 Answer-Back Mechanism



Note: Replace answer-back drum.

CAUTION: DO NOT CLEAN CONTACT BLOCK WITH SOLVENTS.