

## INSTRUCTIONS FOR INSTALLING THE 194851 MODIFICATION KIT TO BIAS DUST COVER ON LMXB201 AND LMXB206

### 1. GENERAL

a. The 194851 Modification Kit, when installed on the LMXB201 or LMXB206, provides means for biasing the dust cover to the left to insure sufficient clearance between the inside of the cover and the drive sprocket.

b. The 194851 Modification Kit consists of:

1	34432	Washer, Flat
1	154156	Grommet
1	194834	Bracket

c. For parts ordering information refer to Teletype Parts Bulletin 1161B (Fixed head, single contact) or 1165B (Fixed head, multi-contact).

### 2. INSTALLATION (Figure 1)

a. Insert 154156 Grommet into hole of 194834 Bracket.

b. Remove and retain the screw and lock washer from the front left corner of the base that secures the vibration mount bracket to the base. Discard the bracket. Using the 34432 Flat Washer together with the retained screw and lock washer, mount the 194834 Bracket to the base. The bend in the bracket should be in the down position.

### 3. ADJUSTMENTS AND LUBRICATION

#### NOTE

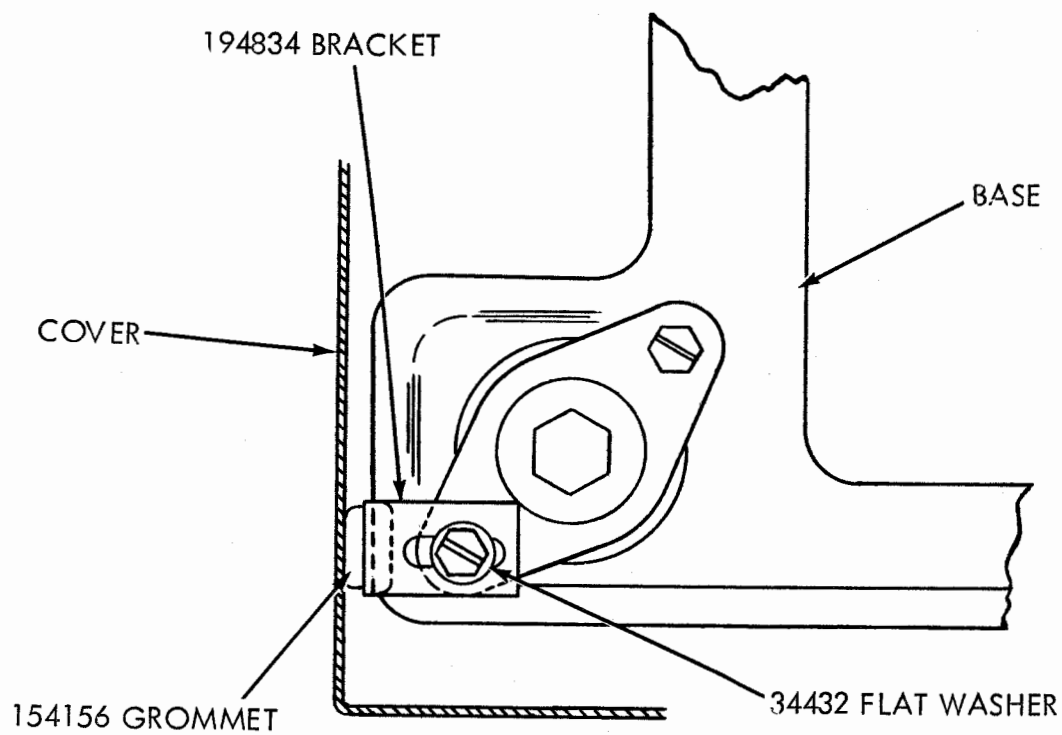
The left LXD Unit must be removed to permit accessibility to the bracket when adjusting.

With the screw holding the bracket friction tight and the bracket in its extreme right position, place the dust cover on the base. With a screw driver, position the bracket to its extreme left position. Remove dust cover and tighten screw. Recheck above adjustment and refine if necessary.

\*

\*

\*



FRONT LEFT SIDE  
TOP VIEW

FIGURE 1