

INSTRUCTIONS FOR INSTALLING DC PULSING CARD DIAL ON
TELETYPE MODEL 33 OR 35 KEYBOARD SEND-RECEIVE SET (KSR)
AND AUTOMATIC SEND-RECEIVE SET (ASR) USING MODIFICATION
KIT 182487, 182499, 193486 OR 195924

1. GENERAL

a. The 182499 or 193486 Modification Kit, when installed on a Teletype Model 33 or 35 (respectively) Keyboard Send-Receive Set (KSR) and Automatic Send-Receive Set (ASR), equips the set with a DC pulsing card dial.

b. The DC card dial provides automatic card dialing that supplements the DC rotary dial. Frequently-called numbers may be coded on cards and be used by the operator to assist in placing calls. The card dial operates on the same principle as the rotary dial (DC card dial pulses at about the same rate as rapid manual dialing). Upon receipt of the dial tone, operation of the card dial is initiated when a card is inserted and the START bar is operated. The mechanism starts dialing under power of its motor. The card is advanced from the slot through power from the spring motor previously wound during insertion of the card. When dialing is completed, the card is released by operating the RELEASE bar.

c. The 182487 or 195924 Modification Kit is the same as the 182499 or 193486 Kit (respectively) except the 182622 DC Card Dial is not included.

d. The 182487, 182499, 193486 and 195924 Modification Kits consist of:

5	181241	Screw w/Lock Washer	2	182493	Card Set, Dialing
1	181287	Holder, Card	1	182494	Card Set, Index
1	181289	Window	1	182622	Dial, DC Card (not in 182487 or 195924 Kit)
1	181904	Faceplate (For 182487 or 182499 Kit)	1	182698	Cable Assembly
1	181908	Faceplate (For 193486 or 195924 Kit)	1	182724	Plate

e. For parts referred to, other than those included in the kits, refer to Teletype Parts Bulletin 1184B (Model 33 KSR and ASR Sets) or 1187B (Model 35 KSR and ASR Sets).

2. INSTALLATION (Figures 1 and 2)

a. REMOVAL OF THE COVER

(1) Remove the faceplate by removing the screw at each end of the faceplate. Lift the front and back of the faceplate simultaneously and place aside. Retain the screws. For the later Model 35 Cabinet, only the back screw must be removed to take off the faceplate.

(2) For Model 35 Sets only - Unlatch the latch under the dome of the right of the printer and carefully remove the cover. On sets not equipped with the hinged lower cover assembly, lift the cover assembly off the set.

(3) For Model 33 Sets only

(a) Remove the platen knob and volume control knob by pulling outward.

(b) Remove the name plate by prying the lower section forward, then downward.

(c) Remove the cover from the unit after removing the seven screws that hold the cover to the base. Lift the cover carefully.

b. INSTALLATION OF DC CARD DIAL (Figures 1 and 2)

(1) Remove the six screws that hold the "Out-of-Service" switch and control light mounting bracket (together with right and left support arms) to the 182723 Bracket and selector magnet driver bracket.

(2) Remove and retain the rotary dial and the two mounting screws. Remove the blue wire from terminal 15 on the 182717 Terminal Strip ("TS3" for Model 33 Sets or "H" for Model 35 Sets) and attach it to terminal 8.

(3) Mount the card dial on the 182724 Plate using three 181241 Screws w/Lock Washers. See Figure 2.

(4) Attach the 182698 Cable Assembly to the card dial as shown on Figure 1.

(5) Make the connections for the card dial and rotary dial to the terminal strip as shown on Figure 1.

(6) Install the card dial assembly and reinstall the rotary dial using four 181241 Screws w/Lock Washers (two included in the kit and two retained in Paragraph (2)). On units equipped with the later design 182723 Bracket, discard the 181283 Spacer from under the rotary dial mounting brackets and use the forward mounting holes in the 182724 Plate for securing the rotary dial mounting brackets. See Figure 2.

(7) Install the new faceplate using the screws retained in Paragraph 2.a.(1). For the later Model 35 Cabinet, transfer the front locating bracket and its hardware from the removed faceplate to the new faceplate. Discard the removed faceplate.

(8) For Model 33 Sets only - Reinstall the cover, name plate, volume control knob and platen knob removed in Paragraph 2.a.(3).

(9) Insert the 181287 Card Holder and 181289 Window into the slots provided in the faceplate.

3. CODING OF DIALING CARDS (Figure 3)

a. To code a card, a pointed instrument (such as a pencil) is needed. Write the telephone number in the small boxes on the extreme right side of the card, as shown on Figure 3. Include any sequence (such as an area code) needed to obtain an outside line if these calls are originated through a PBX switchboard. It should be noted that the card dial senses a character in a particular row and simultaneously transmits the digits, and then advances the card to the next row.

b. Identify the station whose number is to be coded into the card in the space provided at the top of the card.

c. Code the first digit of the telephone number in the first horizontal row by punching a hole under the groups of numbers at the top of the card which contain this number. For example, if the first number is 2, as shown on Figure 3, punch a hole under the groups that contain the number 2 (holes shown in solid black). Also, punch a hole under STOP in the first row.

d. Code the second row, the third row, etc., in the same manner except that a hole under STOP is not punched, except as instructed below.

e. When dialing must be stopped after a sequence of numbers has been dialed, punch a hole under STOP in the row after the last number in the sequence. For example, on Figure 3, the card must stop after the first three digits (area code 258) have been dialed so the operator can hear a dial tone. Therefore, a hole under STOP is punched in the fourth row. To continue dialing depress the START bar.

f. It is not necessary to punch a STOP hole following the telephone number provided there are no other punched holes. However, a STOP hole may be punched, but this requires the operator to depress the RELEASE bar to release the card from the card dial.

*

*

*

DC PULSING CARD DIAL CONNECTIONS

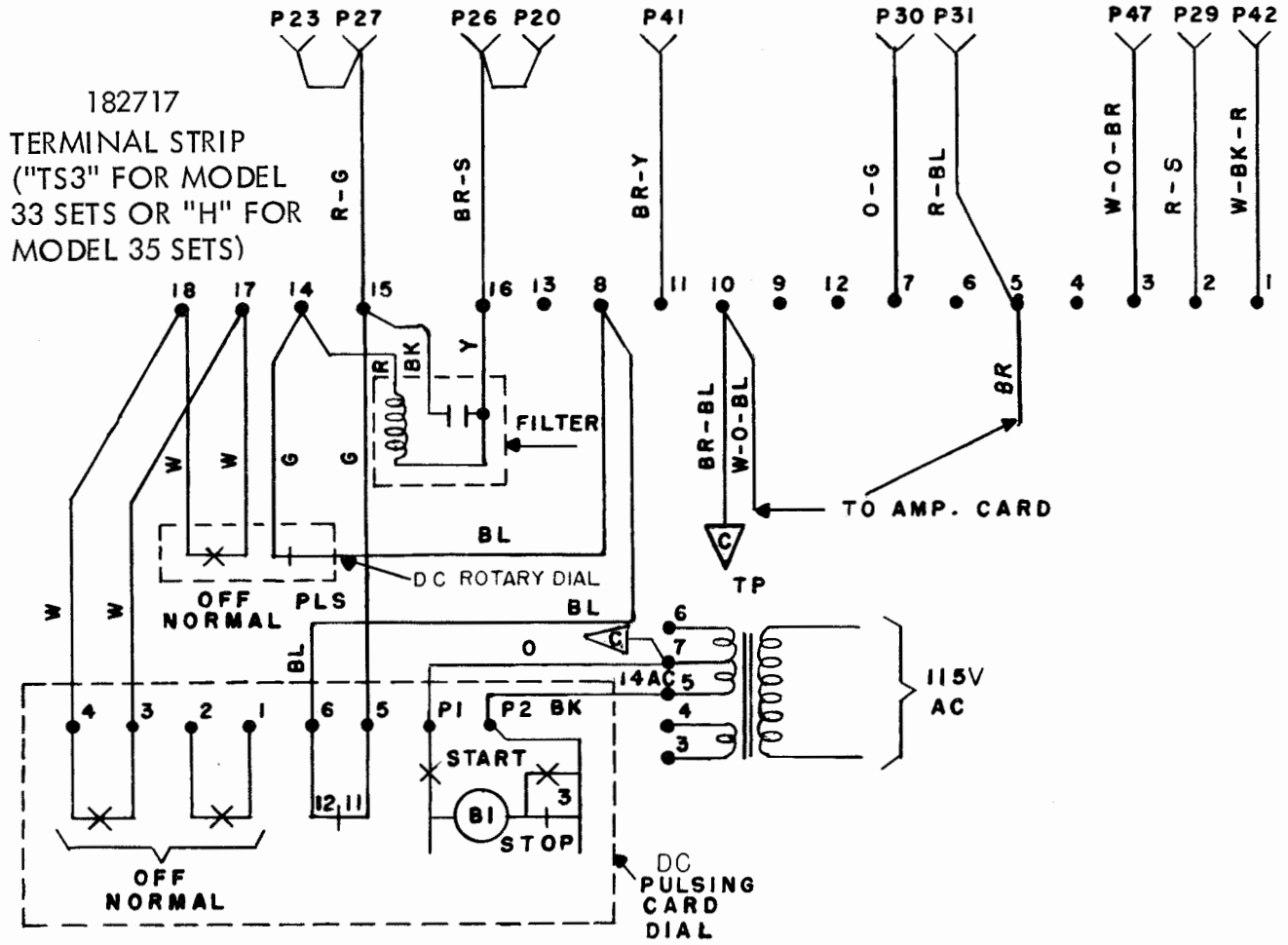


FIGURE 1

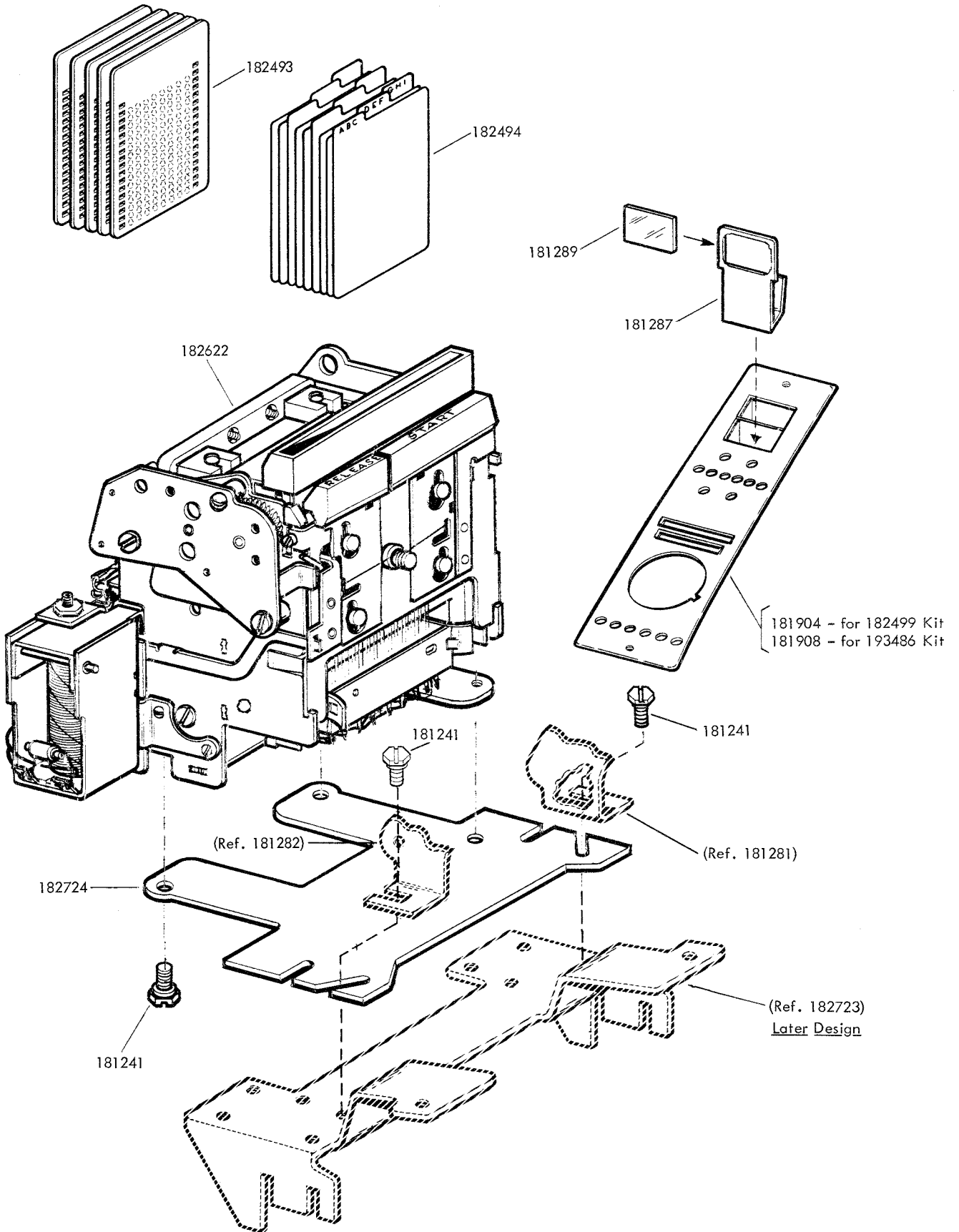
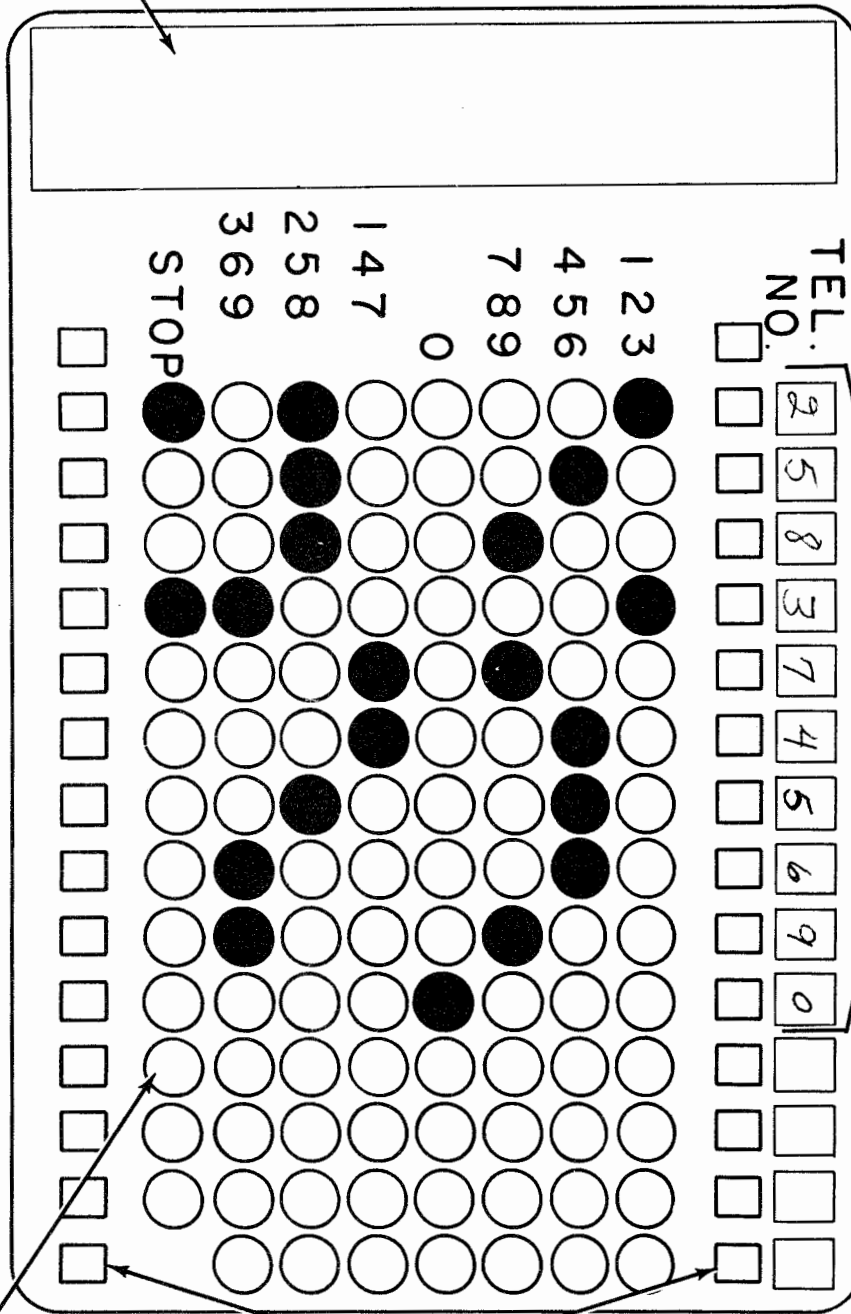


FIGURE 2

SPACE FOR IDENTIFICATION
OF STATION



TELEPHONE
NUMBER
(WRITTEN IN)

FEED HOLES

STOP HOLE AFTER NUMBER
MAY OR MAY NOT BE PUNCHED

● - PUNCHED
○ - NOT PUNCHED

FIGURE 3