

*Bob Erickson*

**MODEL 28 TELEWRITER**

**STUNT BOX**

**FIGURE NO.**

- 1 AN STUNTBX - FRONT VIEW /28E/
- 2 AN STUNTBX - REAR VIEW /28E/
- 3 FUNCTION BAR
- 4 28E TYPING UNIT - LEFT-HAND END VIEW
- 5 FUNCTION BAR TINES AND CODEBARS
- 6 SHAPES OF FUNCTION LEVERS AND LATCHES
- 7 STUNTBXES WITH SWITCHES
- 8 SWITCH MECHANISM
- 9 FUNCTION BAR TINES - SELECT A
- 10 OPERATION OF A PRINTER FUNCTION
- 11 OPERATION OF A PRINTER FUNCTION
- 12 OPERATION OF A PRINTER FUNCTION
- 13 OPERATION OF A PRINTER FUNCTION
- 14 SEQUENTIAL SELECTION OF A FUNCTION
- 15 SLOT AND CONTACT ARRANGEMENT - AN STUNTBX

*P70.035*

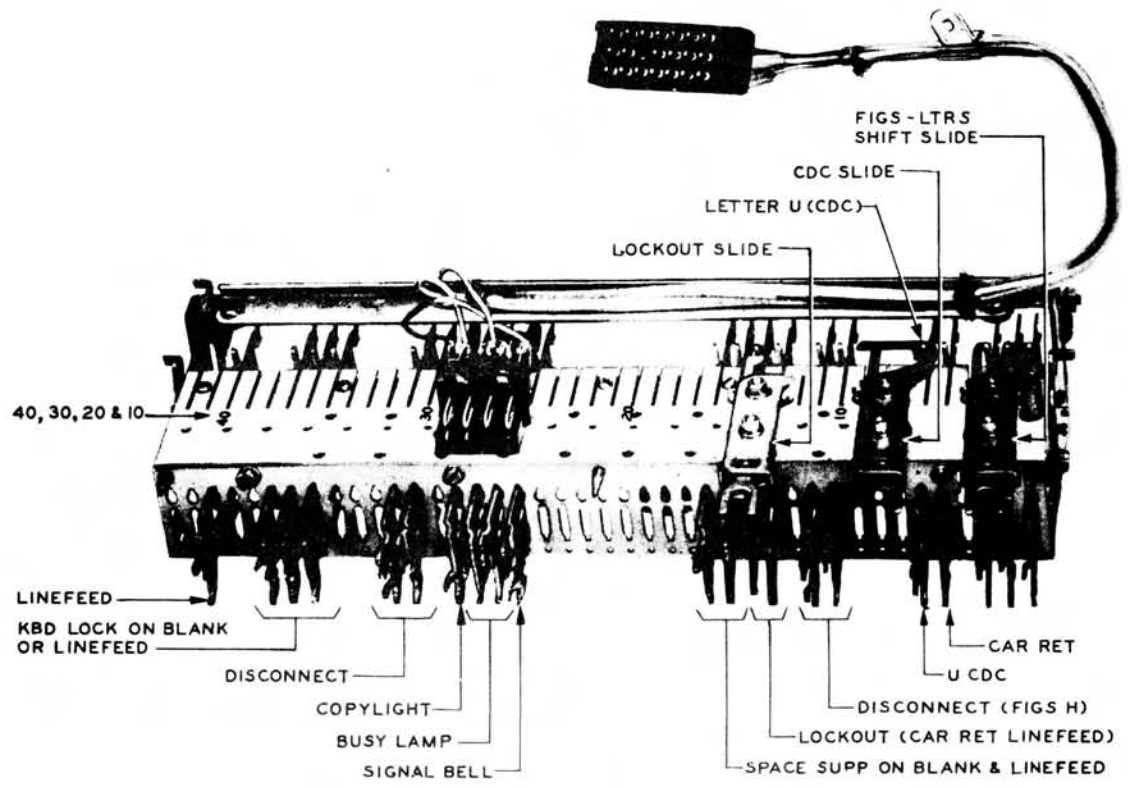


Fig. 1 - AN Stuntbox - Front View (28E)

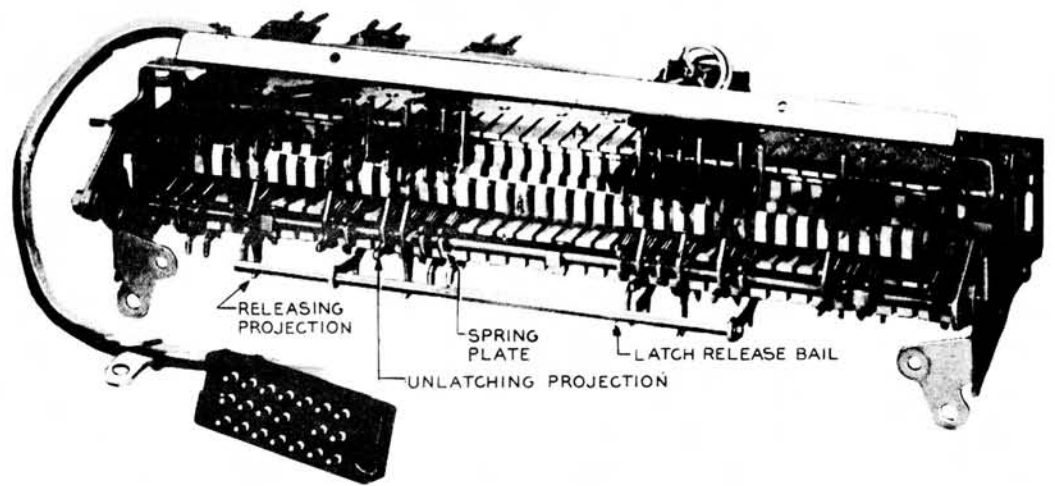
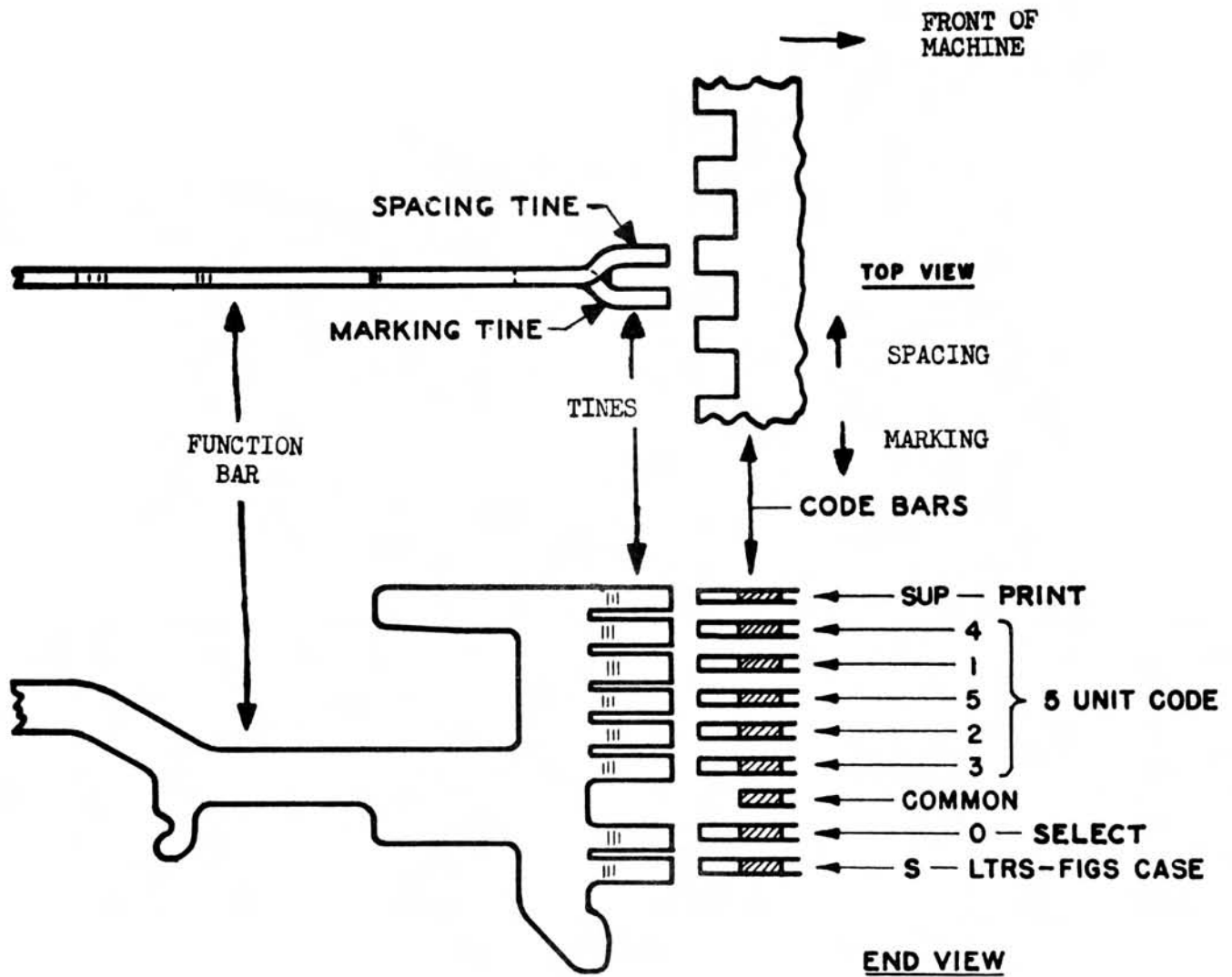


Fig. 2 - AN Stuntbox - Rear View (28E)



EACH TINE MAY BE FORMED TO PERMIT OPTIONAL SELECTION WHEN THE ASSOCIATED CODE BAR IS TOWARD THE LEFT (MARKING) OR RIGHT (SPACING). SELECTION IS PERMITTED IN EITHER CASE IF THE TINE IS OMITTED.

Fig. 3 - Function Bar

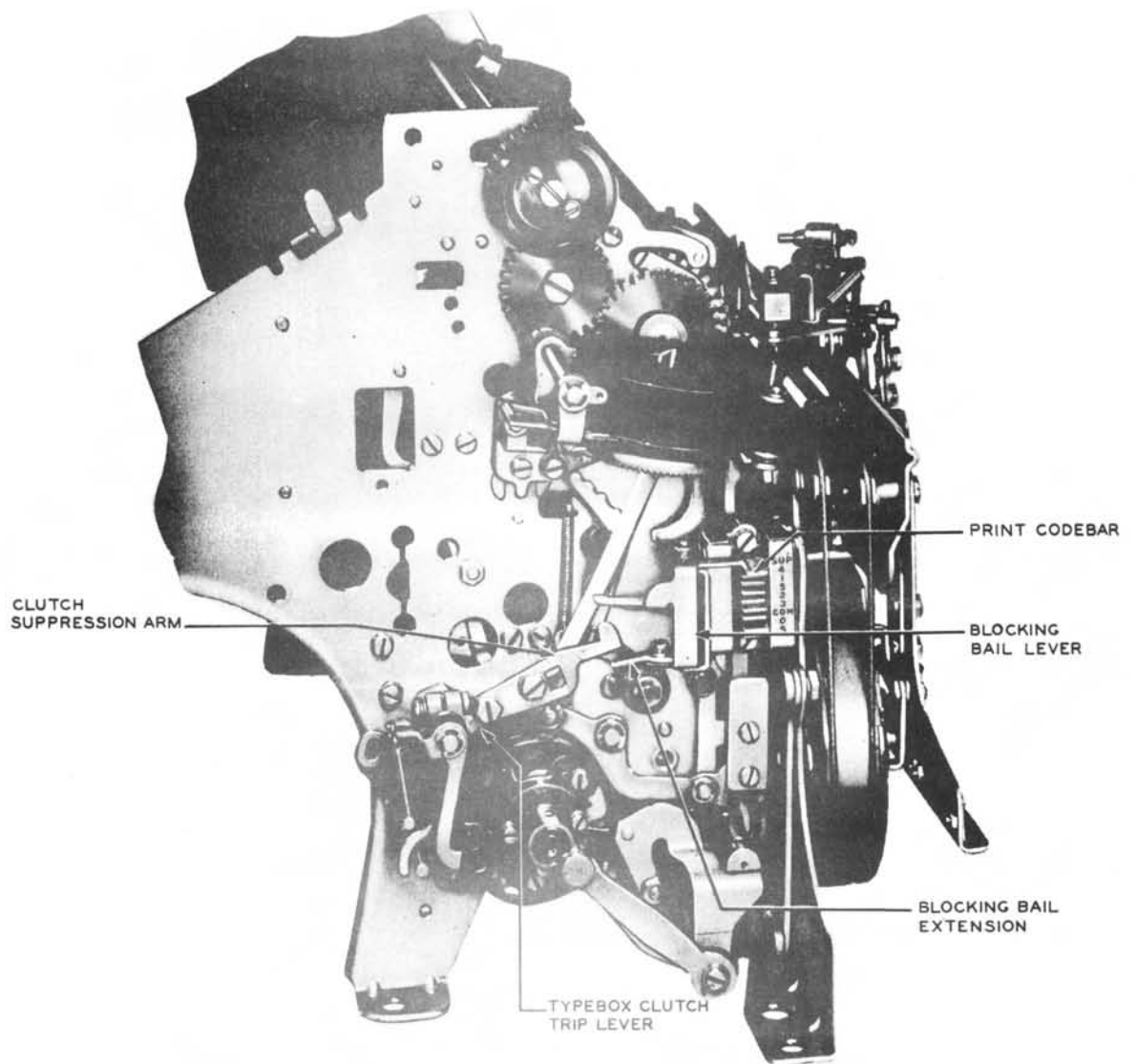


Fig. 4 - 28E Typing Unit - Left-Hand End View

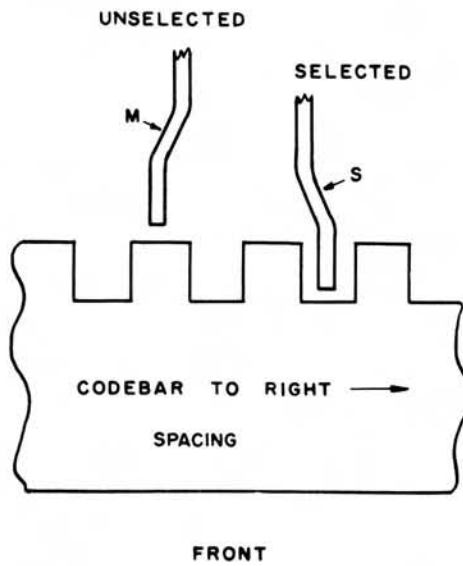
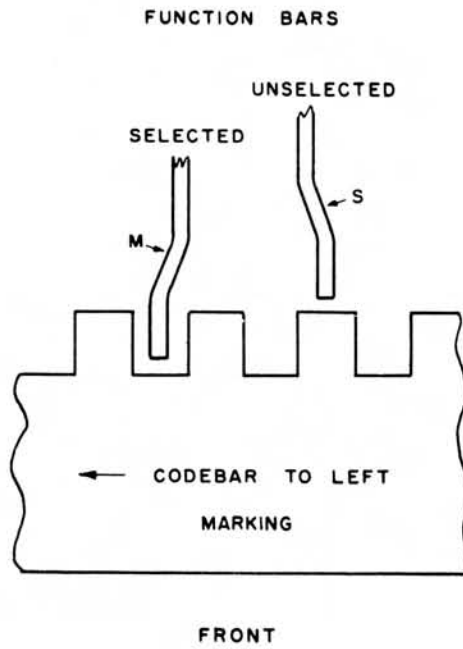
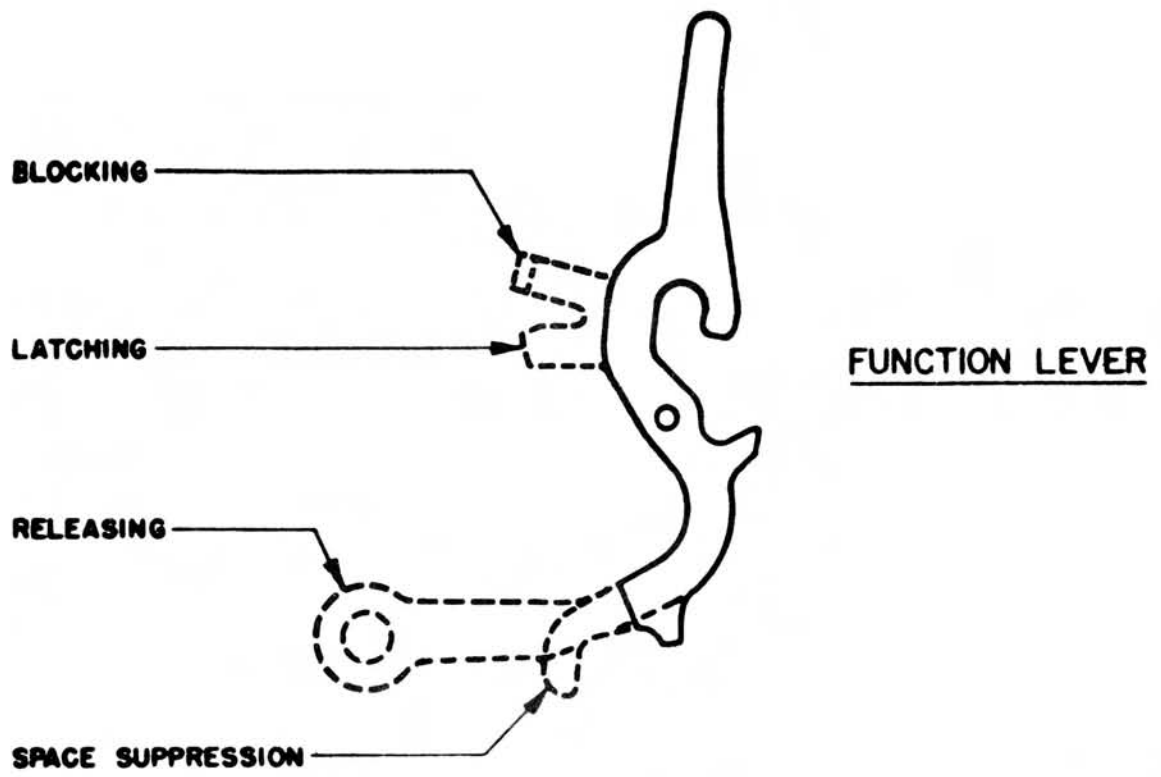


Fig. 5 - Function Bar Tines and Codebars



(DOTTED PORTIONS DENOTE OPTIONAL FORMS)

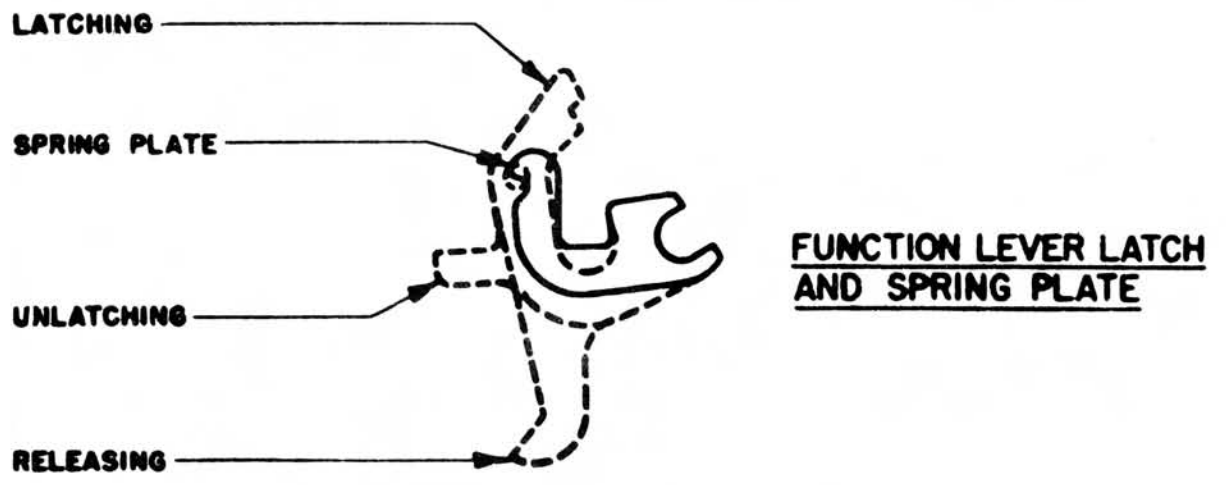


Fig. 6 - Shapes of Function Levers and Latches

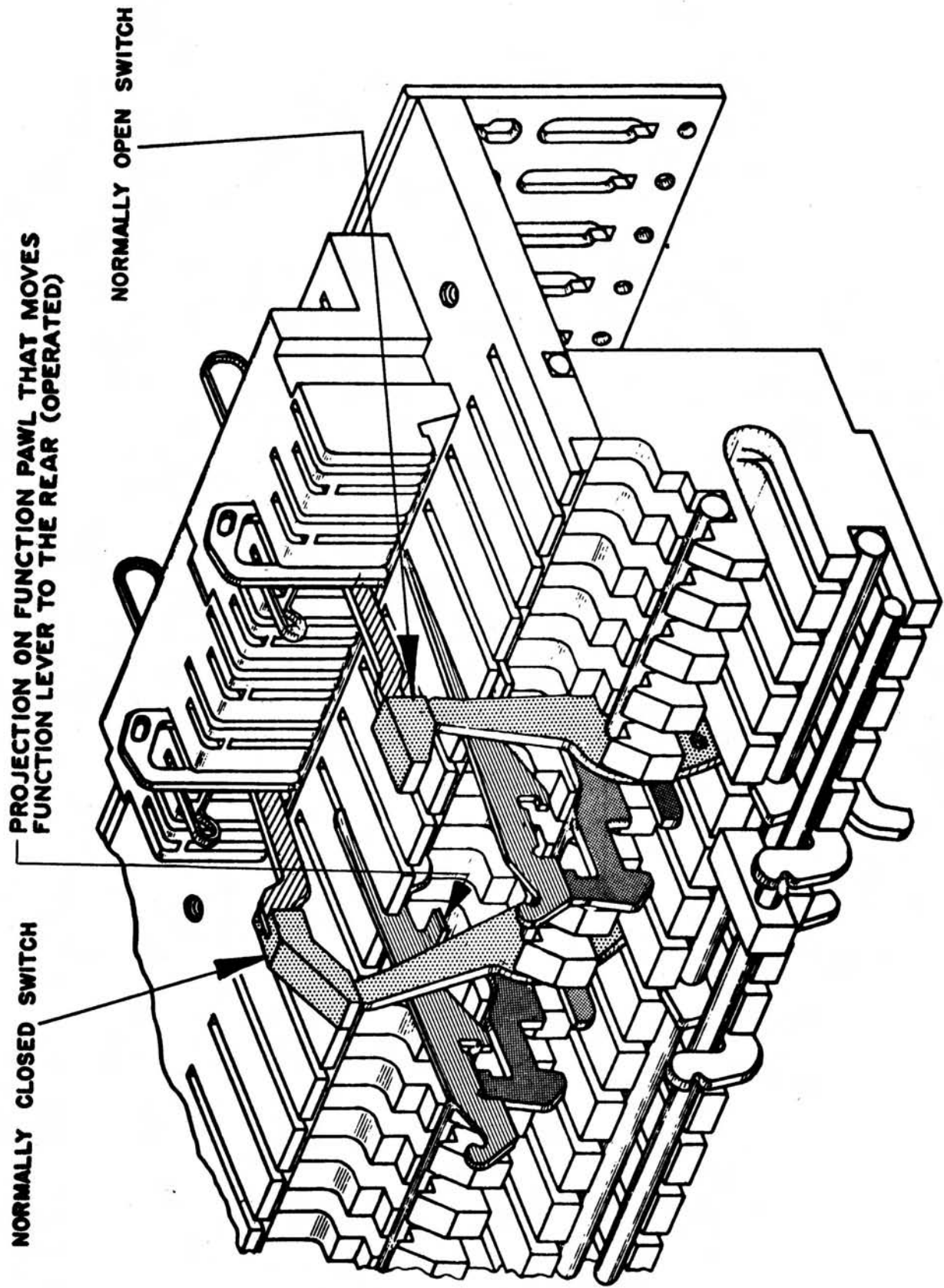


Fig. 7 - Stantbox with Switches



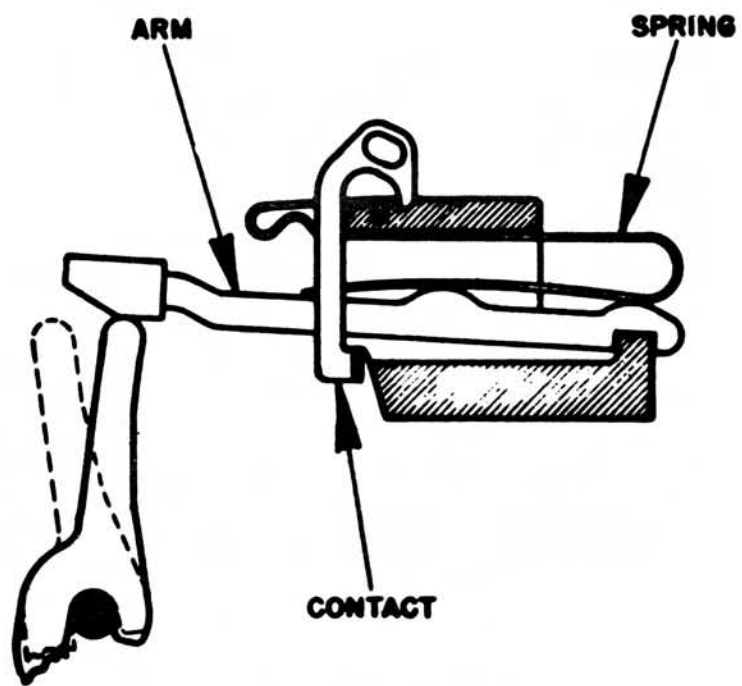
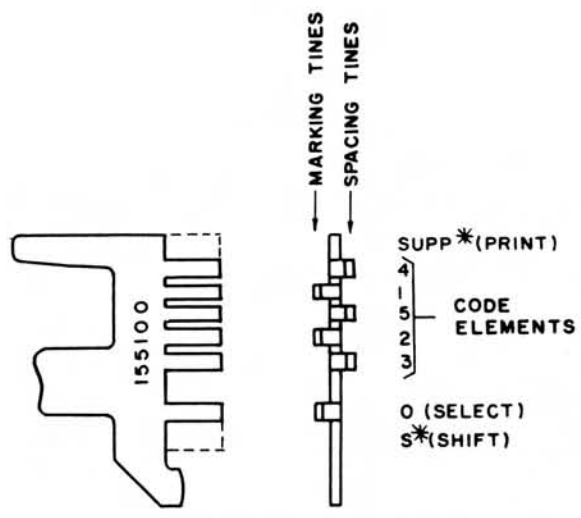


Fig. 8 - Switch Mechanism



\* THESE TINES NOT USED ON THIS FUNCTION BAR

Fig. 9 - Function Bar Tines - Select A

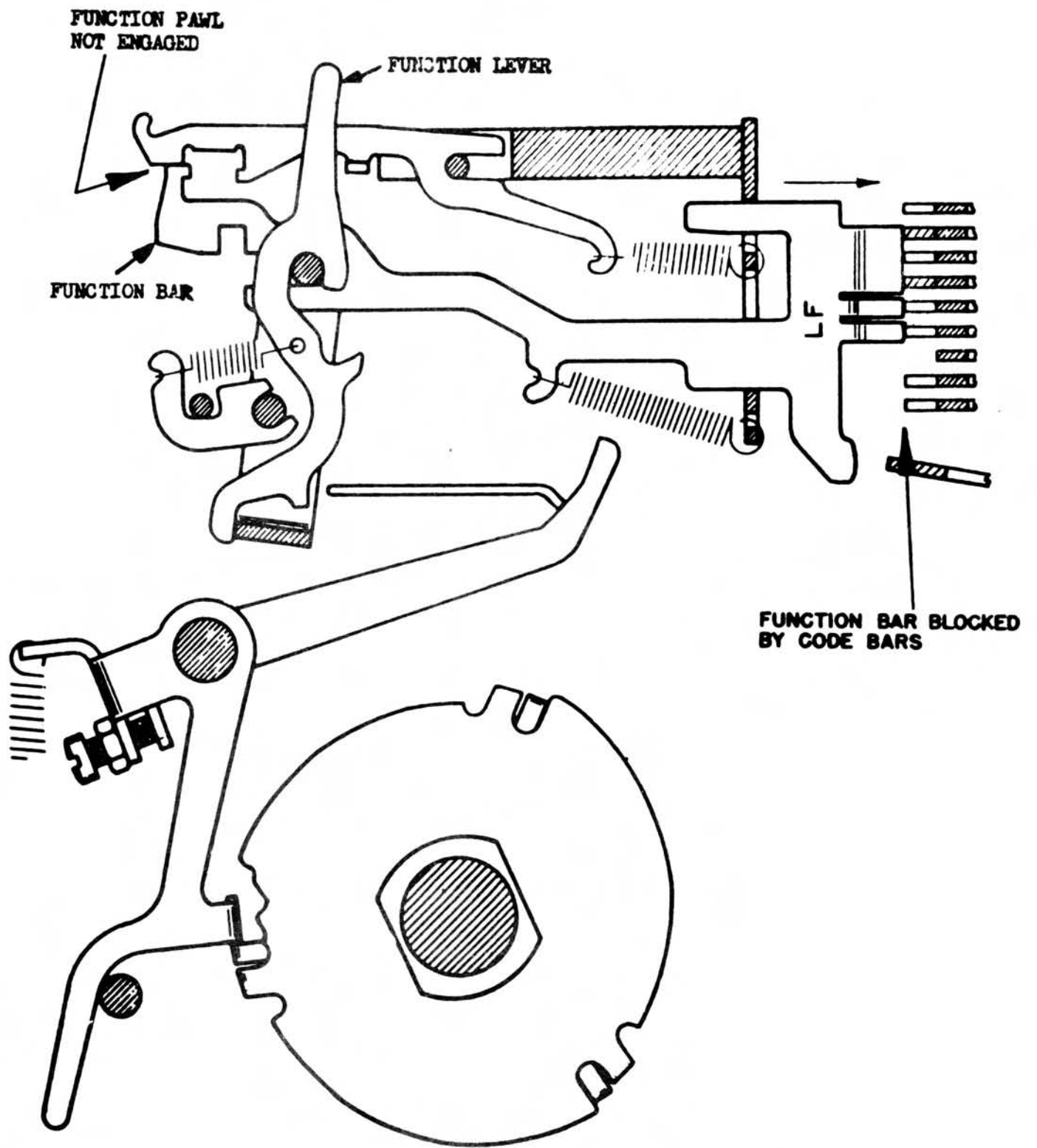


Fig. 10 - Operation of a Printer Function

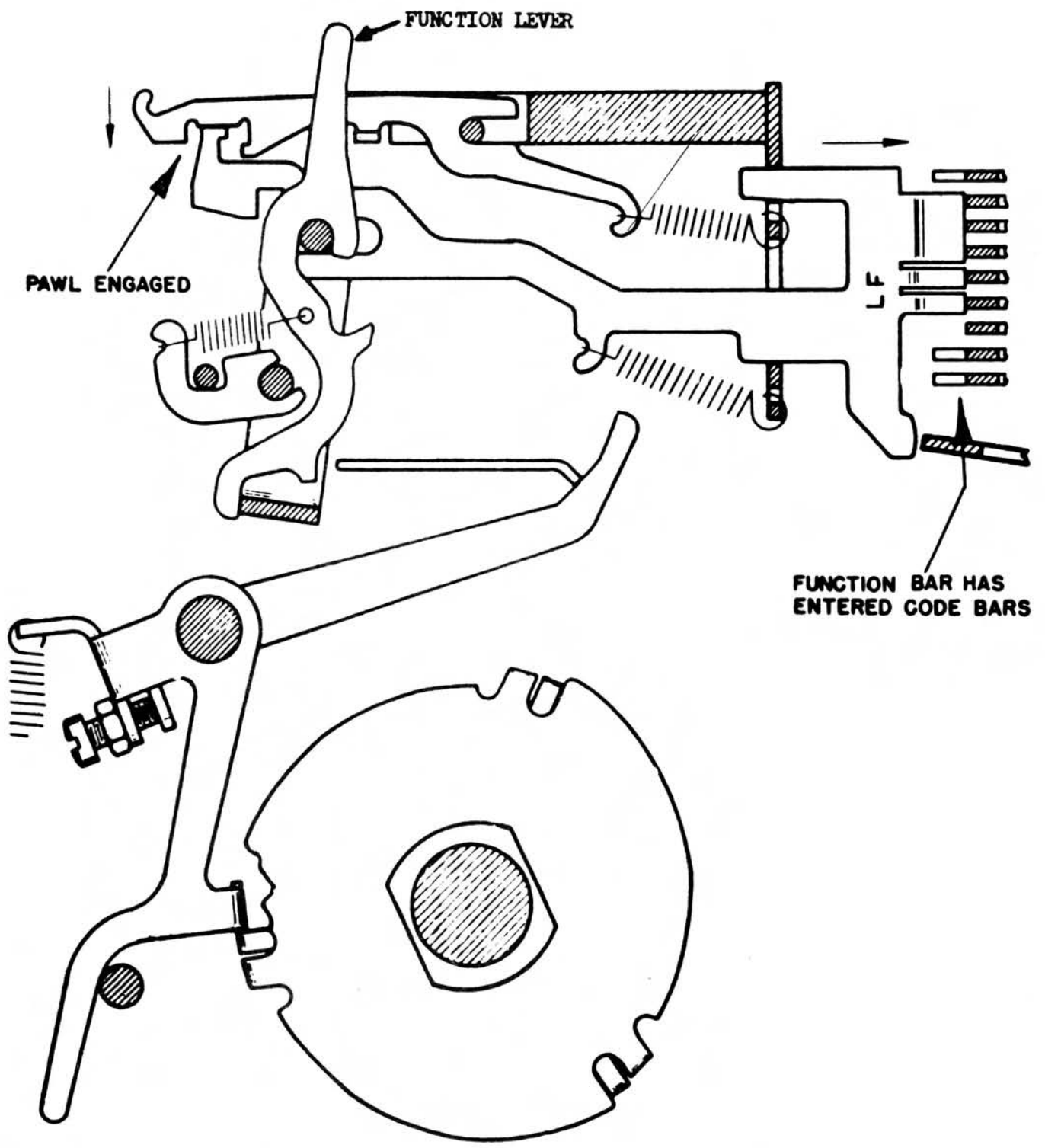


Fig. 11 - Operation of a Printer Function

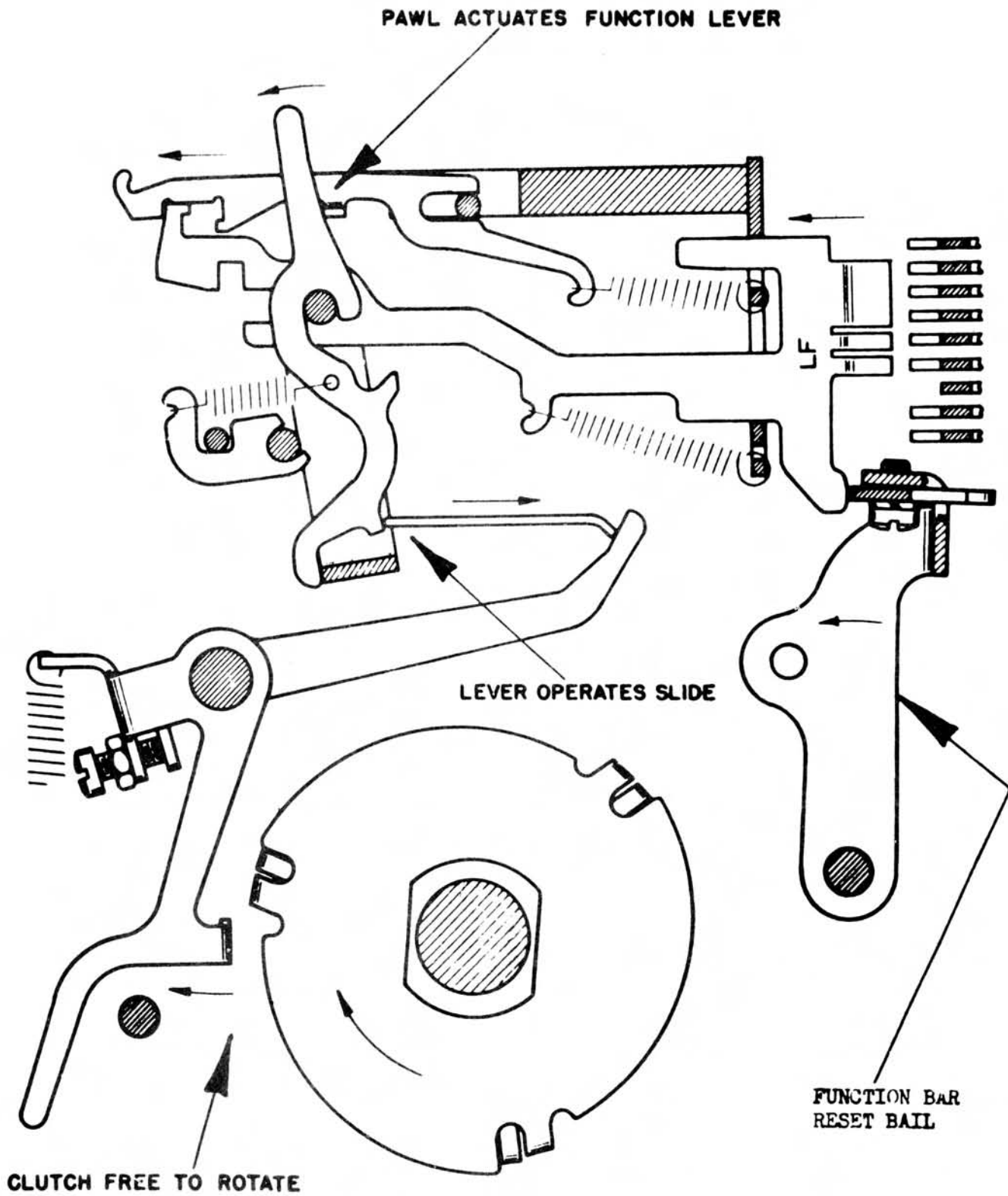


Fig. 12 - Operation of a Printer Function

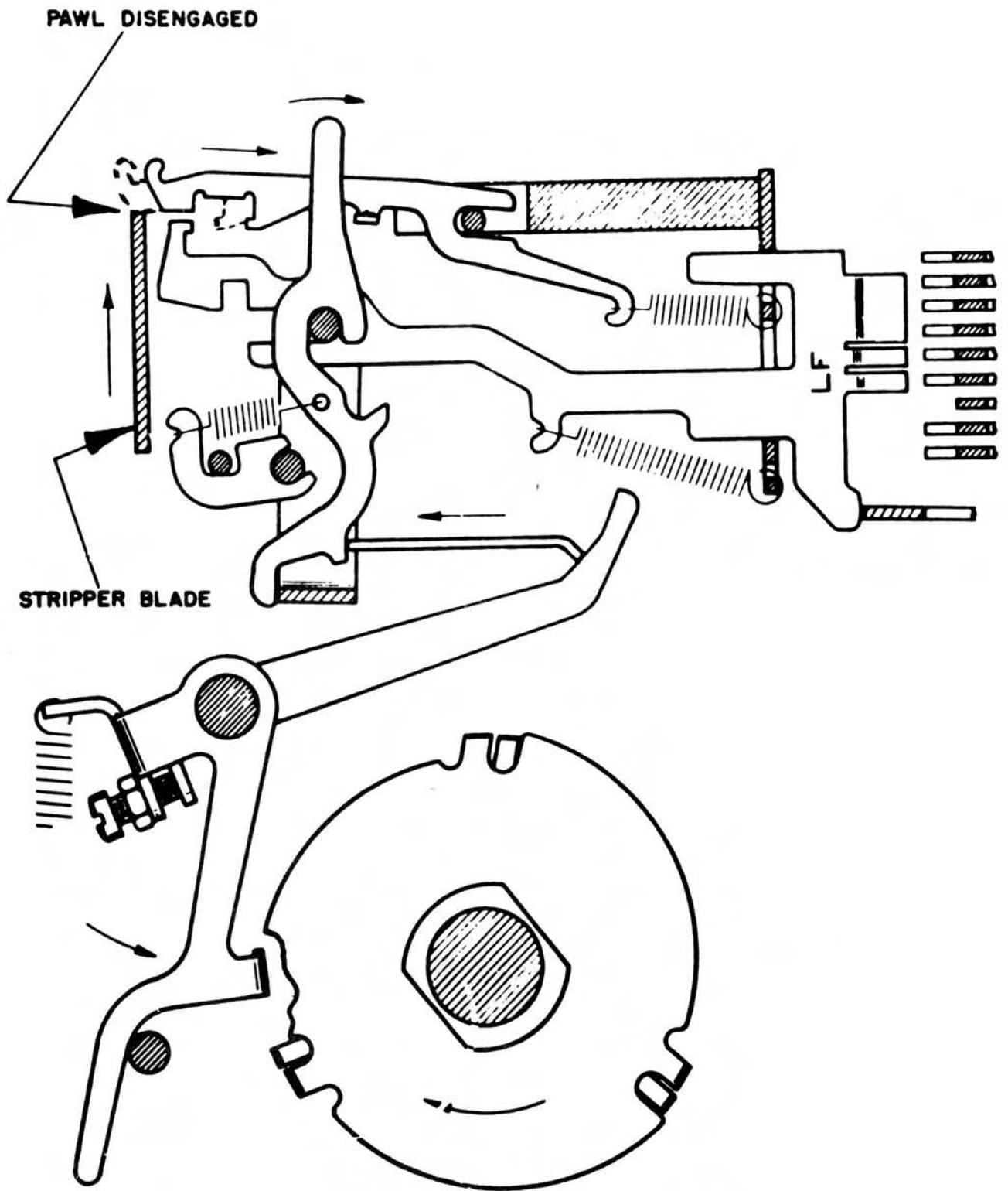


Fig. 13 - Operation of a Printer Function

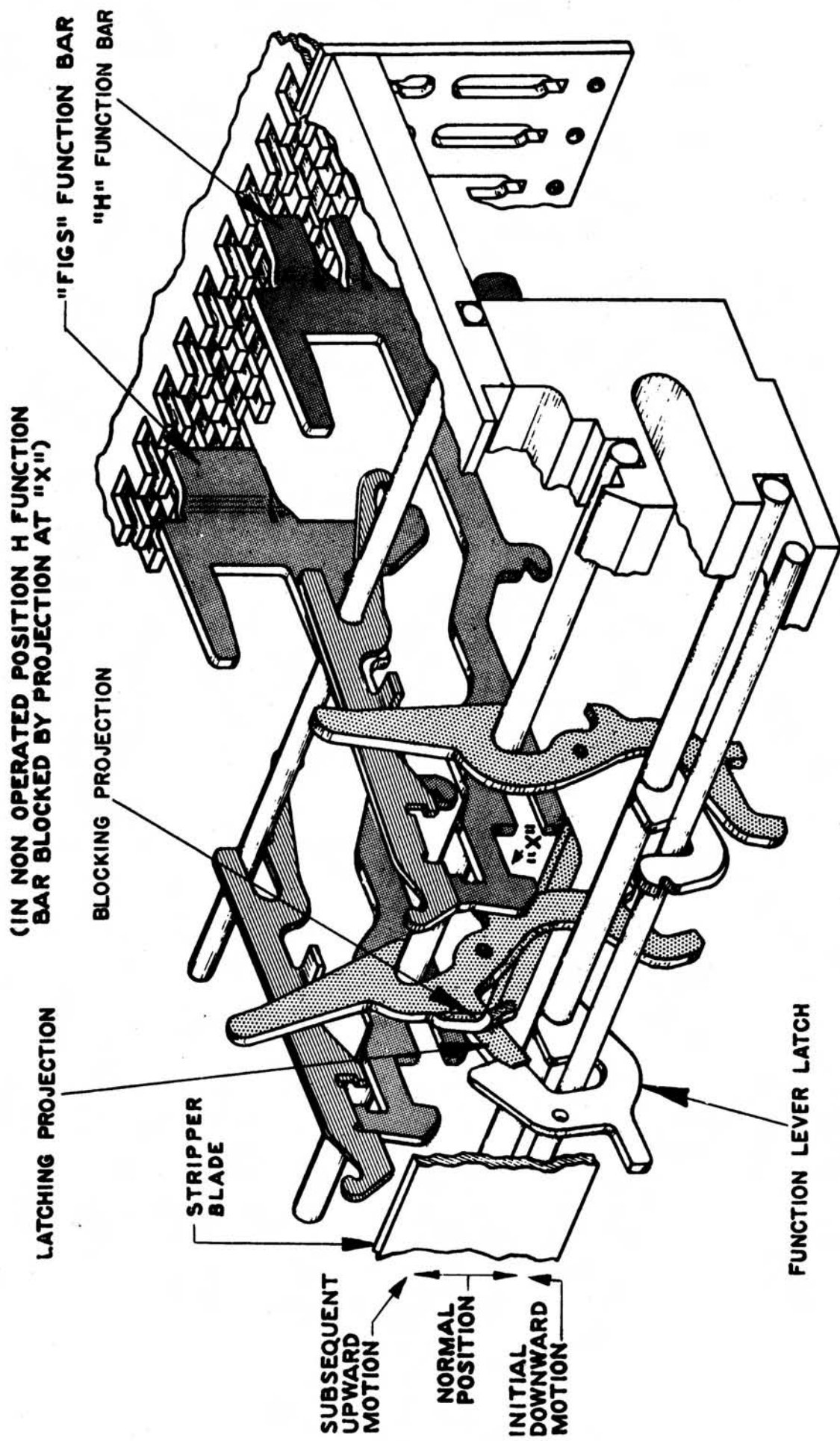


Fig. 14 - Sequential Selection of a Function

LEGEND

- ⊗ MAKE CONTACT - MOMENTARY CLOSURE
- + BREAK CONTACT - MOMENTARY OPEN
- ⊗ LH - LATCHED CLOSED, RELEASED BY FIGS M
- + LBH - LATCHED OPEN, RELEASED BY FIGS BLANK M

NOTES:

1. STUNTBX PARTS FOR MOTOR CONTROL PROVIDED ONLY WHEN SPECIFIED.
2. POSSIBLE LOCATION OF OPTIONAL CONTACT BLOCK.

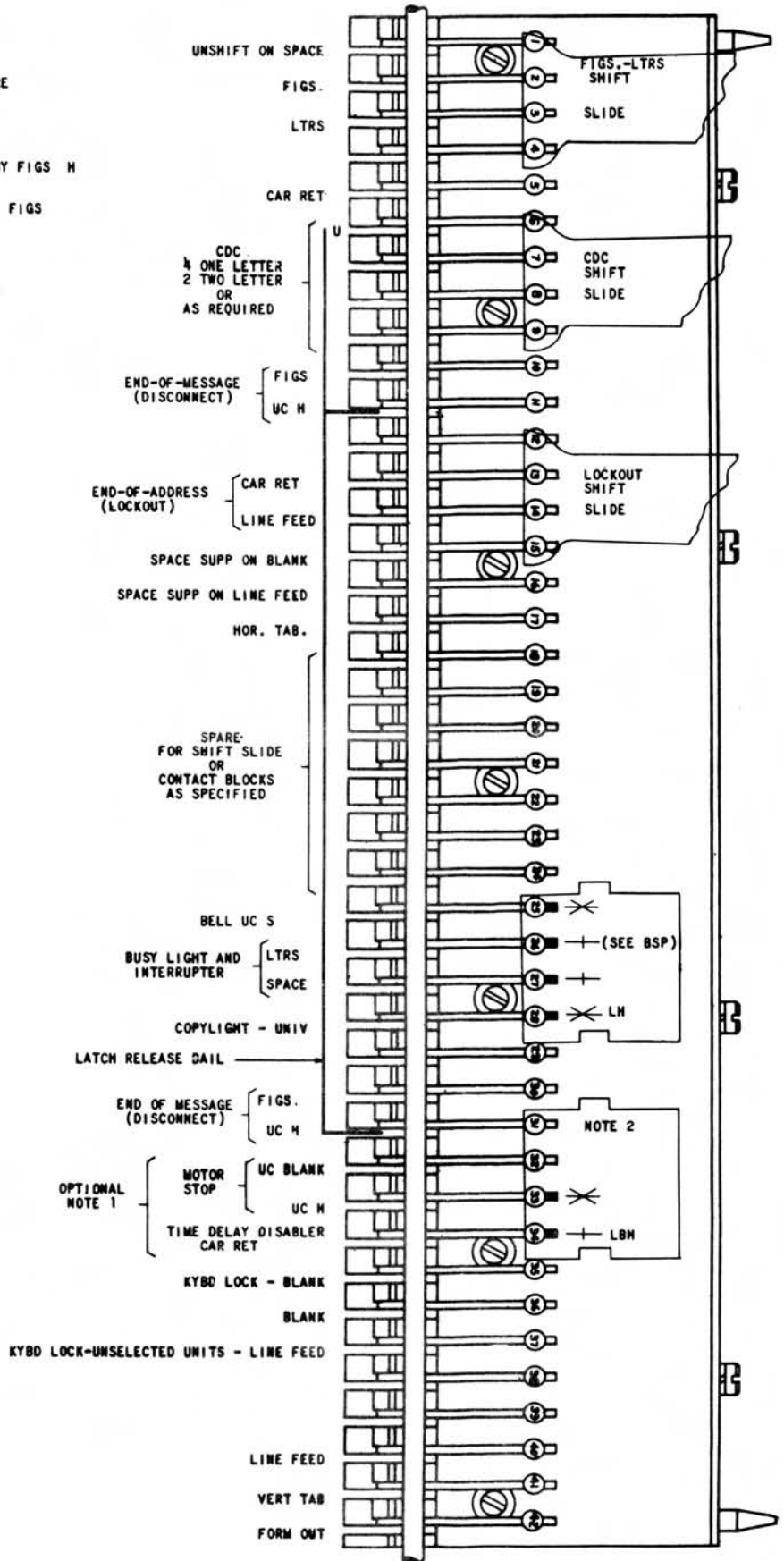


Fig. 15 - Slct and Contact Arrangement - AN Stuntbox TP152810