

43 TELEPRINTER 5-LEVEL PAPER TAPE MOTOR AREA

PARTS

1. GENERAL

1.01 This section provides information on maintenance spare parts for the 43 Teleprinter 5-Level Paper Tape Motor Area.

1.02 Whenever this section is reissued, the reason will be listed in this paragraph.

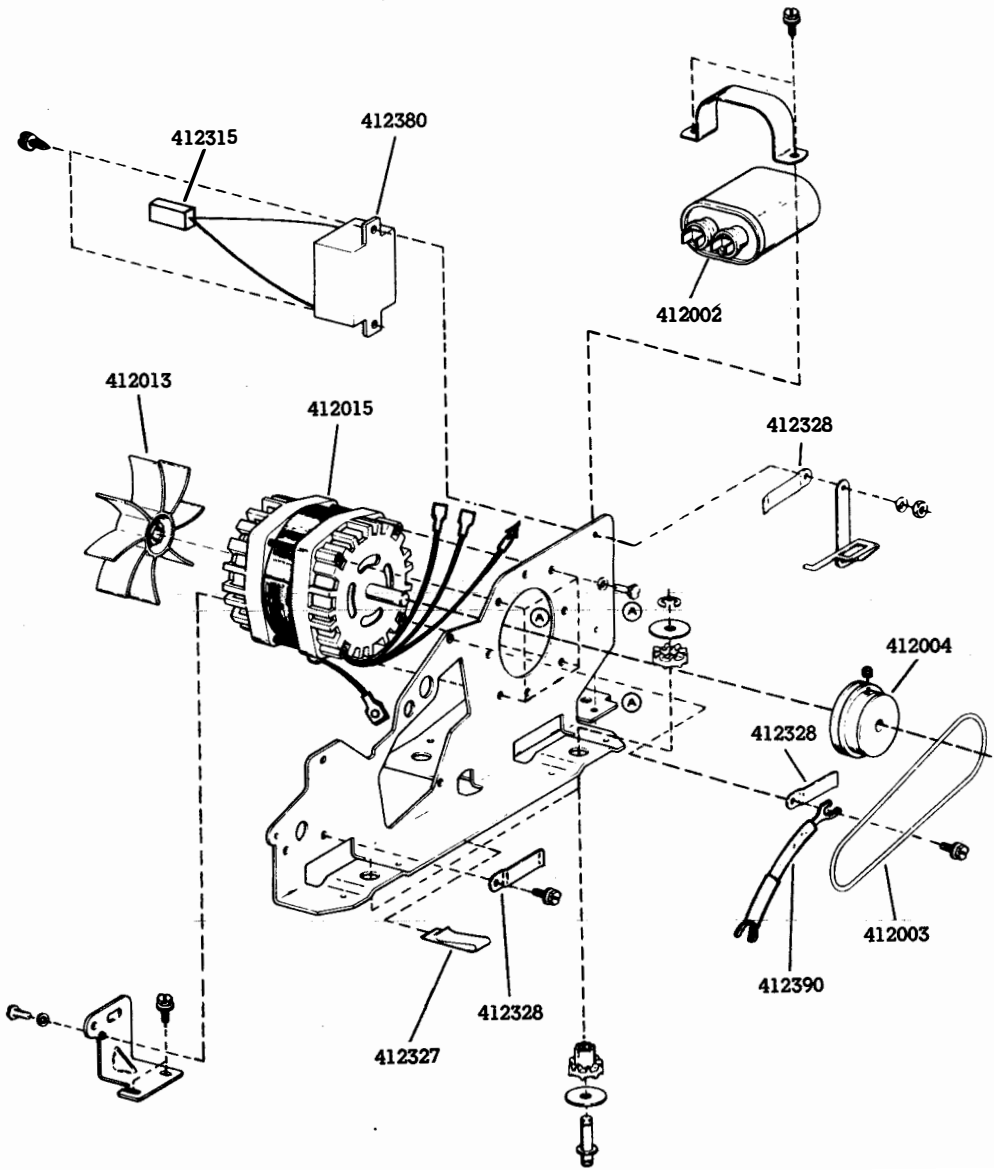
1.03 Part numbers are listed in the index in numerical order and indicate the page on which the parts appear. Asterisked numbers, stocked as "List 1", indicate a maintenance spare stocking ratio of one spare for the first 20 stations

and an additional spare for each additional 30 stations in a maintenance area. Part numbers without asterisks are not maintenance spares but may be ordered separately for local repair of the Paper Tape Unit.

1.04 When ordering replaceable parts or components, unless otherwise specified, prefix each part number with the letters "TP" (ie, TP410055).

1.05 Disassembly and reassembly information for these parts is provided in Section 574-507-720.

2. PARTS



Motor Area

## 3. NUMERICAL INDEX

3.01 Parts listed without asterisks are not maintenance spares but may be ordered as needed for local repair of major components or terminals.

Part Number	Description and Page Number	Part Number	Description and Page Number
412002	Capacitor 2	412315	Cable 2
*412003	"O" Ring Belt 2	412327	Cable Clamp 2
412004	Pulley 2	412328	Cable Clamp 2
412013	Fan 2	412380	Motor Control Relay 2
*412015	Motor 2	412390	Strap 2

\*A maintenance spare stocking ratio of one spare for the first 20 stations and one additional spare for each additional 30 stations in a maintenance area.