

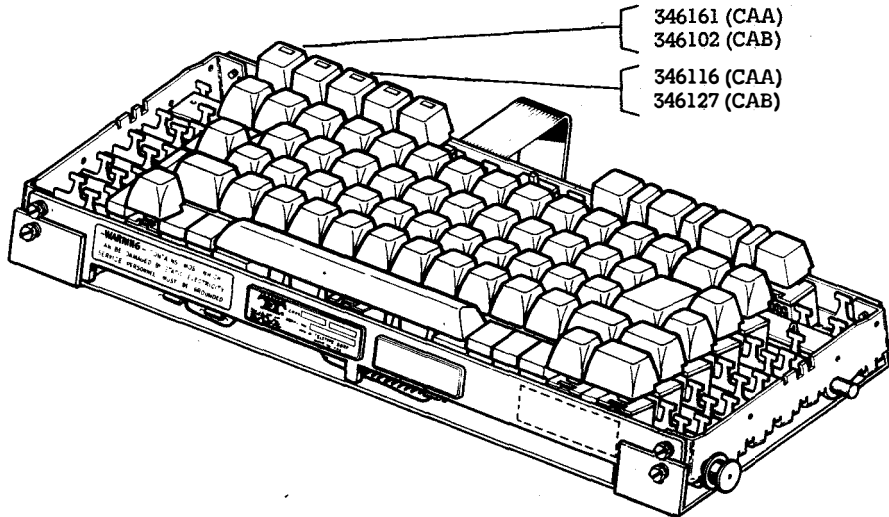
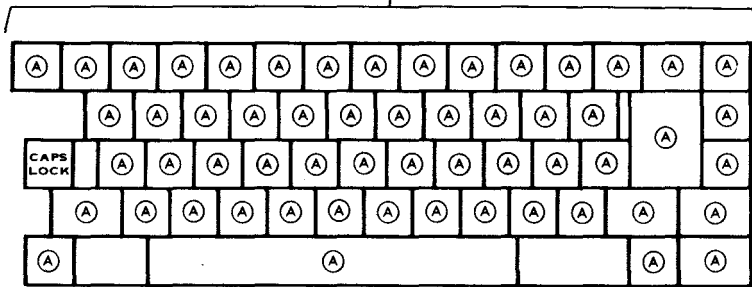
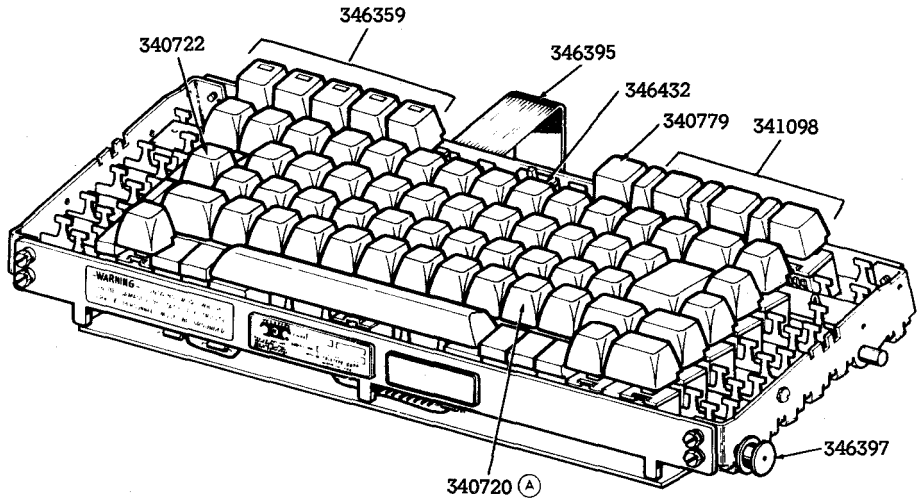
43 KEYBOARD 5- AND 8-LEVEL

PARTS

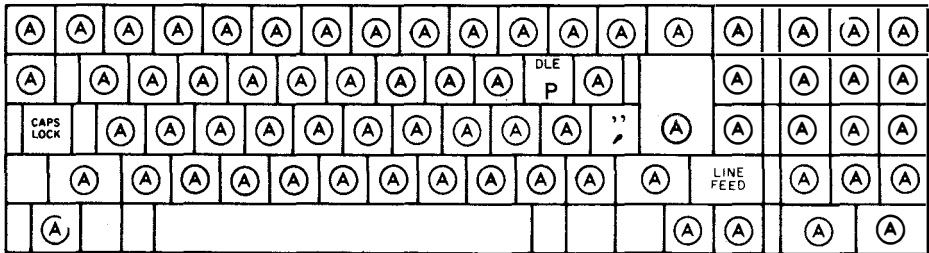
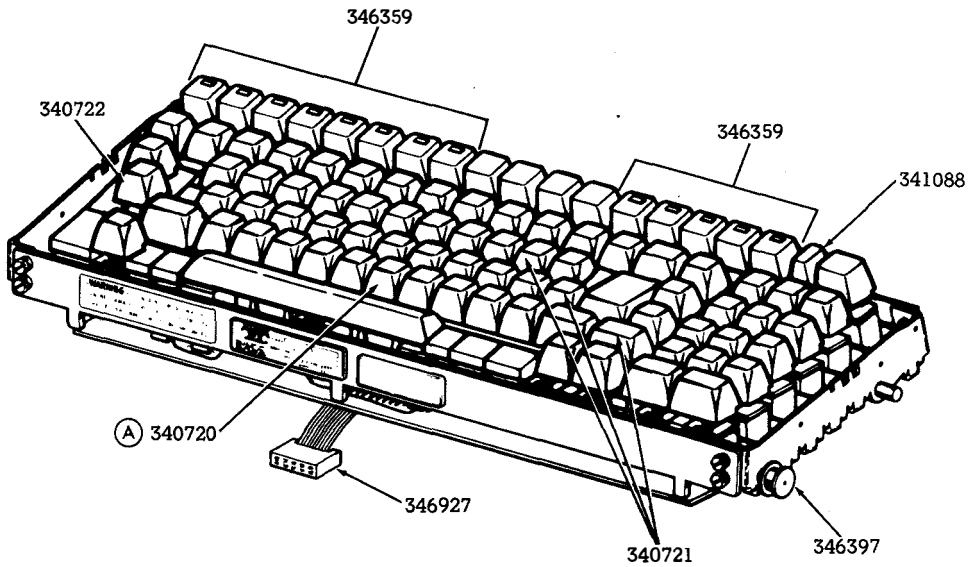
CONTENTS	PAGE	
1. GENERAL .....	1	1.03 When ordering replaceable components, unless otherwise specified, prefix each part number with the letters "TP" (ie, TP430722). Before ordering, verify that a particular spare is applicable to the type of keyboard in service.
2. PARTS .....	2	
3. NUMERICAL INDEX.....	4	1.04 Troubleshooting information for these parts is provided in Section 574-502-300 for the basic keyboard and Section 574-502-301 for the buffered keyboard.
1. GENERAL		
1.01 The parts in this section are used in the 43 Keyboards.		1.05 Disassembly/reassembly information for all keyboards is provided in Section 574-502-720.
1.02 This section is reissued to redefine the parts listing and to add the 43K103/CAA and CAB (unitized) and the 43K202/GAB, GAF and GAG (buffered) keyboards.		1.06 Parts for the unitized keyboards 43K103/CAA and CAB are not shown since these keyboards are not field servicable.

2. PARTS

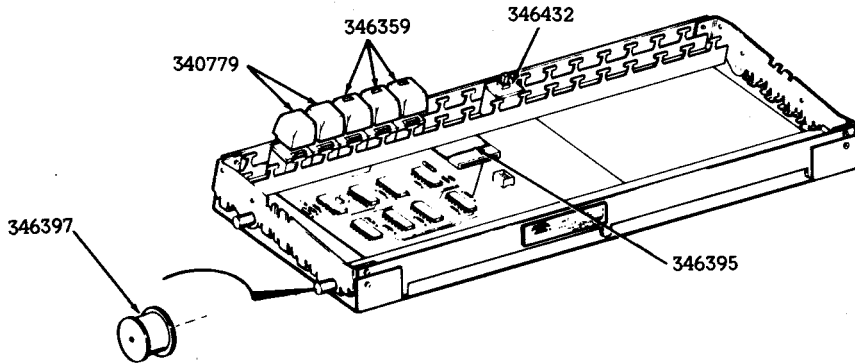
KSR Keyboard — 43K101/CAA and CAB



BSC or BSR (5-and 8-Level) Keyboards -- 43K202/GAB, GAF and GAG



## RO Keyboard — 43K001/AAA



## 3. NUMERICAL INDEX

3.01 Parts listed are not maintenance spares but may be ordered separately for local repair of the keyboard.

<u>Part Number</u>	<u>Description and Page Number</u>	<u>Part Number</u>	<u>Description and Page Number</u>
340720	Keyswitch 2, 3	346127	Keytop 2
340721	Keyswitch 3	346161	Keytop 2
340722	Keyswitch 2, 3	346359	Keyswitch 2, 3, 4
340779	Keyswitch 2, 4	346395	Cable 2, 4
341088	Spacer 3	346397	Bushing 2, 4
341098	Keyswitch 2	346432	Keyswitch 2, 4
346102	Keytop 2	346927	Cable 3
346116	Keytop 2		