

28 DISTRIBUTOR

LUBRICATION

CONTENTS	PAGE
1. GENERAL.....	1
2. PARTS TO BE LUBRICATED.....	2
Base gears	7
Cam shaft and clutch assembly.....	6
Clutch and gear assemblies — rear ...	3, 4
Clutch trip magnet mechanism.....	5
Clutch trip magnet mechanism —	
right side	3, 4
Contact lever and cam sleeve	
assemblies	2, 3
Contact lever assembly	6

1. GENERAL

1.01 This section contains the detailed lubrication procedures for the 28 distributor unit. This section and the general lubrication section give the complete information for lubricating the unit.

1.02 This section is reissued to add the specific lubrication procedures for the 28 distributor designed to operate at 60, 75, and 100 words per minute with provisions to accept

6-, 7-, and 8-level codes. The section is also reissued to bring other information generally up to date.

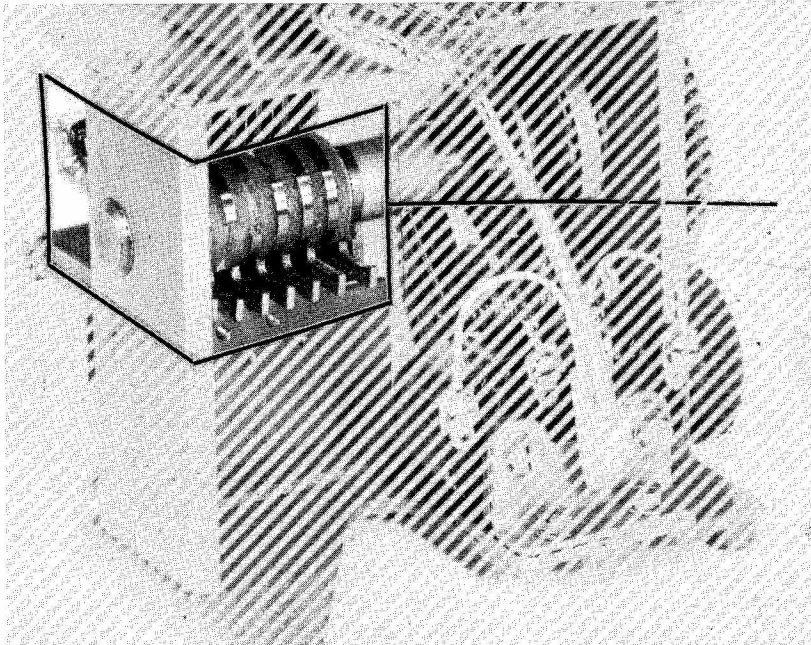
1.03 The lubricants to be used and their methods of application are those given in the general lubrication section. The lubrication symbols used in this section are the same as those given in the general section, except that in this section the symbol O is used to mean only one drop of oil. The symbol O2 is used to specify two drops of oil.

1.04 Lubrication of the distributor before it is placed in service should be governed by the instructions given in the section covering the preparation of teletypewriter apparatus for installation. After a few weeks in operation, the unit should ordinarily be relubricated to make sure that all the specified points have received lubricant. Thereafter, because of the varying conditions at each station, the distributor should be lubricated as often as specified by local instructions. The following is suggested as a guide for use under normal operating conditions: Lubricate the distributor every 500 hours of operation or every six months, whichever occurs first.

2. PARTS TO BE LUBRICATED

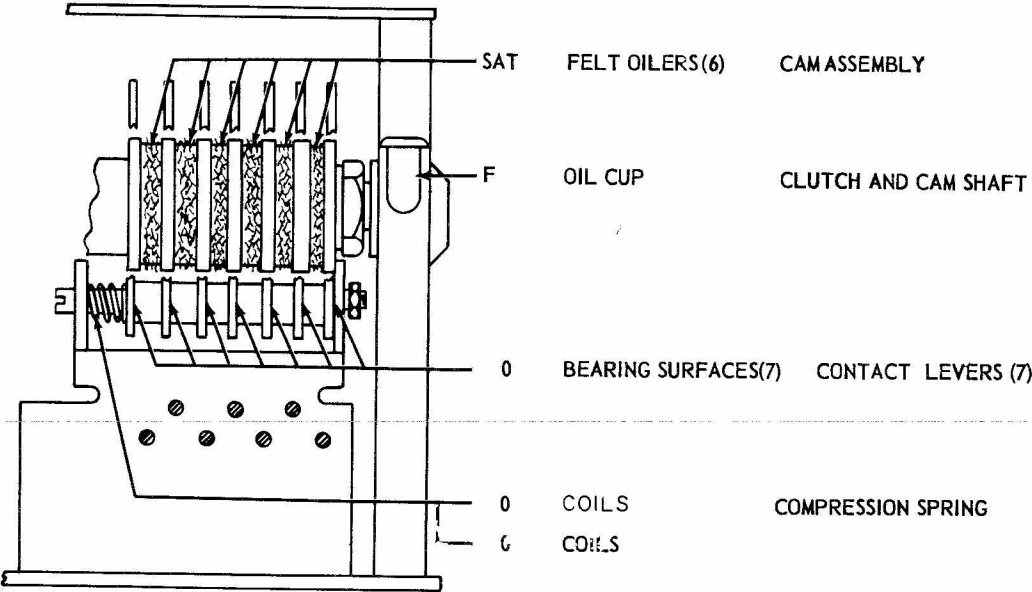
2.01 28 Distributor -- Front

Note: Where a unit has a cam sleeve assembly with an oil hole, lubricate the felt wick of the main shaft by applying oil through the oil hole. Where a unit has a cam sleeve assembly without an oil hole, remove the main shaft and apply oil to the felt wick.

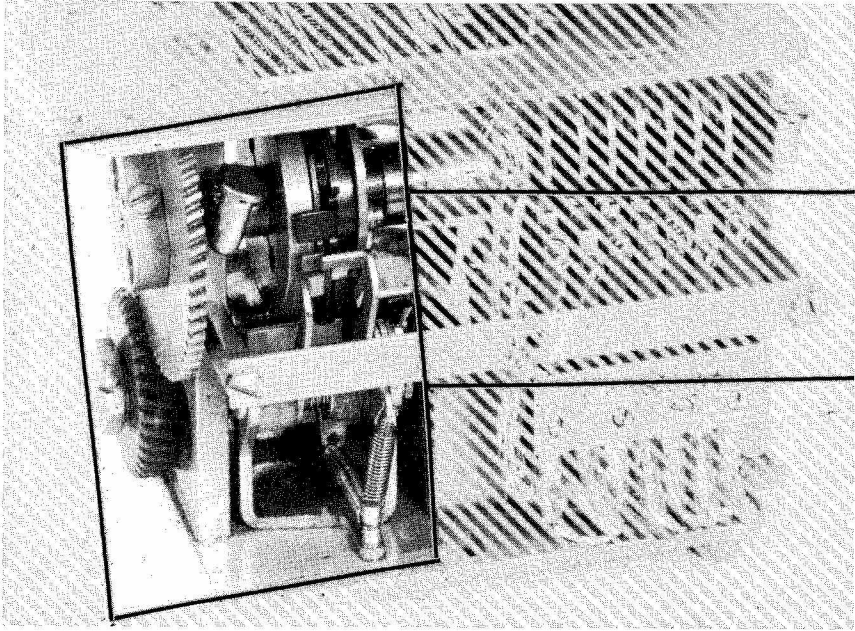


**CONTACT LEVER
AND CAMSLEEVE
ASSEMBLIES**

2.02 Contact Lever and Cam Sleeve Assemblies - Rear



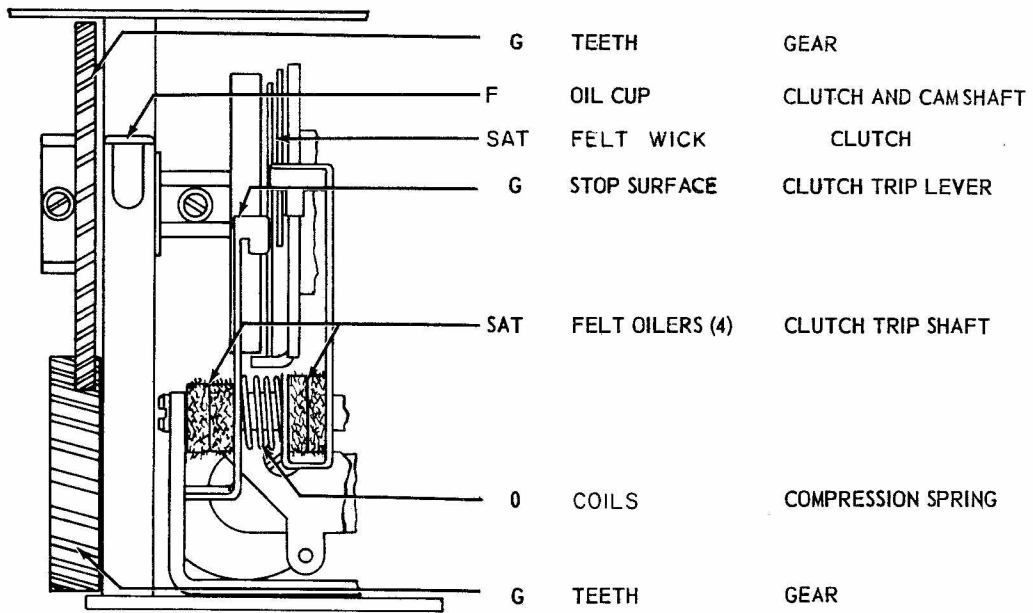
2.03 28 Distributor - Rear



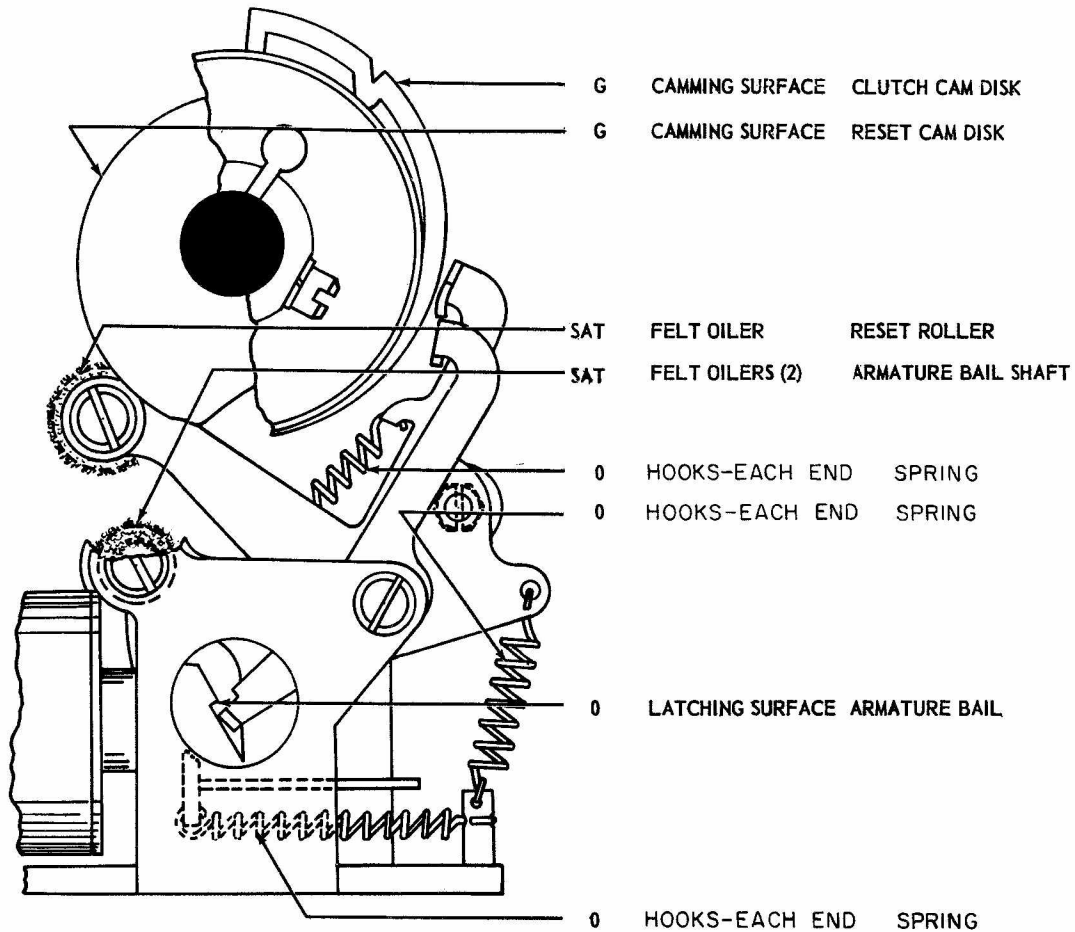
CLUTCH AND GEAR ASSEMBLIES

CLUTCH TRIP MAGNET MECHANISM

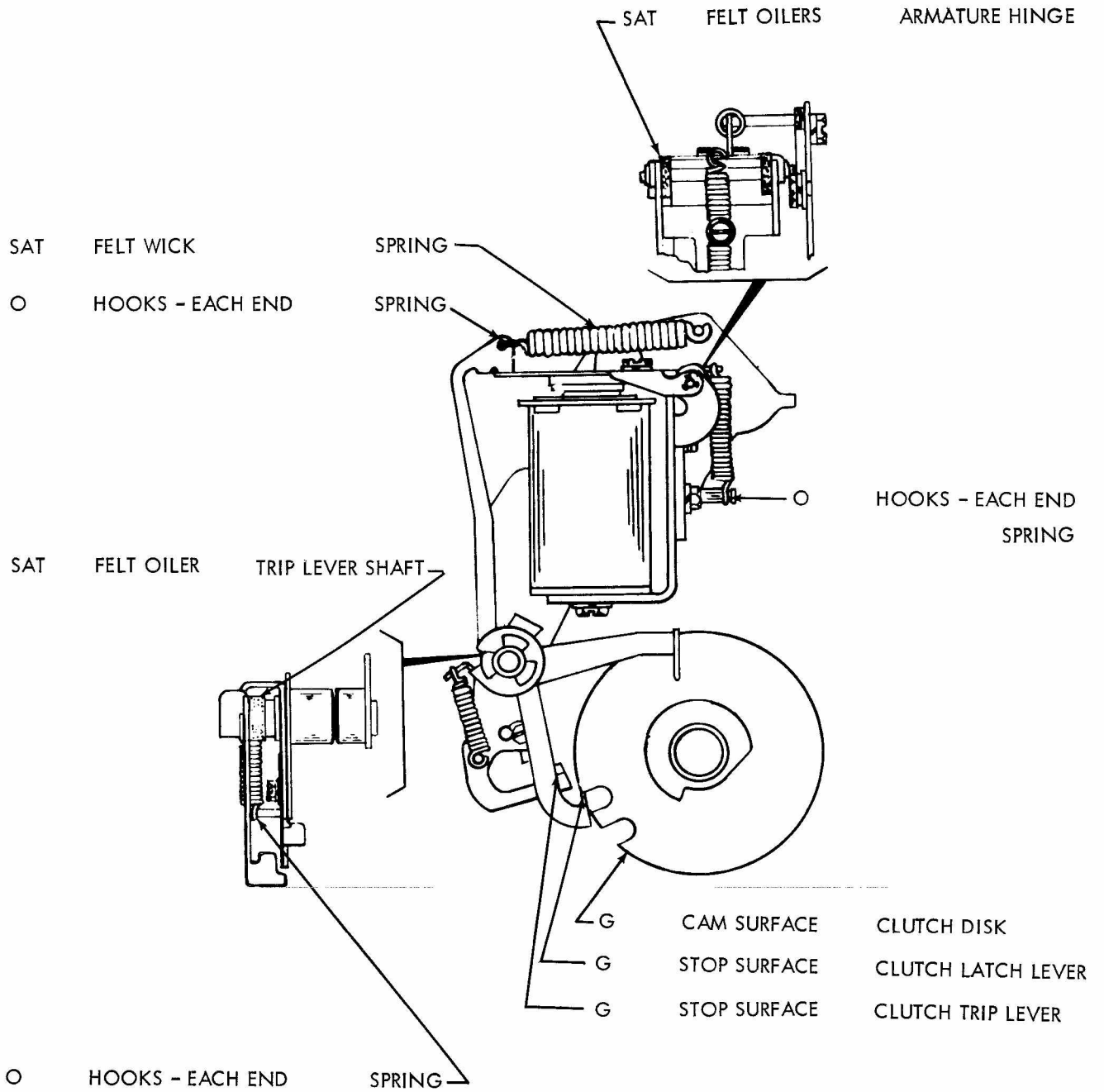
2.04 Clutch and Gear Assemblies - Rear



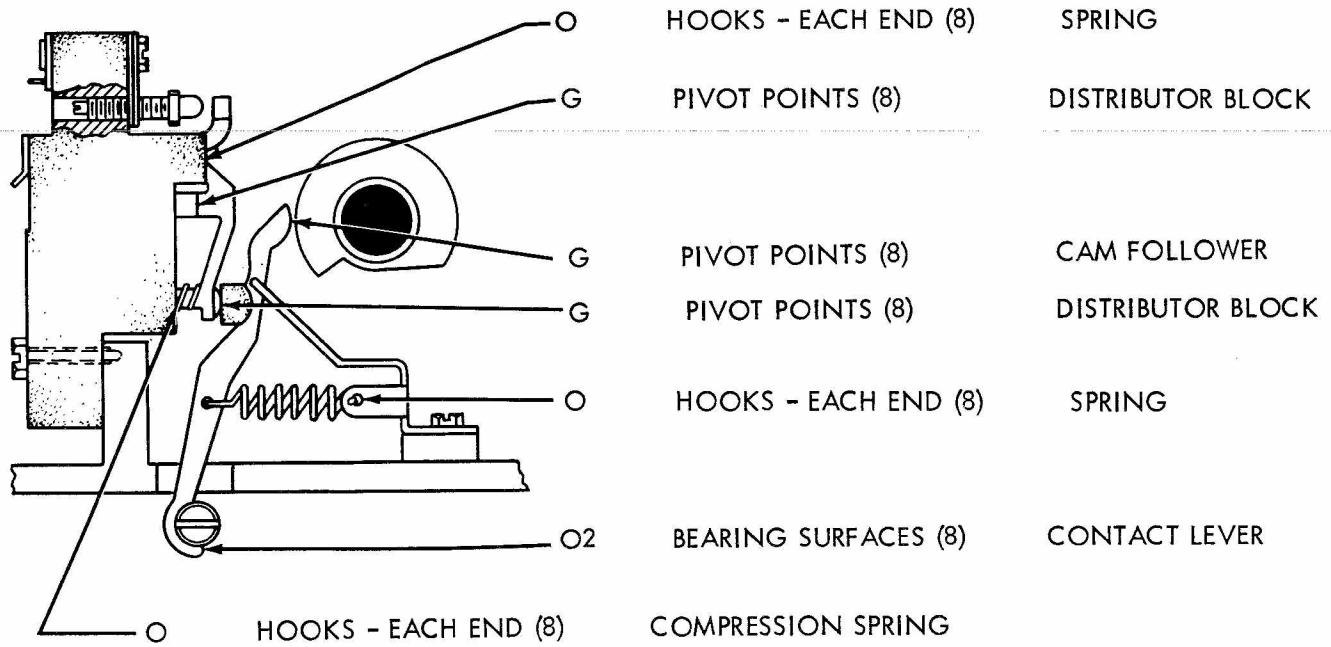
2.05 Clutch Trip-magnet Mechanism - Right Side



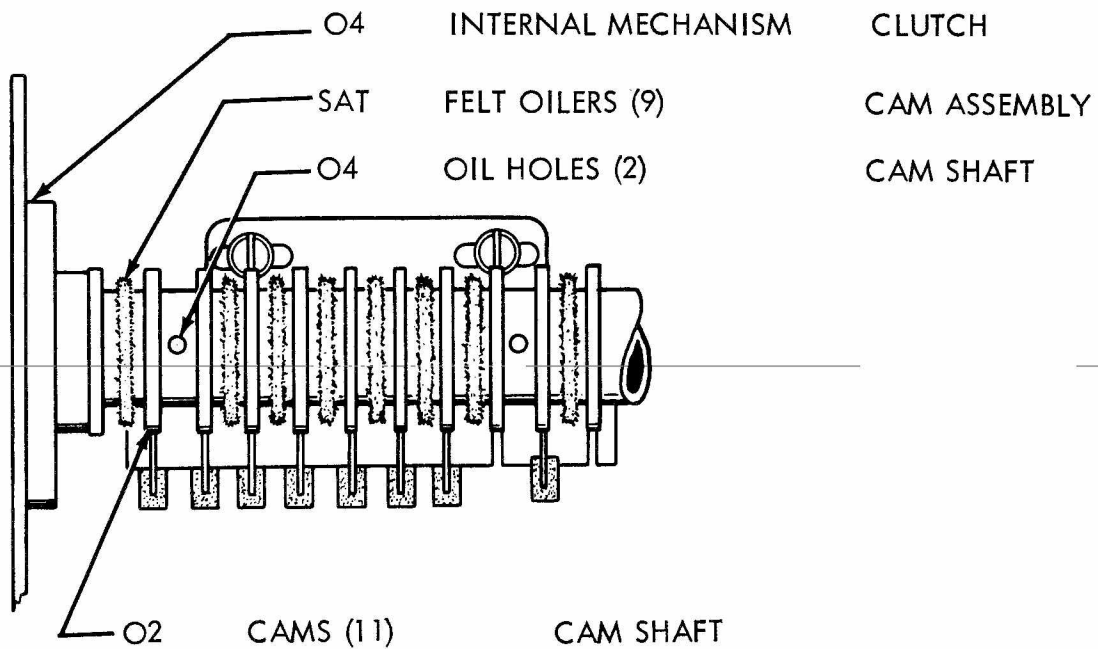
2.06 Clutch Trip-magnet Mechanism



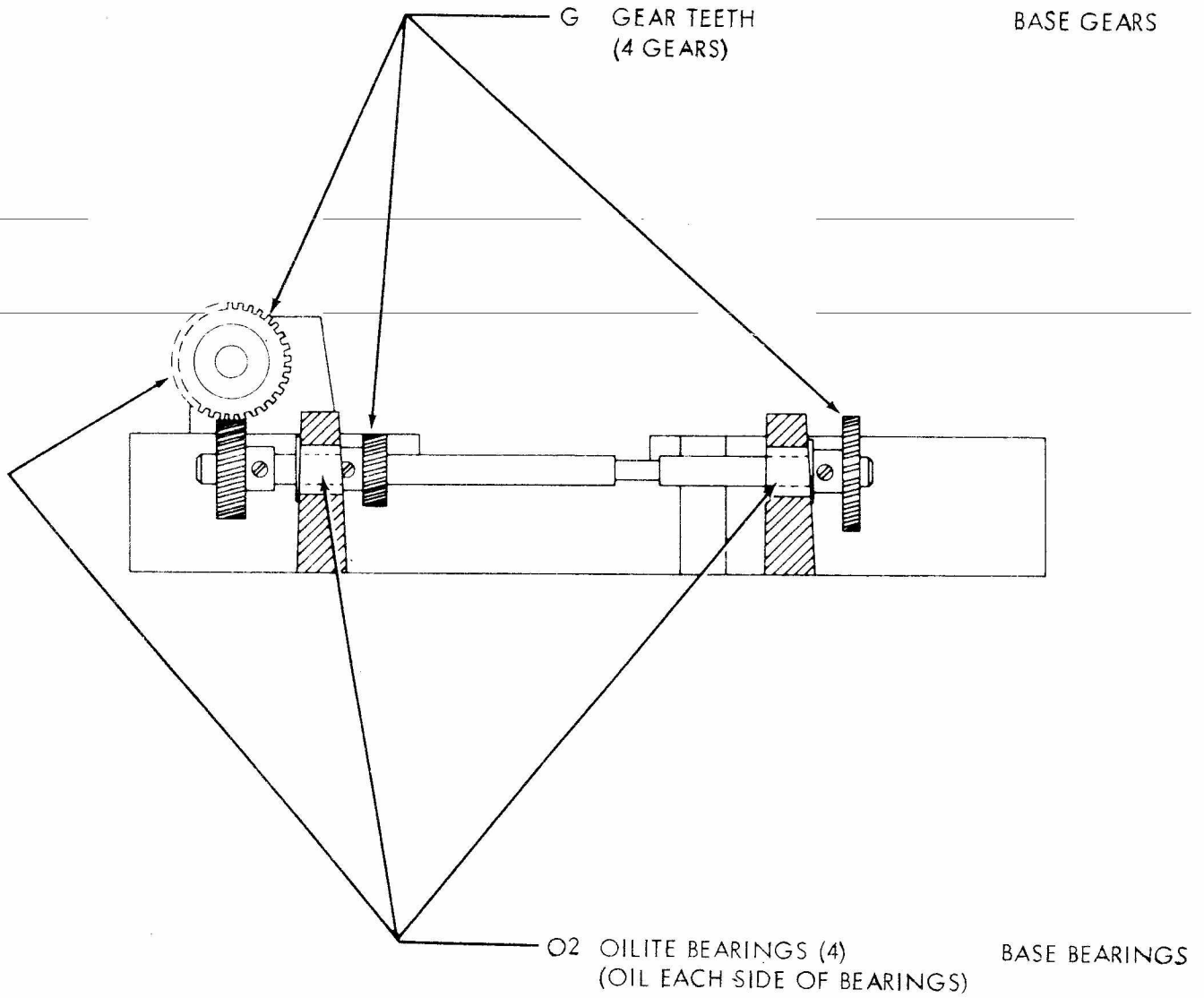
2.07 Contact Lever Assembly



2.08 Cam Shaft and Clutch Assembly



2.09 Base Gears



(

(

)

(

)

(

)

)