

28 TRANSMITTER DISTRIBUTOR UNITS (LAXD, LCXD)

LUBRICATION

CONTENTS	PAGE
1. GENERAL. . . . .	1
2. LUBRICATION. . . . .	2
Cam sleeve assemblies . . . . .	5
Check pawl and feed wheel . . . . .	6
Clutch assemblies . . . . .	5
Clutch trip assemblies . . . . .	2
Distributor block assembly . . . . .	4
Feed mechanism . . . . .	10
Fixed sensing mechanism . . . . .	11
Oil reservoir assembly . . . . .	7
Pivoted sensing head . . . . .	6
Sensing mechanism. . . . .	8
Storing switch assemblies . . . . .	3
Tape lid and tape guide . . . . .	14
Tape-out and tape lid mechanism . . . . .	15
Tight-tape sensing mechanism . . . . .	14

1. GENERAL

1.01 This section provides lubrication information for the 5-level, 28 transmitter distributor units (LAXD, LCXD).

**CAUTION: THE UNIT IS SHIPPED WITH THE OIL RESERVOIR EMPTY. REMOVE COVER PLATE FOR ACCESS AND FILL OIL RESERVOIR AS INDICATED IN 2.08, OIL RESERVOIR ASSEMBLY.**

1.02 In this section, the general areas of the unit are shown by photographs. The specific points of lubrication are indicated by line drawings and descriptive text. The symbols in the text indicate the following directions:

<u>Symbol</u>	<u>Meaning</u>
O1	Apply one drop of oil.
O2	Apply two drops of oil, etc.
G	Apply thin coat of grease.
SAT	Saturate with oil (felt washers, oilers, etc).

1.03 Use KS7470 oil and KS7471 grease at all locations and surfaces indicated.

1.04 The units should be thoroughly lubricated, but over-lubrication which allows oil to drip or grease to be thrown on other parts, must be avoided. Exercise special care to prevent lubricant from getting between armature and pole faces. Keep all electrical contacts free from oil or grease.

1.05 The following general instructions supplement the specific lubricating points illustrated in this section.

- (a) Apply one drop of oil to all spring hooks.
- (b) Apply a light film of oil to all cam surfaces.
- (c) Apply a coat of grease to all gears.
- (d) Saturate all felt washers, oilers, etc.
- (e) Apply oil to all pivot points.
- (f) Apply oil to all sliding surfaces.

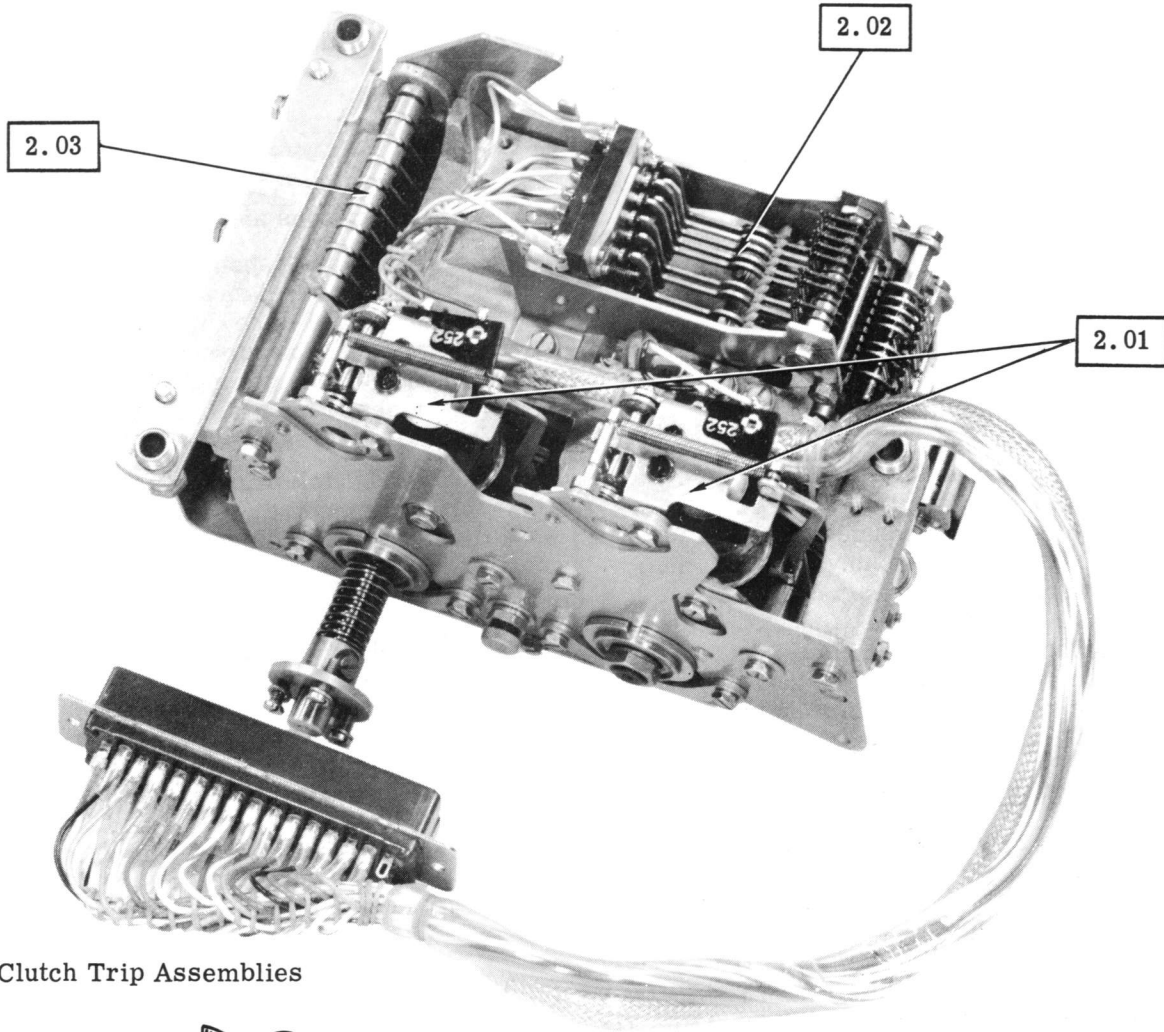
1.06 The transmitter distributor units should be lubricated before being placed in service or prior to storage. After a few weeks of service, relubricate to make certain that all specified points have received lubricant. Thereafter, the following schedule should be adhered to:

<u>Operating Speed</u>	<u>Lubrication Interval</u>
60 wpm	3000 hours or 1 year*
75 wpm	2400 hours or 9 months*
100 wpm	1500 hours or 6 months*

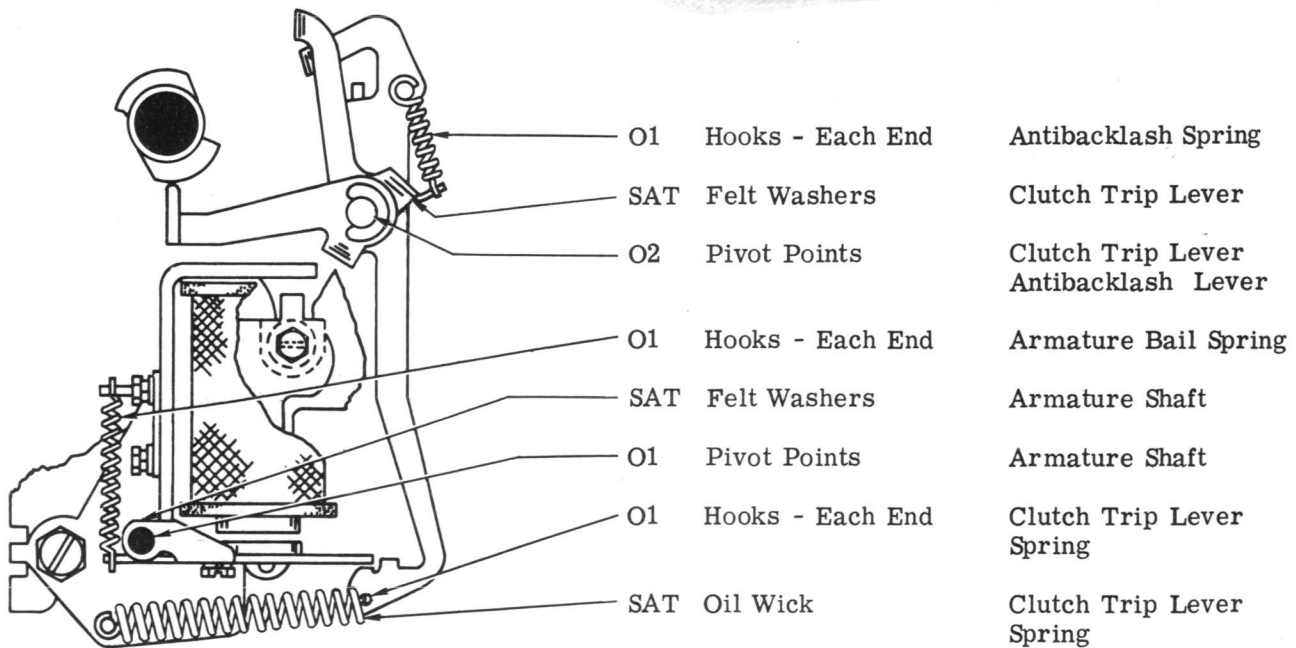
\*Whichever occurs first.

1.07 For information pertaining to lubrication of associated parts, ie, motors, bases, etc, refer to appropriate sections.

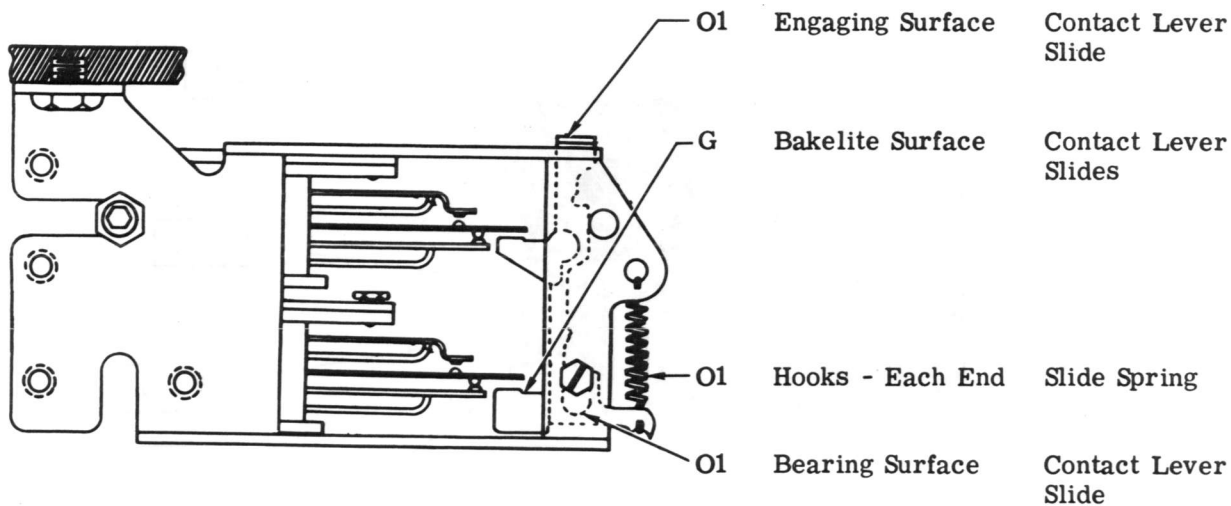
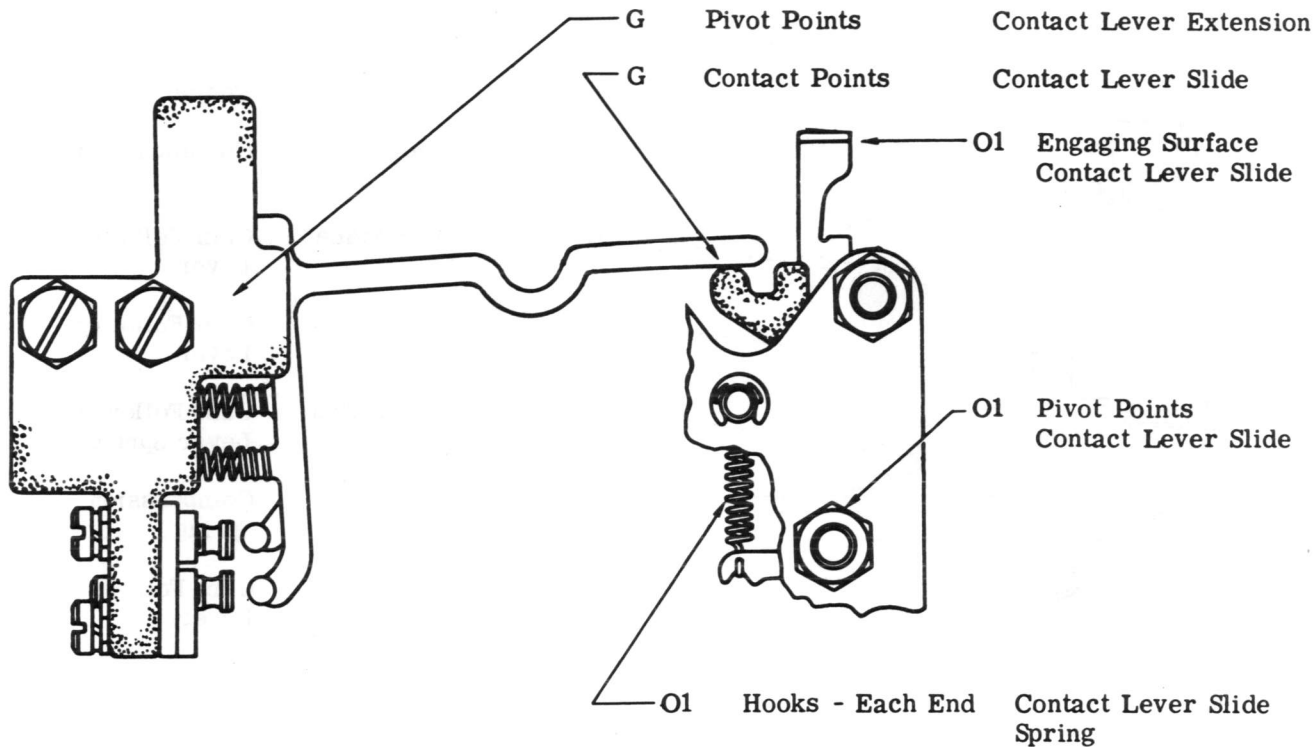
2. LUBRICATION



2.01 Clutch Trip Assemblies

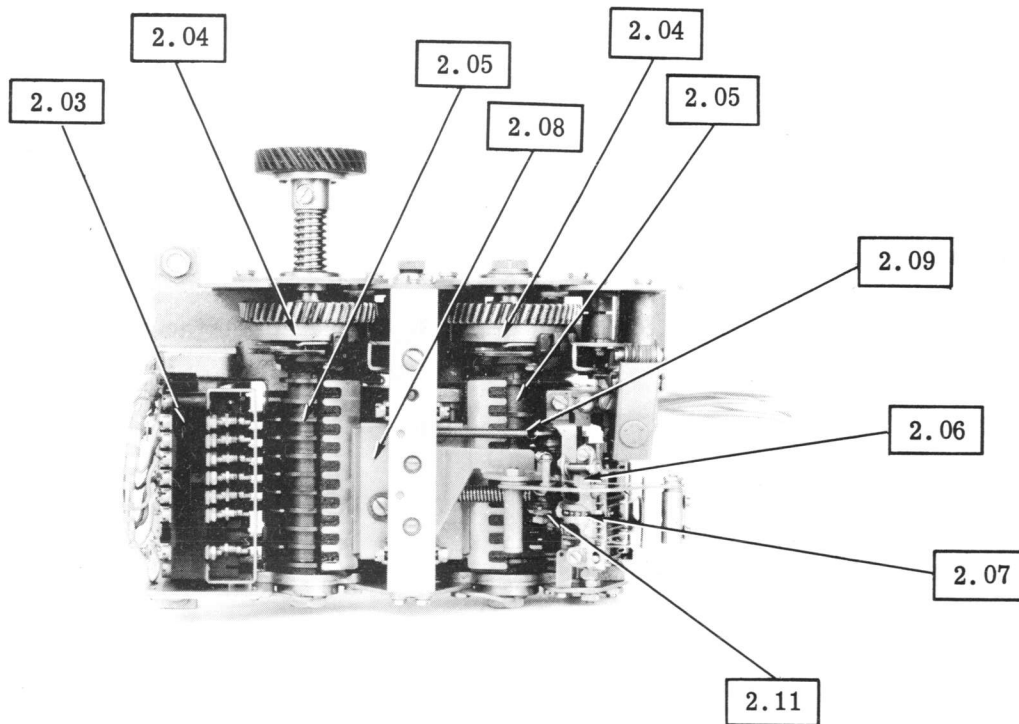
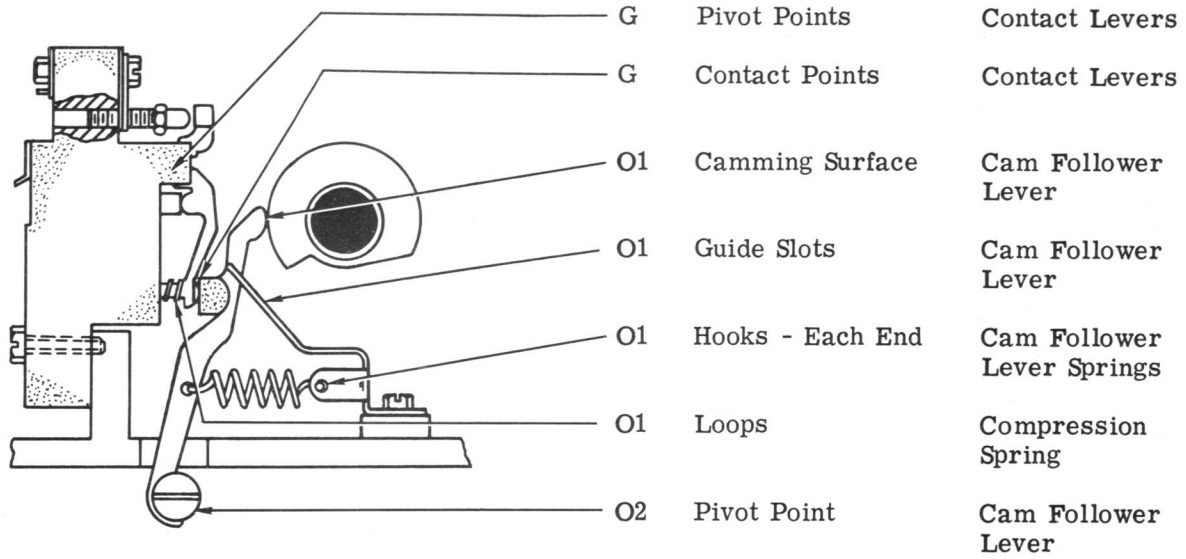


2.02 Storing Switch Assemblies

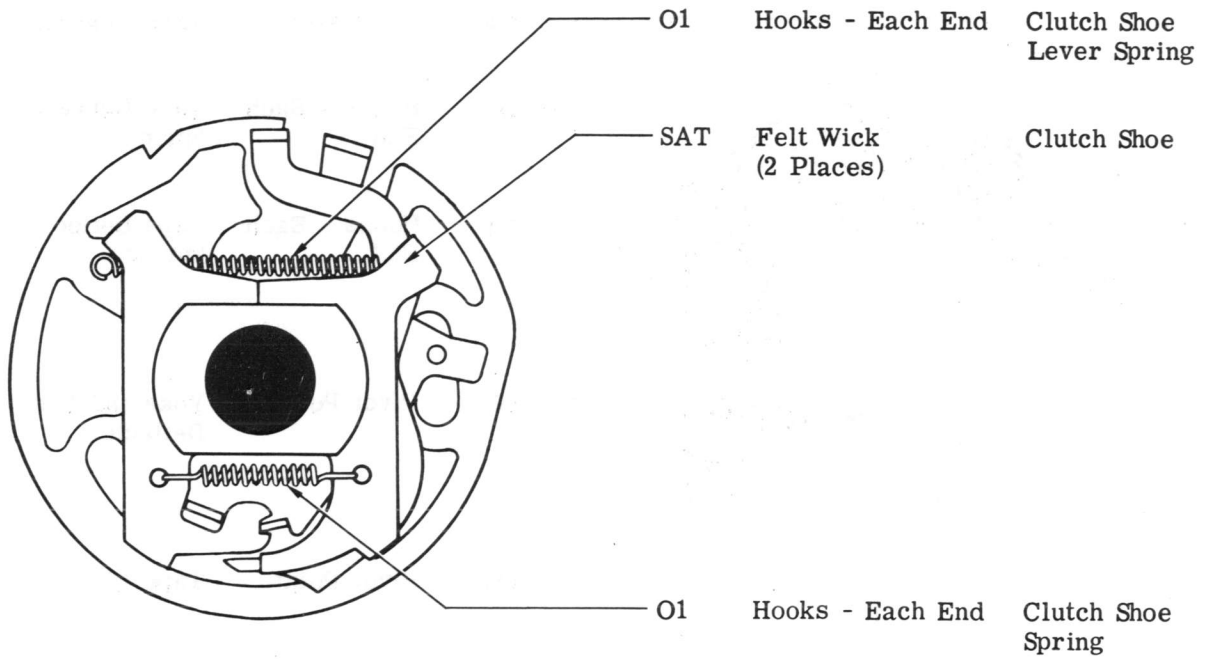


Note: Keep contacts free of grease.

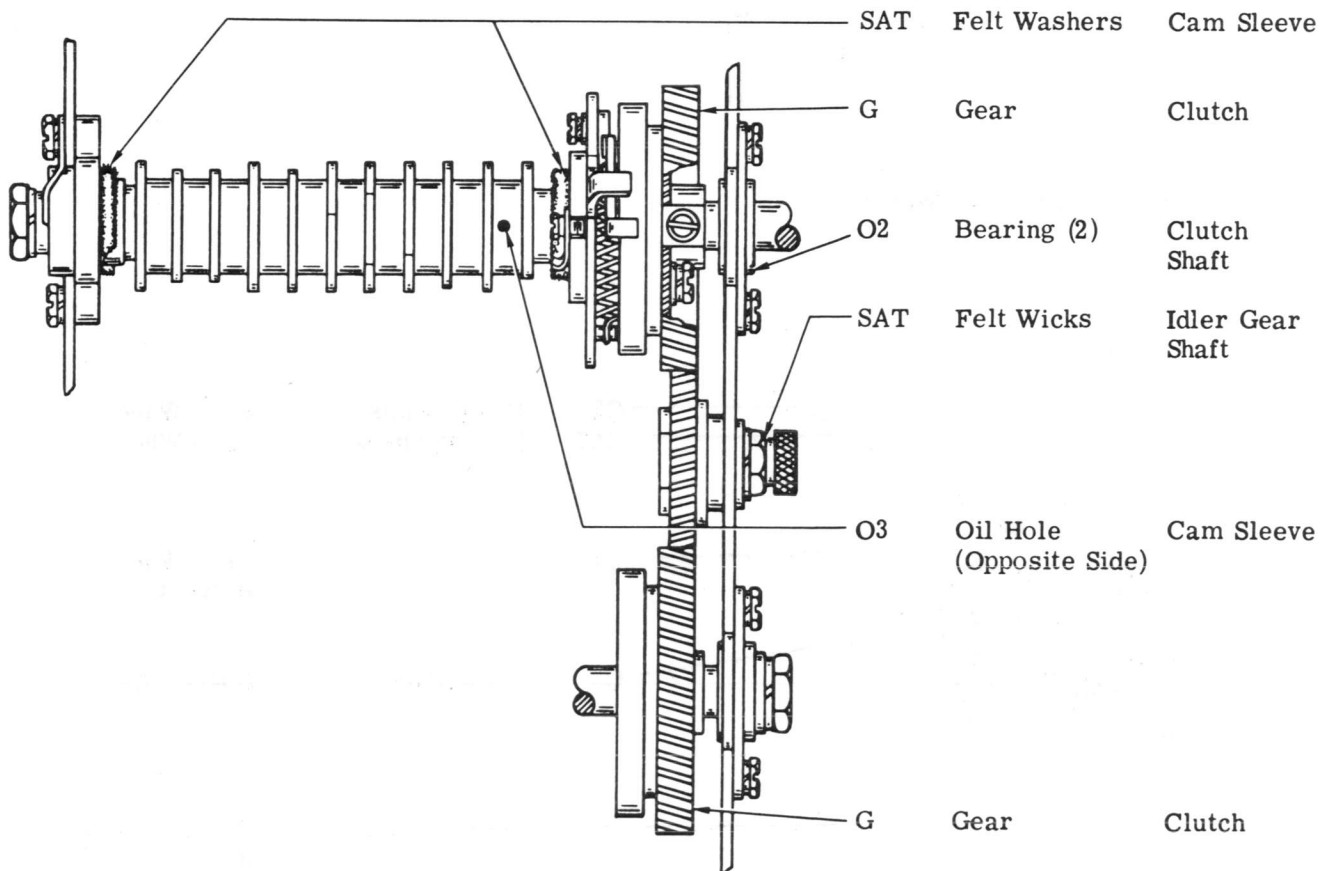
2.03 Distributor Block Assembly



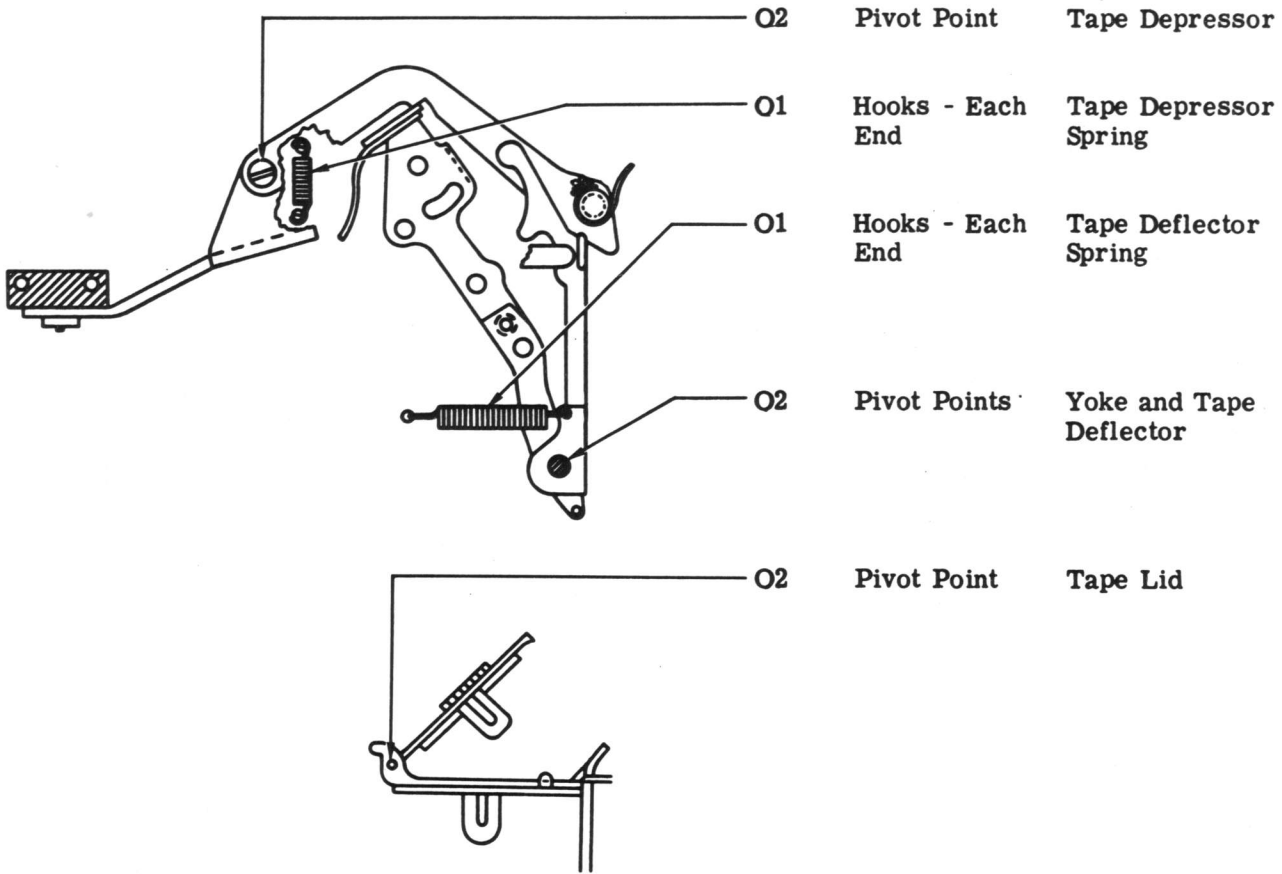
2.04 Clutch Assemblies



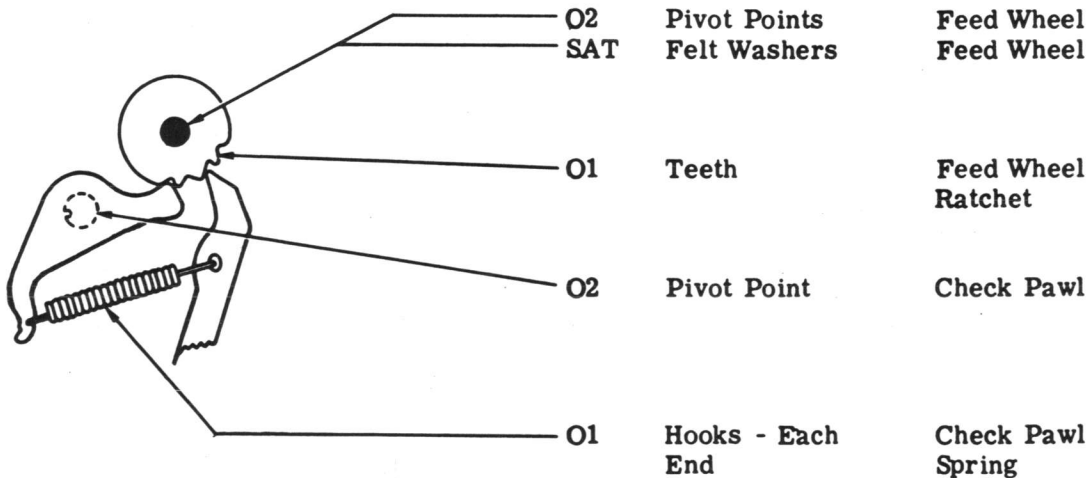
2.05 Cam Sleeve Assemblies



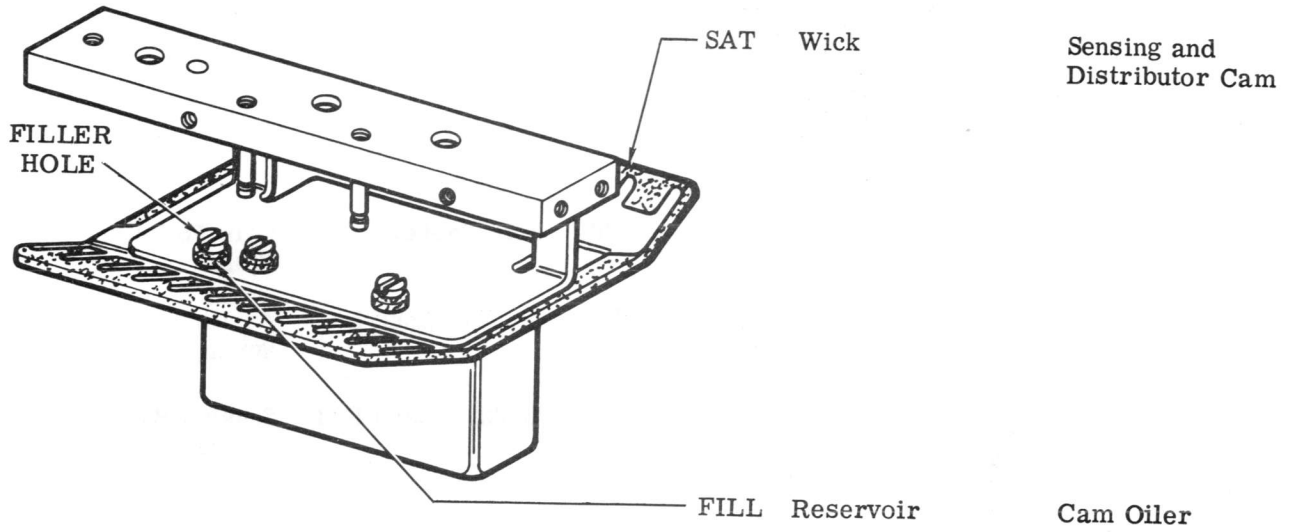
2.06 Pivoted Sensing Head



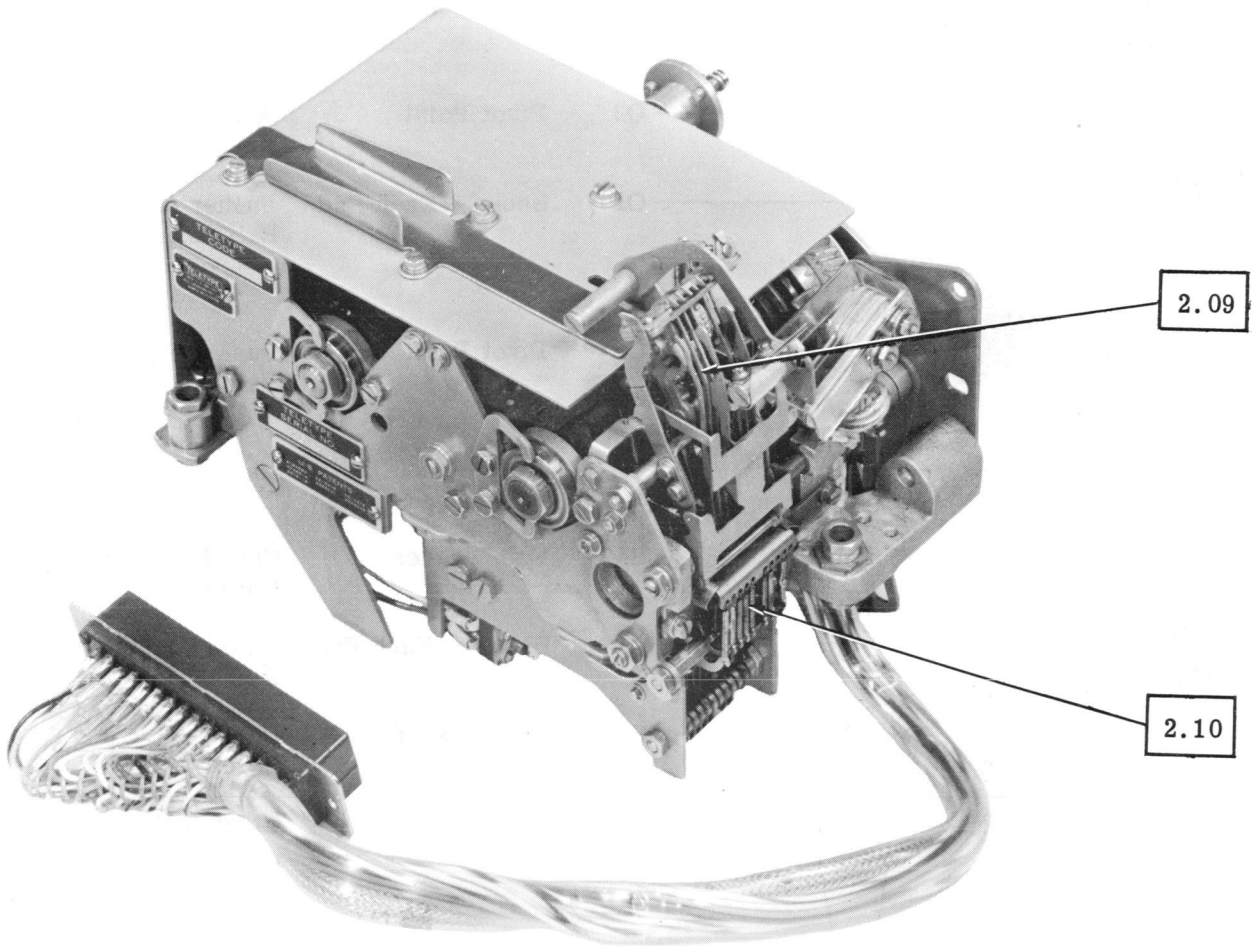
2.07 Check Pawl and Feed Wheel



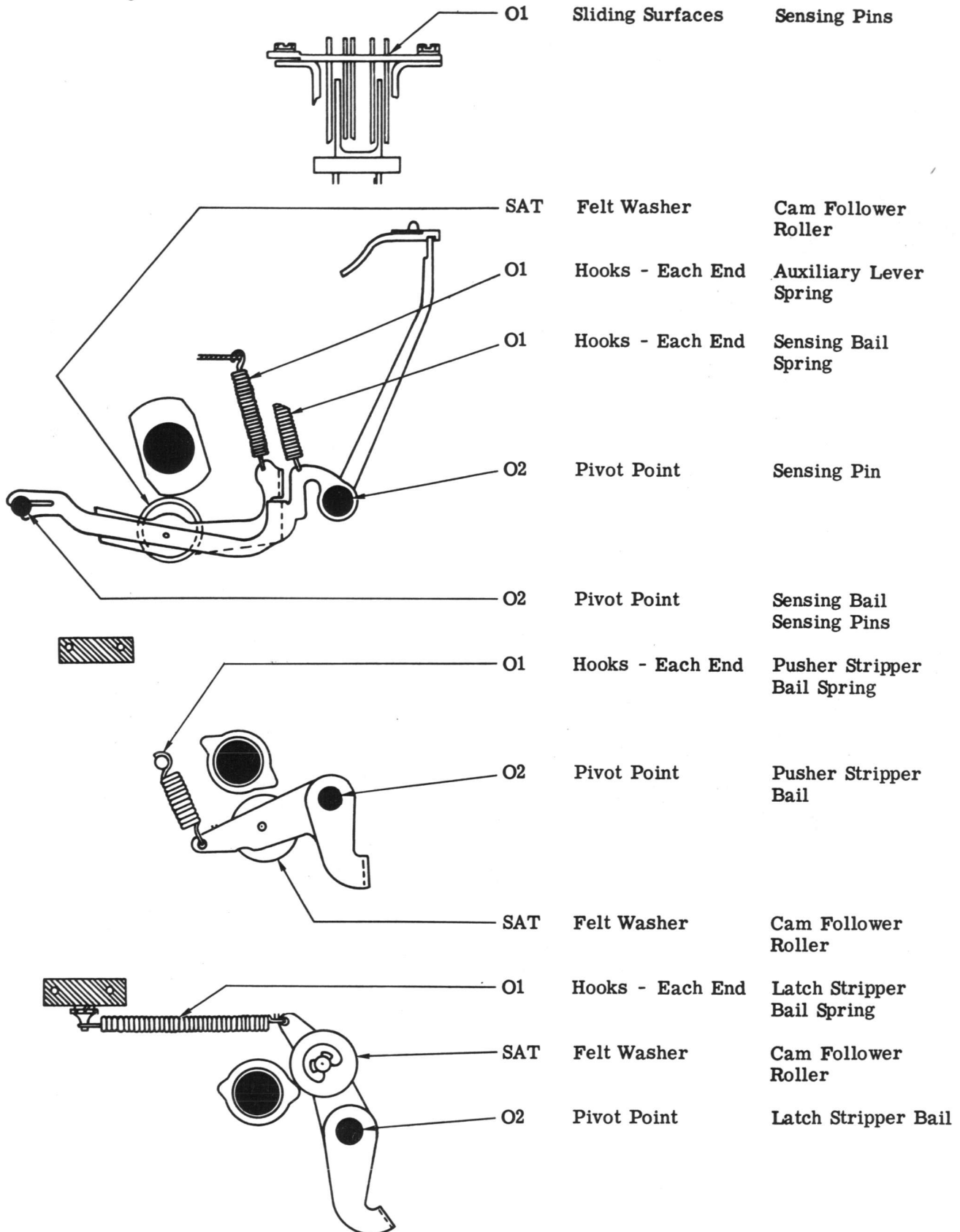
2.08 Oil Reservoir Assembly



Note: Oil depth not to exceed 7/8 inch. Use a 0.010 inch flat gauge from TP117781 set of gauges as a dip stick.

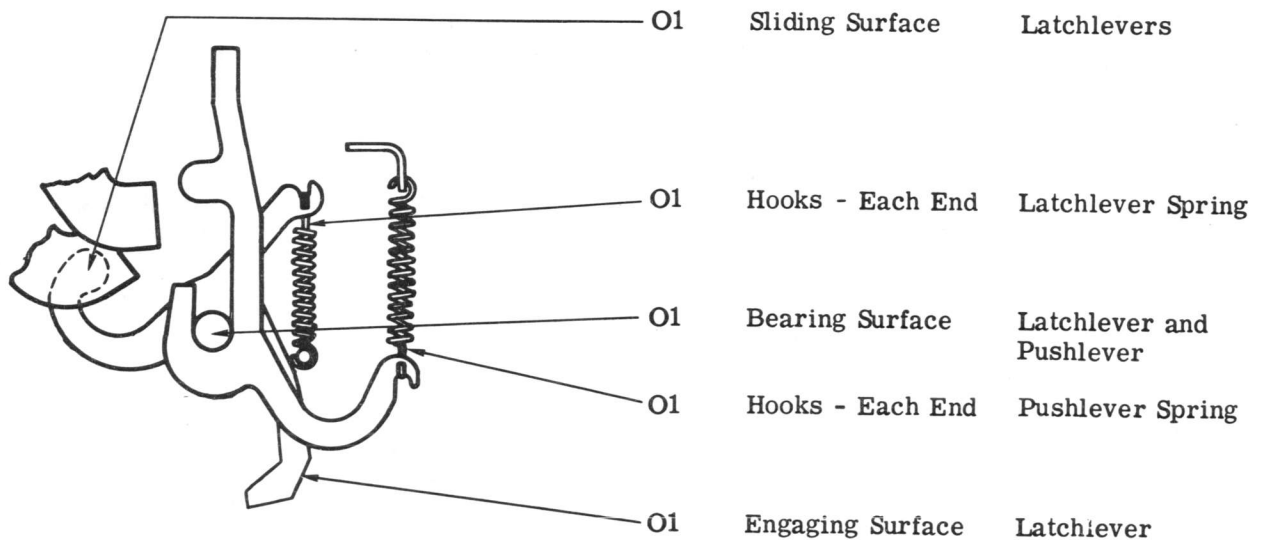
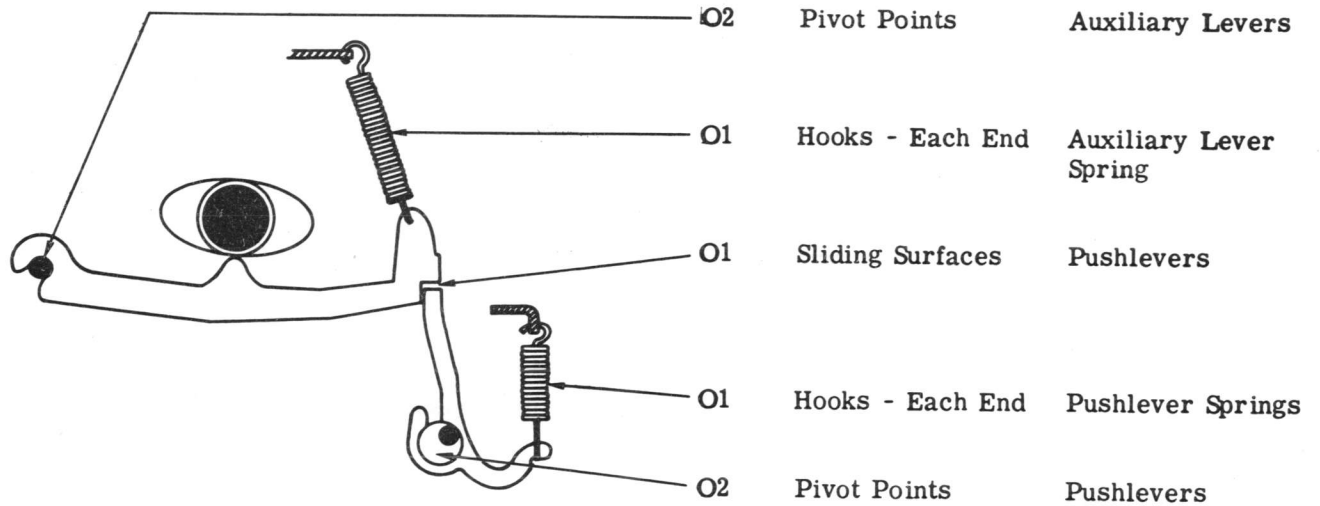


2.09 Sensing Mechanism

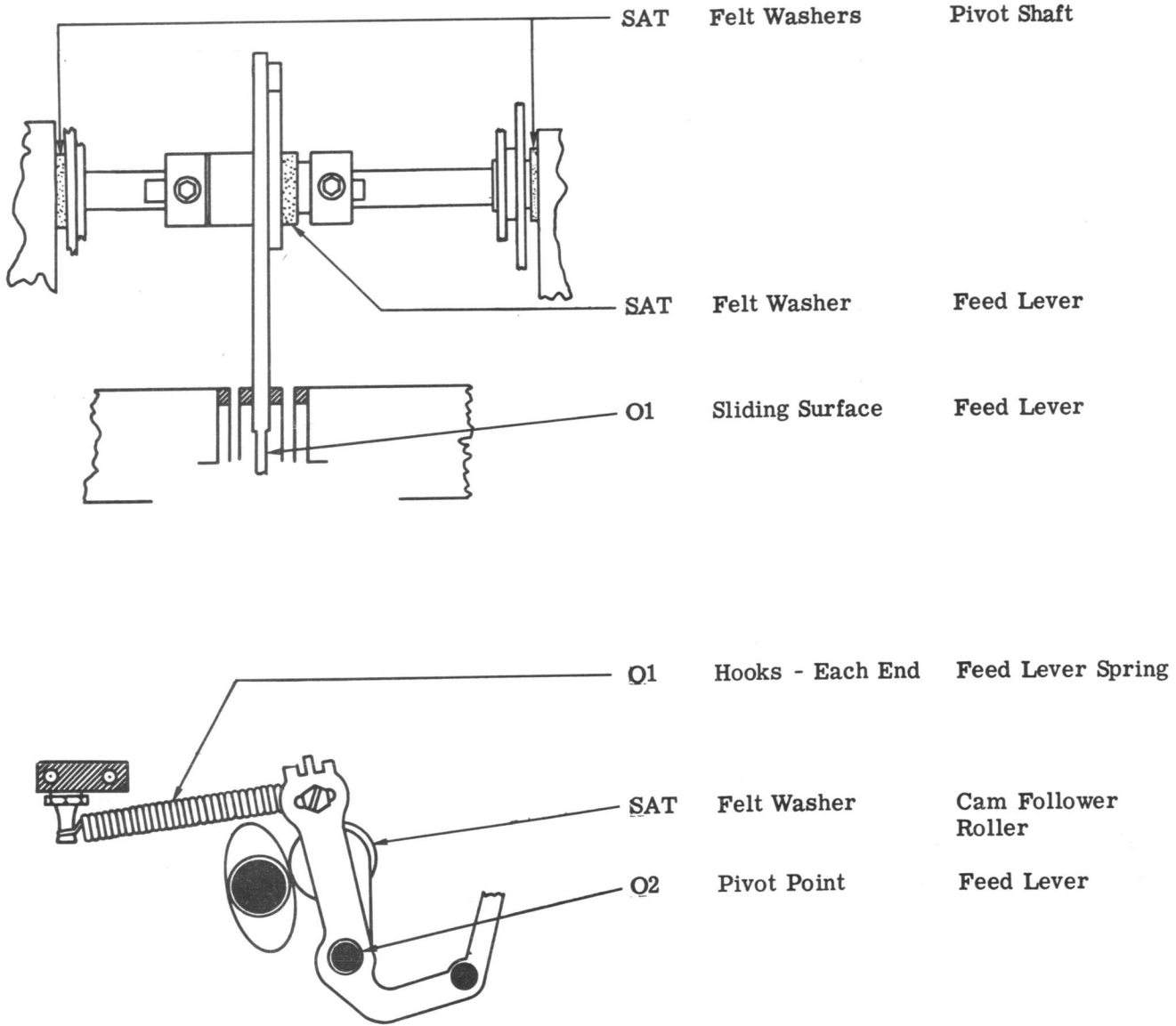


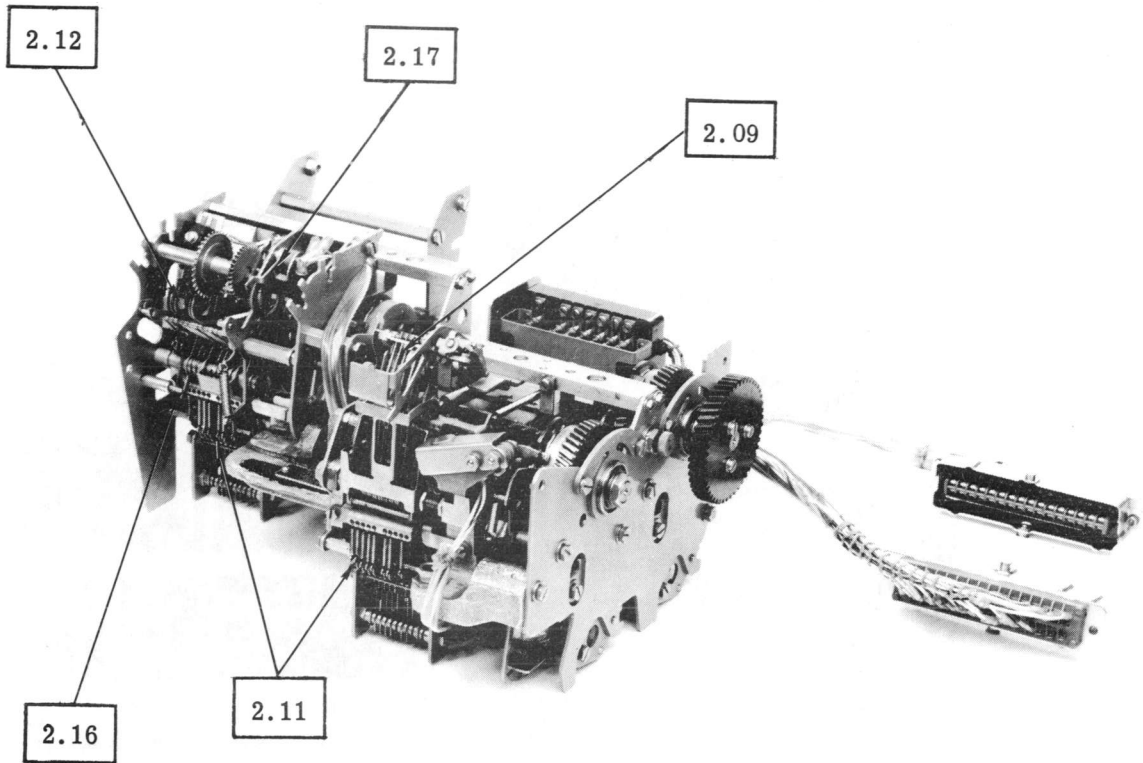


2.10 Sensing Mechanism (continued)

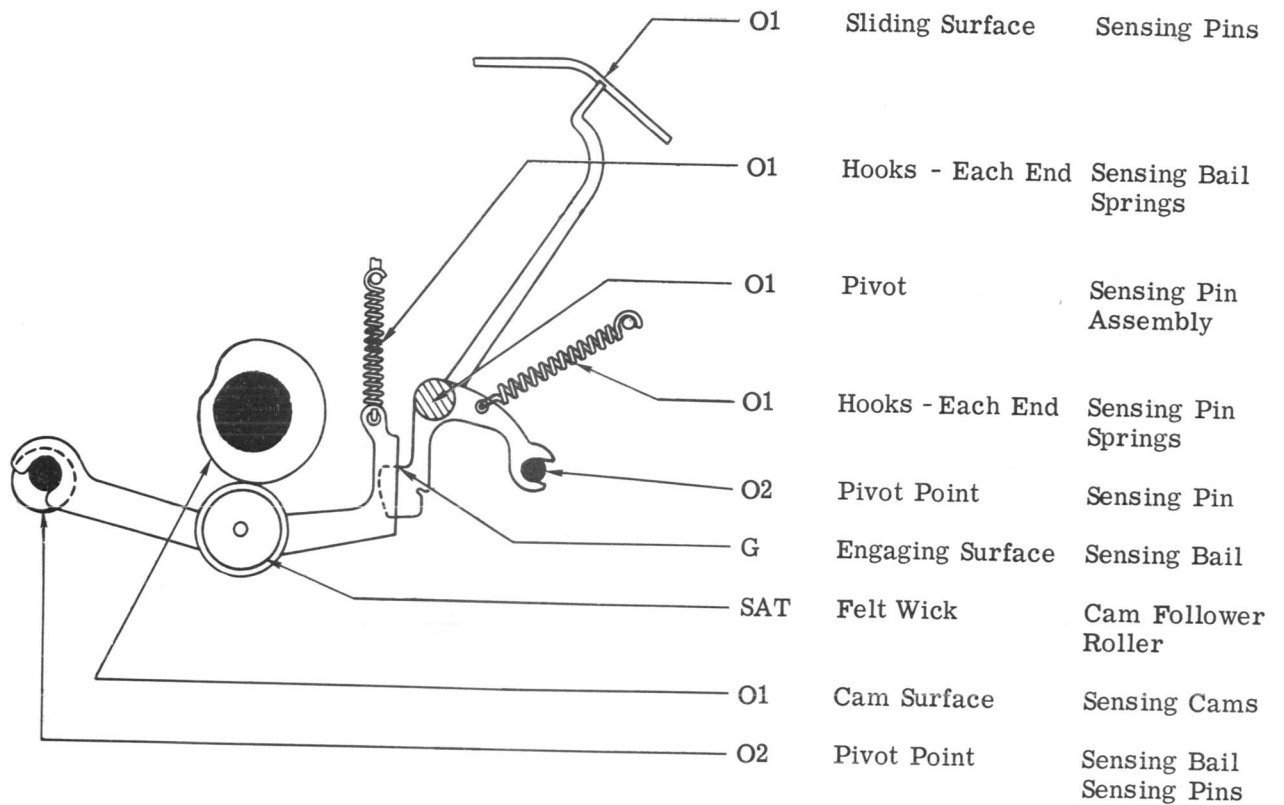


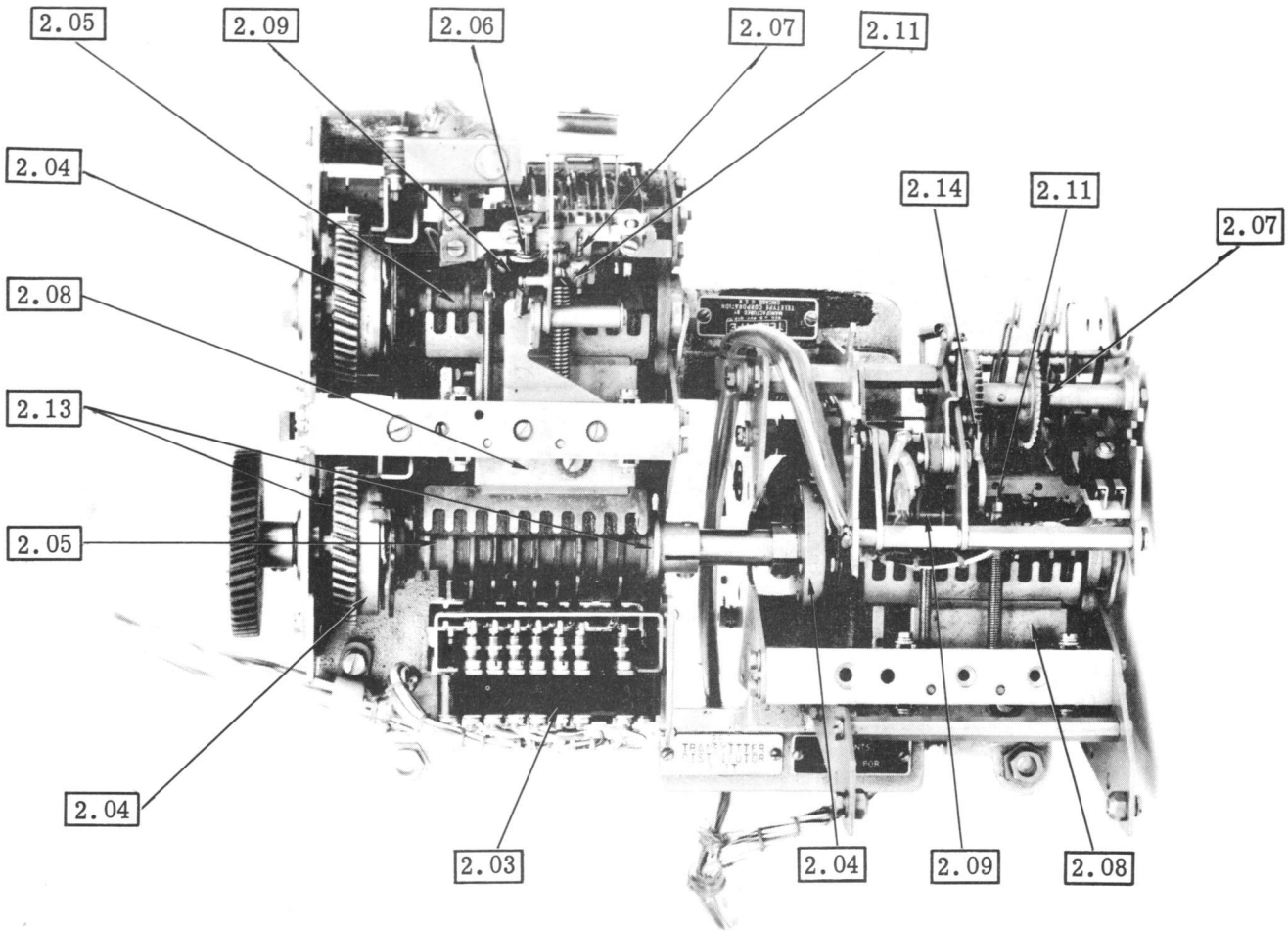
2.11 Feed Mechanism



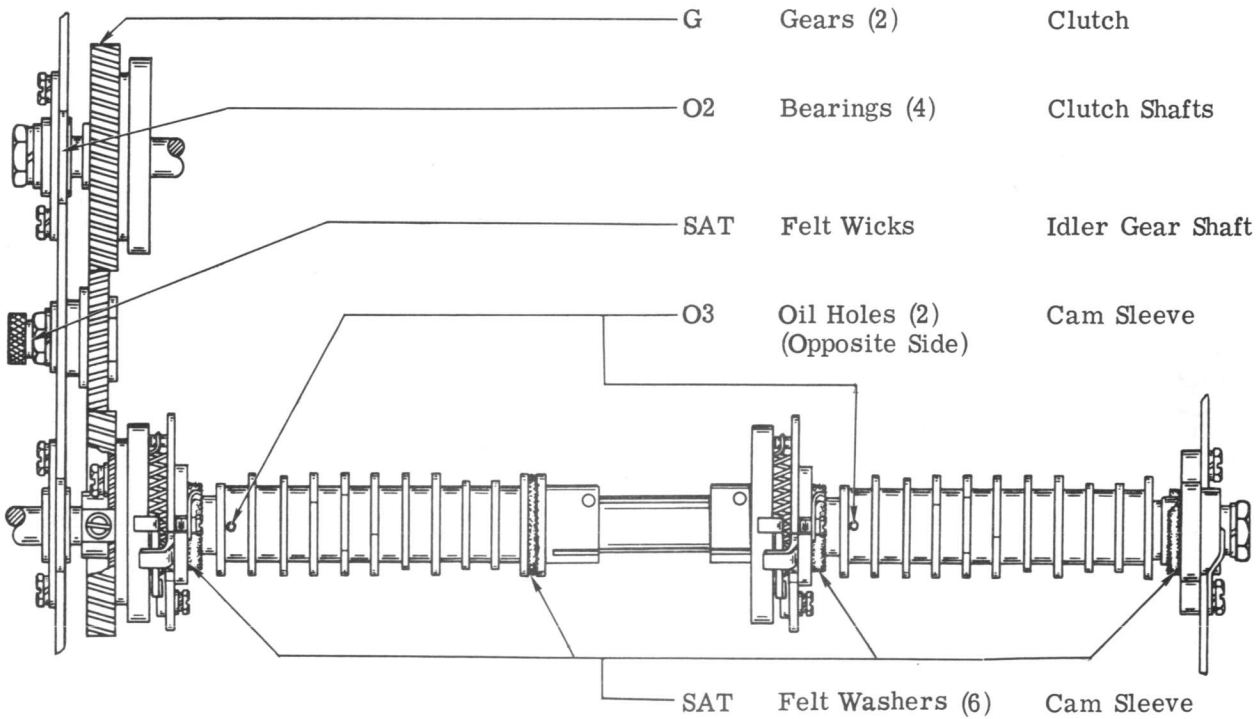


2.12 Fixed Sensing Mechanism

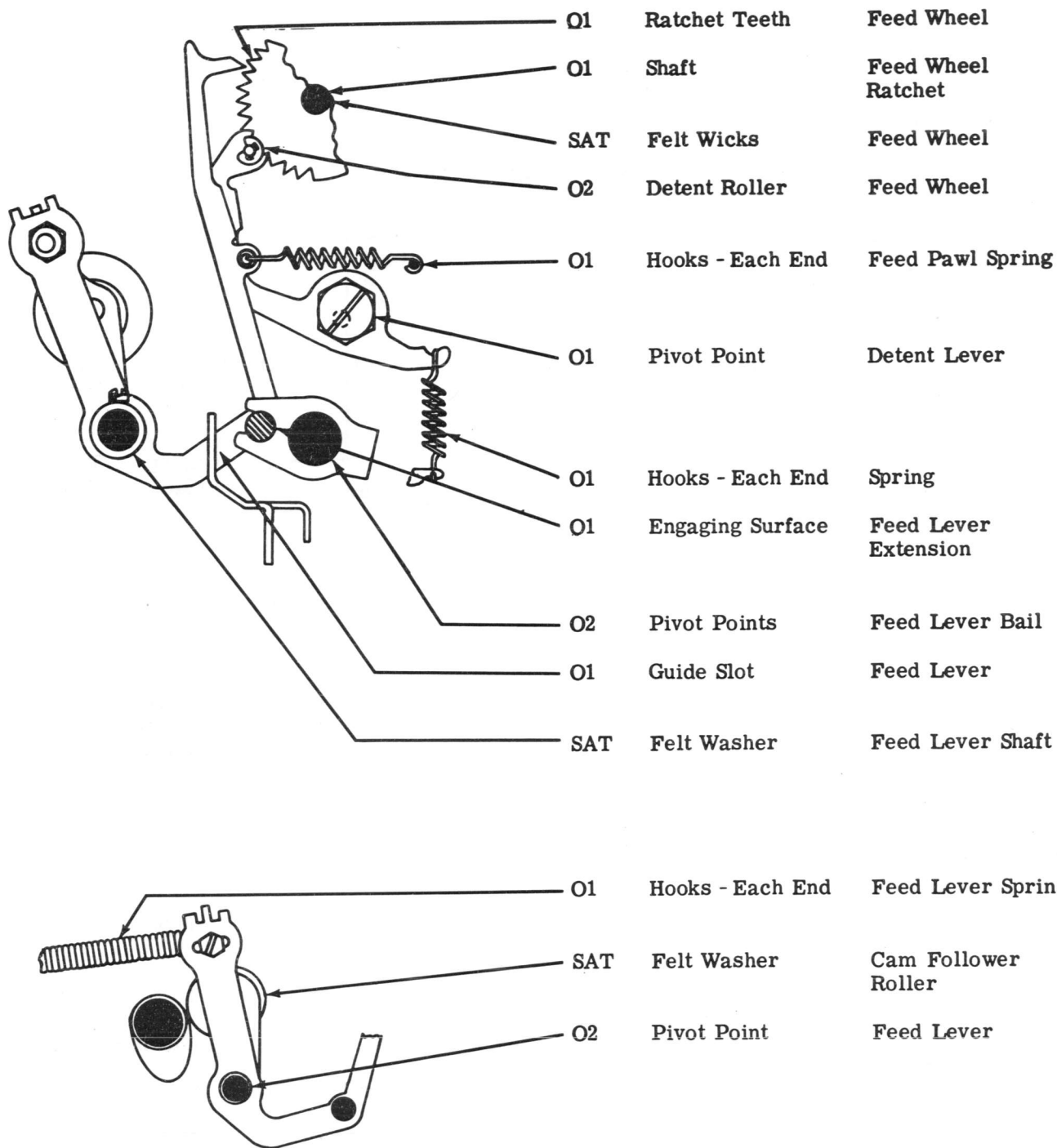




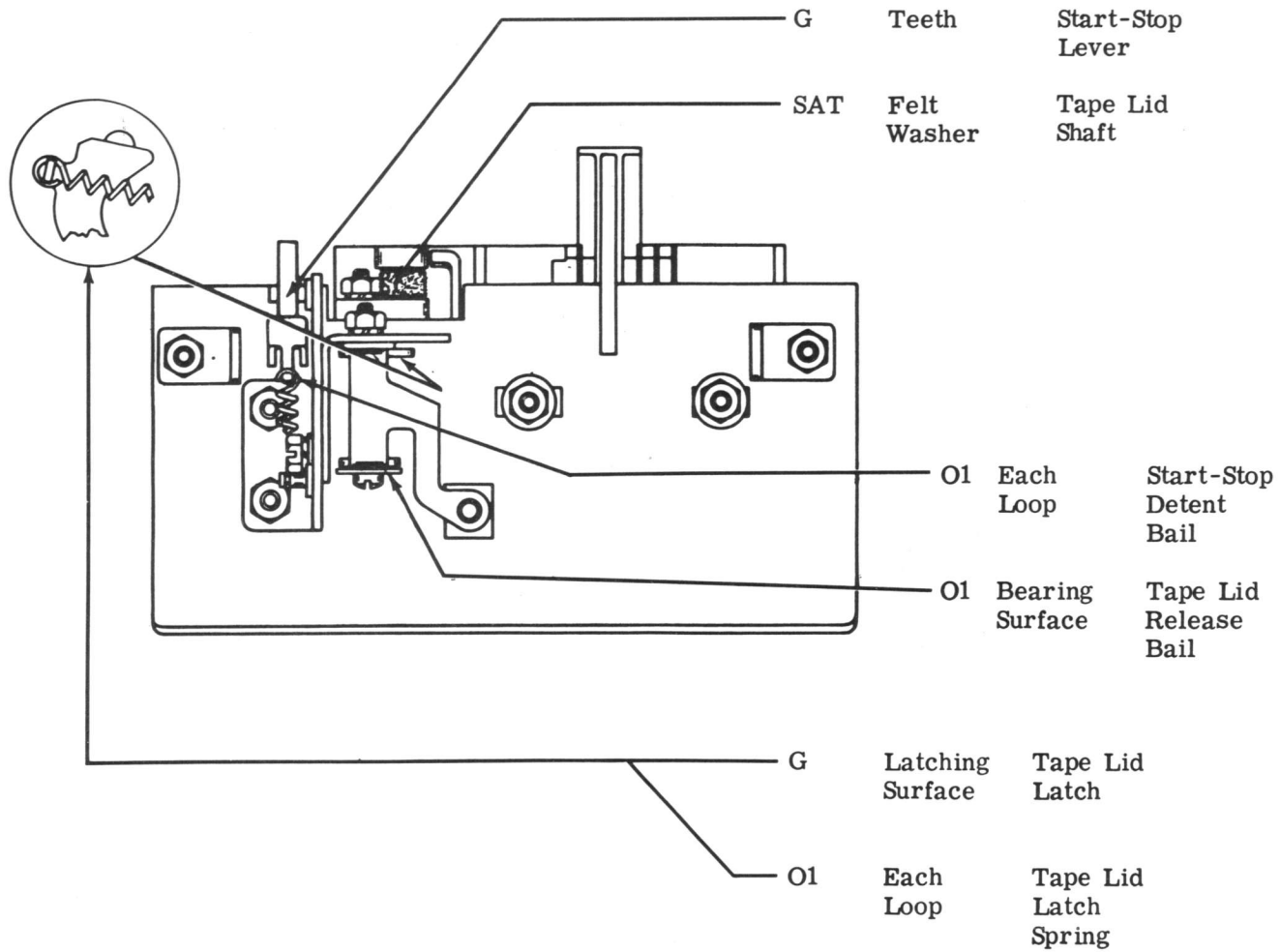
2.13 Cam Sleeve Assemblies (continued)



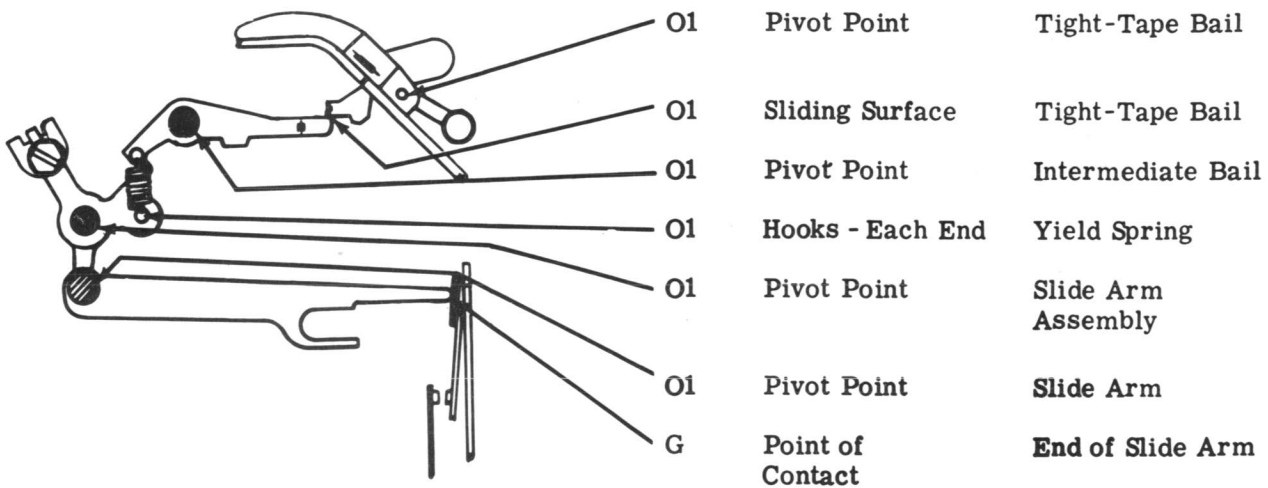
2.14 Feed Mechanism (continued)



2.15 Tape Lid and Tape Guide



2.16 Tight-Tape Sensing Mechanism



2.17 Tape-Out and Tape Lid Mechanism

