

28 AUTOMATIC SEND-RECEIVE KEYBOARD (LAK)  
PARTS

FIGURE	CONTENTS	PAGE	FIGURE	CONTENTS	PAGE
1	Keyboard Base Parts	3	26	174410 Contact Box Assembly w/RF Suppression - Polar Transmission (Shielded Signal Lines)	25
2	Keyboard Base Parts	4	27	Code Bar Extension Basket Mechanism	26
3	326727 and 326730 Intermediate Gear Assemblies	5	28	Cam Follower Mechanism and Margin Indicator Assemblies	27
4	154224 and 164234 Intermediate Gear Assemblies (Early Design)	6	29	Auxiliary Switch Mechanism	28
5	144770 Intermediate Gear Assembly (Noise Reduction)	6	30	Keyboard Switch Assemblies	29
6	Bearing Bracket Mechanism (Early Design)	7	31	144708 (Function Magnet Contact) and 144710 (Code Reading Contacts) Modification Kits	30
7	144749 and 305634 Bearing Bracket Assemblies	8	32	144997 Figures - Letters Contact Assembly	31
8	Function Bail Mechanism	9	33	158007, 170349 and 176709 Tape Con- tainer Assemblies	32
9	Local Reverse Line Feed Mechanism (8 Level)	10	34	158009 (Two Wire) Tape-out Switch Assembly	33
10	154146 Modification Kit to Provide Local Backspace Mechanism (5 Level)	10	35	163531 (Three Wire) and 311438 (Two Wire) Tape-out Switch Assemblies	33
11	Keylever Guide Plates	11	36	155990 Character Counter Assembly	34
12	Keylever Guide Plates (Continued)	12	37	178346 Modification Kit to Equip Key- board with Answer-Back Control	35
13	Keyboard Mechanism	13	38	164659 (100 MA), 194425 (50 MA) and 198350 (50 MA) Modification Kits to Provide Synchronous Pulsed Transmission	36
14	Keyboard Top Plates and Panel Assemblies	14	39	154147 Modification Kit to Provide Local Paper Feed-out Motor Starting Mechanism	37
15	Keyboard Hood and Mounting Parts	15	40	154141 Modification Kit to Provide Electrical Signal Line Break Mecha- nism	37
16	Code Bar Mechanism (5 Level)	16	41	176405 Modification Kit to Add Tape Backspace Button	38
17	Code Bar Mechanism (6 and 8 Level)	17	42	163775 Modification Kit to Provide Repeat on Space Mechanism	38
18	Contact Assemblies	18	43	154142 and 162731 Modification Kits to provide Keyboard with Time Delay Mechanism	39
19	154151 and 170332 Universal Bail Assemblies	19	44	164502 (End of Message Generator) and 172945 (Answer-Back) Modification Kits - See Figs. 45, 46 and 47	40
20	154152 (5 Level), 170331 (6 and 8 Level) and 192550 (5 Level) Lock Bar Assemblies	19			
21	Signal Generator Frame Mechanism	20			
22	Signal Generator Shaft Assemblies	21			
23	Signal Generator Front Plate Mechanism	22			
24	Signal Generator Rear Plate Mechanism	23			
25	154165 (w/Arc Suppression) 154225 (w/ RF Suppression) - Neutral Transmission and 162892 (w/RF Suppression - Polar Transmission) Contact Box Assemblies	24			

FIGURE	CONTENTS	PAGE	FIGURE	CONTENTS	PAGE
45	164502 (End of Message Generator) and 172945 (Answer-Back) Modification Kits - See Figs. 44, 46 and 47	41	52	195154 and 317202 (60-67-100 WPM, 7.42 Unit Code) and 311676 and 317349 (65-71-107 WPM, 7.00 Unit Code) Modification Kits to Add Three Speed Gear Shift to Keyboard	47
46	164500 Resistor Assembly (Part of 164502 Modification Kit - See Figs. 44 and 45)	42	53	149896 and 154145 Modification Kits to Provide Local Reverse Line Feed Mechanism (Mark III)	48
47	172948 Resistor Assembly (Part of 172945 Modification Kit - See Figs. 44 and 45)	42	54	309511 Modification Kit to Provide Universal Keyboard Switch on (Mark III) Keyboards	48
48	164426 Modification Kit to Add Horizontal Tab Disabler	43	55	Gear Sets	49
49	Coding the Keyboard Answer-Back Drum Blade	44	56	Keyboard Cable Components	50
50	176395 Modification Kit to Provide Lock Bar Reset to Answer-Back	45	57	Time Delay Reset Mechanism	51
51	Remote Control Speed Shift Gear Mechanism (60-100 WPM, 7.42 Unit Code)	46	58	Character Counter Stepping Switch	51
			59	Tape Container Control Components	52
			60	199070 Contact Box Assembly	53
				Numerical Index	54

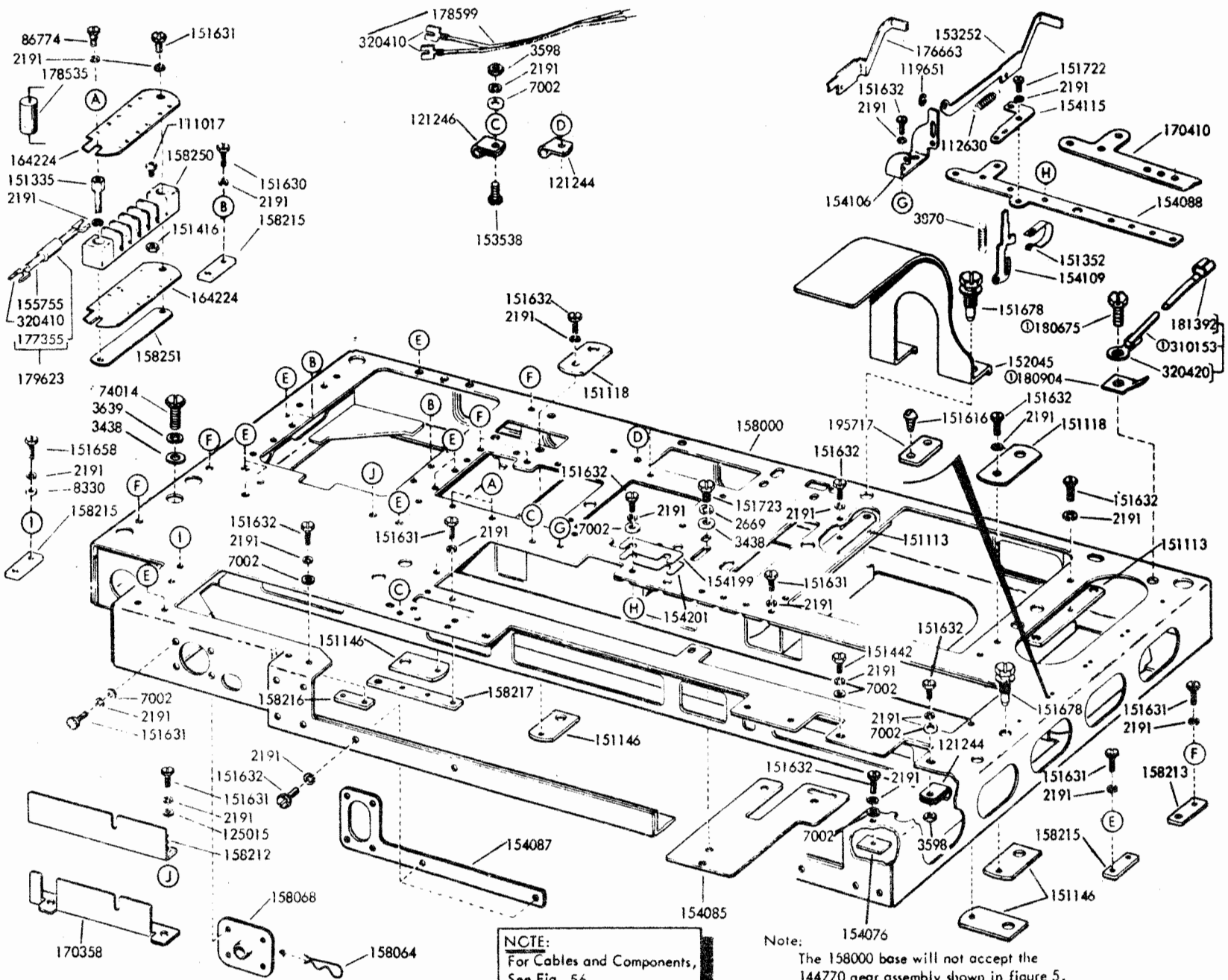


FIGURE 1. KEYBOARD BASE PARTS

**NOTE:**  
For Cables and Components,  
See Fig. 56.

Note:  
The 158000 base will not accept the  
144770 gear assembly shown in figure 5.  
Ⓢ199361 modification kit to provide ground strap  
503855

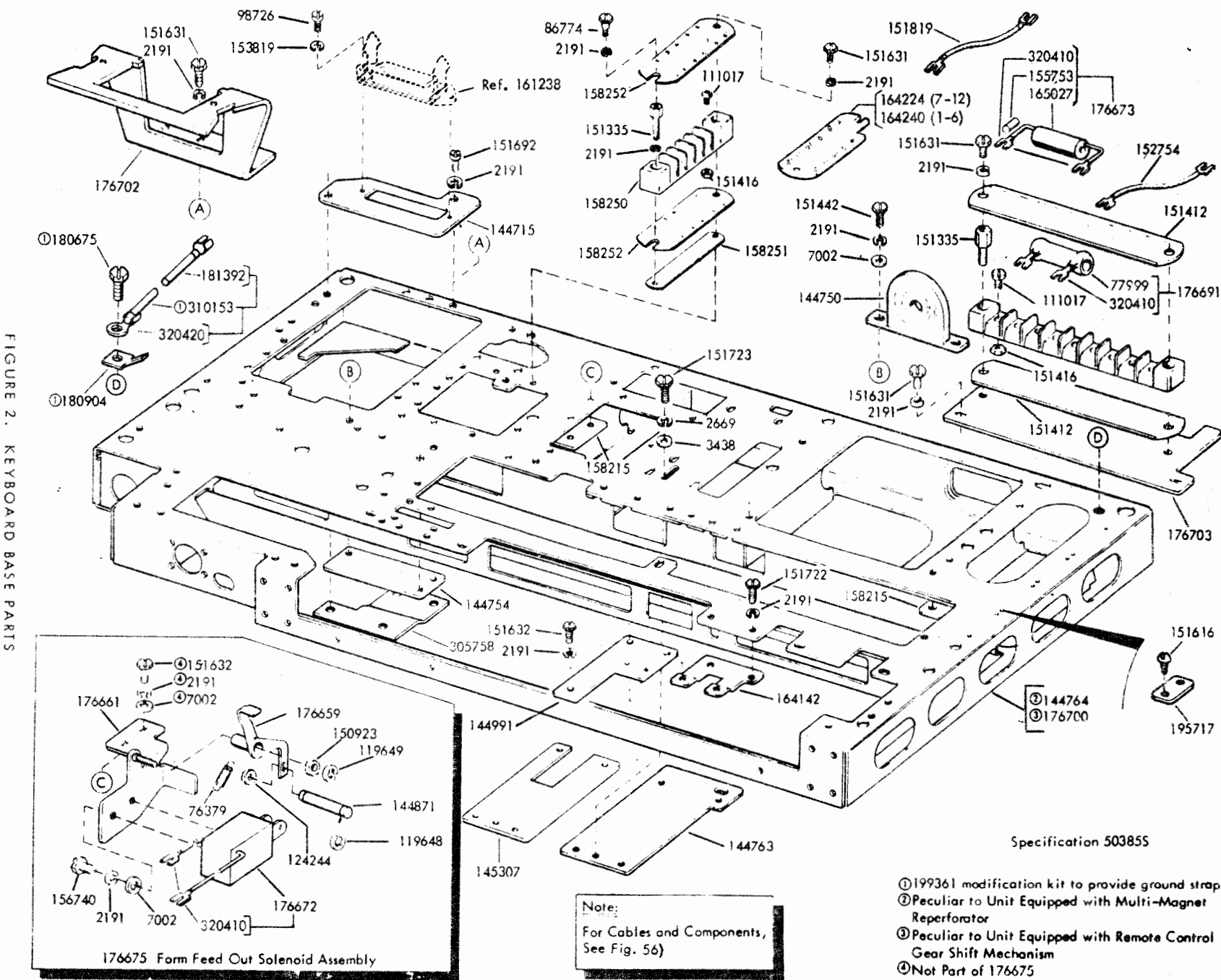


FIGURE 2. KEYBOARD BASE PARTS

Note:  
For Cables and Components,  
See Fig. 56)

Specification 503855

- ①199361 modification kit to provide ground strap
- ②Peculiar to Unit Equipped with Multi-Magnet Reperator
- ③Peculiar to Unit Equipped with Remote Control Gear Shift Mechanism
- ④Not Part of 176675

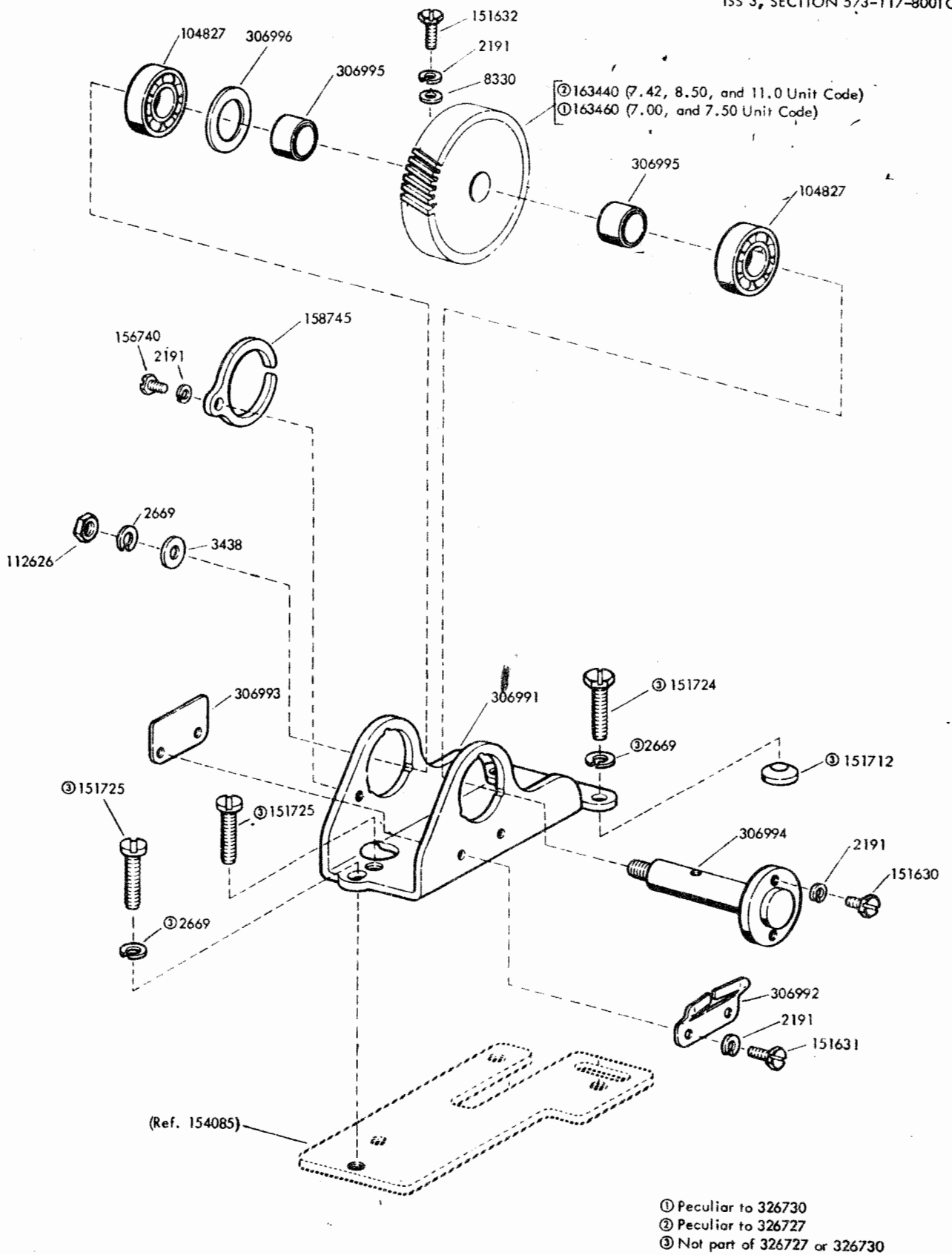


FIGURE 3. 326727 AND 326730 INTERMEDIATE GEAR ASSEMBLY

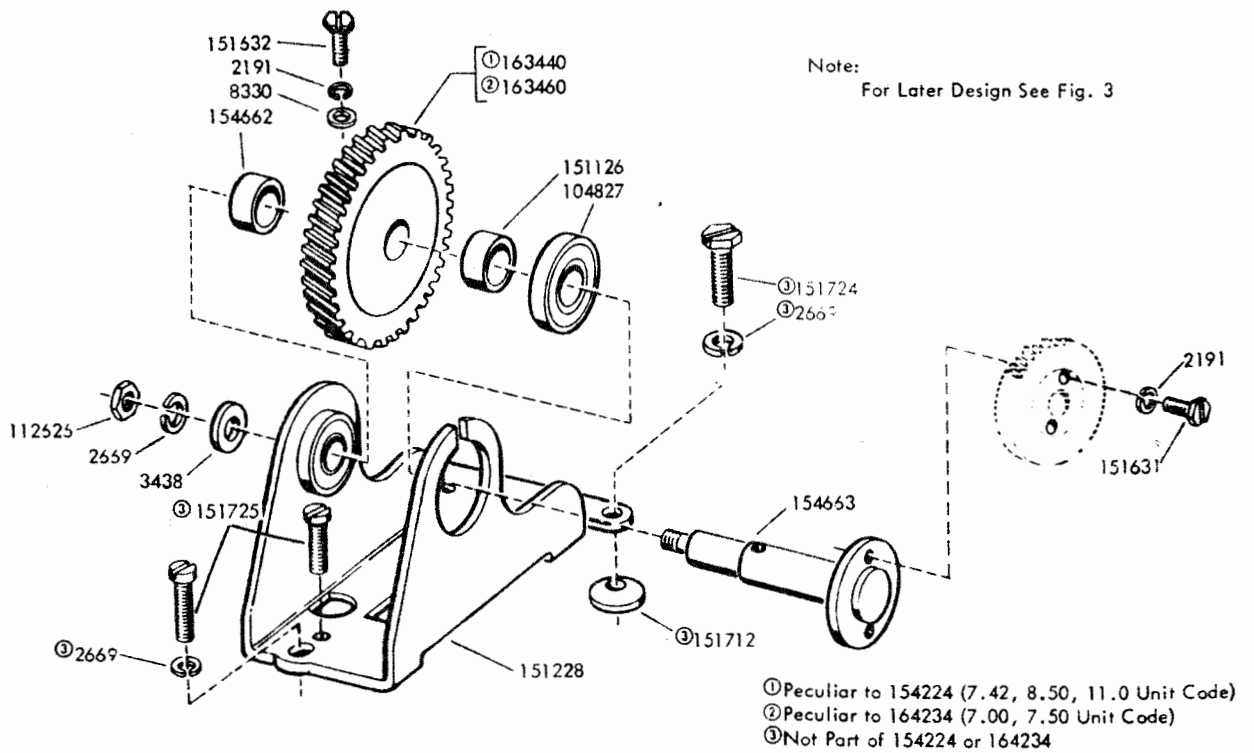


FIGURE 4. 154224 AND 164234 INTERMEDIATE GEAR ASSEMBLIES (EARLY DESIGN)

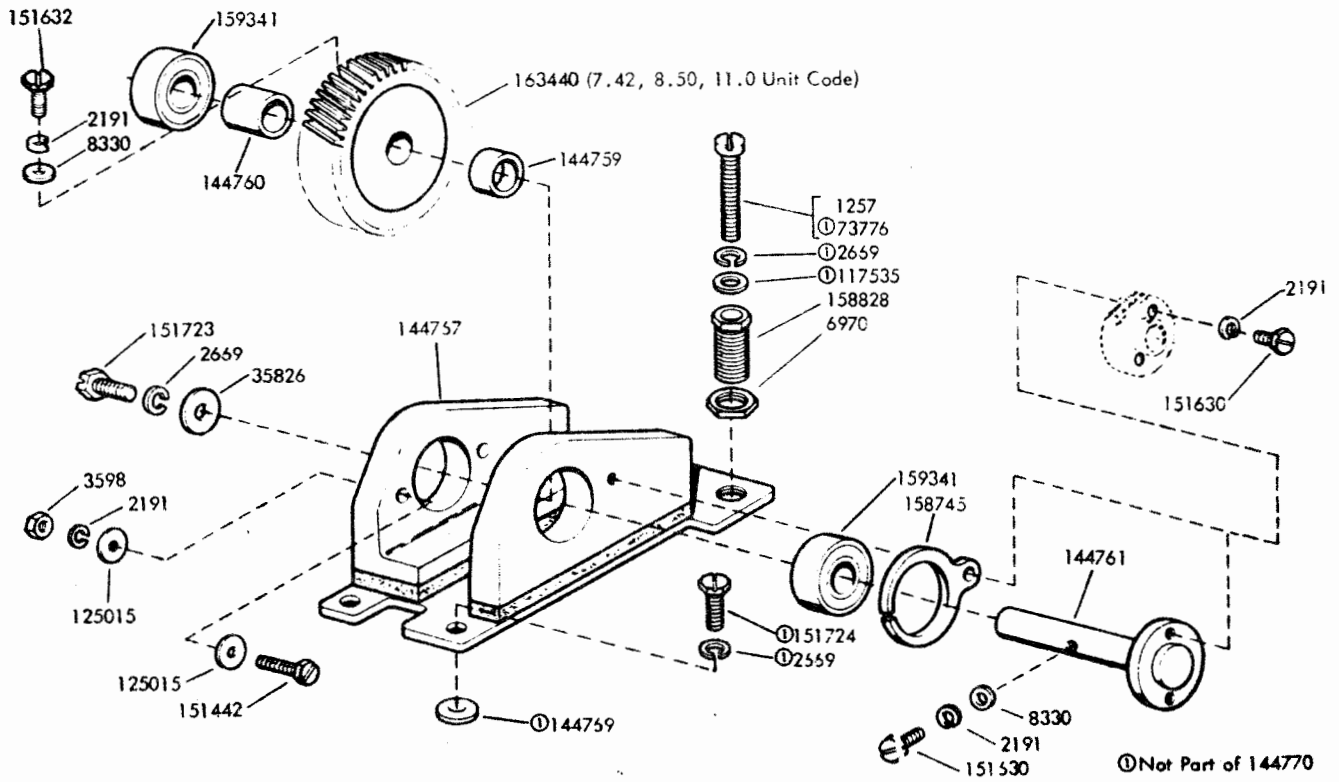


FIGURE 5. 144770 INTERMEDIATE GEAR ASSEMBLY (NOISE REDUCTION)

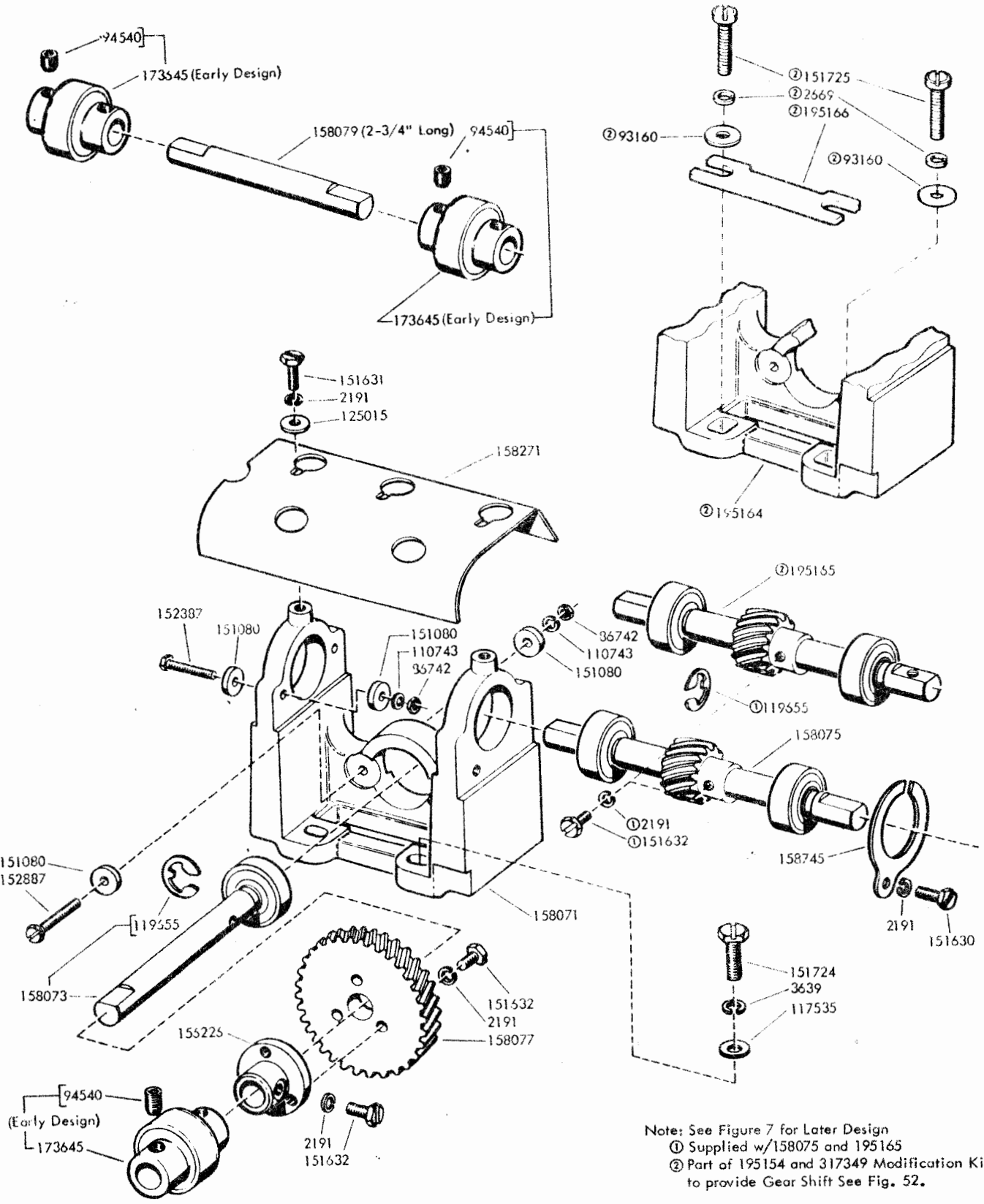


FIGURE 6. BEARING BRACKET MECHANISM (EARLY DESIGN)

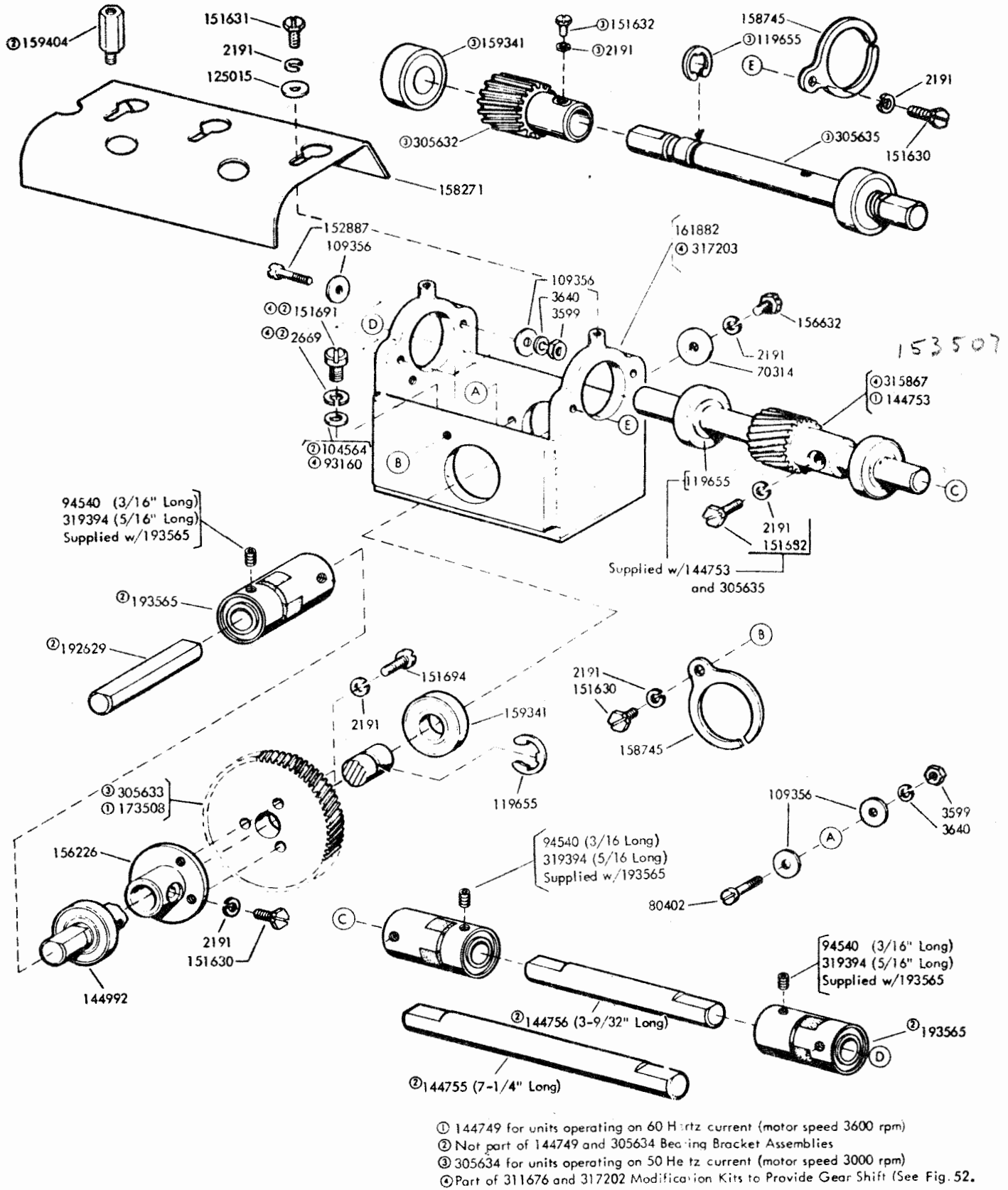


FIGURE 7. 144749 AND 305634 BEARING BRACKET ASSEMBLIES



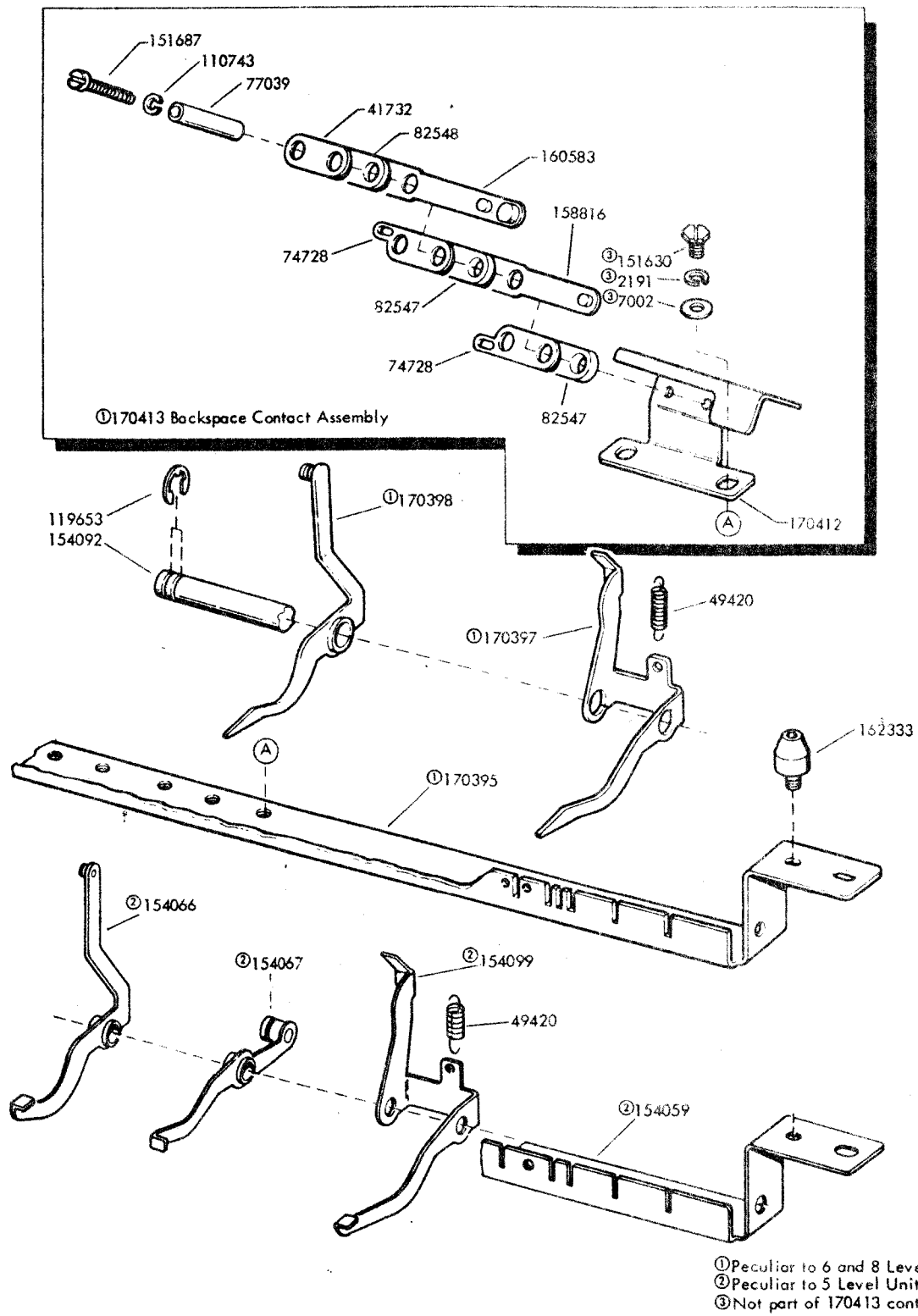


FIGURE 8. FUNCTION BAIL MECHANISM

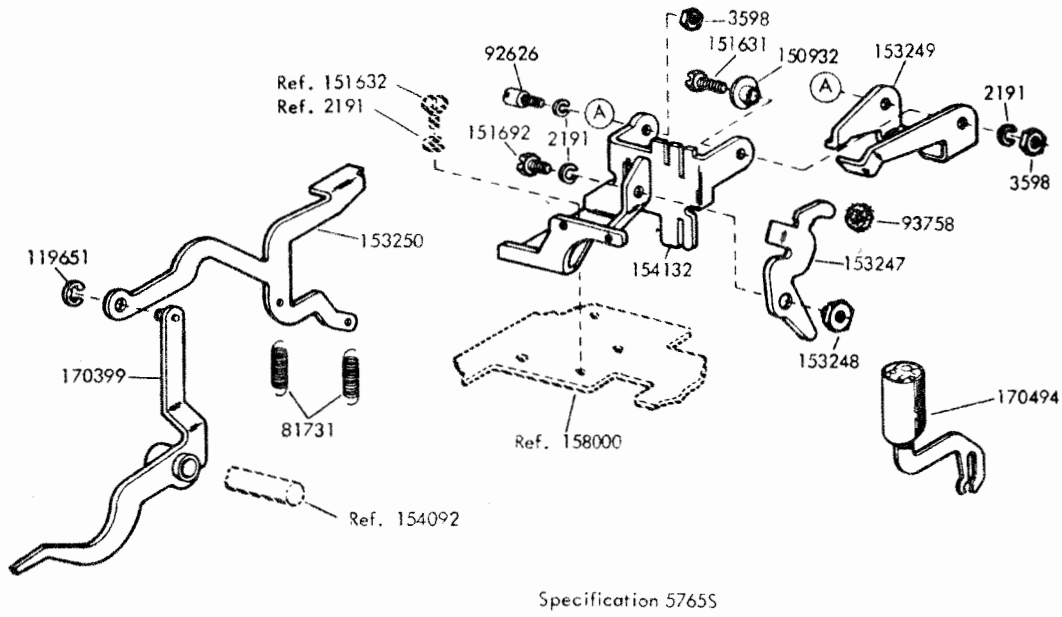
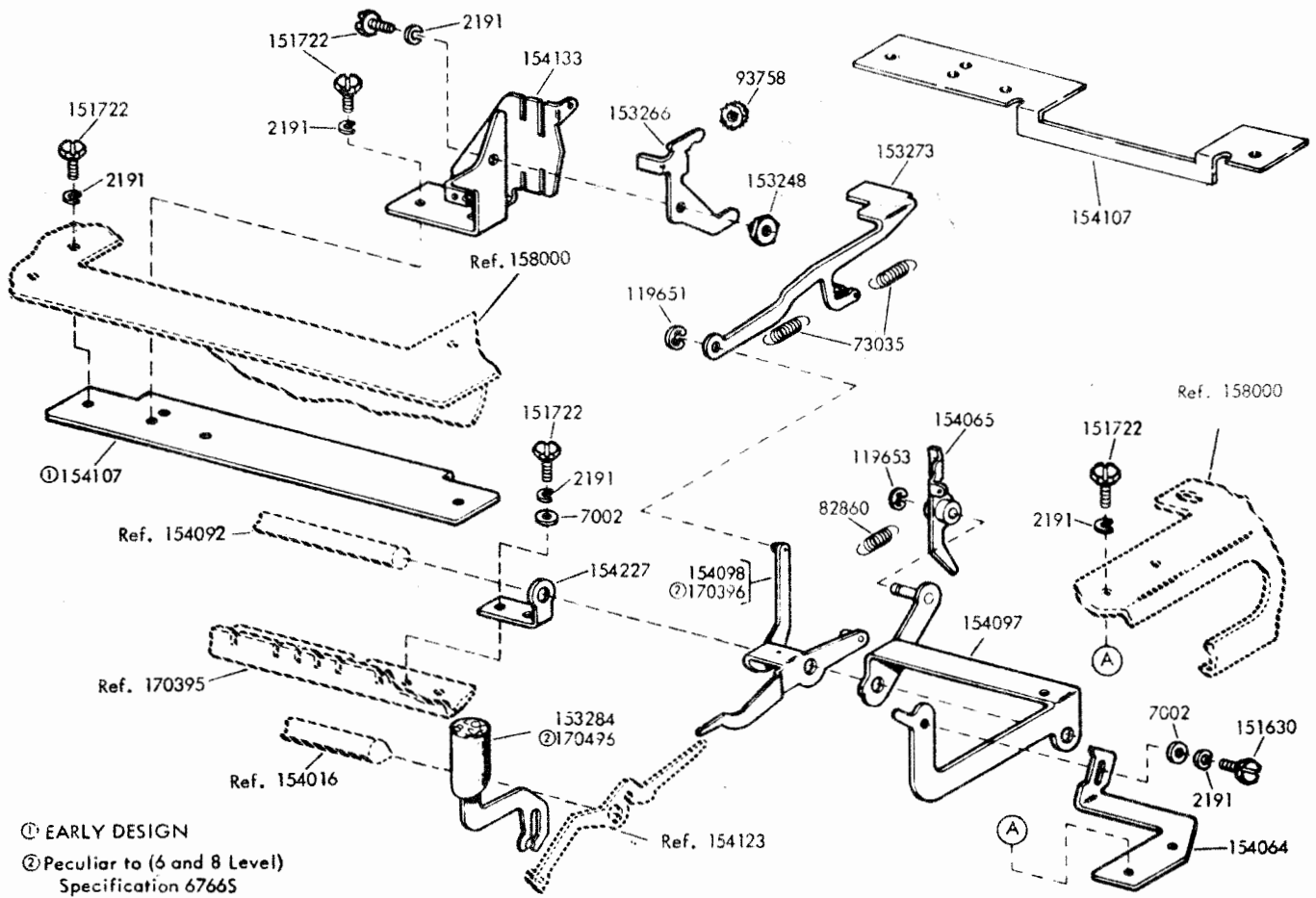
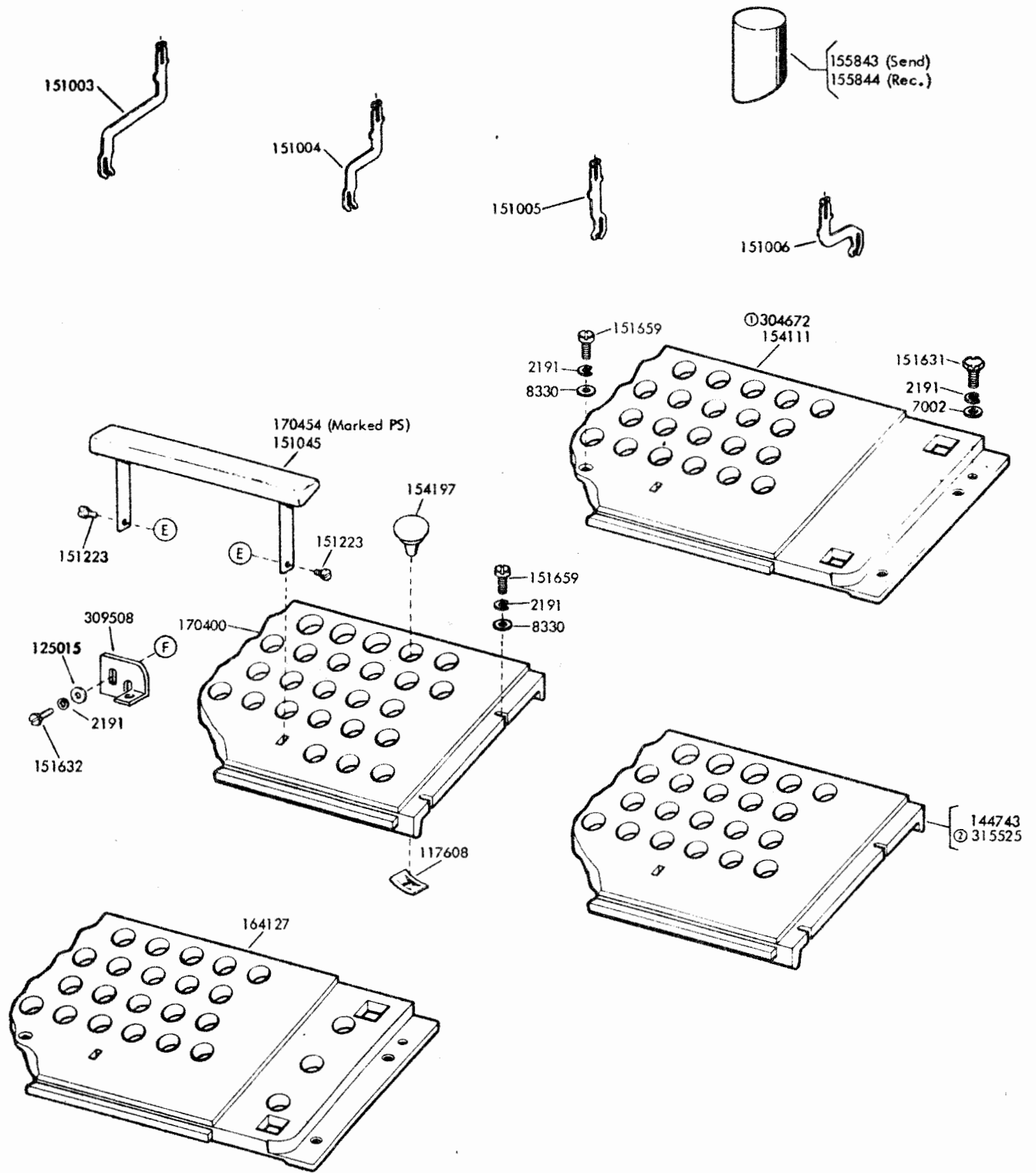


FIGURE 9. LOCAL REVERSE LINE FEED MECHANISM (8 LEVEL)



Ⓐ EARLY DESIGN  
 Ⓑ Peculiar to (6 and 8 Level)  
 Specification 67665

FIGURE 10. 154146 MODIFICATION KIT TO PROVIDE LOCAL BACKSPACE MECHANISM (5 LEVEL)



① Top Row Oversized to Accept Keytops Shown on Fig. 30  
 ② Accepts Label Set on Left Hand Side.

FIGURE 11. KEYLEVER GUIDE PLATES

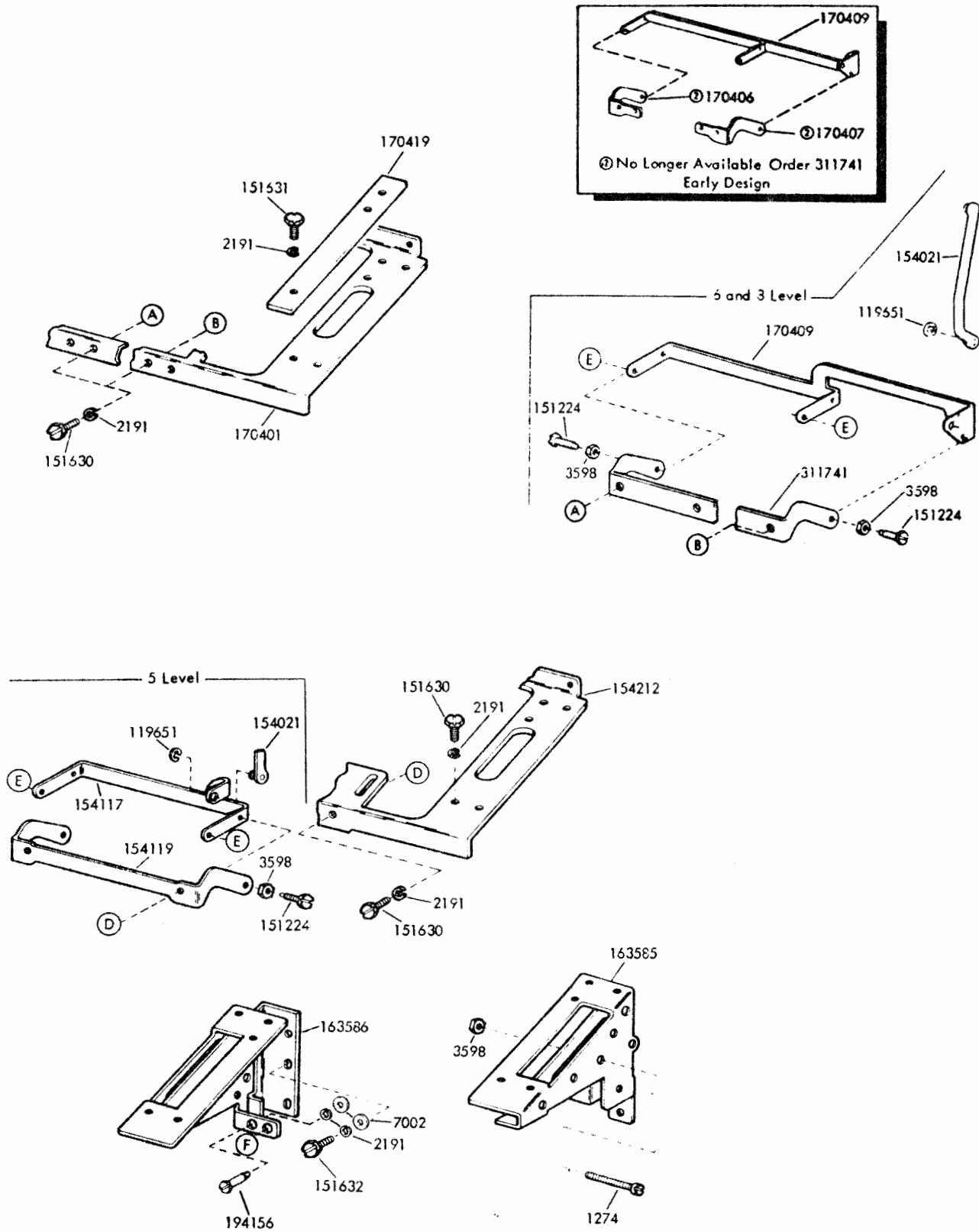
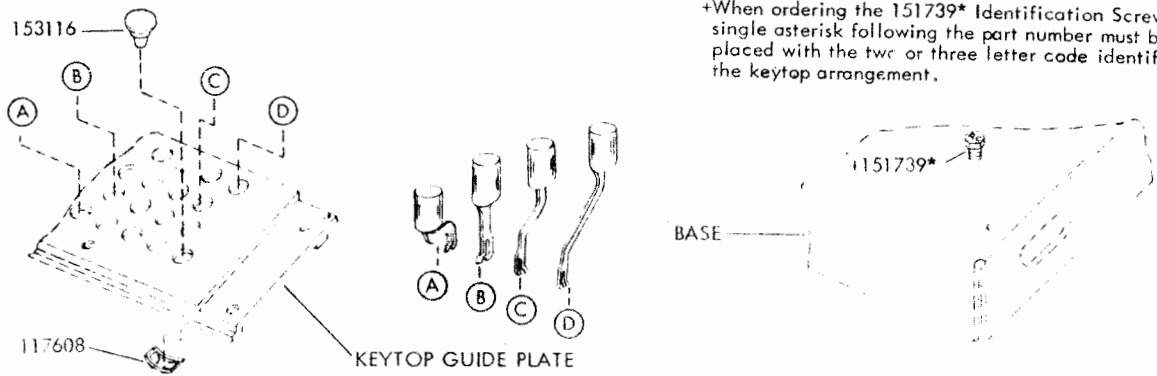


FIGURE 12. KEYLEVER GUIDE PLATES (Continue 1)

FROM RSH-60 MANUAL



+When ordering the 151739\* Identification Screw, the single asterisk following the part number must be replaced with the two or three letter code identifying the keytop arrangement.

KEYTOP DESCRIPTION	PART NUMBER	KEYTOP DESCRIPTION	PART NUMBER	KEYTOP DESCRIPTION	PART NUMBER	KEYTOP DESCRIPTION	PART NUMBER	KEYTOP DESCRIPTION	PART NUMBER
E 3	151294	Q 1	151292	W 2	151293	LTRS	151320	⓪KBD LOCK	151289
I 8	151299	R 4	151295	X /	151314	LINE FEED	151321	⓪BREAK	151290
M .	151319	S BELL	151303	Y 6	151297	⓪LOC LF	151286	⓪REPT	151291
O 9	151300	T 5	151296	CAR RET	151311	⓪LOC CR	151287	⓪SEND	164434
P 0	151901	U 7	151298	FIGS	151312	⓪KBD UNLK	151288	⓪RECEIVE	164435

⓪RED KEYTOPS, ALL OTHER KEYTOPS ARE GRAY-GREEN, ALL CHARACTERS ARE WHITE

KEYLEVER ASSEMBLIES					KEYLEVER ASSEM. MOD. KITS					KEYLEVER ASSEMBLIES					KEYLEVER ASSEM. MOD. KITS				
KEYTOP DESCRIPTION	PART NUMBER	KEYTOP ARRANGEMENTS				151934 ARA to ARC	152904 ARC to ARD	152905 ARC to ARB	152906 ARC to ARA	KEYTOP DESCRIPTION	PART NUMBER	KEYTOP ARRANGEMENTS				151934 ARA to ARC	152904 ARC to ARD	152905 ARC to ARB	152906 ARC to ARA
		ARA	ARB	ARC	ARD							ARA	ARB	ARC	ARD				
A -	151302	X	X	X					J ↘	152010				X		X			
A ↑	152001				X		X		J ,	151904			X	X					
B ?	151317	X						X	K (	151309	X							X	
B 5/8	151909		X	X	X				K 1/2	151905		X	X	X					
B ⊕	152002				X		X		K ←	152011				X		X			
C 1/8	151907		X	X	X				L )	151310	X							X	
C O	152003				X		X		L 3/4	151906		X	X	X					
C	151315	X						X	L ↖	152012				X		X			
D \$	151304	X	X	X					N 7/8	151910		X	X	X					
D ↗	152004				X		X		N ⊕	152013				X		X			
F !	151305	X						X	N ,	151318	X							X	
F 1/4	151902		X	X	X				V 3/8	151908		X	X	X					
F →	152005				X		X		V ⊕	152014				X		X			
G &	151306	X	X	X					V ;	151316	X							X	
G ↘	152006				X		X		Z "	151313	X	X	X						
H #	152009	X	X					X	Z +	152015				X		X			
H STOP	151903			X	X					151322									
H ↓	152008				X		X		-	152016				X		X			
J ▽	151308	X	X					X											

FIGURE 12. KEYLEVER ASSEMBLIES

COPPER KEY - TO MANUAL

KEYTOP DESCRIPTION	PART NUMBER	KEYTOP DESCRIPTION	PART NUMBER	KEYTOP DESCRIPTION	PART NUMBER
A	154530	F	1/3	N	152138
A	157329	G		N	155029
A	157365	G	ON	N	157353
A	158410	G	↓	N	157357
A	158438	G	TAB	N	157942
B	152133	G	9	N	157945
B	152136	G	TFO	N	157949
B	154525	G	FO	N	157951
B	155034	G	!	N	157959
B	157342	G	:	N	157970
B	157345	G	OFF	N	158412
B	157354	G	•	N	158427
B	157334	H		P	151301
B	157944	H	!	R	158450
B	157961	H	!	S	152131
B	158414	H	OFF	S	157367
B	158417	H	?	S	154535
B	158419	H	?	S	155030
B	158434	H	→	S	157328
B	158443	H	FO	S	157351
B	158452	H	&	S	158439
C	164457	J		S	158445
C	154523	J	J	U	157327
C	155035	J	YIP	V	154524
C	157321	J	∅	V	152139
C	157339	J	c	V	157325
C	157343	J	BELL	V	155033
C	157346	J	x	V	155039
C	157945	J	ON	V	157336
C	157957	J	1/2	V	157361
C	157964	J	*	V	157943
C	158410	J	%	V	157950
C	158420	J	YD	V	157953
C	158441	J	Yd	V	157960
D	154531	J	=	V	157971
D	155038	J	=	V	158411
D	157322	J	TAB	V	158415
D	157326	K		V	158428
D	157331	K	&	V	158442
D	157355	K	k	X	154529
D	157956	K	NYC	X	157332
D	157967	K	STOP	X	158430
D	158421	K	↓	Z	152135
D	158448	K	!	Z	155027
D	158455	L		Z	155028
E	157940	L	&	Z	155032
F	154520	L	L	Z	157337
F	152020	L	.	Z	157352
F	152130	L	?	Z	157344
F	155025	L	ATL	Z	157948
F	155036	L	OFF	Z	158429
F	155040	M	STOP	Z	158437
F	157347	M	"	LOC	153283
F	157364	M	%	LOC	153284
F	157963	M			152137
F	158406	M	∞		154534
F	158408	M	∞	BELL	157330
F	158409	M	(	ON	157333
F	158413	M	M		158407
F	158433	N			158416
				HERE IS	163852

FIGURE 13. KEYLEVER ASSEMBLIES

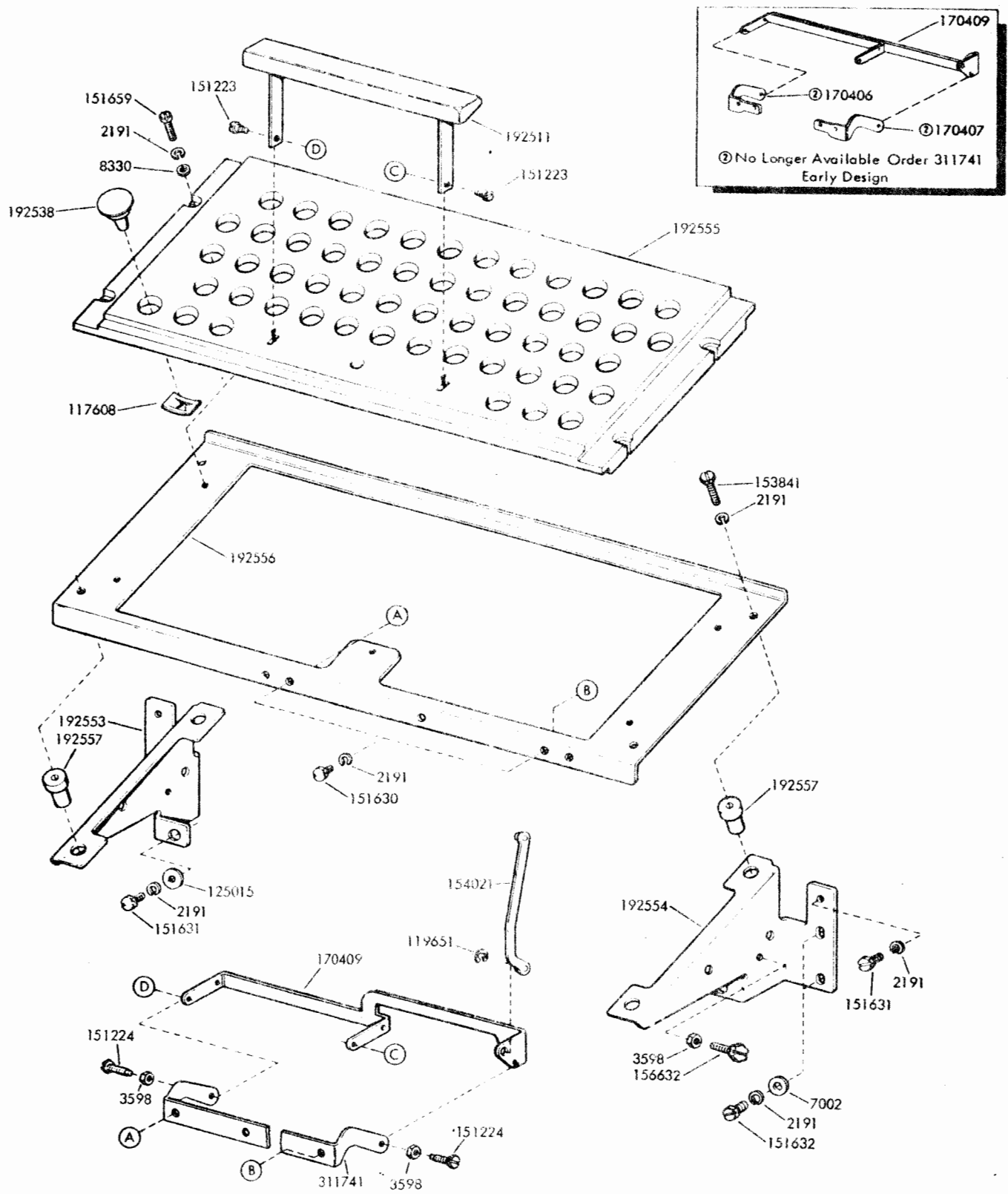


FIGURE 13. KEYBOARD MECHANISM

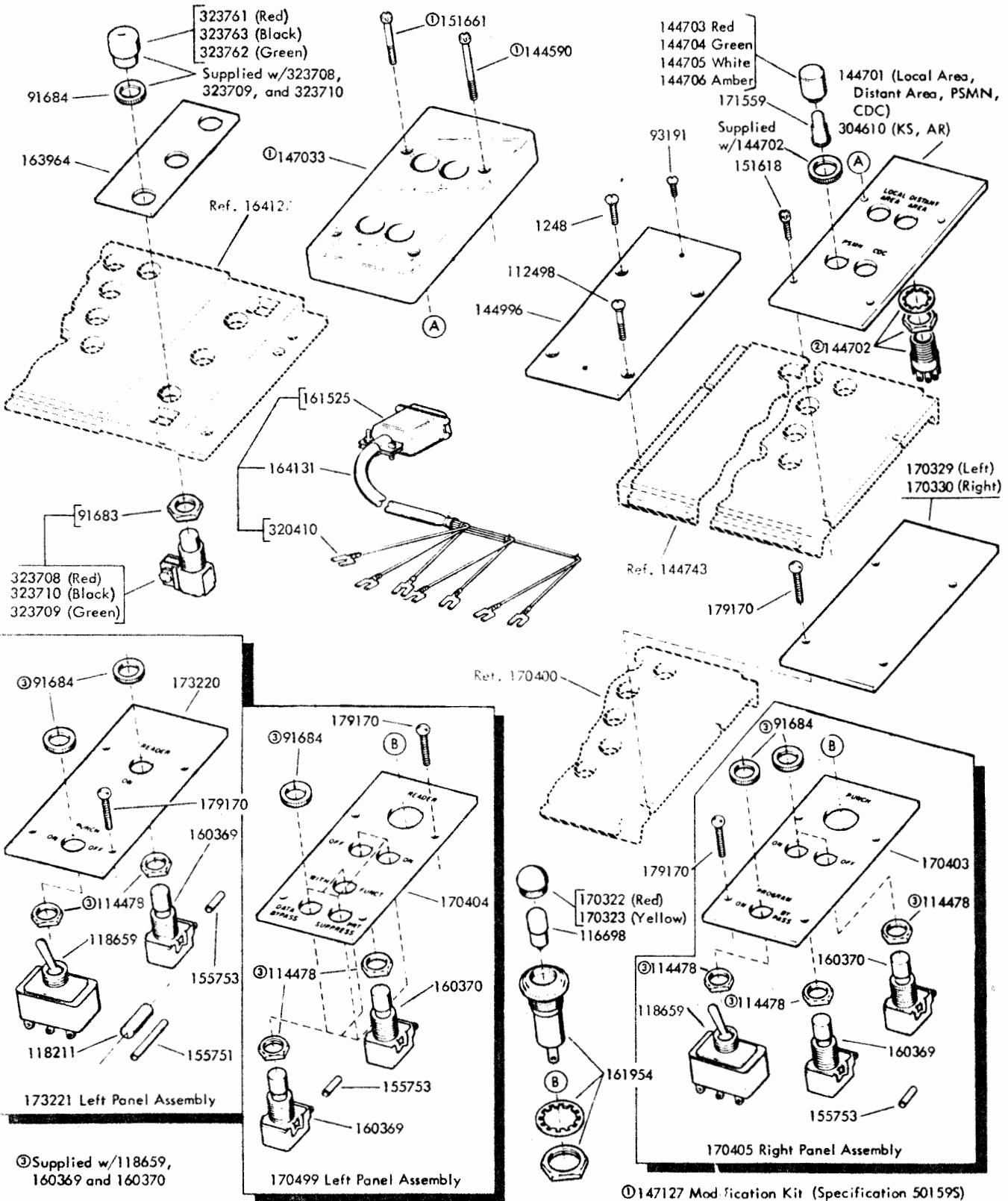
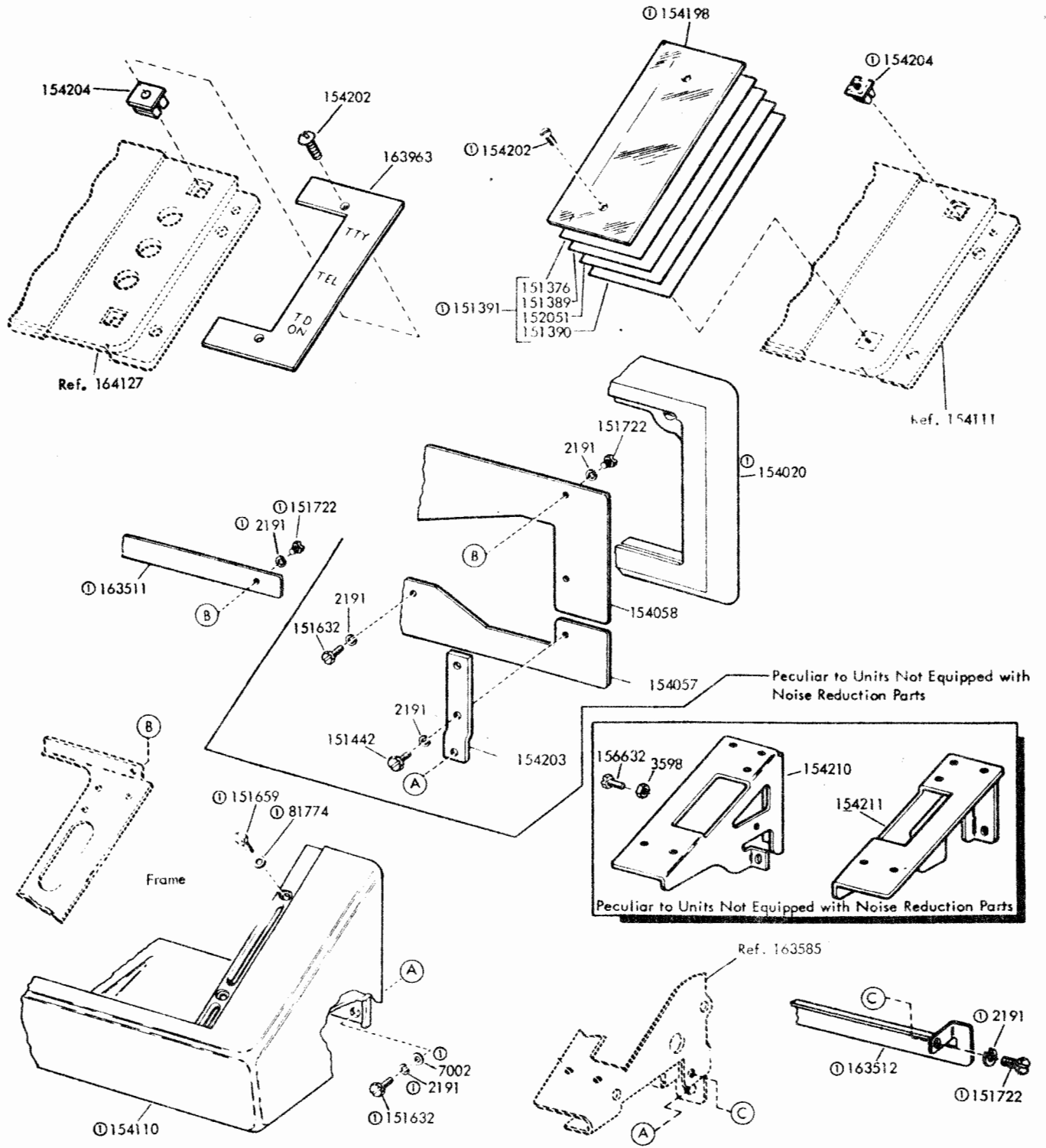


FIGURE 14. KEYBOARD TOP PLATES AND PANEL ASSEMBLIES





① 163588 Modification Kit to Adapt Keyboard for use with Table or floor Model Cabinets

FIGURE 15. KEYBOARD HOOD AND MOUNTING PARTS

FIGURE 16. CODE BAR MECHANISM (5 LEVEL)

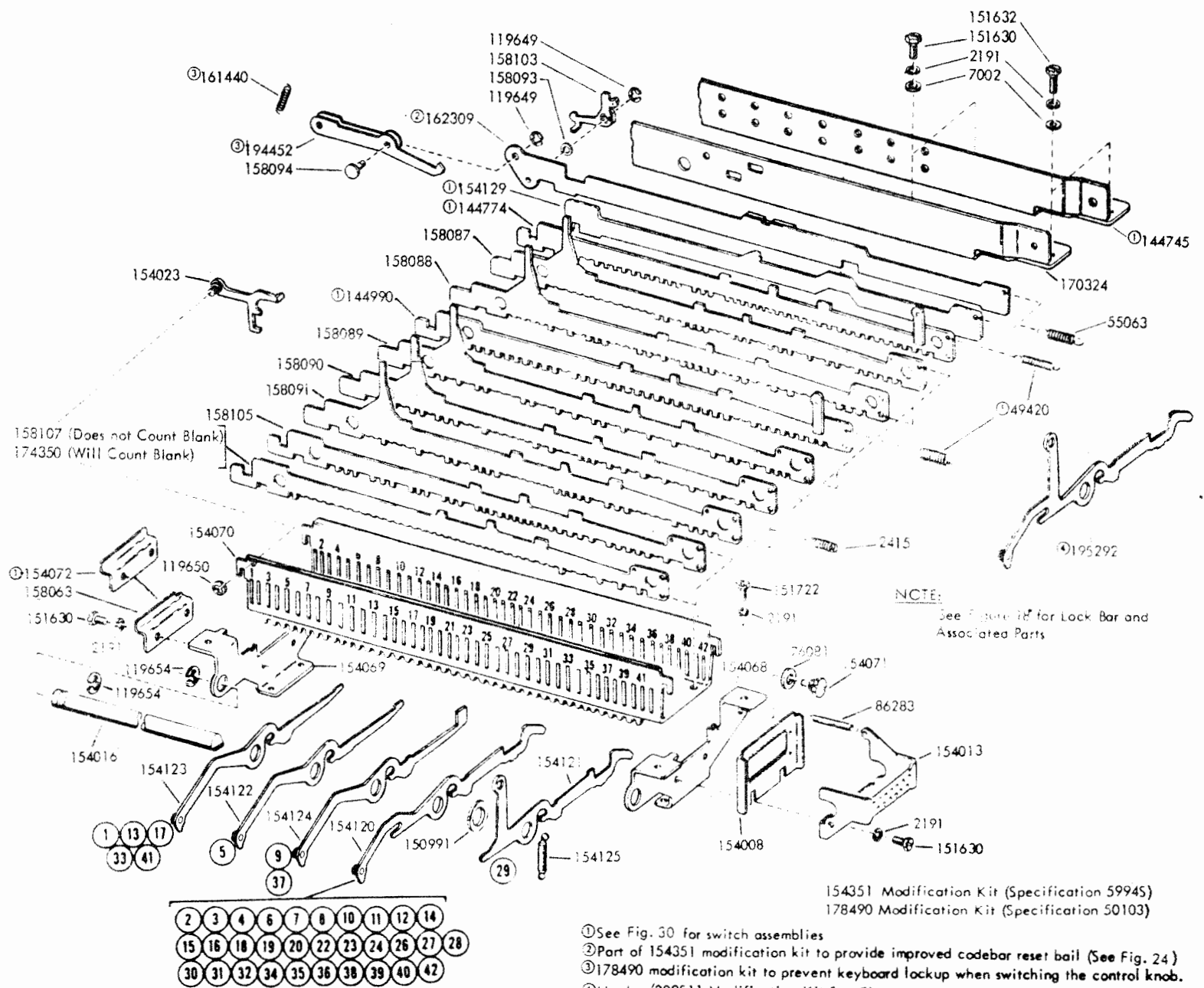
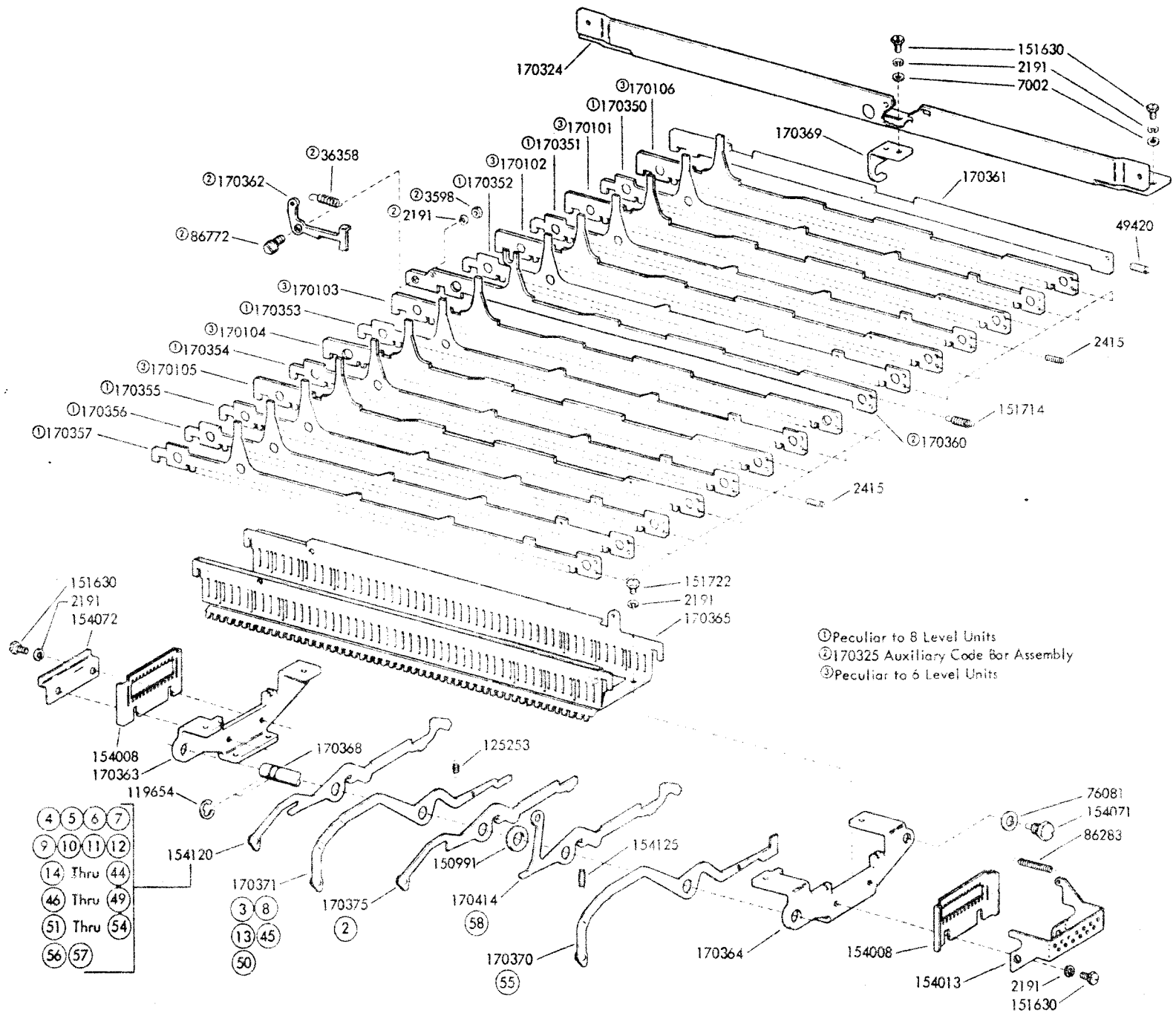


FIGURE 17. CODE BAR MECHANISM (6 AND 8 LEVEL)



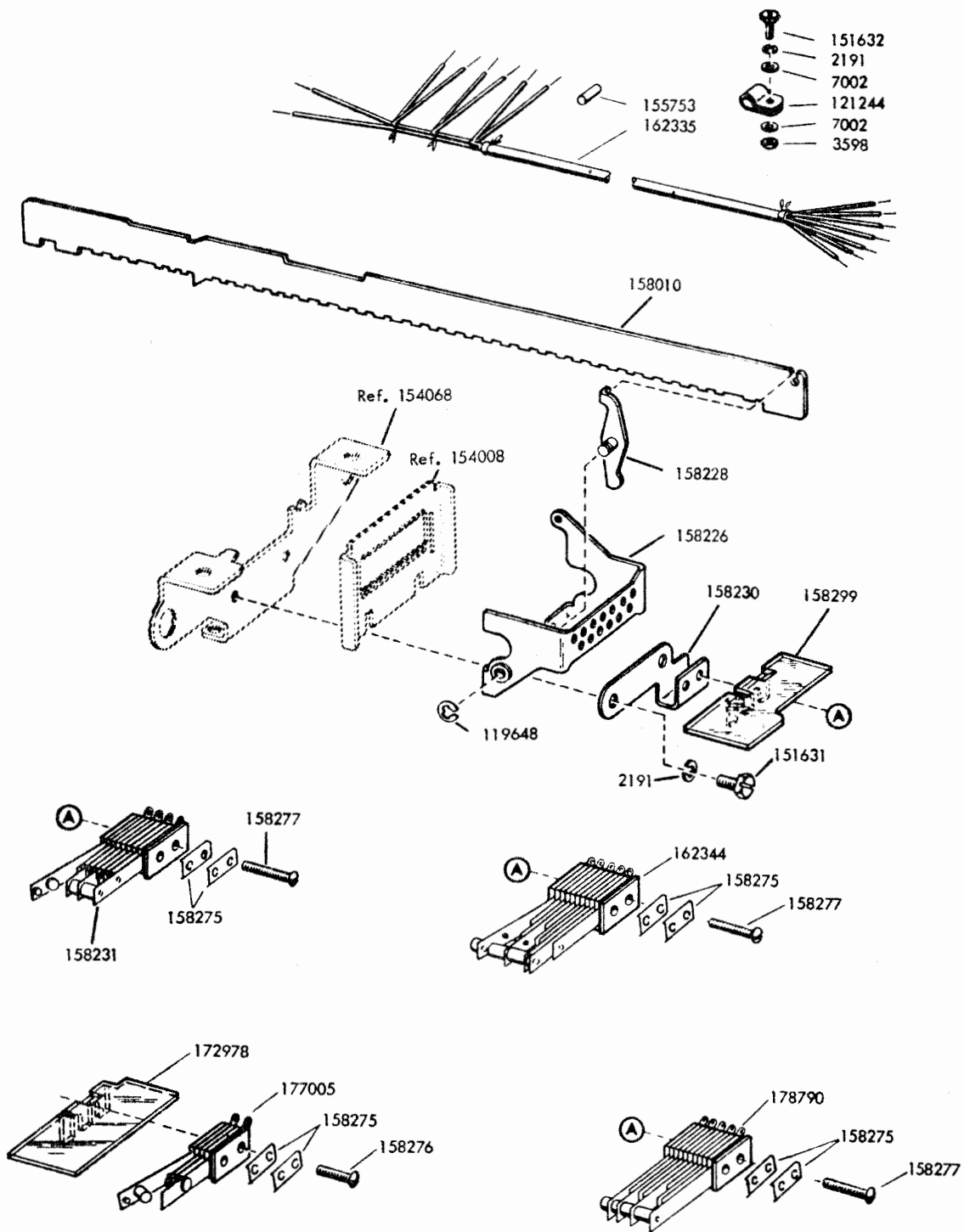
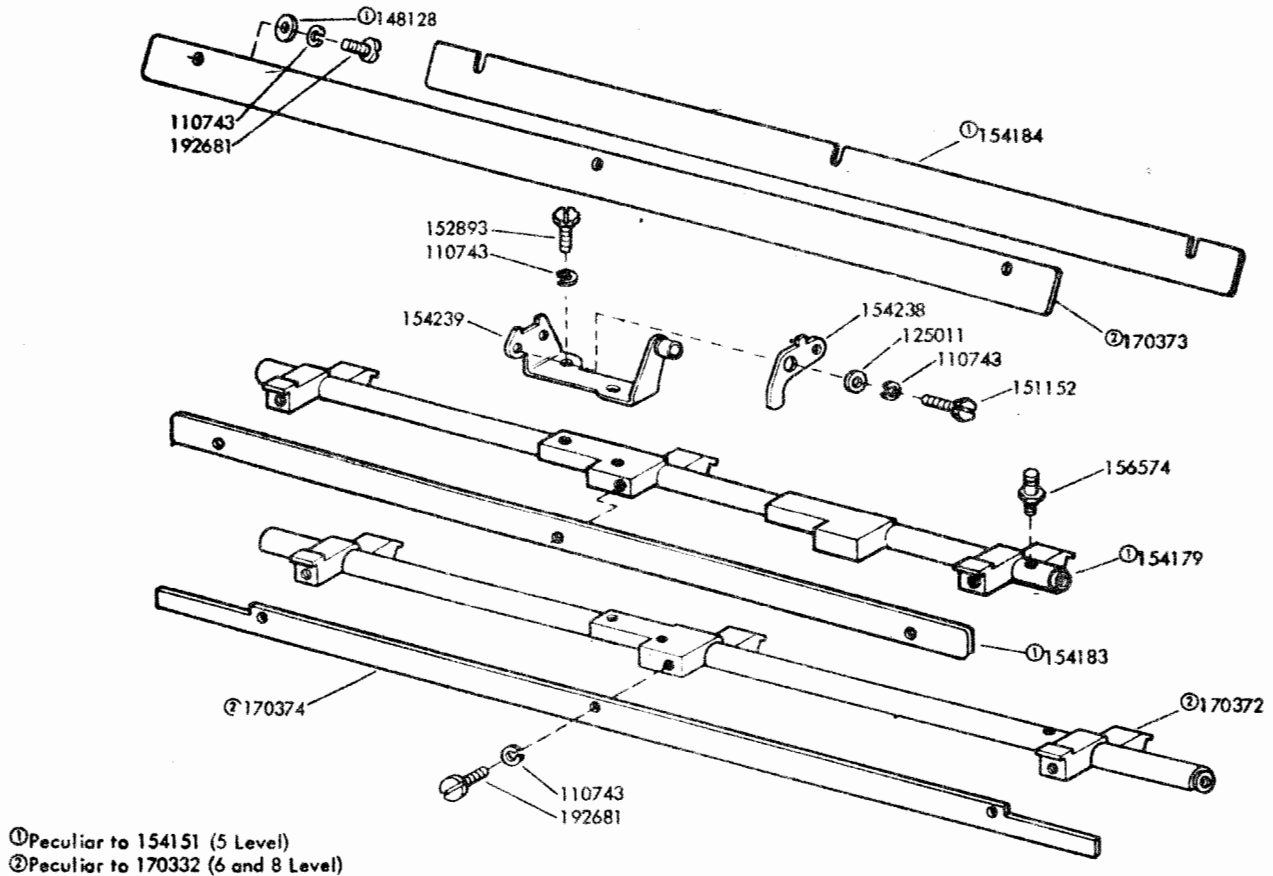
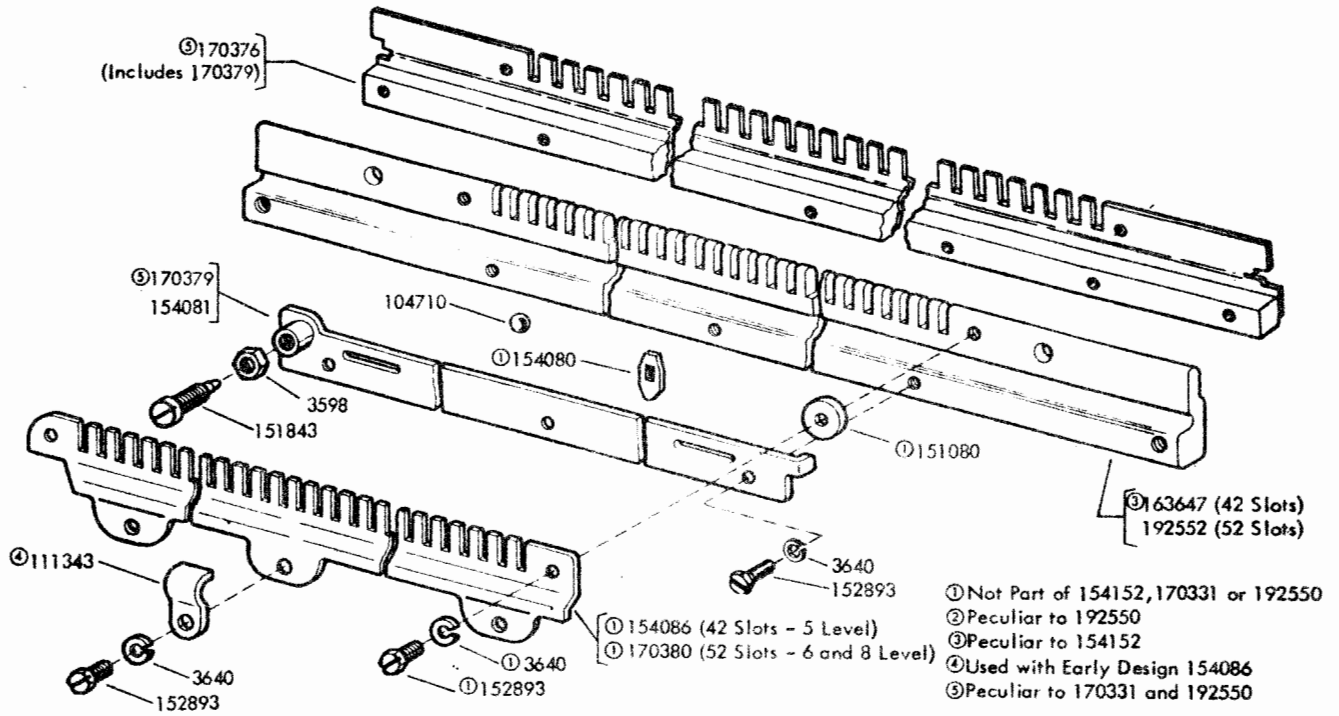


FIGURE 18. CONTACT ASSEMBLIES



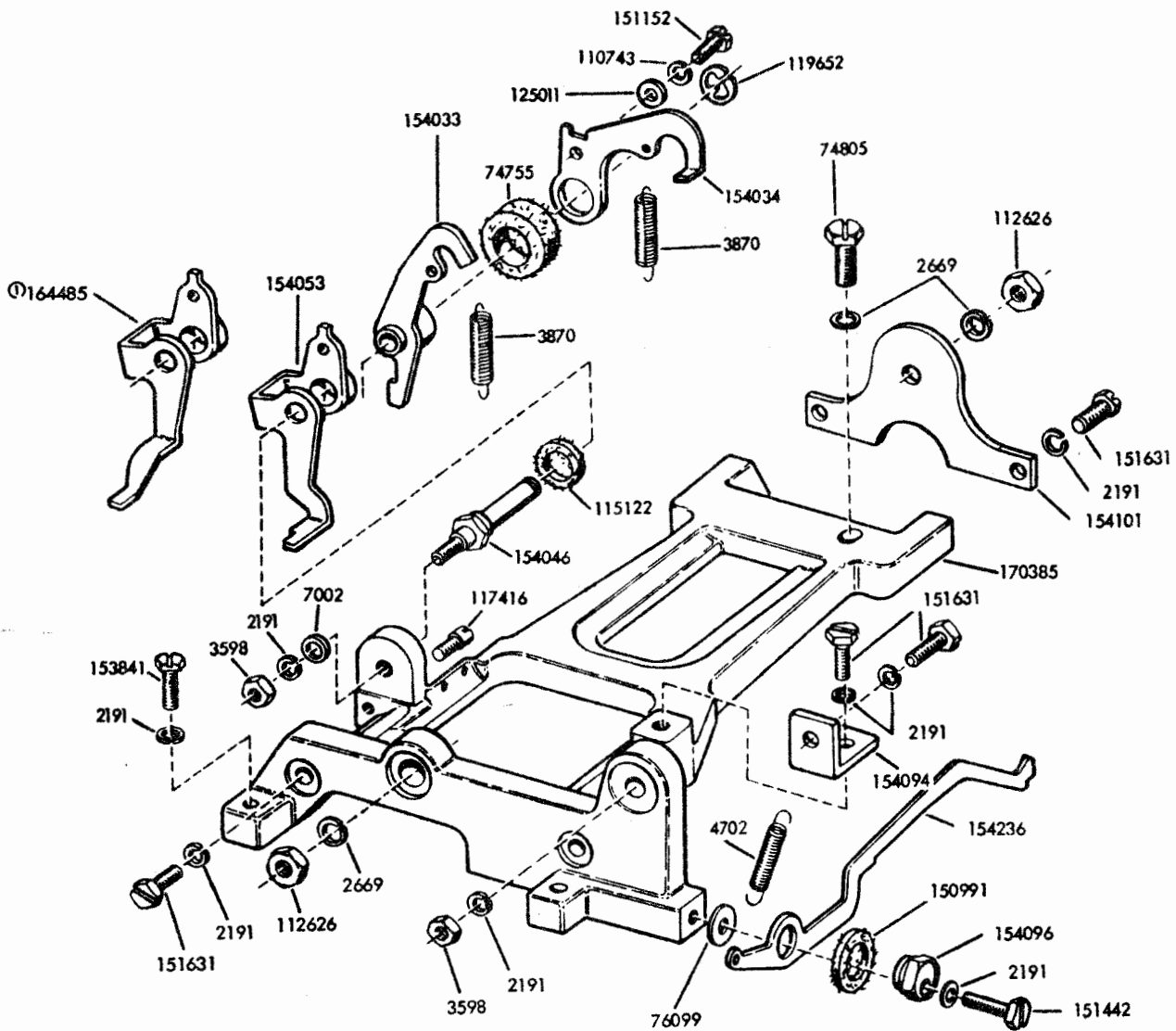
- ① Peculiar to 154151 (5 Level)
- ② Peculiar to 170332 (6 and 8 Level)

FIGURE 19. 154151 AND 170332 UNIVERSAL BAIL ASSEMBLIES



- ① Not Part of 154152, 170331 or 192550
- ② Peculiar to 192550
- ③ Peculiar to 154152
- ④ Used with Early Design 154086
- ⑤ Peculiar to 170331 and 192550

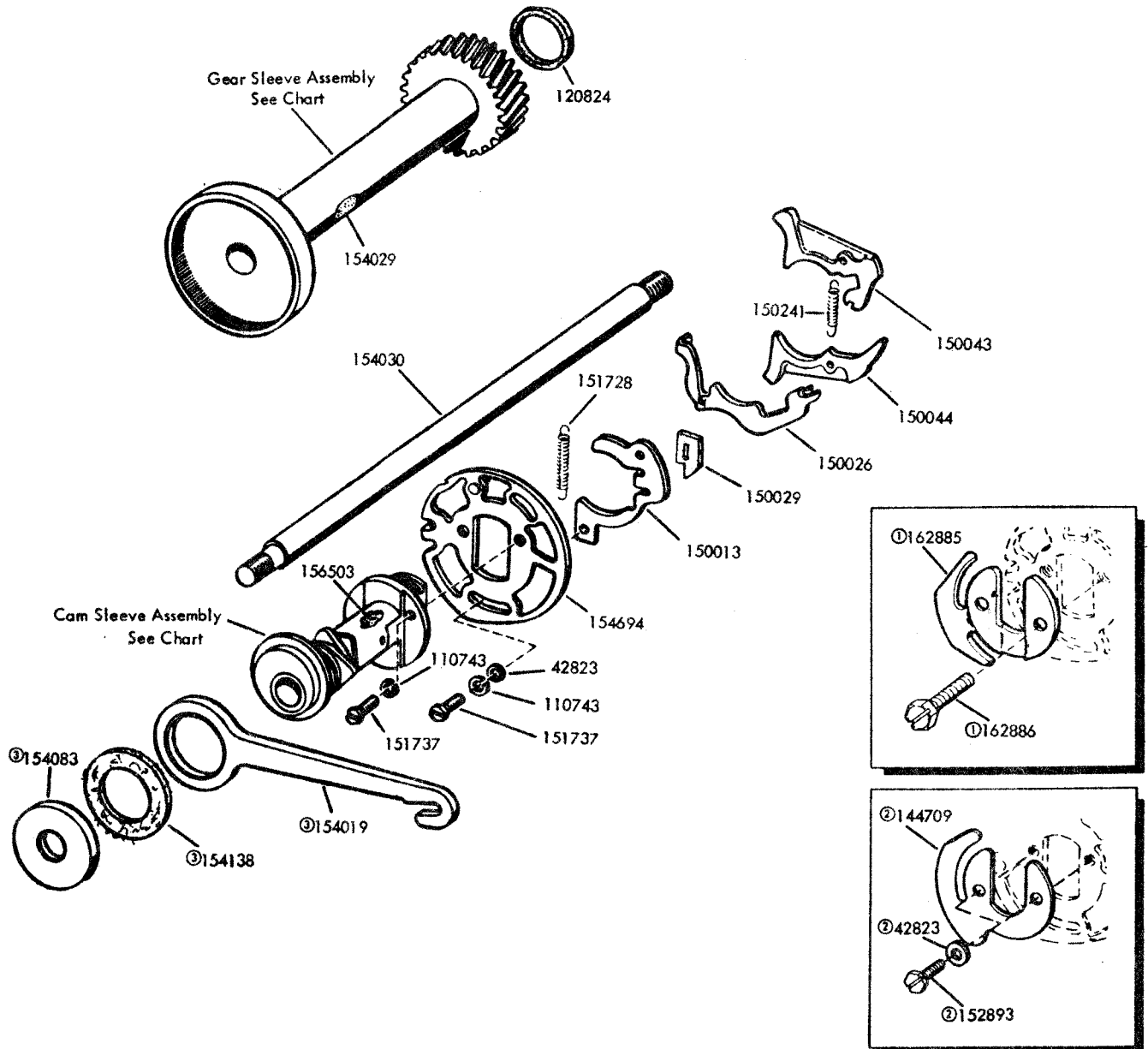
FIGURE 20. 154152 (5 LEVEL), 170331 (6 AND 8 LEVEL) AND 192550 (5 LEVEL) LOCK BAR ASSEMBLIES



Ⓞ Peculiar to Units Equipped with Synchronous Pulsed Transmission (See Fig. 38)

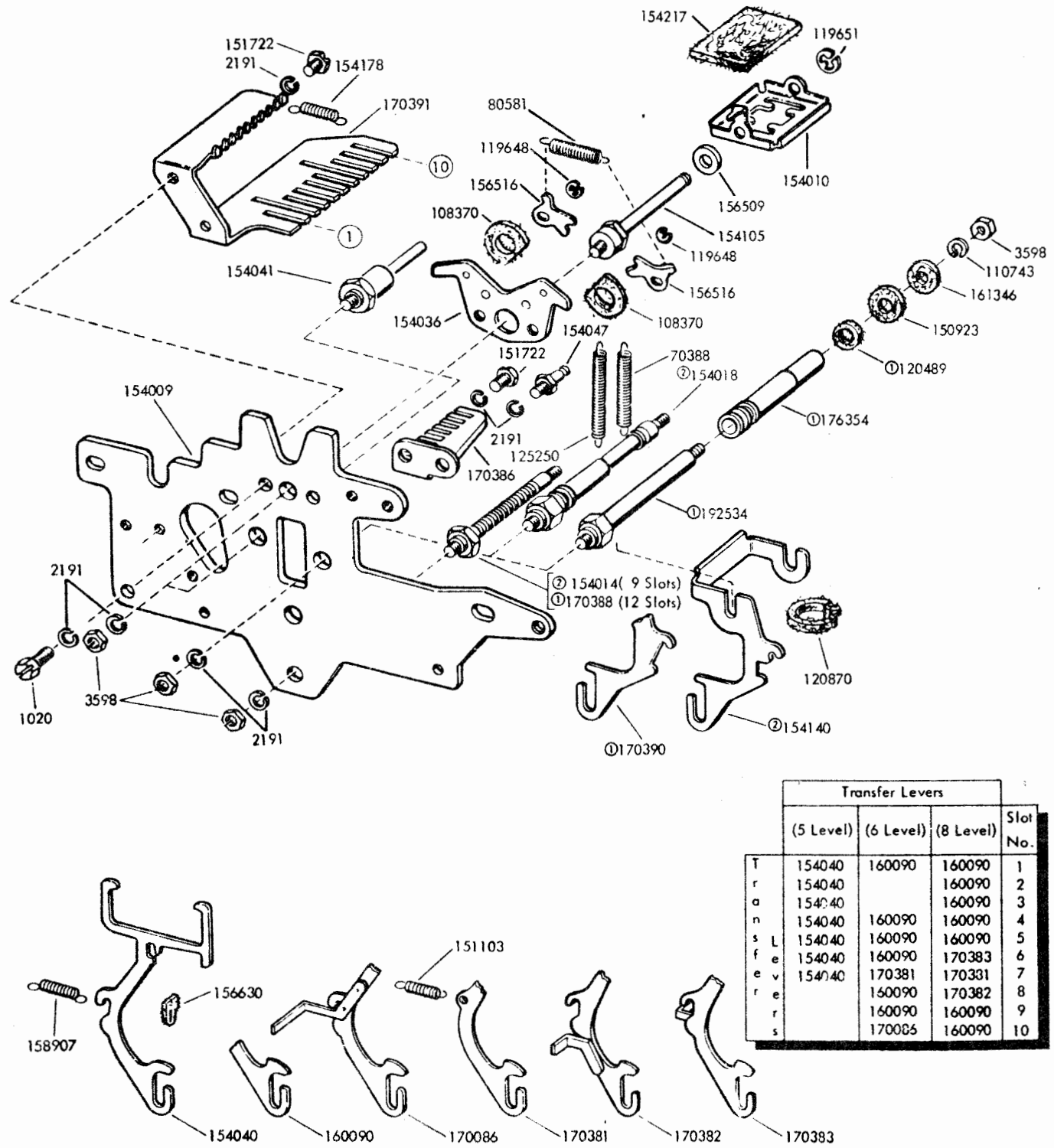
FIGURE 21. SIGNAL GENERATOR FRAME MECHANISM

SIGNAL GENERATOR SHAFT ASSEMBLY	CAM SLEEVE ASSEMBLY	GEAR SLEEVE ASSEMBLY	UNIT CODE
154163	154154	154032	7.42
164349	311451	163519	7.00
170099	170098	154032	8.50
170334	178142	154032	11.00
178785	178795	178787	7.50



- ① Part of 178346 Modification Kit  
(See Fig. 36)
- ② Part of 144708 Modification Kit  
(See Fig. 31)
- ③ Not Part of Signal Generator Shaft Assemblies

FIGURE 22. SIGNAL GENERATOR SHAFT ASSEMBLIES



① Peculiar to 6 and 8 Level Units Only  
 ② Peculiar to 5 Level Units Only

FIGURE 23. SIGNAL GENERATOR FRONT PLATE MECHANISM



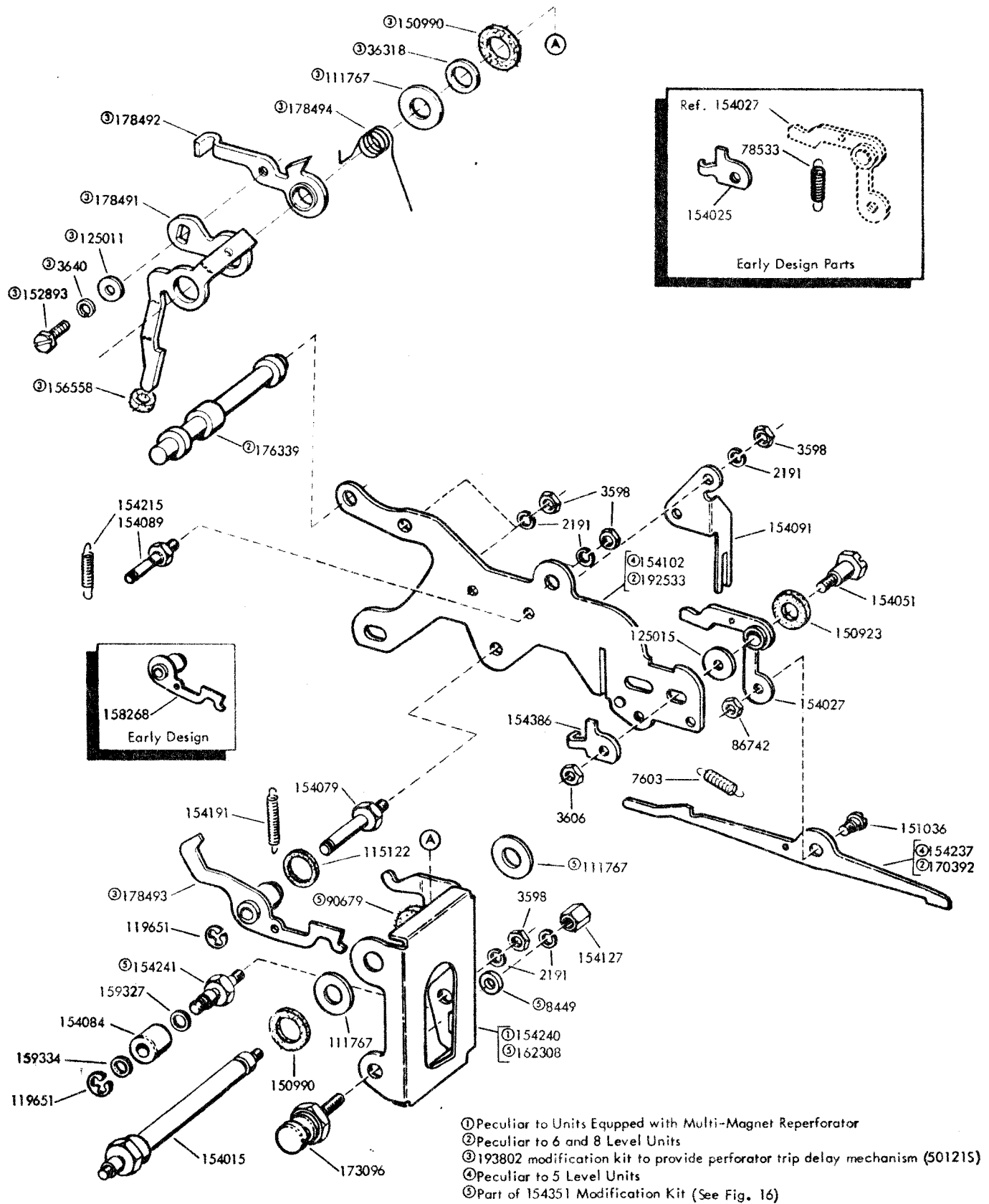


FIGURE 24. SIGNAL GENERATOR REAR PLATE MECHANISM

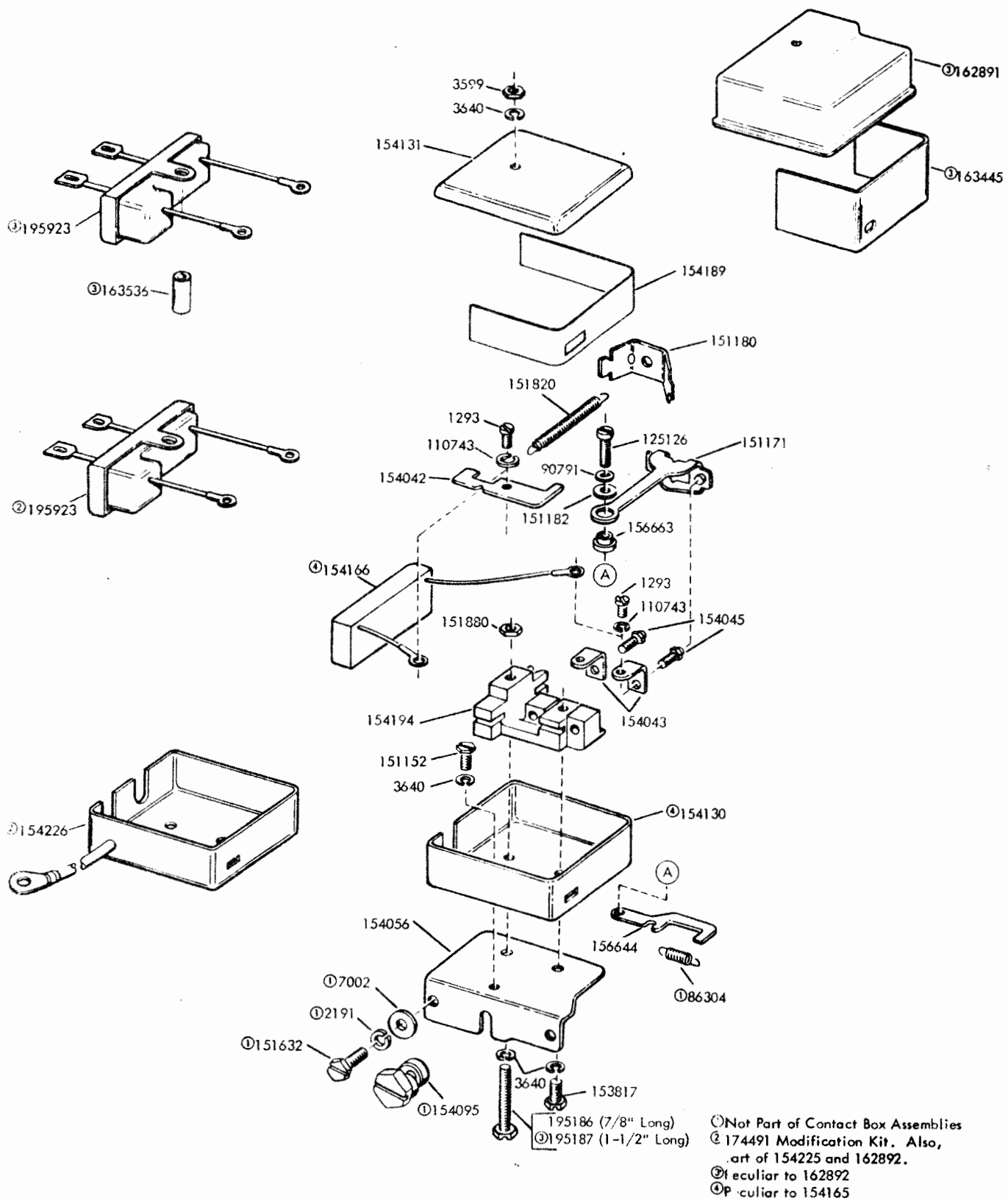
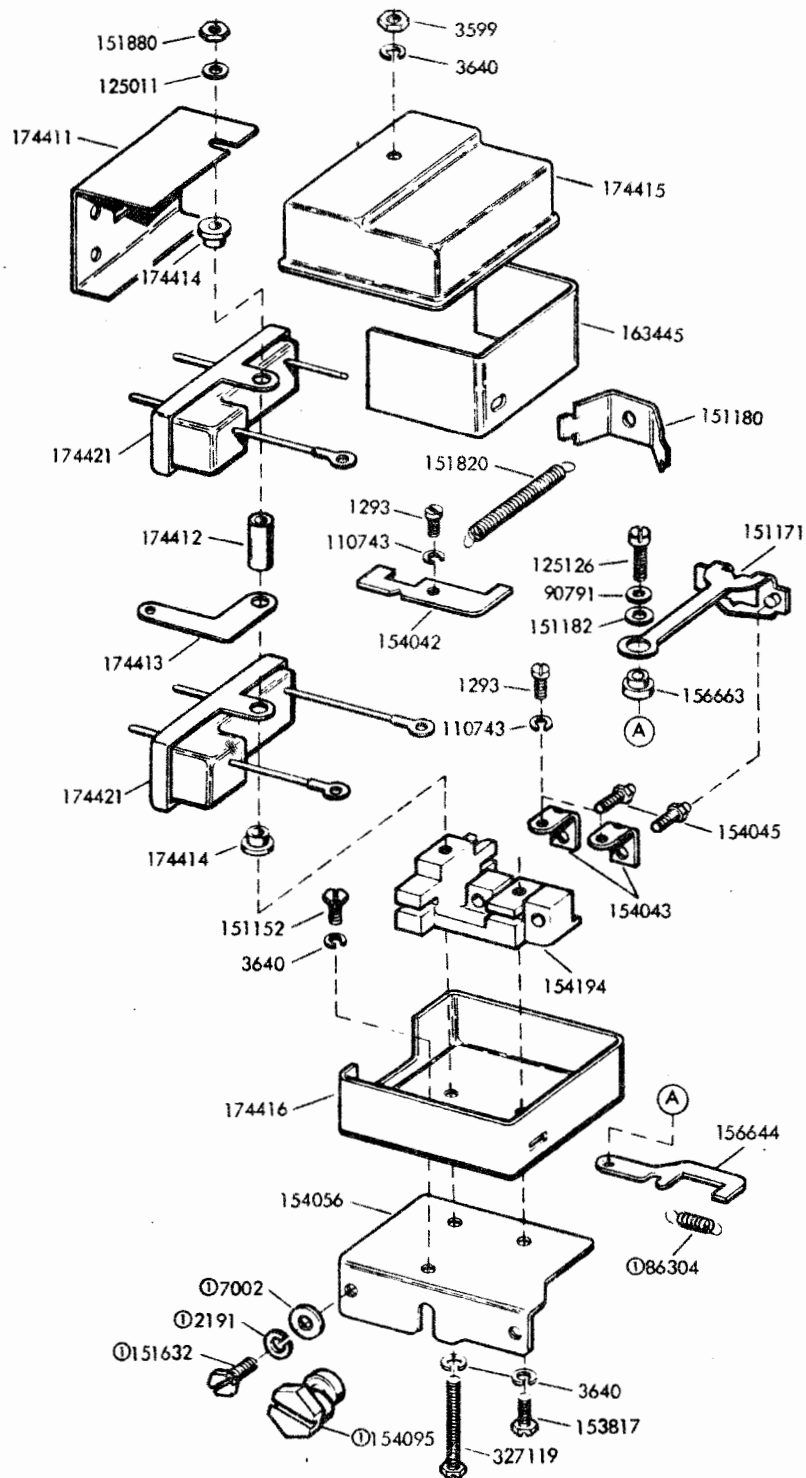


FIGURE 25. 154165 (W/ARC SUPPRESSION) 154225 (W/RF SUPPRESSION) - NEUTRAL TRANSMISSION AND 162892 (W/RF SUPPRESSION - POLAR TRANSMISSION) CONTACT BOX ASSEMBLIES



Ⓐ Not Part of 174410

FIGURE 26. 174410 CONTACT BOX ASSEMBLY W/RF SUPPRESSION - POLAR TRANSMISSION (SHIELDED SIGNAL LINES)

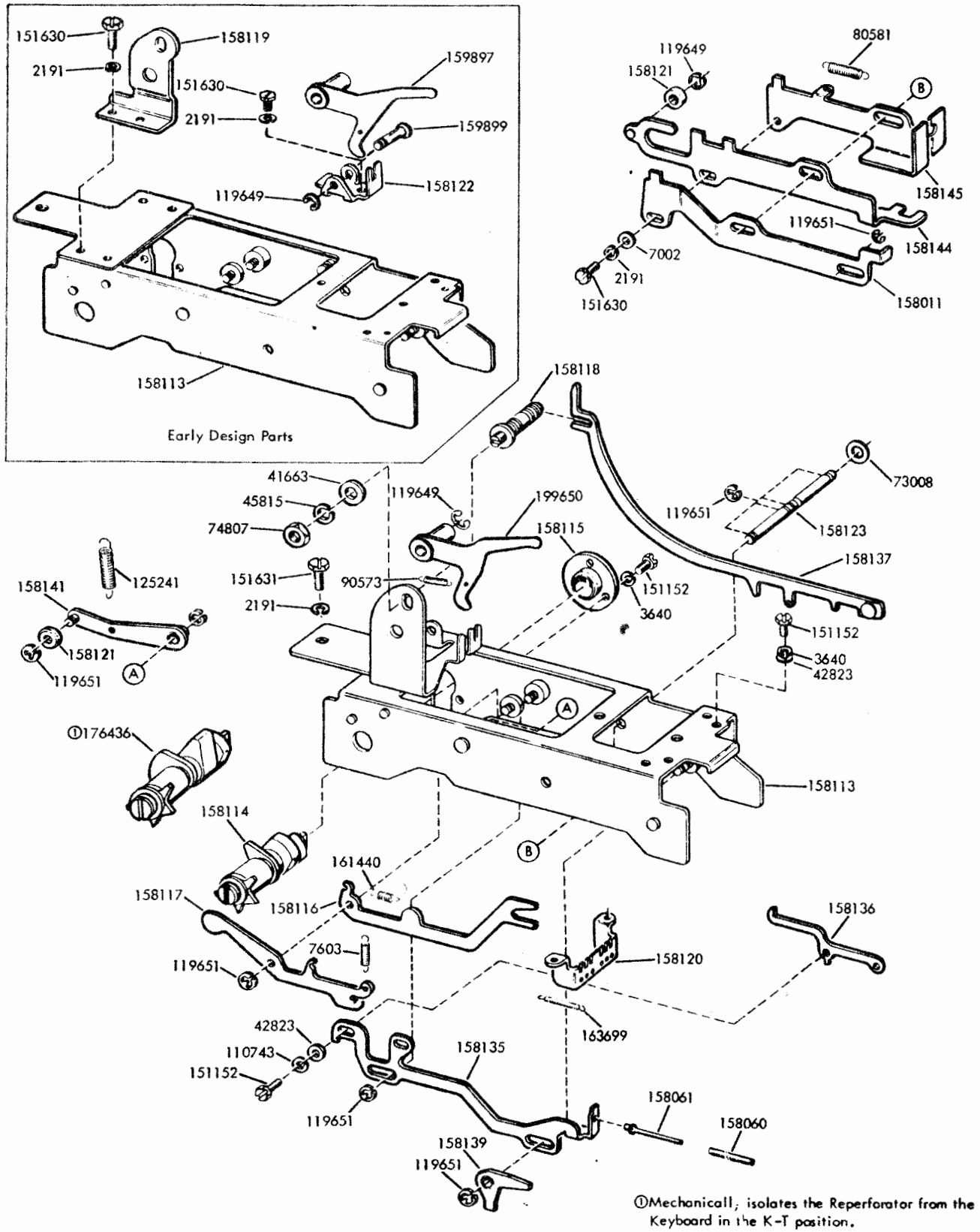


FIGURE 27. CODE BAR EXTENSION BASKET MECHANISM

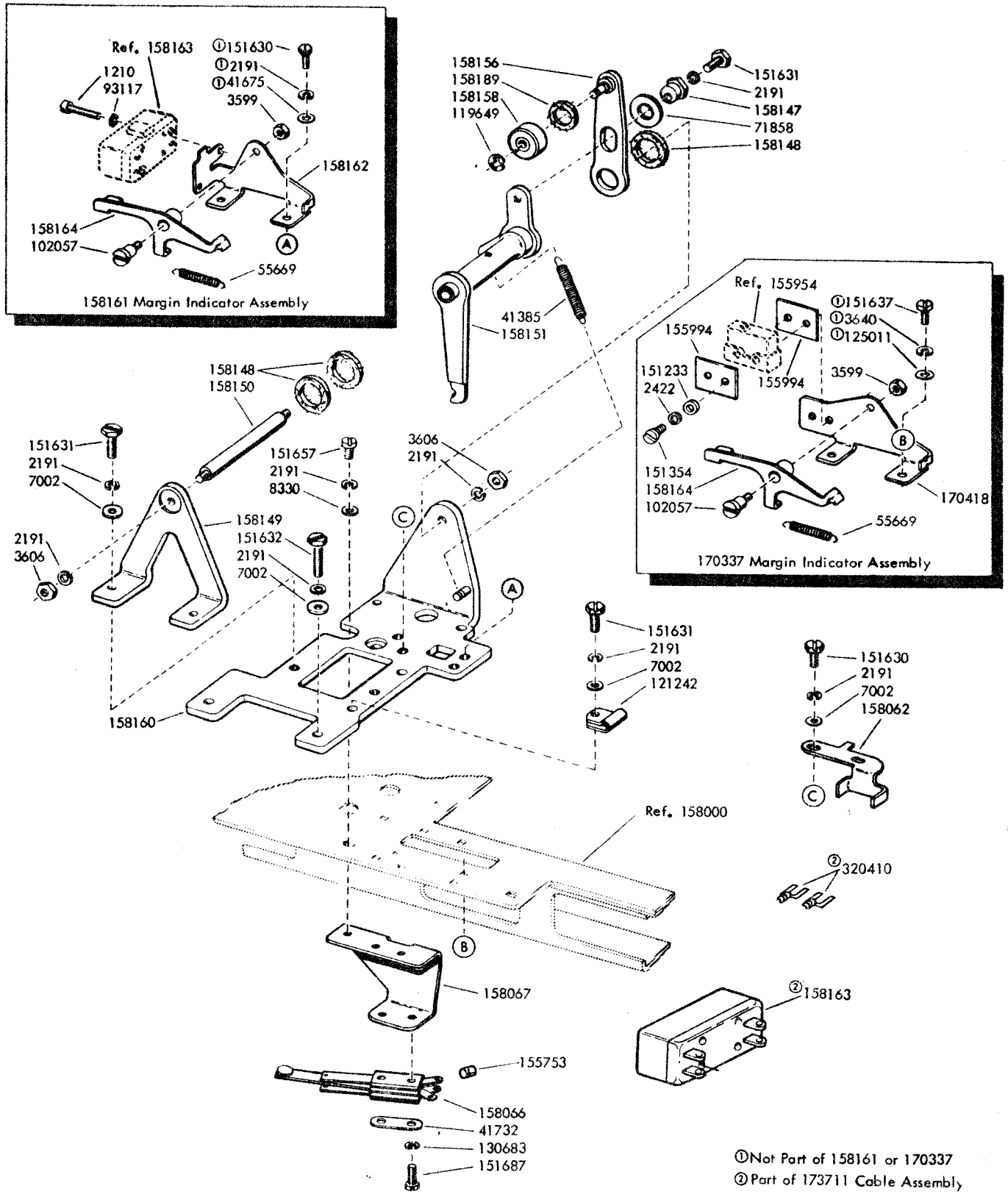


FIGURE 28. CAM FOLLOWER MECHANISM AND MARGIN INDICATOR ASSEMBLIES

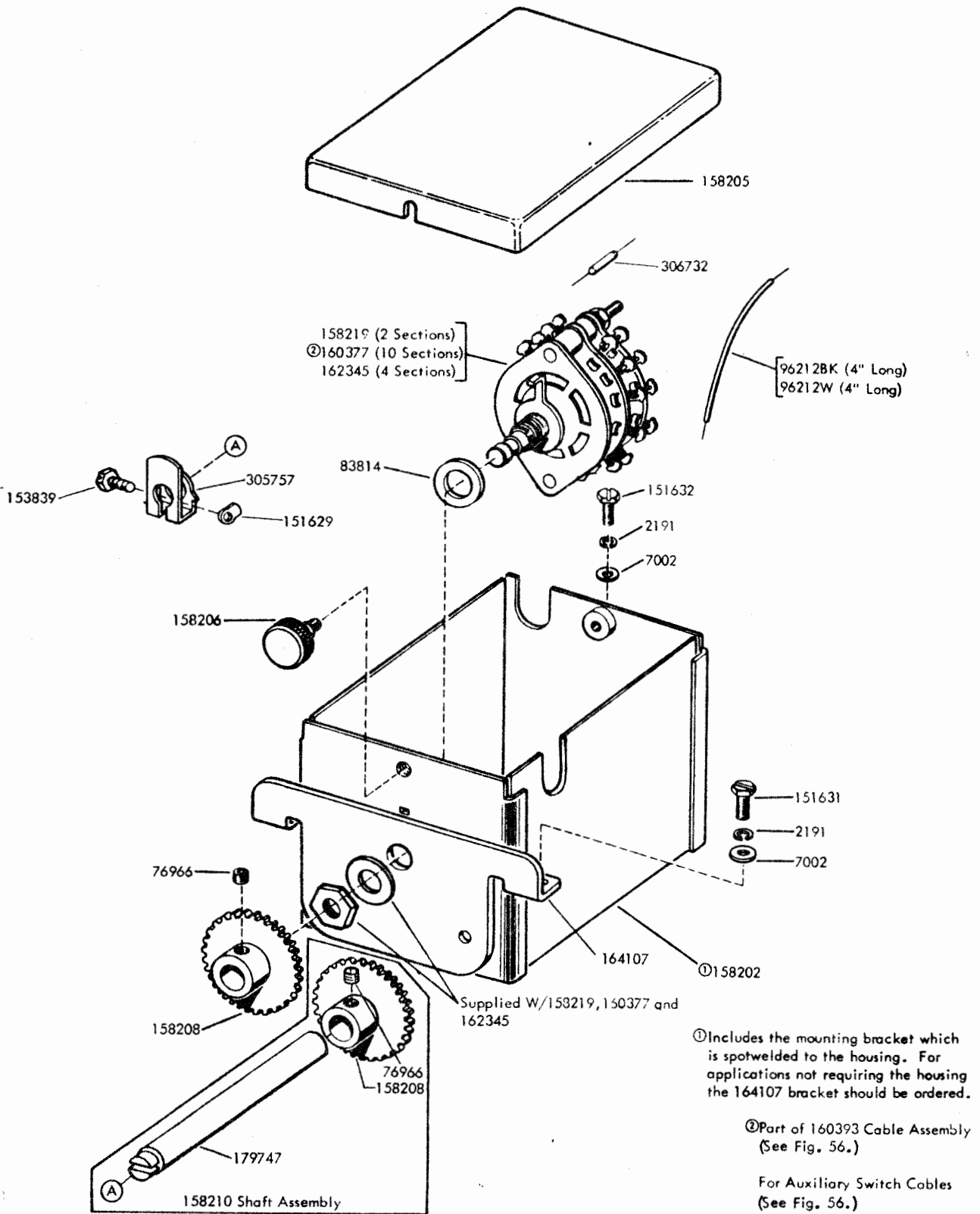
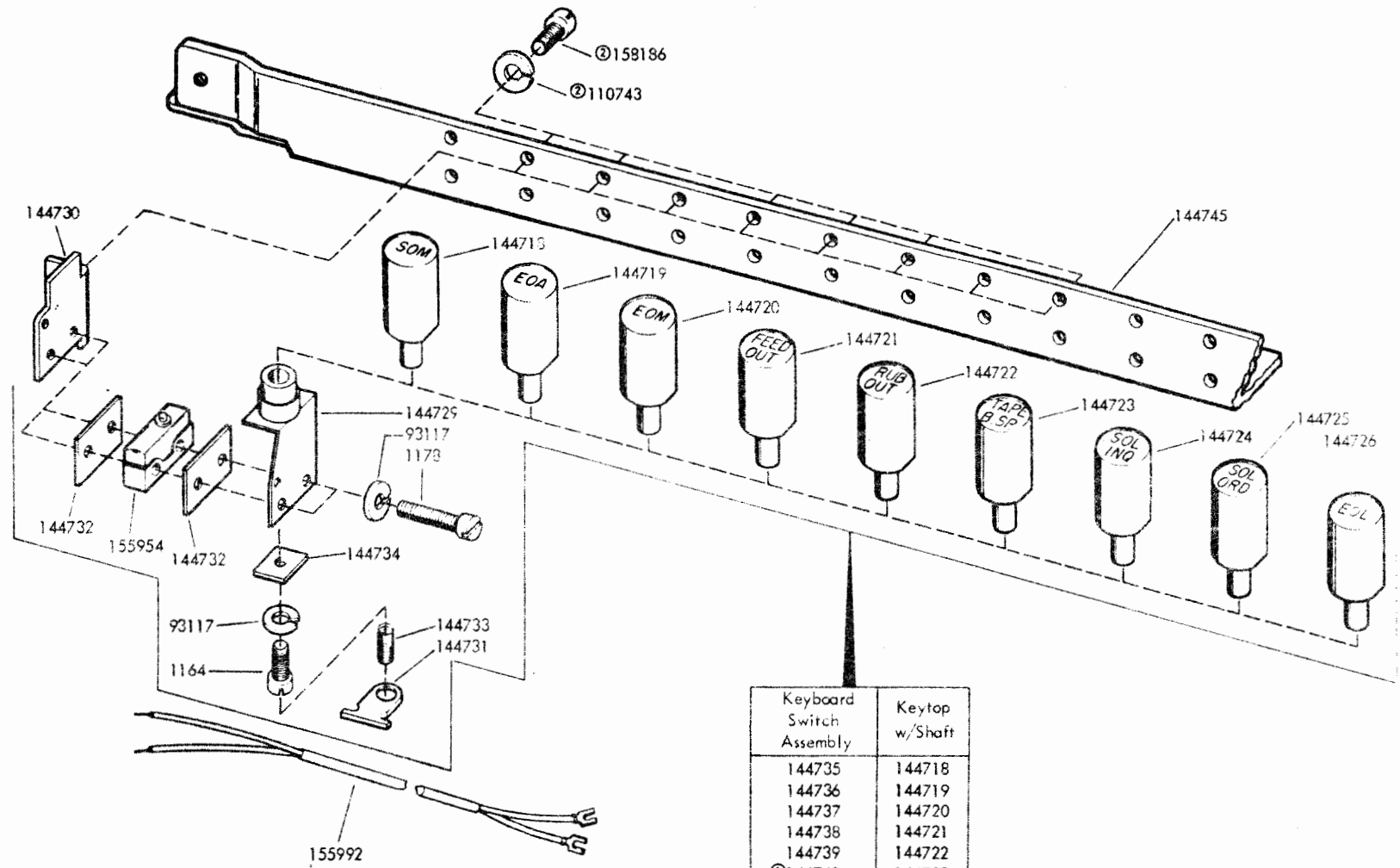


FIGURE 29. AUXILIARY SWITCH MECHANISM

FIGURE 30. KEYBOARD SWITCH ASSEMBLIES



Keyboard Switch Assembly	Keytop w/Shaft
144735	144718
144736	144719
144737	144720
144738	144721
144739	144722
①144740	144723
③147069	144724
③147070	144725
③147071	144726
	199100
	199101
	199102
	199103

- ①Also Includes 155992 Cable Assembly
- ②Not Part Of Keyboard Switch Assemblies
- ③No Longer Available

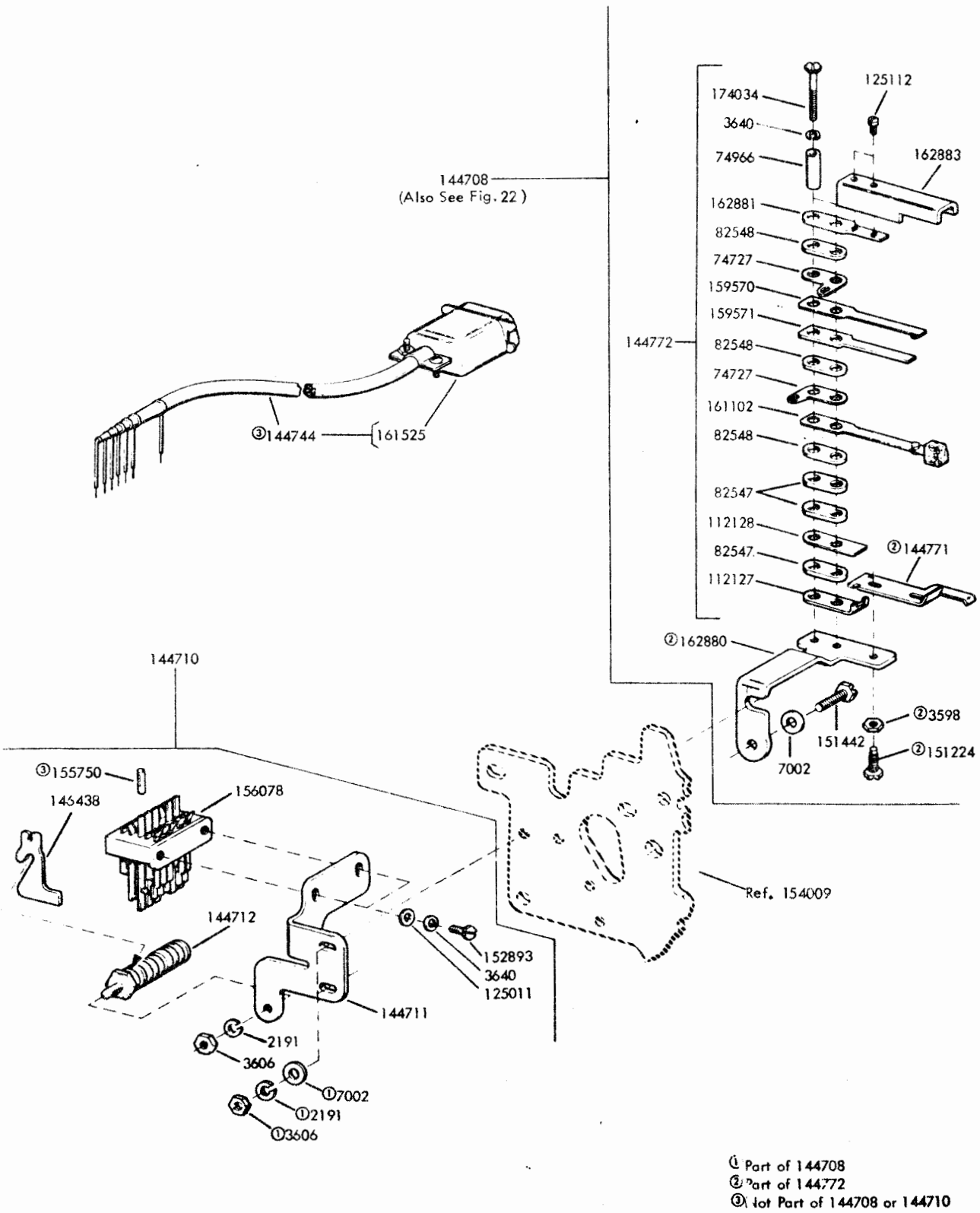
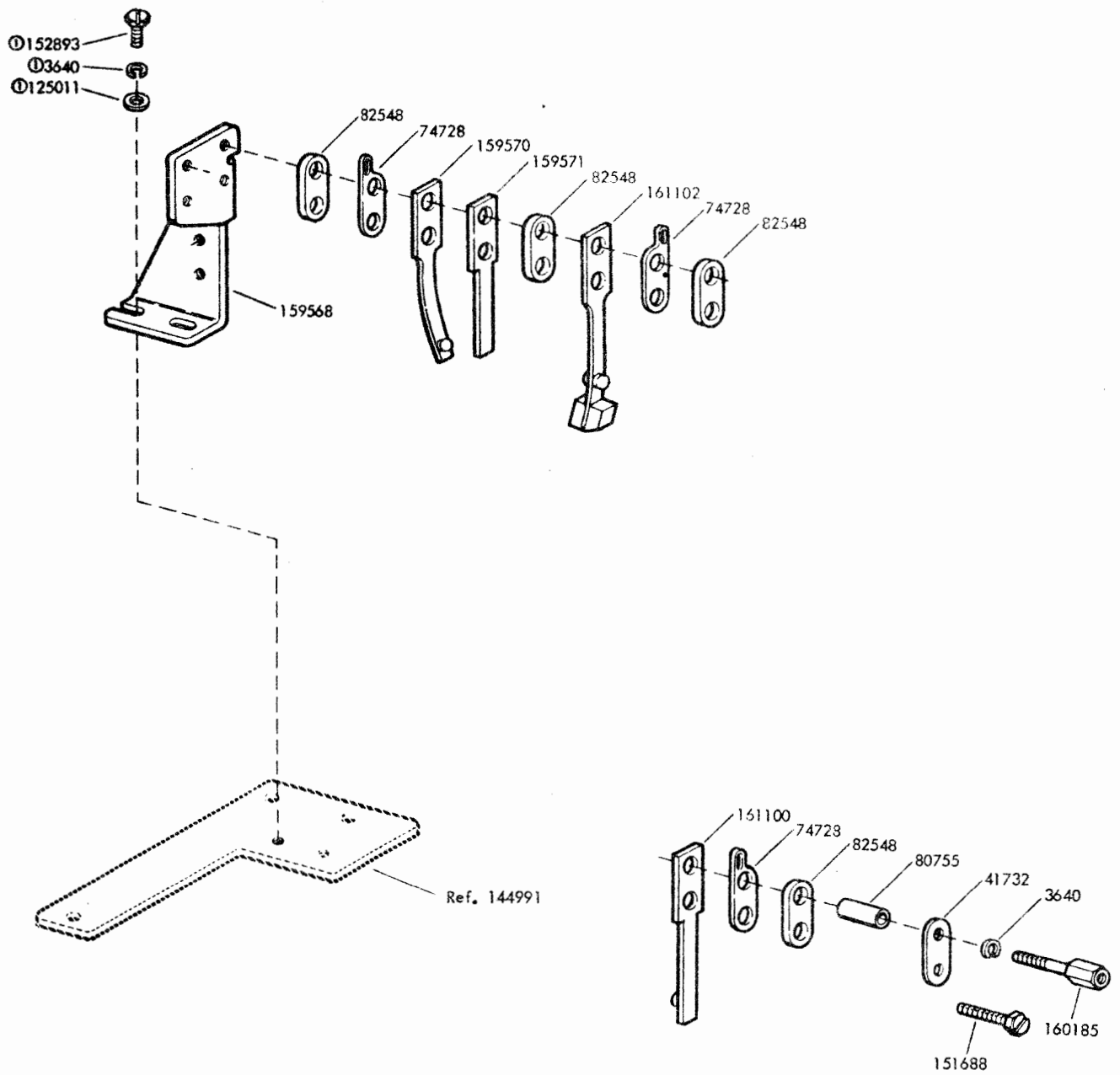


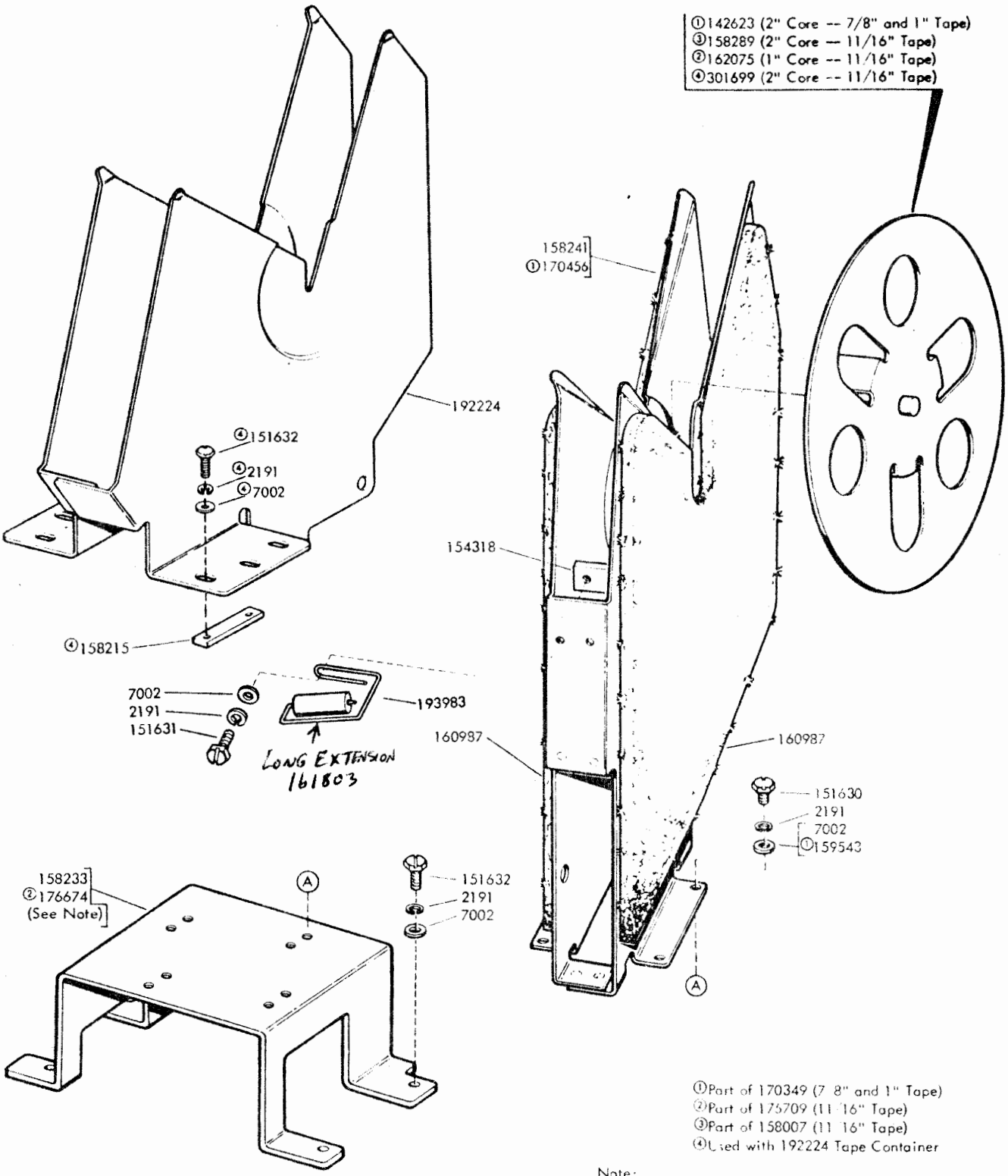
FIGURE 31. 144708 (FUNCTION MAGNET CONTACT) AND 144710 CODE READING CONTACTS) MODIFICATION KITS





①Not Part of 144997

FIGURE 32. 144997 FIGURES-LETTERS CONTACT ASSEMBLY



Note:  
 The 176674 bracket is used to mount the tape container when a perforator is motorized.

FIGURE 33. 158007, 170349 AND 176709 TAPE CONTAINER ASSEMBLIES

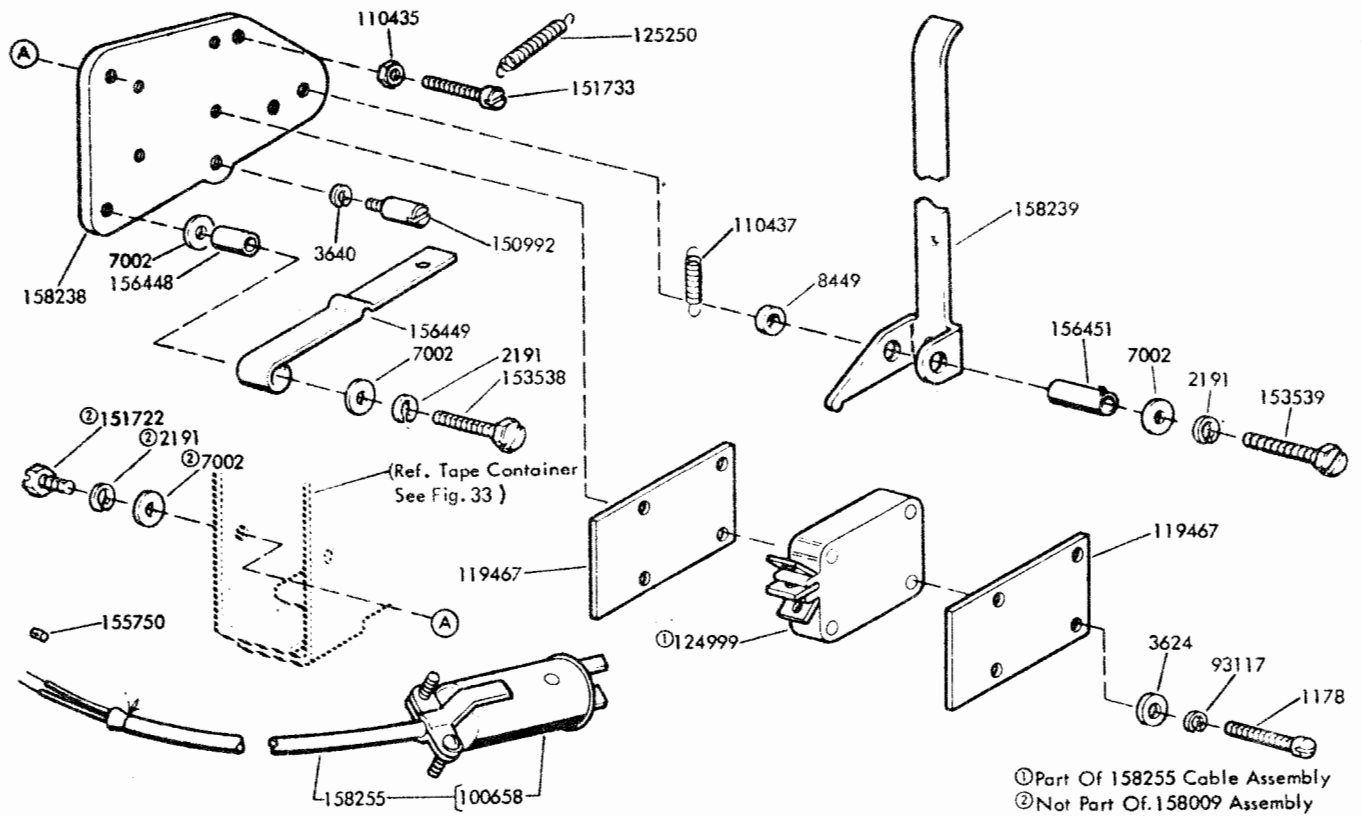


FIGURE 34. 158009 (TWO WIRE) TAPE-OUT SWITCH ASSEMBLY

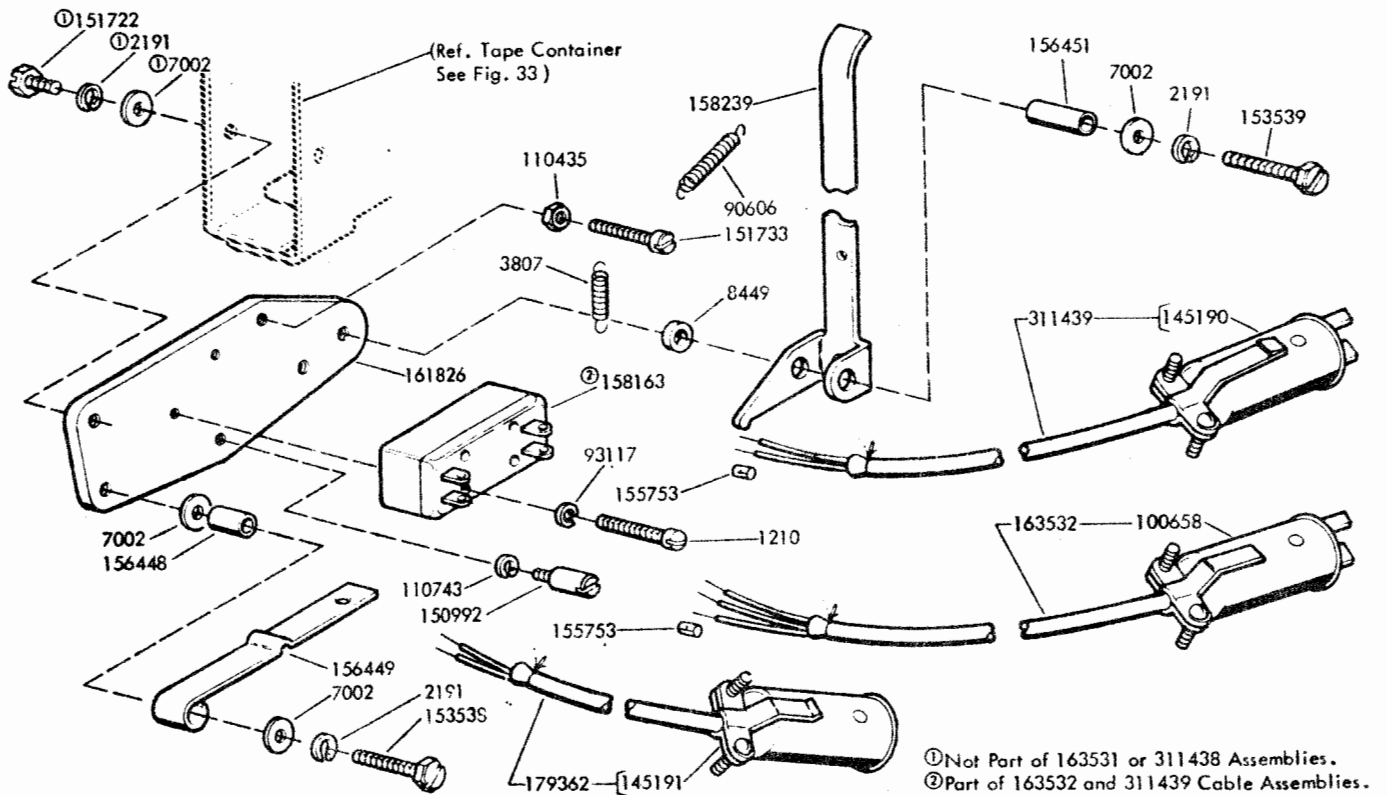


FIGURE 35. 163531 (THREE WIRE) AND 311438 (TWO WIRE) TAPE-OUT SWITCH ASSEMBLIES

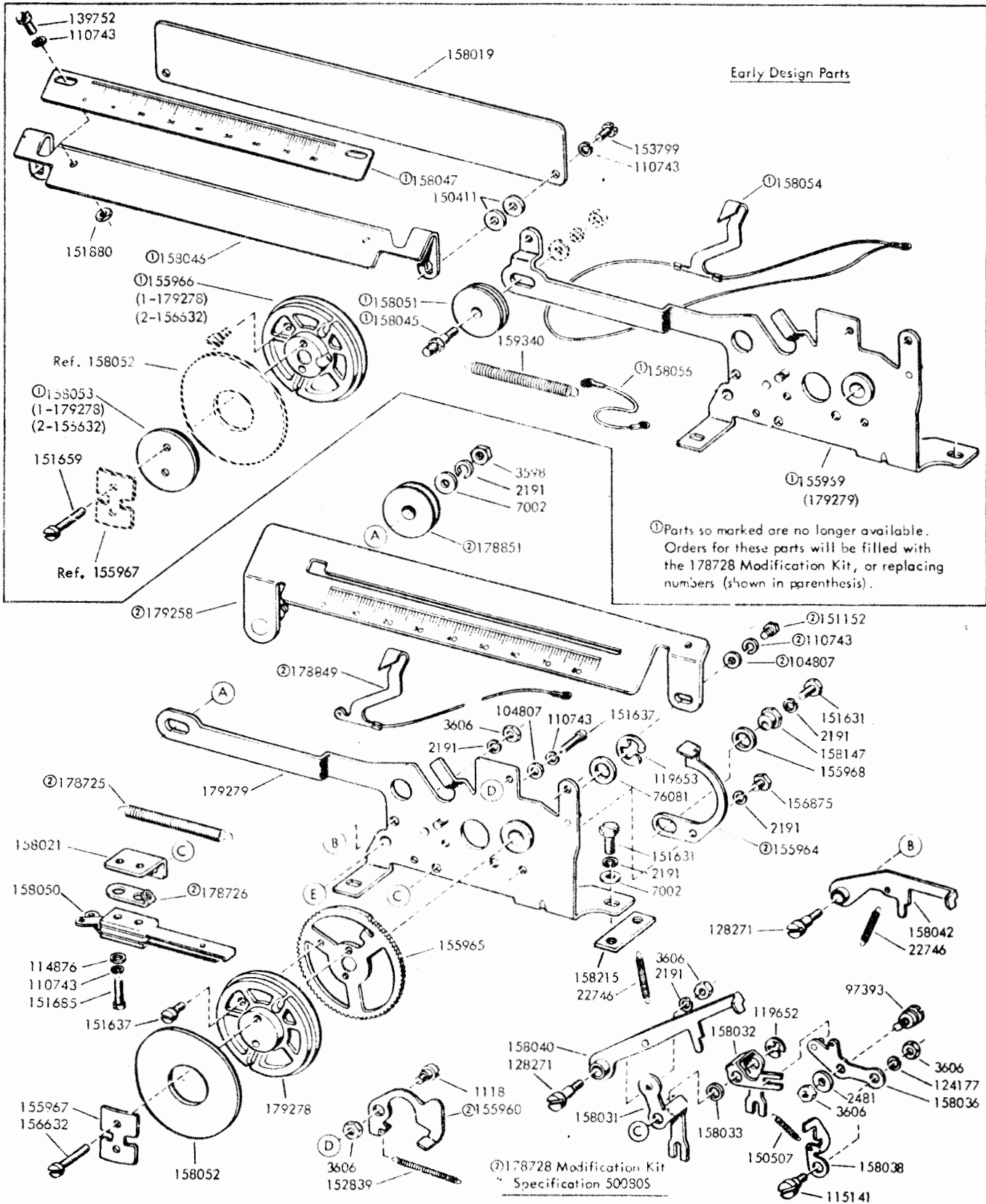


FIGURE 36. 155990 CHARACTER COUNTER ASSEMBLY

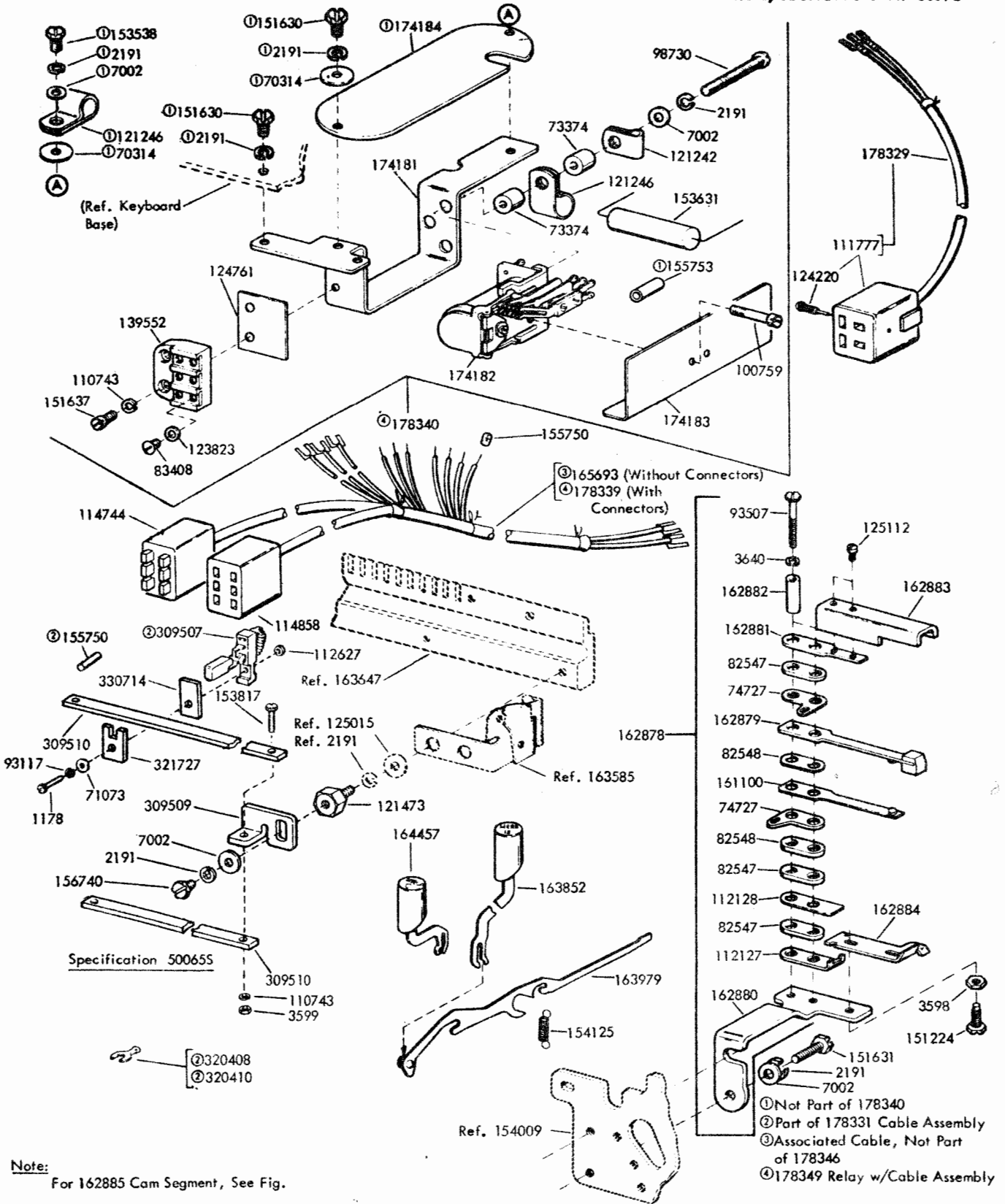


FIGURE 37. 178346 MODIFICATION KIT TO EQUIP KEYBOARD WITH ANSWER-BACK CONTROL

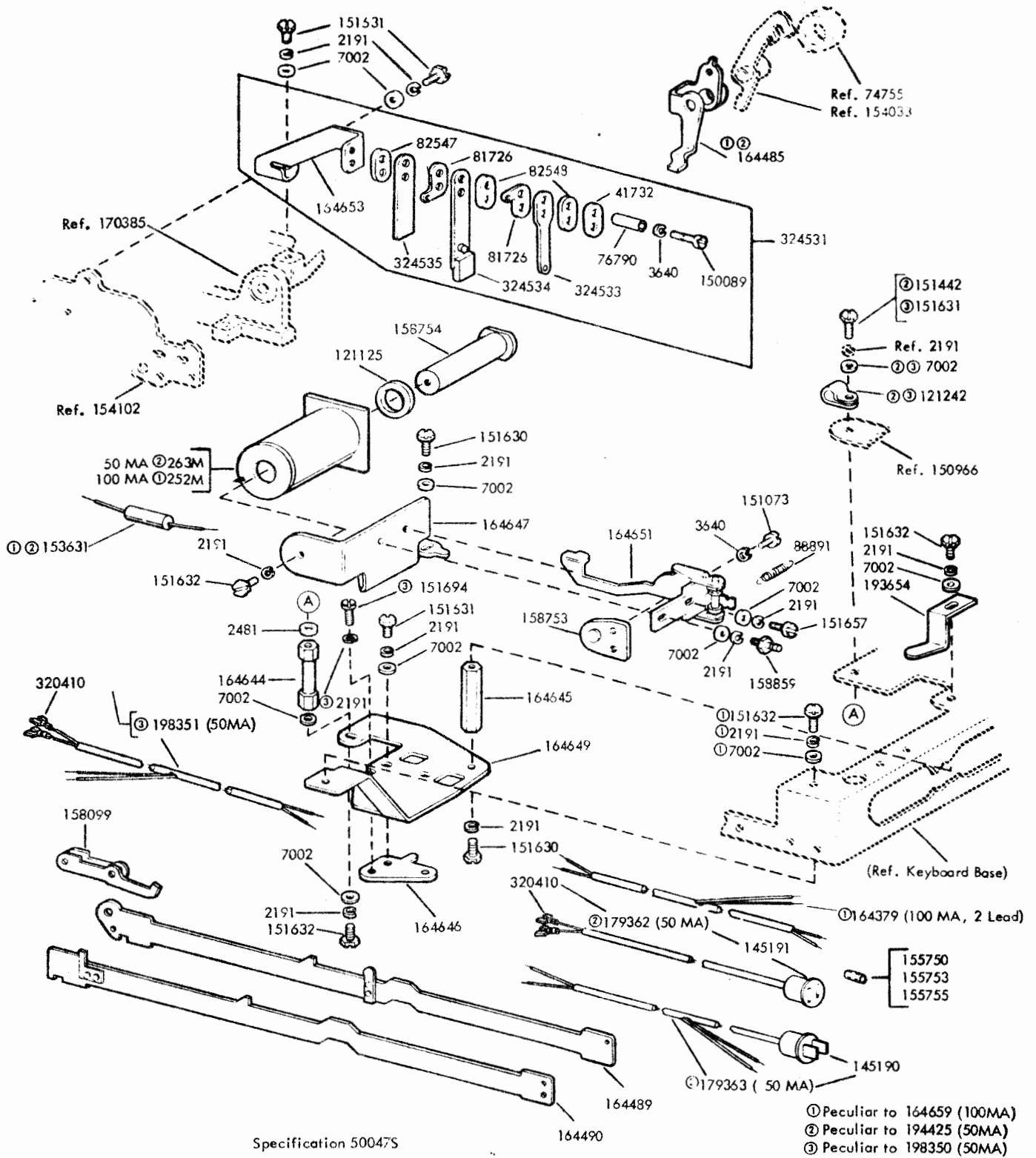


FIGURE 38. 164659 (100MA), 194425 (50MA) AND 198350 (50MA) MODIFICATION KITS TO PROVIDE SYNCHRONOUS PULSED TRANSMISSION

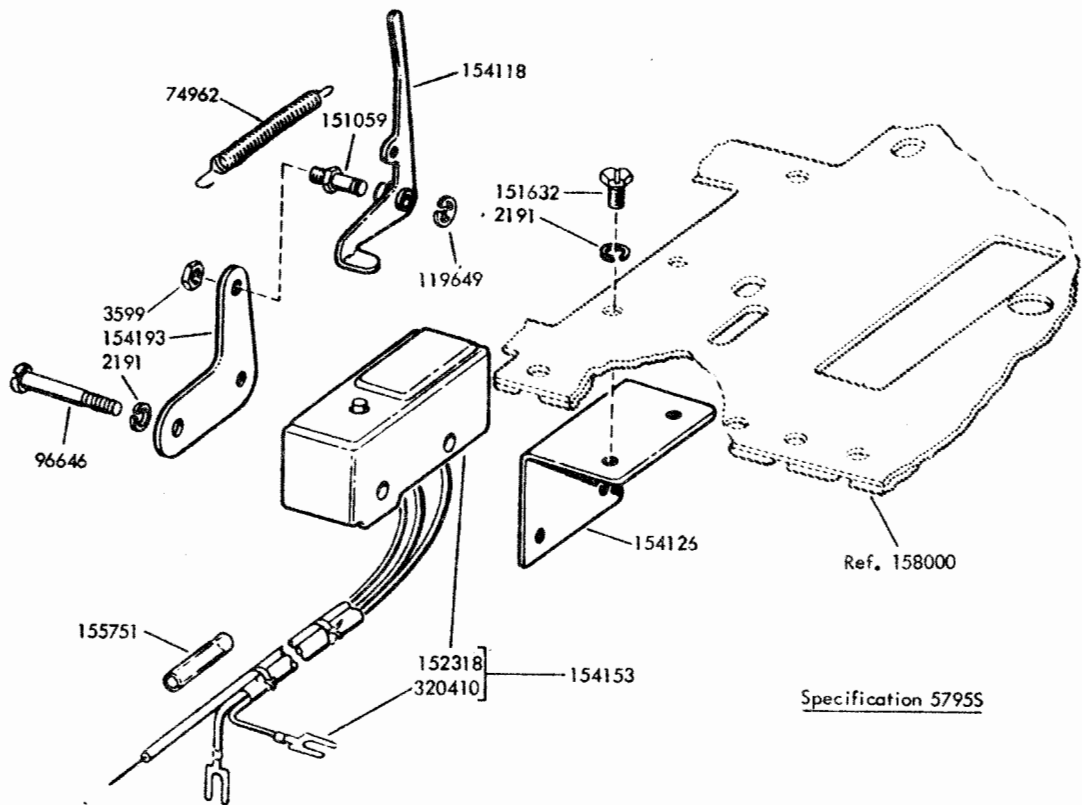


FIGURE 39. 154147 MODIFICATION KIT TO PROVIDE LOCAL PAPER FEED-OUT MOTOR STARTING MECHANISM

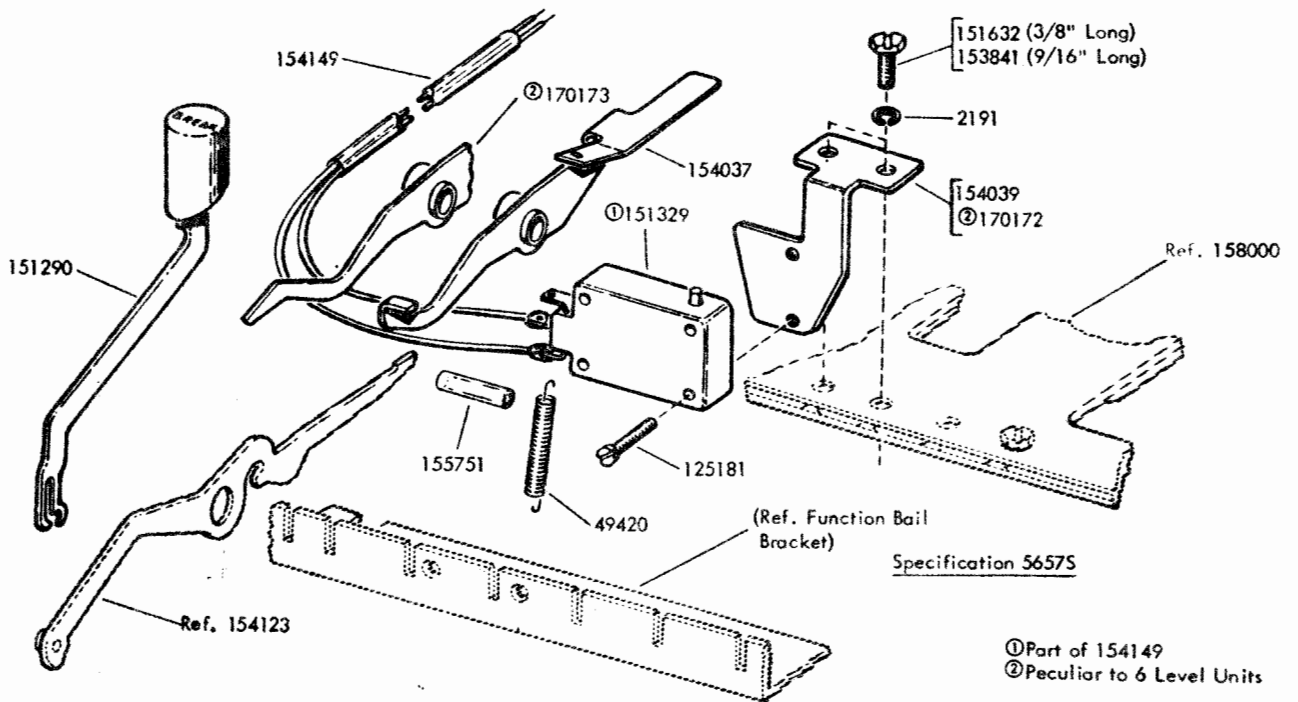


FIGURE 40. 154141 MODIFICATION KIT TO PROVIDE ELECTRICAL SIGNAL LINE BREAK MECHANISM

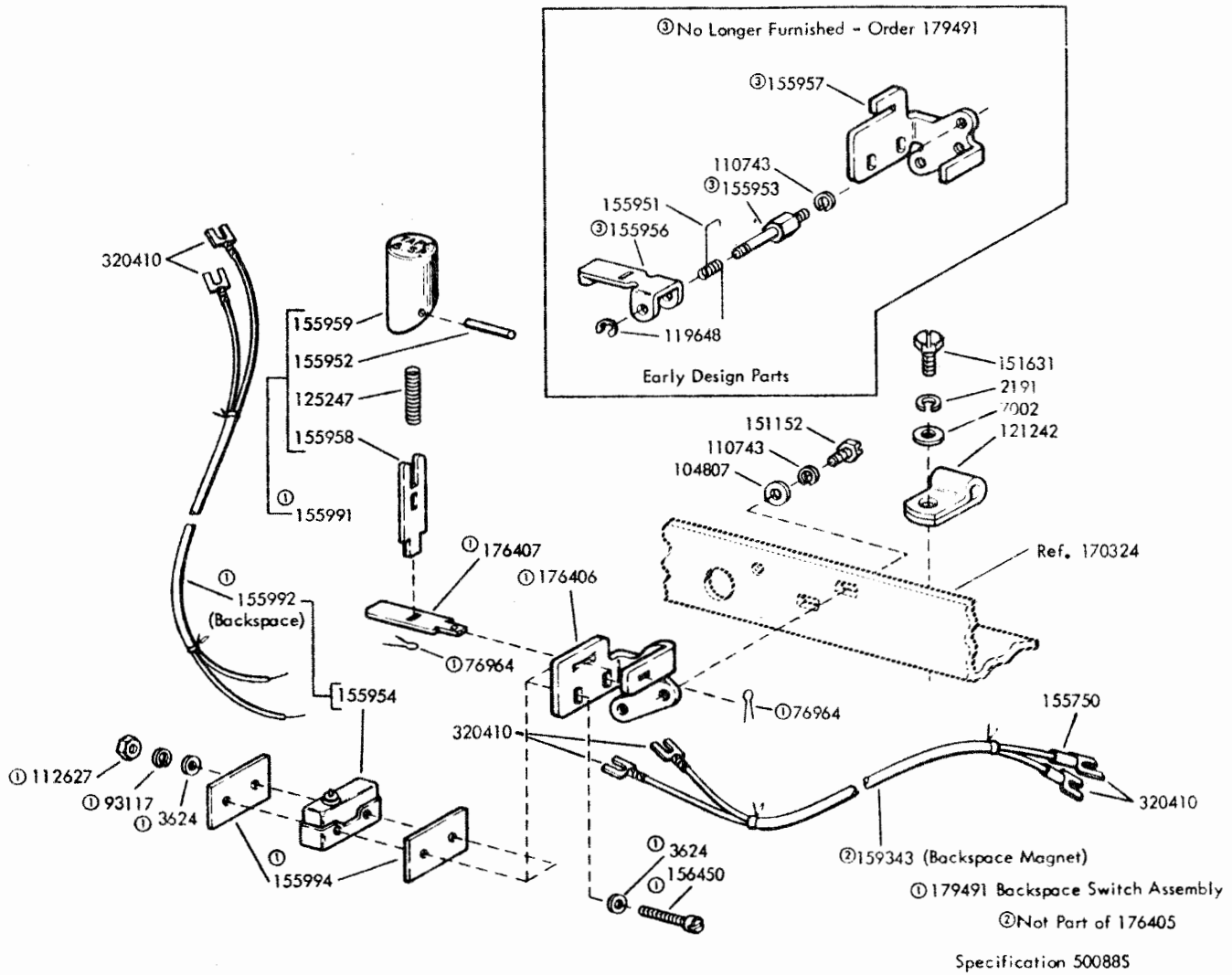


FIGURE 41. 176405 MODIFICATION KIT TO ADD TAPE BACKSPACE BUTTON

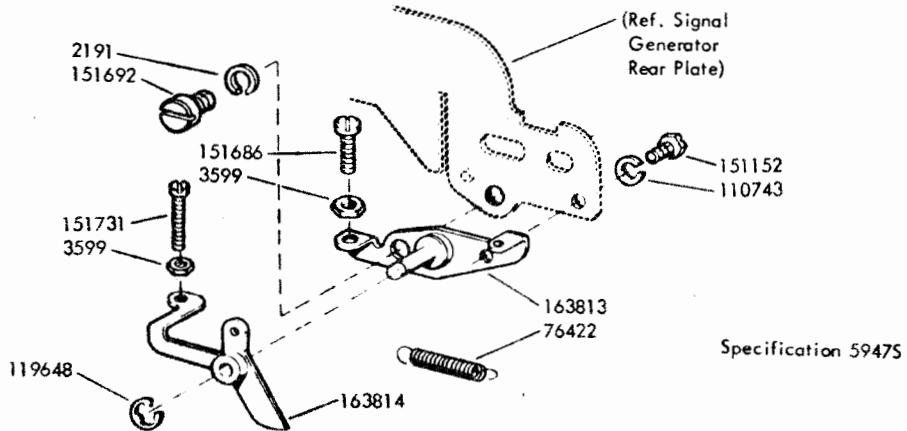
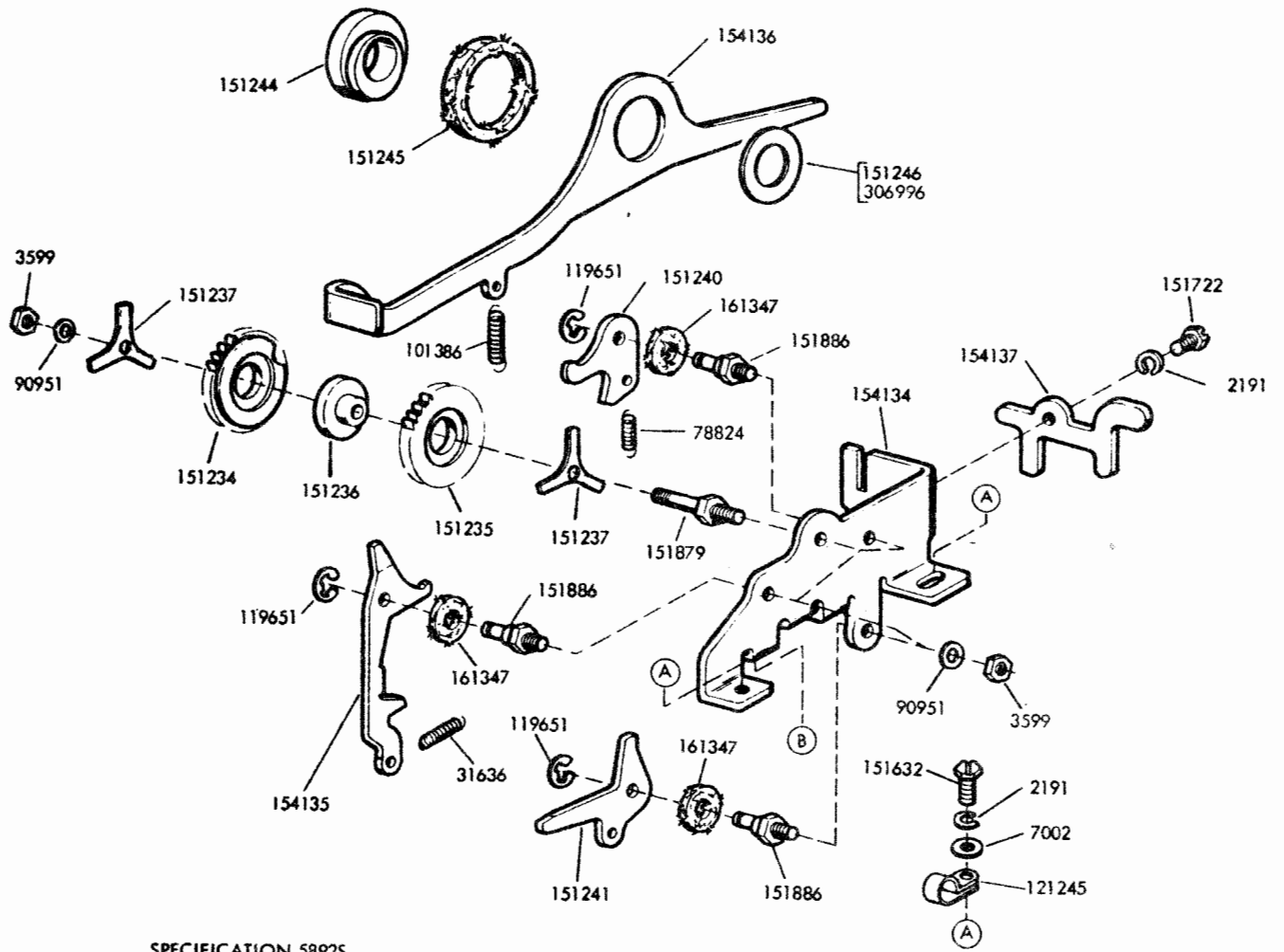


FIGURE 42. 163775 MODIFICATION KIT TO PROVIDE REPEAT ON SPACE MECHANISM





SPECIFICATION 58925

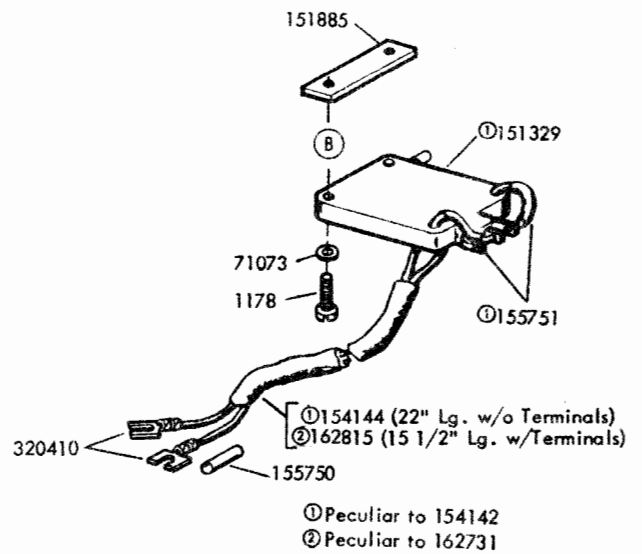
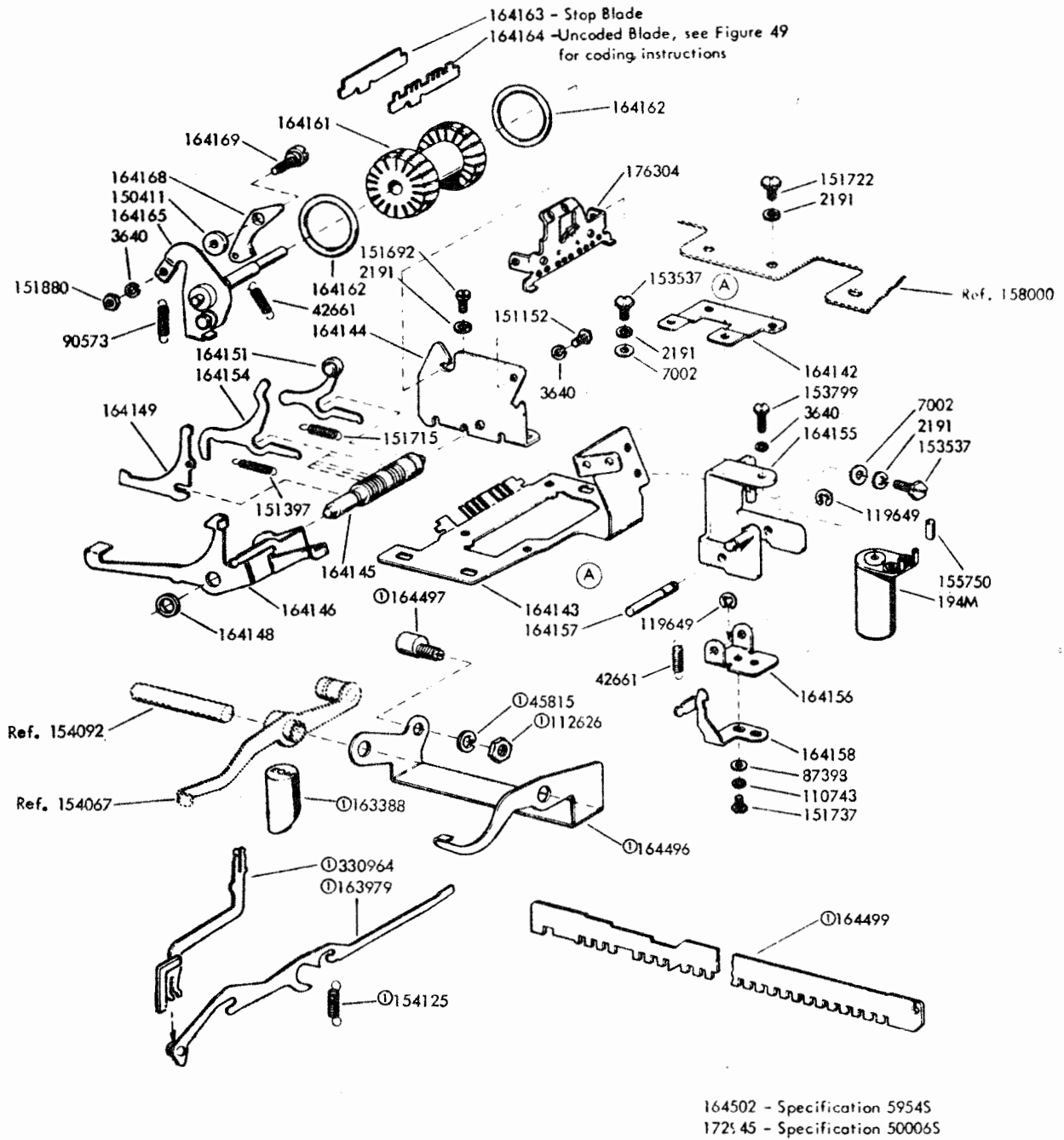


FIGURE 43. 154142 AND 162731 MODIFICATION KITS TO PROVIDE KEYBOARD WITH TIME DELAY MECHANISM



Ⓞ Peculiar to 164502 Only

FIGURE 44. 164502 (END OF MESSAGE GENERATOR) AND 172945 (ANSWER-BACK) MODIFICATION KITS - SEE FIGS. 45, 46 AND 47

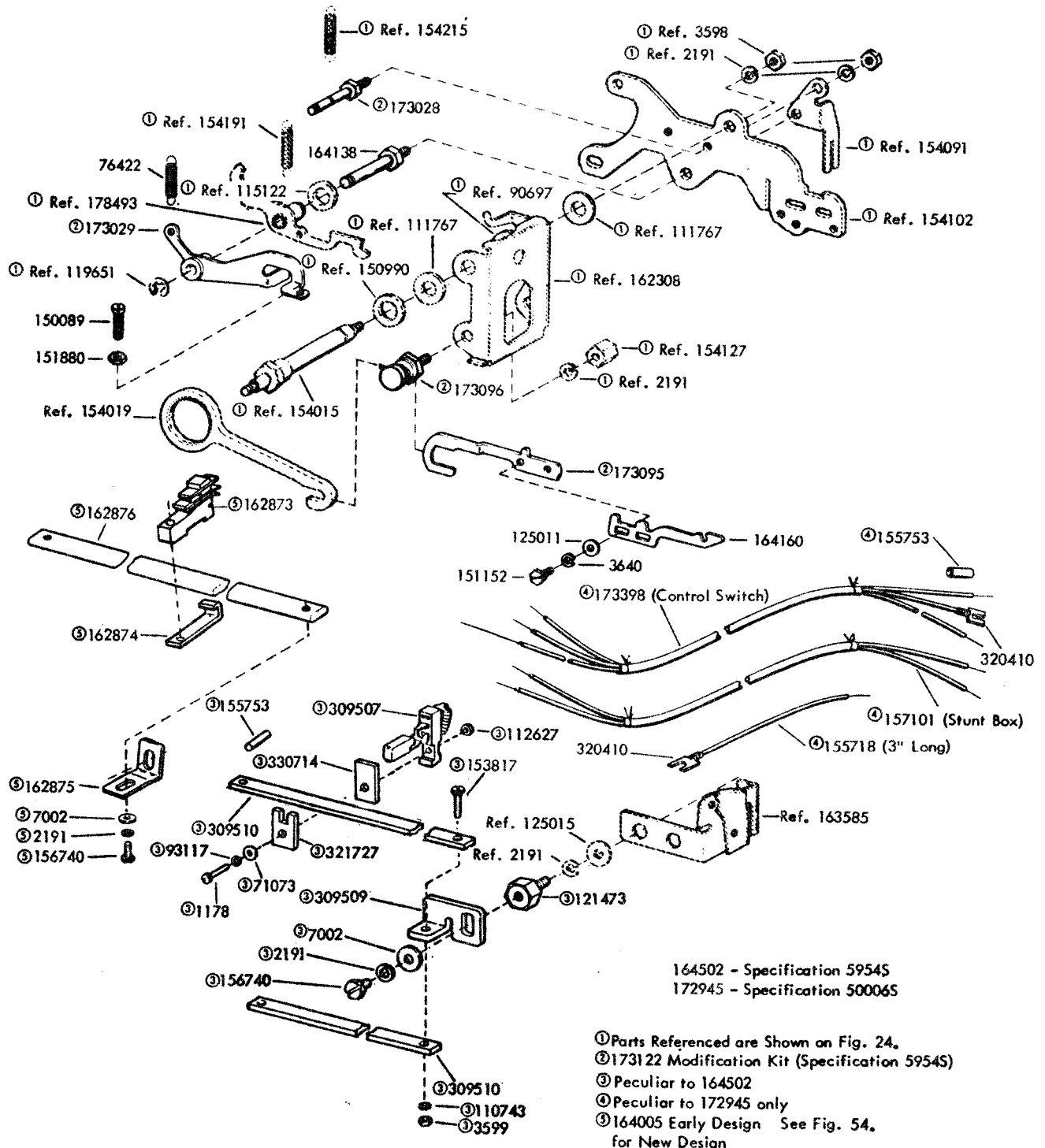


FIGURE 45. 164502 (END OF MESSAGE GENERATOR) AND 172945 (ANSWER-BACK) MODIFICATION KITS - SEE FIGS. 44, 46 AND 47.



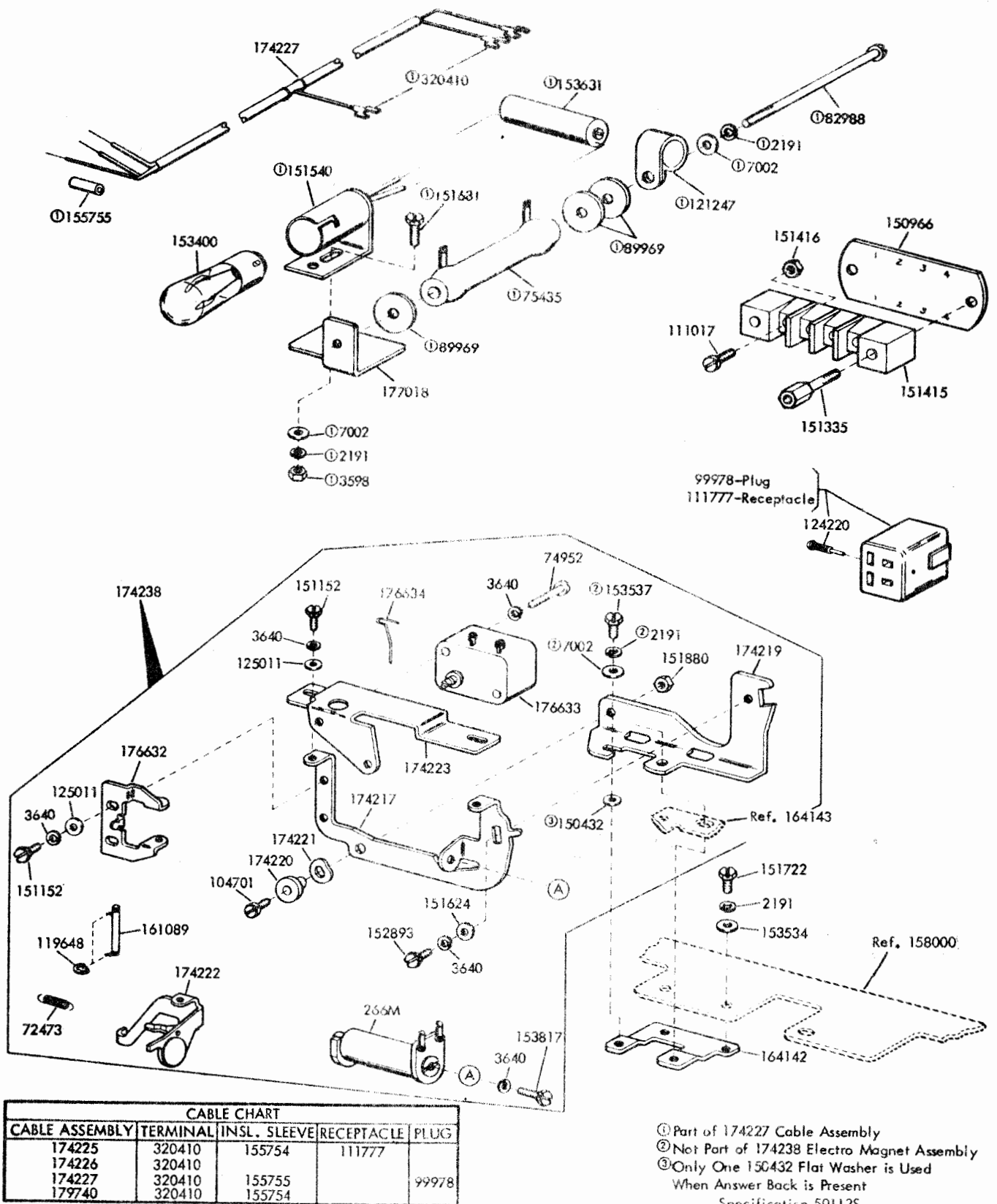


FIGURE 48. 164426 MODIFICATION KIT TO ADD HORIZONTAL TAB DISABLER

CHARACTER	CODE				
	1	2	3	4	5
A	X	X			
B	X			X	X
C		X	X	X	
D	X			X	
E	X				
F	X		X	X	
G		X		X	X
H			X		X
I		X	X		
J	X	X		X	
K	X	X	X	X	
L		X			X
M			X	X	X
N			X	X	
O				X	X
P		X	X		X
Q	X	X	X		X
R		X		X	
S	X		X		
T					X
U	X	X	X		
V		X	X	X	X
W	X	X			X
X	X		X	X	X
Y	X		X		X
Z	X				X
CARRIAGE RETURN				X	
LINE FEED		X			
LETTERS SHIFT	X	X	X	X	X
FIGURES SHIFT	X	X		X	X
SPACE			X		
BLANK					

— LEAVE TINE  
 — REMOVE TINE

"O" POSITION TINE  
 UNCODED BLADE  
 SCORED LINES  
 KEY

Coding Instructions for the Code Blades used in the Answer Back Feature on an LAK Keyboard Base.

FIGURE 49. CODING THE KEYBOARD ANSWER-BACK DRUM BLADE

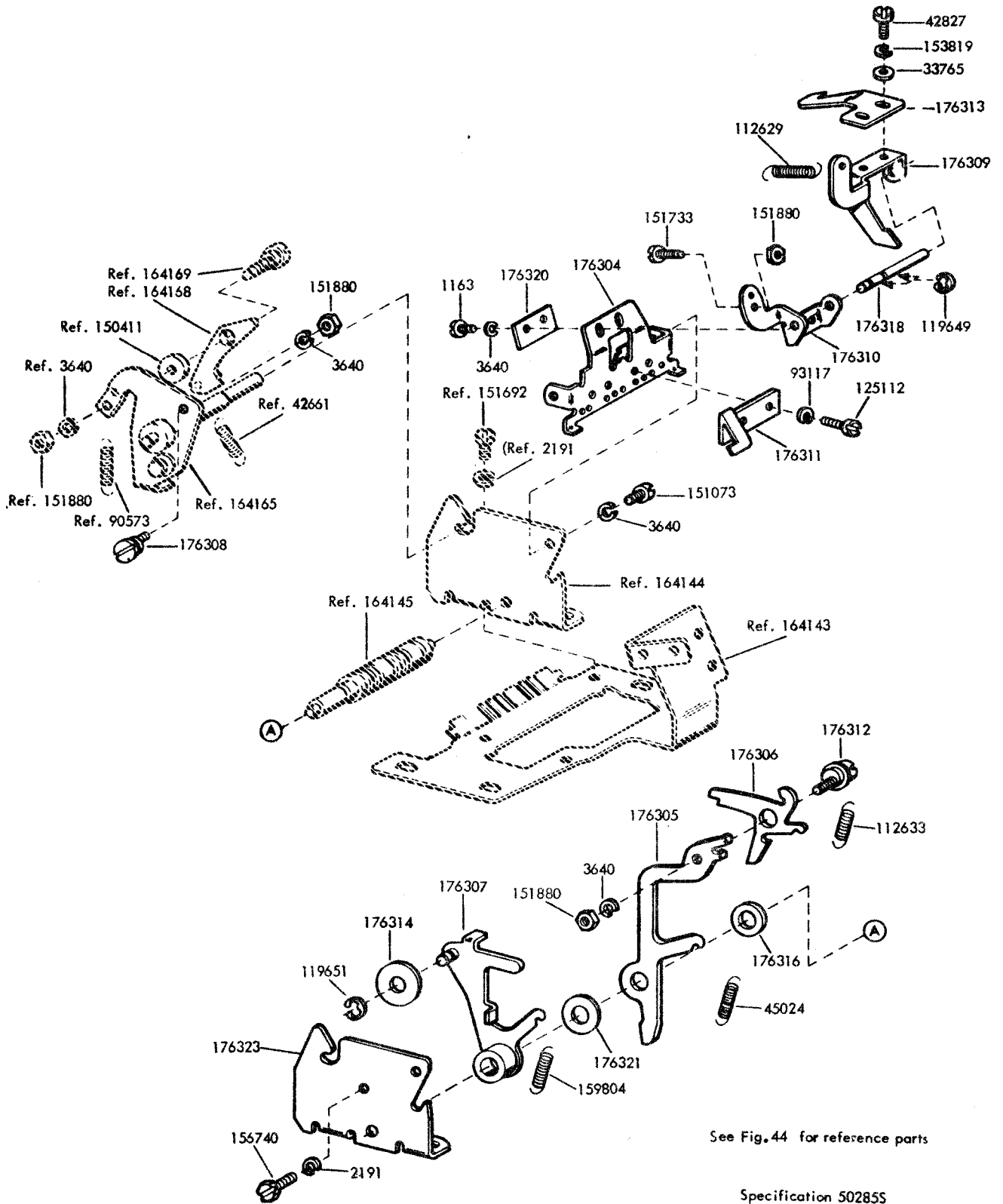


FIGURE 50. 176395 MODIFICATION KIT TO PROVIDE LOCK BAR RESET TO ANSWER-BACK

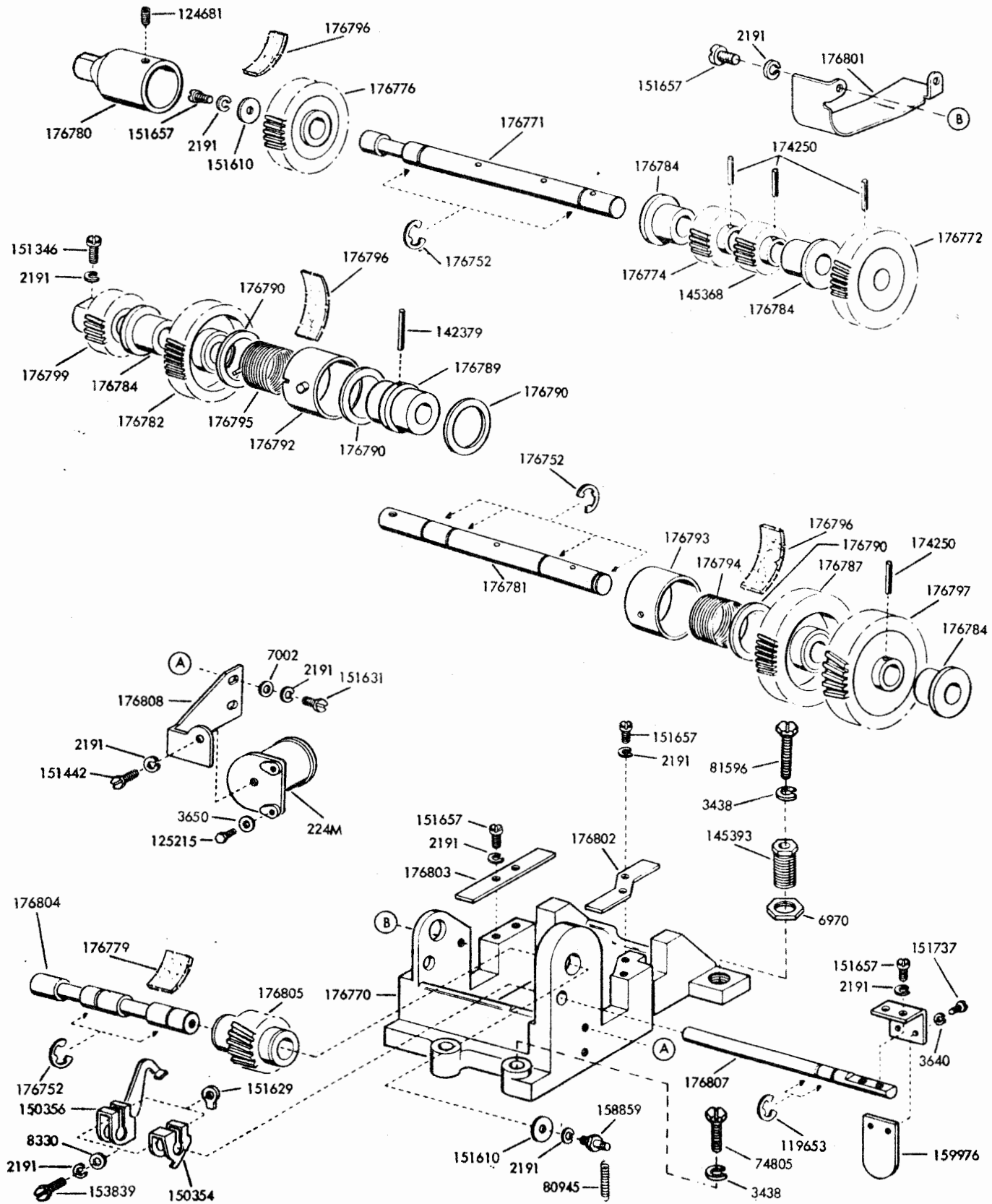


FIGURE 51. REMOTE CONTROL SPEED SHIFT GEAR MECHANISM (60-100 WPM, 7.42 UNIT CODE)



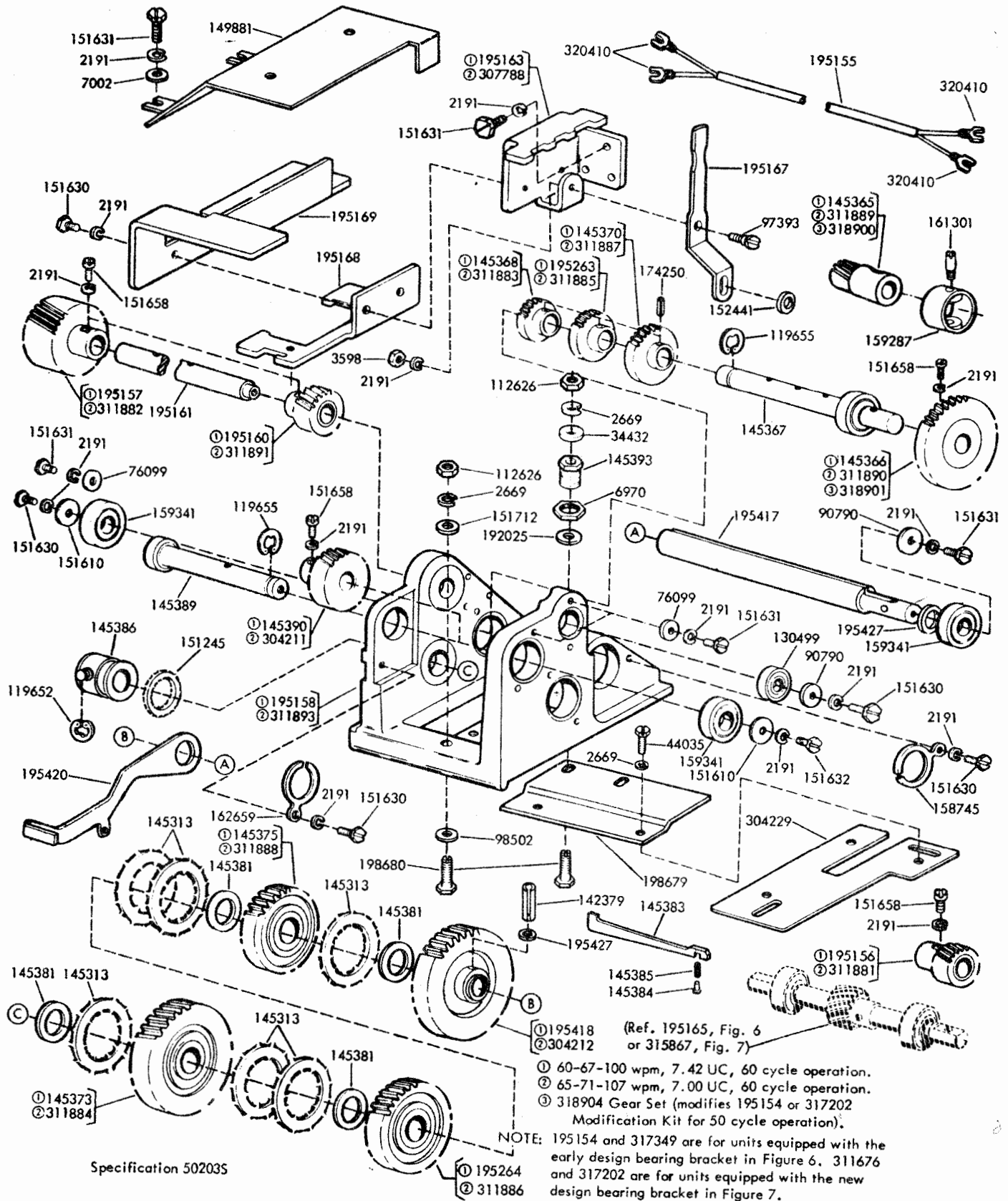


FIGURE 52. 195154 AND 317202 (60-67-100 WPM, 7.42 UNIT CODE) AND 311676 AND 317349 (65-71-107 WPM, 7.00 UNIT CODE) MODIFICATION KITS TO ADD THREE SPEED GEAR SHIFT TO KEYBOARD

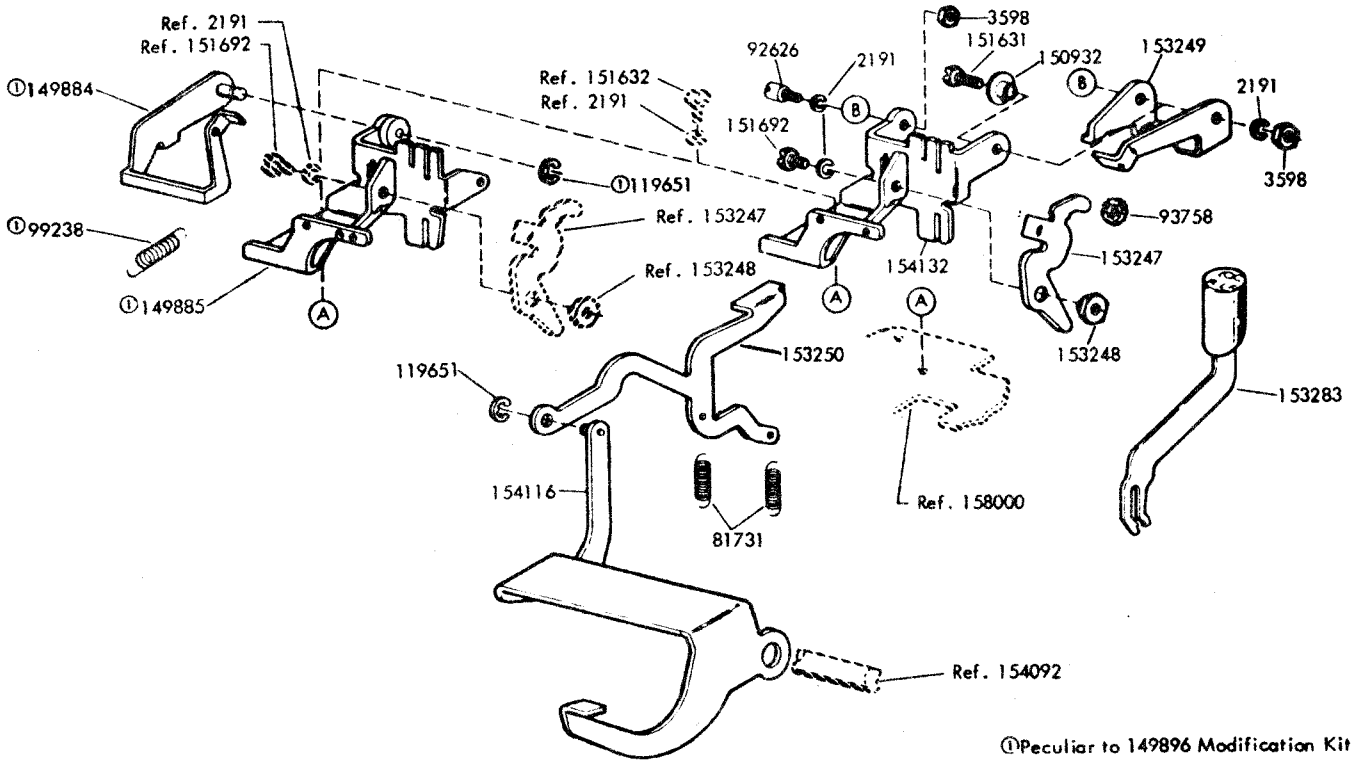


FIGURE 53. 149896 AND 154145 MODIFICATION KITS TO PROVIDE LOCAL REVERSE LINE FEED MECHANISM (MARK III)

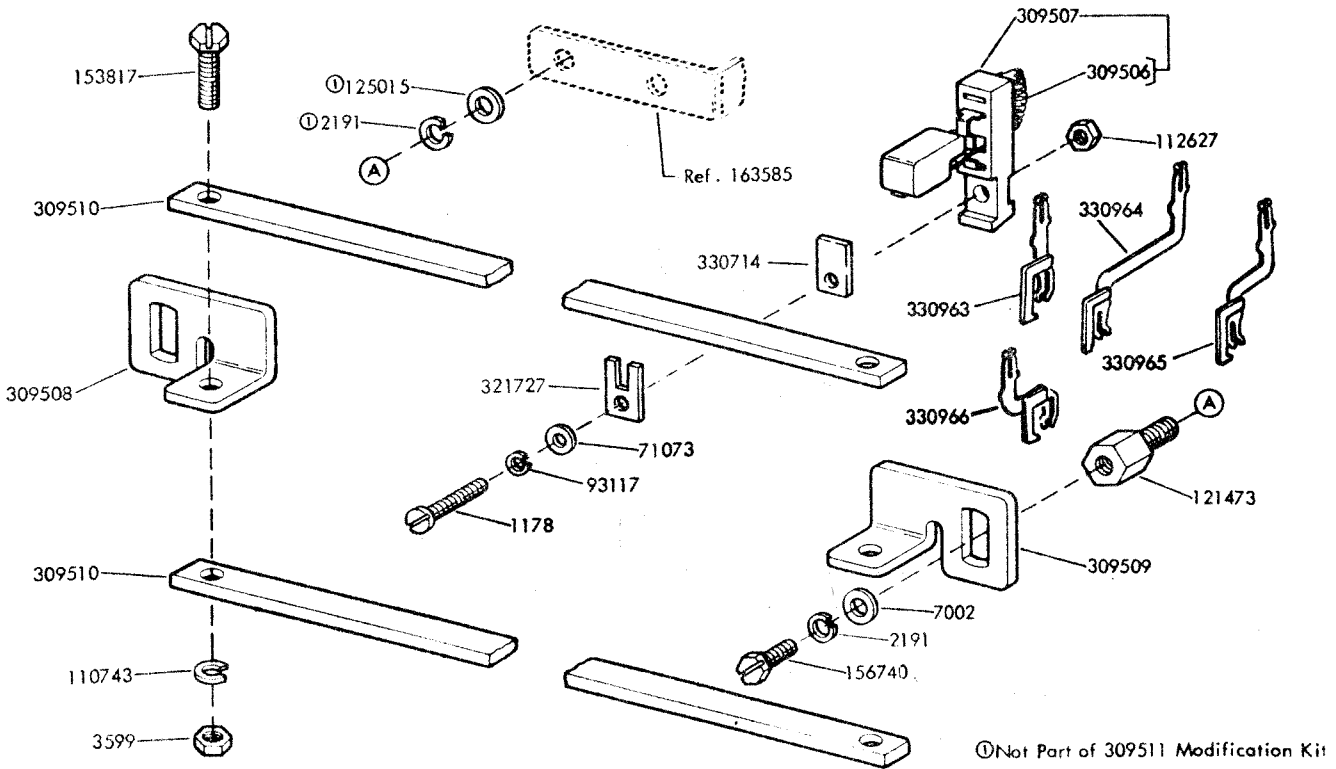
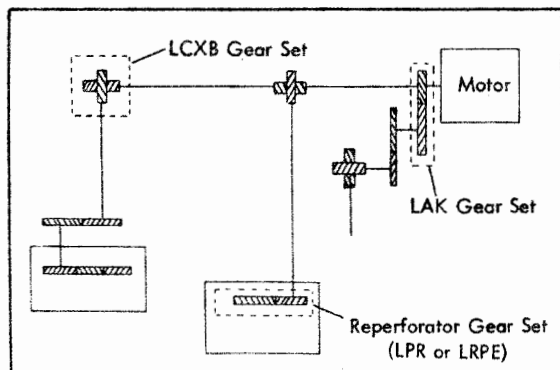


FIGURE 54. 309511 MODIFICATION KIT TO PROVIDE UNIVERSAL KEYBOARD SWITCH ON (MARK III) KEYBOARDS



+Gears For Motors Operating on 50 Cycle Current at 3000 RPM.  
 \*Includes keyboard and single TD gear sets only.  
 \*\*Modification Kit including keyboard and single TD gear sets and the 193565 coupling (required when replacing an early style gear set).  
 #Includes keyboard, single TD base and reperforator gear sets.  
 ##Includes keyboard, dual TD base and reperforator gear sets.

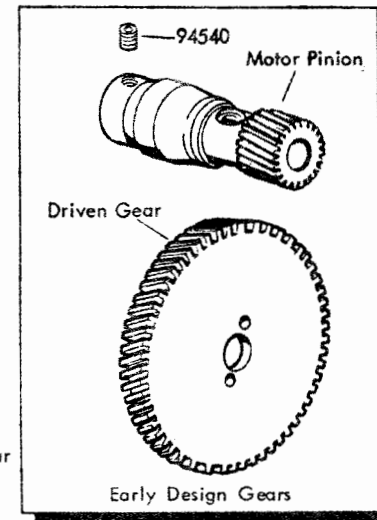
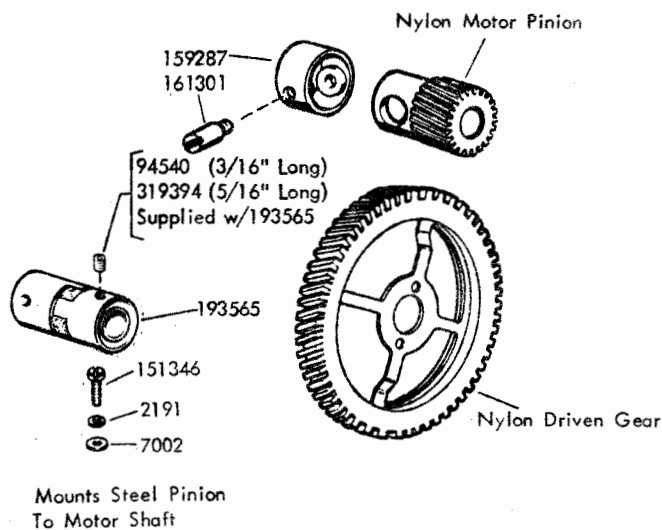


FIGURE 55. GEAR SETS

WPM/OPM Baud Unit Code	65/390 45.5 7.00	71/428 50 7.00	81/488 56.9 7.00	106/636 74.2 7.00	107/643 75 7.00	60/368 45.5 7.42	67/404 50 7.42	75/460 56.88 7.42	100/600 74.2 110 7.42 11.0	61/364 45.5 7.50	66/400 50 7.50	100/600 75 7.50	88/529 75 8.50
Keyboard (LAK) Gear Set	173795 173794-14T	163504 163461-18T	198050 198051-17T	198053 198054-21T	163505 163463-24T	161293 159278-14T	194927 194925-13T	161294 159281-17T	161295 159284-20T	173795 173794-14T	163504 163461-18T	163505 163463-24T	170089 170185-25T
includes: Isolator Post (2)	159287 161301	159287 161301	159287 161301	159287 161301	159287 161301	159279-96T 161301	194926-81T 161301	159282-93T 161301	159285-84T 161301	173793-100T 161301	163462-117T 161301	163464-104T 161301	170186-119T 159287 161301
Single TD Base (LCXB) Gear Set includes:	159882 155996-13T 155997-60T	161357 161333-10T 161332-42T	198056 198057-19T 198058-70T	159883 155998-12T 155999-34T	163454 163452-20T 163453-56T	158029 158005-9T 158006-44T	161356 161331-11T 161330-49T	158028 158003-12T 158004-47T	158027 158002-11T 158001-33T	178775 178776-17T 178777-56T	178772 178773-20T 178774-60T	178769 178770-23T 178771-46T	
Dual TD Base (LCXB) Gear Set includes:					199090-20T 199091-56T		195146 195144-11T 195145-49T		170293-11T 170297-33T				170189-15T 170190-51T
Reperforator (LPR or Gear Set LRPE) includes:	173992 173993-14T 173994-40T	163457 163455-20T 163456-52T			163502 163501-30T 163500-52T	163023 163021-28T 163022-80T	195184 195182-20T 195183-52T	163024 163019-21T 163020-48T	163025 163015-28T 163018-49T				170187-30T 170188-59T
ASR Gear Set (w/Single TD)						*161859 **164583	#194928 **163302	*161860 **164584	*161861 **164585				
ASR Gear Set (w/Dual TD)							##195147		##170100				##170088
Keyboard (LAK) Gear Set Includes: (Motor Speed 3000RPM)					*312705 312691-26T 312692-94T	+307850 307844-10T 307845-57T	+307851 307848-15T 307849-78T		+307852 307846-20T 307847-70T				
Single TD Base (LCXB) Gear Set Includes: (Motor Speed 3000RPM)	+319911 319909-13T 319910-50T	+319914 319912-10T 319913-35T			+319917 319915-24T 319916-56T	+305579 305573-13T 305574-53T	+305578 305571-14T 305572-52T		+305577 305569-22T 305570-55T				

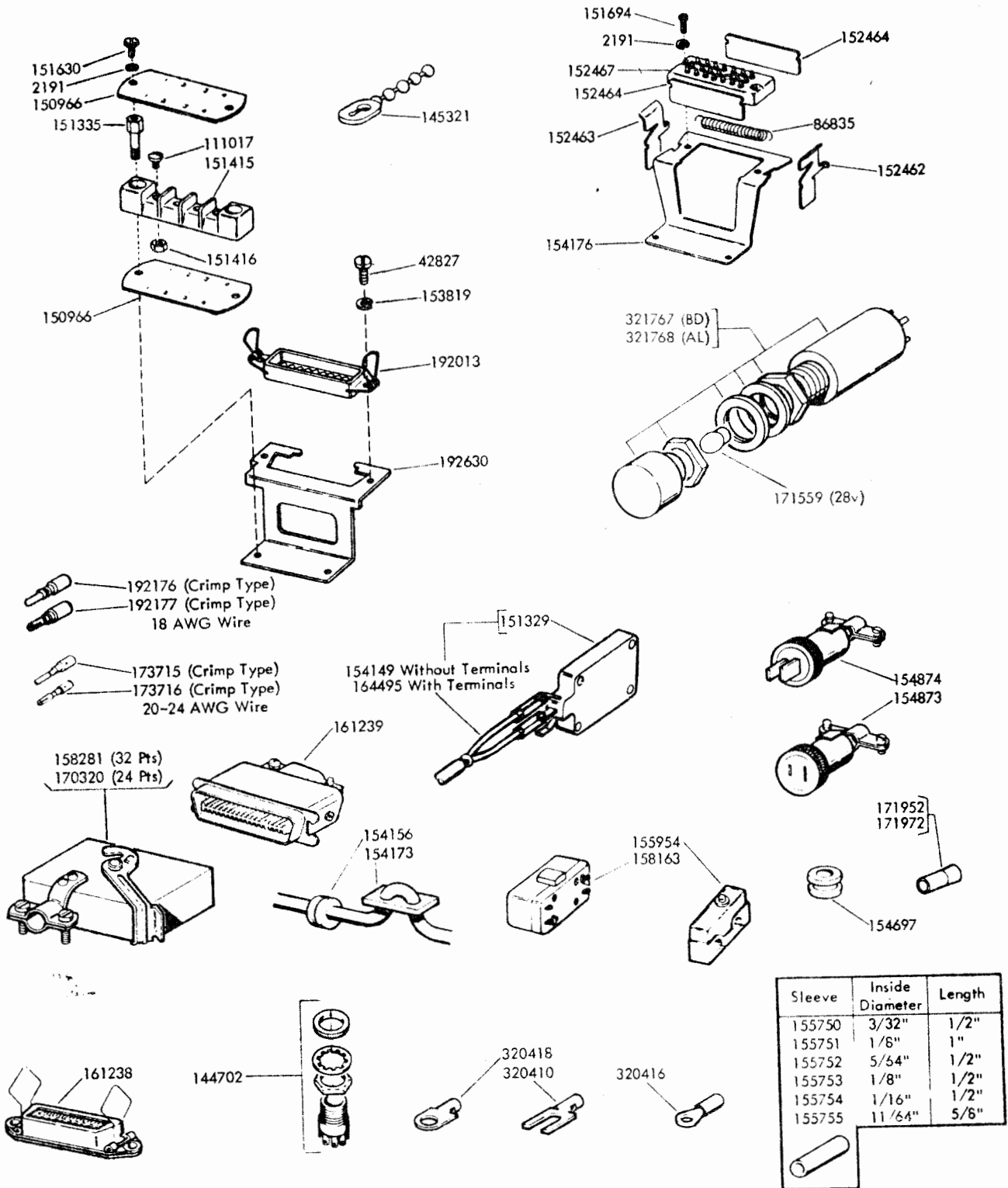


FIGURE 56. KEYBOARD CABLE COMPONENTS

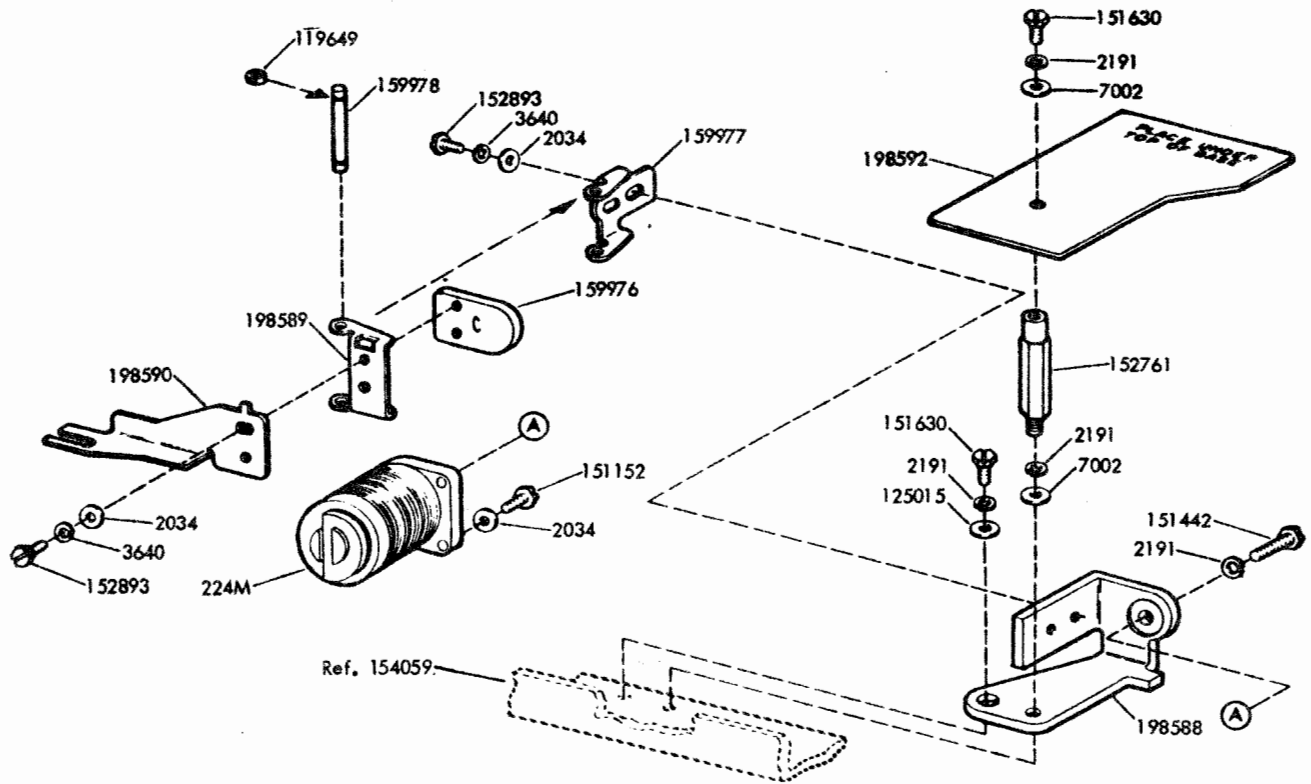


FIGURE 57. TIME DELAY RESET MECHANISM

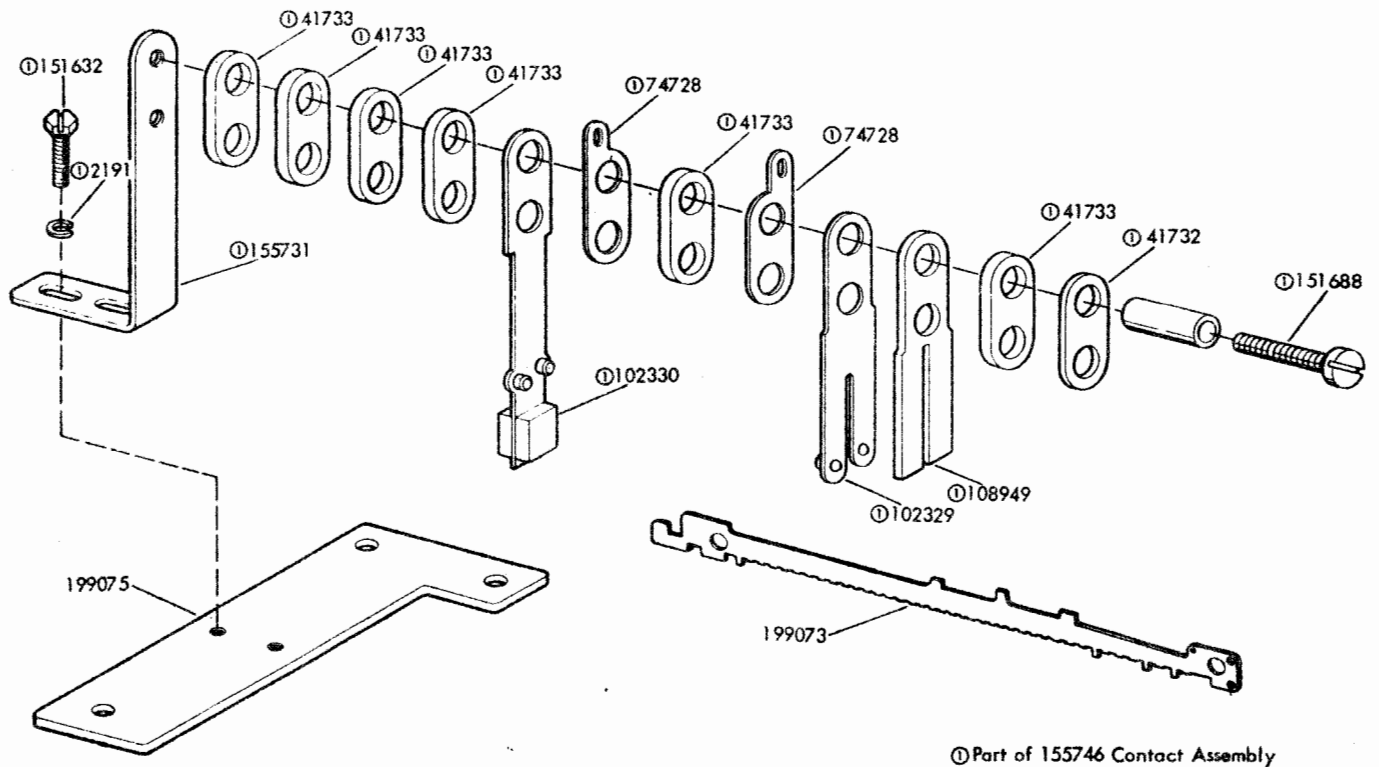


FIGURE 58. CHARACTER COUNTER STEPPING SWITCH

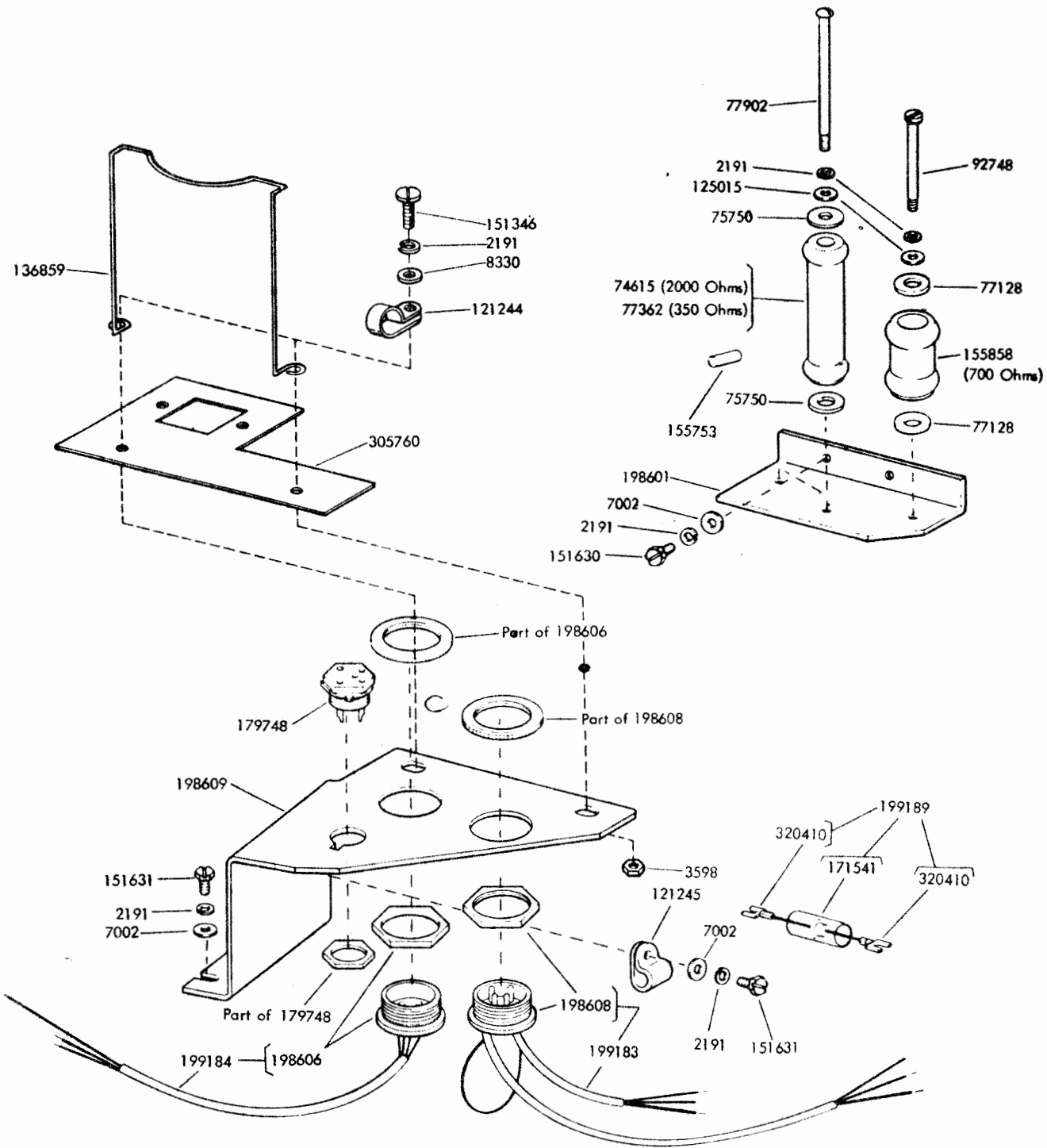


FIGURE 59. TAPE CONTAINER CONTROL COMPONENTS

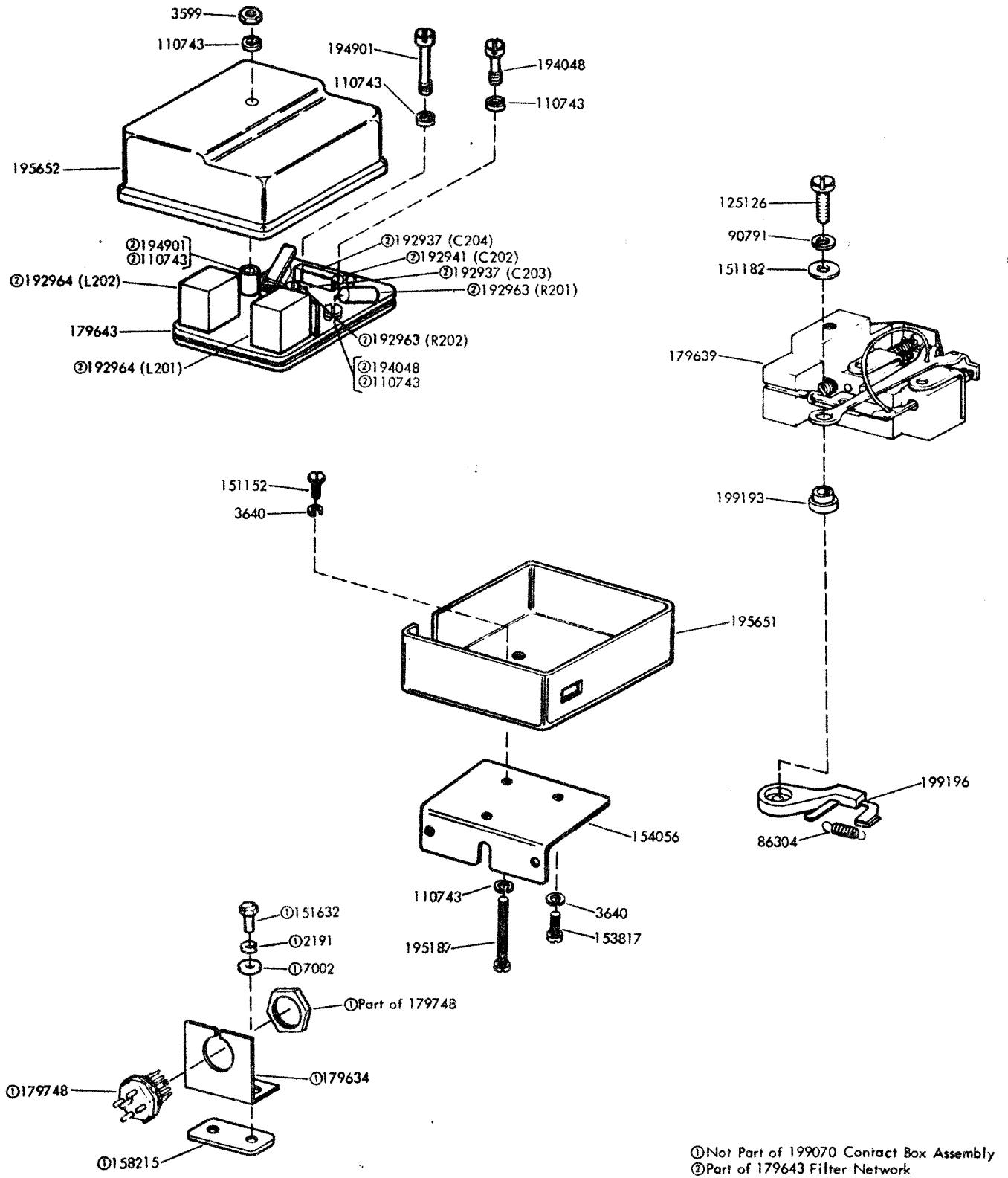


FIGURE 60. 199070 CONTACT BOX ASSEMBLY

## NUMERICAL INDEX

Part Number	Description and Page Number	Part Number	Description and Page Number	Part Number	Description and Page Number
194M	Coil, Magnet 40	7603	Spring 23,26	74966	Bushing, Insulating 30
224M	Coil, Magnet 46,51	8330	Washer, Flat 3,5,6,11,13,27,46,52	75435	Resistor, 600 Ohm 43
252M	Coil, Magnet 36			75750	Washer, Insulating 52
263M	Coil, Magnet 36	8449	Spacer, .094" Thk 23,33	76081	Washer, Flat 16,17,34
266M	Coil, Magnet 43	22746	Spring 34	76099	Washer, Flat 20,47
1020	Screw, 6-40 x 1/4 Hex 22	31636	Spring 39	76379	Spring 4
1118	Screw, 6-40 Shoulder 34	33765	Washer, Flat 45	76422	Spring 38,41
1163	Screw, 4-40 x 3/16 Fil 45	34432	Washer, Flat 47	76790	Bushing, Insulating 36
1164	Screw, 2-56 x 3/16 Fil 29	35826	Washer, Flat 6	76964	Pin, Cotter 38
1178	Screw, 2-56 x 7/16 Fil 29,33,35,39,41,48	36318	Washer, Flat 23	76966	Screw, 10-32 Set 28
1210	Screw, 2-56 x 5/8 Fil 27,33	36358	Spring 17	77039	Bushing, Insulating 9
1248	Screw, 6-40 x 1/2 Flat 14	41385	Spring 27	77128	Washer, Insulating 52
1257	Screw, 10-32 x 1-1/8 Fil 6	41663	Washer, Flat 26	77362	Resistor, 350 Ohm 52
1274	Screw, 6-40 x 1-1/8 Fil 12	41675	Washer, Flat 27	77902	Screw, 6-40 x 2-3/8 Rd 52
1293	Screw, 4-40 x 1/8 Fil 24,25	41732	Plate, Clamp 9,27,31,36,51	77920	Screw, 6-40 x 1-15/16 Fil 42
2034	Washer, Flat 51	41733	Insulator, .062" Thk 51	77999	Resistor, 500 Ohm 4
2191	Lockwasher 3 to 12,13,15,16,17,18,20,22 to 28,30,32 to 42,43,45,46 to 53	42661	Spring 40,45	78533	Spring 23
2415	Spring 16,17	42823	Washer, Flat 21,26	78824	Spring 39
2422	Lockwasher 27	42827	Screw, 3-48 x 1/4 Fil 45,50	80402	Screw, 4-40 x 15/32 Fil 8
2481	Washer, Flat 34,36	44035	Screw, 10-32 x 9/16 Hex 47	80581	Spring 22,26
2669	Lockwasher 3,4,5,6,7,8,20,47	44048	Washer, Flat 42	80755	Bushing, Insulating 31
3438	Washer, Flat 3,4,5,6,46	45024	Spring 45	80845	Screw, 10-32 x 1-7/8 Fil 42
3598	Nut, 6-40 Hex 3,6,10,12,13,15,17,18,19,20,22,23,30,34,35,41,42,43,47,48,52	45815	Lockwasher 26,40	80945	Spring 46
3599	Nut, 4-40 Hex 8,24,25,27,35,37,38,39,41,48,53	49420	Spring 9,16,17,37	81596	Screw, 10-32 x 1-3/8 Hex 46
3606	Nut, 6-40 Hex 23,27,30,34	55063	Spring 16	81726	Terminal 36
3624	Washer, Flat 33,38	55669	Spring 27	81731	Spring 10,48
3639	Lockwasher 3,7	70314	Washer, Flat 8,35	81774	Washer, Flat 15
3640	Lockwasher 8,19,23,24,25,26,27,30,31,33,35,36,40,41,43,45,46,51,53	70388	Spring 22	81836	Washer, Insulating 42
3646	Lockwasher 42	71073	Washer, Flat 35,39,41,48	82547	Insulator, .094" Thk 9,30,35,36
3650	Washer, Flat 46	71858	Washer, Flat 27	82548	Insulator, .062" Thk 9,30,31,35,36
3807	Spring 33	72473	Spring 43	82860	Spring 10
3870	Spring 3,20	73008	Washer, Flat 26	82988	Screw, 6-40 x 2-1/2 Rd 43
4702	Spring 20	73035	Spring 10	83408	Screw, 4-40 x 3/16 Rd 35
6970	Nut, 3/8-32 Hex 6,46,47	73374	Spacer, .250" Thk 35	83814	Washer, Flat 28
7002	Washer, Flat 3,4,9,10,11,12,13,15,16,17,18,20,24,25,26,27,28,30,32,33,34,35,36,38,39,40,41,42,43,46,47,48,49,51,52,53	73776	Screw, 3/16-32 x 1-3/16 Fil 6	86283	Spring 16,17
		74014	Screw, 10-32 x 3/4 Hex 3	86304	Spring 24,25,53
		74615	Resistor, 2,000 Ohm 52	86742	Nut, 4-40 Hex 7,23
		74727	Terminal, Contact 30,35	86772	Screw, 6-40 Eccentric Shoulder 17
		74728	Terminal, Contact 9,31,51	86774	Screw, 6-40 Shoulder 3,4
		74755	Washer, Felt 20,36	86835	Spring 50
		74805	Screw, 10-32 x 3/4 Hex 20,46	87398	Washer, Flat 40
		74807	Nut, 10-32 Shoulder Hex 26	88891	Spring 36
		74952	Screw, 4-40 x 5/8 Fil 43	89969	Washer, Insulating 43
		74962	Spring 37	90573	Spring 26,40,45



## NUMERICAL INDEX (Continued)

Part Number	Description and Page Number	Part Number	Description and Page Number	Part Number	Description and Page Number
90606	Spring 33	110437	Spring 33	121243	Clamp, 3/16 ID Cable 42
90679	Washer, Felt 23	110743	Lockwasher 7,9,19,20,21, 22,24,25,26,29,33,34,35, 38,40,41,48,53	121244	Clamp, 1/4 ID Cable 3,18, 52
90697	Screw, 10-32 Pivot 41			121245	Clamp, 5/16 ID Cable 39, 52
90790	Washer, Flat 47	111017	Screw, 6-40 x 5/16 Fil 3, 4,43,50	121246	Clamp, 3/8 ID Cable 3,35
90791	Lockwasher 24,25,53	111343	Clamp, Retaining 19	121247	Clamp, 7/16 ID Cable 42, 43
90814	Resistor, 1,000 Ohm 42	111767	Washer, Flat 23,41	121473	Post 35,41,48
90951	Lockwasher 39	111777	Connector, 4 Pt Receptacle 35,43	123823	Washer, Flat 35
91683	Nut, 15/32-32 Hex 14	112127	Hinge 30,35	124177	Lockwasher 34
91684	Nut, 15/32-32 Ring 14	112128	Retainer 30,35	124220	Pin, Drive 35,43
92309	Resistor, 400 Ohm 42	112498	Screw, 6-40 x 3/4 Flat 14	124244	Washer, Felt 4
92626	Stud 10,48	112626	Nut, 10-32 Hex 5,6,20,40, 47	124681	Screw, 6-40 Set 46
92748	Screw, 6-40 x 1-7/16 Fil 52	112627	Nut, 2-56 Hex 35,38,41,48	124761	Plate, Insulating 35
93117	Lockwasher 27,29,33,35, 38,41,45,48	112629	Spring 45	124999	Switch, Sensitive 33
93135	Screw, 8-32 x 1-3/4 Fil 42	112630	Spring 3	125011	Washer, Flat 19,20,23,25, 27,30,31,41,43
93160	Washer, Flat 7,8	112633	Spring w/Wick 45	125015	Washer, Flat 3,6,7,8,11, 13,23,35,41,48,51,52
93191	Screw, 4-40 x 5/16 Flat 14	114478	Nut, 15/32-32 Hex 14	125112	Screw, 2-56 x 1/8 Fil 30, 35,45
93507	Screw, 4-40 x 3/4 Hex 35	114744	Connector, 6 Pt Plug 35	125126	Screw, 2-56 x 9/32 Fil 24,25,53
93758	Washer, Felt 10,48	114858	Connector, 6 Pt Receptacle 35	125181	Screw, 2-56 x 3/8 Fil 37
94540	Screw, 10-24 Set 7,8,49	114876	Washer, Flat 34	125215	Screw, 4-40 x 3/16 Hex 46
96212BK	Jumper, 4" Black 28	115122	Washer, Felt 20,23,41	125241	Spring 26
96212W	Jumper, 4" White 28	115141	Screw, 6-40 Shoulder 34	125247	Spring 38
96646	Screw, 6-40 x 1-3/64 Fil 37	116698	Lamp, 6 V 14	125250	Spring 22,33
97393	Screw, 6-40 Shoulder 34, 47	117416	Post 20	125253	Spring 17
98502	Washer, Flat 47	117535	Washer, Flat 6,7	128271	Screw, 6-40 Shoulder 34
98726	Screw, 3-48 x 1/4 Fil 4	117608	Nut, Speed 11,13	130499	Bearing, Ball 47
98730	Screw, 6-32 x 1-1/4 Rd 35	118211	Resistor, 10,000 Ohm 14	130683	Lockwasher 27
99238	Spring 48	118659	Switch, Toggle 14	136859	Holder, Plug 52
99978	Connector, 4 Pt Plug 43	119467	Insulator, .032" Thk 33	139552	Block, Terminal 35
100658	Connector, 2 Pt Plug 33	119648	Ring, Retaining 4,18,22, 38,43	139752	Screw, 4-40 x 11/64 Fil 34
100759	Screw, 4-40 x 3/16 Flat 35	119649	Ring, Retaining 4,16,26, 27,37,40,45,51	142379	Pin, Roll 46,47
101386	Spring 39	119650	Ring, Retaining 16	142623	Reel, Tape 32
102057	Screw, 4-40 Shoulder 27	119651	Ring, Retaining 3,10,12, 13,22,23,26,39,41,45,48	144590	Screw, 6-40 x 1-3/8 Fil 14
102329	Spring, Contact 51	119652	Ring, Retaining 20,34,47	144701	Plate, Right Switch 14
102330	Spring, Contact 51	119653	Ring, Retaining 9,10,34, 46	144702	Switch, Push Button 14,50
104564	Washer, Flat 8	119654	Ring, Retaining 16,17	144703	Cap, Red Lens 14
104701	Screw, 4-40 x 9/32 Fil 43	119655	Ring, Retaining 7,8,47	144704	Cap, Green Lens 14
104710	Ball, Bearing 19	120489	Spacer, .052" Thk 22	144705	Cap, White Lens 14
104807	Washer, Flat 34,38	120824	Washer, Felt 21	144706	Cap, Amber Lens 14
104827	Bearing, Ball 5,6	120870	Wick, Felt 22	144708	Modification Kit 1,21,30
108370	Washer, Felt 22	121125	Washer, Spring 36	144709	Segment, Cam 21
108949	Stiffener 51	121242	Clamp, 1/8 ID Cable 27, 35,36,38	144710	Modification Kit 1,30
109356	Washer, Flat 8				
110435	Nut, 4-40 Hex 33				

## NUMERICAL INDEX (Continued)

Part Number	Description and Page Number	Part Number	Description and Page Number	Part Number	Description and Page Number
144711	Bracket, Code Contact 30	144769	Button, Pivot 6	150044	Shoe, Primary Clutch 21
144712	Post, Guide 30	144770	Gear Assembly, Intermediate 1,3,6	150089	Screw, 4-40 x 1/2 Fil 36, 41
144715	Bracket, Connector 4	144771	Follower, Cam 30	150241	Spring 21
144718	Keytop w/Shaft, SOM 29	144772	Contact Assembly, Intermediate 30	150354	Arm, Trip 46
144719	Keytop w/Shaft, EOA 29	144774	Bar, FIGS Code 16	150356	Lever, Trip 46
144720	Keytop w/Shaft, EOM 29	144871	Shaft, Solenoid Plunger 4	150411	Washer, Flat 34,40,45
144721	Keytop w/Shaft, Feed-Out 29	144990	Bar, LTRS Code 16	150432	Washer, Flat 43
144722	Keytop w/Shaft, Rug-Out 29	144991	Bracket, Contact 4,31	150507	Spring 34
144723	Keytop w/Shaft, Tape B. Sp. 29	144992	Shaft w/Bearing 8	150923	Washer, Felt 4,22,23
144724	Keytop w/Shaft, SOL INQ 29	144996	Plate, Left 14	150932	Bushing, Shoulder 10,48
144725	Keytop w/Shaft, SOL ORD 29	144997	Contact Assembly 1,31	150966	Insulator, Terminal Block 36,43,50
144726	Keytop w/Shaft, EOL 29	145190	Connector, 2 Pt Plug 33, 36	150990	Washer, Felt 23,41
144729	Bracket 29	145191	Connector, 2 Pt Receptacle 33,36	150991	Washer, Felt 16,17,20
144730	Bracket, Switch 29	145307	Plate, Nut 4	150992	Stud 33
144731	Plate, Switch Actuator 29	145313	Washer, Felt 47	151003	Keylever 11
144732	Insulator 29	145321	Tie, Cable 50	151004	Keylever 11
144733	Spring, Compression 29	145365	Pinion, 20T 47	151005	Keylever 11
144734	Plate, Retaining 29	145366	Gear, 56T 47	151006	Keylever 11
144735	Switch Assembly, SOM 29	145367	Shaft, Drive 47	151036	Screw, 4-40 Shoulder 23
144736	Switch Assembly, EOA 29	145368	Gear, 27T 46,47	151045	Bar, Spacing 11
144737	Switch Assembly, EOM 29	145370	Gear, 42T 47	151059	Stud 37
144738	Switch Assembly, Feed-Out 29	145373	Gear, 66T 47	151073	Screw, 4-40 x 5/32 Fil 36,45
144739	Switch Assembly, Rub-Out 29	145375	Gear, 63T 47	151080	Washer, Flat 7,19
144740	Switch Assembly, Tape B. Sp. 29	145381	Washer, Thrust 47	151103	Spring 22
144741	Cable Assembly 14	145383	Key 47	151113	Strip, Mounting 3
144743	Plate, Keytop Guide 11,14	145384	Pin, Guide 47	151118	Plate, Spacing 3
144744	Cable Assembly 30	145385	Spring, Compression 47	151126	Spacer, .250" Thk 6
144745	Bracket, Front 16,29	145386	Sleeve 47	151146	Strap, Mounting 3
144749	Bracket, Assembly, Bearing 1,8	145388	Shaft, Idler 47	151152	Screw, 4-40 x 3/16 Hex 19,20,24,25,26,34,38,40, 41,43,51,53
144750	Housing w/Ball Bearing 4	145389	Pinion, 25T 47	151171	Toggle, Contact 24,25
144753	Shaft w/Bearings 8	145390	Bushing 46,47	151180	Link, Toggle 24,25
144754	Plate, Nut 4	146438	Bellcrank 30	151182	Washer, Insulating 24,25, 53
144755	Shaft, 7-1/4" Lg 8	147033	Shield 14	151223	Screw, 4-40 Shoulder 11, 13
144756	Shaft, 3-9/32" Lg 8	147069	Switch 29	151224	Screw, 6-40 Pilot 12,13, 30,35
144759	Spacer, .187" Thk 6	147070	Switch 29	151228	Bracket w/Bearing 6
144760	Spacer, .400" Thk 6	147071	Switch 29	151233	Spacer, .065" Thk 27
144761	Shaft 6	147127	Modification Kit 14	151234	Ratchet, 27T 39
144763	Plate, Nut 4	148128	Washer, Flat 19	151235	Ratchet, 28T 39
144764	Base 4	149881	Cover, Gear 47	151236	Hub 39
144767	Plate w/Bracket, Bearing 6	149884	Bail Transfer 48	151237	Spring, Flat 39
		149885	Bracket 48	151240	Pawl, Latch 39
		149896	Modification Kit 2,48	151241	Lever, Latching 39
		150013	Disk, Adjusting 21		
		150026	Lever, Shoe Release 21		
		150029	Wick, Felt 21		
		150043	Shoe, Secondary Clutch 21		

## NUMERICAL INDEX (Continued)

Part Number	Description and Page Number	Part Number	Description and Page Number	Part Number	Description and Page Number
151244	Bushing, Eccentric 39	151678	Screw, 1/4-32 Pilot 3	152871	Spring 8
151245	Washer, Felt 39,47	151685	Screw, 4-40 x 5/16 Fil 34	152887	Screw, 4-40 x 1/2 Hex 7,8
151246	Washer, Flat 39	151686	Screw, 4-40 x 3/8 Fil 38	152893	Screw, 4-40 x 1/4 Hex 19, 21,23,30,31,43,51
151290	Keylever Assembly 37	151687	Screw, 4-40 x 7/16 Fil 9, 27	153247	Lever, Trip 10,48
151329	Switch, Sensitive 37,39, 50	151688	Screw, 4-40 x 5/8 Fil 31, 51	153248	Bushing, 6-40 Shoulder 10,48
151335	Stud 3,4,43,50	151689	Screw, 4-40 x 3/4 Fil	153249	Bail, Transfer 10,48
151346	Screw, 6-40 x 3/8 Fil 46, 49,52	151691	Screw, 10-32 x 3/8 Fil 8	153250	Link 10,48
151352	Spring, Flat 3	151692	Screw, 6-40 x 3/16 Fil 4, 10,38,40,45,48	153252	Link 3
151354	Screw, 2-56 x 15/32 Fil 27	151694	Screw, 6-40 x 11/32 Fil 8,36,50	153266	Lever, Trip 10
151376	Label, Instruction 15	151712	Button, Pivot 5,6,47	153273	Link 10
151389	Paper, Carbon 15	151714	Spring 17	153283	Keylever Assembly 48
151390	Label, Blank 15	151715	Spring 40	153284	Keylever Assembly 10
151391	Label Set 15	151722	Screw, 6-40 x 3/16 Hex 3, 4,10,15,16,17,22,33,39, 40,43	153400	Lamp, 60 V Incandescent 43
151397	Spring 40	151723	Screw, 10-32 x 3/8 Hex 3,4,6	153534	Washer, Flat 43
151412	Insulator, Terminal 4	151724	Screw, 10-32 x 5/8 Hex 5, 6,7	153537	Screw, 6-40 x 9/32 Hex 40,43
151415	Block, Terminal 43,50	151725	Screw, 10-32 x 3/4 Fil 5, 6,7	153538	Screw, 6-40 x 7/16 Hex 3, 33,35
151416	Nut, 6-40 Hex 3,4,43,50	151728	Spring 21	153539	Screw, 6-40 x 11/16 Hex 33
151442	Screw, 6-40 x 1/2 Hex 3, 4,6,15,20,30,36,46,51	151731	Screw, 4-40 x 7/8 Fil 38	153631	Network, Spark Suppression 35,36,42,43
151540	Lampholder 43	151733	Screw, 4-40 x 9/16 Fil 33,45	153799	Screw, 4-40 x 21/64 Hex 34,40
151610	Washer, Flat 46,47	151737	Screw, 4-40 x 11/64 Hex 21,40,46	153817	Screw, 4-40 x 3/8 Hex 24, 25,35,41,43,48,53
151616	Screw, No. 2 Self-Tapping 3,4	151819	Jumper, 3" Black 4	153819	Lockwasher 4,45,50
151618	Screw, 6-40 x 7/16 Fil 14	151820	Spring, Contact 24,25	153839	Screw, 6-40 x 5/8 Hex 28, 46
151624	Spacer, .072" Thk 43	151843	Screw, 6-40 Adjusting 19	153841	Screw, 6-40 x 9/16 Hex 13,20,37
151629	Nut, 6-40 Lug 28,46	151879	Stud 39	154008	Guide, Code Bar 16,17,18
151630	Screw, 6-40 x 1/4 Hex 3, 5,6,7,8,9,10,12,13,16,17, 26,27,32,35,36,42,47,50, 51,52	151880	Nut, 4-40 Hex 24,25,34, 40,41,43,45	154009	Plate, Front 22,30,35
151631	Screw, 6-40 x 5/16 Hex 3, 4,5,6,7,8,10,11,12,13,18, 20,26,27,28,32,34,35,36, 38,39,42,47,48,51,52	151885	Plate, Nut 39	154010	Bail, Transfer 22
151632	Screw, 6-40 x 3/8 Hex 3, 4,5,6,7,8,10,11,12,13,15, 16,18,24,25,27,28,32,36, 37,39,42,47,48,51,53	151886	Stud 39	154013	Bracket, Spring 16,17
151637	Screw, 4-40 x 1/4 Fil 34, 35	152045	Guard, Gear 3	154014	Post, Guide 22
151657	Screw, 6-40 x 1/4 Fil 27, 36,46	152051	Tissue 15	154015	Post 23,41
151658	Screw, 6-40 x 5/16 Fil 3, 47	152318	Switch, Magnetic 37	154016	Shaft 10,16
151659	Screw, 6-40 x 1/2 Fil 11, 13,15,34	152441	Washer, Flat 47	154018	Post, Locking Bail 22
151661	Screw, 6-40 x 1 Fil 14	152462	Latch, Right 50	154019	Follower, Eccentric 21,41
		152463	Latch, Left 50	154020	Seal, Front 15
		152464	Insulator, .062" Thk 50	154021	Link 12,13
		152467	Connector, 20 Pt Plug 50	154023	Latch, Lock Bar 16
		152754	Jumper, 4-1/2" Red 4	154025	Plate, Adjusting 23
		152761	Stud 51	154027	Bellcrank 23
		152839	Spring, Latch 34	154029	Wick, Felt 21
				154030	Shaft, Signal Generator 21

## NUMERICAL INDEX (Continued)

Part Number	Description and Page Number	Part Number	Description and Page Number	Part Number	Description and Page Number
154032	Sleeve, Gear 21	154097	Bail 10	154156	Grommet, Rubber 50
154033	Lever, Clutch Latch 20,36	154098	Bail 10	154163	Shaft Assembly, Clutch Cam 21
154034	Lever, Clutch Stop 20	154099	Bail, LOC-CR Function 9	154165	Box Assembly, Contact 1, 24
154036	Plate, Detent 22	154101	Plate, Rear 20	154166	Suppressor, Arc 24
154037	Lever 37	154102	Plate, Rear 23,36,41	154173	Plate 50
154039	Bracket 37	154105	Post, Transfer Bail 22	154176	Bracket 50
154040	Lever, Transfer 22	154106	Bracket 3	154178	Spring 22
154041	Post, Stop 22	154107	Bracket 10	154179	Bail, Universal 19
154042	Terminal 24,25	154109	Plunger 3	154183	Blade, Front 19
154043	Terminal 24,25	154110	Hood, Keyboard 15	154184	Blade, Rear 19
154045	Screw, 6-40 Spl 24,25	154111	Plate, Keytop Guide 11,15	154189	Insulator 24
154046	Stud 20	154115	Plate, Guide 3	154191	Spring 23,41
154047	Post, Spring 22	154116	Bail 48	154193	Plate 37
154051	Screw, 6-40 Shoulder 23	154117	Bail, Space Bar 12	154194	Base 24,25
154053	Bail, Clutch Trip 20	154118	Lever w/Hub 37	154197	Plug, Button 11
154056	Bracket, Contact Box 24, 25,53	154119	Bracket, Space Bar 12	154198	Window, Plastic 15
154057	Plate 15	154120	Lever, Code Bar 16,17	154199	Shim, .005" Thk 3
154058	Plate 15	154121	Lever, Space Code Bar 16	154201	Shim, .014" Thk 3
154059	Bracket, Function Bail 9, 51	154122	Lever, Keyboard Lock Function 16	154202	Screw, No. 4 Spl 15
154064	Bracket, Adjusting 10	154123	Lever, Function 10,16,37	154203	Bracket 15
154065	Lever w/Hub 10	154124	Lever, Keyboard Repeat & Unlock 16	154204	Grommet, Plastic 15
154066	Lever, LOC-LF 9	154125	Spring 16,17,35,40	154210	Bracket, Left 15
154067	Lever 9,40	154126	Bracket 37	154211	Bracket, Right 15
154068	Bracket, Right Guide 16, 18	154127	Nut, 6-40 Hex 23,41	154212	Frame, Front 12
154069	Bracket, Left Guide 16	154129	Bar, Clutch Trip 16	154215	Spring 23,41
154070	Guide, Code Lever 16	154130	Box, Contact 24	154217	Wick, Leather 22
154071	Screw, 1/4-32 Pilot 16,17	154131	Cover, Contact 24	154224	Gear Assembly, Intermediate 1,6
154072	Bracket, Stop 16,17	154132	Bracket 10,48	154225	Box Assembly, Contact 1, 24
154076	Plate, Nut 3	154133	Bracket 10	154226	Box w/Strap 24
154079	Stud 23	154134	Bracket 39	154227	Bracket, Support 10
154080	Lock, Wedge 19	154135	Pawl 39	154236	Lever, Latch 20
154081	Plate, Retainer 19	154136	Pawl 39	154237	Lever, Non-Repeat 23
154083	Spacer, Cam 21	154137	Lever, Adjusting 39	154238	Extension 19
154084	Bearing, Needle 23	154138	Washer, Felt 21	154239	Extension w/Post 19
154085	Plate 3,5	154140	Bail, Locking 22	154240	Bail, Code Bar 23
154086	Retainer, Wedge 19	154141	Modification Kit 1,37	154241	Stud 23
154087	Plate, Nut 3	154142	Modification Kit 1,39	154318	Plate 32
154088	Plate, Nut 3	154144	Cable Assembly 39	154351	Modification Kit 16,23
154089	Post, Spring 23	154145	Modification Kit 2,48	154386	Plate, Adjusting 23
154091	Guide, Non-Repeat Lever 23,41	154146	Modification Kit 1,10	154662	Spacer 6
154092	Shaft, Function 9,10,40, 48	154147	Modification Kit 1,37	154663	Shaft 6
154094	Clamp 20	154149	Cable Assembly 37,50	154694	Disk, Clutch Cam 21
154095	Eccentric, Contact Box 24,25	154151	Bail Assembly, Universal 1,19	154697	Grommet, Rubber 50
154096	Bushing, Eccentric 20	154152	Bar Assembly, Ball Lock 1,19	154873	Connector, 2 Pt Receptacle 50
		154153	Cable Assembly 37	154874	Connector, 2 Pt Plug 50
		154154	Cam, Signal Generator 21		

## NUMERICAL INDEX (Continued)

Part Number	Description and Page Number	Part Number	Description and Page Number	Part Number	Description and Page Number
155718	Jumper, 3" Black 41	156450	Screw, 2-56 x 1/2 Fil 38	158061	Pin 26
155731	Bracket, Contact 51	156451	Bushing 33	158062	Stop 27
155746	Contact Assembly 51	156503	Wick, Felt 21	158063	Bracket, Stop 16
155750	Sleeve, 3/32 ID x 1/2 Lg Insulating 30,33,35,36, 38,39,40,50	156509	Washer, Flat 22	158064	Clip, Spring 3
155751	Sleeve, 1/8 ID x 1 Lg Insulating 14,37,39,50	156516	Latch 22	158066	Switch 27
155752	Sleeve, 5/64 ID x 1/2 Lg Insulating 50	156558	Washer, Felt 23	158067	Bracket 27
155753	Sleeve, 1/8 ID x 1/2 Lg Insulating 4,14,18,27,33, 35,36,41,50,52	156574	Post, Spring 19	158068	Plate 3
155754	Sleeve, 1/16 ID x 1/2 Lg Insulating 43,50	156630	Washer, Felt 22	158071	Bracket, Bearing 7
155755	Sleeve, 11/64 ID x 5/8 Lg Insulating 3,36,42,43,50	156632	Screw, 6-40 x 13/32 Hex 8,13,15,34	158073	Shaft w/Bearing 7
155843	Keytop 11	156644	Link, Drive 24,25	158075	Shaft w/Gears 7
155844	Keytop 11	156663	Bushing, Insulating 24,25	158077	Gear, 33T 7
155858	Resistor, 700 Ohm 52	156740	Screw, 6-40 x 7/32 Hex 4, 5,35,41,45,48	158079	Shaft, Motor Coupler 7
155951	Spring, Torsion 38	156875	Screw, 6-40 x 5/32 Fil 34	158087	Bar, No. 1 Code 16
155952	Pin 38	157101	Cable 41	158088	Bar, No. 2 Code 16
155953	Stud 38	158000	Base 3,10,27,37,40,43,48	158089	Bar, No. 3 Code 16
155954	Switch, Sensitive 27,29, 38,50	158001	Gear, 33T 49	158090	Bar, No. 4 Code 16
155956	Bail 38	158002	Gear, 11T 49	158091	Bar, No. 5 Code 16
155957	Bracket 38	158003	Pinion, 12T 49	158093	Spacer, .047" Thk 16
155958	Keylever 38	158004	Gear, 47T 49	158094	Stud 16
155959	Keytop 38	158005	Pinion, 9T 49	158099	Lever 36
155960	Latch 34	158006	Gear, 44T 49	158103	Latch w/Hub 16
155964	Lever, Stop 34	158007	Container Assembly 1,32	158105	Bar, Carriage Return Code 16
155965	Ratchet, 88T 34	158009	Switch Assembly, Tape-Out 1,33	158107	Bar, Character Counter Code 16
155966	Drum 34	158010	Bar, Locking 18	158113	Frame 26
155967	Washer, Spring 34	158011	Lever, Blocking 26	158114	Cam, Control 26
155968	Washer, Flat 34	158019	Baffle 34	158115	Bushing 26
155969	Bracket 34	158021	Bracket, Switch 34	158116	Lever, Reset 26
155990	Counter Assembly, Character 1,34	158027	Gear Set, 100 WPM 49	158117	Follower, Reset Cam 26
155991	Keytop Assembly 38	158028	Gear Set, 75 WPM 49	158118	Guide 26
155992	Cable Assembly 29,38	158029	Gear Set, 60 WPM 49	158119	Bracket 26
155994	Insulator, .015" Thk 27, 38	158031	Bail, Feed 34	158120	Bracket 26
155996	Pinion, 13T 49	158032	Bail, Reset 34	158121	Roller 26
155997	Gear, 60T 49	158033	Spacer, .055" Thk 34	158122	Bracket 26
155998	Pinion, 12T 49	158036	Lever, Reset 34	158123	Shaft 26
155999	Gear, 34T 49	158038	Lever 34	158135	Link 26
156078	Contact Assembly 30	158040	Lever, Ratchet Drive 34	158136	Latch 26
156226	Hub 7,8	158042	Lever, Latch 34	158137	Extension, Code Bar 26
156448	Bushing 33	158045	Stud 34	158139	Bellcrank 26
156449	Lever, Switch 33	158046	Bracket 34	158141	Lever w/Hub 26
		158047	Scale 34	158144	Slide w/Stud 26
		158050	Switch, Contact 34	158145	Extension 26
		158051	Pulley 34	158147	Bushing, Eccentric 27,34
		158052	Cam, Switch 34	158148	Washer, Felt 27
		158053	Clamp 34	158149	Bracket 27
		158054	Cord Assembly 34	158150	Shaft 27
		158056	Cord 34	158151	Arm 27
		158060	Spring 26	158156	Lever w/Stud 27
				158158	Roller 27

## NUMERICAL INDEX (Continued)

Part Number	Description and Page Number	Part Number	Description and Page Number	Part Number	Description and Page Number
158160	Bracket 27	159282	Gear, 93T 49	161826	Plate 33
158161	Indicator Assembly 27	159284	Pinion, 20T 49	161859	Gear Set, 60 WPM 49
158162	Bracket 27	159285	Gear, 84T 49	161860	Gear Set, 75 WPM 49
158163	Switch, Sensitive 27,33, 50	159287	Retainer, Pinion 47,49	161861	Gear Set, 100 WPM 49
158164	Lever w/Hub 27	159327	Washer, Flat 23	161882	Plate w/Bracket 8
158186	Screw, 4-40 x 7/32 Fil 29	159334	Washer, Insulating 23	161954	Socket, Lamp 14
158189	Washer, Felt 27	159340	Spring, Return 34	162075	Reel, Tape 32
158202	Housing, Switch 28	159341	Bearing, Ball 6,8,47	162308	Bail, Code Bar 23,41
158205	Cover 28	159343	Cable w/Terminals 38	162309	Bar, Clutch 16
158206	Screw, 6-32 Thumb 28	159404	Post 8	162333	Stud, Locating 9
158208	Gear 43T 28	159543	Washer, Flat 32	162335	Cable 18
158210	Shaft Assembly 28	159568	Bracket, Contact 31	162344	Contact Assembly 18
158212	Bracket 3	159570	Spring, Contact 30,31	162345	Switch, Rotary 28
158213	Plate, Nut 3	159571	Stiffener 30,31	162659	Retainer 47
158215	Plate, Nut 3,4,32,34,53	159804	Spring 45	162731	Modification Kit 1,39
158216	Plate, Nut 3	159882	Gear Set, 65 WPM 49	162815	Cable Assembly 39
158217	Plate, Nut 3	159883	Gear Set, 106 WPM 49	162873	Contact Assembly, Universal 41
158219	Switch, Rotary 28	159897	Arm 26	162874	Clamp 41
158226	Bracket w/Bushing 18	159899	Pin 26	162875	Bracket 41
158228	Lever w/Stud 18	159976	Armature 46,51	162876	Bar, Retainer 41
158230	Bracket, Contact 18	159977	Hinge 51	162878	Contact Assembly 35
158231	Contact, Lock Bar 18	159978	Shaft 51	162878	Contact Assembly 35
158233	Bracket 32	160090	Lever, Transfer 22	162879	Spring, Contact 35
158238	Plate 33	160185	Post 31	162880	Bracket 30,35
158239	Lever, Tape 33	160369	Switch, NO Push Button 14	162881	Plate 30,35
158241	Container, Tape 32	160370	Switch, NC Push Button 14	162882	Bushing, Insulating 35
158250	Block, Terminal 3,4	160377	Switch, Rotary 28	162883	Cover, Insulating 30,35
158251	Plate, Mounting 3,4	160393	Cable Assembly 28	162884	Arm 35
158252	Insulator, Terminal Block 4	160583	Spring, Contact 9	162885	Segment, Cam 21,35
158255	Cable Assembly 33	160987	Pad, Tape Container 32	162886	Screw, 4-40 x 7/32 Hex 21
158268	Latch w/Hub 23	161089	Shaft 43	162891	Cover, Contact Box 24
158271	Guard, Gear 7	161100	Spring, Contact 31,35	162892	Box Assembly, Contact 1, 24
158275	Plate, Clamp 18	161102	Spring, Contact 30,31	163015	Pinion, 28T 49
158276	Screw, 3-48 x 11/16 Rd 18	161238	Connector, 36 Pt Receptacle 4,50	163018	Gear, 49T 49
158277	Screw, 3-48 x 1 Rd 18	161239	Connector, 36 Pt Plug 50	163019	Pinion, 21T 49
158281	Connector 32 Pt Plug 50	161293	Gear Set, 60 WPM 49	163020	Gear, 48T 49
158289	Reel Tape 32	161294	Gear Set, 75 WPM 49	163021	Pinion, 28T 49
158299	Cover, Contact 18	161295	Gear Set, 100 WPM 49	163022	Gear, 80T 49
158745	Clamp, Bearing 5,6,7,8,47	161301	Post, 47,49	163023	Gear Set, 60 WPM 49
158753	Armature, Magnet 36	161330	Gear, 49T 49	163024	Gear Set, 75 WPM 49
158754	Core, Magnet 36	161331	Pinion, 11T 49	163025	Gear Set, 100 WPM 49
158816	Spring, Contact 9	161332	Gear, 42T 49	163302	Gear Set, 67 WPM 49
158828	Bushing, Mounting 6	161333	Pinion, 10T 49	163388	Keytop 40
158859	Post, Spring 36,46	161346	Washer, Felt 22	163440	Gear, 48T 5,6
158907	Spring 22	161347	Washer, Felt 39	163445	Insulator, Strip 24,25
159278	Pinion, 14T 49	161356	Gear Set, 67 WPM 49	163452	Pinion, 20T 49
159279	Gear, 96T 49	161357	Gear Set, 71 WPM 49	163453	Gear, 56T 49
159281	Pinion, 17T 49	161440	Spring 16,26	163454	Gear Set, 107 WPM 49
		161525	Connector, 14 Pt Plug 14, 30	163455	Pinion, 20T 49

## NUMERICAL INDEX (Continued)

Part Number	Description and Page Number	Part Number	Description and Page Number	Part Number	Description and Page Number
163456	Gear, 52T 49	164158	Latch 40	170100	Gear Set, 100 WPM 49
163457	Gear Set, 71 WPM 49	164160	Link 41	170101	Bar, No. 1 Code 17
163460	Gear, 55T 5,6	164161	Drum, Message 40	170102	Bar, No. 2 Code 17
163461	Pinion, 18T 49	164162	Ring "O" 40	170103	Bar, No. 3 Code 17
163462	Gear, 117T 49	164163	Blade, Stop 40	170104	Bar, No. 4 Code 17
163463	Pinion, 24T 49	164164	Blade, Code 40	170105	Bar, No. 5 Code 17
163464	Gear, 104T 49	164165	Plate, Drive 40,45	170106	Bar, No. 0 Code 17
163500	Gear, 52T 49	164168	Pawl, Stepping 40,45	170172	Bracket 37
163501	Pinion, 30T 49	164169	Stud, Eccentric 40,45	170173	Lever w/Hub 37
163502	Gear Set, 107 WPM 49	164224	Insulator 3,4	170185	Pinion, 25T 49
163504	Gear Set, 71 EPM 49	164234	Gear Assembly, Intermediate 1,6	170186	Gear, 119T 49
163505	Gear Set, 107 WPM 49	164240	Insulator 4	170187	Pinion, 30T 49
163511	Plate 15	164349	Shaft Assembly, Clutch Cam 21	170188	Gear, 59T 49
163512	Bracket 15	164379	Cable 36	170189	Pinion, 15T 49
163519	Sleeve, Gear 21	164426	Modification Kit 2,43	170190	Gear, 51T 49
163531	Switch Assembly, Tape-Out 1,33	164457	Keylever Assembly 35	170293	Pinion, 11T 49
163532	Cable Assembly 33	164485	Bail w/Hub 20,36	170297	Gear, 33T 49
163536	Spacer, .562" Thk 24	164489	Bar, Universal 36	170320	Connector, 24 Pt Receptacle 50
163585	Bracket, Right 12,15,35, 41,48	164490	Bar, Clutch Trip 36	170322	Lens, Red Pilot Light 14
163586	Bracket, Left 12	164495	Cable Assembly 50	170323	Lens, Yellow Pilot Light 14
163588	Modification Kit 15	164496	Bail 40	170324	Bracket, Front 16,17,38
163647	Channel, Ball 19,35,42	164497	Eccentric 40	170325	Bar, Auxiliary Code 17
163699	Spring 26	164499	Bar, Locking 40	170329	Plate, Left 14
163775	Modification Kit 1,38	164500	Resistor Assembly 2,42	170330	Plate, Right 14
163813	Plate 38	164501	Plate, Mounting 42	170331	Bar Assembly 1,19
163814	Lever w/hub 38	164502	Modification Kit 1,2,40, 41,42	170332	Bail Assembly, Universal 1,19
163852	Keylever Assembly 35	164504	Cable w/Terminals 42	170334	Shaft Assembly, Clutch Cam 21
163963	Plate 15	164583	Modification Kit 49	170337	Indicator Assembly 27
163964	Plate 14	164584	Modification Kit 49	170349	Container Assembly 1,32
163979	Lever, Code Bar 35,40	164585	Modification Kit 49	170350	Bar, No. 0 Code 17
164005	Modification Kit 41	164644	Post 36	170351	Bar, No. 1 Code 17
164107	Bracket 28	164645	Post 36	170352	Bar, No. 2 Code 17
164127	Plate, Keytop Guide 11, 14,15	164646	Plate, Nut 36	170353	Bar, No. 3 Code 17
164131	Cable Assembly 14	164647	Bracket 36	170354	Bar, No. 4 Code 17
164138	Stud 41	164649	Plate, Mounting 36	170355	Bar, No. 5 Code 17
164142	Bracket 4,40,43	164650	Contact Assembly	170356	Bar, No. 6 Code 17
164143	Plate, Mounting 40,43,45	164651	Bail, Armature 36	170357	Bar, No. 7 Code 17
164144	Plate, Side 40,45	164653	Bracket 36	170358	Bracket 3
164145	Pivot, Lever 40,45	164659	Modification Kit 1,36	170360	Bar, Auxiliary Code 17
164146	Lever, Stop 40	165027	Network, Spark Suppression 4	170361	Bar, Clutch Trip 17
164148	Spacer, Stop Arm 40	165693	Cable w/Terminals 35	170362	Latch, Auxiliary 17
164149	Lever, Blocking 40	170086	Lever, Selector 22	170363	Bracket, Left 17
164151	Lever, Detent 40	170088	Gear Set, 88 WPM 49	170364	Bracket, Right 17
164154	Lever, Sensing 40	170089	Gear Set, 88 WPM 49	170365	Guide, Code Lever 17
164155	Yoke, Magnet 40	170098	Camsleeve 21	170368	Shaft 17
164156	Armature 40	170099	Shaft Assembly, Clutch Cam 21	170369	Bracket, Support 17
164157	Shaft 40				

## NUMERICAL INDEX (Continued)

Part Number	Description and Page Number	Part Number	Description and Page Number	Part Number	Description and Page Number
170370	Lever, Function 17	171952	Connector, Green Shielding 50	174411	Insulator 25
170371	Lever, Function 17	171972	Connector, Green Insulated 50	174412	Spacer, .531" Thk 25
170372	Bail, Universal 19	172945	Modification Kit 1,2,40, 41,42	174413	Terminal 25
170373	Blade, Rear 19	172947	Plate, Mounting 42	174414	Bushing 25
170374	Blade, Front 19	172948	Cable Assembly, Resistor Mounting 2,42	174415	Cover, Contact Box 25
170375	Lever, Auxiliary 17	172978	Cover, Contact 18	174416	Box, Contact 25
170376	Channel Assembly, Ball 19	173028	Post, Spring 41	174421	Filter, R. F. 25
170379	Retainer, Ball 19	173029	Lever, Latch 41	174491	Modification Kit 24
170380	Retainer, Wedge 19	173095	Link 41	176304	Bracket 40,45
170381	Lever, Start 22	173096	Stud, Eccentric 23,41	176305	Lever, Reset 45
170382	Lever, No. 2 Selector 22	173122	Modification Kit 41	176306	Pawl 45
170383	Lever, No. 3 Selector 22	173220	Plate, Left 14	176307	Arm, Drive 45
170385	Frame w/Bushing 20,36	173221	Panel Assembly, Left 14	176308	Screw, 4-40 Eccentric 45
170386	Guide, Transfer Lever 22	173398	Cable w/Terminal 41	176309	Finger 45
170388	Post, Guide 22	173508	Gear, 66T 8	176310	Bracket 45
170390	Bail, Locking 22	173645	Coupling 7	176311	Pawl, Release Lug 45
170391	Guide, Transfer Lever 22	173711	Cable Assembly 26	176312	Screw, 4-40 Eccentric 45
170392	Lever, Non-Repeat 23	173715	Terminal, Plug Type 50	176313	Latch, Drive Pawl 45
170395	Bracket, Function Ball 9, 10	173716	Terminal, Receptacle Type 50	176314	Roller 45
170396	Bail, L.B.S. 10	173793	Gear, 100T 49	176316	Spacer, Reset Lever 45
170397	Bail, L.C.R. 9	173794	Pinion, 14T 49	176318	Shaft 45
170398	Lever, L.L.F. 9	173795	Gear Set, 65 WPM 49	176320	Plate 45
170399	Lever 10	173992	Gear Set, 65 WPM 49	176321	Shim, .010" Thk 45
170400	Plate, Keytop Guide 11,14	173993	Pinion, 14T 49	176323	Plate, Side 45
170401	Frame, Front 12	173994	Gear, 40T 49	176339	Post, Stop 23
170403	Plate, Right 14	174034	Screw, 4 40 x 13/16 Hex 30	176354	Sleeve 22
170404	Plate, Left 14	174181	Bracket, Rear Mounting 35	176395	Modification Kit 2,45
170405	Panel Assembly, Right 14	174182	Relay, 550 Ohm 35	176405	Modification Kit 1,38
170406	Bracket, Left Space Bar 12,13	174183	Guard 35	176406	Bracket 38
170407	Bracket, Right Space Bar 12,13	174184	Plate, Cover 35	176407	Lever 38
170409	Bail, Space Bar 12,13	174217	Frame 43	176436	Cam, Control 26
170410	Plate, Nut 3	174219	Bracket 43	176632	Bracket 43
170412	Bracket, Switch Mounting 9	174220	Bushing 43	176633	Switch, Rotary 43
170413	Contact Assembly 9	174221	Washer, Spring 43	176634	Lever, Actuator 43
170414	Lever, Function 17	174222	Armature 43	176659	Lever, Trip 4
170418	Bracket 27	174223	Cover 43	176661	Bracket w/Post 4
170419	Spacer 12	174225	Cable Assembly 43	176663	Link 3
170454	Bar, Space 11	174226	Cable w/Terminals 43	176672	Solenoid 4
170456	Container, Tape 32	174227	Cable Assembly 43	176673	Suppressor, Spark 4
170494	Keylever Assembly 10	174238	Magnet Assembly 43	176674	Bracket 32
170496	Keylever Assembly, LOC B SP 10	174250	Pin, Roll 46,47	176675	Solenoid Assembly 4
170499	Panel Assembly, Left 14	174350	Bar, Code 16	176691	Resistor w/Terminals, Ohm 4
171541	Diode 52	174410	Box Assembly, Contact 1, 25	176700	Base 4
171559	Lamp, 28 V Incandescent 14,50			176702	Bracket 4,5
				176703	Plate, Mounting 4
				176709	Container Assembly 1,32
				176752	Ring, Retaining 46
				176770	Bracket 46
				176771	Shaft, Driver 46



## NUMERICAL INDEX (Continued)

Part Number	Description and Page Number	Part Number	Description and Page Number	Part Number	Description and Page Number
176772	Gear, 56T 46,49	178774	Gear, 60T 49	192555	Plate, Keytop Guide 13
176774	Gear, 42T 56	178775	Gear Set, 61 WPM 49	192556	Frame 13
176776	Gear, 50T 46	178776	Pinion, 17T 49	192557	Grommet, Rubber 13
176779	Wick, Felt 46	178777	Gear, 56T 49	192629	Shaft 8
176780	Hub 46	178785	Shaft Assembly 21	192630	Bracket 50
176781	Shaft, Clutch 46	178787	Sleeve, Gear 21	192681	Screw, 4-40 Spl 19
176782	Gear, 63T 46	178790	Contact Assembly 18	192937	Capacitor, .068 MFD 53
176784	Bearing, Flange 46	178795	Camsleeve 21	192941	Capacitor, 1,500 MFD 53
176787	Gear, 66T 46	178849	Cord Assembly, Indicator 34	192963	Resistor, 33,200 Ohm 53
176789	Hub 46	178851	Pulley 34	192964	Inductor, 1,700 Ohm 53
176790	Washer, Bearing 46	178871	Sleeve, 7/16 ID x 1-1/8 Lg Insulating 42	193565	Coupling, Flexible 8,49
176792	Sleeve w/Stud 46	179170	Screw, 6-40 x 3/4 Rd 14	193654	Clamp, Armature 36
176793	Sleeve 46	179258	Bracket, Scale 34	193802	Modification Kit 23
176794	Spring, Right Clutch 46	179278	Drum, Ratchet 34	193983	Guide, Tape 32
176795	Spring, Left Clutch 46	179279	Bracket w/Posts 34	194048	Screw, 4-40 Spl 53
176796	Wick, Felt 46	179279	Bracket w/Posts 34	194156	Screw, 6-40 Shoulder 12
176797	Gear, 48T 46	179362	Cable Assembly 33,36	194425	Modification Kit 1,36
176799	Gear, 35T 46	179363	Cable Assembly 36	194452	Lever 16
176801	Guard, Gear 46	179491	Switch Assembly, Back Space 38	194901	Screw, 4-40 Spl 53
176802	Plate, Right Bearing 46	179623	Resistor, 3,920 Ohm 3	194925	Pinion, 13T 49
176803	Plate, Left Bearing 46	179634	Bracket, Connector Mounting 53	194926	Gear, 81T 49
176804	Shaft, Idler 46	179639	Contact Assembly 53	194927	Gear Set, 67 WPM 49
176805	Gear, 25T 46	179643	Network, Filter 53	194928	Gear Set, 67 WPM 49
176807	Shaft, Trip 46	179740	Cable Assembly 43	195144	Pinion, 11T 49
176808	Bracket 46	179747	Shaft 28	195145	Gear, 49T 49
177005	Contact Assembly 18	179748	Connector, 5 Pt Plug 52, 53	195146	Gear Set, 67 WPM 49
177018	Bracket 43	180675	Screw, No. 6 Self-Tapping 3,4	195147	Gear Set, 67 WPM 49
177355	Resistor, 4,000 Ohm 3	180904	Tab, Terminal 3,4	195154	Modification Kit 2,7,47
178142	Camsleeve 21	181392	Terminal, Tab Type 3,4	195155	Cable w/Terminals 47
178329	Cable Assembly 35	192013	Connector, 50 Pt Plug Type 50	195156	Pinion, 28T 47
178331	Cable Assembly 35	192025	Washer, Flat 47	195157	Gear, 49T 47
178339	Cable Assembly 35	192176	Terminal, Plug Type 50	195158	Bracket w/Bearings 47
178340	Relay Assembly, Control 35	192177	Terminal, Receptacle Type 50	195160	Pinion, 20T 47
178346	Modification Kit 1,21,35	192224	Panel, Tape Container 32	195161	Shaft 47
178349	Cable Assembly 35	192511	Bar, Space 13	195163	Bracket 47
178490	Modification Kit 16	192533	Plate, Rear 23	195147	Gear Set, 67 WPM 49
178491	Bail 23	192534	Post, Locking Bail 22	195154	Modification Kit 2,7,47
178492	Lever 23	192538	Plug, Button 13	195155	Cable w/Terminals 47
178493	Latch w/Hub 23,41	192550	Bar Assembly, Ball Lock 1,19	195156	Pinion, 28T 47
178494	Spring, Torsion 23	192552	Channel, Ball 19	195157	Gear, 49T 47
178535	Suppressor, Spark 3	192553	Bracket, Left Mounting 13	195158	Bracket w/Bearings 47
178599	Cable w/Terminal 3	192554	Bracket, Right Mounting 13	195160	Pinion, 20T 47
178725	Spring 34			195161	Shaft 47
178726	Bracket, Spring 34			195163	Bracket 47
178728	Modification Kit 34			195164	Bracket, Bearing 7
178769	Gear Set, 100 WPM 49			195165	Shaft w/Bearing 7,47
178770	Pinion, 23T 49			195166	Plate 7
178771	Gear, 46T 49			195167	Lever 47
178772	Gear Set, 66 WPM 49			195168	Bracket 47
178773	Pinion, 20T 49			195169	Bracket 47

## NUMERICAL INDEX (Continued)

Part Number	Description and Page Number	Part Number	Description and Page Number	Part Number	Description and Page Number
195182	Pinion, 20T 49	199103	Keytop w/Shaft, FLD 29	309508	Bracket, Left 11,48
195183	Gear, 52T 49	199183	Cable Assembly 52	309509	Bracket, Right 35,41,48
195184	Gear Set, 67 WPM 49	199184	Cable Assembly 52	309510	Bar, Retaining 35,41,48
195186	Screw, 4-40 x 7/8 Hex 24	199189	Diode Assembly 52	309511	Modification Kit 2,16,48
195187	Screw, 4-40 x 1-1/2 Hex 24,53	199193	Bushing, Insulating 53	310153	Jumper, 15" Green 3,4
195263	Pinion, 22T 47	199196	Link 53	311438	Switch Assembly, Tape-Out 1,33
195264	Gear, 49T 47	199361	Modification Kit 3,4	311439	Cable Assembly 33
195292	Lever 16	199650	Arm w/Stud 26	311451	Camsleeve 21
195417	Shaft, Driven 47	301699	Reel, Tape 32	311676	Modification Kit 2,8,47
195418	Gear, 48T 47	304211	Gear, 26T 47	311741	Bracket, Space Bar 12,13
195420	Pawl 47	304212	Gear, 55T 47	311881	Pinion, 15T 47
195427	Washer, Flat 47	304229	Plate 47	311882	Gear, 26T 47
195651	Box, Contact 53	304610	Plate, Right Switch 14	311883	Gear, 21T 47
195652	Cover, Contact Box 53	304672	Plate, Keytop Guide 11	311884	Gear, 50T 47
195717	Plate, Identification 3,4	305569	Pinion, 22T 49	311885	Gear, 24T 47
195923	Filter, R. F. 24	305570	Gear, 55T 49	311886	Gear, 52T 47
198050	Gear Set, 81 WPM 49	305571	Pinion, 14T 49	311887	Gear, 36T 47
198051	Pinion, 17T 49	305572	Gear, 52T 49	311888	Gear, 52T 47
198052	Gear, 97T 49	305573	Pinion, 13T 49	311889	Pinion, 18T 47
198053	Gear Set, 106 WPM 49	305574	Gear, 53T 49	311890	Gear, 54T 47
198054	Pinion, 21T 49	305577	Gear Set, 100 WPM 49	311891	Gear, 22T 47
198055	Gear, 92T 49	305578	Gear Set, 67 WPM 49	311893	Bracket w/Bearings 47
198056	Gear Set, 81 WPM 49	305579	Gear Set, 60 WPM 49	312691	Pinion, 26T 49
198057	Pinion, 19T 49	305632	Pinion, 22T 8	312692	Gear, 94T 49
198058	Gear, 70T 49	305633	Gear, 55T 8	312705	Gear Set, 107 WPM 49
198350	Modification Kit 36	305634	Bracket Assembly, Bearing 1,8	315525	Plate, Keytop Guide 11
198351	Cable w/Terminals 36	305635	Shaft w/Bearings 8	315867	Shaft w/Bearing 8,47
198588	Bracket 51	305757	Lever, Switch 28	317202	Modification Kit 2,8,47
198589	Hinge 51	305758	Bracket 4	317203	Plate w/Bracket 8
198590	Fork 51	305760	Bracket, Connector 52	317349	Modification Kit 2,7,47
198592	Cover 51	305732	Resistor, 1.5 Meg Ohm 28	318900	Pinion, 24T 47
198601	Bracket 52	306991	Bracket 5	318901	Gear, 56T 47
198606	Connector, 4 Pt Receptacle 52	306992	Clamp 5	318904	Gear Set 47
198608	Connector, 4 Pt Plug 52	306993	Plate 5	319394	Screw, 10-24 Set 8,49
198609	Bracket, Mounting 52	306994	Shaft 5	319909	Pinion, 13T 49
198679	Bracket, Bolt Retaining 47	306995	Spacer 5	319910	Gear, 50T 49
198680	Screw, 10-32 Spl 47	306996	Washer, Flat 5,39	319911	Gear Set, 65 WPM 49
199070	Box Assembly, Contact 2, 53	307788	Bracket 47	319912	Pinion, 10T 49
199073	Bar, Counter 51	307844	Pinion, 10T 49	319913	Gear, 35T 49
199075	Plate, Contact Mounting 51	307845	Gear, 57T 49	319914	Gear Set, 71 WPM 49
199090	Pinion, 20T 49	307846	Pinion, 20T 49	319915	Pinion, 24T 49
199091	Gear, 56T 49	307847	Gear, 70T 49	319916	Gear, 56T 49
199100	Keytop w/Shaft, FO 29	307848	Pinion, 15T 49	319917	Gear Set, 107 WPM 49
199101	Keytop w/Shaft, H-ON 29	397849	Gear, 78T 49	320408	Terminal, Spade Type 35
199102	Keytop w/Shaft, D-ON 29	307850	Gear Set, 60 WPM 49	320410	Terminal, Spade Type 3,4, 14,27,35,36,37,38,39,41, 42,43,47,50,52
		307851	Gear Set, 67 WPM 49		
		307852	Gear Set, 100 WPM 49		
		309506	Spring, Gold Plated 48	320416	Terminal, Ring Type 50
		309507	Contact 35,41,48	320418	Terminal, Ring Type 50

## NUMERICAL INDEX (Continued)

Part Number	Description and Page Number	Part Number	Description and Page Number	Part Number	Description and Page Number
320420	Terminal, Ring Type 3,4	323761	Plunger, Red 14	326730	Gear Assembly, Intermediate 1,5
321727	Guide 35,41,48	323762	Plunger, Green 14	327119	Screw, 4-40 x 1-1/2 Hex 25
321767	Switch, Pushbutton 50	323763	Plunger, Black 14	330714	Insulator 35,41,48
321768	Switch, Pushbutton 50	324531	Contact Assembly 36	330963	Keylever 48
323708	Switch, SP-DT Pushbutton 14	324533	Stiffener w/Contact 36	330964	Keylever 40,48
323709	Switch, SP-DT Pushbutton 14	324534	Spring, Contact 36	330965	Keylever 48
323710	Switch, SP-DT Pushbutton 14	324535	Insulator 36	330966	Keylever 48
		326727	Gear Assembly, Intermediate 1,5		

