

**TP310153 ELECTRICAL WIRE ASSEMBLY; TP180904 TERMINAL TAB;
TP180675 SCREW; TP144764, TP176700, AND TP158000 BASES;
ALSO TP199361 MODIFICATION KIT**

APPARATUS AFFECTED: 28A, 28B, 28D, 28E, 28F, 28G, 28G-1, 28H, 28J, 28J-1, 28K Perforator-Transmitter-Bases; TP144764, TP176700, and TP158000 Bases; TP199361 Modification Kit.

OBJECT: To insure a more reliable grounding arrangement and to facilitate connecting and disconnecting of the ground wire.

CHANGE: The TP144764, TP176700, and TP158000 bases have been modified by the addition of a 0.115 diameter hole (adjacent to the lower left motor mounting screw) for mounting a terminal tab by means of a self-tapping screw. See Figure 1.

The TP151569 ground strap connected between the TP158196 right base rail and the cabinet has been replaced with a TP310153 wire assembly consisting of 15 inches of No. 18 wire (green) equipped with a closed type lug on one end and a push type lug at the other end. The closed type lug mounts on the TP158682 plate (cabinet frame ground). The push type lug mates with the new TP180904 terminal tab mounted on the base.

A TP199361 modification kit consists of the following parts for the new grounding arrangement.

- 1—TP310153 Electrical Wire Assembly
- 1—TP180904 Terminal Tab
- 1—TP180675 No. 6 Hex Head Self-Tapping Screw

The wiring diagrams in Section 573-117-400, issue 5, covering 28-type perforator-transmitter-bases will be reissued to include the ground.

The TP158000 base is shown in Bulletin 1169B, page 1-2, change 7. The TP144764, and TP176700 bases are shown in Bulletin 1169B, page 1-4, change 7. The TP158682 plate is shown in 1169B, page 5-3, change 8.

IDENTIFICATION: See "CHANGE".

INTERCHANGEABILITY: New and old style ground assemblies are interchangeable.

CLASSIFICATION FOR APPARATUS FURNISHED BY TELETYPE: This change is now in effect.

W.E.CO. STOCK OF OLD STYLE PARTS: TP151569 grounding strap shall not be furnished.

APPLICATION TO APPARATUS IN THE FIELD: Old style grounding arrangement operating satisfactory need not be replaced.

SECTION 573-117-400.01

APPLICATION AT W.E.CO. DIST. HOUSE REPAIR SHOPS: All units shall be equipped with the new grounding arrangement if parts involved require replacement or if units are disassembled for other reasons.

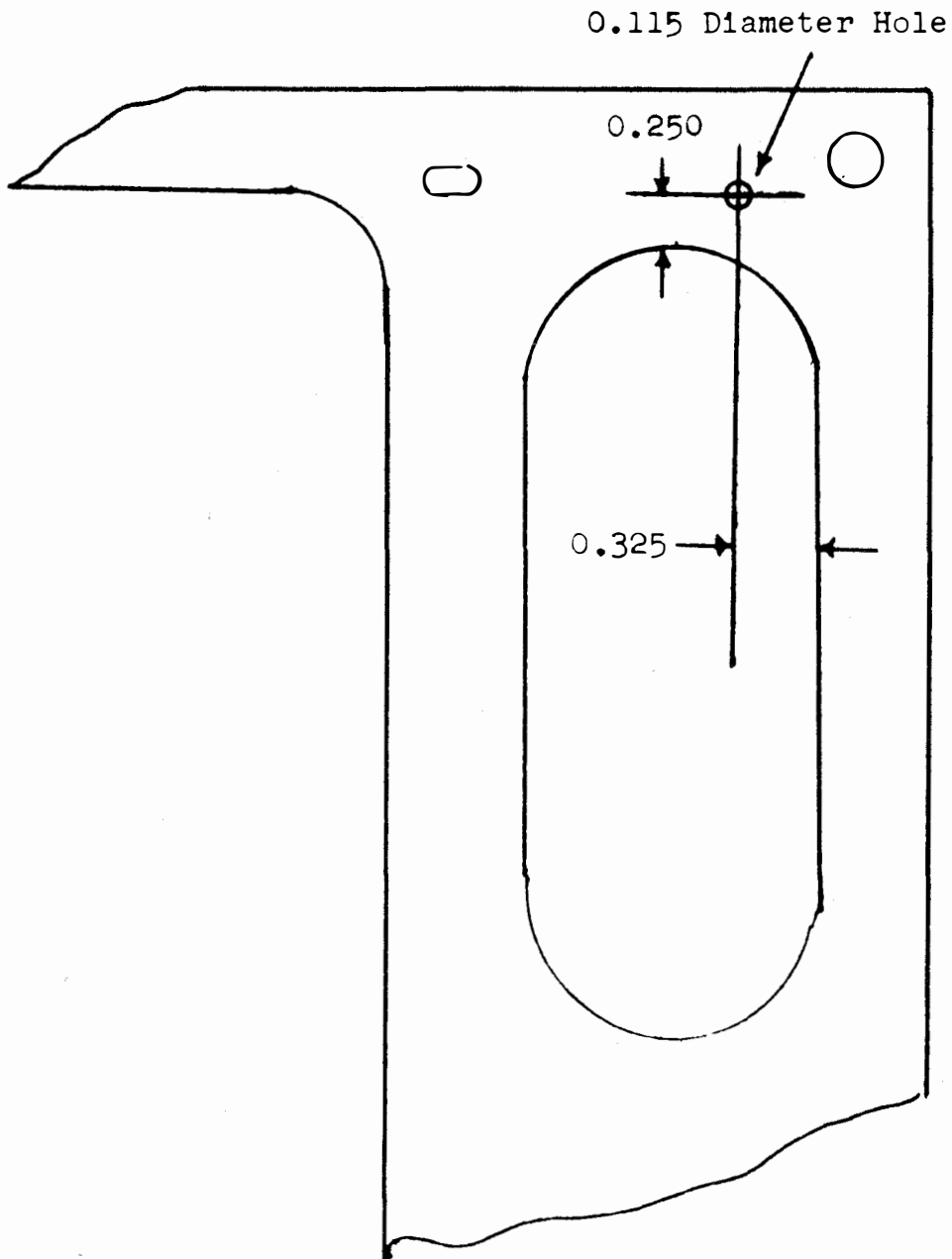


Fig. 1 - TP144764, TP176700 or TP158000 Base