

28 AUTOMATIC SEND-RECEIVE (ASR) TELETYPEWRITER SETS

FOR U. S. NAVY

COMPONENT WIRING DIAGRAMS

1. GENERAL

1.01 This section contains schematic and/or actual wiring diagrams for the component units of Automatic Send-Receive Teletypewriter Sets listed in Section 573-101-000TC.

1.02 An overall typical schematic wiring diagram of a set is included in the description Section 573-101-100TC.

Note: Wiring diagram numbers are followed with suffix A or S to designate actual or schematic. The numbers are arranged numerically in the section but not in the diagram index.

2. WIRING DIAGRAM INDEX

SUBJECT	NAVY DESIGNATION	DESIGNATION OF MANUFACTURER	WIRING DIAGRAM NUMBER	ISSUE
MOTOR UNITS	PD-17A/U	LMU 3	2900WD-A	42
	PD-18/U	LMU 4	2900WD-A	42
	PD-18A/U	LMU 41	2900WD-A	42
	PD-67/U	LMU 12	2900WD-A	42
	PD-77/U	LMU 14	2900WD-A	42
	PD-77A/U	LMU 39	2900WD-A	42
	PD-108/U	LMU 38	2900WD-A	42
	PD-111/U	LMU 50	2900WD-A	42
TYPING UNITS	MX-1115B/UG	LP14RN/AY	3214WD-A	44
	MX-1422A/UG	LP14RE/AY	3214WD-A	44
	MX-2984/UG	LP14RN/AGH	3214WD-A	44
	TT-325/UG	LP14RN/AHF	3214WD-A	44
	TT-372/UG	LP108RN/AY	3214WD-A	44
	TT-378/UG	LP108RE/ACX	3214WD-A	44
	TT-400/UG	LP14RE/ACX	3214WD-A	44
	TT-437/UG	LP14RN/AJG	3214WD-A	44
	TT-441/UG	LP14RE/AJG	3214WD-A	44
	TT-374/UG	LP108RN/AGH	3813WD-A	D
	TT-436/UG	LP14RN/AJE	3813WD-A	D
CABINETS	CY-2529/UG	LAAC 200	3264WD-A	20
	CY-3082/UG	LAAC 237	3264WD-A	20
ELECTRICAL SERVICE UNITS	SB-959/UG	LESU 13	3292WD-A	19
	SB-1061/UG	LESU 12	3294WD-S	24
			3344WD-A	K
			3343WD-S	P

## SECTION 573-101-400TC

## 2. WIRING DIAGRAM INDEX continued

SUBJECT	NAVY DESIGNATION	DESIGNATION OF MANUFACTURER	WIRING DIAGRAM NUMBER	ISSUE
ELECTRICAL SERVICE UNITS	SB-1302/UG	LESU 73	4385WD-A	B
	SB-2611/UG	LESU 96	4386WD-S	C
	SB-2680/UG	LESU111	5930WD-A 5931WD-S 7015WD-A 7016WD-S	ORIG A 5 3
TRANSMITTER DISTRIBUTOR	TT-251/UG	LXD 3	3300WD-A	G
	TT-439/UG	LXD 27	3300WD-A	G
	TT-311/UG	LXD 11	4264WD-A	9
TRANSMITTER DISTRIBUTOR BASE	MT2099/UG MT2452/UG	LCXB1 LCXB 13	————— 4265WD-A	C
KEYBOARD BASE	MX-2643/UG	LAK 4ARN	3302WD-A	17
	MX-2858/UG	LAK 4ARE	3302WD-A	17
	TT-371/UG	LAK 31ARN	4927WD-A	K2
	TT-377/UG	LAK 31ARE	4927WD-A	K2
	TT-433/UG	LAK 42ARN	6456WD-A	4
	TT-440/UG TT-475/UG	LAK 42ARE LAK 46ARN	6456WD-A 6456WD-A	4 4
TYPING REPERFORATOR	TT-266/UG	LPR9/AWA	3628WD-A	21
	TT-267/UG	LPR9/ARE	3628WD-A	21
	TT-373/UG	LPR51/BWA	3628WD-A	21
	TT-375/UG	LPR52/BWA	3567WD-S	13
	TT-379/UG	LPR51/BRH	3628WD-A	21
	TT-380/UG	LPR52/BRH	3628WD-A	21
REPERFORATOR BASE	MT-2234/UG	LRB 6	3590WD-A	4
	MT-2272/UG	LRB 42	3591WD-S	9
	MT-2625/UG	LRB 36	3591WD-S	9
	MT-3369/UG	LRB 51	4447WD-A	7
			3591WD-S	9
		4447WD-A	7	
PAPER WINDER	RL235/UG	LPW 300	5830WD-A&S	6

# SYNCHRONOUS MOTOR UNITS

NOTE:  
REVISION INFORMATION MUST ALSO BE  
REFLECTED ON THE ISSUE CONTROL REC-  
ORD, WHICH IS A PART OF THIS DRAWING.

## 2900WD

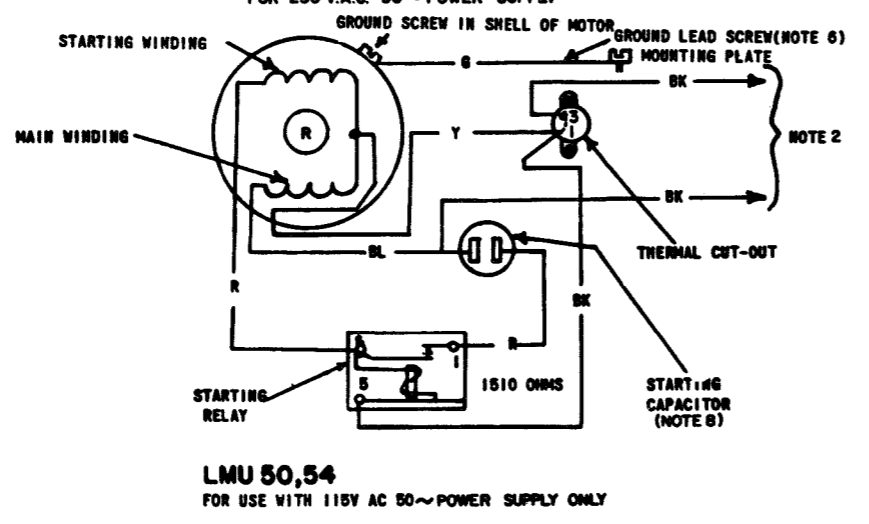
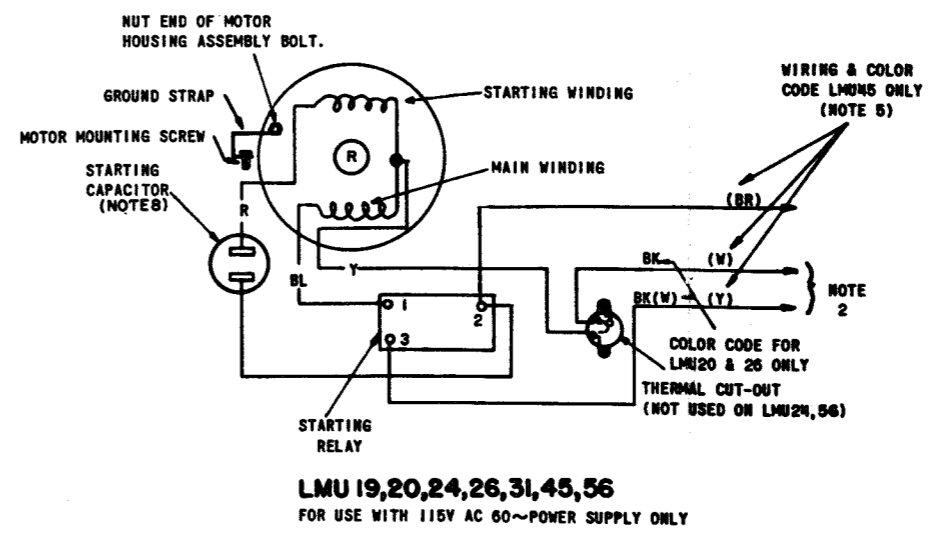
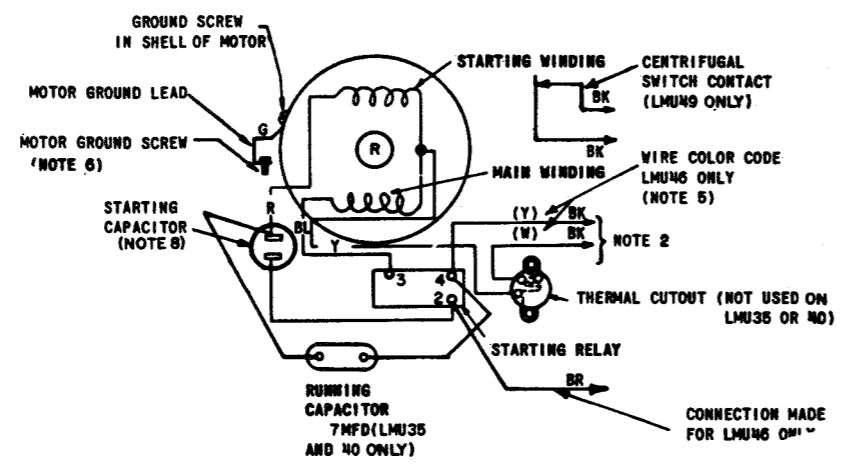
### REVISIONS

ISSUE	DATE	AUTH. NO.
L	2-15-60	28-12947
M	5-17-60	28-13280
N	5-27-60	28-13361
P	7-6-60	28-13898
Q	9-13-60	28-13899
R	12-14-60	28-14406
S	6-23-61	70255
T	8-8-61	70559
U	10-18-61	71471
V	11-30-61	71805
W	8-24-62	74285
X	9-20-62	74657
Y	11-29-62	75216
Z	4-15-63	76588
AA	4-15-63	76592
AB	5-16-63	76665
AC	5-28-63	76180
AD	8-22-63	77845
AE	1-13-64	79266
AF	1-28-64	79730-1
32	4-13-64	79730-2
33	5-22-64	82008
34	11-4-64	84364
35	3-4-65	82432
36	4-10-65	82432-1
37	9-22-65	82432-3
38	11-8-65	82432-4
39	11-10-65	87664
40	2-22-66	90358
41	4-3-66	90828
42	9-21-66	91790

- NO. NOTES**
1. SYNCHRONOUS MOTOR OPERATES ON REGULATED FREQUENCY ( $\pm 0.75\%$ ) MAXIMUM AC ONLY.
  2. CONNECT EITHER WIRE TO DESIGNATED TERMINALS OF UNIT TERMINAL BLOCK, PER WIRING DIAGRAM OF ASSOCIATED UNIT.
  3. MOTOR LEADS OF SAME COLOR ARE INTER-CHANGEABLE.
  5. EXTERNAL NOISE SUPPRESSION NETWORK CONSISTING OF 100 OHM, 1/2 WATT RESISTOR IN SERIES WITH 0.25 MFD 1K V CAPACITOR CONNECTED ACROSS YELLOW AND BROWN WIRES. (FOR LMU46,48)
  6. MOTOR GROUND LEAD (GREEN) TERMINAL MUST BE FASTENED TO MOUNTING CRADLE OF MOTOR UNDER A SEPARATE GROUND SCREW ONLY. A SCREW USED FOR ANOTHER PURPOSE CANNOT BE USED FOR GROUNDING (UNDERWRITERS LABORATORIES REQUIREMENT).
  7. WIRE COLOR CODE:  

BK - BLACK	R - RED
BL - BLUE	O - ORANGE
BR - BROWN	Y - YELLOW
P - PURPLE	S - SLATE
W - WHITE	G - GREEN
  8.

LMU	STARTING CAPACITOR VALUE
3, 15, 21, 30, 33, 36, 37, 38, 42, 46, 48, 51, 52	43-48 MFD
11, 12	170-226 MFD
38, 40	64-77 MFD
55	15-18 MFD
19, 20, 24, 26, 31, 45, 56	88-108 MFD
50, 54	161-193 MFD



SEE ISSUE CONTROL RECORD FOR COMPLETE LIST OF SHEETS COMPRISING THIS W.D.

SHEET 1

ACTUAL  
WIRING DIAGRAM  
FOR  
MODEL 28 & 35  
MOTOR UNITS

APPROVALS

D AND R	E OF M
.....	.....

E-NUMBER

PROD. NO. 2900WD

DATE 1-28-55

P.D. FILE NO. 1-30.65.156A

DRAWN E.R.	CHKD. R.E.H.
ENGD. S.M.B.	APPD.

TELETYPE CORPORATION

## 2900WD

# SERIES GOVERNED MOTOR UNITS

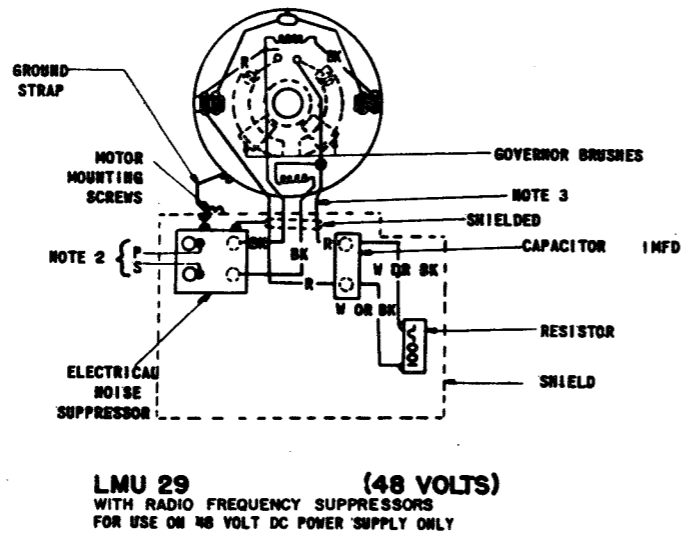
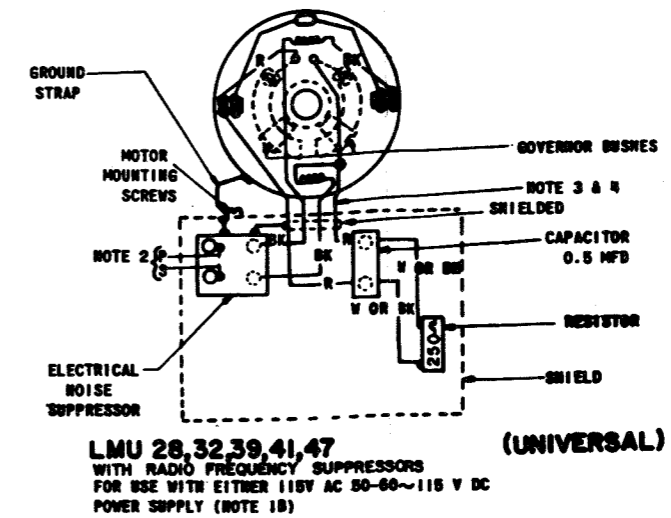
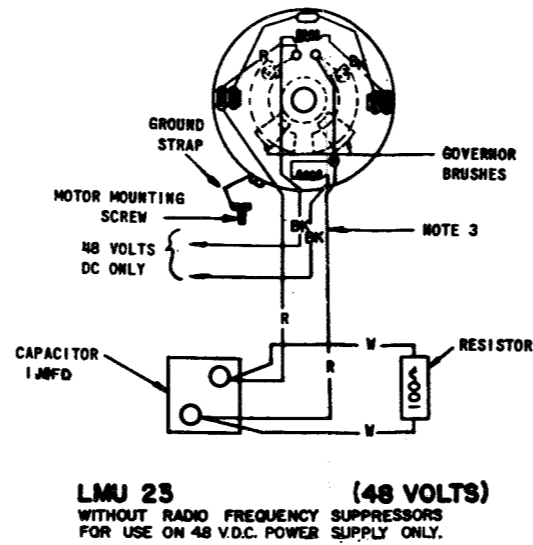
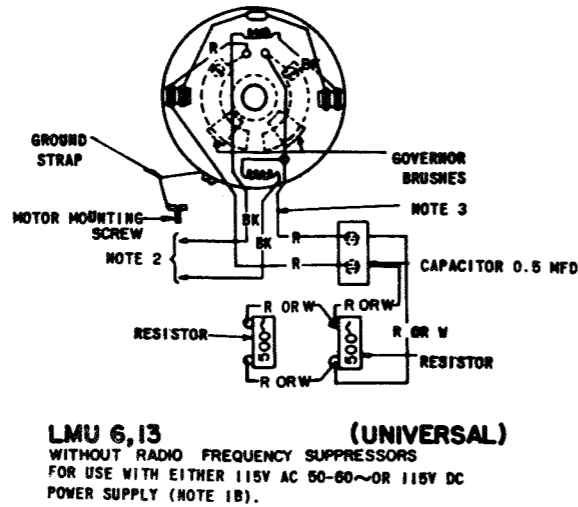
NOTE:  
REVISION INFORMATION MUST  
ALSO BE REFLECTED ON THE  
ISSUE CONTROL RECORD, WHICH  
IS A PART OF THIS DRAWING.

## 2900WD

### REVISIONS

ISSUE	DATE	AUTH. NO.
L	8-18-60	29-12247
M	8-17-60	29-12222
N	8-27-60	29-12261
P	7-8-60	29-12222
Q	9-13-60	29-12222
R	12-13-60	29-12222
S	8-23-61	70222
T	8-9-61	70222
U	10-18-61	71271
V	11-30-61	71222
W	8-25-62	72222
X	8-29-62	72222
Y	11-22-62	72218
Z	4-18-63	72222
AA	8-18-63	72222
AB	8-18-63	72222
AC	8-22-63	72122
AD	8-22-63	72222
AE	1-12-64	72222
AF	1-29-64	72722-1
AG	4-13-64	72722-2
AH	8-22-64	82222
AI	11-5-64	82322
AJ	3-5-65	82422
AK	8-18-65	82422-1
AL	8-22-65	82422-2
AM	11-9-65	82422-3
AN	11-10-65	82422
AO	2-22-66	20322
AP	4-5-66	20322

- NO. NOTES**
- A. AC SERIES MOTOR UNITS OPERATE ON UN-REGULATED AC POWER.  
B. ASSOCIATED LESU MUST BE EQUIPPED WITH CAPACITOR-RESISTOR ASSEMBLY FOR DC OPERATION OF GOVERNED MOTORS.
  - CONNECT EITHER WIRE TO DESIGNATED TERMINALS OF UNIT TERMINAL BLOCK, PER WIRING DIAGRAM OF ASSOCIATED UNIT.
  - MOTOR LEADS OF SAME COLOR ARE INTER-CHANGEABLE.
  - MOTOR LEADS ARE ENCLOSED IN APPROXIMATELY 10" LONG COPPER SHIELDING & FASTENED TO MOTOR AND CONTROL PARTS COMPARTMENT. (FOR LMU28).
  - LMU4, 10, AND 11 IN MOTOR UNITS (UNIVERSAL SERIES GOVERNED) CONTAIN TWO 500 OHM RESISTORS WIRED IN PARALLEL EQUIVALENT TO 250 OHMS.  
LMU4 MOTOR UNIT SUPERSEDED BY LMU41 MOTOR UNIT.  
LMU10 MOTOR UNIT SUPERSEDED BY LMU17 MOTOR UNIT.  
LMU11 MOTOR UNIT SUPERSEDED BY LMU39 MOTOR UNIT.
  - WIRE COLOR CODE:  
BK - BLACK      R - RED  
BL - BLUE      O - ORANGE  
BR - BROWN    Y - YELLOW  
P - PURPLE     S - SLATE  
W - WHITE      G - GREEN



SEE FIRST SHEET FOR  
REVISIONS LIST OF SHEETS  
INDICATING THIS V.D.

SHEET 2

ACTUAL  
WIRING DIAGRAM  
FOR  
MODEL 28 & 36  
MOTOR UNITS

### APPROVALS

D AND R	E OF M
---------	--------

E-NUMBER

PROD. NO. 2900WD

DATE 1-28-66

P.D. FILE NO. 1-30.66.156A

DRAWN E.R.

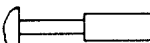
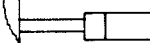


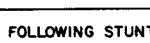
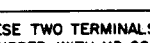
CHKD. RST

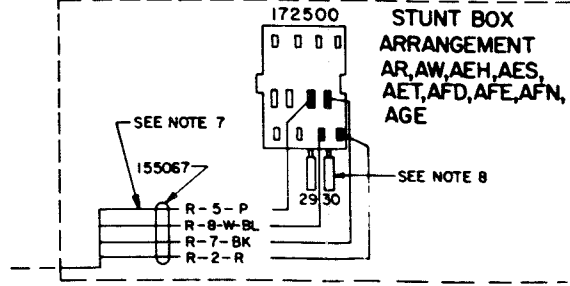
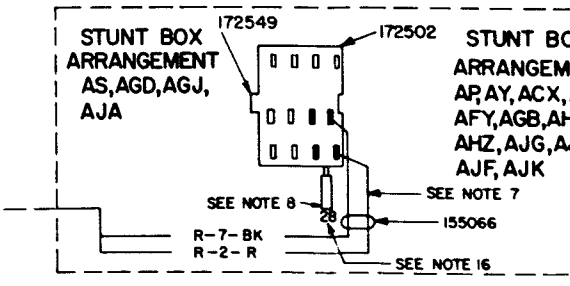
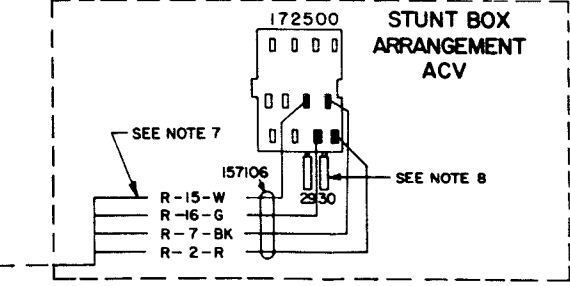
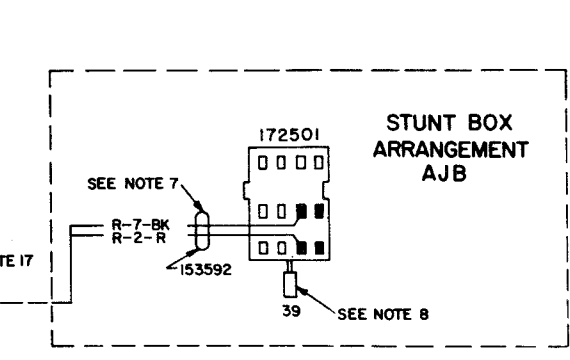
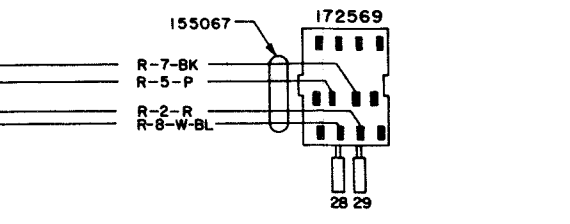
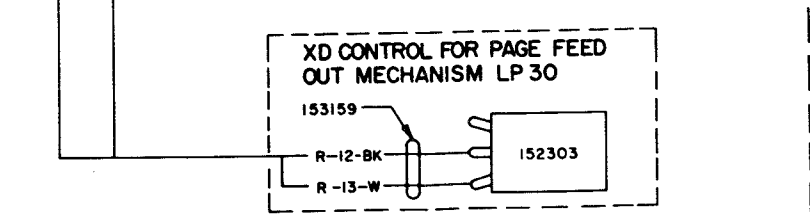
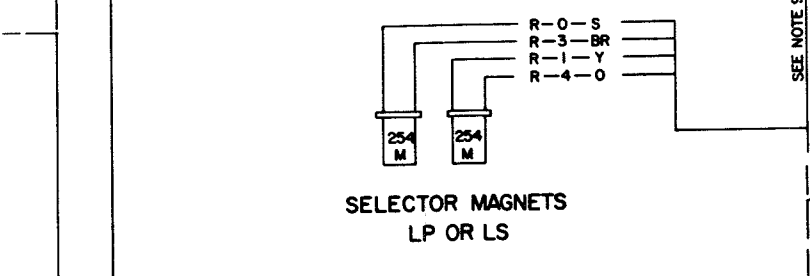
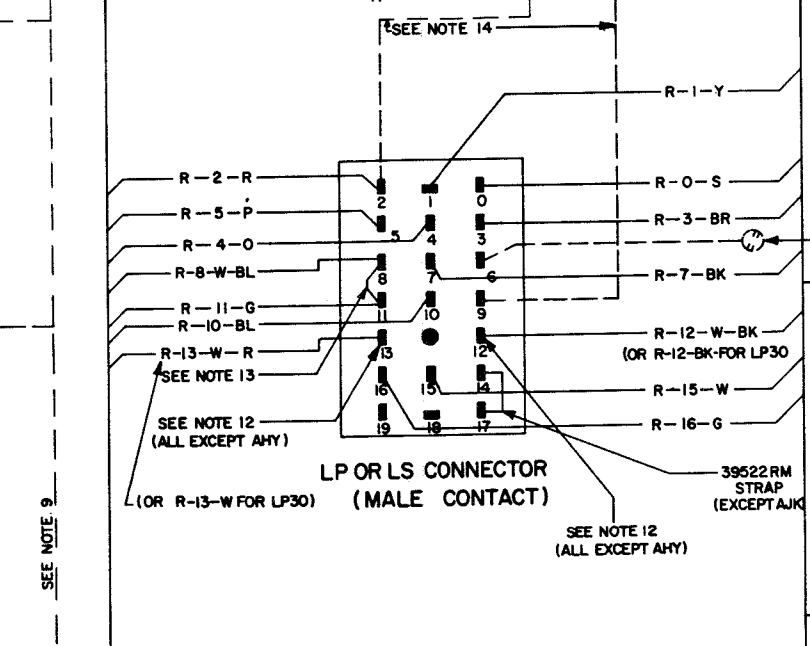
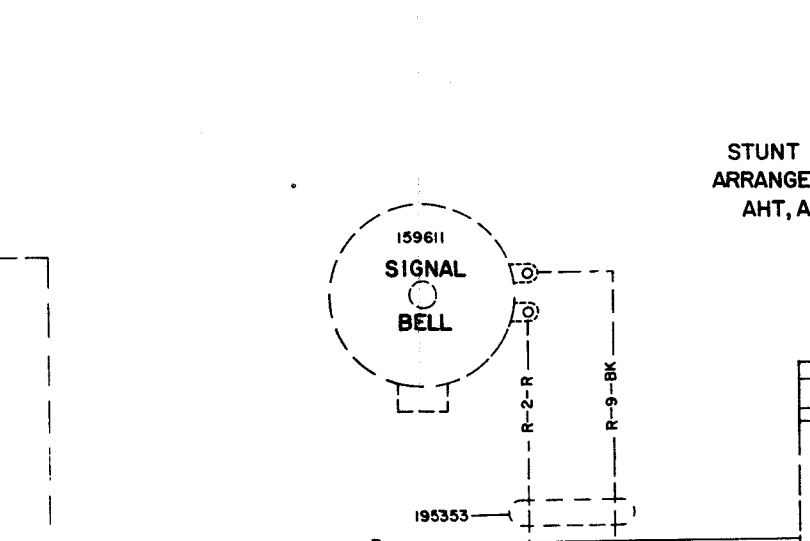
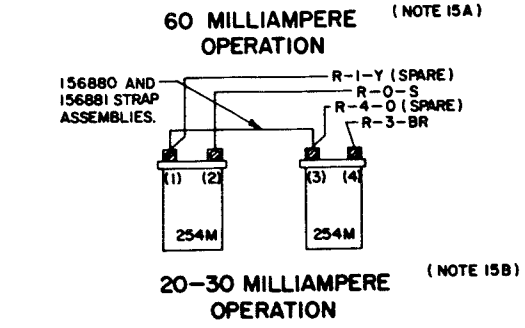
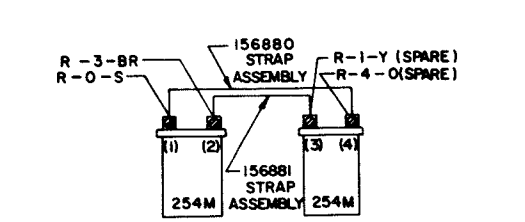
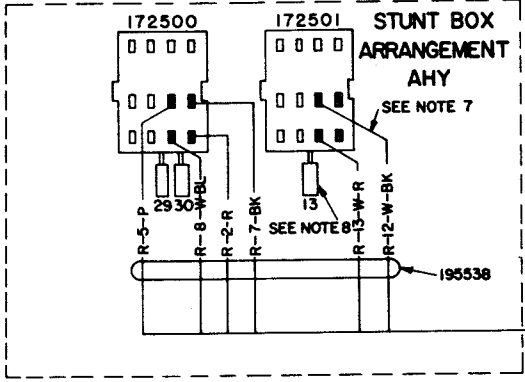
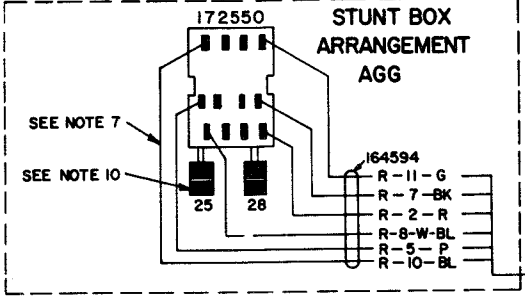
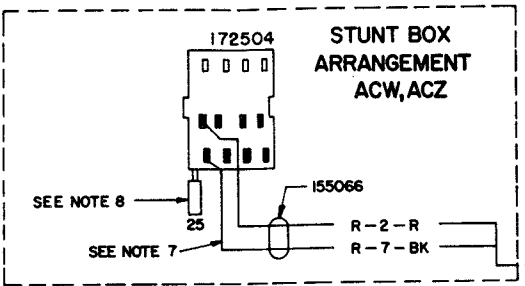
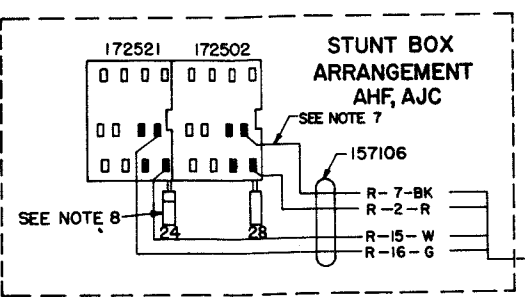
ENGD. S.M.S.

APPD.

**TELETYPE  
CORPORATION**

41 **2900 WD**

- NOTES**
1. WIRING CHANNEL DESIGNATED BY "R" DOES NOT REPRESENT CABLES, BUT ASSISTS IN TRACING CONNECTIONS.
  2. COLOR CODE:  
BK-BLACK BL-BLUE  
W-WHITE R-RED  
Y-YELLOW BR-BROWN  
P-PURPLE O-ORANGE  
S-SLATE G-GREEN
  3. COLOR LEGEND:  
CHANNEL IDENTIFICATION  
CHANNEL WIRE NUMBER  
WIRE COLOR CODE
  - 4.
  5. CONNECTOR VIEWED FROM SOLDERED TERMINAL ENDS.
  - 6.
  7. THESE LEADS FURNISHED WITH FUNCTION BOX.
  8.  NORMALLY OPEN CONTACTS  
 NORMALLY CLOSED CONTACTS
  9. A COMPLETE LP UNIT USES ONLY ONE STUNT BOX. MAKE APPROXIMATE (---) CONNECTIONS TO COMPLETE CIRCUIT.
  10.  TRANSFER CONTACTS  
 REAR CONTACTS  
 NORMALLY OPEN REAR CONTACTS  
 NORMALLY CLOSED REAR CONTACTS
  11. THE FOLLOWING STUNT BOXES ARE WITHOUT SWITCH ASSEMBLIES: AX, ADL.
  12. THESE TWO TERMINALS ARE USED WHEN LP IS EQUIPPED WITH XD CONT. PAGE FEED OUT OR XD CONT. HORIZ. TAB. IF BOTH FEATURES ARE USED, THEY ARE WIRED IN SERIES TO THESE TERMINALS.
  13. USE 39522RM STRAP FOR LP 95,96,97,102,122
  14. THE 159611 SIGNAL BELL AND THE 195353 CABLE ASSEMBLY ARE CONTAINED ON THE LP111 ONLY.
  15. A. THE LP111 IS FACTORY WIRED FOR 60MA OPER.  
B. THE LP111 MAY BE CONVERTED FOR 20-30MA. OPERATION BY THE CUSTOMER.
  16. FOR AFY STUNT BOX, CONTACT IS OVER SLOT 30.
  17. 195269 STRAP CONNECTED FROM TERMINAL 6 TO CONNECTOR BRACKET MOUNTING SCREW FOR 179613 AND 179644 R.F. SUPPRESSION MODIFICATION KITS.



STUNT BOX WIRING

**3214 WD**

REVISIONS		
ISSUE	DATE	AUTH. NO.
41	12-23-63	79185-1
42	1-9-65	85722
43	2-3-65	85959
44	8-25-66	90726

**ACTUAL**  
WIRING DIAGRAM FOR MODEL 28, TYPING UNITS  
LP 14, 15, 16, 17, 20, 21, 23, 26, 27, 28, 30, 31, 34, 38, 39, 43, 44, 55, 56, 60, 65, 67, 68, 70, 73, 84, 96, 101, 108, 111, 113, 122, 72, 105, 109, 115

**STUNT BOX**  
AP, AR, AS, AW, AX, AY, ACV, ACW, ACX, ACY, ACZ, ADL, AEH, AES, AET, AFD, AFE, AFN, AGB, AGD, AGE, AFY, AGJ, AGG, AHF, AHH, AHT, AHV, AHY, AHZ, AJG, AJA, AJC, AJD, AJF, AJJ, AJB, AJK

**SEQUENTIAL SELECTOR UNIT**  
LS 2, 4

**APPROVALS**

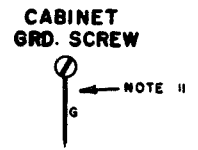
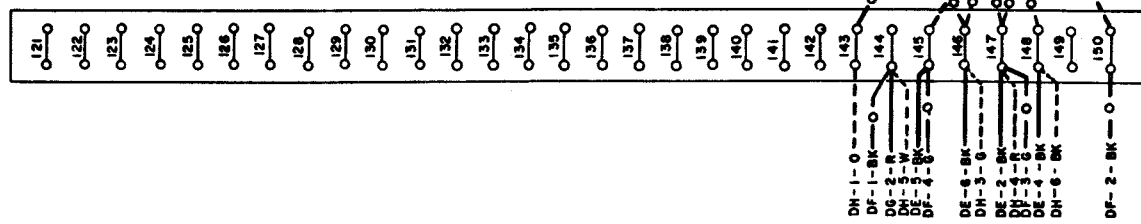
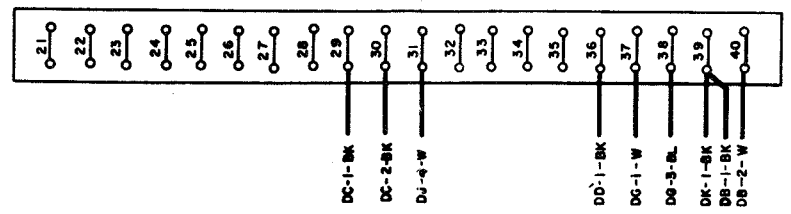
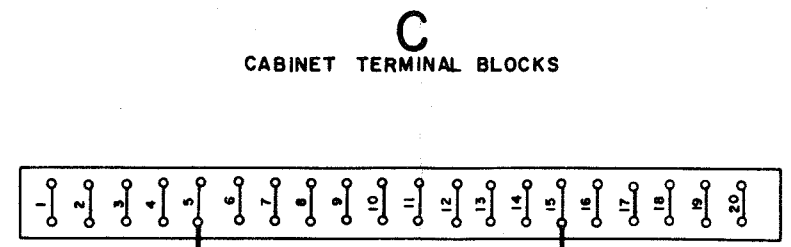
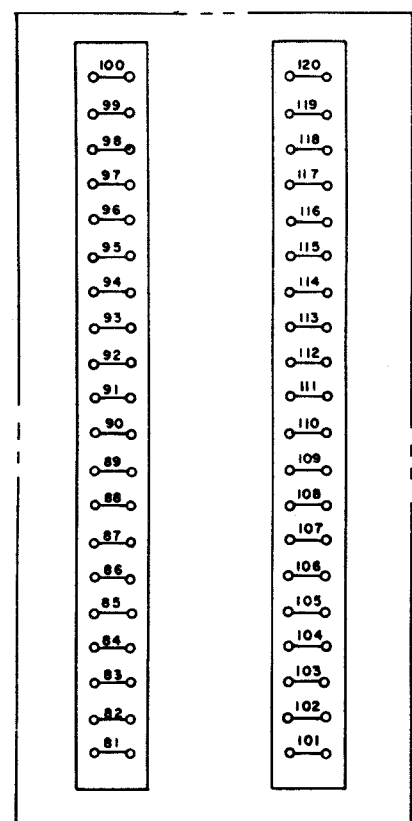
D AND R	E OF M
---------	--------

**E-NUMBER**  
PROD. NO. 3214 WD  
DATE 12-1-56  
P.D. FILE NO. 45-3065AA  
DRAWN JER CHKD. GG  
ENGD. VC APPD. OAL

**TELETYPE CORPORATION**  
**3214 WD**

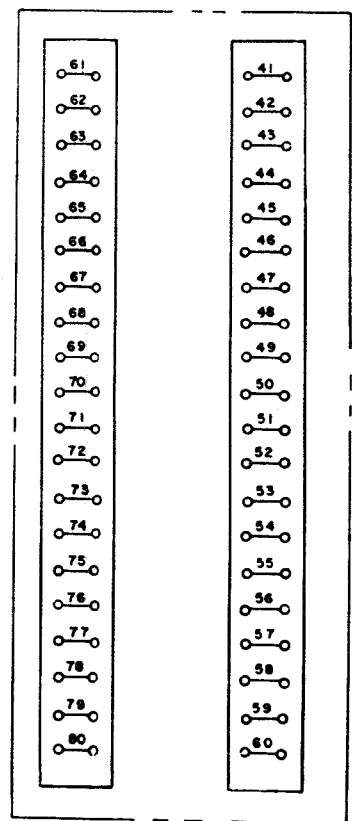
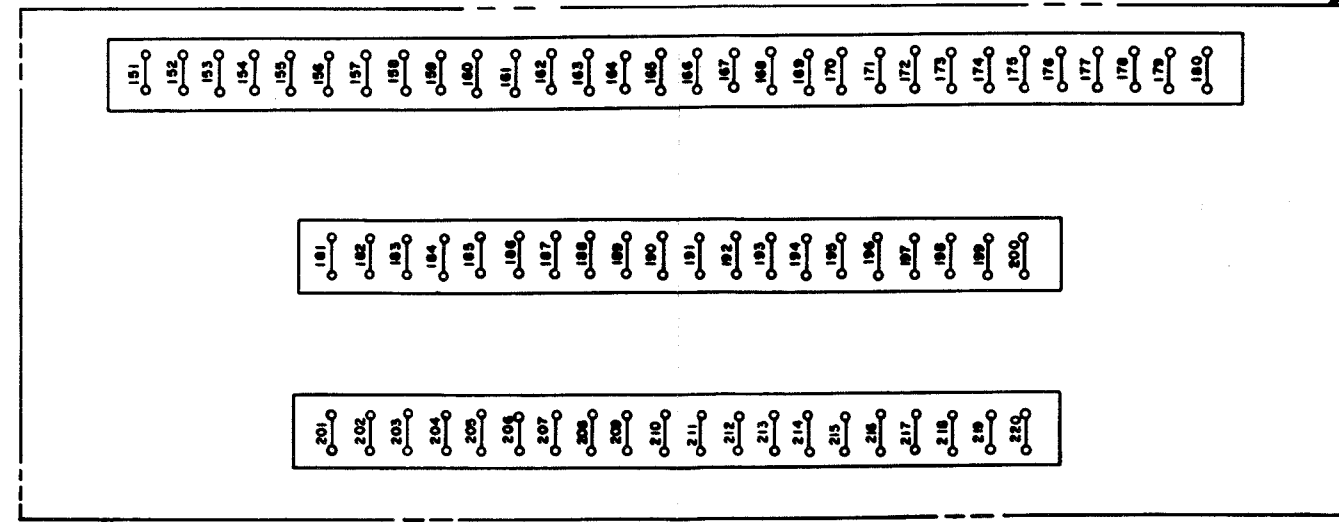
- NO NOTES
1. WIRING LEGEND:
  2. COLOR CODE:  

BK-BLACK	BR-BROWN
BL-BLUE	R-RED
P-PURPLE	G-GREEN
S-SLATE	Y-YELLOW
W-WHITE	O-ORANGE
  3. \* DENOTES SPLICED AND TAPED WIRES.
  4. USE POWER AND SIGNAL LINE INTERFERENCE SUPPRESSORS FOR INSTALLATIONS REQUIRING MINIMUM R.F. INTERFERENCE. FOR OTHER INSTALLATIONS, OMIT SUPPRESSORS AND CONNECT POSITIVE AND NEGATIVE LEADS OF THE INCOMING SIGNAL LINE TO CABINET TERMINALS C5 & C15 RESPECTIVELY. CONNECT THE INCOMING GROUNDED AND UNGROUNDED POWER LEADS TO CABINET TERMINALS C40 & C39 RESPECTIVELY.
  5. USE PROPER COPYLIGHT SYSTEM FOR THE TYPE OF CURRENT USED.
  6. CABINET RECEPTACLES REQUIRED WHEN TAPE WINDER OR TAPE STUFFER IS USED.
  7. OPTIONAL FEATURES, REFER TO APPLICABLE WD.
  8. CABINET POWER MUST BE 115V, 50-60~AC WHEN THIS ACCESSORY IS USED.
  9. ----- FOR DC APPLICATION  
 - - - - - FOR AC APPLICATION  
 \_\_\_\_\_ NORMAL WIRING
  10. ASSOCIATED CABLES:  
 158267 TRANSFORMER AND CABLE  
 159329 TAPE WINDER CABLE  
 154440 CABINET LIGHTS, SWITCH CABLE  
 159330 RESISTOR PACK CABLE
  11. GROUND WIRE MAY BE ATTACHED TO THE RIGHT 154412 TERMINAL BLOCK ASSEMBLY MOUNTING STUD BY MEANS OF THE TERMINAL BLOCK COVER MOUNTING SCREW AND LOCK WASHER.



C  
CABINET TERMINAL BLOCKS

C  
CABINET TERMINAL BLOCKS



3264 WD

REVISIONS		
ISSUE	DATE	AUTH. NO.
A	7-9-57	TP-2027
B	9-16-57	TP-2399
C	2-24-58	28-8517
B 5	5-27-58	28-9036
E 6	9-17-58	28-9902
F 7	10-7-58	28-9996
8	11-28-58	28-10256
9	4-9-59	28-10928
10	5-22-59	28-11108
11	8-4-59	28-11508
12	9-22-61	71027
13	2-14-62	72426
14	3-23-62	72707
15	4-11-62	73068
16	12-10-62	75290
17	2-19-63	75725
18	3-14-63	75290-1
19	10-3-63	77579
20	10-17-63	78376

SHEET 1 OF 2

ACTUAL WIRING DIAGRAM FOR MODEL 28 AUTOMATIC SEND-RECEIVE CABINETS LAAC200, 201, 202, 205, 209, 210, 213, 214, 219, 235, 236 AC-DC APPLICATION 225, 237

APPROVALS	
D AND R	E OF M
-----	-----
E-NUMBER	
PROD. NO. 3264WD	
DATE 4-16-57	
P.D. FILE NO. 24-468AA	
DRAWN R.W.D.	CHKD. R.D.
ENGD. J.M.	APPD. J.A.

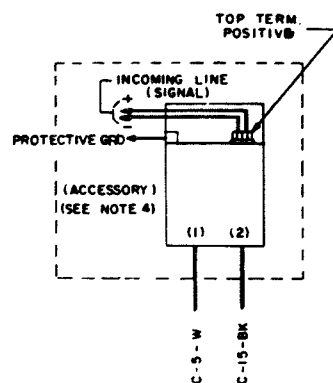
TELETYPE CORPORATION

20 3264 WD

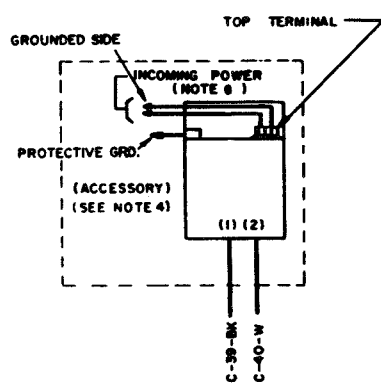
REVISIONS

ISSUE	DATE	AUTH. NO.
A	7-9-57	TP-2027
B	9-16-57	TP-2399
C	2-24-58	28-8617
D	5-27-58	28-9036
E	9-17-58	28-9802
F	10-7-58	28-9895
G	11-20-58	28-10206
H	4-9-59	28-10929
I	5-22-59	28-11100
J	8-4-59	28-11500
K	9-22-61	71027
L	2-18-62	72426
M	3-23-62	72707
N	4-11-62	73088
O	12-10-62	75290
P	2-19-63	75725
Q	3-14-63	76290-1
R	10-3-63	77579
S	10-17-63	78376

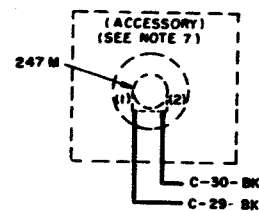
**DA**  
NOISE SUPPRESSOR  
(LINE)



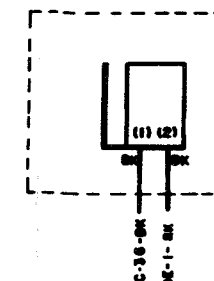
**DB**  
NOISE SUPPRESSOR  
(POWER)



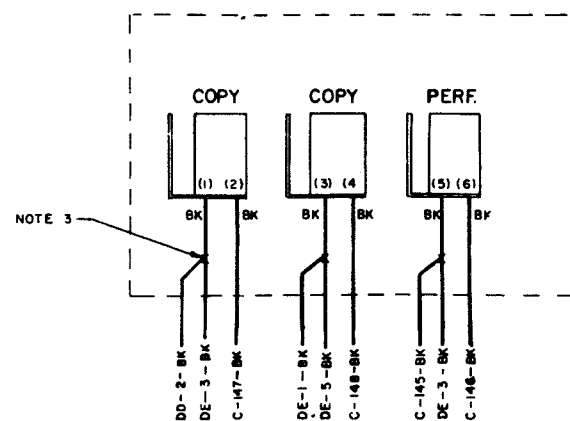
**DC**  
SIGNAL BELL



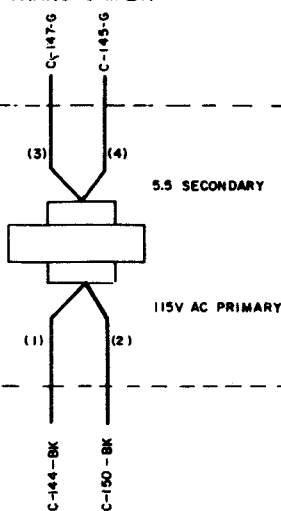
**DD**  
MARGIN INDICATOR  
LAMP SOCKET



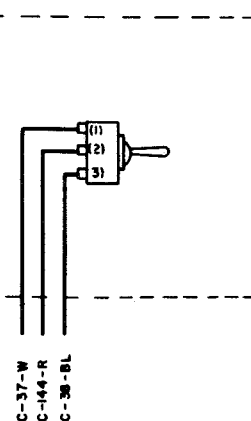
**DE**  
5.5V, 50-60 ~ AC COPYLIGHT SYSTEM



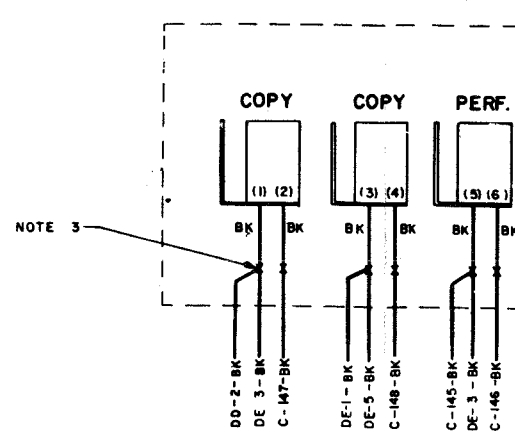
**DF**  
TRANSFORMER



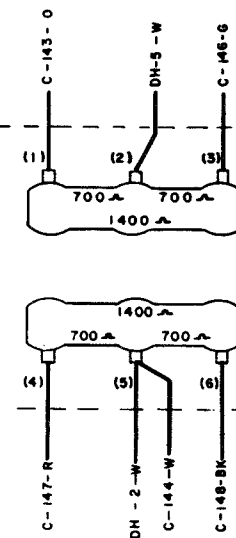
**DG**  
COPYLIGHT SWITCH



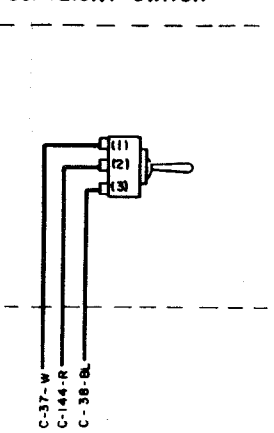
**DE**  
60V DC COPYLIGHT SYSTEM



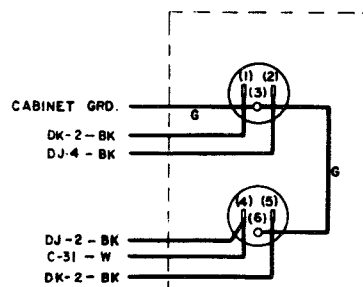
**DH**  
RESISTOR PACKAGE



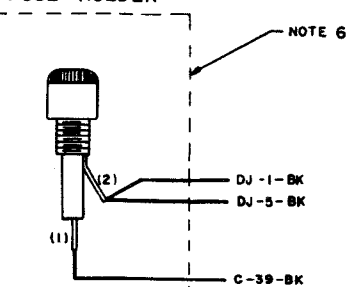
**DG**  
COPYLIGHT SWITCH



**DJ**  
CABINET RECEPTACLE



**DK**  
FUSE HOLDER



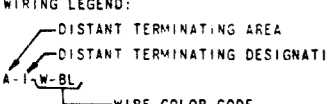
ACTUAL  
WIRING DIAGRAM FOR  
MODEL 28 AUTOMATIC  
SEND-RECEIVE  
CABINETS  
LAAC200, 201, 202,  
205, 209, 210, 213,  
214, 219, 235, 236  
AC-DC APPLICATION  
225, 237

APPROVALS

D AND R	E OF M
-----	-----

E-NUMBER	
PROD. NO.	3264WD
DATE	4-16-57
P.D. FILE NO.	24-A65AA
DRAWN R.W.D.	CHKD. R.C.
ENGD. J.M.	APPD. J.A.

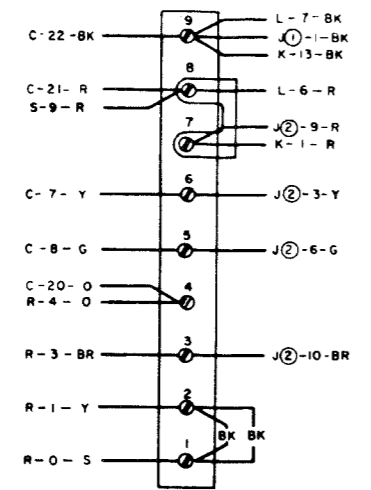
TELETYPE  
CORPORATION

- NO NOTES
- WIRING LEGEND:  

  - COLOR CODE:  

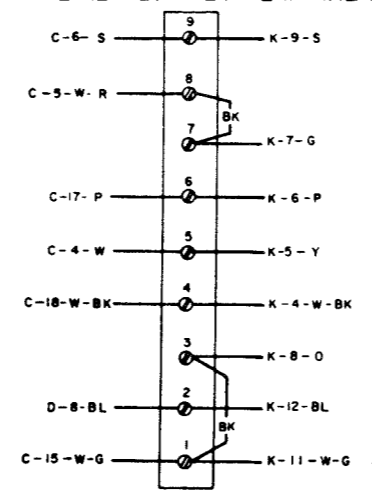
BK - BLACK	G - GREEN
BR - BROWN	BL - BLUE
R - RED	P - PURPLE
O - ORANGE	W - WHITE
Y - YELLOW	S - SLATE
  - UNIT WIRED FOR 115 VOLTS, 50 TO 60 CYCLE A C POWER INPUT ONLY.
  - CONNECTORS VIEWED FROM SOLDER TERMINAL ENDS.
  - CIRCUITS SHOWN FOR .060 AMP. NEUTRAL SIGNAL LINE OPERATION. FOR .020 AMP. OPERATION, REMOVE AND ADD CONNECTIONS AS TABULATED BELOW:  

SIGNAL LINE CURRENT	CONNECTIONS REMOVED	CONNECTIONS ADDED
.020 AMP	K1-K2, J ① - J ②	J ③ - J ④
  - RECTIFIER SHOWN CONTROLLED BY POWER SWITCH.  
 A. FOR CONTINUOUS OPERATION, REMOVE LEAD L-2-BK FROM TERMINAL E-2 AND CONNECT TO TERMINAL E-1.  
 B. FOR OPERATION FROM MOTOR CONTROL, REMOVE LEAD L-2-BK FROM TERMINAL E-2 AND CONNECT TO TERMINAL E-3.
  - LINE SHUNT RELAY SHOWN CONTROLLED BY POWER SWITCH AND SHUNTING LINE RELAY COIL AND KEYBOARD AND TRANSMITTER DISTRIBUTOR SIGNAL GENERATOR.  
 A. IF KEYBOARD SHUNTING IS NOT DESIRED, OR WHEN SIGNAL LINE BREAK SWITCH IS PRESENT, REMOVE THE BLACK STRAP CONNECTED BETWEEN TERMINALS C-10 AND C-13 AND CONNECT TERMINALS C-9 AND C-13.  
 B. FOR DIRECT CONTROL OF THE LINE SHUNT RELAY FROM THE POWER SWITCH, REMOVE STRAP BETWEEN TERMINALS C-34 AND C-37 AND CONNECT TERMINALS C-34 AND C-35. TERMINAL C-13 MAY THEN BE CONNECTED TO EITHER TERMINALS C-9, C-10, C-11 OR C-15 TO OBTAIN THE DESIRED SHUNTING OF THE SIGNAL LINE CIRCUIT.
  - THE SPARE LEADS FROM THE KEYBOARD AND TRANSMITTER DISTRIBUTOR UNITS CONNECTORS ARE TERMINATED IN THE RIGHT END OF THE ELECTRICAL SERVICE UNIT. THE SPARE LEADS FROM THE TYPING UNIT CONNECTORS ARE TERMINATED IN THE LEFT END OF THE ELECTRICAL SERVICE UNIT.
  - ADD STRAP BETWEEN C-10 AND C-11, IF SIGNAL LINE BREAK SWITCH IS NOT USED.
  - SPARE LEADS FROM F-18 AND U-18 ARE RESERVED FOR POLAR OPERATION OF KEYBOARD AND TRANSMITTER DISTRIBUTOR SIGNAL GENERATORS.
  - TERMINALS C-143 TO C-148 ARE RESERVED FOR CABINET LAMP OPERATION.
  - TERMINALS C1-C3 RESERVED FOR CUSTOMER USE.
  - TERMINALS C-121 - C-122 RESERVED FOR PERFORATOR LOW-TAPE SWITCH.
  - CONTACTS SHOWN IN UNOPERATED OR DE-ENERGIZED POSITION.
  - WHEN LBXD IS USED IN PLACE OF LXD, MAKE THE FOLLOWING CHANGES:  
 OMIT CONNECTIONS ADD CONNECTIONS  
 C-142 TO C-150  
 C-131 TO C-132
  - WHEN LXD5 IS USED, REMOVE THE STRAP BETWEEN TERMINALS C-135 - C-136. ADD TWO STRAPS, ONE BETWEEN TERMINALS C-23 - C-135 AND ONE BETWEEN C-24 - C-136
  - WHEN THE LXD 11 IS USED DO NOT INSTALL STRAPS BETWEEN TERMINALS C141 AND C142 OR C131 AND C132. THE INTERNAL CLUTCH MAGNET INPUT SHOULD BE CONNECTED TO TERMINALS C132 & C141. RESISTANCE PER COIL 210 OHMS.

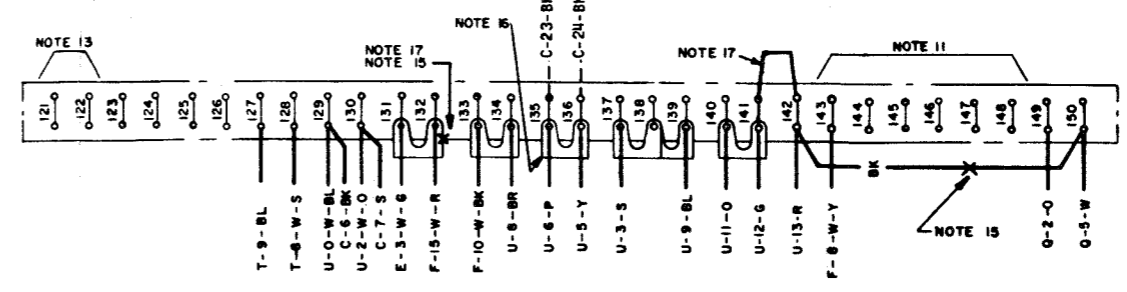
**A**  
SELECTOR MAGNET TERMINAL BLOCK



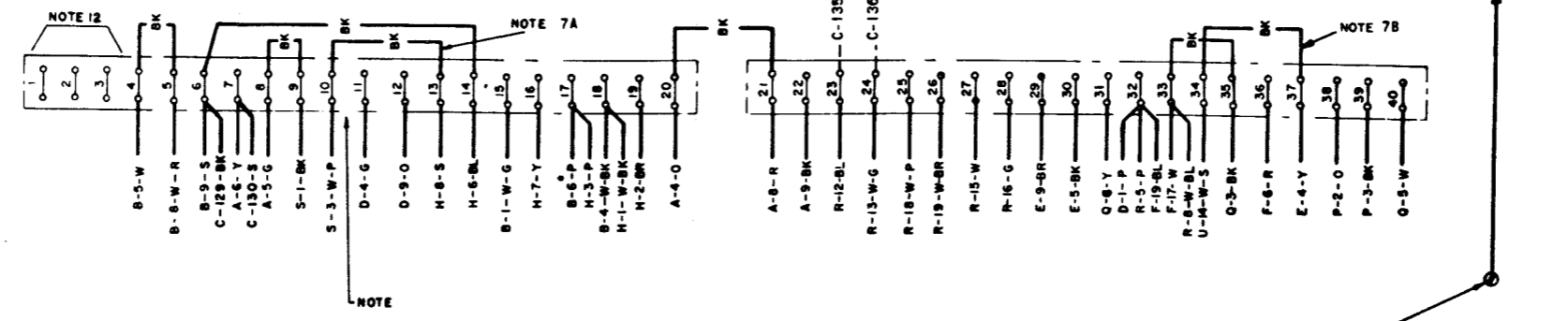
**B**  
LINE TEST KEY TERMINAL BLOCK



**C**  
CABINET TERMINAL BLOCK



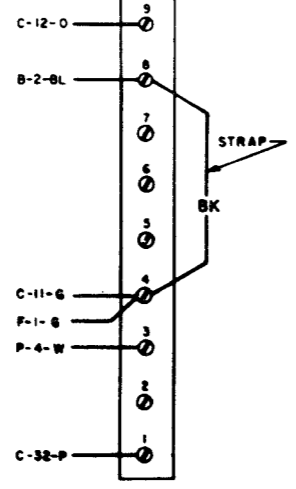
**C**  
CABINET TERMINAL BLOCK



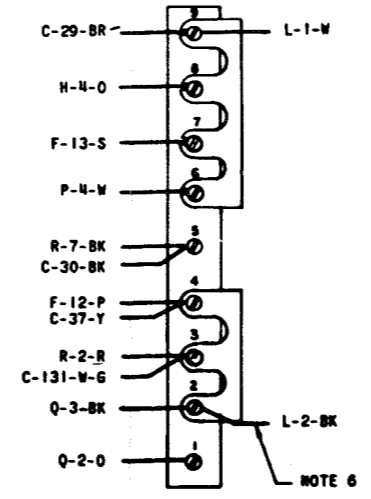
TO CABINET GROUND SCREW

ELECTRICAL SERVICE UNIT GROUND SCREW

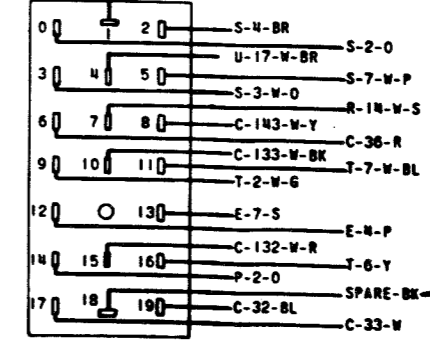
**D**  
MOTOR CONTROL TERMINAL BLOCK



**E**  
POWER TERMINAL BLOCK



**F**  
KEYBOARD CONNECTOR FEMALE



SEE ISSUE CONTROL RECORD FOR COMPLETE LIST OF SHEETS COMPRISING THIS WD

3292 WD

REVISIONS

ISSUE	DATE	AUTH. NO.
14	3-28-62	69762-1
15	2-11-64	79910
16	8-28-64	82637
17	10-26-64	83790
18	2-26-65	86062
19	4-7-66	90222

SHEET 1

ACTUAL WIRING DIAGRAM FOR MODEL 28 ELECTRICAL SERVICE UNIT ASR - GP - OPT. IAC LESU13

APPROVALS

D. AND R	E. OF W
----------	---------

E-NUMBER  
 PROD. NO. 3292WD  
 DATE 10-10-56  
 P.D. FILE NO. 27-A.65.AA  
 DRAWN E.K.S. CHKD. R.D.  
 ENBD. H.S.P. APPD.  
 TELETYPE CORPORATION  
 3292WD



SEE SHEET 1 FOR NOTES.

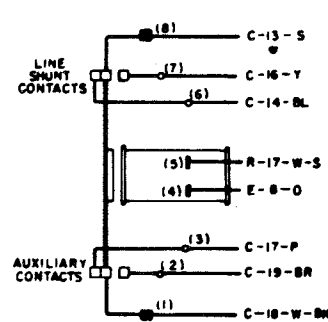
NOTE:  
REVISION INFORMATION MUST  
ALSO BE REFLECTED ON THE  
ISSUE CONTROL RECORD WHICH  
IS A PART OF THIS DRAWING.

3292WD

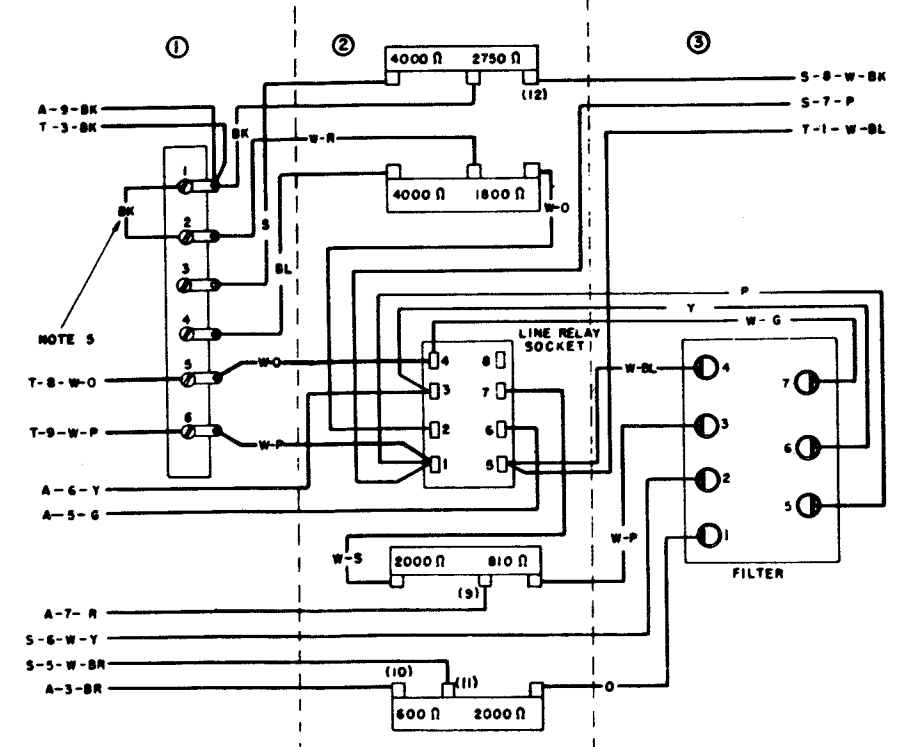
REVISIONS

ISSUE	DATE	AUTH. NO.
14	3-28-62	69762-1
15	2-11-64	79910
16	8-28-64	82637
17	10-26-64	83790
18	2-26-65	86062
19	4-7-66	90222

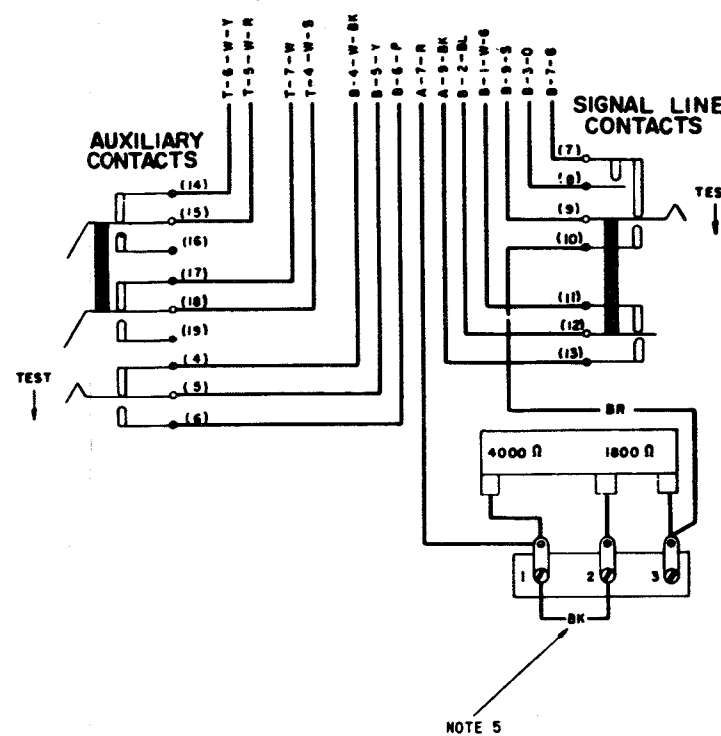
**H**  
LINE SHUNT RELAY



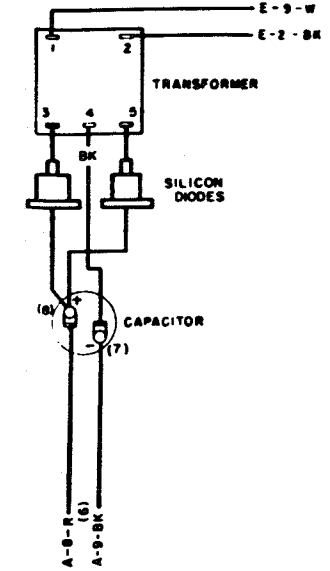
**J**  
LINE RELAY MOUNTING ASSEMBLY



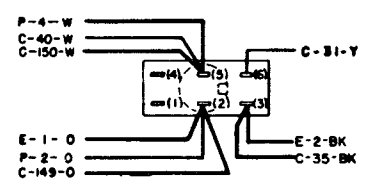
**K**  
LINE TEST KEY ASSEMBLY



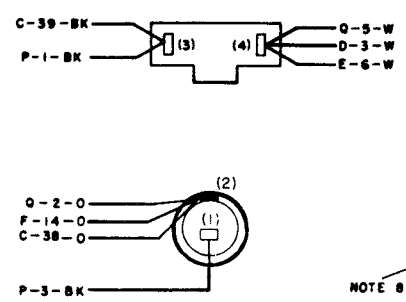
**L**  
RECTIFIER ASSEMBLY



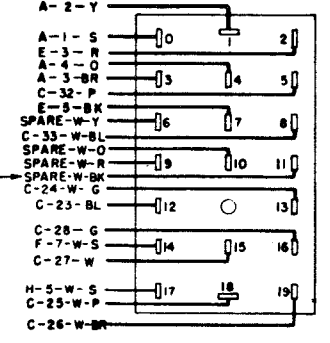
**Q**  
POWER SWITCH



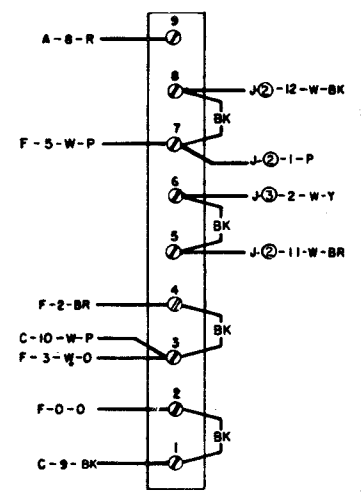
**P**  
CONVENIENCE RECEPTACLE



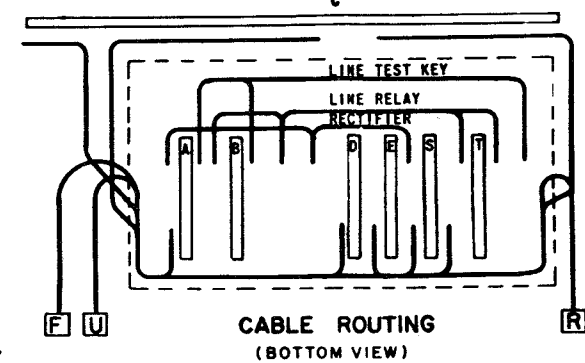
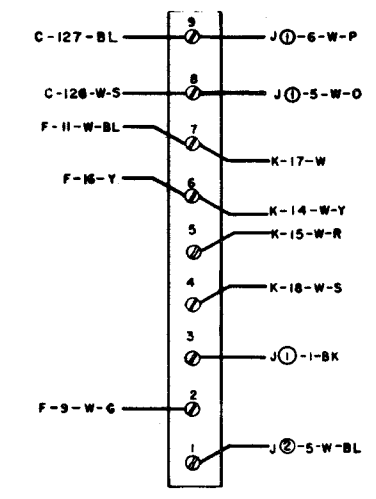
**R**  
TYPING UNIT CONNECTOR FEMALE



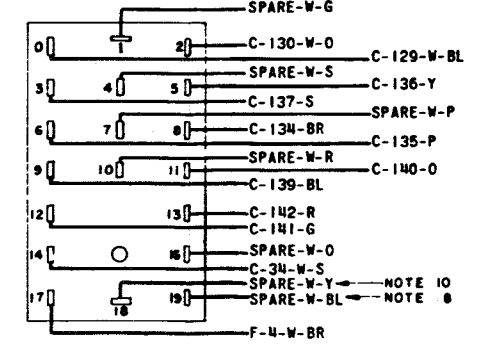
**S**  
SLOW RELEASE RELAY TERMINAL BLOCK



**T**  
SLOW RELEASE TEST KEY TERMINAL BLOCK



**U**  
TRANSMITTER DISTRIBUTOR CONNECTOR FEMALE



SEE ISSUE CONTROL RECORD FOR COMPLETE LIST OF SHEETS COMPRISING THIS WD SHEET 2

ACTUAL WIRING DIAGRAM FOR MODEL 28 ELECTRICAL SERVICE UNIT ASR - GP - OPT. IAC LESU13

APPROVALS

D AND R	E OF M
-----	-----

E-NUMBER

PROD. NO. 3292WD

DATE 10-10-56

P.D. FILE NO. 27-A.65.AA

DRAWN E.K.S. CHKD. R.D.

ENGD. H.S.P. APPD.

TELETYPE CORPORATION

3292 WD

3294WD

REVISIONS

ISSUE	DATE	AUTH. NO.
Q	3-30-60	28-12924
R	4-21-60	28-12936
S18	10-12-60	28-14077
T19	4-15-61	68761-33
U20	4-26-61	69589
21	3-28-62	69768-33
22	11-26-63	78875
23	2-11-64	79910
24	8-28-64	82637

1. FOR ACTUAL WIRING DIAGRAMS OF INDIVIDUAL UNITS SEE:

WD NO.	UNITS DIRECTLY OPERABLE WITH LESU
3264WD	CABINETS-LAAC209,210
3292WD	ELECTRICAL SERVICE UNIT LESU13
3302WD	KEYBOARDS-LAK4
2900WD	MOTOR UNITS-LMU12 OR 14.
2864WD	PAGE TYPING UNITS-LP
3300WD	TRANSMITTER DISTRIBUTOR-LXD3
3288WD	TRANSMITTER DISTRIBUTOR-LAXD 3 & LCXD1
3251WD	TRANSMITTER DISTRIBUTOR-LBXDS
3452WD	TRANSMITTER DISTRIBUTOR BASE-LCXB7

2. LEGEND:

- A SELECTOR MAGNET TERMINAL BLOCK (IN LESU)
- B LINE TEST KEY TERMINAL BLOCK (IN LESU)
- C CABINET TERMINAL BLOCK
- D MOTOR CONTROL TERMINAL BLOCK (IN LESU)
- E POWER TERMINAL BLOCK (IN LESU)
- ◀ F KEYBOARD CONNECTOR
- J 1 TERMINAL STRIP (ON LINE RELAY ASSEMBLY IN LESU)
- ◀ J 2 LINE RELAY CONNECTOR (IN LESU)
- J 3 LINE RELAY FILTER (IN LESU)
- K TERMINAL STRIP (ON LINE TEST KEY IN LESU)
- ◀ R TYPING UNIT CONNECTOR
- S SLOW RELEASE RELAY TERMINAL BOARD (IN LESU)
- T TEST SWITCH TERMINAL BOARD (IN LESU)
- ◀ U TRANSMITTER DISTRIBUTOR CONNECTOR
- AG MOTOR TERMINAL BLOCK (ON LAK)
- AH AUXILIARY SWITCH TERMINAL BLOCK (ON LAK)
- ◀ Z TRANSMITTER DISTRIBUTOR CONN (LBXD).

3. DOT DASH(---) LINES INDICATE FILTERING, SHIELDING AND SUPPRESSION NETWORKS.

4. ALL APPARATUS IS SHOWN IN UNOPERATED OR DE-ENERGIZED POSITION.

5. A. RESISTANCE IN OHMS (Ω)  
B. INDUCTANCE VALUES IN MICROMHENRIES(MH)  
C. CAPACITANCE VALUES IN MICROFARADS(MF)

6. CIRCUITS SHOWN FOR .060 AMP. NEUTRAL SIGNAL LINE OPERATION, FOR .020 AMP. LINE CURRENT, ADD DASHED (---) CONNECTIONS AND OMIT CONNECTIONS MARKED (✱) IN LINE TEST KEY, AND LINE RELAY CIRCUITS.

7. USE POWER & SIGNAL LINE SUPPRESSOR AND SYNC. OR GOV.-FILT. MOTOR FOR INSTALLATIONS REQUIRING MINIMUM R.F. INTERFERENCE. FOR OTHER INSTALLATIONS OMIT SUPPRESSORS AND CONNECT INPUTS AND GOV. MOTOR DIRECTLY TO TERMINALS SHOWN.

8. USE SYNCHRONOUS MOTOR ON REGULATED 60W (± 1%) AC POWER ONLY. GOVERNED MOTORS AND OTHER POWER CIRCUITS OPERABLE ON 50 TO 60W UNREGULATED AC.

9. RECTIFIER SHOWN CONTROLLED BY POWER SWITCH. FOR CONTINUOUS OPERATION, MOVE RECTIFIER LEAD L2 FROM E2 TO E1.

10. A. TO OPERATE MOTOR CONTROL, SET MUST BE EQUIPPED WITH EITHER  
1. TIME DELAY MECH. OR  
2. MOTOR STOP CONTACTS

B. IF TAPE POSITION IS TO BE USED IN THE ASR SET THE TIME DELAY MECHANISM MUST BE EITHER ELECTRICALLY OR MECHANICALLY DISABLED.

11. A. LINE SHUNT RELAY SHOWN CONTROLLED BY POWER SWITCH AND SHOWN SHUNTING LINE RELAY COIL, TRANS. DIST. SIG. GENERATOR AND KEYBOARD SIG. GEN.

B. IF KEYBOARD SHUNTING IS NOT DESIRED MOVE STRAP FROM C10 TO C9.

C. FOR DIRECT CONTROL OF LINE SHUNT RELAY FROM POWER SWITCH, ADD DASHED (---) CONNECTIONS AND OMIT CONN. MARKED (✱) AT CABINET TERMINALS C34, C35, C37. CUSTOMER MAY THEN SELECT PORTION OF SIG. LINE CKT. TO BE SHUNTED BY CONNECTING TERM. C13 TO EITHER C9, C10, C11, C15.

12. CIRCUIT SHOWS BOTH HORIZONTAL TABULATOR AND FORM START CONTROL USED ON TYPING UNIT. WHEN ONLY ONE CONTROL IS USED, OMIT CONNECTION MARKED (---) AND ADD PROPER DASHED (---) CONNECTION IN TYPING UNIT CIRCUITS.

13. FORM PAPER OUT ALARM CONTACTS MAY BE MOUNTED ON EITHER THE TYPING UNIT OR EXTERNAL TO THE CABINET. IN LATTER EVENT, CONNECTIONS ARE MADE DIRECTLY TO TERMINALS C25 AND C26.

14. WHEN PAPER FEED OUT SWITCH IS NOT USED DISCONNECT MOTOR LEAD FROM AG3 AND CONNECT TO AG1.

15. WHEN SIGNAL LINE BREAK SWITCH IS NOT USED IN KEYBOARD ADD DASHED (---) CONNECTION AT CABINET TERMINAL BLOCK BETWEEN C10 AND C11.

16. IN ALL TRANS. DIST. U14 MUST BE CONNECTED TO U17 EXCEPT FOR LXD4 AND UP. (SEE NOTE 25)

17. IN ALL KEYBOARDS F4 MUST BE CONNECTED TO F7. IN ALL TYPING UNITS R14 MUST BE CONNECTED TO R17.

18. SPARE LEADS FROM U18 AND F18 ARE RESERVED FOR POLAR OPERATION OF SIGNAL GENERATOR.

19. CIRCUIT SHOWN FOR 115V DC POWER INPUT TO TRANS. DIST. CLUTCH MAGNETS. FOR 48V DC POWER INPUT MOVE WIRE CONNECTIONS AS FOLLOWS:

LXD	C81 TO V6	V6	V5
LCXD	C142 TO V3	V3	V2
LBXD	A13 TO V6	V6	V5
	A6 TO V3	V3	V2

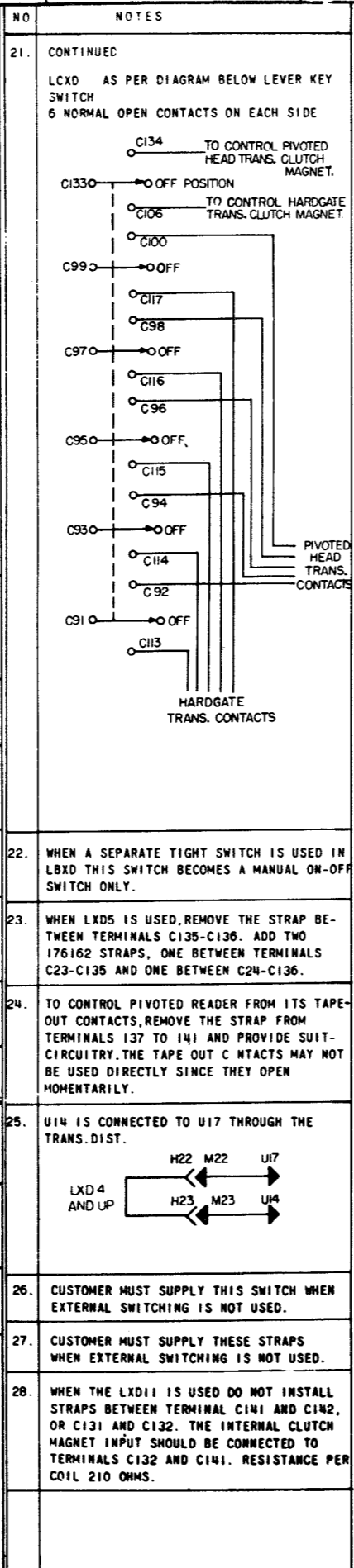
POWER SUPPLY MUST DELIVER 300MA @ 48V DC OR 200MA @ 115V DC.

20. USE APPROPRIATELY LABELED LXD, LAXD, LBXD OR LCXD CIRCUITRY AND MAKE CONN. AS SHOWN.

21. CUSTOMER MUST SUPPLY EXTERNAL SWITCHING AS FOLLOWS:

LXD	- NONE
LAXD	- BETWEEN C133 AND C134 TO CONTROL TRANS. CLUTCH MAGNET
LBXD	- NONE

(CONTINUED)



SHEET 1 OF 6

SCHEMATIC WIRING DIAGRAM FOR MODEL 28 ASR OPT. 1 AC WITH FACILITIES PROVIDED BY ELECT. SERVICE UNIT LESU13 AND ASSOCIATED UNITS

APPROVALS

D AND R	E OF M
---------	--------

E-NUMBER

PROD. NO. 3294WD

DATE 11-17-59

P.D. FILE NO. 27 AF544

DRAWN A C CHKD.

ENGD. APPD.

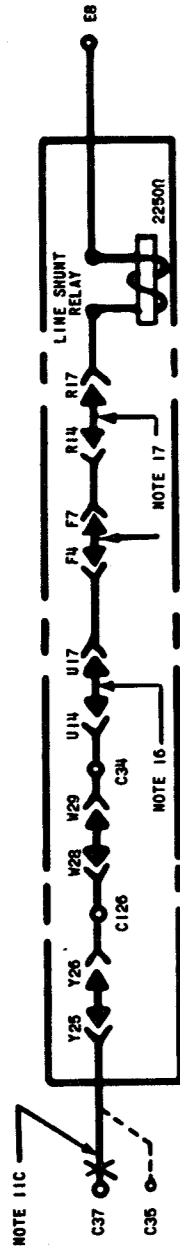
TELETYPE CORPORATION

3294WD

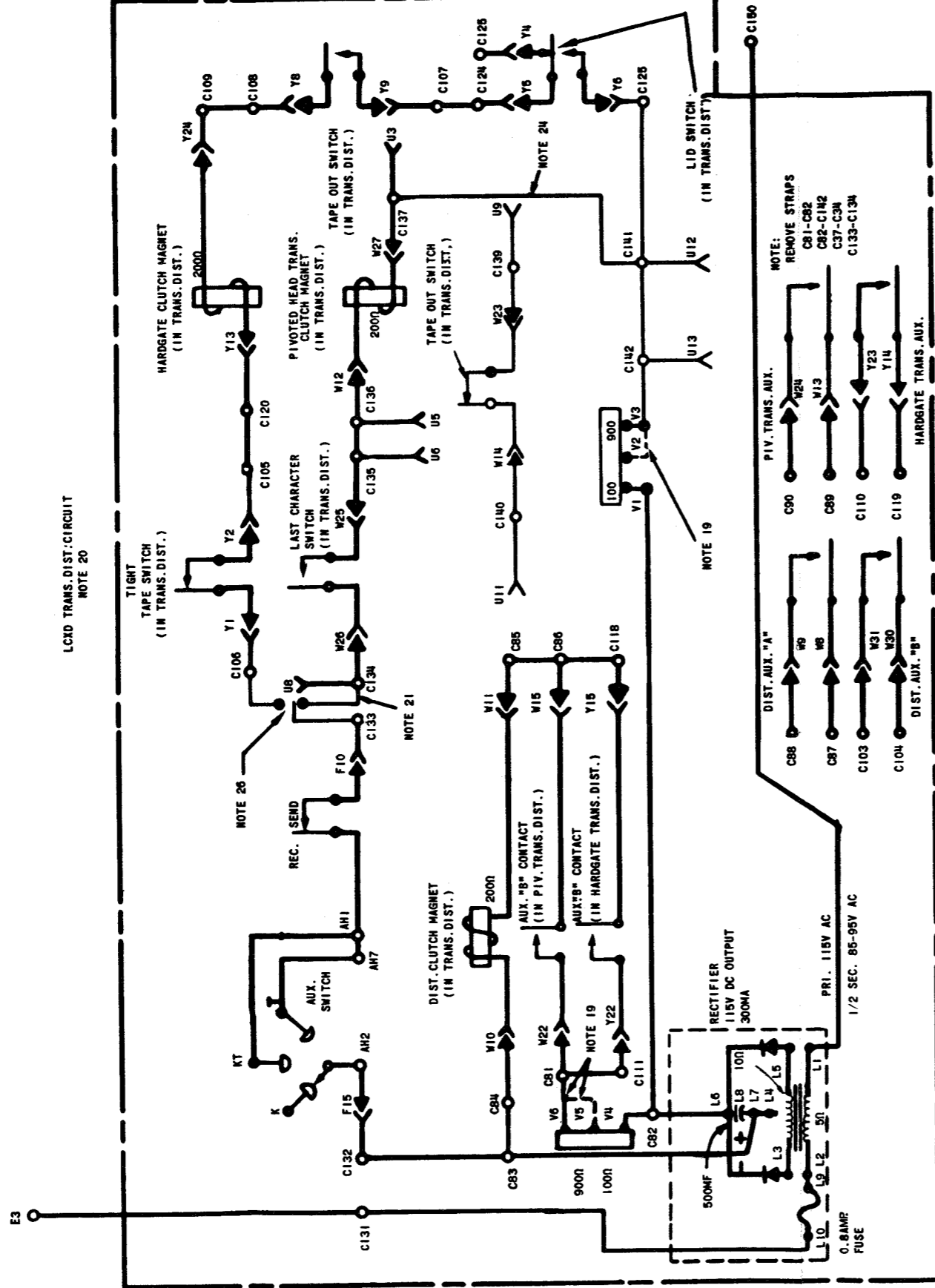
SEE SHEET 1 FOR NOTES

LCXD

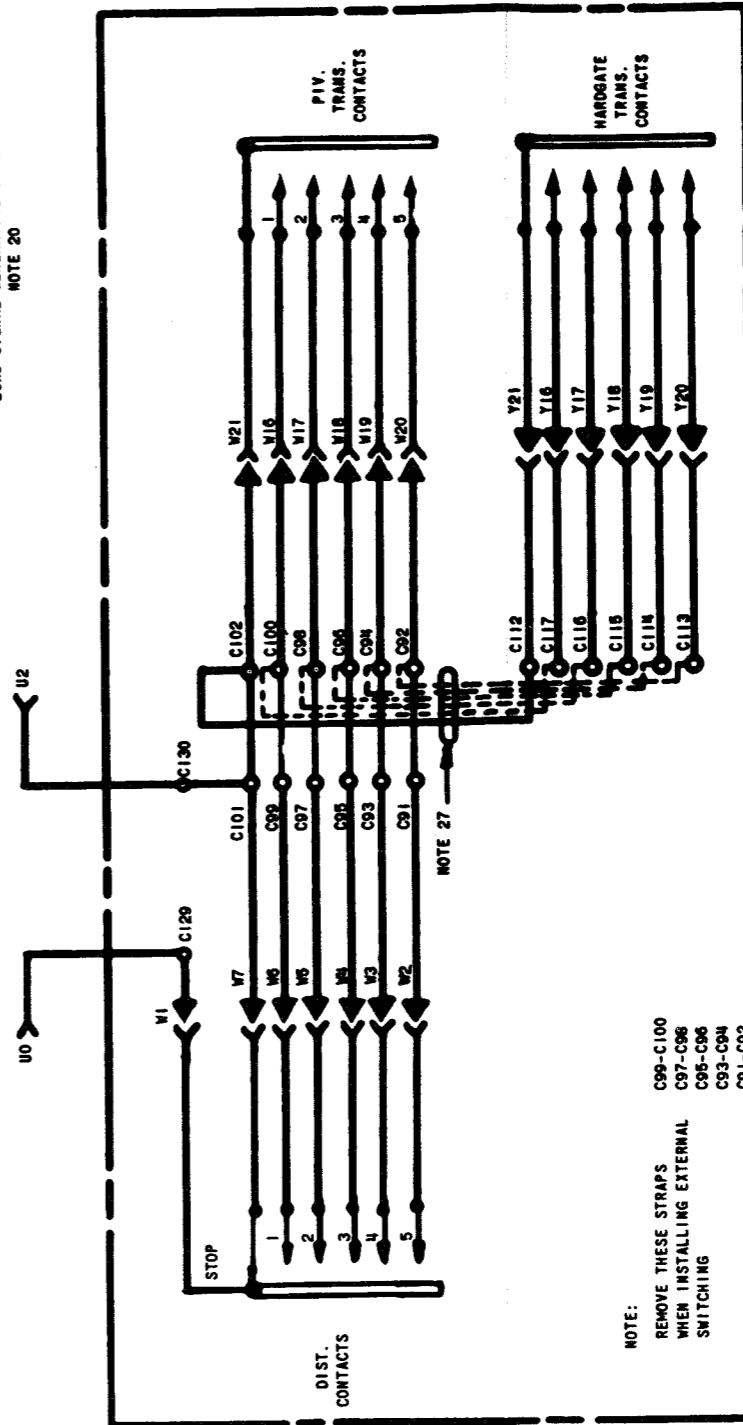
LCXD LINE SHUNT CIRCUIT  
NOTE 20



LCXD TRANS. DIST. CIRCUIT  
NOTE 20



LCXD SIGNAL GENERATING CIRCUIT  
NOTE 20



3294 WD

REVISIONS

ISSUE	DATE	AUTH. NO.
Q	3-30-60	28-12924
R	4-21-60	28-12936
S18	10-12-60	28-14077
T19		68761-33
U20		
21	3-28-62	69768-10
22	11-26-63	78875
23	2-11-64	79910
24	8-28-64	82637

SHEET 2 OF 6

SCHEMATIC  
WIRING DIAGRAM  
FOR  
MODEL 28  
ASR-GP-OPT 1 AC  
WITH FACILITIES  
PROVIDED BY  
ELECT. SERVICE UNIT  
LESU13  
AND ASSOCIATED  
UNITS

APPROVALS

D AND R

E OF M

E-NUMBER

PROD. NO. 3294WD

DATE 11-17-59

R.D. FILE NO. 27-A65AA

DRAWN A.C.

CHKD.

ENGD.

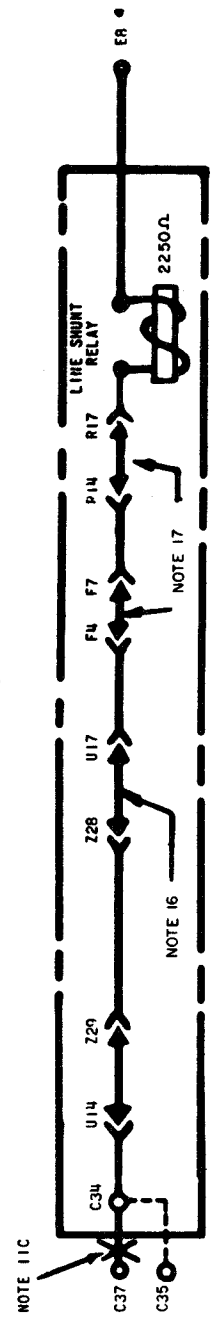
APPD.

TELETYPE  
CORPORATION

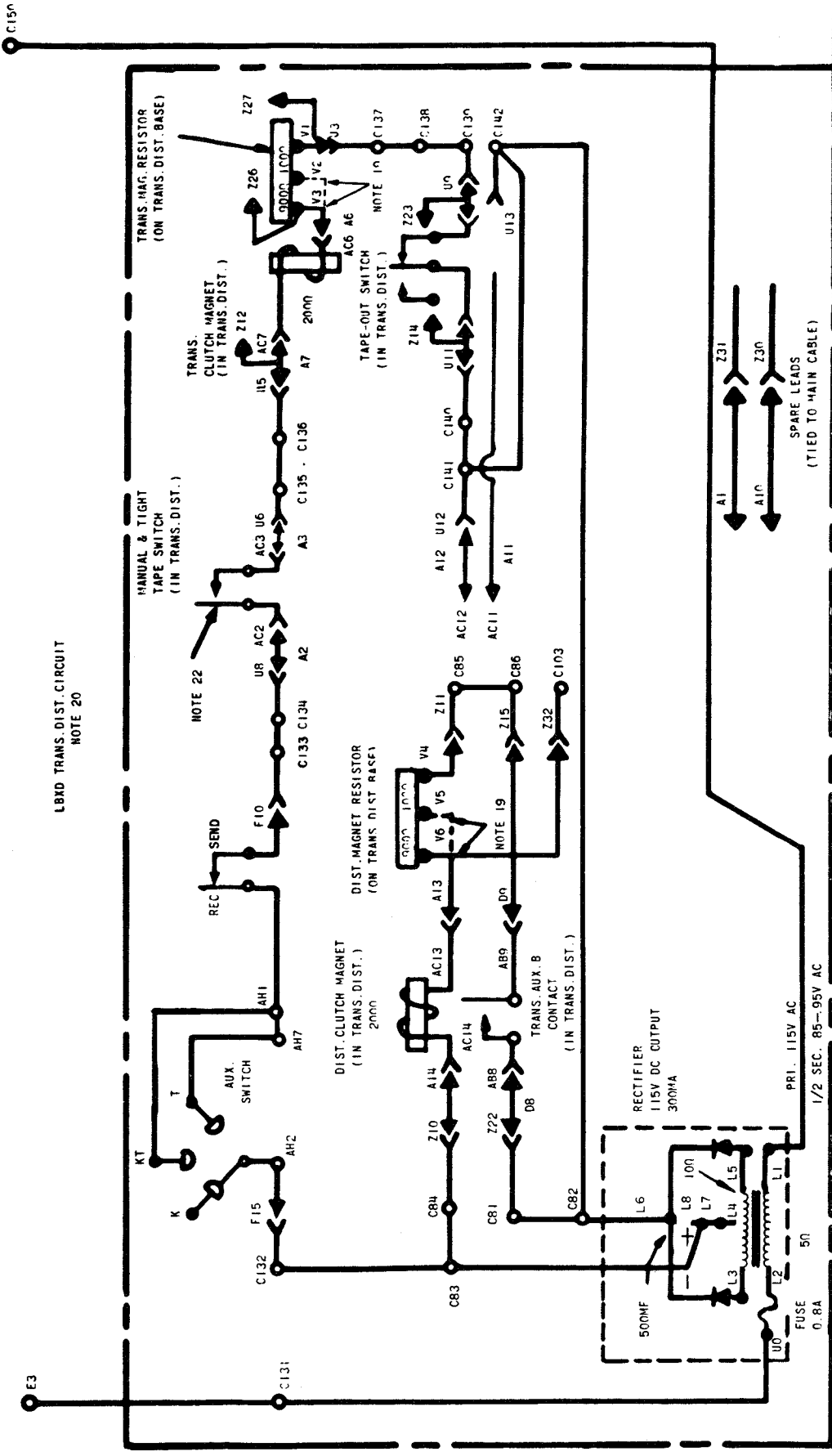
3294 WD

SEE SHEET 1 FOR NOTES.

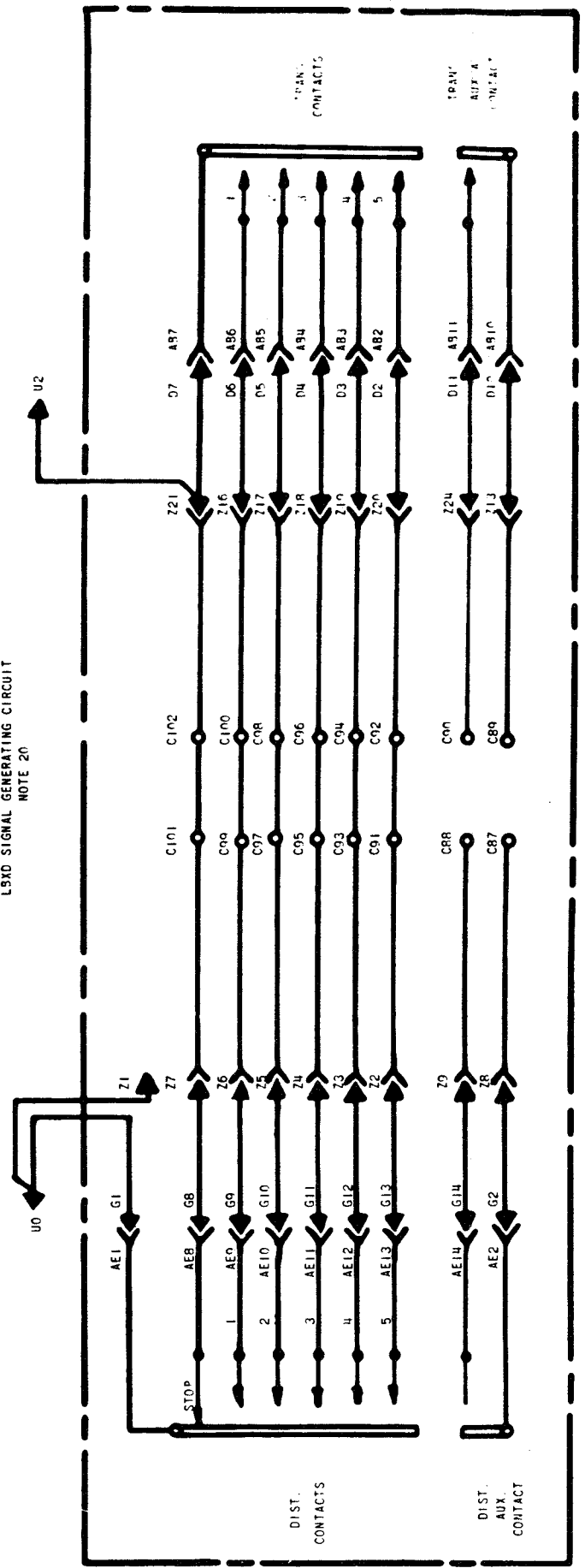
LBXD LINE SHUNT CIRCUIT  
NOTE 20



LBXD TRANS. DIST. CIRCUIT  
NOTE 20



LSXD SIGNAL GENERATING CIRCUIT  
NOTE 20



LBXD

3294 WD

REVISIONS		
ISSUE	DATE	AUTH NO
1	11 17 50	100000
2	11 17 50	100000
3	11 17 50	100000
4	11 17 50	100000
5	11 17 50	100000
6	11 17 50	100000
7	11 17 50	100000
8	11 17 50	100000
9	11 17 50	100000
10	11 17 50	100000
11	11 17 50	100000
12	11 17 50	100000
13	11 17 50	100000
14	11 17 50	100000
15	11 17 50	100000
16	11 17 50	100000
17	11 17 50	100000
18	11 17 50	100000
19	11 17 50	100000
20	11 17 50	100000

SHEET 1 OF 6

SCHEMATIC WIRING DIAGRAM FOR MODEL CR 150 GP OPT 1 AC WITH FACILITIES PROVIDED BY ELECT SERVICE UNIT LESLIG AND ASSOCIATED UNITS

APPROVALS	
D AND R	E OF M

E-NUMBER

PROD. NO. 3294WD

DATE 11 17 50

P.D. FILE NO. 27-4654A

DRAWN A C

CHKD.

ENGD.

APPD.

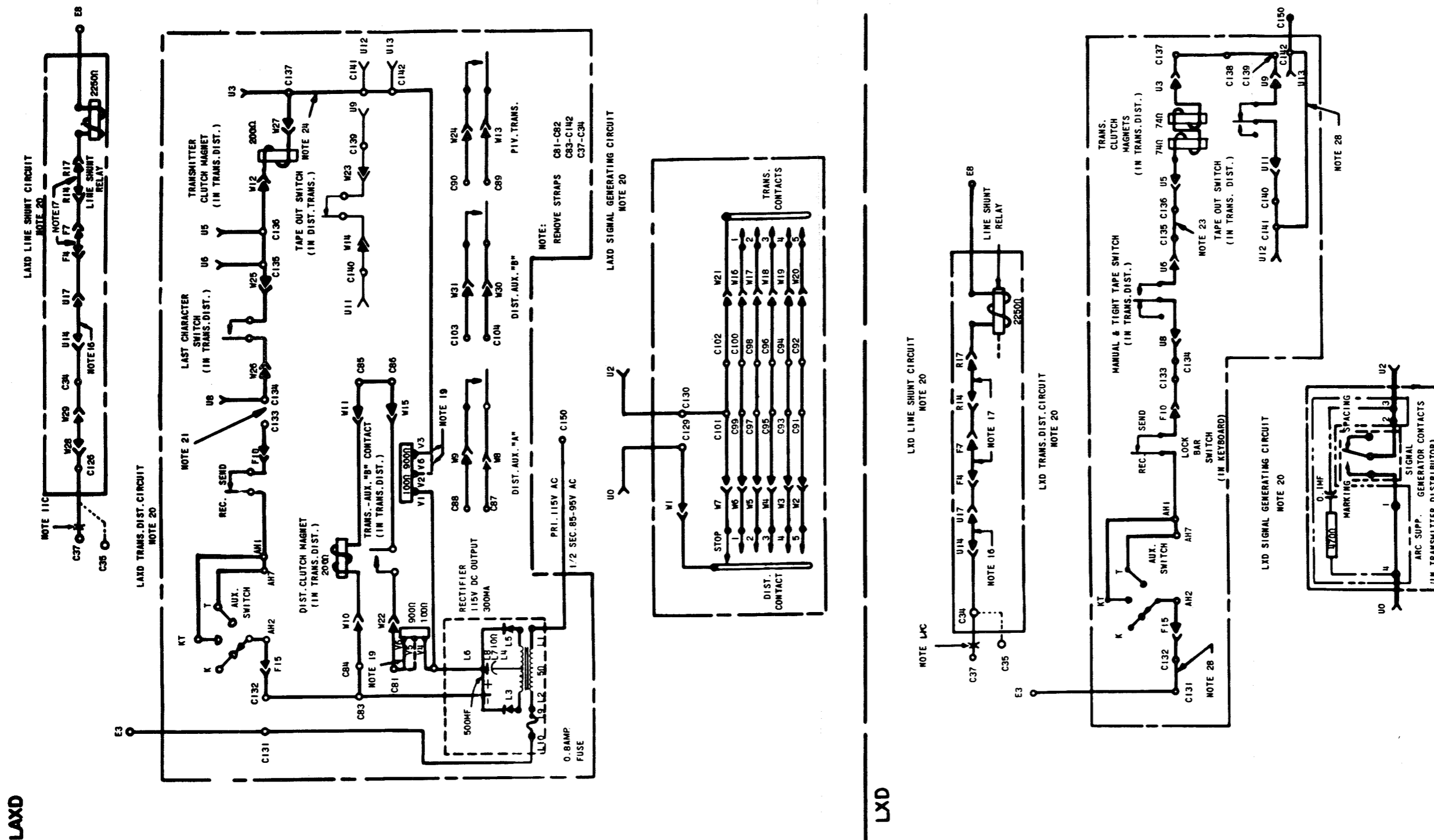
TELETYPE CORPORATION

3294WD

REVISIONS

ISSUE	DATE	AUTH. NO.
Q	3-30-60	28-12924
R	4-21-60	28-12936
S18	10-12-60	28-14077
T19	4-5-61	68761-33
W20		
21	3-28-62	69768-10
22	11-26-63	78875
23	2-11-64	79910
24	8-28-64	82637

SEE SHEET 1 FOR NOTES



SHEET 4 OF 6

SCHEMATIC WIRING DIAGRAM FOR MODEL 28 ASR-GP-OPT I AC WITH FACILITIES PROVIDED BY ELECT. SERVICE UNIT LESU13 AND ASSOCIATED UNITS

APPROVALS

D AND R E OF M

E-NUMBER

PROD. NO. 3294WD

DATE 11-17-59

P.D. FILE NO. 27-465AA

DRAWN A.C. CHKD.

ENGD. APPD.

TELETYPE CORPORATION

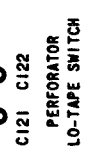
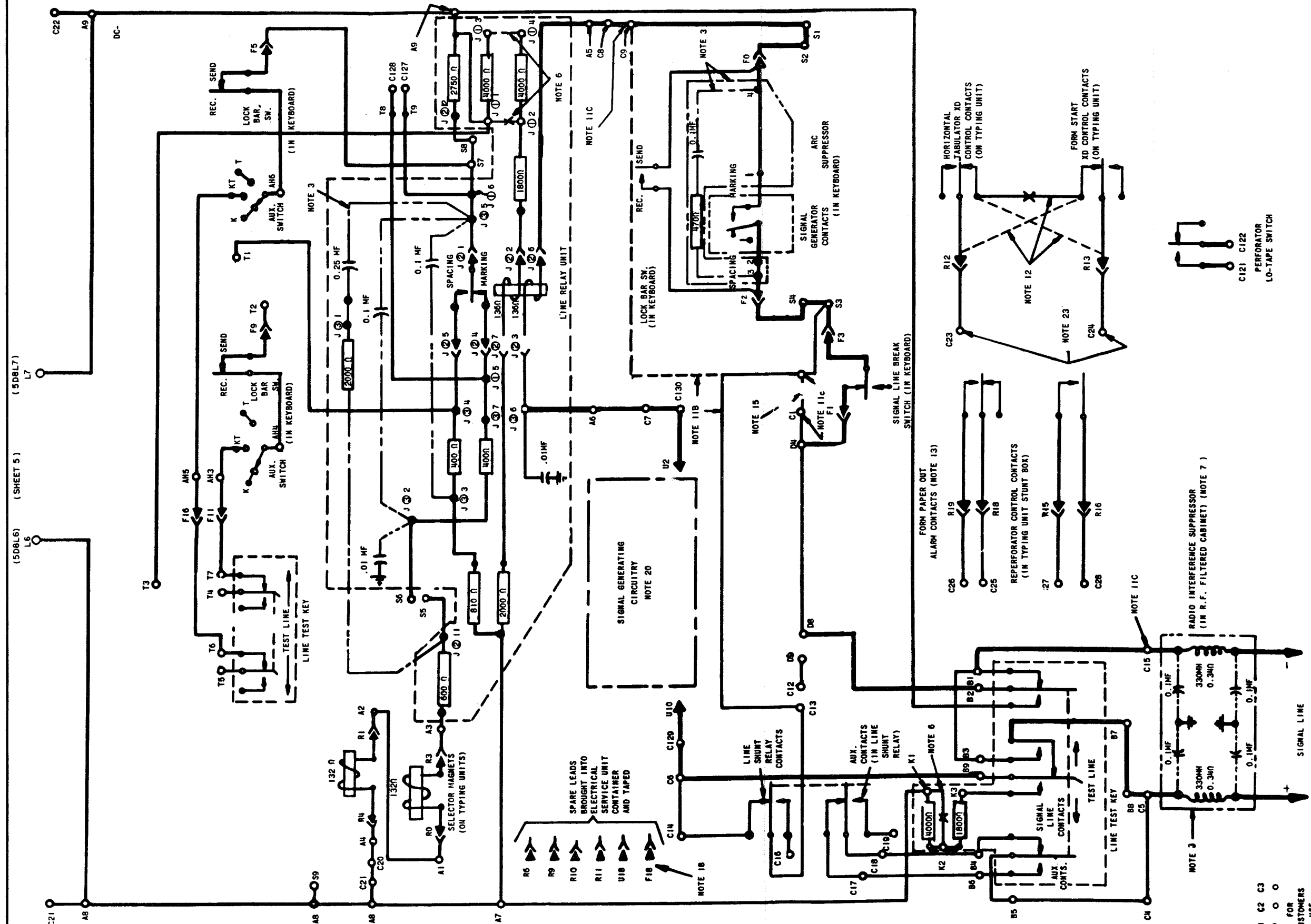


SEE SHEET 1 FOR NOTES

# 3294 WD

## REVISIONS

ISSUE	DATE	AUTH. NO.
Q	3-30-60	28-12924
R	4-21-60	28-12936
S18	10-12-60	28-14077
T19	4--61	68761-32
W20		
21	3-28-62	69768-10
22	11-26-63	78875
23	2-11-64	79910
24	8-28-64	82637



SHEET 6 OF 6

SCHEMATIC WIRING DIAGRAM FOR MODEL 28 ASR-GP-OPT I AC WITH FACILITIES PROVIDED BY ELECT. SERVICE UNIT LESU13 AND ASSOCIATED UNITS

### APPROVALS

D AND R *HJK* E OF M *✓*

E-NUMBER

PROD. NO. 3294WD

DATE 11-17-59

R.D. FILE NO. 27-A65AA

DRAWN A.C. CHKD.

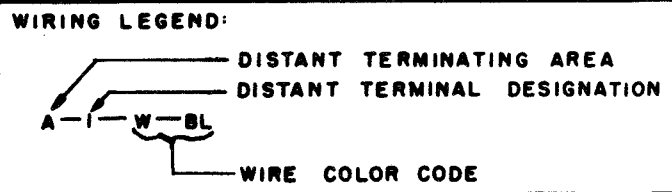
ENGD. APPD.

TELETYPE CORPORATION

# 3294 WD

C1 C2 C3 FOR CUSTOMER USE

**NO NOTES**



**COLOR CODE:**

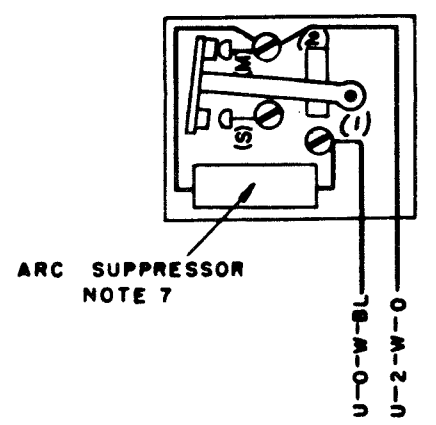
BK - BLACK	W-BK - WHITE-BLACK
BR - BROWN	W-BR - WHITE-BROWN
R - RED	W-R - WHITE-RED
O - ORANGE	W-O - WHITE-ORANGE
Y - YELLOW	W-Y - WHITE-YELLOW
G - GREEN	W-G - WHITE-GREEN
BL - BLUE	W-BL - WHITE-BLUE
P - PURPLE	W-P - WHITE-PURPLE
W - WHITE	W-S - WHITE-SLATE
S - SLATE	

4. CONNECTOR VIEWED FROM SOLDER TERMINAL ENDS.
5. ALL CONTACTS SHOWN IN UNOPERATED POSITION.
6. SPARE TERMINAL OF U-18 RESERVED FOR POLAR OPERATION OF TRANSMITTER DISTRIBUTOR SIGNAL GENERATOR.
7. DISCONNECT ONE TERMINAL WHEN TESTING SIGNAL GENERATOR.
8. THE NUMBERS ENCASED BY PARENTHESES ARE USED FOR REFERENCE AND ARE NOT NECESSARILY SHOWN ON THE PARTS.
9. A. 115V ±10% AC POWER TO BE USED ON CLUTCH TRIP MAGNET ASSEMBLY CIRCUIT. (256M COIL ASSEMBLIES, 74Ω EACH) FOR DC OPERATION ADD SUFFICIENT EXTERNAL RESISTANCE TO LIMIT CURRENT TO 100 M.A.  
B. LXD27 EQUIPPED WITH 262M COIL ASSEMBLIES (RESISTANCE, 210Ω EACH) THE OPERATING CURRENT MUST BE 50MA, 115VDC WIRED AS SHOWN. FOR AC OPERATION CONNECT IN PARALLEL.
10. GROUND STRAP 117366 OF LCXB SHOULD BE SECURED TO RIGHT REAR MTG. STUD OF LAAC RAIL (SEE SPEC. 5941S).

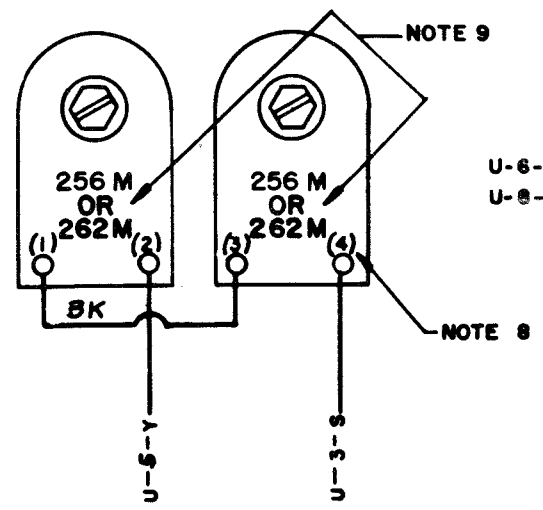
**3300WD**

ISSUE	DATE	AUTH NO
A	8-22-57	TP-2263
B	3-25-58	28-8767
C	6-25-58	28-9401
D	1-6-59	28-10308
E	2-25-59	28-10771
F	7-29-60	28-13548
G	10-17-63	78376

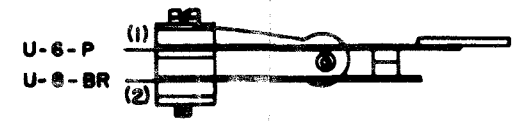
**A TRANSMITTER DISTRIBUTOR SIGNAL GENERATOR**



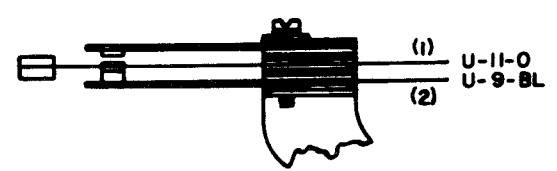
**B TRANSMITTER DISTRIBUTOR CLUTCH MAGNETS**



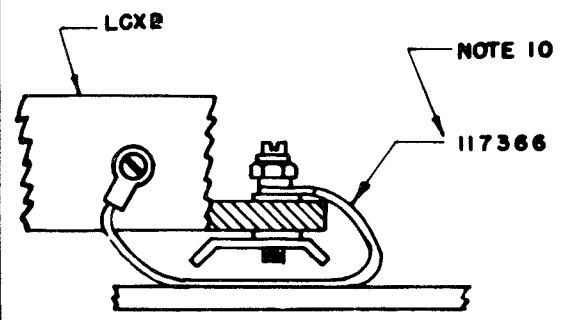
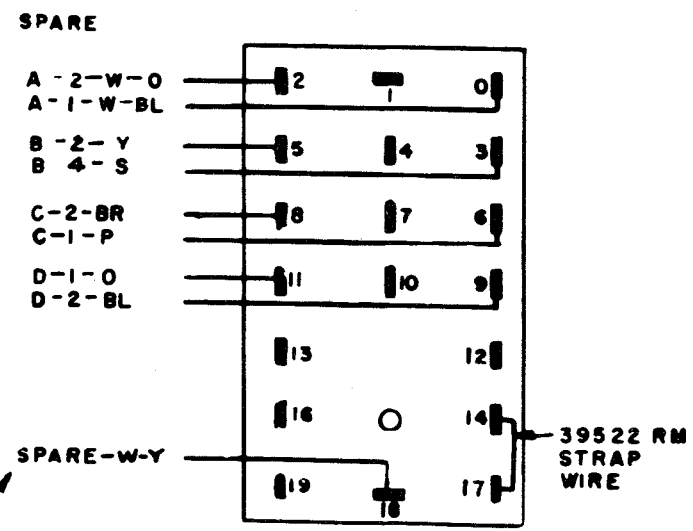
**C CONTROL LEVER CONTACT ASSEMBLY**



**D TAPE - OUT CONTACT ASSEMBLY (TAPE IN UNIT)**



**U TRANSMITTER DISTRIBUTOR CONNECTOR MALE**



**ACTUAL WIRING DIAGRAM MODEL 28 TRANSMITTER DISTRIBUTOR LXD 3,27 ASR-GP LESU 13, 14, 15, 16, 28, III**

**APPROVALS**

D AND R	E OF M
E-NUMBER	
PROD. NO.	
DATE 5-13-57	
PD. FILE NO 2-58.65AA	
DRAWN J.M.K.	CHKD R.D.
ENGD K.S.	APPROV K.S.

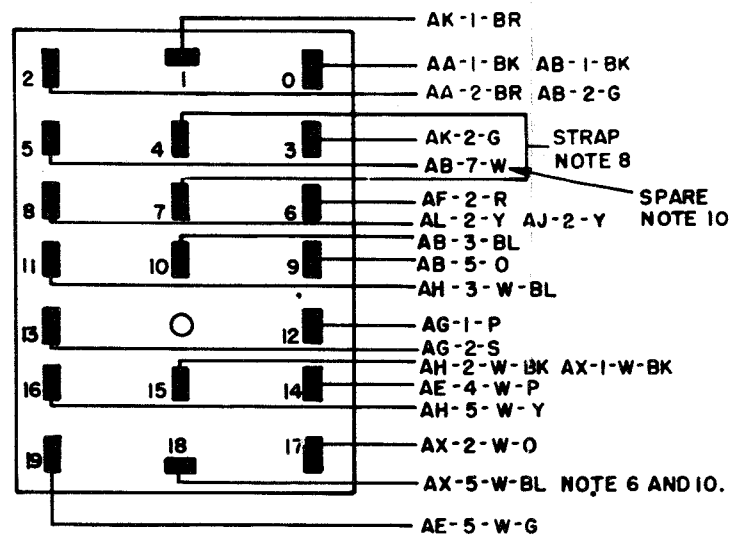
**TELETYPE CORPORATION**



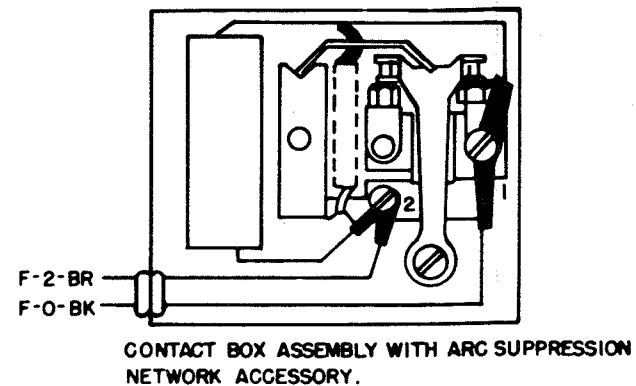
ISSUE	DATE	AUTH NO
5	3-24-59	28-10903
6	4-27-59	28-10983
7	7-10-59	28-11487
8	8-4-59	28-11508
9	3-30-60	28-12924
10	8-24-60	28-13780
11	12-30-60	28-14465
12	8-7-62	74054
13	3-9-64	80416
14	4-3-64	80416-1
15	5-14-64	81758
16	4-14-65	87065
17	9-21-65	89204

- NO**      **NOTES**
1. **WIRING LEGEND**
- 
2. **COLOR CODES.**
- |            |                      |
|------------|----------------------|
| BK — BLACK | W-BK — WHITE - BLACK |
| BR — BROWN | W-BR — WHITE - BROWN |
| R — RED    | W-R — WHITE - RED    |
| O — ORANGE | W-O — WHITE - ORANGE |
| Y — YELLOW | W-Y — WHITE - YELLOW |
| G — GREEN  | W-G — WHITE - GREEN  |
| BL — BLUE  | W-BL — WHITE - BLUE  |
| P — PURPLE | W-P — WHITE - PURPLE |
| W — WHITE  | W-S — WHITE - SLATE  |
| S — SLATE  |                      |
3. UNIT WIRED FOR 115 VOLTS AC OR DC POWER INPUT.
4. PLUGS VIEWED FROM SOLDER TERMINAL ENDS.
5. ALL CONTACTS SHOWN IN UNOPERATED POSITION IN KEYBOARD.
6. SPARE TERMINAL OF F-18 RESERVED FOR POLAR OPERATION OF KEYBOARD SIGNAL GENERATOR AND AL LAMP ON LAK 44.
7. **ASSOCIATED CABLES**
- 158224 CABLE ASSEMBLY, AUXILIARY
  - 158249 CABLE ASSEMBLY, KEYBOARD
  - 155992 CABLE ASSEMBLY, BACK SPACE
  - 159343 CABLE ASSEMBLY, BACK SPACE MAGNET
  - 304613 CABLE ASSEMBLY, LAMP AND SWITCHES (LAK 44)
8. BARE WIRE STRAP 39522 RM
9. PART OF ASSOCIATED UNIT (LPE, LPR, LRPE OR LTPE)
10. ON LAK 44 ONLY. REMOVE WHITE LEAD FROM F5 AND CUT OFF NEAR TUBING OF CABLE 158249.

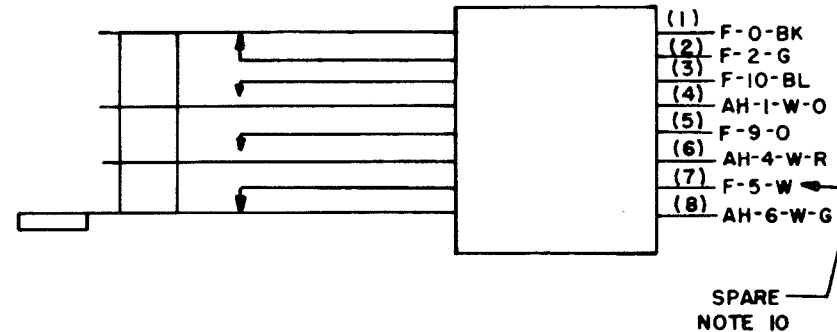
**F**  
KEYBOARD  
CONNECTOR  
MALE



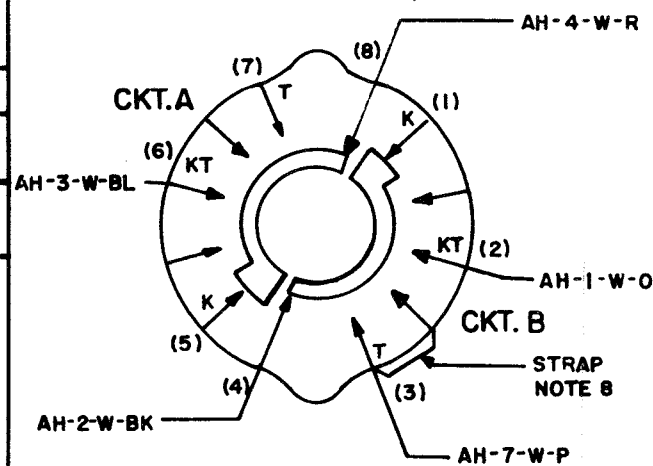
**AA**  
KEYBOARD  
SIGNAL GENERATOR



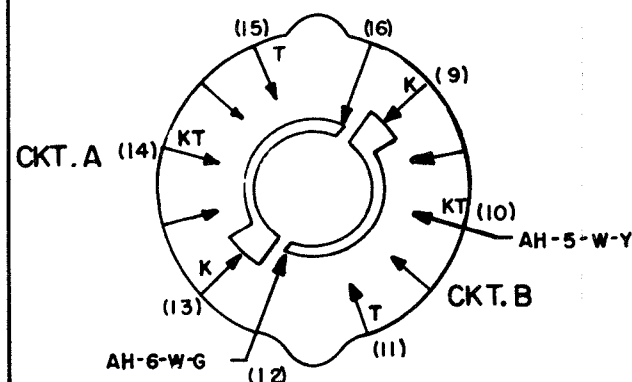
**AB**  
LOCK BAR SWITCH



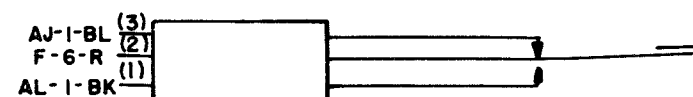
**AC**  
AUXILIARY SWITCH  
SECTION 1



SECTION 2



**AF**  
END-OF-LINE  
MARGIN INDICATOR  
SELECTOR SWITCH



SHEET 1 OF 2

ACTUAL  
WIRING DIAGRAM  
MODEL 28  
KEYBOARD BASE  
LAK 4, 25, 44.  
ASR - GP - OPT I  
ASR - GP - OPT II  
LESU 13, 15, 16, 25,  
28, 36, 112.

APPROVALS

D AND R      E OF M

E-NUMBER  
PROD. NO. 3302 WD

DATE: 10-23-56  
P.D. FILE NO 27A.65AA

DRAWN R.T.S. CHKD  
ENGD O.P.L. APPD

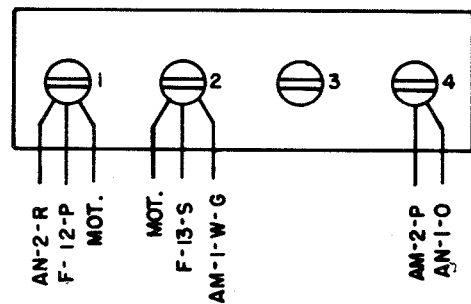
TELETYPE  
CORPORATION

3302 WD

ISSUE	DATE	AUTH NO

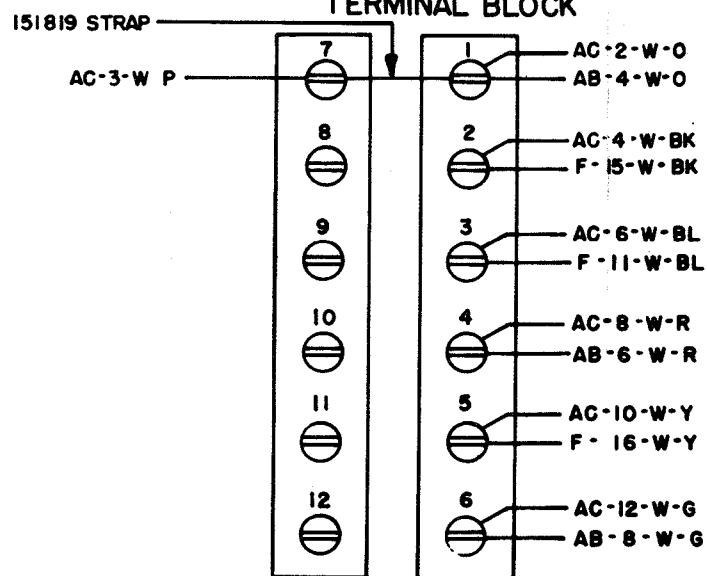
# AG

MOTOR TERMINAL BLOCK



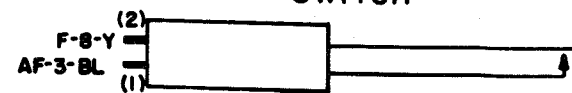
# AH

KEYBOARD TERMINAL BLOCK



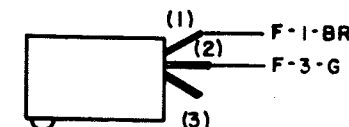
# AJ

END-OF-LINE INDICATOR SWITCH



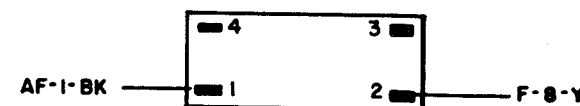
# AK

SIGNAL LINE BREAK KEY SWITCH



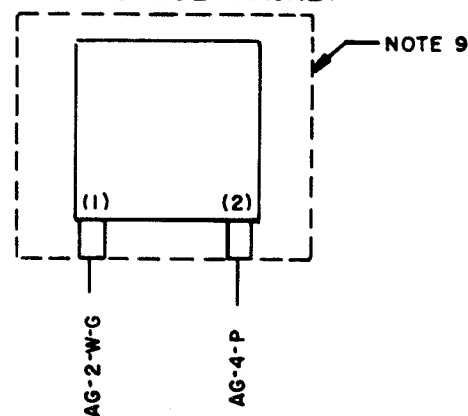
# AL

MARGIN INDICATOR SWITCH



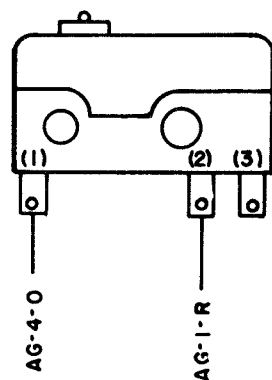
# AM

BACK-SPACE MAGNET



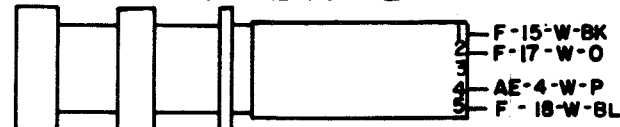
# AN

BACK-SPACE SWITCH



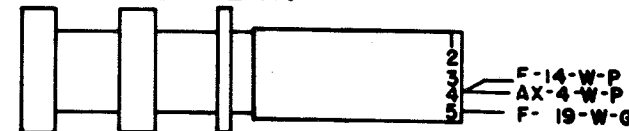
# AX

AL LAMP AND AR KEY



# AE

BID LAMP



LAK 44 ONLY

ACTUAL  
WIRING DIAGRAM  
MODEL 28  
KEYBOARD BASE  
LAK 4, 25, 44,  
ASR-GP-OPT I  
ASR-GP-OPT II  
LESU B, 15, 16, 25,  
28, 36, 112.

APPROVALS

D AND R E OF M

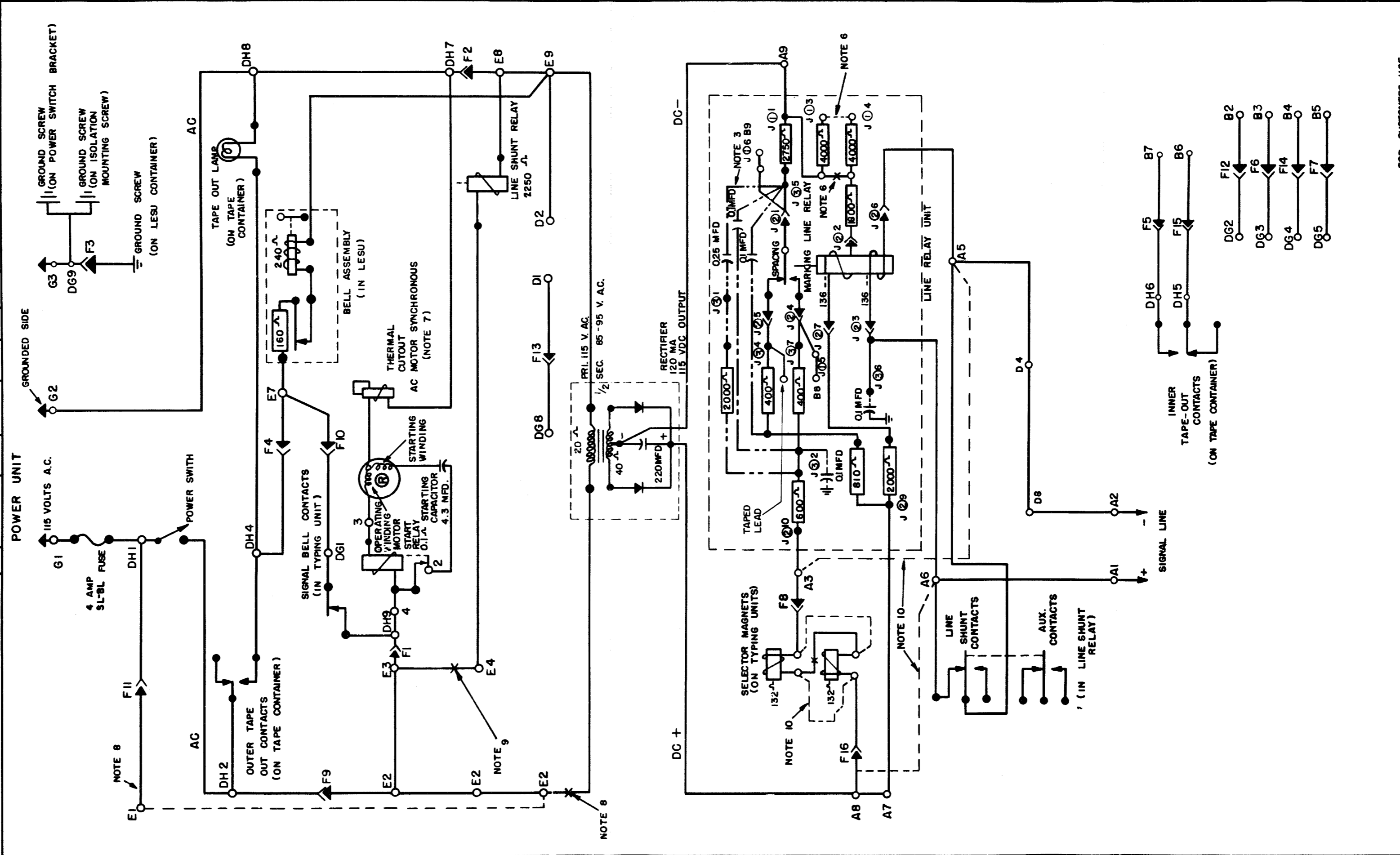
E-NUMBER  
PROD. NO. 3302 WD

DATE: 10-23-56  
P.D. FILE NO. 27A.65AA

DRAWN R.T.S. CHKD  
ENGD O.P.L. APPD

TELETYPE CORPORATION

- NO. NOTES
1. FOR ACTUAL WIRING DIAGRAMS OF INDIVIDUAL UNITS SEE WD NUMBER UNITS DIRECTLY OPERABLE WITH LESU 12  
 3344 WD ELECTRICAL SERVICE UNIT LESU 12  
 2900 WD MOTOR UNITS - L M U 3,4,6.  
 3319 WD TYPING REPERFORATOR BASE LRB 3,II
  2. LEGEND  
 O G 3-POINT CONNECTOR (ON BASE)  
 O DG TERMINAL BLOCK (ON BASE)  
 O DH TERMINAL BLOCK (ON BASE)  
 F 16-POINT CONNECTOR  
 O A TERMINAL BLOCK (IN LESU)  
 O B TERMINAL BLOCK (IN LESU)  
 O D TERMINAL BLOCK (IN LESU)  
 O E TERMINAL BLOCK (IN LESU)  
 O J ① TERMINAL STRIP ON LINE RELAY (IN LESU)  
 O J ② LINE RELAY CONNECTOR (IN LESU)  
 O J ③ LINE RELAY FILTER (IN LESU)
  3. DOT-DASH (---) LINES INDICATE FILTERING, SHIELDING AND SUPPRESSION NETWORKS.
  4. ALL APPARATUS IS SHOWN IN UNOPERATED OR DE-ENERGIZED POSITIONS.
  5. (A) RESISTANCE VALUES IN OHMS (Ω)  
 (B) INDUCTANCE VALUES IN MICROHENRIES (MH)  
 (C) CAPACITANCE VALUES IN MICROFARADS (MFD)
  6. CIRCUITS SHOWN FOR .060 AMP. NEUTRAL SIGNAL LINE OPERATION. FOR .020 AMP LINE CURRENT, ADD DASH LINE (---) CONNECTION AND OMIT CONNECTION MARKED (\*-) IN LINE RELAY.
  7. USE SYNCHRONOUS MOTOR ON REGULATED 60 Hz (±1%) A.C. POWER ONLY. GOVERNED MOTORS AND OTHER POWER CIRCUITS OPERABLE ON 50 TO 60 Hz UNREGULATED A.C.
  8. RECTIFIER SHOWN CONTROLLED BY POWER SWITCH  
 A. FOR CONTINUOUS OPERATION MOVE PRIMARY (INPUT) LEAD FROM TERMINAL E2 TO TERMINAL E1.
  9. LINE SHUNT RELAY SHOWN CONTROLLED BY POWER SWITCH AND SHUNTING LINE RELAY COIL.
  10. FOR SPECIAL APPLICATIONS WHEN LESU 12 IS USED WITH LRB 20, THE FOLLOWING NOTE APPLIES; SELECTOR MAGNETS CAN BE OPERATED DIRECTLY IN A NEUTRAL SIGNAL LINE AS FOLLOWS:  
 REMOVE LINE RELAY  
 FOR 20 MILLIAMPERE, 60 AND 75 WPM OPERATION (OR ANY INTERMEDIATE SPEED.)  
 1. STRAP A5 TO A3  
 2. MOVE BLUE LEAD FROM TERMINAL A8 TO A6.  
 FOR 60 MILLIAMPERE, 60, 75 & 100 WPM OPERATION (OR ANY INTERMEDIATE SPEED.)  
 1 AND 2 SAME AS ABOVE  
 3. ADD DASHED (---) LEAD, OMIT \* LEAD ON SELECTOR MAGNETS (REFER TO 3342 WD)



**3343 WD**

REVISIONS		
ISSUE	DATE	AUTH. NO.
H	4-21-60	28-13089-1
J	11-8-60	28-13923
K	3-24-61	68761-19
L	12-7-61	71860
M	3-28-62	60788-10
P	11-26-63	78876

FOR CUSTOMERS USE

**SCHEMATIC WIRING DIAGRAM  
MODEL 28**

**REPERFORATOR BASE  
LRB 3,II  
ELECT SERVICE UNIT  
LESU 12**

APPROVALS	
D AND R	E OF M
E-NUMBER 104027	
PROD. NO. 3343 WD	
DATE 6-27-67	
RD. FILE NO. 1-49.65AA	
DRAWN E.R.	CHKD G.G.
ENGD H.S.P.	APPD J.P.P.

**TELETYPE CORPORATION**

**3343 WD**

**NOTES**

1. WIRING LEGEND:

— DISTANT TERMINATING AREA  
 — DISTANT TERMINAL DESIGNATION  
 A-1-W-BL WIRE COLOR CODE

2. COLOR CODE

BK - BLACK	W - BK - WHITE - BLACK
BR - BROWN	W - BR - WHITE - BROWN
R - RED	W - R - WHITE - RED
O - ORANGE	W - O - WHITE - ORANGE
Y - YELLOW	W - Y - WHITE - YELLOW
G - GREEN	W - G - WHITE - GREEN
BL - BLUE	W - BL - WHITE - BLUE
P - PURPLE	W - S - WHITE - SLATE
W - WHITE	
S - SLATE	

3. UNIT WIRED FOR 115 VOLTS 50 TO 60 CYCLE A.C. POWER INPUT ONLY.

4. CONNECTOR VIEWED FROM SOLDER TERMINAL END.

5. CIRCUITS SHOWN FOR .060 AMP NEUTRAL SIGNAL LINE OPERATION. FOR .020 AMP OPERATION REMOVE AND ADD CONNECTIONS AS TABULATED BELOW.

SIGNAL LINE CURRENT	CONNECTION REMOVED	CONNECTION ADDED
.020 AMP	J 01 - J 02	J 03 - J 04

6. RECTIFIER SHOWN CONTROLLED BY POWER SWITCH. FOR CONTINUOUS OPERATION REMOVE LEAD L-2-BK FROM TERMINAL E-2 AND CONNECT TO TERMINAL E-1.

7. LINE SHUNT RELAY SHOWN CONTROLLED BY POWER SWITCH AND SHUNTING LINE RELAY COIL.

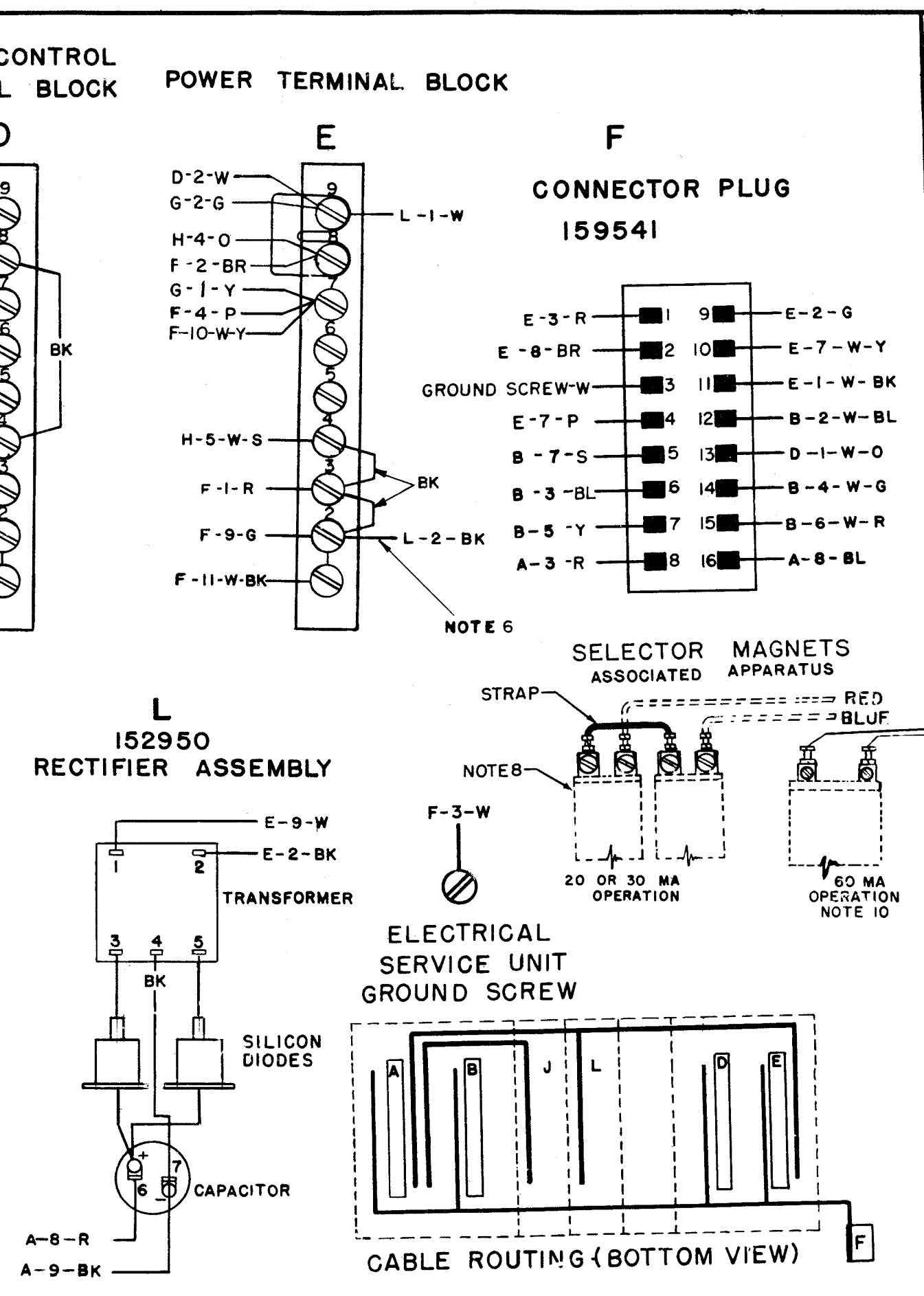
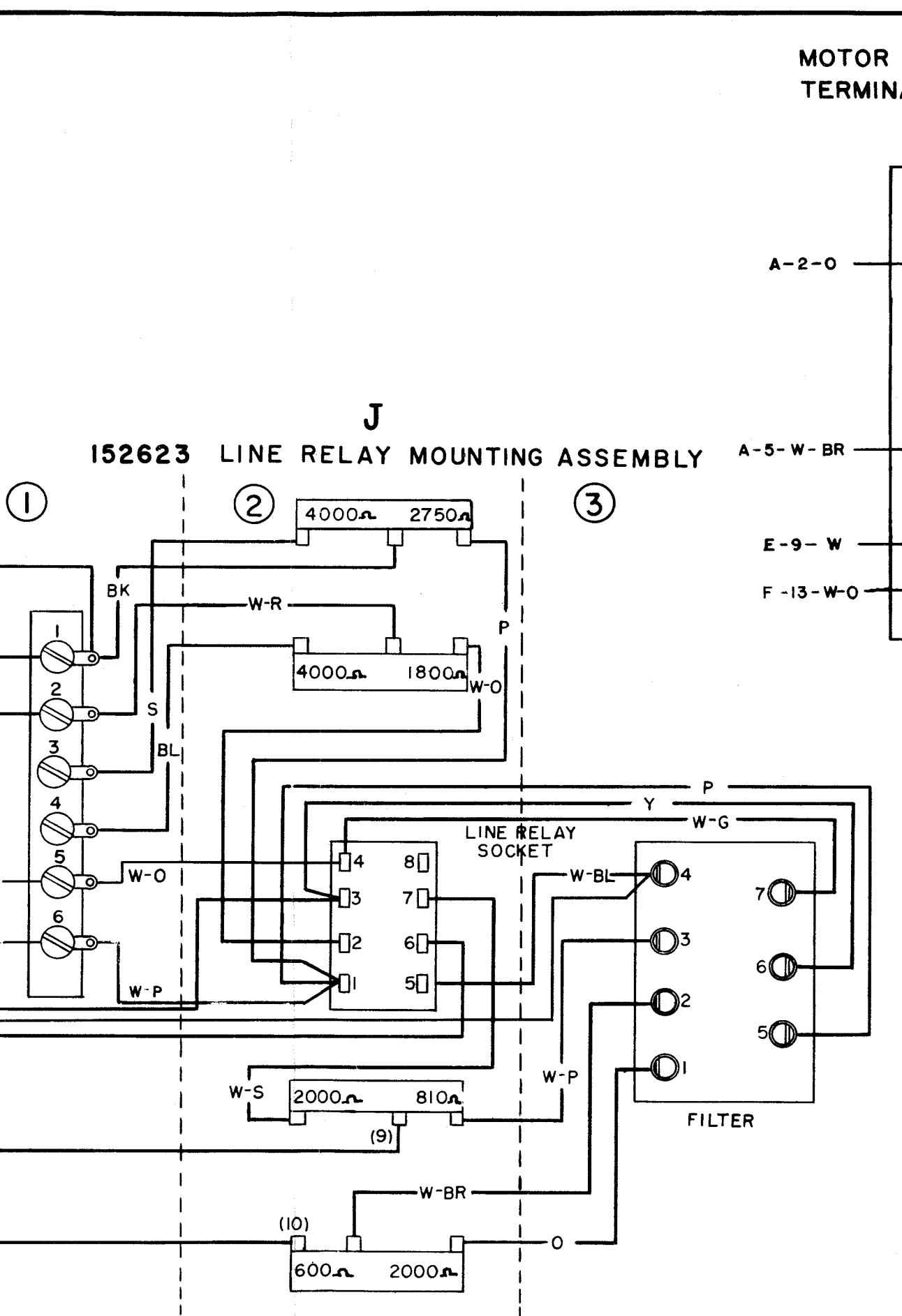
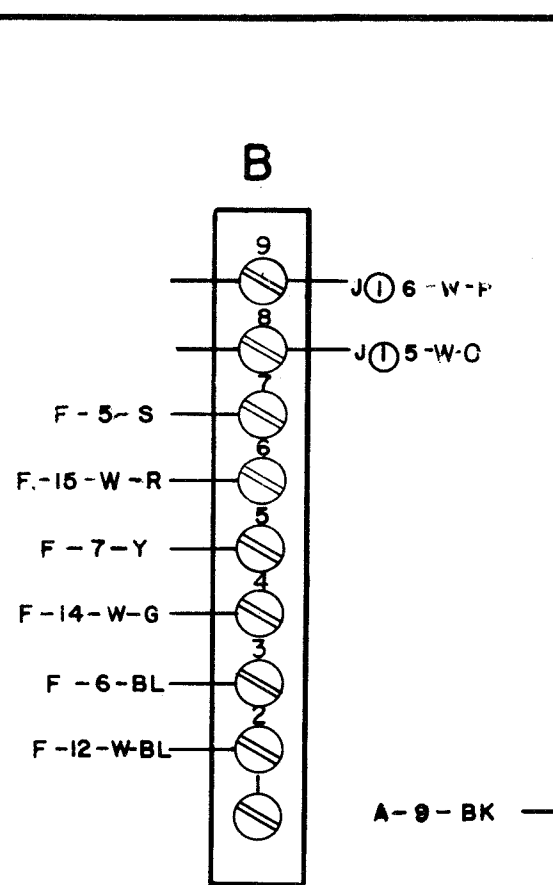
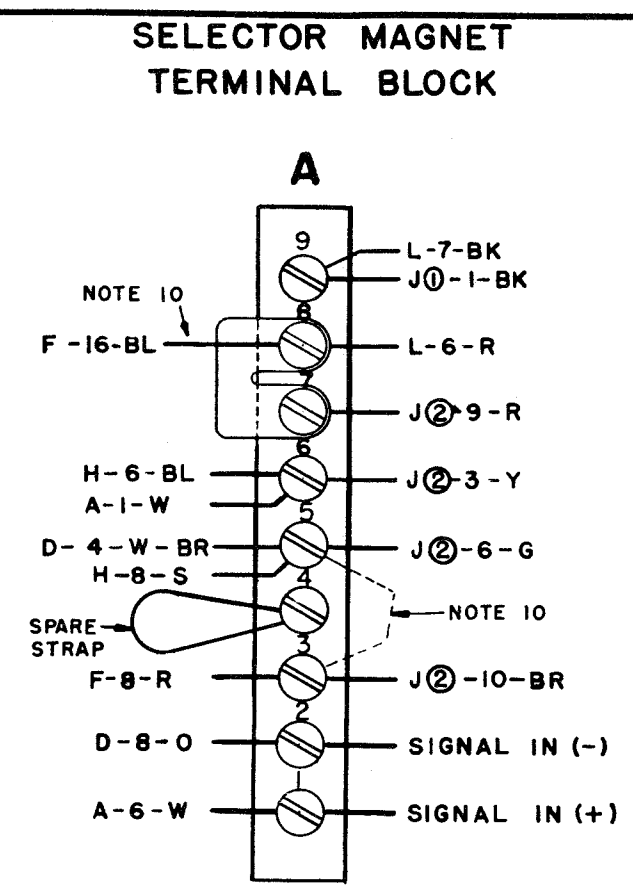
8. SELECTOR MAGNETS ARE TO BE WIRED AS SHOWN FOR 30 MILLIAMPERE OPERATION WHEN THE LINE RELAY IS USED.

9. ASSOC. CABLE NUMBERS

159939 CABLE ASSEM., LESU 12
153477 CABLE ASSEM., RECTIFIER
164030 CABLE ASSEM., LINE RELAY MTG. ASSEM.

10. SELECTOR MAGNETS CAN BE CONNECTED DIRECTLY IN THE SIGNAL LINE CIRCUIT FOR NEUTRAL OPERATION AS FOLLOWS:

REMOVE LINE RELAY  
 20 MILLIAMPERE, 60 & 75 WPM OPERATION (OR ANY INTERMEDIATE SPEED)  
 A STRAP AS TO A3  
 B. MOVE BLUE LEAD FROM TERMINAL A8 TO TERMINAL A6  
 60 MILLIAMPERE, 60, 75 & 100 WPM OPERATION (OR ANY INTERMEDIATE SPEED)  
 A & B SAME AS ABOVE  
 C CHANGE WIRING ON SELECTOR MAGNETS FOR 60 MILLIAMPERE OPERATION.



**3344 WD**

REVISIONS		
ISSUE	DATE	AUTH. NO.
A	7-2-58	28-9413
B	8-14-58	28-9413-1
C	9-2-58	28-9413-2
D	10-13-58	28-9413-3
E	12-31-58	28-10443
F	10-8-59	28-11755
G	4-13-60	28-13089
H	11-2-60	28-13773-2
I	3-24-61	68761-1-0
K	12-7-61	71860

**ACTUAL WIRING DIAGRAM, MODEL 28 ELECTRICAL SERVICE UNIT, LESU 12**

**APPROVALS**

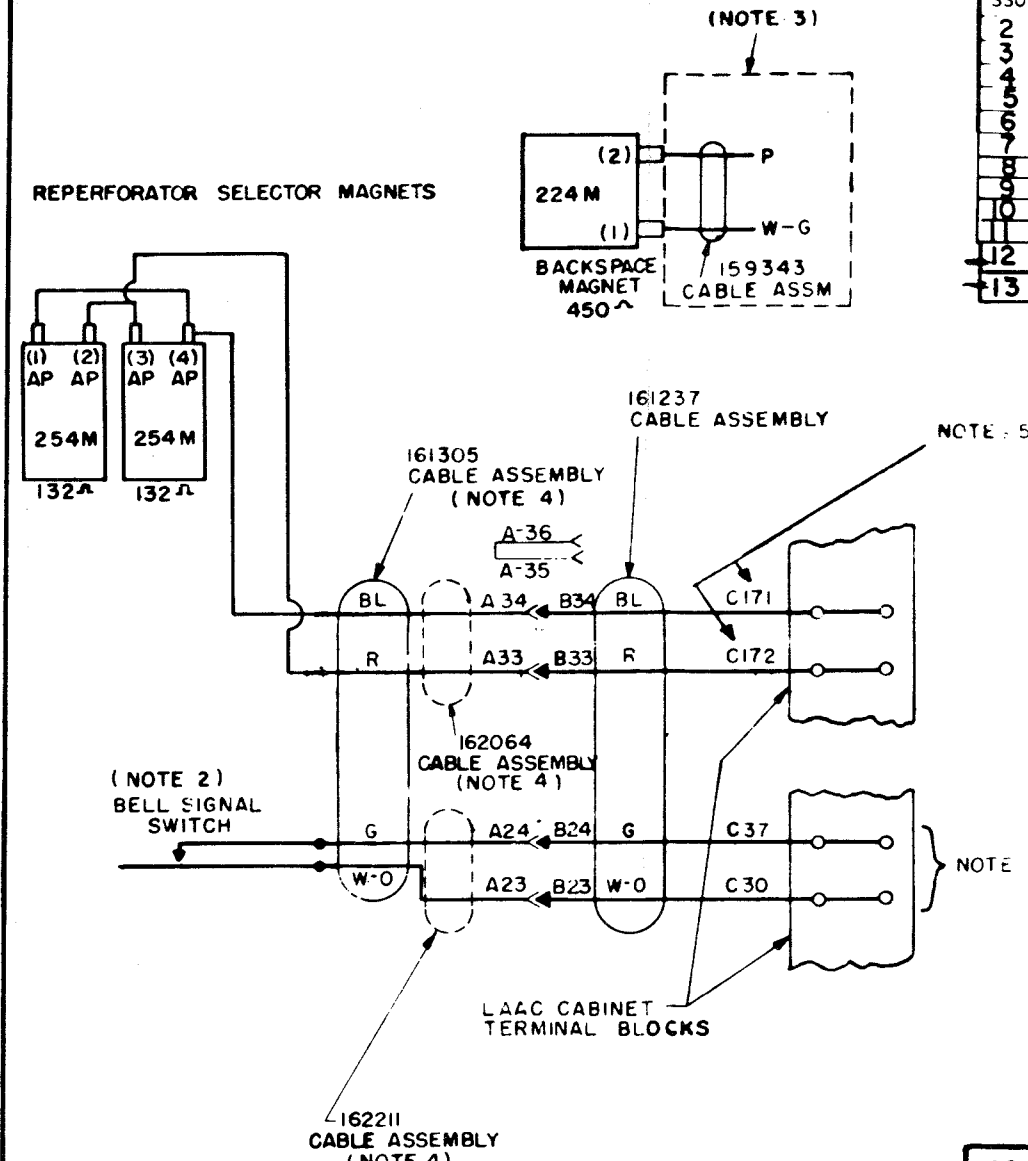
D AND R	E OF M
---------	--------

E-NUMBER 104207  
 PROD. NO. 3344 WD  
 DATE: 7-12-57  
 P.D. FILE NO. 1-49.65AA  
 DRAWN BY: CHD  
 ENG'D H.S.P. APPD.  
**TELETYPE CORPORATION**  
**3344 WD**

3567 WD

REVISIONS

ISSUE	DATE	AUTH NO
2	3-6-59	28-10836
3	4-27-59	28-10983
4	5-20-59	28-11062
5	1-13-60	28-12424
6	2-10-60	28-12625
7	4-6-60	28-13061
8	5-3-60	28-12266
9	4-6-61	69279
10	11-16-62	75121
11	12-20-62	75405
12	3-12-63	76325
13	9-8-66	91153



NOTES:

REPERFORATOR SELECTOR MAGNETS SHOWN FOR .060 AMP OPERATION. FOR .020 AMP OPERATION REMOVE AND ADD CONNECTIONS AS TABULATED BELOW

4. LPR 51 & 56 USE 162064 & 162211 CABLE ASSEMBLIES. LRPE 6 USES 162064 CABLE ASSEMBLY. LPR 77 USES 162064 CABLE ASSEMBLY.

	CONNECTION REMOVED	CONNECTION ADDED
.020 AMPS.	A33- AP3 AP2- AP3 API- AP4	A33- AP2 API- AP3

2. BELL SIGNAL SWITCH NOT USED ON LRPE 6. TIE BACK W-O AND G WIRES ALONG CABLE 161237 WHEN USED WITH LRPE 6

3. PART OF LAK 4. & LAK 10

5. WHEN THESE TERMINALS ARE NOT AVAILABLE, THE 159396 MODIFICATION KIT TO ADD TERMINALS C-151 TO C-180, MAY BE ORDERED.

SCHEMATIC WIRING DIAGRAM-LPR 10,33 56,51,77 AND LRPE 6

APPROVALS

D AND R F OF M

E NUMBER

PROD NO 3567

DATE 8-7-58

PD FILE NO 1-76.65AA

DRAWN JNC


CHKD

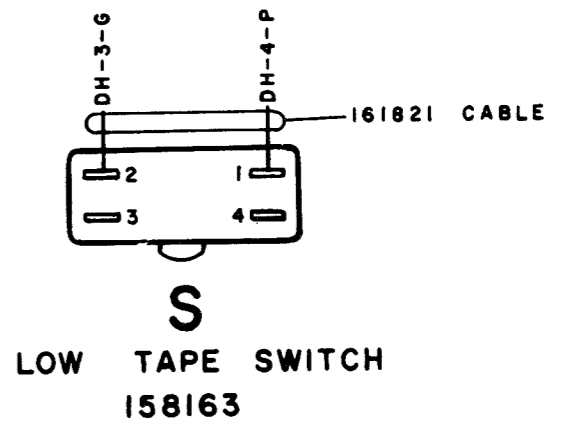
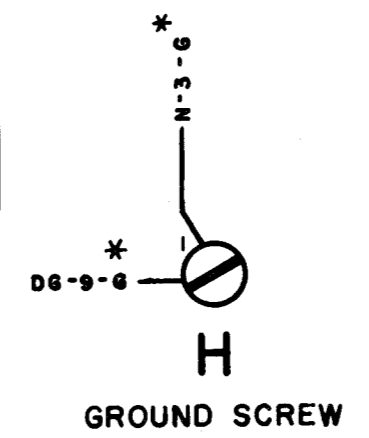
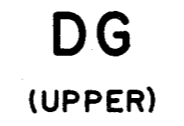
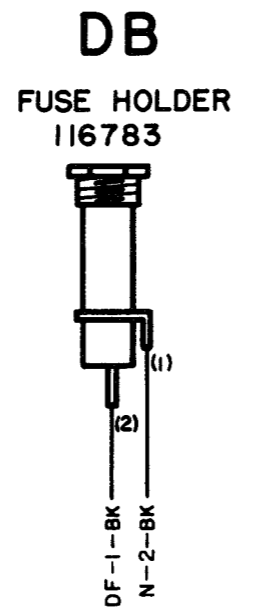
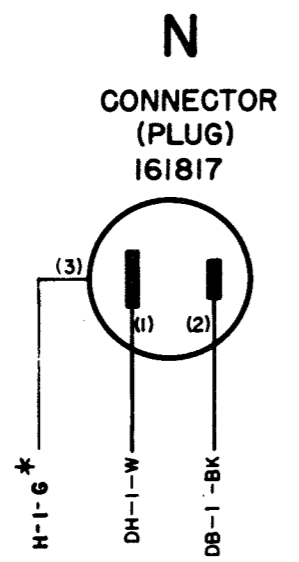
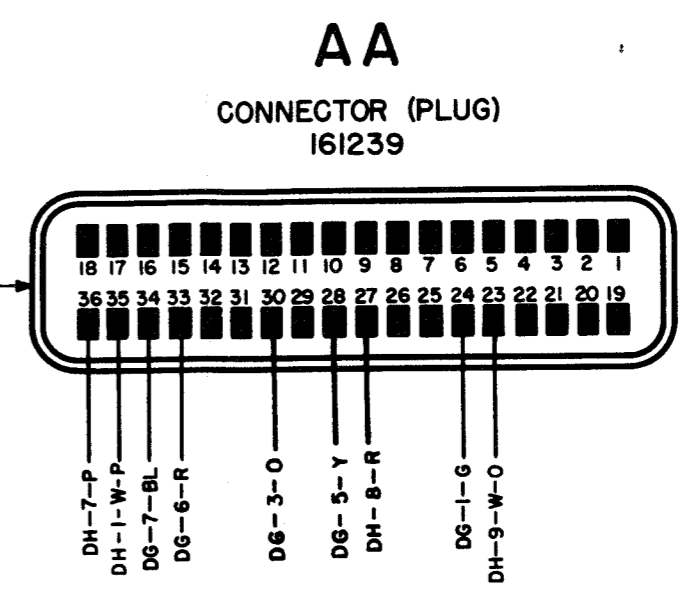
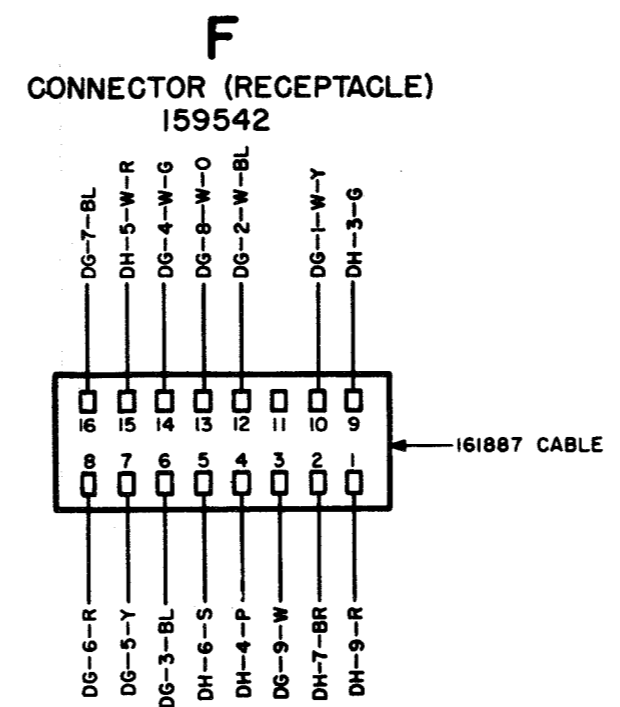
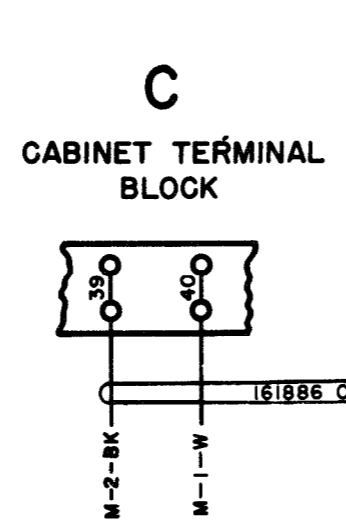
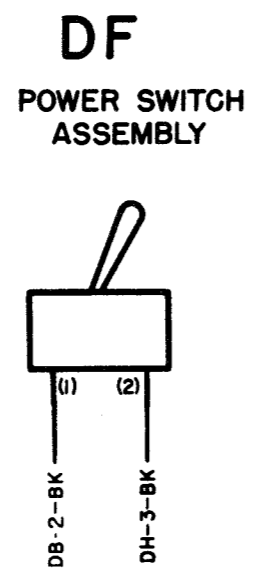
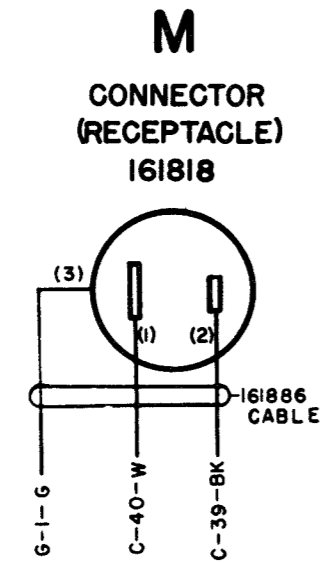
ENGD GW

APPD

TELETYPE CORPORATION

3567 WD

NO.	NOTES																														
1.	<b>WIRING LEGEND:</b>  DISTANT TERMINATING AREA DISTANT TERMINATING DESIGNATION WIRE COLOR CODE AB-2-W																														
2.	<b>COLOR CODE:</b> <table border="0"> <tr> <td>BK - BLACK</td> <td>W - BK</td> <td>WHITE - BLACK</td> </tr> <tr> <td>BR - BROWN</td> <td>W - BR</td> <td>WHITE - BROWN</td> </tr> <tr> <td>R - RED</td> <td>W - R</td> <td>WHITE - RED</td> </tr> <tr> <td>O - ORANGE</td> <td>W - O</td> <td>WHITE - ORANGE</td> </tr> <tr> <td>Y - YELLOW</td> <td>W - Y</td> <td>WHITE - YELLOW</td> </tr> <tr> <td>G - GREEN</td> <td>W - G</td> <td>WHITE - GREEN</td> </tr> <tr> <td>BL - BLUE</td> <td>W - BL</td> <td>WHITE - BLUE</td> </tr> <tr> <td>S - SLATE</td> <td>W - S</td> <td>WHITE - SLATE</td> </tr> <tr> <td>P - PURPLE</td> <td>W - P</td> <td>WHITE - PURPLE</td> </tr> <tr> <td>W - WHITE</td> <td></td> <td></td> </tr> </table>	BK - BLACK	W - BK	WHITE - BLACK	BR - BROWN	W - BR	WHITE - BROWN	R - RED	W - R	WHITE - RED	O - ORANGE	W - O	WHITE - ORANGE	Y - YELLOW	W - Y	WHITE - YELLOW	G - GREEN	W - G	WHITE - GREEN	BL - BLUE	W - BL	WHITE - BLUE	S - SLATE	W - S	WHITE - SLATE	P - PURPLE	W - P	WHITE - PURPLE	W - WHITE		
BK - BLACK	W - BK	WHITE - BLACK																													
BR - BROWN	W - BR	WHITE - BROWN																													
R - RED	W - R	WHITE - RED																													
O - ORANGE	W - O	WHITE - ORANGE																													
Y - YELLOW	W - Y	WHITE - YELLOW																													
G - GREEN	W - G	WHITE - GREEN																													
BL - BLUE	W - BL	WHITE - BLUE																													
S - SLATE	W - S	WHITE - SLATE																													
P - PURPLE	W - P	WHITE - PURPLE																													
W - WHITE																															
3.	ASSOCIATED CABLE ASSEMBLIES 161886, 161887 & 161888.																														
4.	ALL CONNECTORS VIEWED FROM SOLDER END.																														
5.	TERMINAL DESIGNATIONS ENCLOSED IN PARENTHESIS ARE NOT MARKED ON COMPONENTS.																														
6.	FOR SCHEMATIC WIRING DIAGRAM SEE 3591 WD.																														



**3590 WD**

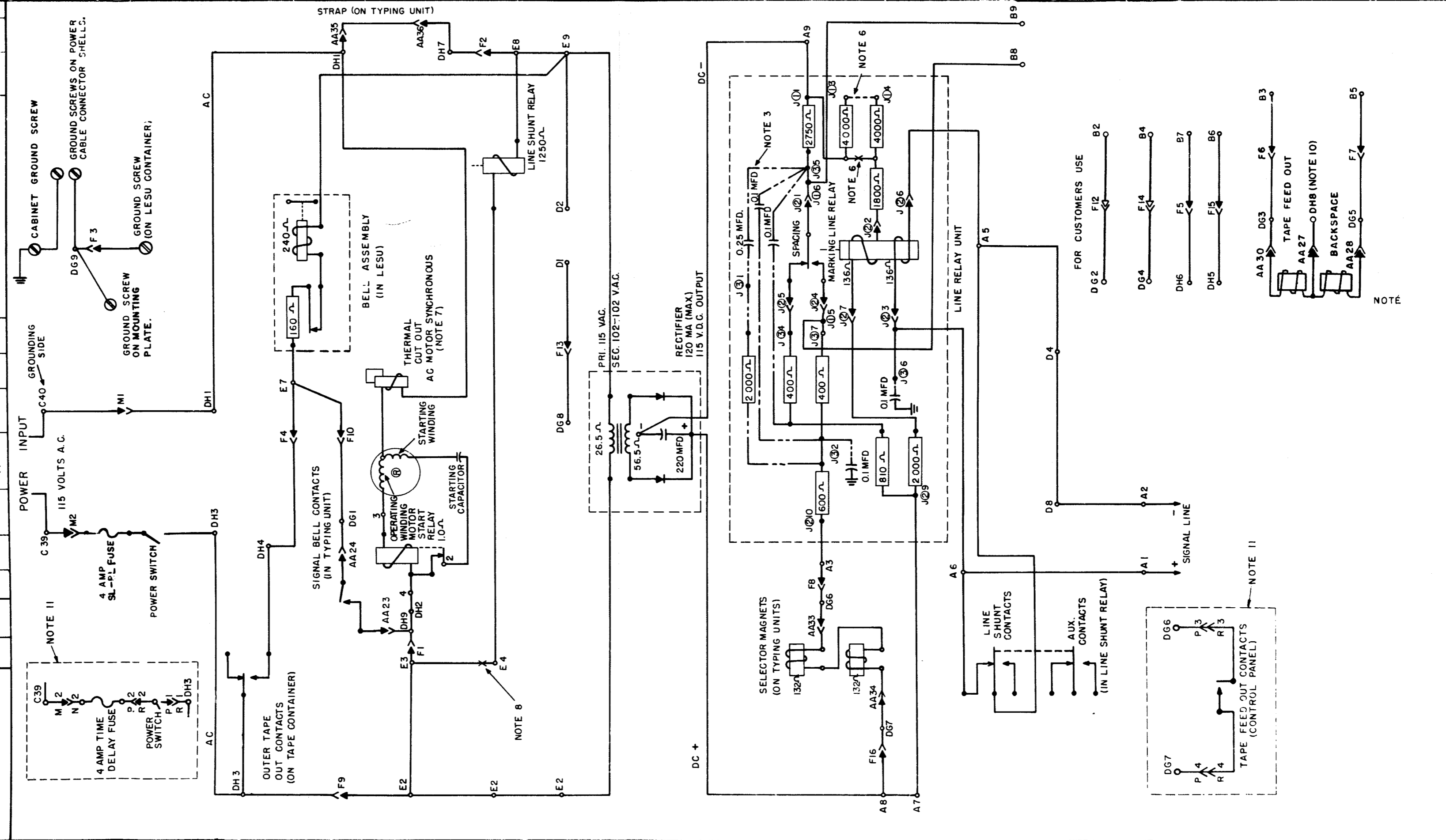
REVISIONS		
ISSUE	DATE	AUTH. NO.
1	8-28-58	28-11618
2	8-19-63	77729
3	8-31-66	88827-1

APPROVALS	
D AND B	E OF M
E-NUMBER	
PROD. NO. 3590 WD	

ACTUAL WIRING DIAGRAM  
MODEL 28  
REPERFORATOR  
BASE LRB5-6

DATE: 9-25-58
P.D. FILE NO. 8-A65.AA
DRAWN: K.F.L. CHKD. [Signature]
ENGD. G.E.W. APPD. [Signature]
TELETYPE CORPORATION
3590 WD

1. FOR ACTUAL WIRING DIAGRAMS OF INDIVIDUAL UNITS SEE WD NUMBER UNITS DIRECTLY OPERABLE WITH LESU 12
- |         |                                       |
|---------|---------------------------------------|
| 3344 WD | ELECTRICAL SERVICE UNIT LESU 12       |
| 2900 WD | MOTOR UNITS—LMU 3,4,6                 |
| 3590 WD | TYPING REPERFORATOR BASE LRB 5, LRB 6 |
2. LEGEND
- DG TERMINAL BLOCK (ON BASE)
  - DH TERMINAL BLOCK (ON BASE)
  - △ F 16-POINT CONNECTOR
  - A TERMINAL BLOCK (IN LESU)
  - B TERMINAL BLOCK (IN LESU)
  - D TERMINAL BLOCK (IN LESU)
  - E TERMINAL BLOCK (IN LESU)
  - J ⊕ TERMINAL STRIP ON LINE RELAY (IN LESU)
  - △ J ⊕ LINE RELAY CONNECTOR (IN LESU)
  - J ⊕ LINE RELAY FILTER (IN LESU)
  - △ AA 36 POINT CONNECTOR (ON BASE)
  - △ C CABINET TERMINAL BLOCK
  - △ P CONTROL PANEL CONNECTOR
  - △ R CONTROL PANEL CONNECTOR
3. DOT-DASH (---) LINES INDICATE FILTERING SHIELDING AND SUPPRESSION NETWORKS.
4. ALL APPARATUS IS SHOWN IN UNOPERATED OR DE-ENERGIZED POSITIONS.
5. (a) RESISTANCE VALUES IN OHMS (Ω)  
(b) INDUCTANCE VALUES IN MICROHENRIES (MH)  
(c) CAPACITANCE VALUES IN MICROFARADS (MFD)
6. CIRCUITS SHOWN FOR .060 AMP NEUTRAL SIGNAL LINE OPERATION. FOR .020 AMP LINE CURRENT, ADD DASH LINE (---) CONNECTION AND OMIT CONNECTION MARKED (---) IN LINE RELAY.
7. USE SYNCHRONOUS MOTOR ON REGULATED 60 ~ (±1%) AC POWER ONLY. GOVERNED MOTORS AND OTHER POWER CIRCUITS OPERABLE ON 50 TO 60 ~ UNREGULATED A.C.
8. LINE SHUNT RELAY SHOWN CONTROLLED BY POWER SWITCH AND SHUNTING LINE RELAY COIL.
9. TAPE FEED OUT AND/OR BACKSPACE MAGNETS ARE AVAILABLE ONLY WITH SPECIFIC CODED LPR UNITS.
10. WHEN COMMON CONNECTION IS USED, D.C. MUST BE PROVIDED FOR MAGNETS OTHER THAN 224 M WHICH OPERATES ON A.C. OR D.C.
11. WIRING FOR LRB6 (EQUIPPED WITH I78838 MOD. KIT) OR LRB36, LRB51



**3591 WD**

REVISIONS		
ISSUE	DATE	AUTH. NO.
2	8-28-59	28-11618
3	5-19-60	69791
4	6-20-61	70239
5	1-9-63	75620
6	11-27-63	78864
7	6-15-64	82627
8	5-25-65	87056
9	8-31-66	88627-1

SCHEMATIC WIRING DIAGRAM MODEL 28

REPERFORATOR BASE LRB 5, 6, 36, 42, 51

ELECTRICAL SERVICE UNIT LESU 12

APPROVALS

D AND A	E OF M
---------	--------

E-NUMBER

PROD. NO. 3591 WD

DATE: 9-22-58

P.D. FILE NO.

DRAWN E. M. CHKD [Signature]

ENGD. G. W. APPD [Signature]

TELETYPE CORPORATION

**3591 WD**



- NOTES**
- WIRING LEGEND:**

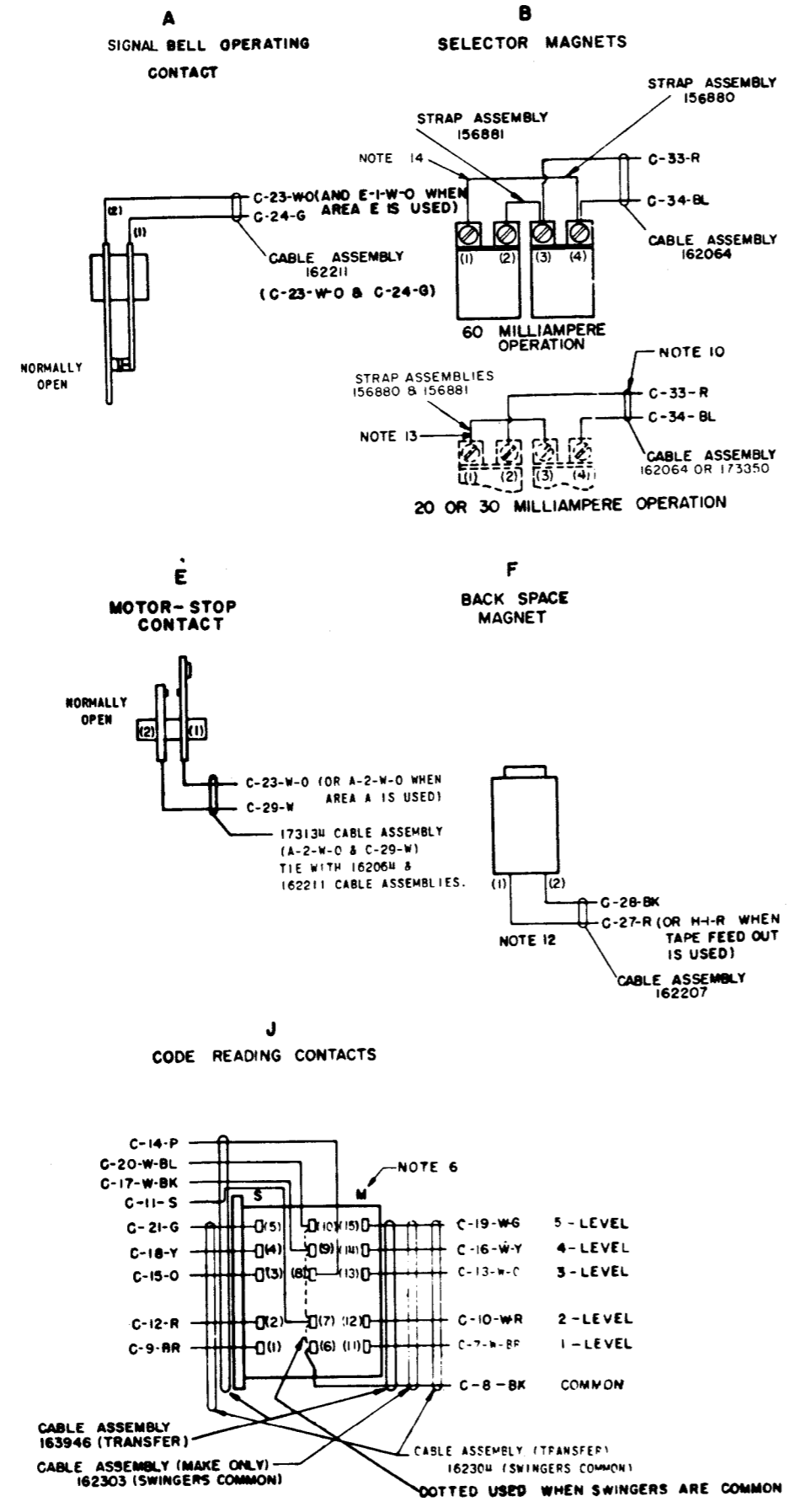
— DISTANT TERMINATING AREA

— DISTANT TERMINATING DESIGNATION

F-M-W-BL — WIRE COLOR CODE
  - COLOR CODE:**

BK - BLACK	G - GREEN
BR - BROWN	BL - BLUE
R - RED	P - PURPLE
O - ORANGE	S - SLATE
Y - YELLOW	W - WHITE
  - TERMINAL DESIGNATIONS ENCLOSED IN PARENTHESES ARE FOR REFERENCE AND ARE NOT MARKED ON COMPONENTS.
  - TERMINALS ON CONNECTOR SHOWN AS VIEWED FROM SOLDER END.
  - NORMALLY OPEN (NO) AND NORMALLY CLOSED (NC) CONTACTS ARE SHOWN WHEN THE REPERFORATOR IS IN THE STOP (IDLE) POSITION.
  - THE SPACING (S) SIDE ON THE CODE READING CONTACTS ARE NORMALLY CLOSED. THE MARKING (M) SIDE OF THE CODE READING CONTACTS ARE NORMALLY OPEN.
  - WHEN THE AUXILIARY CONTACTS ARE OPERATED FROM A SINGLE CYCLE FUNCTION CAM, THE CONTACTS NEAREST THE MOUNTING BRACKET ARE NORMALLY CLOSED.

WHEN THE AUXILIARY CONTACTS ARE OPERATED FROM A DOUBLE CYCLE FUNCTION CAM, THE CONTACTS FARTHEST FROM THE MOUNTING BRACKET ARE NORMALLY CLOSED.
  - GENERAL NOTE:** WIRING OF INDIVIDUAL COMPONENTS IS DETERMINED BY REFERRING TO THE CABLE ASSEMBLIES SPECIFIED ON THE UNIT B/M.
  - WHEN USING THE 162306 CABLE ASSEMBLY WITH THE LRPEB, CONNECT THE W-BL WIRE (NORMALLY CONNECTED TO 64) TO 66.
  - WHEN COMMON CONNECTION IS USED, D.C. MUST BE PROVIDED FOR MAGNETS OTHER THAN 2244 WHICH OPERATES ON A.C. OR D.C.
  - FOR WIRING OF BACKSPACE MAGNET ON LAK KEYBOARD MOUNTED PERFORATORS, REFER TO ASSOCIATED LAK WIRING DIAGRAM.
  - SELECTOR MAGNETS MUST BE STRAPPED FOR 60 MILLIAMPERE OPERATION WHEN 179615 AND 179616 R.F. SUPPRESSION MODIFICATION KITS ARE USED WITH REPERFORATOR SET.
  - ON UNITS EQUIPPED WITH THE 173850 SHIELDED CABLE, THE STRAP BETWEEN TERMINALS C-35 AND C-36 IS OMITTED AND THE "G" WIRE OF THE CABLE IS CONNECTED TO TERMINAL C-35. IF THE UNIT EQUIPPED WITH THE 173850 SHIELDED CABLE IS USED ON A BASE NOT CONTAINING PROVISIONS FOR R.F. SUPPRESSION (INCLUDING BELL SYSTEM) REMOVE THE "G" WIRE FROM TERMINAL C-35 AND ADD STRAP BETWEEN TERMINALS C-35 AND C-36.
  - THE LPR 66 SELECTOR MAGNET ASSEMBLY SHALL BE STRAPPED IN PARALLEL FOR 500 MA OPERATION



**3628WD**

REVISIONS		
ISSUE	DATE	AUTH. NO.
A 2	4-13-59	28-10974
B 3	5-20-59	28-11062-1
C 4	8-4-59	28-11409
5	4-6-60	28-12999
6	5-3-60	28-13251
7	9-7-60	28-13795
8	10-26-60	28-14088
9	12-19-60	28-14370
10	5-19-61	69691
11	5-19-61	69791
12	11-16-61	71633
13	7-10-62	74013
14	2-9-63	75940
15	2-9-63	75958
16	5-31-63	76926
17	12-30-63	79205
18	10-5-64	83406
19	3-31-65	86803
20	1-6-66	89856
21	5-9-66	92891

ACTUAL WIRING DIAGRAM FOR TYPING AND NON-TYPING REPERFORATOR LPE LPE LRPE

**APPROVALS**

D AND R	E OF M
-----	-----

**E-NUMBER**

PROD. NO. 3628WD

DATE 11-17-58

P.D. FILE NO. 14-49.65AA

DRAWN R.B.B. CHKD.

ENGD. D.C.L. APPD.

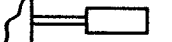
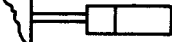
**TELETYPE CORPORATION**

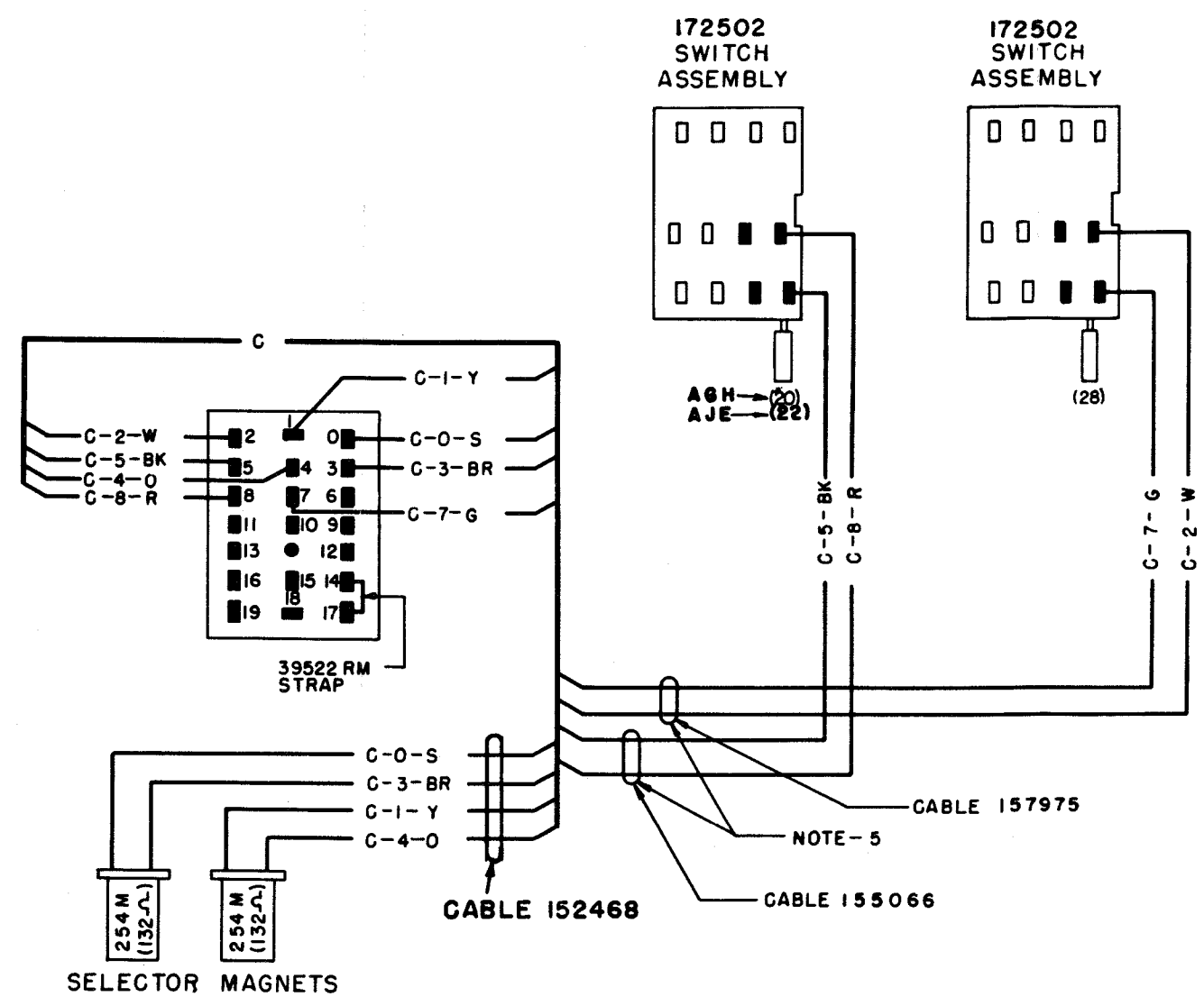
**3628WD**



- NO. NOTES.
1. WIRING CHANNEL DESIGNATED BY "C" DOES NOT REPRESENT CABLE BUT ASSISTS IN TRACING CONNECTIONS.
  2. CHANNEL LEGEND\*
    - CHANNEL IDENTIFICATION
    - CHANNEL WIRE NUMBER
    - WIRE COLOR CODE
  3. COLOR CODE:
 

BK - BLACK	O - ORANGE
R - RED	Y - YELLOW
W - WHITE	S - SLATE
G - GREEN	BR - BROWN
  4. CONNECTORS VIEWED FROM SOLDERED TERMINAL ENDS.
  5. THESE CABLES ARE FURNISHED WITH STUNT BOX.
  6.
 

	NORMALLY OPEN CONTACT
	NORMALLY CLOSED CONTACT



3813 WD



ISSUE	DATE	AUTH NO.
A	1/25/60	28-12605
B	10-14-60	28-13541
C	8-20-62	74211
D	5-20-63	76966

ACTUAL WIRING DIAGRAM MODEL 28

TYPING UNIT LP, 14, 108

STUNT BOX ARRANGT. AGH, AJE

APPROVALS

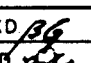
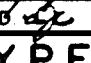
D AND R	E OF M
	

E-NUMBER

PROD. NO. 3813 WD

DATE: 10-10-59

P.D. FILE NO. 5-30.65/120.125A

DRAWN E. M.	CHKD 
ENG. R.H.L.	APPD 

TELETYPE CORPORATION

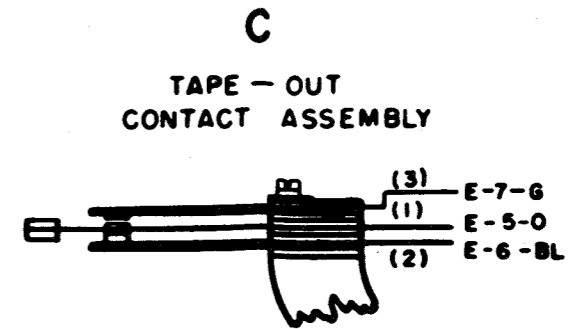
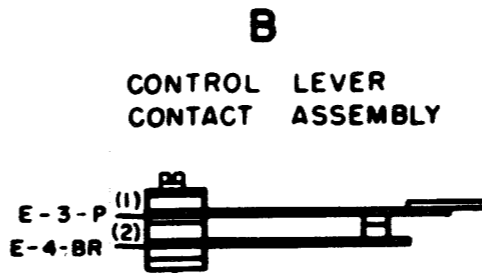
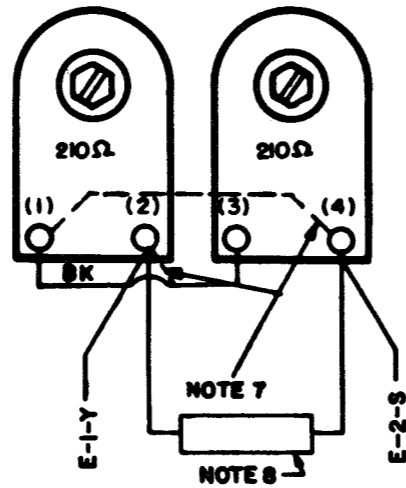
3813 WD

NOTES:

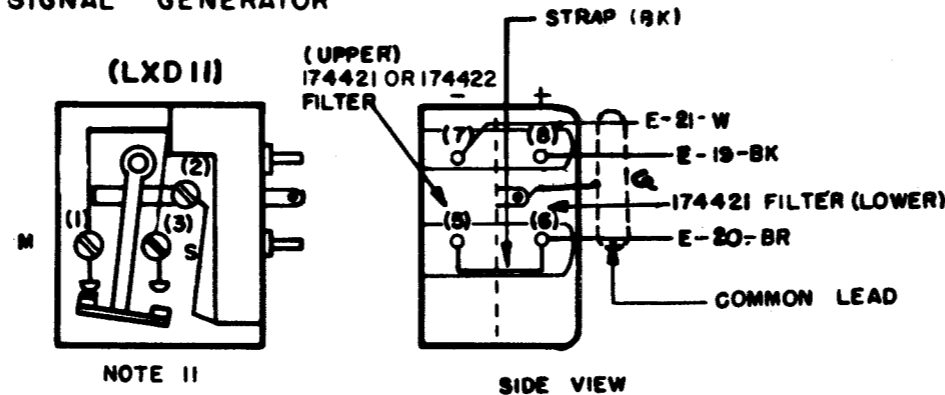
1. **WIRING LEGEND:**  
  
 DISTANT TERMINATING AREA  
 DISTANT TERMINAL DESIGNATION  
 A-I-W  
 WIRING COLOR CODE
2. **COLOR CODE:**  

BK - BLACK	W-BK - WHITE-BLACK
BR - BROWN	W-BR - WHITE-BROWN
R - RED	W-R - WHITE-RED
O - ORANGE	W-O - WHITE-ORANGE
Y - YELLOW	W-Y - WHITE-YELLOW
G - GREEN	W-G - WHITE-GREEN
BL - BLUE	W-BL - WHITE-BLUE
P - PURPLE	W-P - WHITE-PURPLE
S - SLATE	W-S - WHITE-SLATE
W - WHITE	
3. CONNECTORS VIEWED FROM SOLDER TERMINAL ENDS
4. ALL CONTACTS SHOWN IN UNOPERATED POSITION.
5. **ASSOCIATED CABLES:**  
 173440 CABLE ASSEMBLY (LXD 11)  
 307288 CABLE ASSEMBLY (LXD 29,35)
6. THE NUMBERS ENCLOSED BY PARENTHESES ARE USED FOR REFERENCE AND ARE NOT MARKED ON THE PARTS.
7. UNIT EQUIPPED WITH 262 COIL ASSEMBLY (RESISTANCE 210Ω EACH). THE OPERATING CURRENT MUST BE 50 MA. 120V. DC. FOR EXTERNAL PULSING.  
 FOR 110V AC. NON-PULSING OPERATION, RELOCATE STRAP ON TERMINAL (1) TO TERMINAL (2). ADD STRAP BETWEEN TERMINALS (1) AND (4) FOR PARALLEL OPERATION OF MAGNETS.
8. 178535 SPARK SUPPRESSOR ASSEMBLY (153631 NETWORK) USED ON LXD 29 ONLY.
9. TERMINAL NO. 21 ON CONNECTOR E IS RESERVED FOR POLAR SIGNAL.
10. STRAP WITH 22 GAUGE WIRE AS INDICATED.
11. FOR PROPER R.F. FILTERING POLARITY OF FILTERS MUST BE MAINTAINED WHEN 174422 FILTER IS USED. UNIT AS FURNISHED IS WIRED FOR "MARKING" CONTACT POSITIVE (+) "SPACING" CONTACT NEGATIVE (-). TO REVERSE POLARITY OF CONTACTS SO THAT THE "MARKING" CONTACT IS NEGATIVE (-) AND "SPACING" POSITIVE (+) MAKE THE FOLLOWING CONNECTIONS IN CONTACT BOX ASSEMBLY.  
 1. MOVE BLACK LEAD OF BOTTOM FILTER FROM "MARKING" CONTACT TO "SPACING" CONTACT.  
 2. MOVE GREEN LEAD OF TOP FILTER FROM "SPACING" CONTACT TO "MARKING" CONTACT.  
 POLARITY MAY BE DISREGARDED WHEN UNITS ARE FURNISHED WITH 174421 FILTER. COLOR CODING OF FILTER LEADS DOES NOT APPLY TO 174421 FILTER.

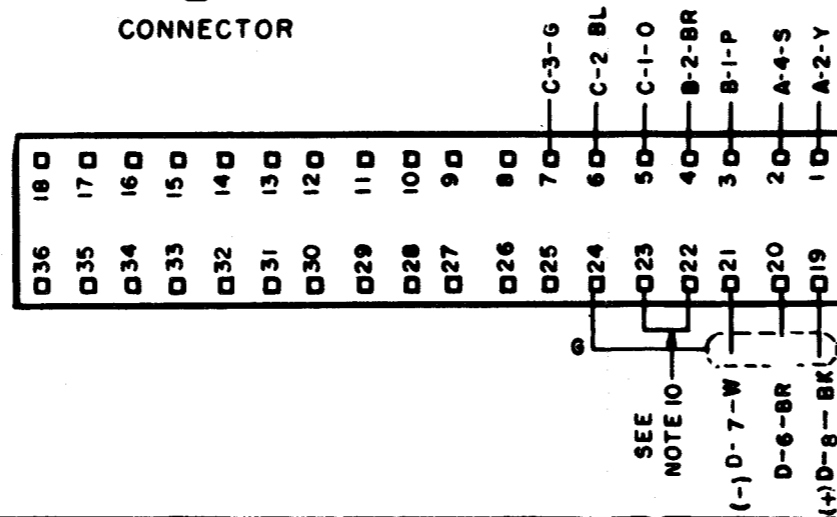
**A**  
 TRANSMITTER DISTRIBUTOR  
 CLUTCH MAGNETS



**D**  
 TRANSMITTER DISTRIBUTOR  
 SIGNAL GENERATOR



**E**  
 CONNECTOR



4264 WD

ISSUE	DATE	AUTH NO
1	9-24-60	CC 94
2	11-18-60	CC-182
3	5-16-62	73431
4	2-20-64	79225-1
5	9-8-64	79225-9
6	3-16-65	79225-10
7	2-16-66	84706
8	9-28-66	91161

ACTUAL  
 WIRING DIAGRAM  
 MODEL 28  
 TRANSMITTER  
 DISTRIBUTOR  
 LXD 11, 29,35

APPROVALS

D AND R  
 E OF M

E-NUMBER  
 PROD. NO. 4264 WD

DATE 6-8-60

P.D. FILE 18-A.65-2.219 A

DRAWN. WPH CHKI

ENGD. DCL APPD.

TELETYPE  
 CORPORATION

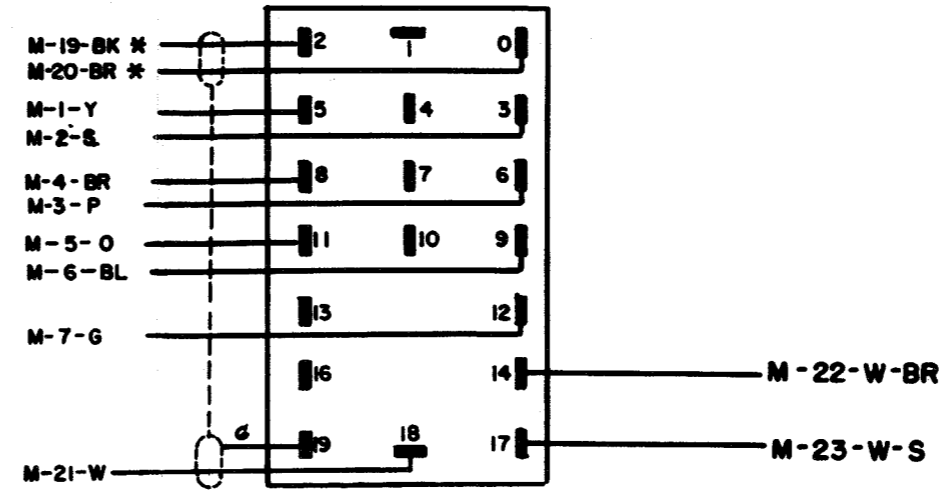
9 4264 WD

4265 WD

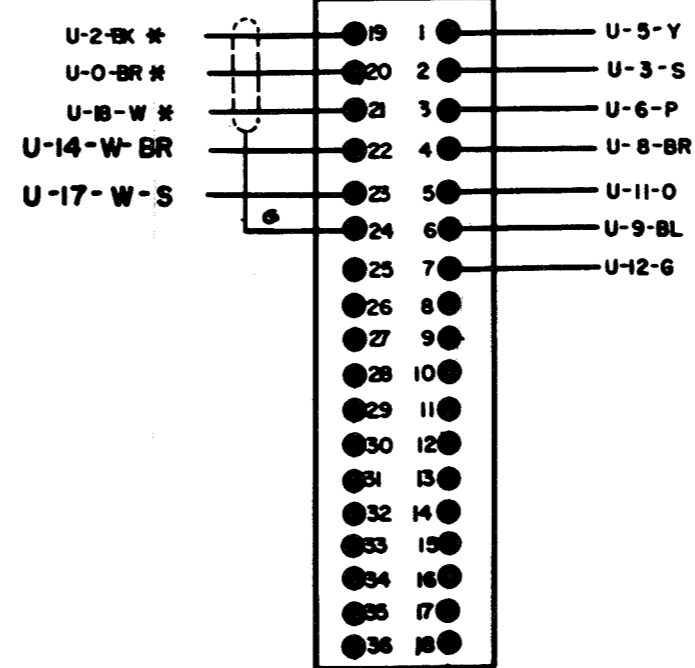
ISSUE	DATE	AUTH. NO.
A	9-28-60	CC-106
B	11-18-60	CC-102
C	1-2-62	72026

NO.	NOTES																
1.	<p><b>WIRING LEGEND</b></p> <p>DISTANT TERMINAL AREA DISTANT TERMINAL DESIGNATED WIRE COLOR</p>																
2.	<p><b>COLOR CODE:</b></p> <table border="0"> <tr> <td>BK</td> <td>BLACK</td> <td>BR</td> <td>BROWN</td> </tr> <tr> <td>Y</td> <td>YELLOW</td> <td>S</td> <td>SLATE</td> </tr> <tr> <td>P</td> <td>PURPLE</td> <td>O</td> <td>ORANGE</td> </tr> <tr> <td>BL</td> <td>BLUE</td> <td>W</td> <td>WHITE</td> </tr> </table>	BK	BLACK	BR	BROWN	Y	YELLOW	S	SLATE	P	PURPLE	O	ORANGE	BL	BLUE	W	WHITE
BK	BLACK	BR	BROWN														
Y	YELLOW	S	SLATE														
P	PURPLE	O	ORANGE														
BL	BLUE	W	WHITE														
3.	CONNECTIONS VIEWED FROM SOLDER TERMINAL ENDS.																
4.	ASSOCIATED CABLE 173448																
5.	ASSOCIATED SCHEMATIC WIRING DIAGRAM 4275WD																
6.	(*) ASTERISK INDICATES 3 WIRE SHIELDED CABLE.																

**U**  
TRANSMITTER BASE  
CONNECTOR (PLUG)



**M**  
TRANSMITTER  
CONNECTOR  
(RECEPTACLE)



**ACTUAL  
WIRING DIAGRAM  
FOR  
LCXB13**

**APPROVALS**

D AND R <i>RAL</i>	E OF M
-----------------------	--------

E-NUMBER

PROD. NO. 4265WD

DATE: 6-23-60

P.D. FILE NO. 18-A65/2219A

DRAWN: NJG	CHKD: <i>[Signature]</i>
ENGD. D. C. L.	APPD: <i>[Signature]</i>

**TELETYPE  
CORPORATION**

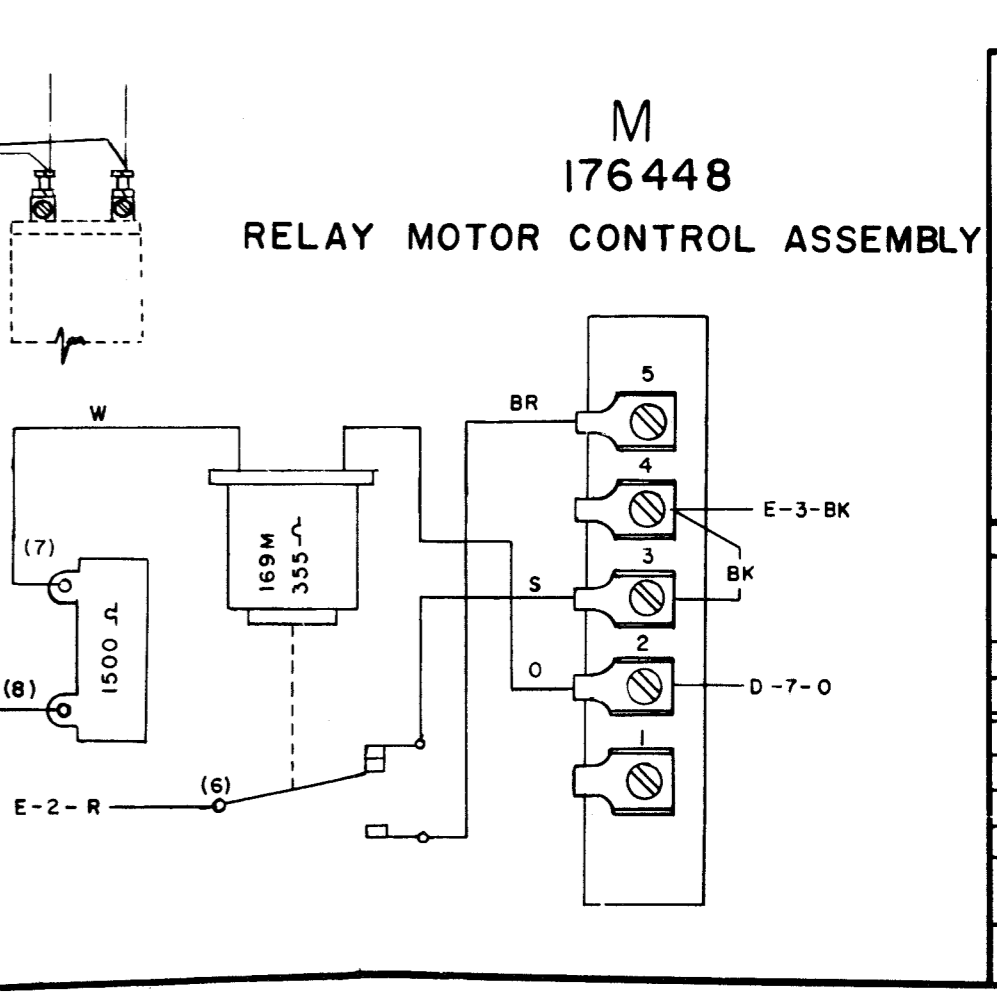
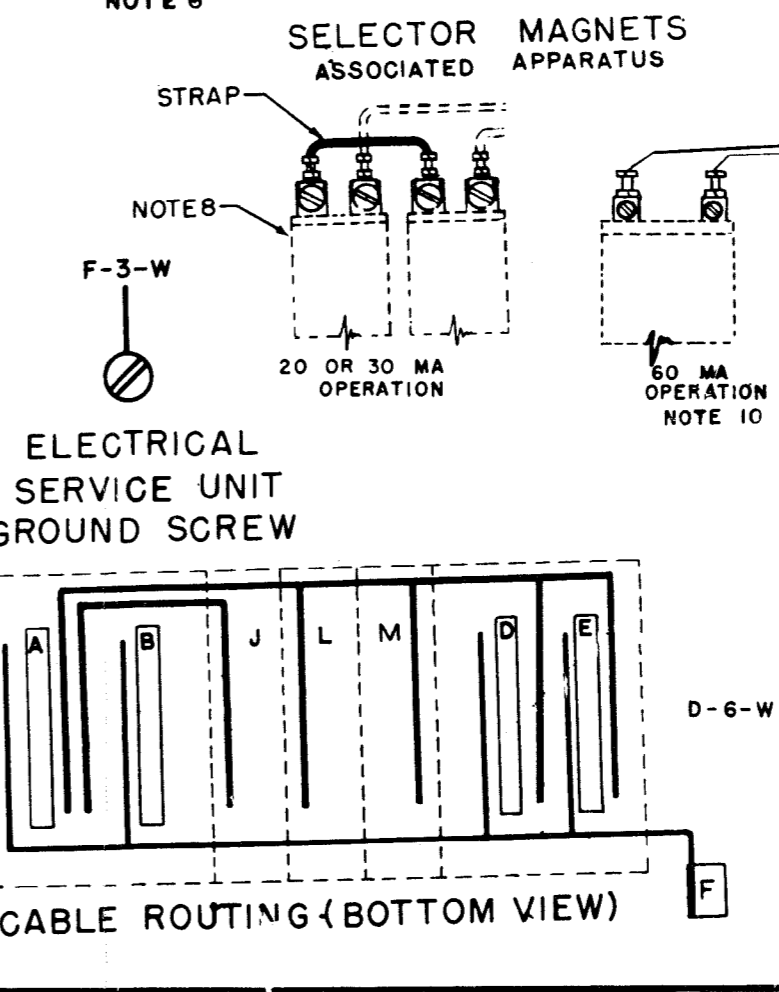
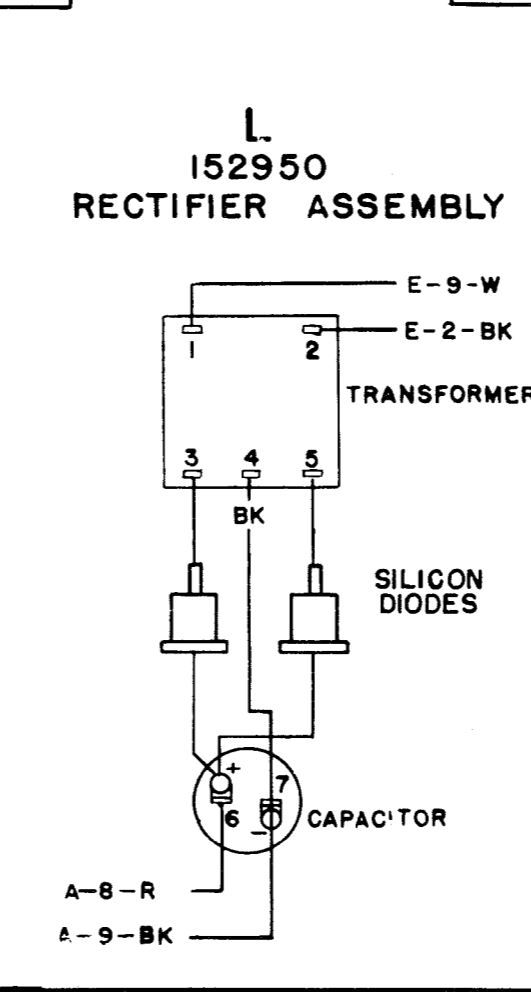
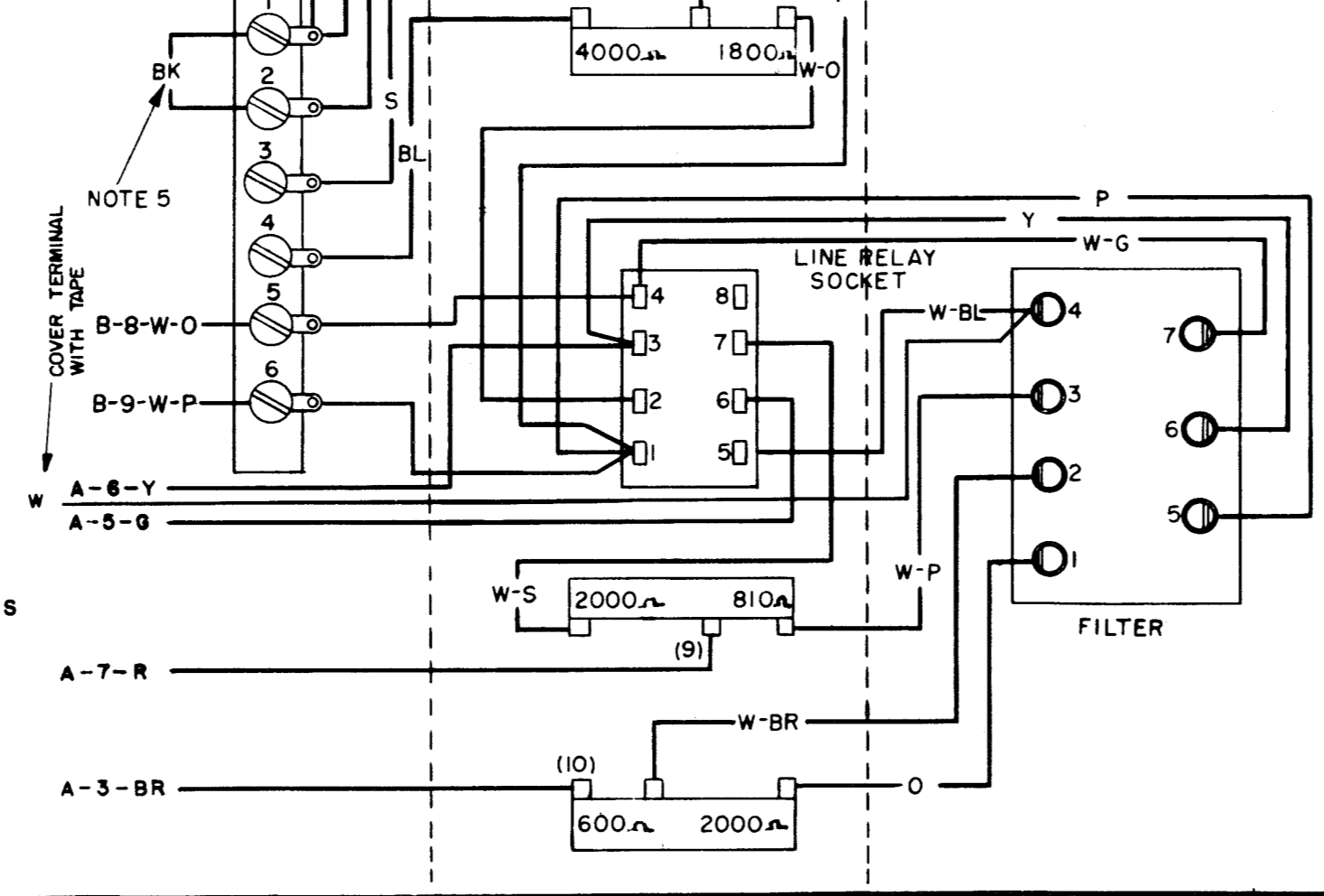
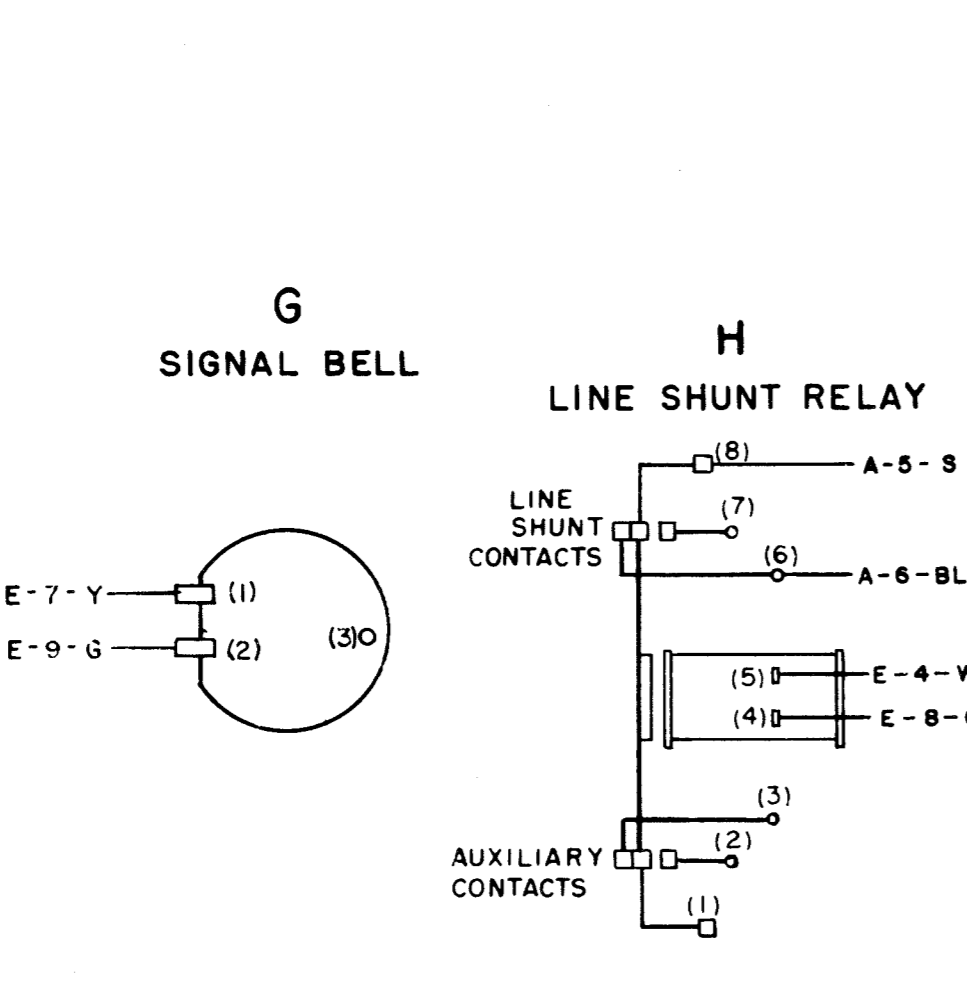
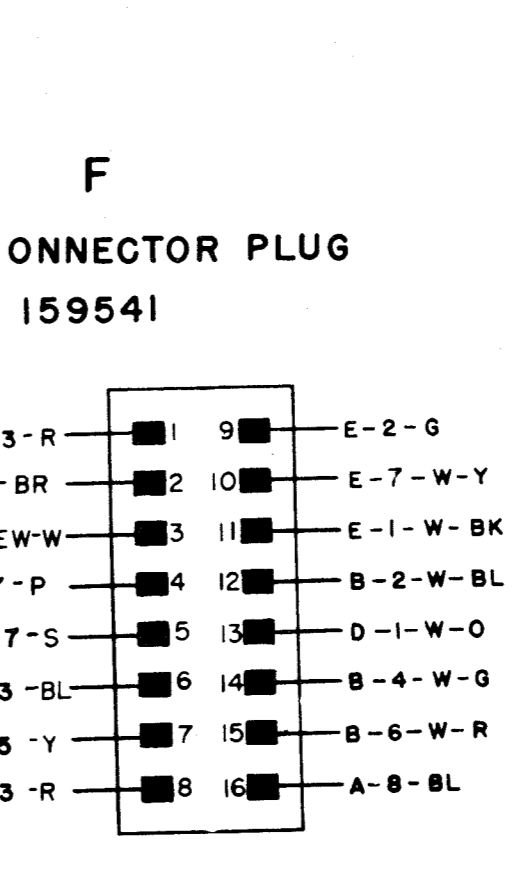
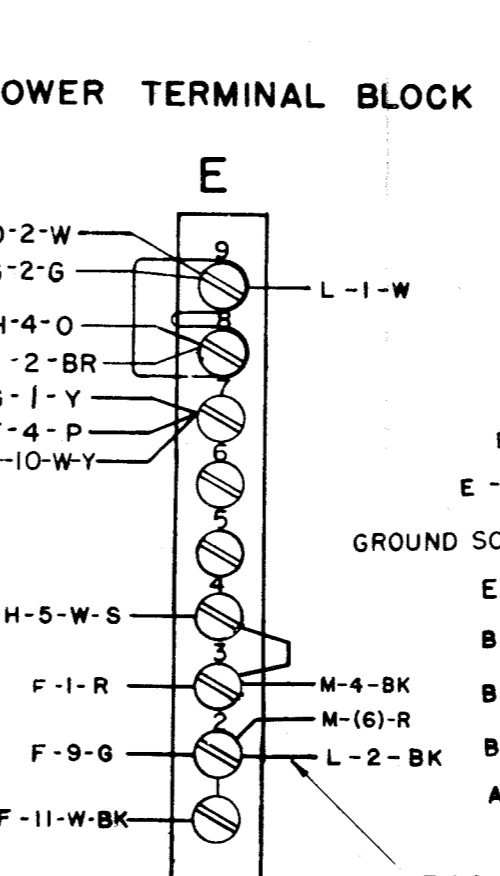
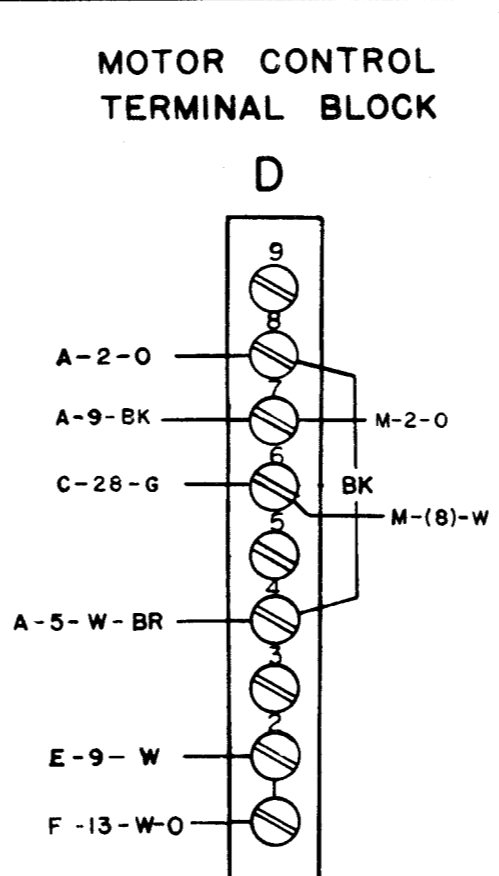
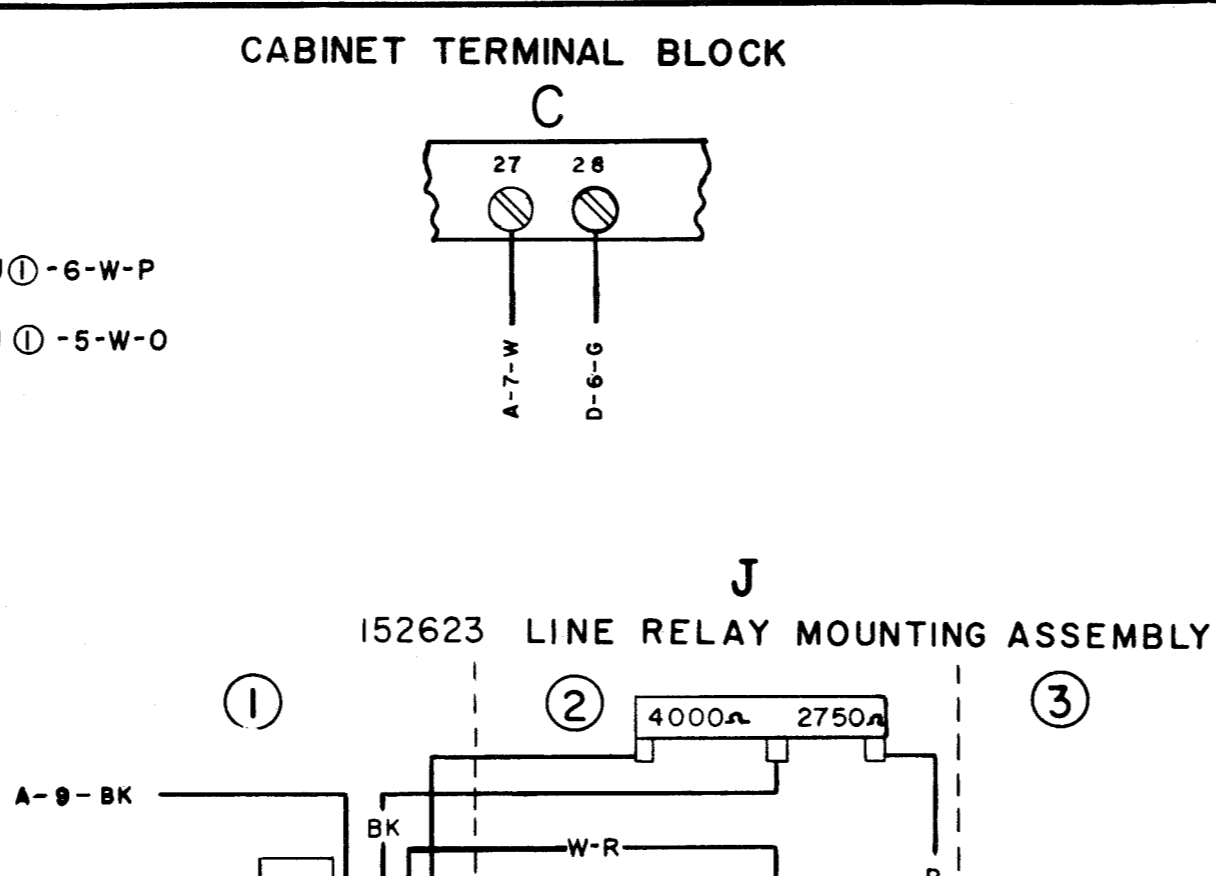
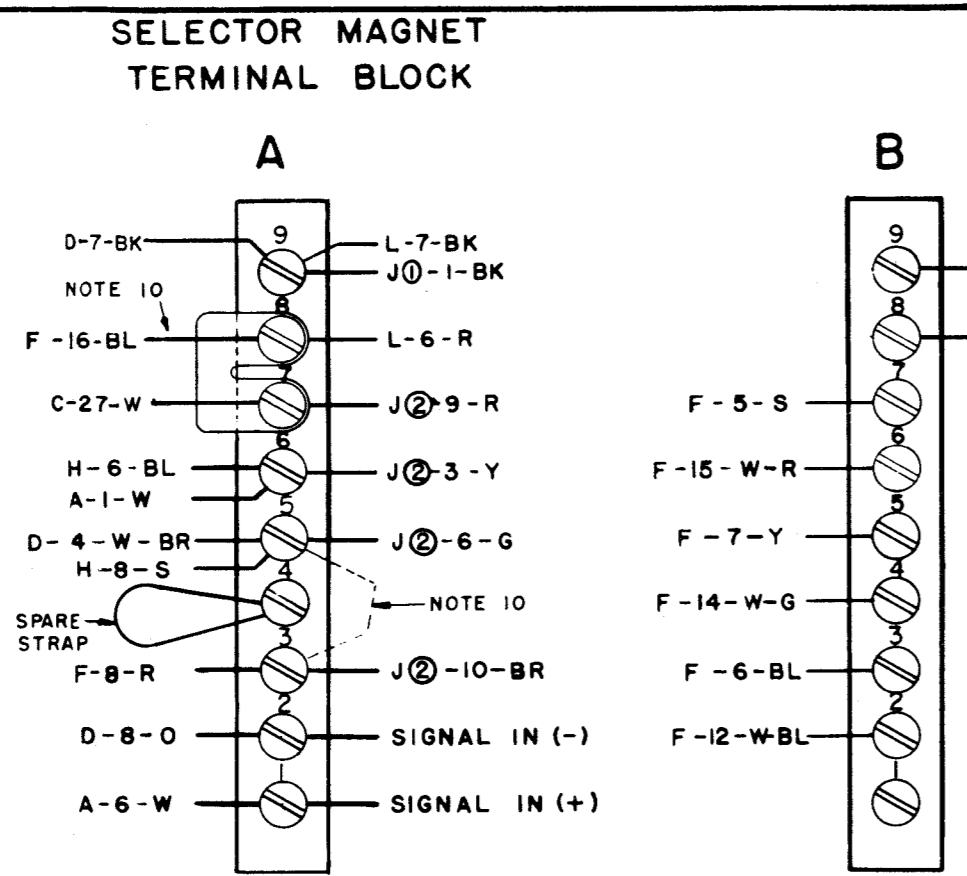
4265 WD

4385WD		
REVISIONS		
ISSUE	DATE	AUTH. NO.
A	8-3-61	70466
B	12-7-61	71860

- NOTES**
- WIRING LEGEND:
    - DISTANT TERMINATING AREA
    - DISTANT TERMINAL DESIGNATION
    - WIRE COLOR CODE
  - COLOR CODE
 

BK - BLACK	W - BK - WHITE - BLACK
BR - BROWN	W - BR - WHITE - BROWN
R - RED	W - R - WHITE - RED
O - ORANGE	W - O - WHITE - ORANGE
Y - YELLOW	W - Y - WHITE - YELLOW
G - GREEN	W - G - WHITE - GREEN
BL - BLUE	W - BL - WHITE - BLUE
P - PURPLE	W - S - WHITE - SLATE
W - WHITE	
S - SLATE	
  - UNIT WIRED FOR 115 VOLTS 50 TO 60 CYCLE A.C. POWER INPUT ONLY.
  - CONNECTOR VIEWED FROM SOLDER TERMINAL END.
  - CIRCUITS SHOWN FOR .060 AMP NEUTRAL SIGNAL LINE OPERATION. FOR .020 AMP OPERATION REMOVE AND ADD CONNECTIONS AS TABULATED BELOW.
 

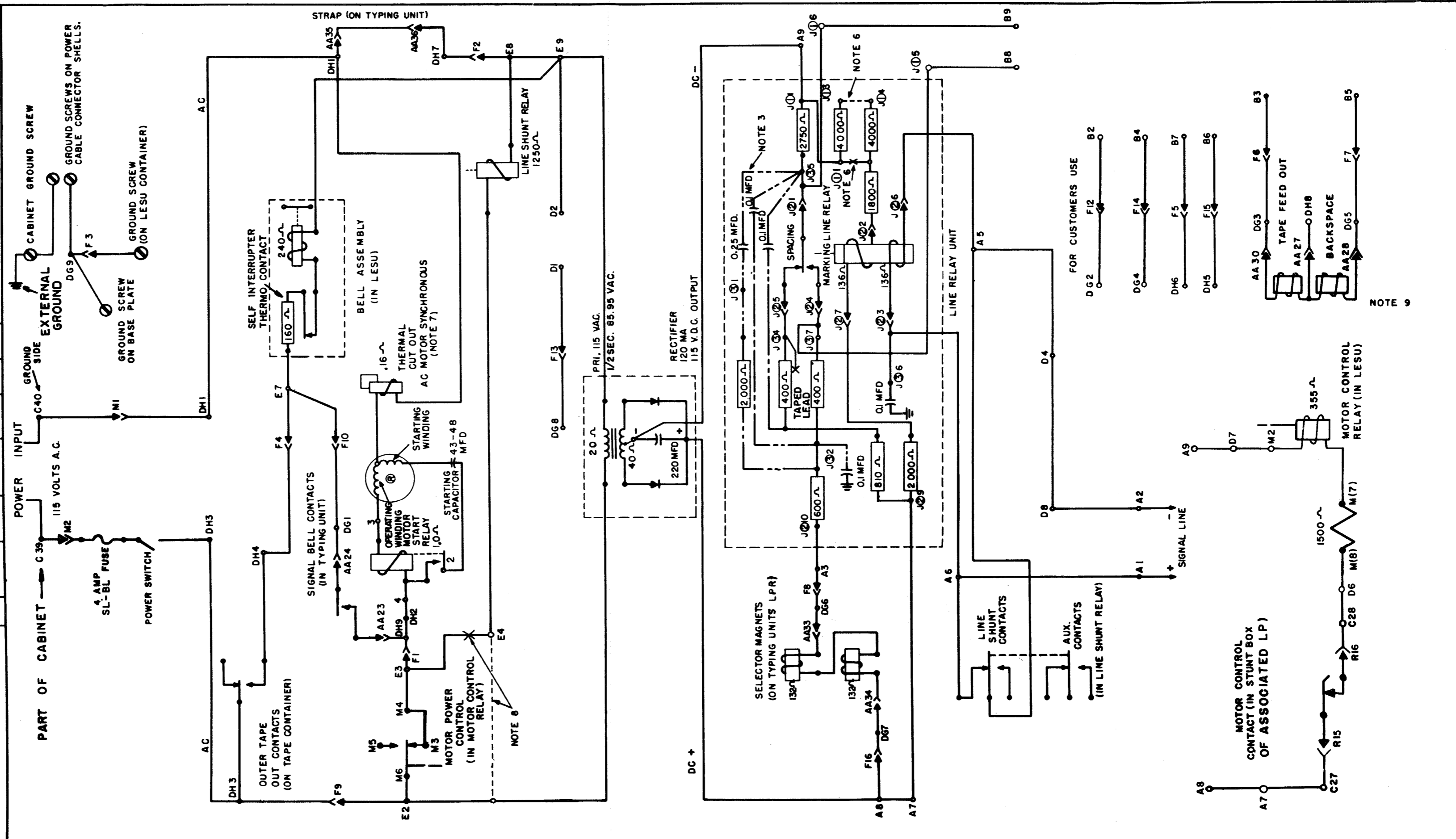
SIGNAL LINE CURRENT	CONNECTION REMOVED	CONNECTION ADDED
.020 AMP	J ① - J ②	J ③ - J ④
  - RECTIFIER SHOWN CONTROLLED BY POWER SWITCH. FOR CONTINUOUS OPERATION REMOVE LEAD L-2-BK FROM TERMINAL E-2 AND CONNECT TO TERMINAL E-1.
  - LINE SHUNT RELAY SHOWN CONTROLLED BY POWER SWITCH AND MOTOR CONTROL RELAY.
  - SELECTOR MAGNETS ARE TO BE WIRED AS SHOWN FOR 30 MILLIAMPERE OPERATION WHEN THE LINE RELAY IS USED.
  - ASSOC. CABLE NUMBERS.
    - 176447 CABLE ASSEM., MOTOR CONTROL.
    - 159939 CABLE ASSEM., LESU 73
    - 153477 CABLE ASSEM., RECTIFIER
    - 164030 CABLE ASSEM., LINE RELAY MTG. ASSEM.
  - SELECTOR MAGNETS CAN BE CONNECTED DIRECTLY IN THE SIGNAL LINE CIRCUIT FOR NEUTRAL OPERATION AS FOLLOWS:
    - REMOVE LINE RELAY
    - 20 MILLIAMPERE, 60 & 75 WPM OPERATION (OR ANY INTERMEDIATE SPEED)
    - A STRAP AS TO A3
    - B MOVE BLUE LEAD FROM TERMINAL A8 TO TERMINAL A6.
    - 60 MILLIAMPERE, 60, 75 & 100 WPM OPERATION (OR ANY INTERMEDIATE SPEED)
    - A & B SAME AS ABOVE
    - C CHANGE WIRING ON SELECTOR MAGNETS FOR 60 MILLIAMPERE OPERATION.



ACTUAL WIRING DIAGRAM MODEL 28 ELECT. SERVICE UNIT 73

D AND B	E OF M
E-NUMBER	
PROD. NO. 4385 WD	
DATE	
P.D. FILE NO.	
DRAWN D.W.7 THK.	
ENGD. E.F.D.	APPD. <i>[Signature]</i>
TELETYPE CORPORATION	
4385WD	

- NOTES**
- FOR ACTUAL WIRING DIAGRAMS OF INDIVIDUAL UNITS SEE WD NUMBER UNITS DIRECTLY OPERABLE WITH LESU 73  
 4385 WD ELECTRICAL SERVICE UNIT LESU 73  
 2900 WD MOTOR UNITS—LMU 3,4,6  
 3590 WD TYPING REPERFORATOR BASE LRB 5, LRB 6
  - LEGEND**  
 • DG TERMINAL BLOCK (ON BASE)  
 • DH TERMINAL BLOCK (ON BASE)  
 ▲ F 16-POINT CONNECTOR  
 • A TERMINAL BLOCK (IN LESU)  
 • B TERMINAL BLOCK (IN LESU)  
 • D TERMINAL BLOCK (IN LESU)  
 • E TERMINAL BLOCK (IN LESU)  
 • J ① TERMINAL STRIP ON LINE RELAY (IN LESU)  
 ▲ J ② LINE RELAY CONNECTOR (IN LESU)  
 • J ③ LINE RELAY FILTER (IN LESU)  
 ▲ AA 36 POINT CONNECTOR (ON BASE)  
 • C CABINET TERMINAL BLOCK  
 • M MOTOR CONTROL RELAY (IN LESU)
  - DOT-DASH(---) LINES INDICATE FILTERING SHIELDING AND SUPPRESSION NETWORKS.
  - ALL APPARATUS IS SHOWN IN UNOPERATED OR DE-ENERGIZED POSITIONS.
  - ( $\Omega$ ) RESISTANCE VALUES IN OHMS-( $\mu$ )  
 (L) INDUCTANCE VALUES IN MICROHENRIES (MH)  
 (C) CAPACITANCE VALUES IN MICROFARADS (MFD)
  - CIRCUITS SHOWN FOR .060 AMP. NEUTRAL SIGNAL LINE OPERATION. FOR .020 AMP LINE CURRENT, ADD DASH LINE (---) CONNECTION AND OMIT CONNECTION MARKED (\*) IN LINE RELAY.
  - USE SYNCHRONOUS MOTOR ON REGULATED 60~ ( $\pm 1\%$ ) AC POWER ONLY. GOVERNED MOTORS AND OTHER POWER CIRCUITS OPERABLE ON 50 TO 60~ UNREGULATED A.C.
  - LINE SHUNT RELAY SHOWN CONTROLLED BY POWER SWITCH AND MOTOR CONTROL RELAY. FOR CONTROL OF LINE SHUNT BY POWER SWITCH ONLY REMOVE CONNECTION MARKED (\*) AND ADD DASH LINE (---) CONNECTION.
  - TAPE FEED OUT AND/OR BACKSPACE MAGNETS ARE AVAILABLE ONLY WITH SPECIFIC CODED LPR UNITS.



**4386WD**

REVISIONS		
ISSUE	DATE	AUTH. NO.
A	8-3-61	70466
B	12-7-61	71860
C	11-4-63	78862

**SCHEMATIC DIAGRAM FOR MODEL 28 ELECTRICAL SERVICE UNIT LESU 73**

ASSOCIATED UNITS  
 LMU MOTOR UNIT  
 LP TYPING UNIT  
 LPR TYPING REPERFORATOR  
 LRB REPERFORATOR BASE

**APPROVALS**

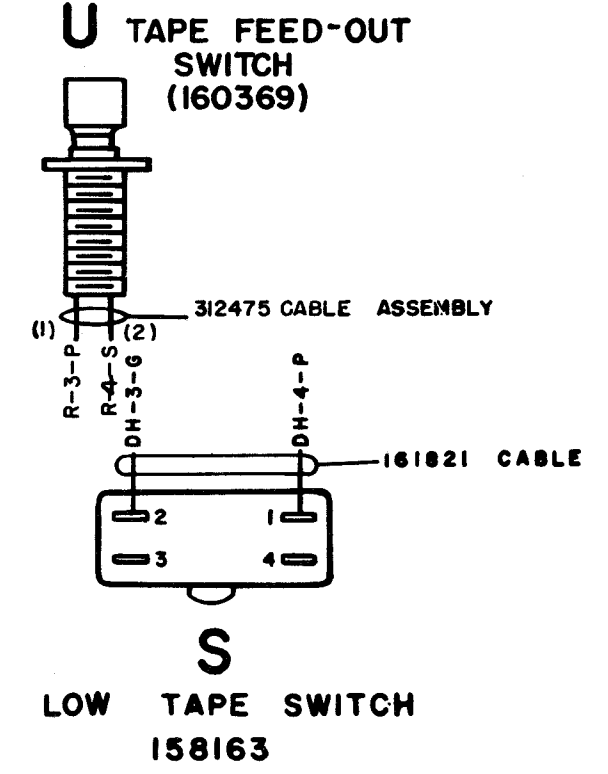
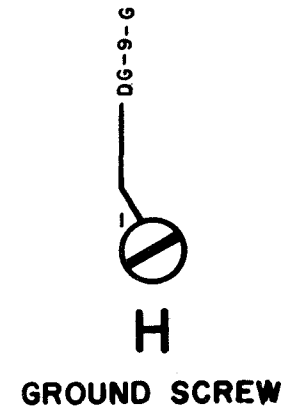
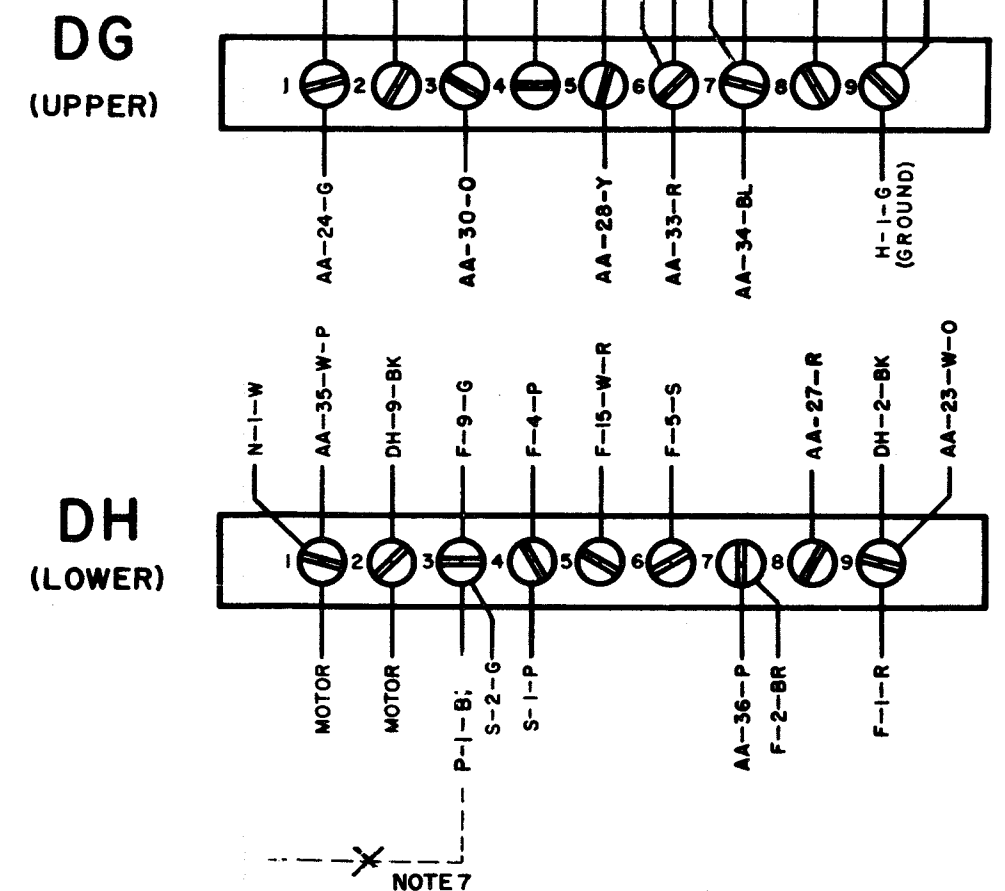
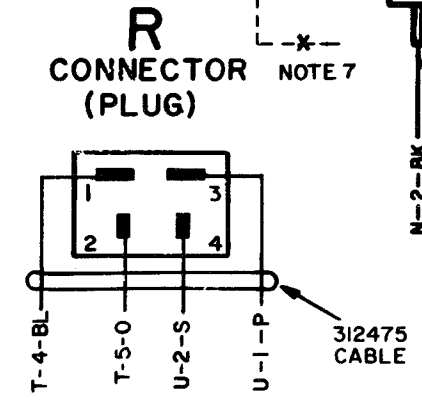
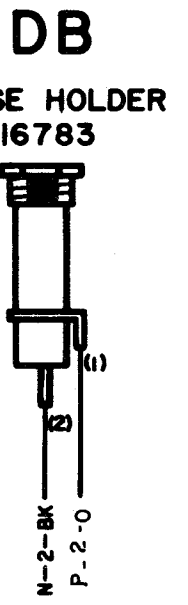
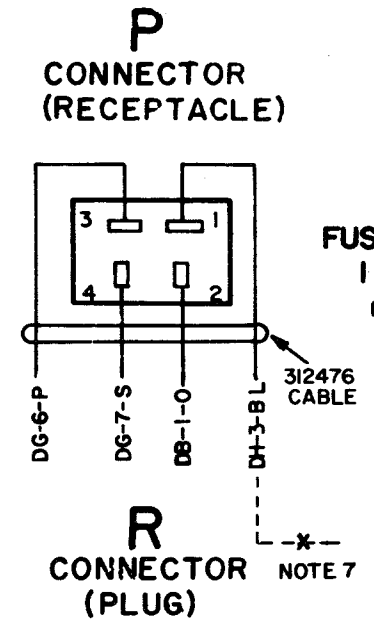
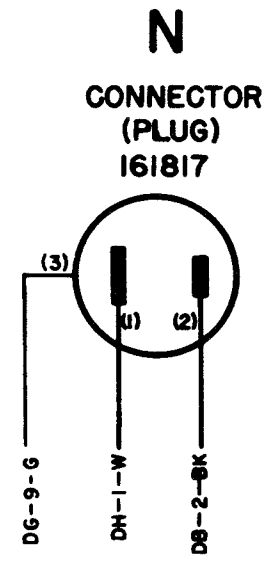
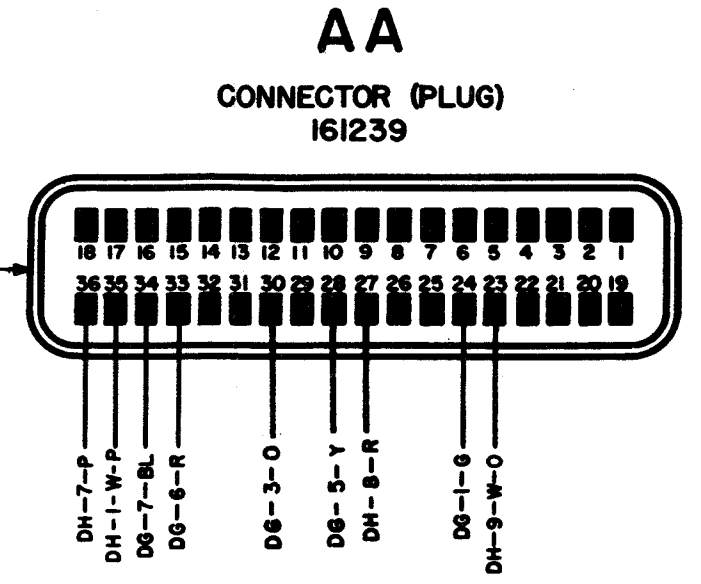
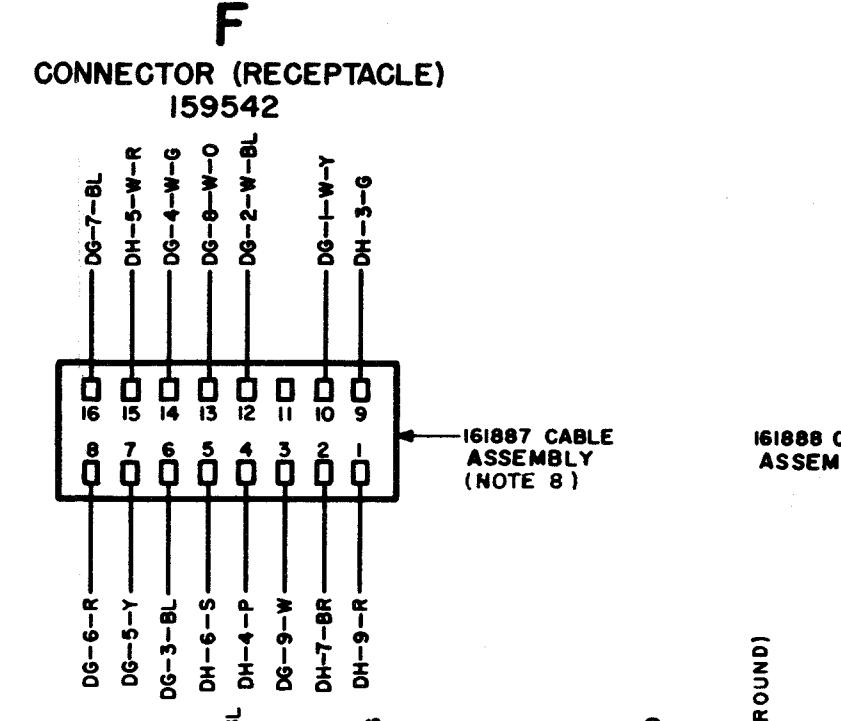
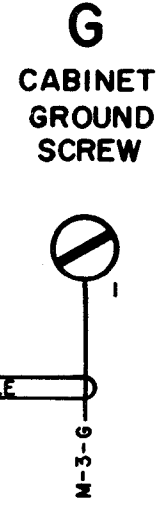
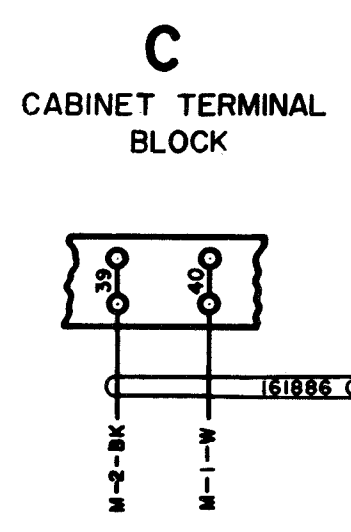
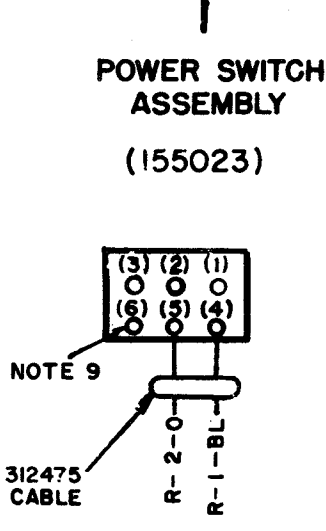
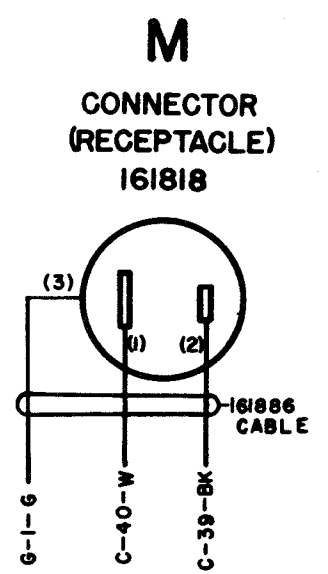
E. NUMBER  
 PROD. NO. 4386WD

DATE:  
 P.D. FILE NO  
 DRAWN D.M.E. CHKD  
 ENGD. E.F.D. APPD. EAC

**TELETYPE CORPORATION**

**4386WD**

- NO** **NOTES**
1. **WIRING LEGEND:**  
  
 DISTANT TERMINATING AREA  
 DISTANT TERMINATING DESIGNATION  
 WIRE COLOR CODE  
 AB-2-W
2. **COLOR CODE:**
- |            |                  |
|------------|------------------|
| BK - BLACK | W-BK WHITE-BLACK |
| BR - BROWN | W-BR WHITE-BROWN |
| R - RED    | W-R WHITE-RED    |
| O - ORANGE | W-O WHITE-ORANGE |
| Y - YELLOW | W-Y WHITE-YELLOW |
| G - GREEN  | W-G WHITE-GREEN  |
| BL - BLUE  | W-BL WHITE-BLUE  |
| S - SLATE  | W-S WHITE-SLATE  |
| P - PURPLE | W-P WHITE-PURPLE |
| W - WHITE  |                  |
3. ALL CONNECTORS VIEWED FROM SOLDER END.
4. TERMINAL DESIGNATIONS ENCLOSED IN PARENTHESIS ARE NOT MARKED ON COMPONENTS.
5. FOR SCHEMATIC WIRING DIAGRAM SEE 3591 WD.
6. ASSOCIATED CABLE ASSEMBLIES 161886, 161887, 161888, 312475 AND 312476
7. MAKE THIS CONNECTION BY (SPICE, SOLDER, AND TAPE) BLACK LEAD FROM 161887 CABLE ASSEMBLY AND BLUE LEAD FROM 312476 CABLE ASSEMBLY.
8. TIE BLACK JUMPER WIRE BACK IN CABLE.
9. COVER TERMINAL T-6 WITH A 155753 INSULATING SLEEVE.



**4447WD**

REVISIONS		
ISSUE	DATE	AUTH. NO.
2	11-10-61	71589
3	1-9-63	75680
4	6-15-64	82627
5	8-25-65	87056
6	10-18-65	89167
7	4-19-66	90365

**APPROVALS**

D AND E E OF M

**E-NUMBER**

PROD. NO. 4447WD

**ACTUAL WIRING DIAGRAM MODEL 28 REPERFORATOR BASE, LRB 36, LRB 42 LRB 51**

DATE:

P.D. FILE NO. 8-A65AA

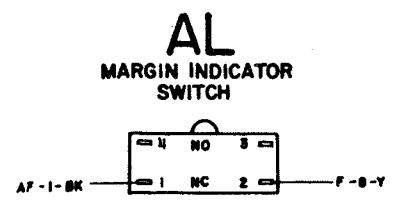
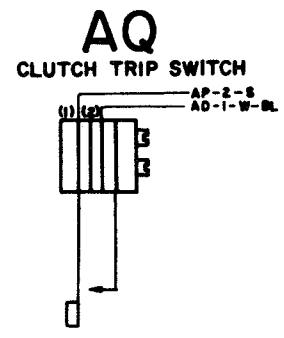
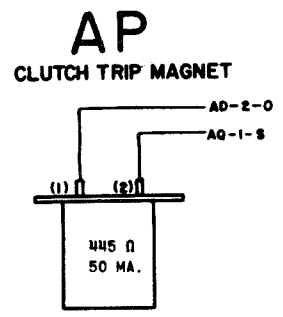
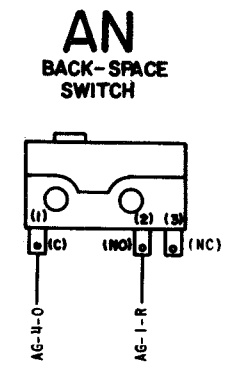
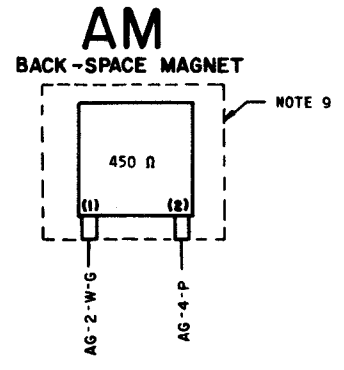
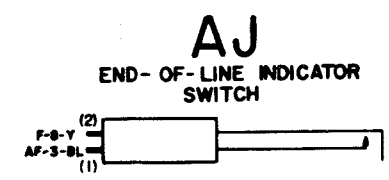
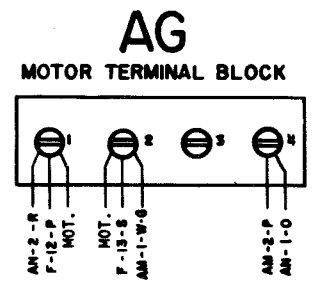
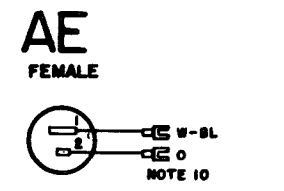
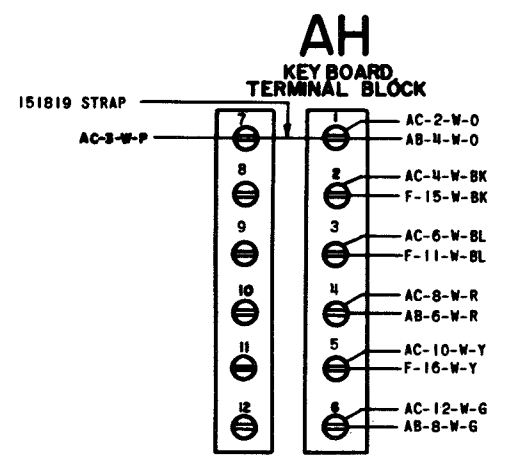
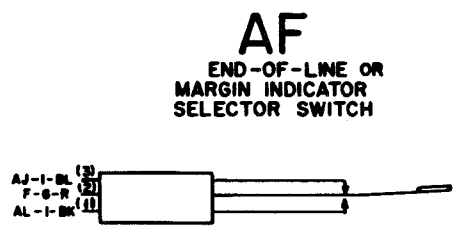
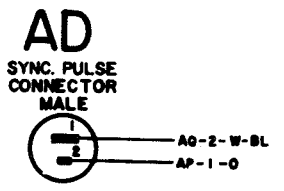
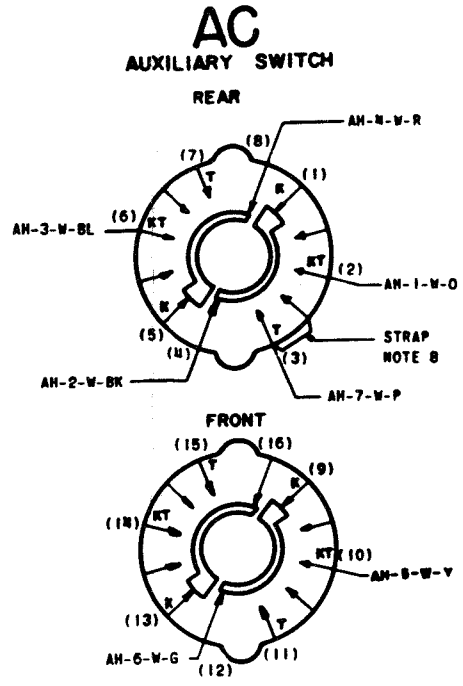
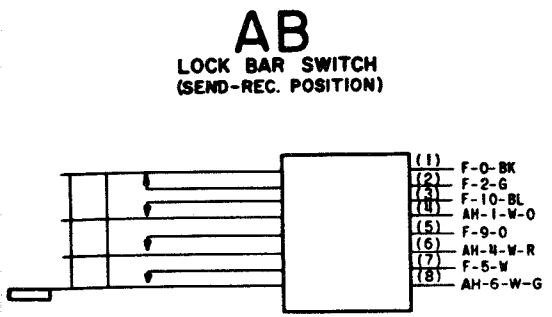
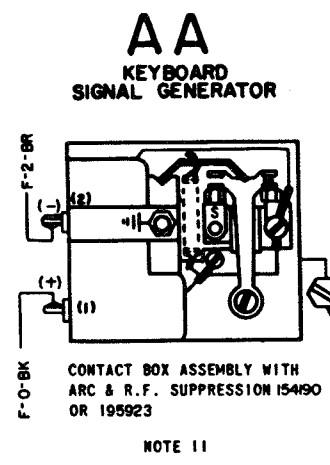
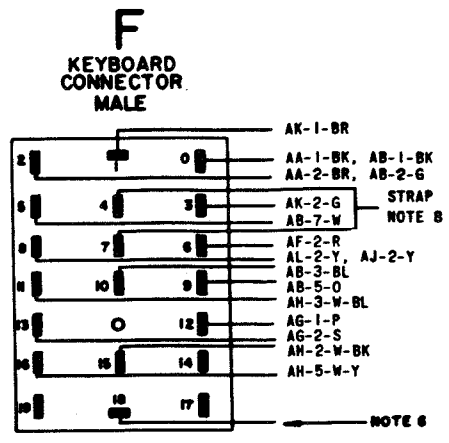
DRAWN: G.F.M. CHD: 3-62

ENG. D.A.K. APPR. 6-62

**TELETYPE CORPORATION**

**4447WD**

NO.	NOTES
1.	<b>WIRING LEGEND:</b> 
2.	<b>COLOR CODE</b> BK - BLACK      G - GREEN BR - BROWN    BL - BLUE R - RED        P - PURPLE O - ORANGE    W - WHITE Y - YELLOW     S - SLATE
3.	UNIT WIRED FOR 115 VOLTS 50-60 CYCLE AC POWER INPUT.
4.	CONNECTORS VIEWED FROM SOLDER TERMINAL ENDS.
5.	ALL CONTACTS SHOWN IN UNOPERATED POSITION IN KEYBOARD.
6.	SPARE TERMINAL OF F-18 RESERVED FOR POLAR OPERATION OF KEYBOARD SIGNAL GENERATOR.
7.	<b>ASSOCIATED CABLES:</b> 158224 CABLE ASSEMBLY, AUXILIARY 158249 CABLE ASSEMBLY, KEYBOARD 155992 CABLE ASSEMBLY, BACKSPACE 159343 CABLE ASSEMBLY, BACKSPACE MAGNET 179362 CABLE ASSEMBLY, SYNC. PULSE
8.	BARE WIRE STRAP 39522RM
9.	PART OF ASSOCIATED UNIT (LPE, LPR, LRPE, OR LTPE)
10.	UNCOIL, ROUTE, AND CONNECT 179362 CABLE TO TWO OPEN CABINET TERMINALS, TYING UP ANY SLACK
11.	POLARITY MUST BE MAINTAINED ONLY WHEN 154190 FILTER IS USED. POLARITY MAY BE DISREGARDED WHEN 195923 FILTER IS USED.



4927 WD

REVISIONS		
ISSUE	DATE	AUTH. NO.
1	4-9-64	79225-5
2		
3		
4		

ACTUAL WIRING DIAGRAM FOR MODEL 28 KEYBOARD BASE LAK31

APPROVALS	
D AND R	E OF M
-----	-----
E-NUMBER	
PROD. NO. 4927WD	
DATE 12-15-61	
P.D. FILE NO.	
DRAWN R.L.W.	CHKD. F.G.S.
ENGD. E.F.D.	APPD. E.J.C.

TELETYPE CORPORATION

4927 WD

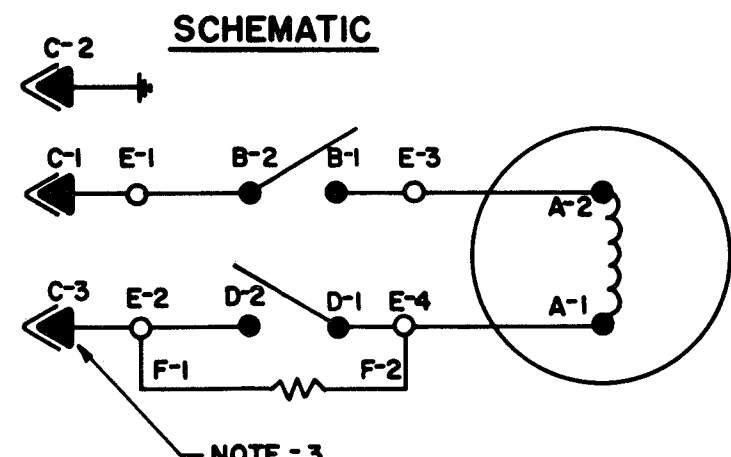
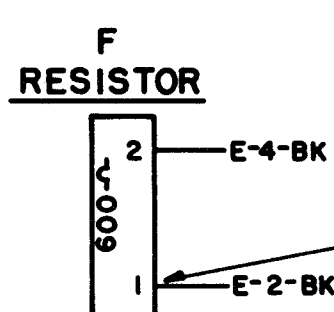
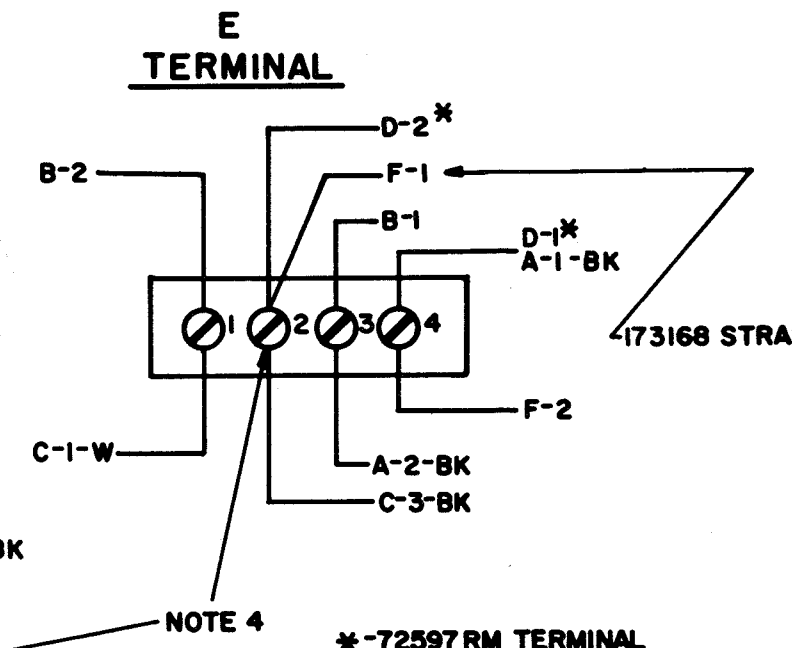
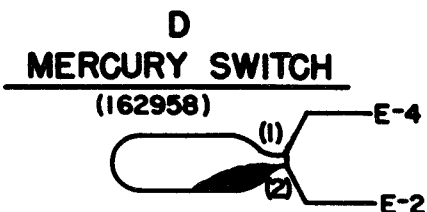
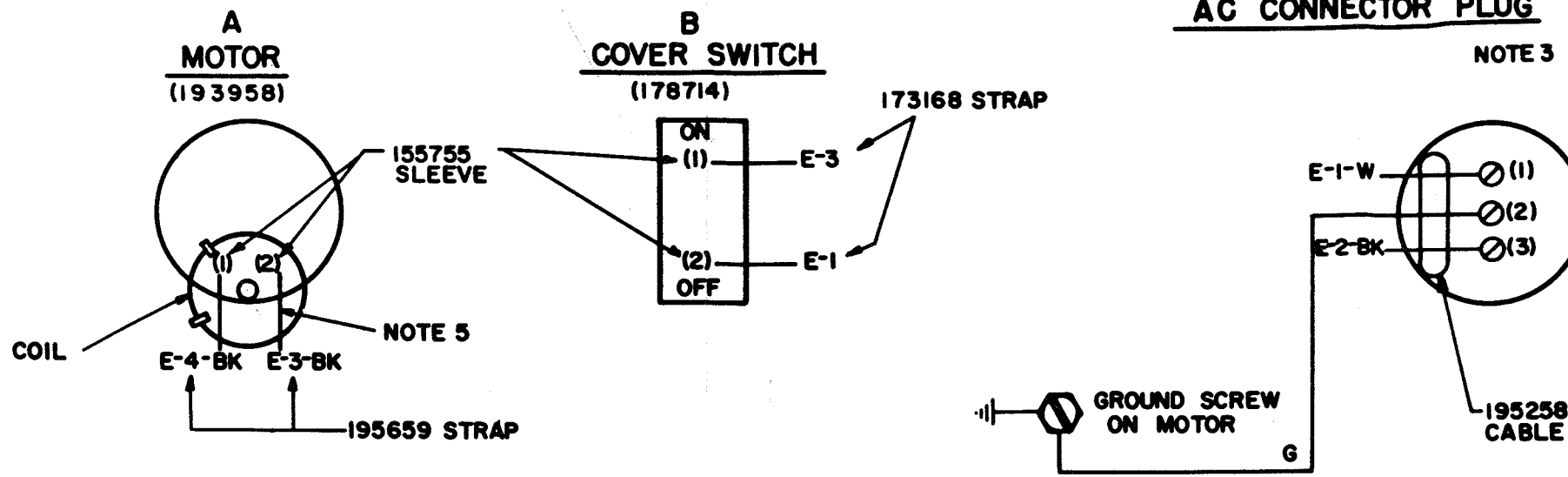
5830 WD

REVISIONS

ISSUE	DATE	AUTH. NO.
2	11-8-62	75064
3	11-27-62	75207
4	1-10-63	75653
5	4-22-63	76601
6	12-23-63	77313

NOTES

- WIRING LEGEND**  
  
 DISTANT TERM. AREA  
 DISTANT TERM. DESIG.  
 WIRE COLOR CODE
- COLOR CODE:**  
 R-RED W-WHITE BK-BLACK
- MATING CONNECTOR 114466 IS FURNISHED WITH UNIT. WIRING BETWEEN A.C. POWER AND 114466 IS TO BE PROVIDED IN FIELD AT INSTALLATION TIME.
- REMOVE AND TAPE RESISTOR LEADS WHEN LPW300 IS OPERATED WITH MODEL 32 AND 33 PAGE PRINTERS.
- MOTOR OPERATES ON 50-60 CYCLE 110 V.A.C.
- THE NUMBERS ENCLOSED BY PARENTHESES ARE USED FOR REFERENCE AND ARE NOT SHOWN ON THE PART.



ACTUAL AND SCHEMATIC WIRING DIAGRAM OF LPW 300

**APPROVALS**  
 D AND R: *HJK* E OF M: *[Signature]*

E-NUMBER  
 PROD. NO. 5830 WD

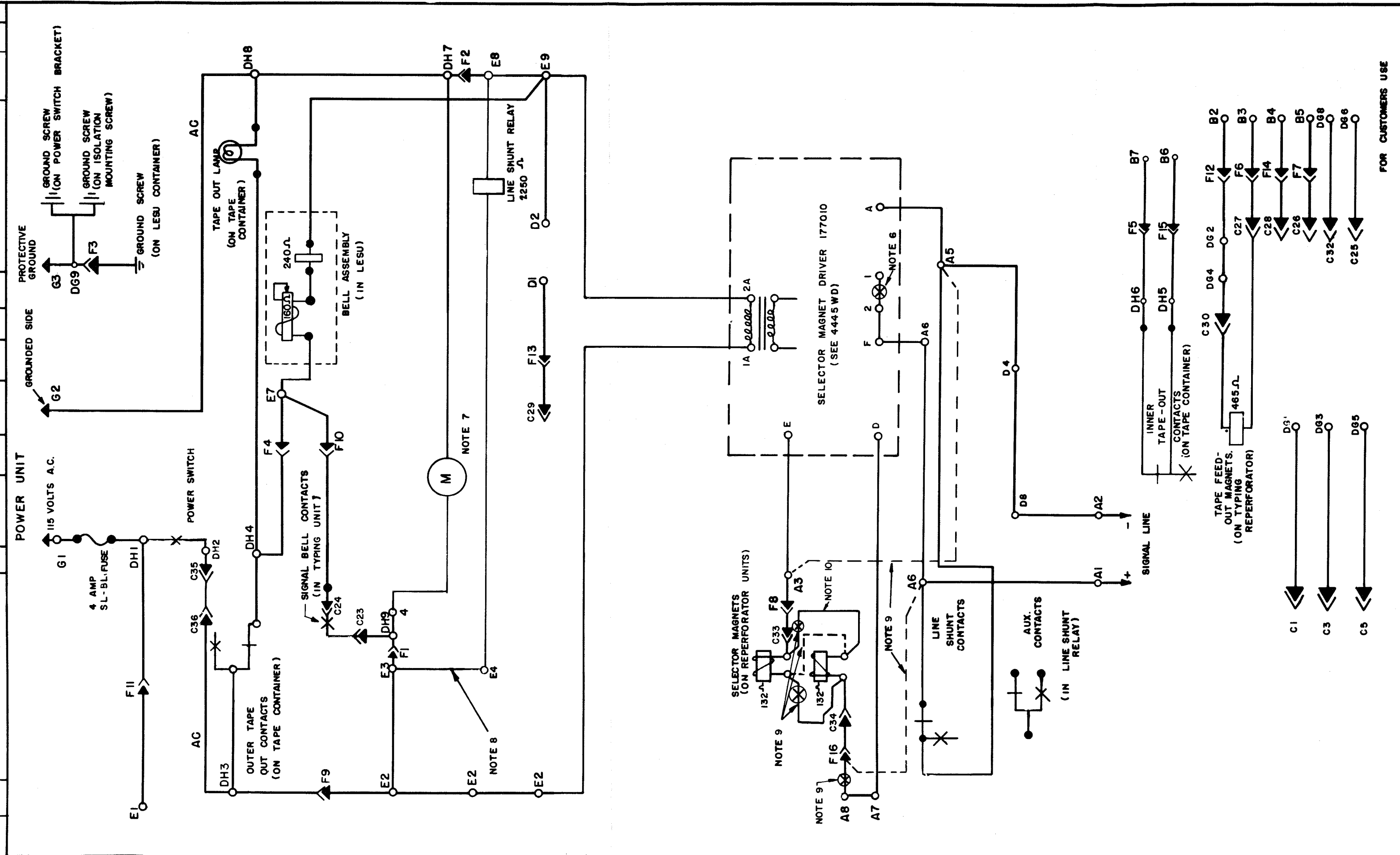
DATE: 5-22-62  
 P.D FILE NO. 13-99AAA

DRAWN TJM CHKD. *[Signature]*  
 ENGR. JCF APPD. *[Signature]*

**TELETYPE CORPORATION**  
 5830 WD



NO.	NOTES
1.	<p>WIRING DIAGRAMS OF INDIVIDUAL UNITS</p> <p>UNITS DIRECTLY OPERABLE WITH LESU96</p> <p>4445WD SELECTOR MAGNET DRIVER-177010</p> <p>5930WD ELECTRICAL SERVICE UNIT LESU96</p> <p>2900WD MOTOR UNITS - L.M.U. 3,4,6.</p> <p>3736WD TYPING REPERFORATOR BASE LRB 21</p> <p>3628WD TYPING AND NON-TYPING REPERFORATOR</p>
2.	<p>LEGEND</p> <p>△ C 36 POINT CONNECTOR</p> <p>△ G 3-POINT CONNECTOR (ON BASE)</p> <p>○ DG TERMINAL BLOCK (ON BASE)</p> <p>○ DH TERMINAL BLOCK (ON BASE)</p> <p>△ F 16-POINT CONNECTOR</p> <p>○ A TERMINAL BLOCK (IN LESU)</p> <p>○ B TERMINAL BLOCK (IN LESU)</p> <p>○ D TERMINAL BLOCK (IN LESU)</p> <p>○ E TERMINAL BLOCK (IN LESU)</p> <p>— N.C. CONTACT</p> <p>—* N.O. CONTACT</p>
3.	DOT-DASH (---) LINES INDICATE FILTERING, SHIELDING AND SUPPRESSION NETWORKS.
4.	ALL APPARATUS IS SHOWN IN UNOPERATED OR DE-ENERGIZED POSITIONS.
5.	(A) RESISTANCE VALUES IN OHMS (—) (B) INDUCTANCE VALUES IN MICRohenRIES (MH) (C) CAPACITANCE VALUES IN MICROFARADS (MFD)
6.	CIRCUITS SHOWN FOR .060 AMP. NEUTRAL SIGNAL LINE OPERATION. FOR .020 AMP LINE CURRENT, OMIT CONNECTION MARKED (⊖) IN SELECTOR MAGNET DRIVER.
7.	USE SYNCHRONOUS MOTOR ON REGULATED 60 Hz (±1%) A.C. POWER ONLY. GOVERNED MOTORS AND OTHER POWER CIRCUITS OPERABLE ON 50 TO 60 Hz UNREGULATED A.C.
8.	LINE SHUNT RELAY WHICH SHUNTS SELECTOR MAGNET DRIVER INPUT IS SHOWN CONTROLLED BY POWER SWITCH.
9.	<p>FOR SPECIAL APPLICATIONS SELECTOR MAGNETS CAN BE OPERATED DIRECTLY IN A NEUTRAL SIGNAL LINE AS FOLLOWS:</p> <p>COMPLETELY DISCONNECT SELECTOR MAGNET DRIVER, FOR 20 MILLIAMPERE, 60 AND 75 WPM OPERATION (OR ANY INTERMEDIATE SPEED.)</p> <ol style="list-style-type: none"> <li>STRAP A5 TO A3</li> <li>MOVE LEAD FROM TERMINAL A8 TO A6</li> <li>ADD DASHED (---) LEAD, OMIT ⊖ LEADS ON SELECTOR MAGNETS</li> </ol> <p>FOR 60 MILLIAMPERE, 60, 75 &amp; 100 WPM OPERATION (OR ANY INTERMEDIATE SPEED.)</p> <ol style="list-style-type: none"> <li>STRAP A5 TO A3</li> <li>MOVE LEAD FROM TERMINAL A8 TO A6</li> </ol>
10.	FOR OPERATION WITH SELECTOR MAGNET DRIVER, SELECTOR MAGNETS MUST BE CONNECTED IN PARALLEL.



5931 WD		
REVISIONS		
ISSUE	DATE	AUTH. NO.
A	12-10-63	78861

SCHEMATIC  
WIRING DIAGRAM  
MODEL 28

REPERFORATOR BASE  
LRB 21  
ELECT SERVICE  
UNIT  
LESU96

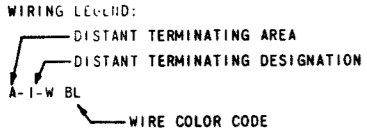
APPROVALS  
D AND R OF M

E-NUMBER  
PRD. NO. 5931 WD  
DATE  
P.D. FILE NO. 1-49.65AA  
DRAWN E. E. CHKD  
ENGD R.S.P. APPD

TELETYPE  
CORPORATION

5931 WD

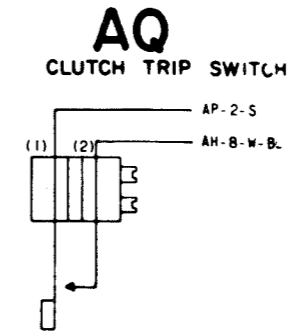
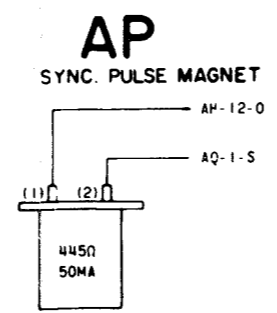
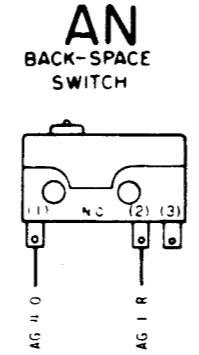
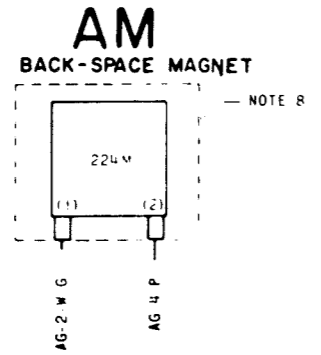
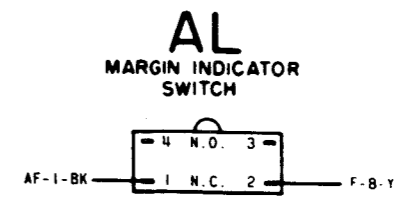
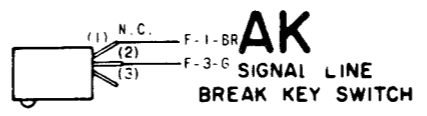
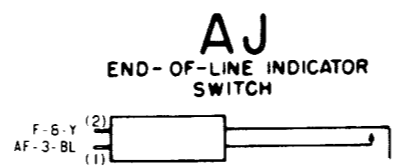
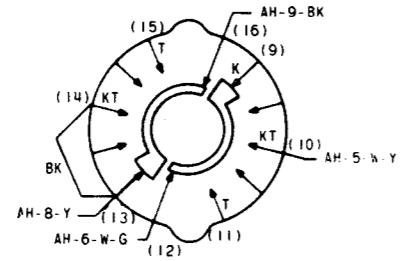
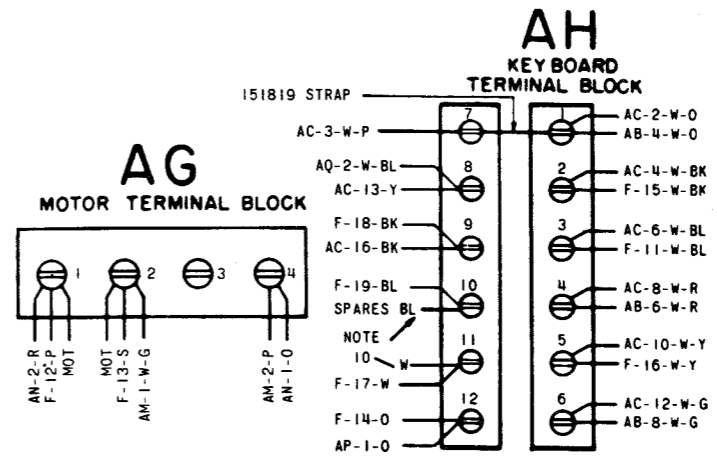
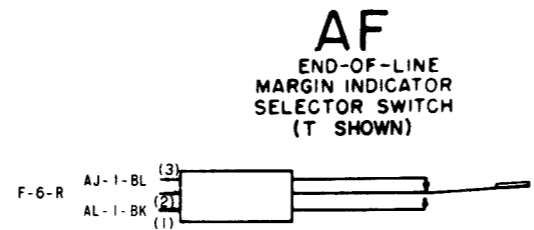
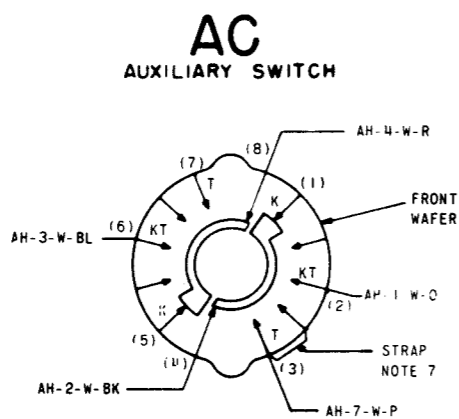
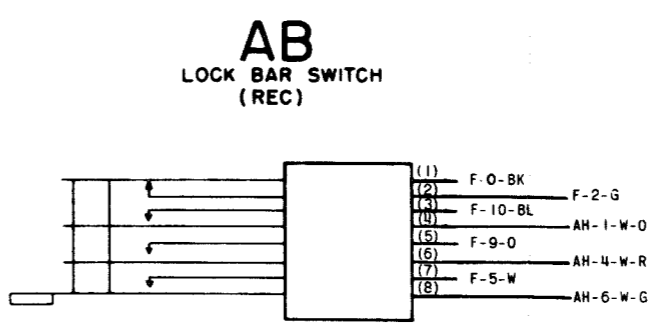
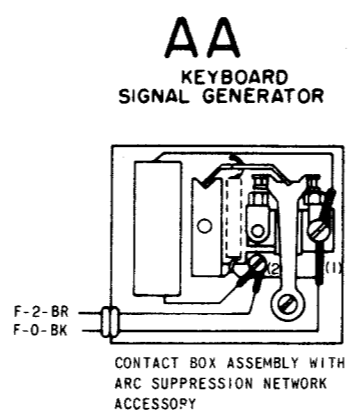
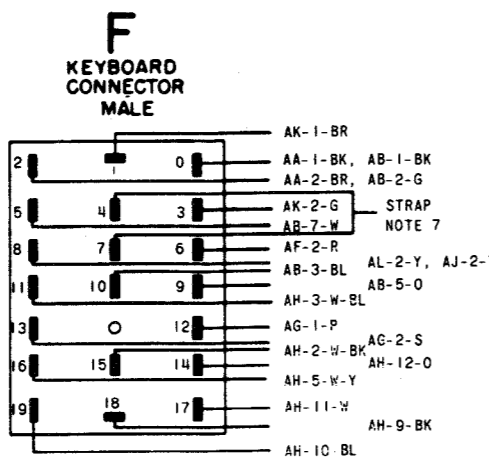
FOR CUSTOMERS USE

NO.	NOTES
1.	<b>WIRING LEGEND:</b>  DISTANT TERMINATING AREA DISTANT TERMINATING DESIGNATION A-1-W BL WIRE COLOR CODE
2.	<b>COLOR CODE:</b> BK - BLACK      G - GREEN BR - BROWN    BL - BLUE R - RED          P - PURPLE O - ORANGE     W - WHITE Y - YELLOW      S - SLATE
3.	UNIT WIRED FOR 115 VOLTS AC OR DC POWER INPUT.
4.	PLUGS VIEWED FROM SOLDER TERMINAL ENDS.
5.	ALL CONTACTS SHOWN IN UNOPERATED POSITION IN KEYBOARD.
6.	<b>ASSOCIATED CABLES:</b> 198353 CABLE ASSEMBLY, AUXILIARY 198352 CABLE ASSEMBLY, KEYBOARD 155992 CABLE ASSEMBLY, BACKSPACE 159343 CABLE ASSEMBLY, BACKSPACE 198351 CABLE ASSEMBLY, SYNC. PULSE TRIP MAGNET
7.	BARE WIRE STRAP 39522RM
8.	PART OF ASSOCIATED UNIT (LPE, LPR, LRPE, OR LTPE)
9.	FOR SCHEMATIC SEE 6460WD AND 7016WD.
10.	TAPE AND TIE BACK BLUE AND WHITE LEADS TO THE OTHER END OF 196353 CABLE ASSEMBLY.

6456 WD

REVISIONS

ISSUE	DATE	AUTH. NO.
2	11-27-63	
3	12-12-63	
4	6-15-64	82627



ACTUAL WIRING DIAGRAM FOR MODEL 28 KEYBOARD BASE LAK42 46

APPROVALS

D AND R H.J.K.	E OF M
-------------------	--------

E-NUMBER

PROD. NO. 6456WC

DATE 5-15-63

P.D. FILE NO. 49 A6544

DRAWN J D B CHKD.

ENGD. R A F APPD.

TELETYPE CORPORATION

6456 WD

- NO. NOTES
- WIRING LEGEND:
  - COLOR CODE:

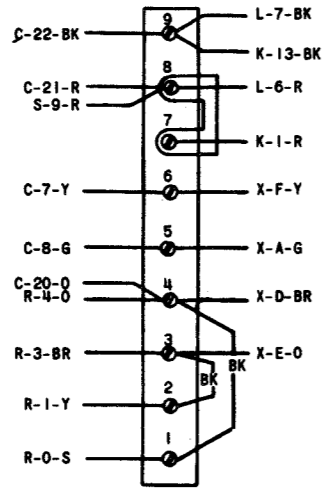
BK - BLACK	BR - BROWN
BL - BLUE	R - RED
Y - YELLOW	P - PURPLE
W - WHITE	S - SLATE
O - ORANGE	G - GREEN
  - UNIT WIRED FOR 117 VOLTS. 50 TO 60 CYCLE AC POWER INPUT ONLY.
  - CONNECTORS VIEWED FROM SOLDERED TERMINAL ENDS.
  - CIRCUITS SHOWN FOR .060 AMP. NEUTRAL SIGNAL LINE OPERATION. FOR .020 AMP. OPERATION REMOVE AND ADD CONNECTIONS AS TABULATED BELOW.

SIG. LINE CURRENT	CONNECTION REMOVED	CONNECTIONS ADDED
.020 AMP.	K1-K2	

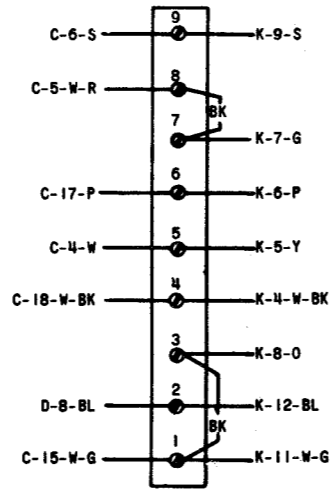
FOR .020 AMP. OPERATION OF SELECTOR MAGNET DRIVER, REFER TO 4445WD.
  - RECTIFIER SHOWN CONTROLLED BY POWER SWITCH.  
FOR CONTINUOUS OPERATION, REMOVE LEAD ~~10-BK~~ FROM TERMINAL E-2 AND CONNECT TO TERMINAL E-1.
  - LINE SHUNT RELAY SHOWN CONTROLLED BY POWER SWITCH AND SHUNTING LINE RELAY COIL AND KEYBOARD AND TRANSMITTER DISTRIBUTOR SIGNAL GENERATOR.
  - THE SPARE LEADS FROM THE TRANSMITTER DISTRIBUTOR UNIT CONNECTOR PLUG ARE TERMINATED IN THE RIGHT END OF THE ELECTRICAL SERVICE UNIT. THE SPARE LEADS FROM THE TYPING UNIT PLUG ARE TERMINATED IN THE LEFT END OF THE ELECTRICAL SERVICE UNIT.
  - ADD STRAP BETWEEN C10 & C11 IF SIGNAL LINE BREAK SWITCH IS NOT USED.
  - SPARE LEAD FROM U18 IS RESERVED FOR POLAR OPERATION OF KEYBOARD AND TRANSMITTER DISTRIBUTOR SIGNAL GENERATORS.
  - TERMINALS C143 TO C148 RESERVED FOR CABINET LAMP OPERATION.
  - TERMINALS C1 TO C3 RESERVED FOR CUSTOMER USE.
  - TERMINALS C121 - C122 RESERVED FOR PERFORATOR LO-TAPE SWITCH.
  - CONTACTS SHOWN IN UNOPERATED OR DE-ENERGIZED POSITION.
  - SYNC PULSE CURRENT SHOWN SUPPLIED FROM SET RECTIFIER TO PULSE SET EXTERNALLY REMOVE STRAPS AND CONNECT EXTERNAL SOURCE IN ACCORDANCE WITH INSTALLATION REQUIREMENTS:

C124 - C131	C21 - C131
C125 - C142	C22 - C142
  - FOR SCHEMATIC WIRING DIAGRAM SEE 7016WD.

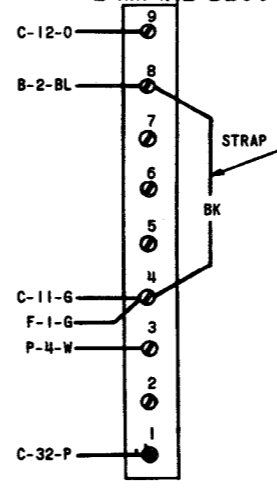
**A**  
SELECTOR MAGNET TERMINAL BLOCK



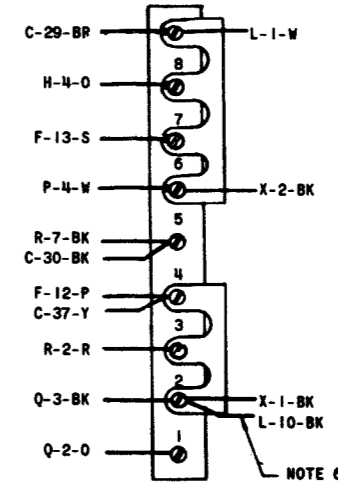
**B**  
LINE TEST KEY TERMINAL BLOCK



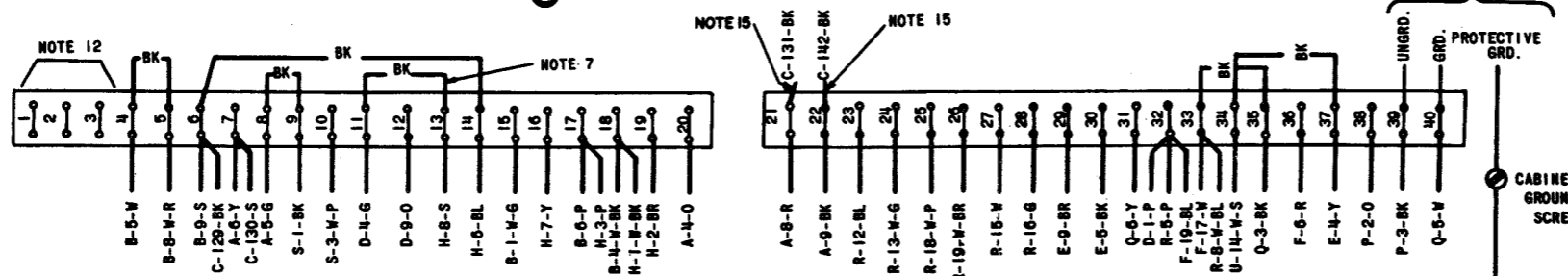
**D**  
MOTOR CONTROL TERMINAL BLOCK



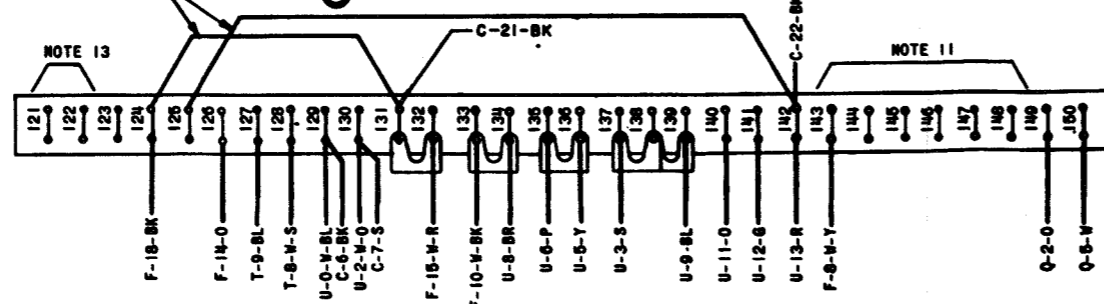
**E**  
POWER TERMINAL BLOCK



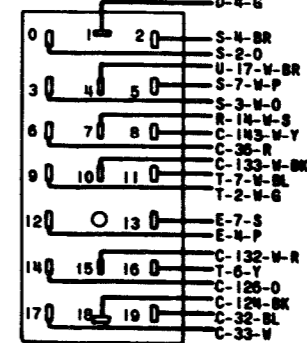
**C**  
CABINET TERMINAL BLOCK



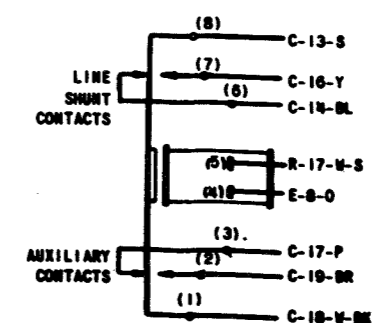
**C**  
CABINET TERMINAL BLOCK



**F**  
KEYBOARD CONNECTOR FEMALE



**H**  
LINE SHUNT RELAY



NOTE:  
REVISION INFORMATION MUST ALSO BE REFLECTED ON THE ISSUE CONTROL RECORD, WHICH IS PART OF THIS W.D.

7015 WD

REVISIONS

ISSUE	DATE	AUTH. NO.
A	1-31-64	80196
B3	2-6-64	80198
4	4-20-65	86885
5	7-29-65	88100 RECORD

SEE ISSUE CONTROL RECORD FOR COMPLETE LIST OF SHEETS COMPRISING THIS W.D.

SHEET 1 OF 2

ACTUAL  
WIRING DIAGRAM  
FOR  
MODEL 28  
ELECTRICAL  
SERVICE UNIT  
LESU111

APPROVALS

D AND R: *HRK* E OF M: *[Signature]*

E-NUMBER

PROD. NO. 7015WD

DATE 8/20/63

P.D. FILE NO. 3-A65.219A

DRAWN JDB

CHKD.

END. RAF

APPD.

TELETYPE CORPORATION

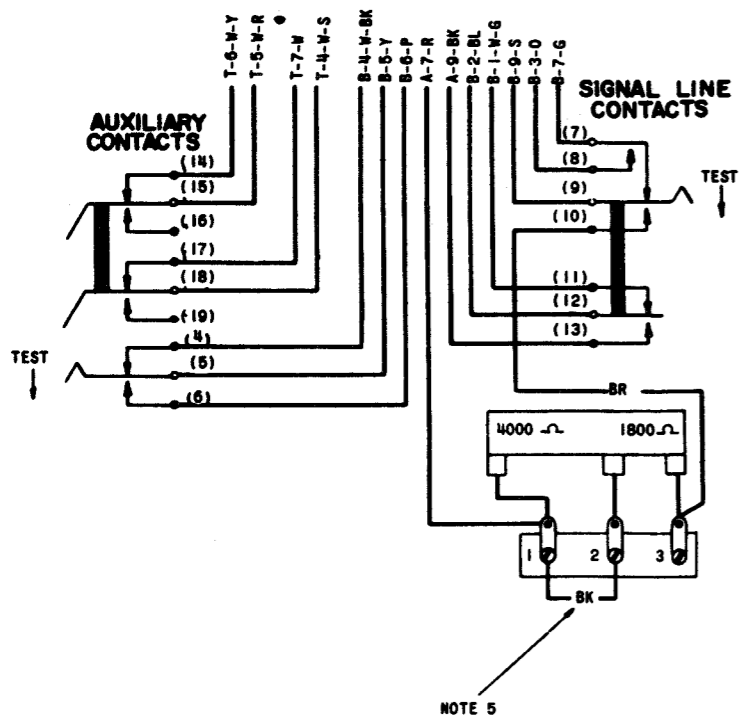
7015WD

REVISIONS

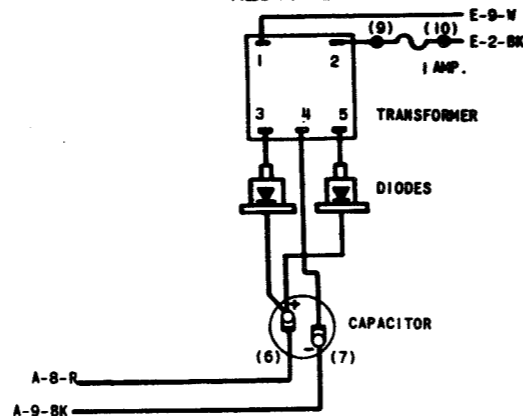
ISSUE	DATE	AUTH. NO.
A	1-31-64	80196
B3	2-6-64	80198
4	4-20-65	88085
5	7-29-65	88100
6	4-26-66	90882

NOTE  
REVISION INFORMATION MUST ALSO  
BE REFLECTED ON THE ISSUE  
CONTROL RECORD, WHICH IS PART  
OF THIS W.D.

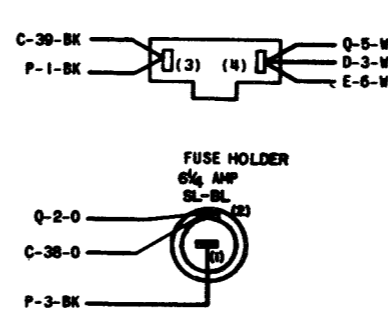
**K**  
LINE TEST KEY ASSEMBLY



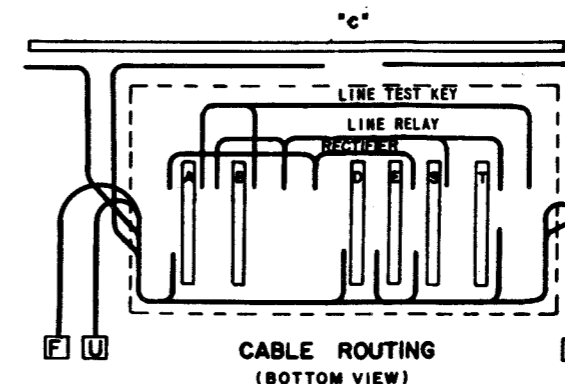
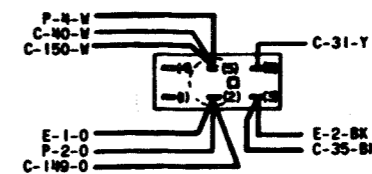
**L**  
RECTIFIER ASSEMBLY



**P**  
CONVENIENCE  
RECEPTACLE



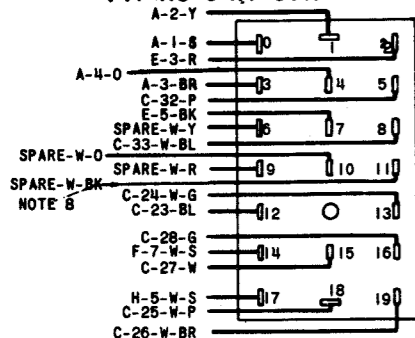
**Q**  
POWER SWITCH



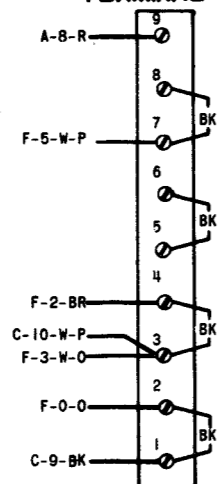
SEE ISSUE CONTROL RECORD FOR  
COMPLETE LIST OF SHEETS  
COMPRISING THIS W.D.

SHEET 2

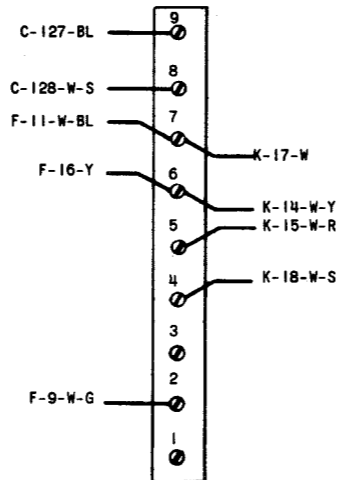
**R**  
TYPING UNIT CONNECTOR FEMALE



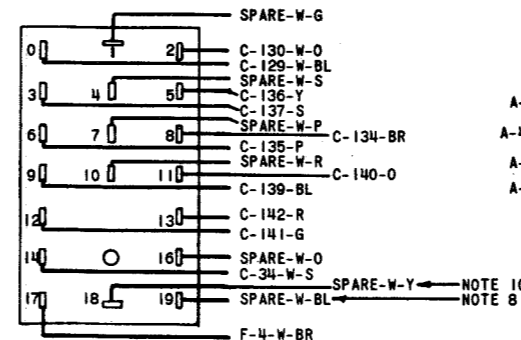
**S**  
SLOW RELEASE RELAY  
TERMINAL BLOCK



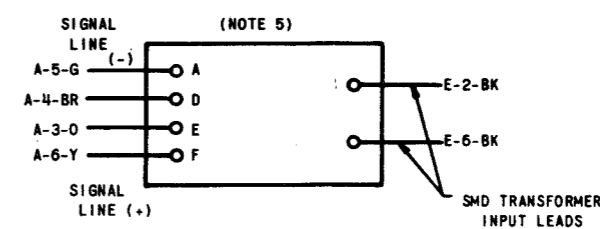
**T**  
SLOW RELEASE TEST KEY  
TERMINAL BLOCK



**U**  
TRANSMITTER DISTRIBUTOR  
CONNECTOR FEMALE



**X**  
177010  
TYPING UNIT  
SELECTOR MAGNET DRIVER



ACTUAL  
WIRING DIAGRAM  
FOR  
MODEL 28  
ELECTRICAL  
SERVICE UNIT  
LESU111

APPROVALS

D AND R *HJK* E OF M *[Signature]*

E-NUMBER  
PROD. NO. 7015WD

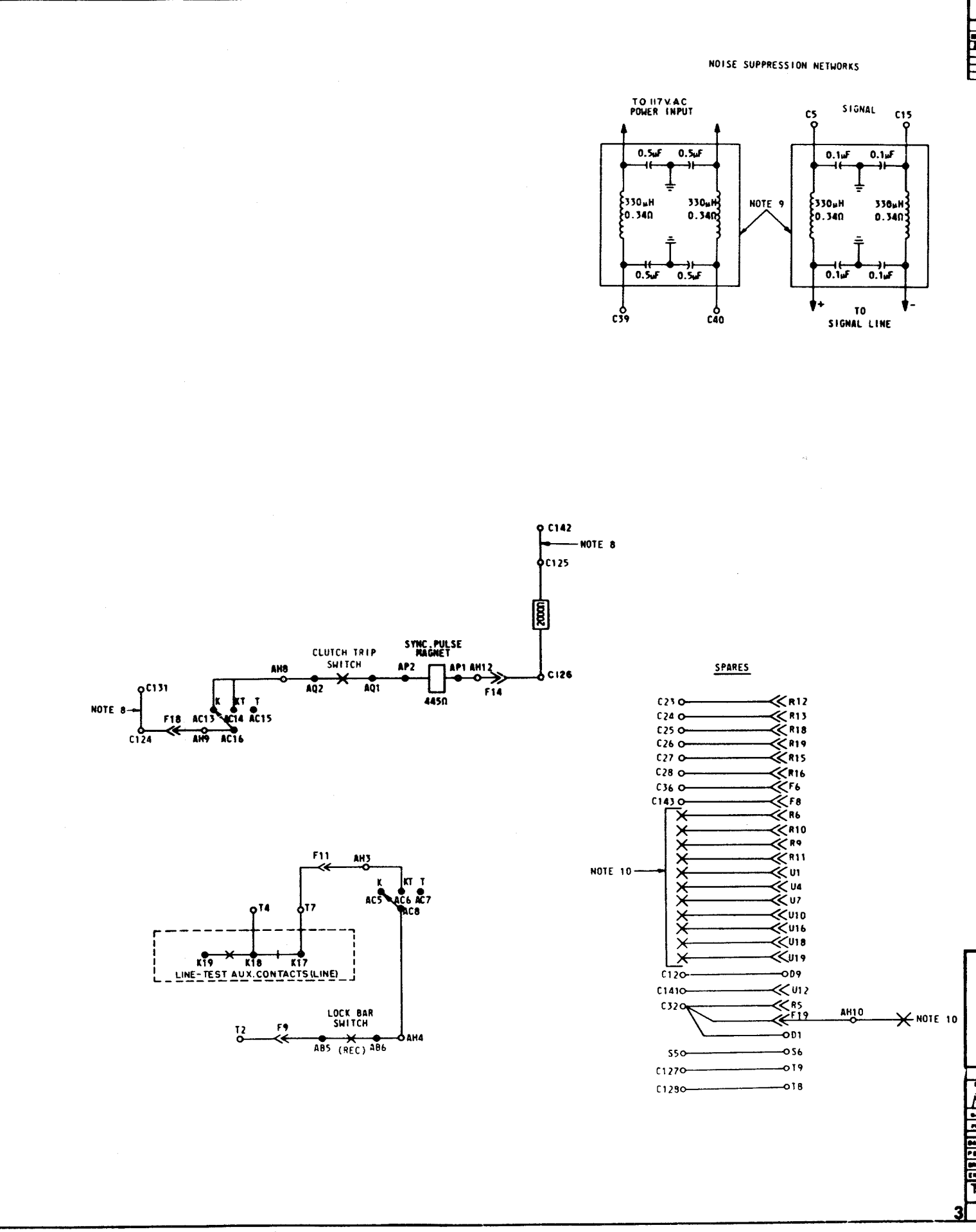
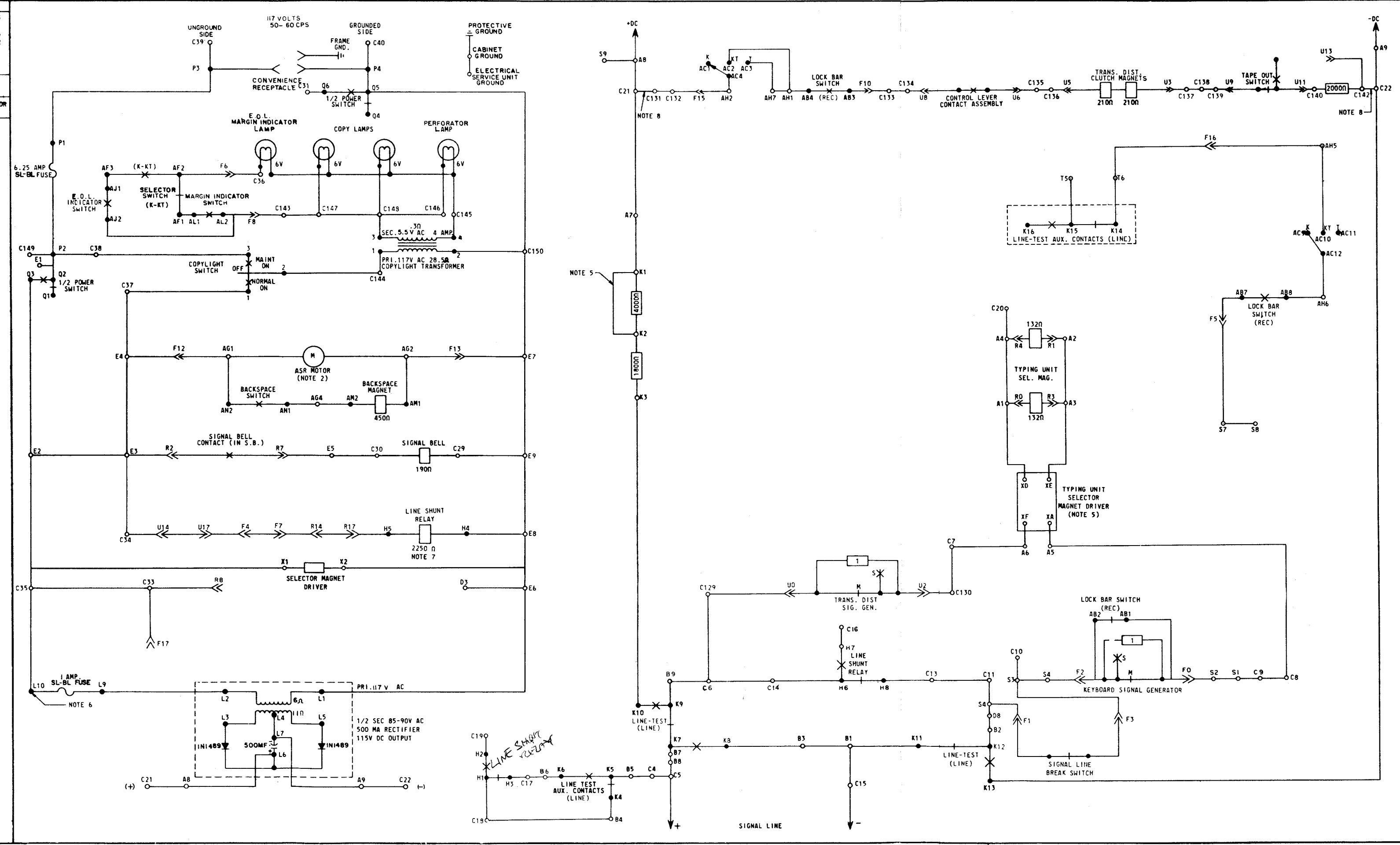
DATE 8/20/63

P.D. FILE NO. 3-A65.219A

DRAWN JDB CHKD.  
ENGD. RAF APPD.

TELETYPE  
CORPORATION

- NOTES**
- FOR ACTUAL WIRING DIAGRAMS OF INDIVIDUAL UNITS SEE:
  - LEGEND:
  - ALL APPARATUS SHOWN IN OPERATED OR DE-ENERGIZED POSITIONS (TAPE IN UNIT)
  - A. RESISTANCE IN OHMS (Ω)  
B. INDUCTANCE IN MICROHENRIES (μH)  
C. CAPACITANCE IN MICROFARADS (μF)
  - CIRCUITS SHOWN FOR .060 AMP. NEUTRAL SIGNAL LINE. FOR .020 AMP. LINE CURRENT UNIT CONNECTION K1-K2 REFER TO 4445WD FOR SELECTOR MAGNET DRIVER WIRING.
  - RECTIFIER SHOWN CONTROLLED BY POWER SWITCH. FOR CONTINUOUS OPERATION, MOVE L-1 TO FROM E-2 TO E-1.
  - LINE SHUNT RELAY SHOWN CONTROLLED BY POWER SWITCH AND SHUNTING TRANSMITTER DISTRIBUTOR AND KEYBOARD SIGNAL GENERATORS AND SELECTOR MAGNET DRIVER.
  - SYNC. PULSE CURRENT SHOWN SUPPLIED FROM SET RECTIFIER. TO PULSE SET EXTERNALLY, REMOVE STRAPS AS FOLLOWS AND CONNECT EXTERNAL SOURCE IN ACCORDANCE WITH INSTALLATION REQUIREMENTS:  
C142 - C125 C21 - C131  
C131 - C124 C22 - C142
- NOTES (CONT.)**
- USE POWER AND SIGNAL LINE SUPPRESSORS AND SYNCHRONOUS OR GOVERNED FILTERED MOTOR UNIT FOR INSTALLATION REQUIRING MINIMUM R.F. INTERFERENCE. FOR OTHER INSTALLATIONS, OMIT SUPPRESSORS AND CONNECT INPUTS AND GOVERNED MOTOR DIRECTLY TO TERMINALS SHOWN.
  - (X) INDICATES SPARE LEADS WHICH ARE TAPED AND TIED BACK TO CABLE.
  - FOR SCHEMATIC OF AUXILIARY REPERFORATOR AND ASSOCIATED APPARATUS, SEE 3343WD.



7016 WD	
REV.	DATE
1	5-23-51
2	5-23-51
3	5-23-51

SCHEMATIC WIRING DIAGRAM  
MODEL 28  
AUTOMATIC  
SEND-RECEIVE  
SET  
LESU111

APPROVALS

DATE: 5-23-51  
PROJECT: 7016 WD  
JOB: 7016 WD  
DRAWN: RAF  
CHECKED: JAF  
TELETYPE CORPORATION

3 7016 WD