

8- TO 5-LEVEL UNIVERSAL STATION CONVERTERS
SCHEMATIC WIRING DIAGRAMS

CONTENTS	PAGE
1. GENERAL	1
2. DIAGRAM INDEX	1
1. GENERAL	
1.01 This section is reissued to include the latest issues of the schematic wiring diagrams for the 8- to 5-level Signal-to-Tape and Tape-to-Tape Universal Station Converter terminals.	

minals. Since this is a general revision, marginal arrows have been omitted.

1.02 The location of each wiring diagram is indicated by its position in the index. The index also lists the subject matter of each wiring diagram, and its current issue.

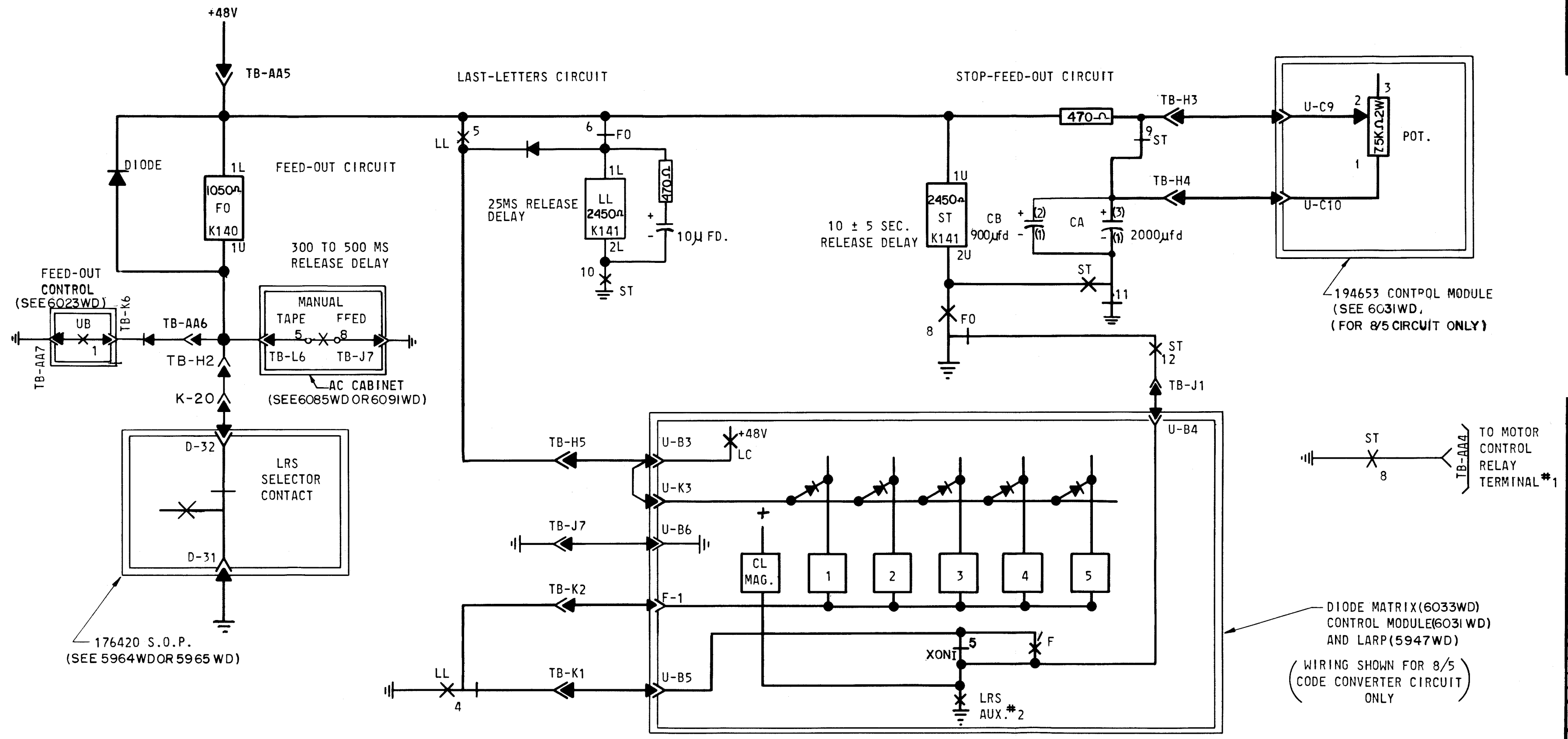
1.03 For wiring information concerning the mechanical units associated with the converter terminals, refer to the appropriate section.

2. DIAGRAM INDEX

SUBJECT	DRAWING NUMBER	ISSUE					
		1	2	3	4	5	6
Automatic LTRS Feed-Out Assembly TP194595	5887		4				
Selector Magnet Driver, TP193400	5949		2				
Tape-to-Tape Panel Assembly, VCL283 and VCL316	6021		3				
Service Unit, TP194605	6023		3				
Character Storage Module, TP194650	6027		3				
Transfer Tree Module, TP194651	6029		4				
Control Module, TP194653	6031		7				
Matrix Assembly, TP194652	6033		5				
Feed-Out Assembly, TP194608	6037		2				
TP193400, TP194595 and TP194706 Assemblies	6083		3				
Cabinet Schematic 8- to 5-level	6085	A	10				
Cabinet Cable Routing, 8- to 5-level	6098		A				
Power Schematic, 8- to 5-level	6099		5				
Translation Schematic, 8- to 5-level	6100		Orig				
Translation Chart for TP194643 Cable Assembly	6368		3				
Translation Chart for TP194644 Cable Assembly	6369		2				

ISSUE	DATE	AUTH. NO.
1	9-24-63	78176
2	8-10-64	83011
3	9-25-64	83011-1

- NO. NOTES
- REFER TO 6084 AND 6036WD FOR WIRING LIST.
 - CONNECTIONS "TB" ARE ON 194636 TERMINAL BOARD LOCATED ON 194605 SERVICE UNIT.
 - ALL VOLTAGE DC UNLESS OTHERWISE SPECIFIED.
 - ↖ INDICATES FEMALE AND ↗ INDICATES MALE TERMINALS
 - ALL CAPACITANCE VALUES IN MICROFARADS, UNLESS OTHERWISE SPECIFIED.
 - TERMINAL DESIGNATION ENCLOSED IN PARENTHESES ARE FOR REFERENCE AND ARE NOT MARKED ON COMPONENT.





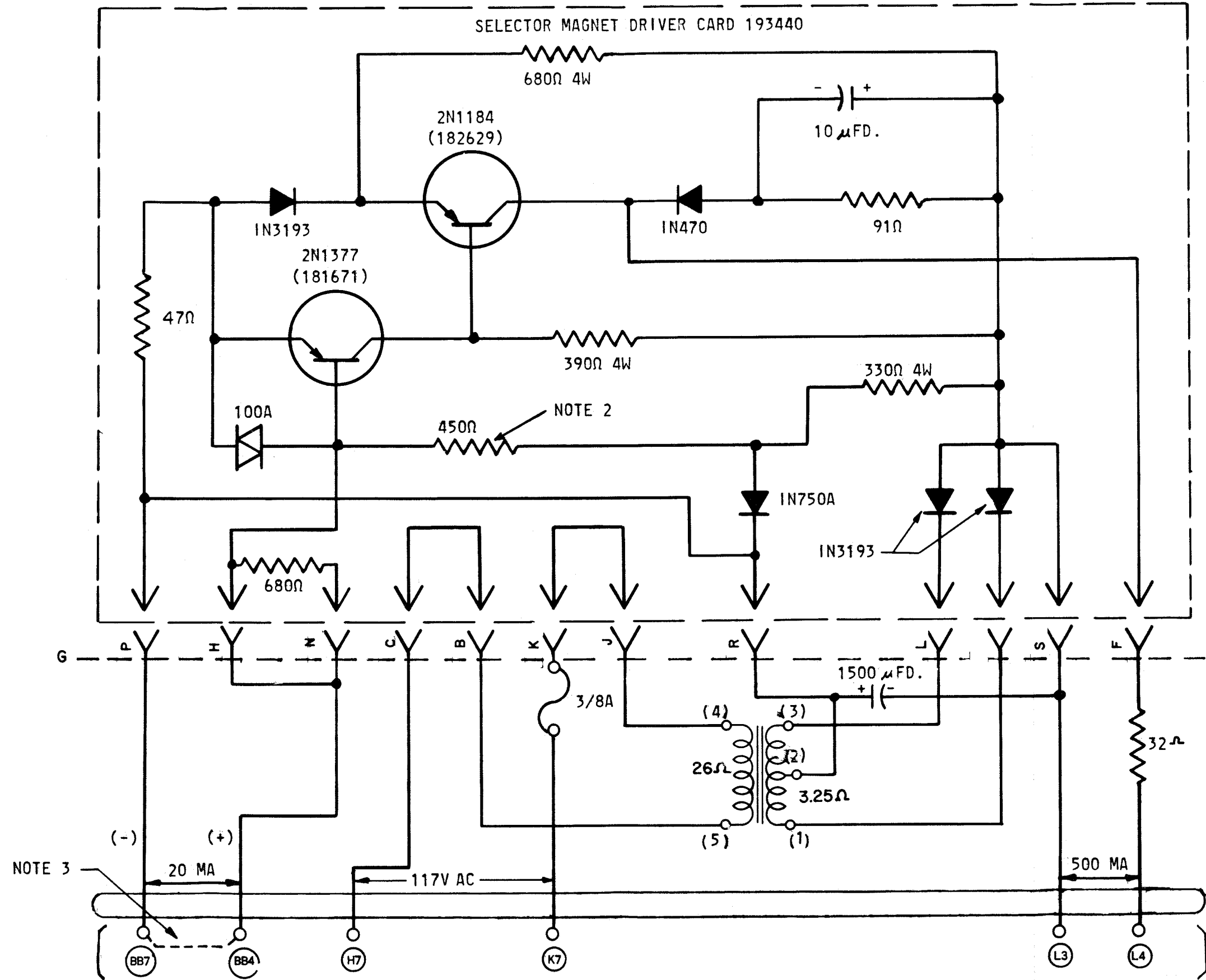
SCHEMATIC
AUTOMATIC
"LTRS" FEED OUT
194595 ASSEMBLY

APPROVALS

D AND R	E OF M
<i>[Signature]</i>	<i>[Signature]</i>
E-NUMBER	
PROD. NO. 5887WD	
DATE: 8-17-62	
P.D. FILE NO. 3-95AAA	
DRAWN. E.R. CHKD. [Signature]	
ENGD. P.H.B. APPD.	
TELETYPE CORPORATION	
5887 WD	



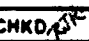
ISSUE	DATE	AUTH. NO.
2	8-6-64	83021

- NO. NOTES
- REFER TO 5826WD AND 6035WD FOR ACTUAL AND WIRING LIST.
 - CIRCUIT IS WIRED FOR .020 A SIGNAL LINE INPUT. FOR .060A INPUT, 450 OHM RESISTOR MUST BE CHANGED TO 140 OHM.
 - IN ORDER TO BLIND THE SELECTOR MAGNET DRIVER TO LINE SIGNALS AND MAINTAIN A STEADY MARK OUTPUT, THE FOLLOWING CHANGE IS RECOMMENDED; ADD A STRAP ACROSS TERMINALS BB7 AND BB4
 - ALL VOLTAGES DC UNLESS OTHERWISE SPECIFIED.
 - ALL CAPACITANCE VALUES IN MICROFARADS UNLESS OTHERWISE SPECIFIED
 -  INDICATES FEMALE AND
 INDICATES MALE TERMINALS.
 - TERMINAL DESIGNATIONS ENCLOSED IN PARENTHESES ARE FOR REFERENCE AND ARE NOT MARKED ON COMPONENT.
 -



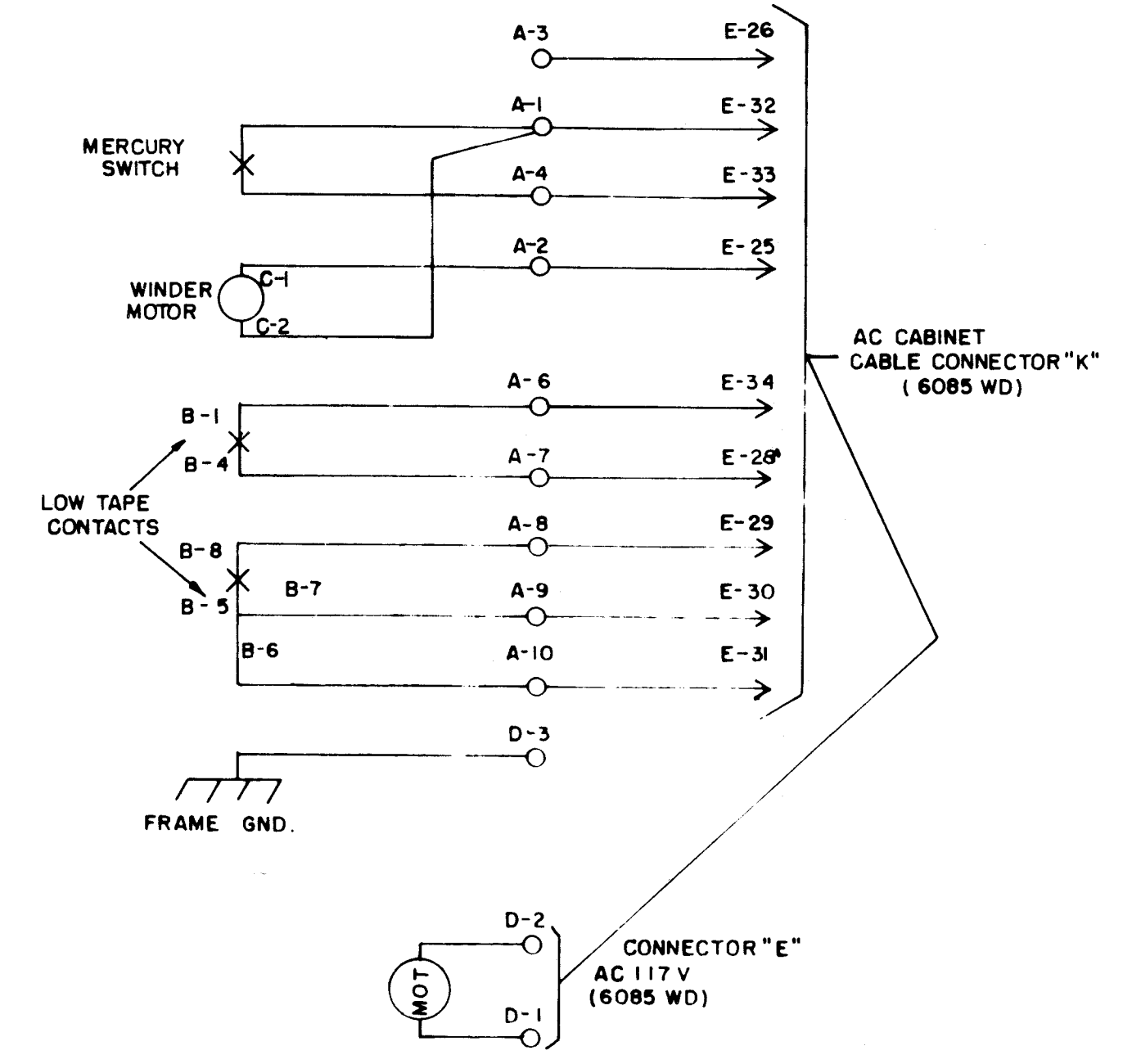
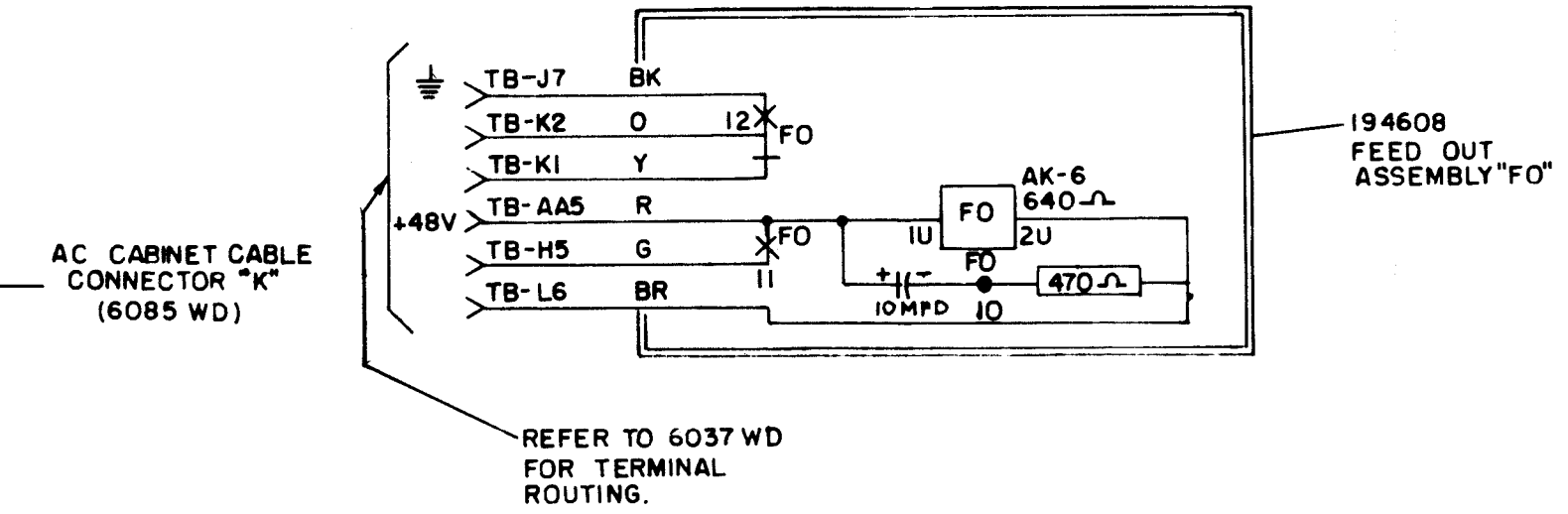
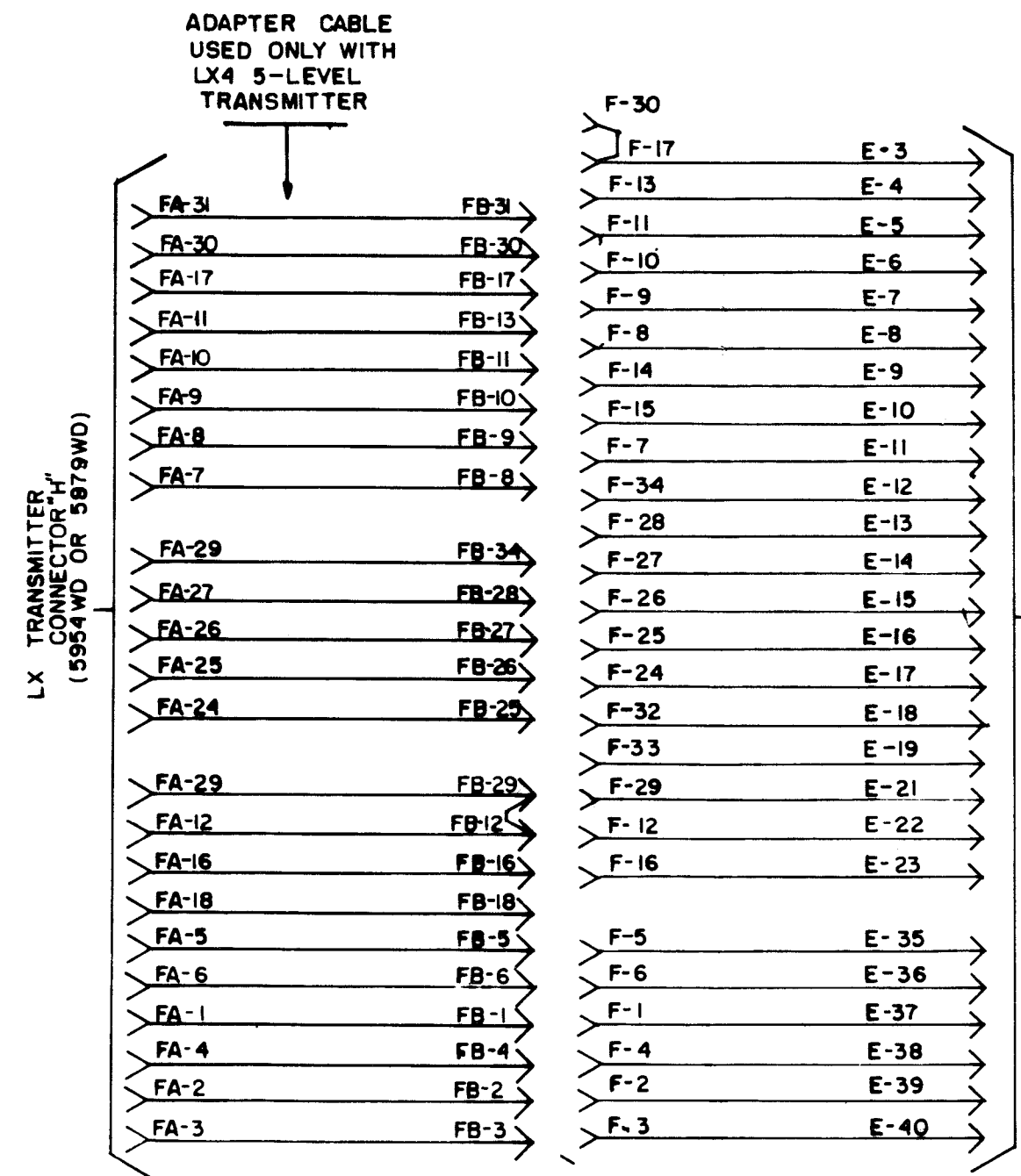
CONNECTIONS TO SERVICE UNIT TERMINAL BOARD

SELECTOR MAGNET DRIVER ASSEMBLY 193400 USED ON 194605 SERVICE UNIT ASSEMBLY

APPROVALS	
D AND R	E OF M
	
E-NUMBER	
PROD. NO. 5949WD	
DATE: 8-25-62	
P.D. FILE NO. 3-95AAA	
DRAWN G.M.	CHKD. 
ENGD. P. H. B. APPD.	
TELETYPE CORPORATION	
5949WD	

EFH

- NOTES**
- REFER TO 6022 WD FOR ACTUAL WD.
 - "TB" NUMBERS INDICATE CONNECTIONS TO TERMINAL BOARD IN 194605 SERVICE UNIT ASSEMBLY
 - INDICATES FEMALE AND → INDICATES MALE TERMINALS
 - ALL VOLTAGES DC UNLESS OTHERWISE SPECIFIED



6021 WD

REVISIONS		
ISSUE	DATE	AUTH. NO.
2	7-9-64	82984
3	7-10-64	83009



SCHEMATIC WIRING DIAGRAM FOR TAPE TO TAPE PANEL ASSEMBLY VCL 283 AND VCL 316 ASSEMBLY NO. 194548

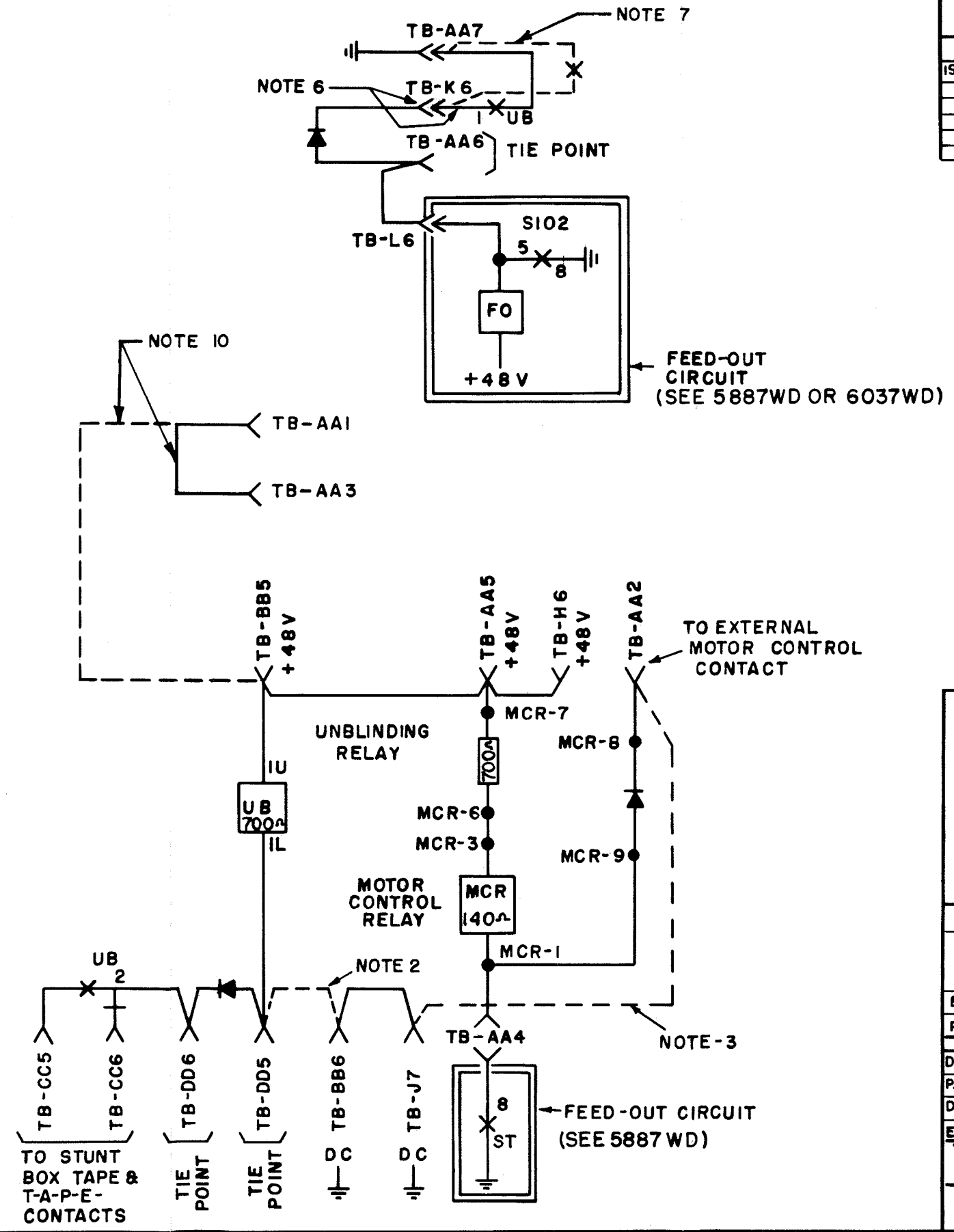
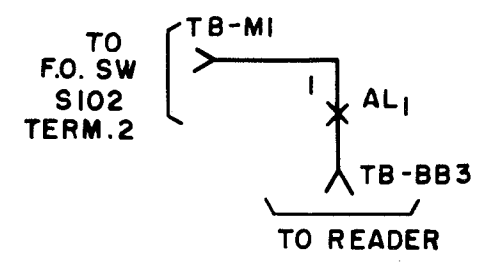
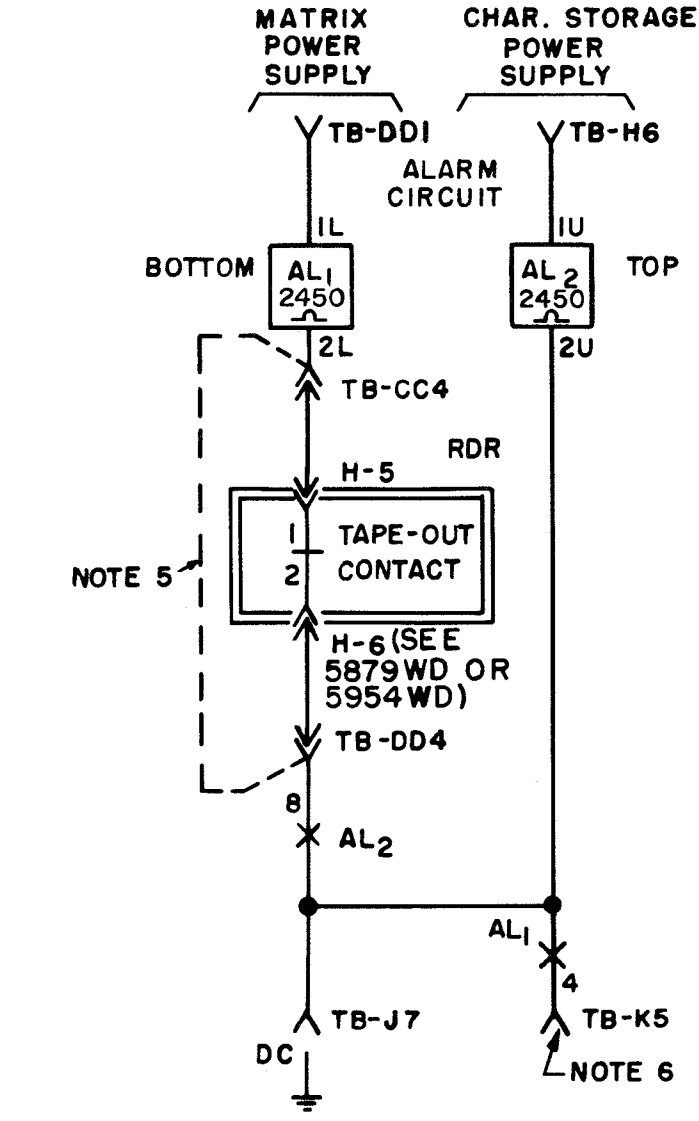
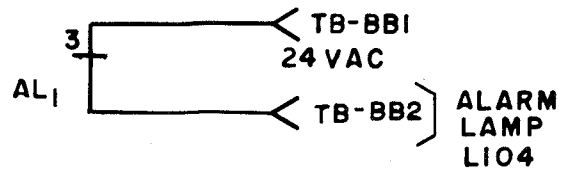
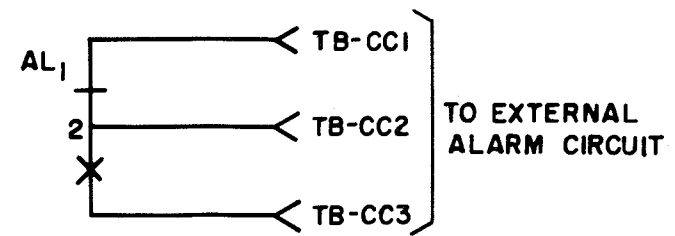
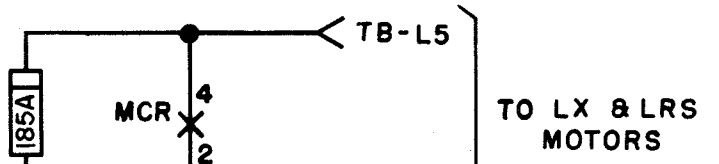
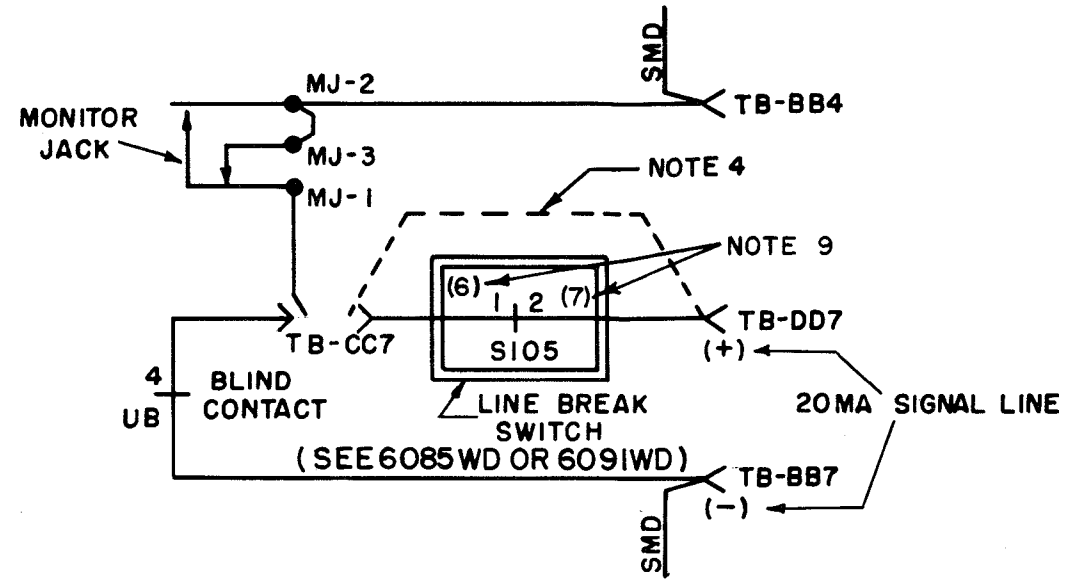
APPROVALS

R AND D	E OF M
E-NUMBER	
PROD. NO. 6021 WD	
DATE: 2-1-63	
R. & D. FILE NO. 3-95AAA	
DRAWN R.A.L.	CHKD.
ENGD. P.H.B.	APPD.

TELETYPE CORPORATION

6021 WD

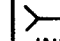
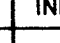
NO	NOTES
1	FOR WIRING LIST REFER TO 6024 WD
2	ADD STRAP ACROSS DD5 AND BB6 TO DISABLE BLINDING CIRCUIT
3	ADD STRAP ACROSS AA2 AND J7 TO RUN MOTOR CONTINUOUSLY
4	ADD STRAP ACROSS CC7 AND DD7 TO DISABLE LINE BREAK KEY
5	ADD STRAP ACROSS CC4 AND DD4 WHEN CONVERTER IS USED AS A SIGNAL-TO-TAPE TRANSLATOR
6	STRAP TB-K5 TO TB-K6 WHEN AUTOMATIC LTRS FEED-OUT IS REQUIRED FOR TAPE-TO-TAPE CONVERTERS. REMOVE CONNECTION TO CONTACT 1 UB AND TIE BACK.
7	CIRCUIT IS WIRED FOR STUNT-BOX CONTROL OF FEED-OUT RELAY, FO, THROUGH UNBLIND RELAY, "UB," IF EXTERNAL CONTROL IS DESIRED. DISCONNECT LEAD BETWEEN TB-K6 AND TB-AA7 AND CONNECT EXTERNAL CONTACT TO TERMINALS.
8	 INDICATES FEMALE AND  INDICATES MALE TERMINALS.
9	DESIGNATIONS (6) AND (7) ARE USED FOR THE 5-8 LEVEL CODE CONVERTER.
10	5-8 LEVEL CONVERTER IS WIRED FOR VERTICAL PARITY. IF CONTINUOUS MARK IS DESIRED IN THE 8TH LEVEL, REMOVE STRAP FROM TB-AA1 AND CONNECT TO TB-BB5.

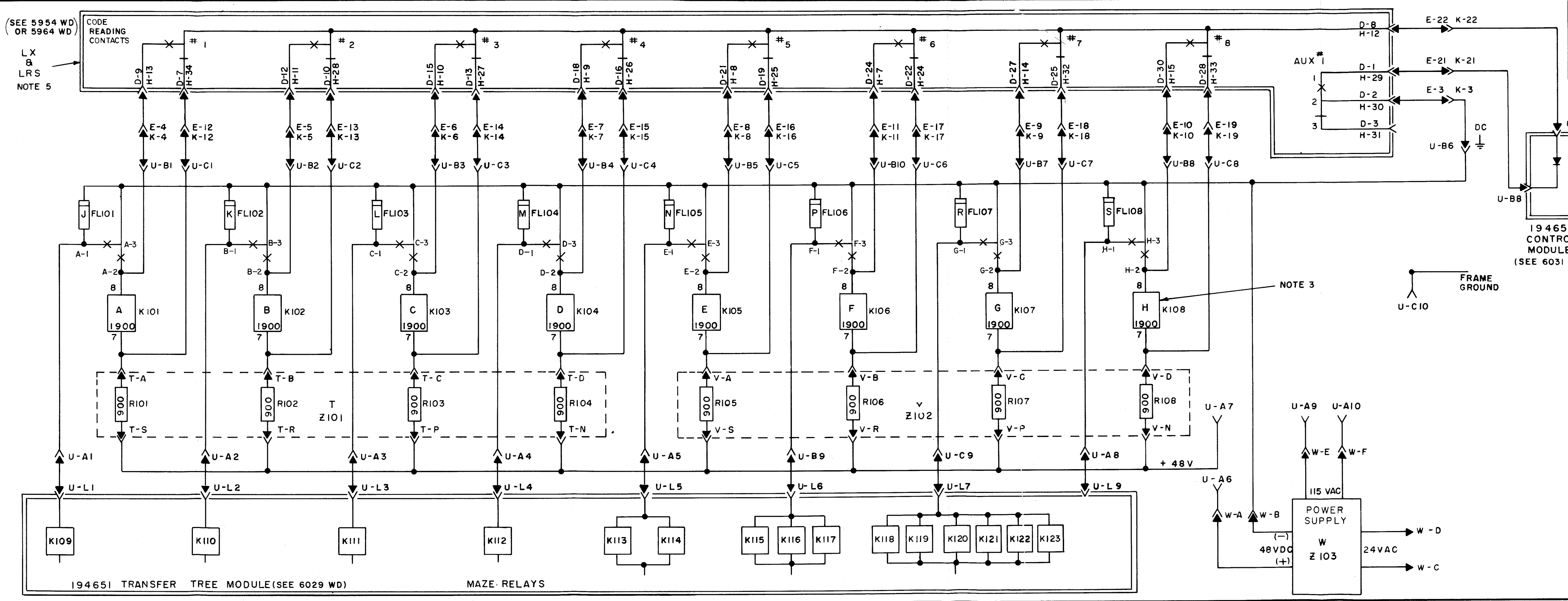


6023WD		
ISSUE	DATE	AUTH. NO.
2	9-24-63	78176
3	7-10-64	82990

SCHEMATIC WIRING DIAGRAM	
194605 SERVICE UNIT ASSEMBLY	
APPROVALS	
DANDR	E OF M
E-NUMBER	
PROD. NO 6023 WD	
DATE 1-17-63	
P.D. FILE NO 3-95 AAA	
DRAWN C G	CHKD. [Signature]
ENGD PHB	APPD. [Signature]
TELETYPE CORPORATION	
6023WD	



EFK

- 1 REFER TO 6028 WD FOR WIRING LIST.
- 2 A-H MERCURY RELAY 194519
J-S 185A NETWORK 153631
T, V CONNECTOR (15 PIN) USED WITH SPECIAL COMPONENTS CARDS
(J122, J123) 193040
U CONNECTOR (50 PIN) (J109) 174730
W CONNECTOR (6 PIN) (J121) 171651
- 3 RELAY K108 OMITTED IN THIS ASSEMBLY.
- 4 THE LRS 801 IS USED WITH THE SIGNAL-TO-TAPE CONVERTER. WHEN THIS CIRCUIT APPLIES TO A TAPE-TO-TAPE CONVERTER, A LX801 REPLACES THE LRS 801
- 5 LX CONNECTOR = H
LRS CONNECTOR = D
- 6 ALL VOLTAGES DC UNLESS OTHERWISE SPECIFIED.
- 7 ALL RESISTANCE VALUES IN OHMS UNLESS OTHERWISE SPECIFIED.
- 8  INDICATES FEMALE AND  INDICATES MALE TERMINALS.
- 10 RELAYS A-H ARE THE MERCURY TYPE WHICH PLUG INTO OCTAL SOCKETS.



6027 WD		
ISSUE	DATE	AUTH. NO.
1	2-9-63	78176
2	8-5-64	83024
3		

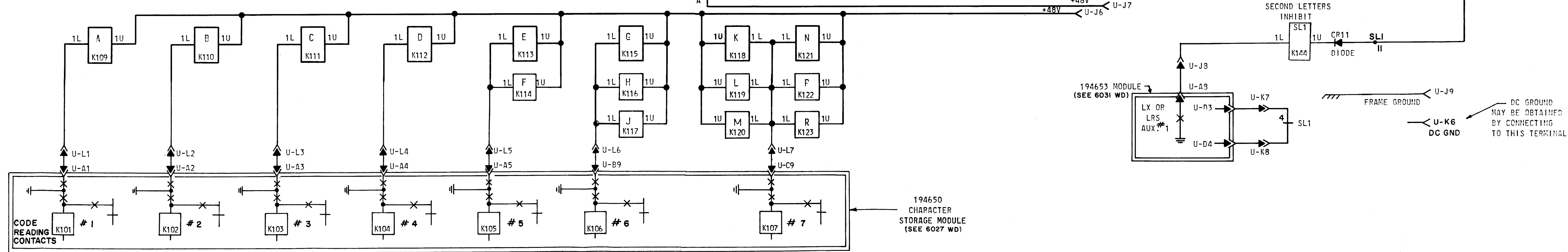
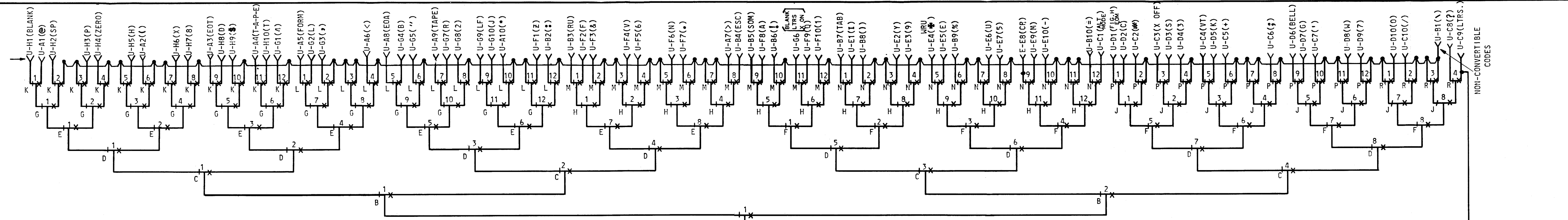
SCHMATIC WIRING DIAGRAM FOR 194653 CHARACTER STORAGE MODULE 8-5 CODE CONVERTER

APPROVALS	
R AND D	E OF M
E-NUMBER	
PROD. NO. 6027 WD	
DATE 2-9-63	
P.D. FILE NO. 3-95 AAA	
DRAWN CG	CHKD. 
ENGD PHB	APPD. 
TELETYPE CORPORATION	
6027 WD	

6029WD

ISSUE	DATE	AUTH. NO.
2	9-5-63	77874
3	9-24-63	78176
4	8-6-64	83026

NOTE 3



NON-CONVERTIBLE CODES

8 TO 5 LEVEL
CODE CONVERTER
SCHEMATIC WD FOR
194651 MODULE
ASSEMBLY
(TRANSFER TREE)

APPROVALS

D AND R. E OF M

E-NUMBER

PROD. NO.

DATE: 5-29-62

P.D. FILE NO. 3-95AAA



DRAWN: F.R. CHKD: [Signature]

ENGD: H.B. APPD: [Signature]

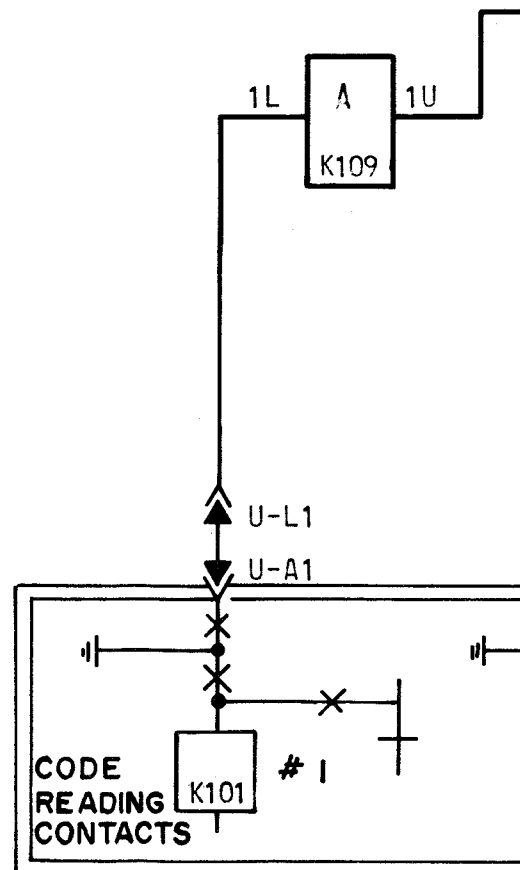
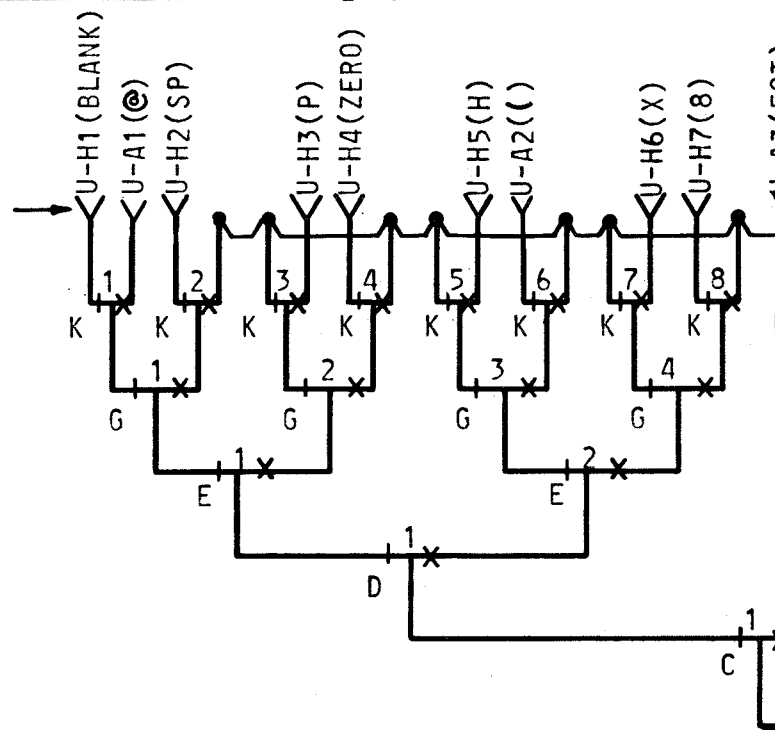
TELETYPE CORPORATION

6029WD

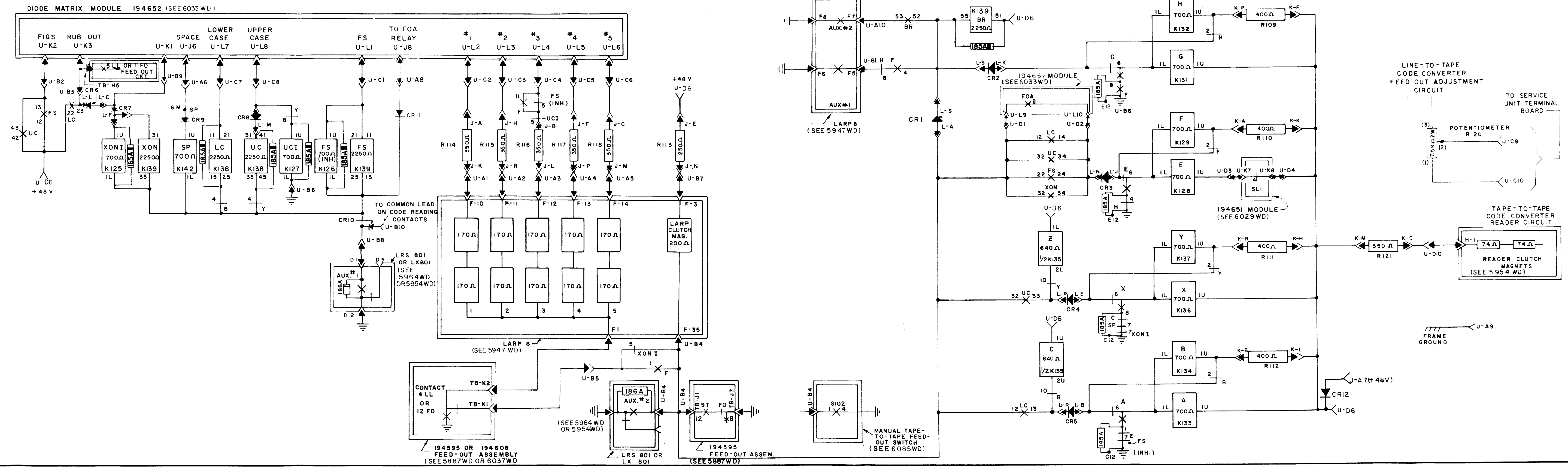
DC GROUND
MAY BE OBTAINED
BY CONNECTING
TO THIS TERMINAL

NO.	NOTES
1.	REFER TO 6030WD FOR WIRING LIST.
2.	A-R RELAY AJ12 194582 (700Ω) SLI RELAY AF54 145003 (700Ω) U CONNECTOR (110-PIN) J110 174732
3.	ALL CONNECTIONS IN THIS ROW MAY TERMINATE IN THE 194652 MATRIX MODULE.
4.	ALL VOLTAGES DC UNLESS OTHERWISE SPECIFIED.
5.	 INDICATES FEMALE  INDICATES MALE TERMINALS.
7.	TERMINALS II OF SLI RELAY IS USED AS A TIE POINT ONLY.

NOTE 3



ISSUE	DATE	AUTH. NO.
1	7-3-63	77396
2	9-5-63	77874
3	9-24-63	78176
4	6-25-64	82698
5	8-7-64	83028
6	10-23-64	83877



SCHEMATIC DIAGRAM FOR 8 TO 5 LEVEL CODE CONVERTER 194653 CONTROL MODULE

APPROVALS

D AND R E OF M

E-NUMBER

PROD. NO. 6031WD

DATE: 8-20-62

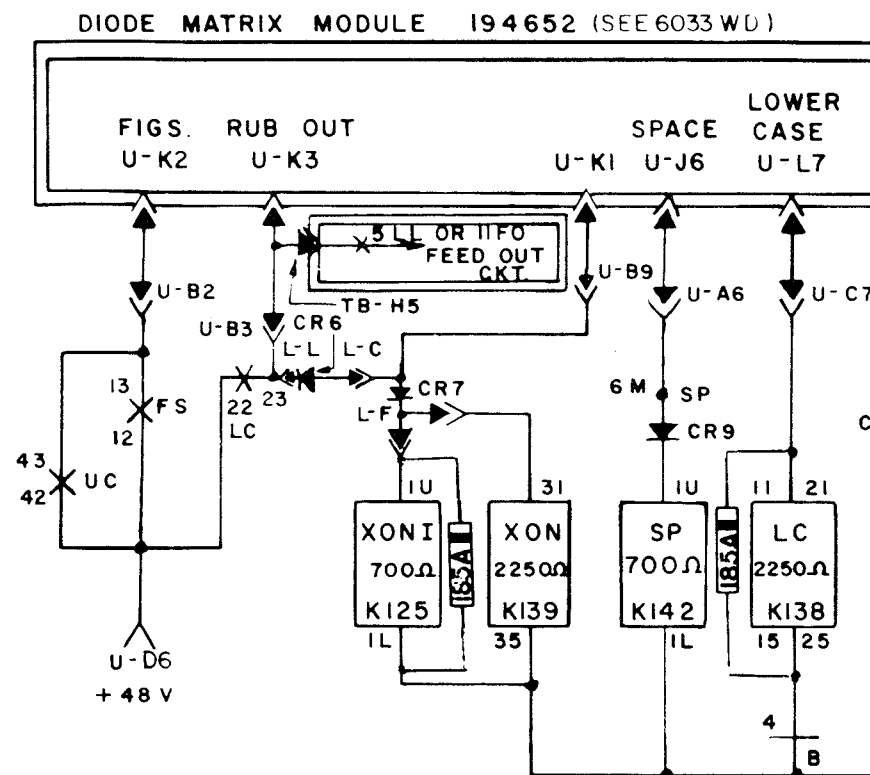
P.D. FILE NO 3-95AAA

DRAWN G.M. CHKD. [Signature]

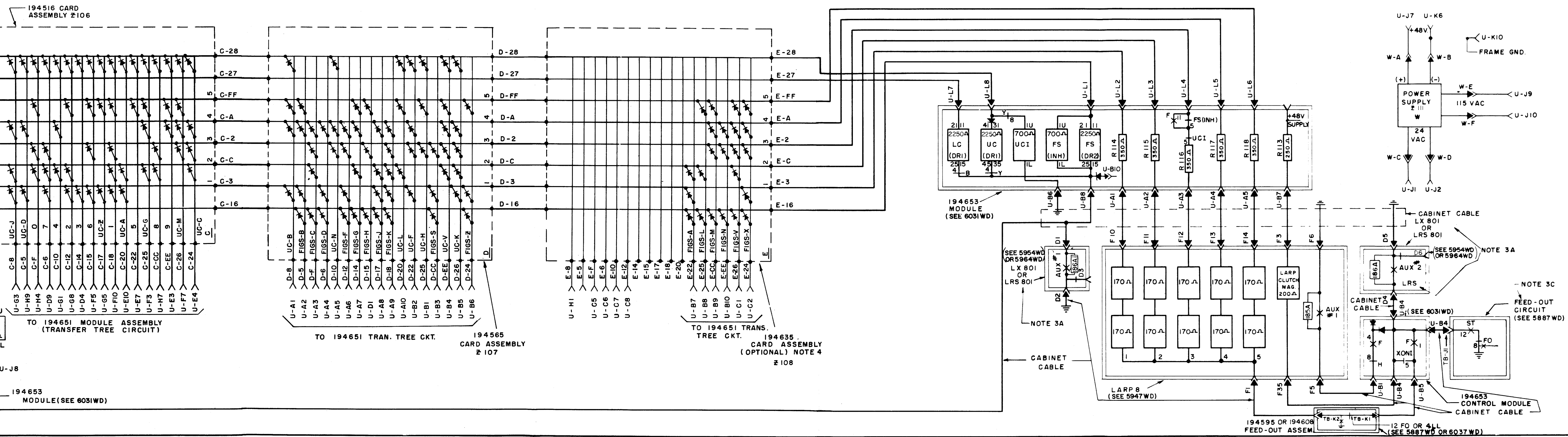
ENGD. P.H.B. APPD.

TELETYPE CORPORATION
6031 WD

NO	NOTES
1.	REFER TO 6032 WD FOR WIRING LIST
2.	<p>DR1 & DR2 293C 171516 (K138-K139) E, F, G, H, A, B, X, Y AF20 (K128-K129, K131-K134, K136-K137) 171511 XON I, FS (INH) UCI, SP AF54 (K125-K127, K142) 145003 C/Z AK 6 (K135) 171502 U CONNECTOR (50 PIN) J 120 174730 KLJ CONNECTOR (15 PIN) J 117-119 193040 POT 194596 R 120</p>
3.	ALL VOLTAGES DC UNLESS OTHERWISE SPECIFIED.
4.	TERMINAL 12 OF E AND C RELAYS AND 6M OF SP RELAY ARE USED AS TIE POINTS ONLY.
5.	TERMINAL DESIGNATIONS ENCLOSED IN PARENTHESES ARE FOR REFERENCE AND ARE NOT MARKED ON COMPONENTS.
6.	▷ INDICATES FEMALE AND → INDICATES MALE TERMINALS.



6033WD		
ISSUE	DATE	AUTH. NO.
2	7-31-63	77396
3	9-24-63	78176
4	6-24-64	82698
5	8-14-64	82330



SCHEMATIC
DIAGRAM
FOR
8 TO 5 LEVEL
CODE
CONVERTER
MATRIX
ASSEMBLY

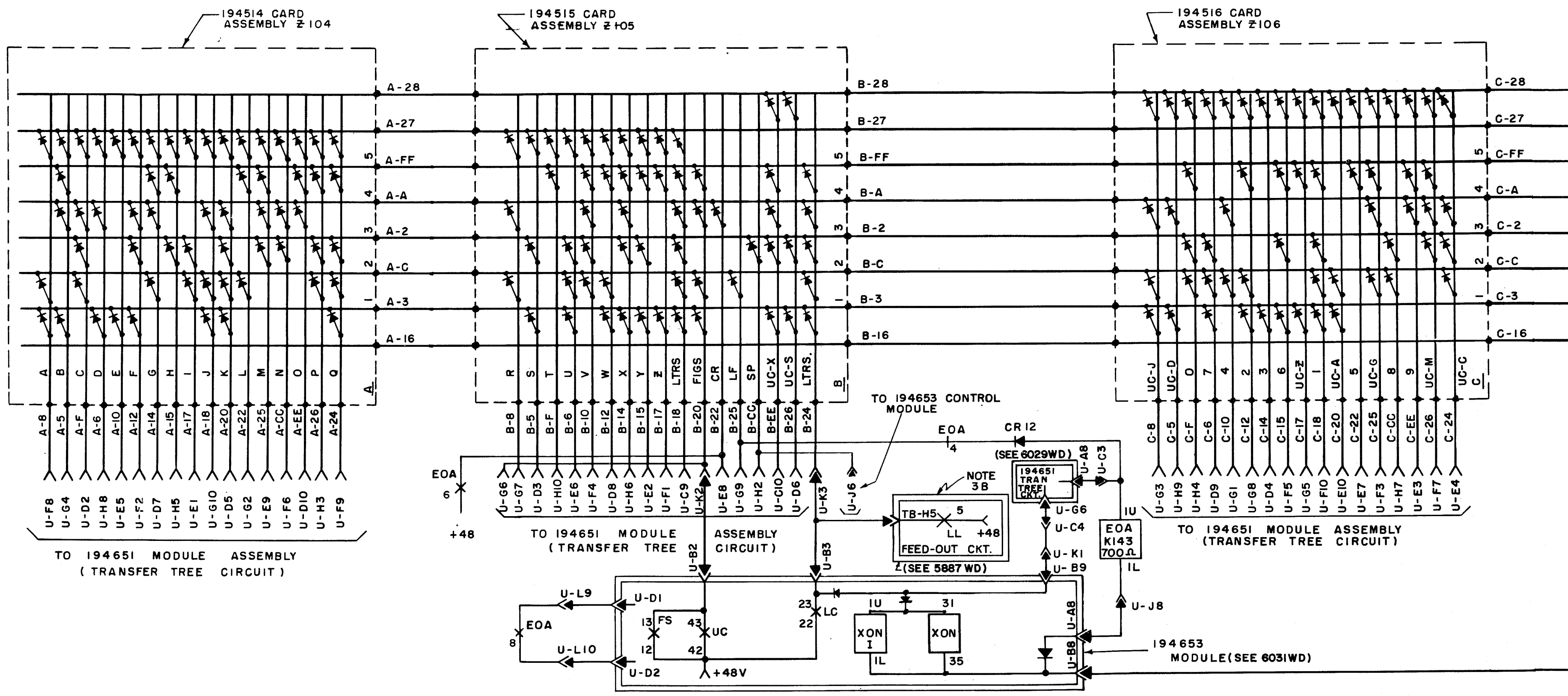
APPROVALS
D AND R: _____ E OF M: _____

NUMBER: _____
PROD. NO. 6033WD
DATE: 8-11-62
P.D. FILE NO. 3-95AA
DRAWN: _____ CHKD: _____
ENGD: PNB APPD: _____

TELETYPE
CORPORATION
6033WD

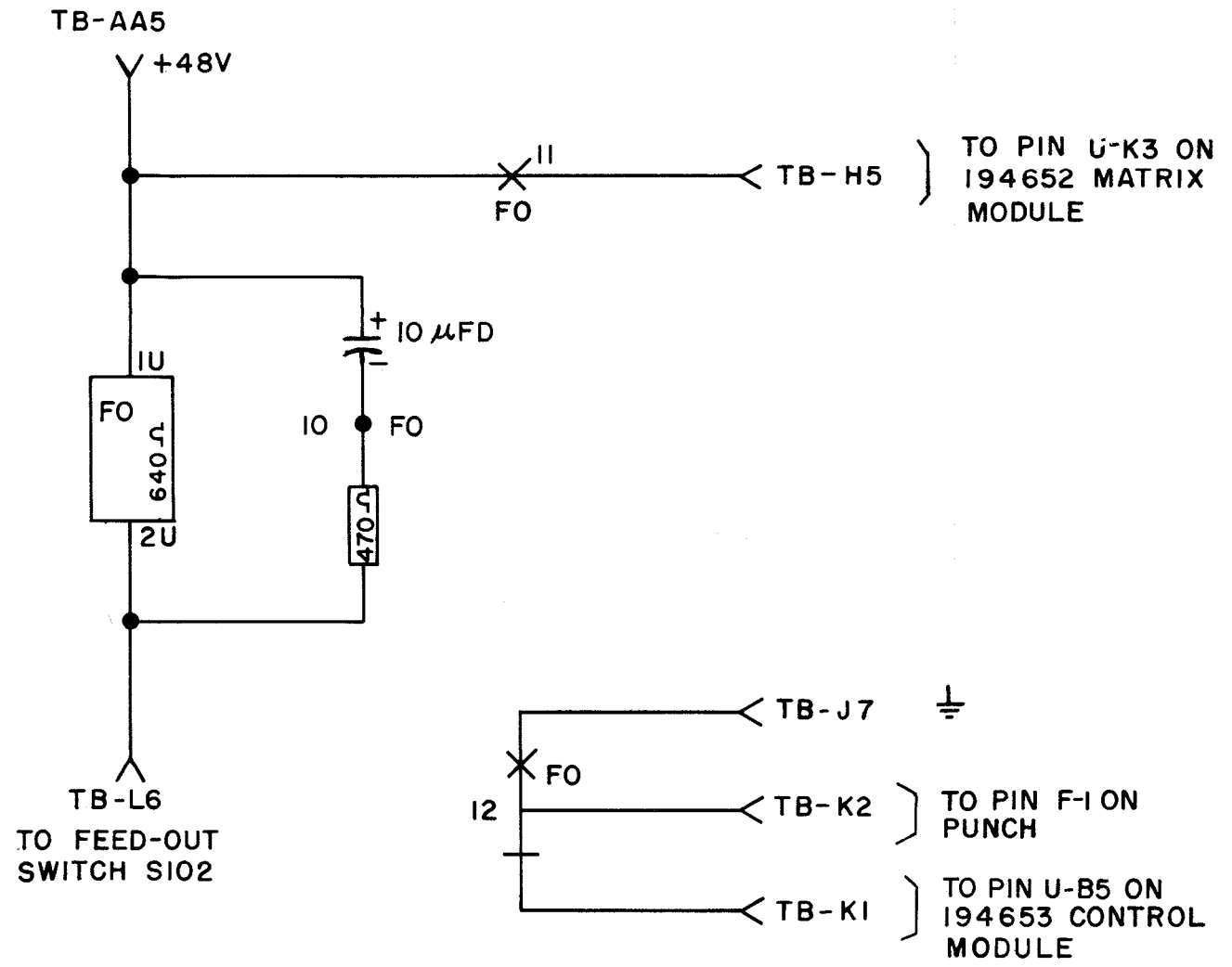
NOTE 3A
NOTE 3C
FEED-OUT CIRCUIT (SEE 5887WD)

NO	NOTES
1.	REFER TO 6034 WD FOR WIRING LIST.
2.	A-E CONNECTOR 193033 W CONNECTOR 171651
3A.	SIGNAL-TO-TAPE CONVERTER USES LRS 801 TAPE-TO-TAPE CONVERTER USES LX 801
3B.	CONTACT 5LL IS REPLACED BY CONTACT 11 FO IN THE TAPE-TO-TAPE CONVERTER.
3C.	CONTACT 8FO IS OMITTED AND CONTACT 12ST BECOMES A PUSH-BUTTON SWITCH, S102 CONTACT 1-4 IN THE TAPE-TO-TAPE CONVERTER.
4.	FOR CONVERSIONS TO ADDITIONAL 2-CHARACTER SEQUENCES USE CARD 194635.
5.	ALL VOLTAGES DC UNLESS OTHERWISE SPECIFIED.
6.	↖ INDICATES FEMALE AND ↗ INDICATES MALE TERMINALS.



NO.	NOTES
1.	FOR ACTUAL WD REFER TO 6038 WD.
2.	"TB" NUMBERS INDICATE CONNECTIONS TO TERMINAL BOARD IN 194605 SERVICE UNIT ASSEMBLY. REFER TO 6021WD
3.	ALL VOLTAGES DC UNLESS OTHERWISE SPECIFIED.
4.	Y INDICATES FEMALE TERMINAL.
5.	ALL CAPACITANCE VALUES IN MICROFARADS UNLESS OTHERWISE SPECIFIED.



6037 WD		
ISSUE	DATE	AUTH. NO.
2	7-30-64	83012

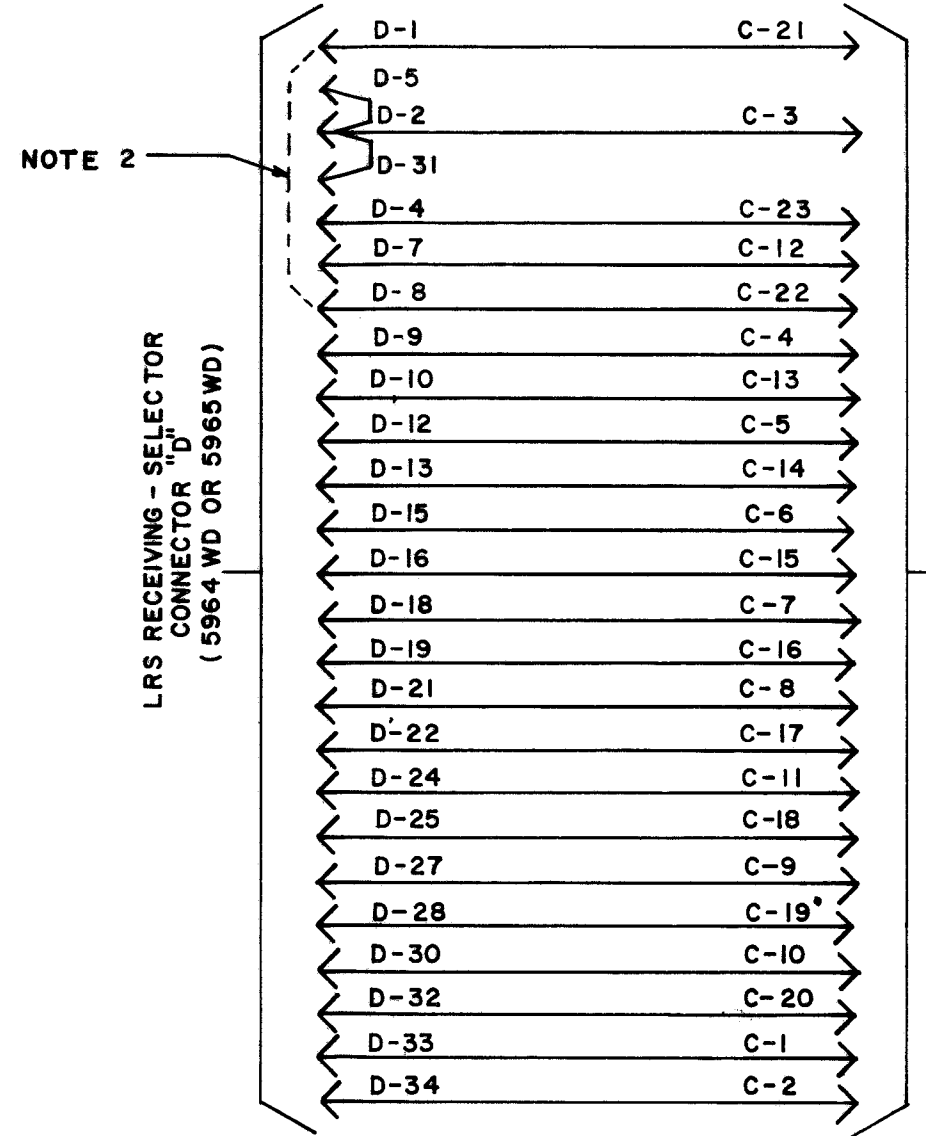


SCHEMATIC WIRING DIAGRAM

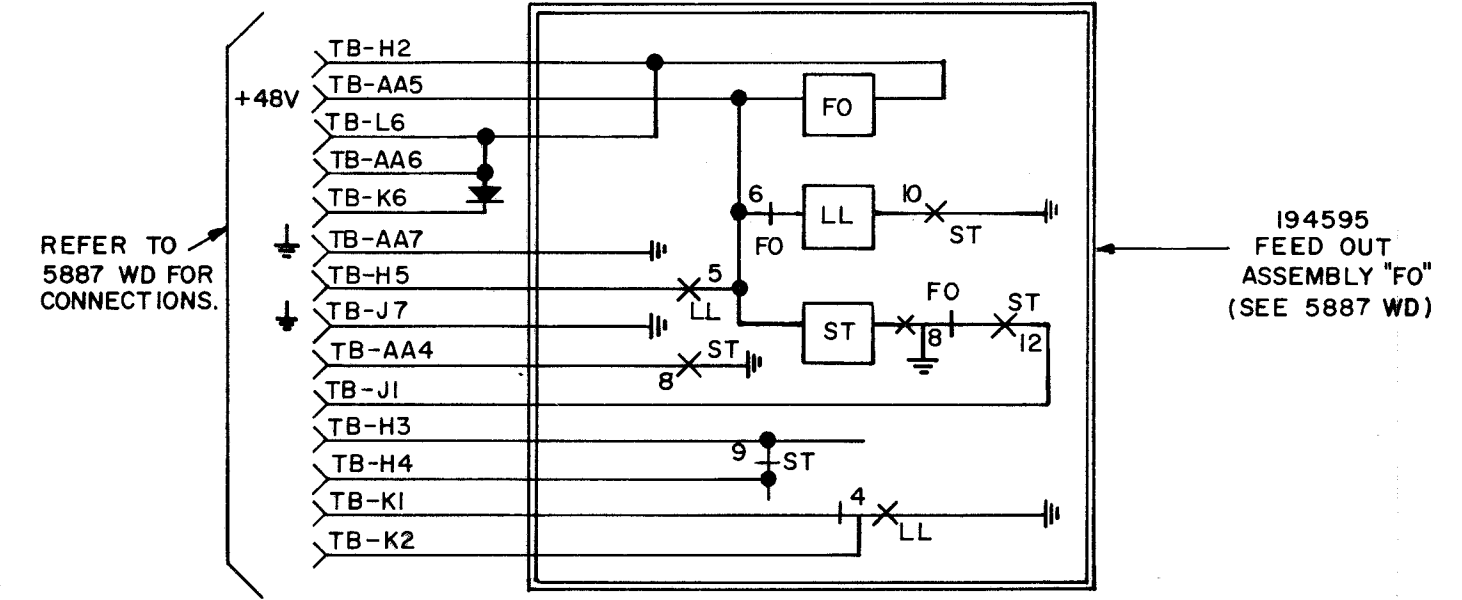
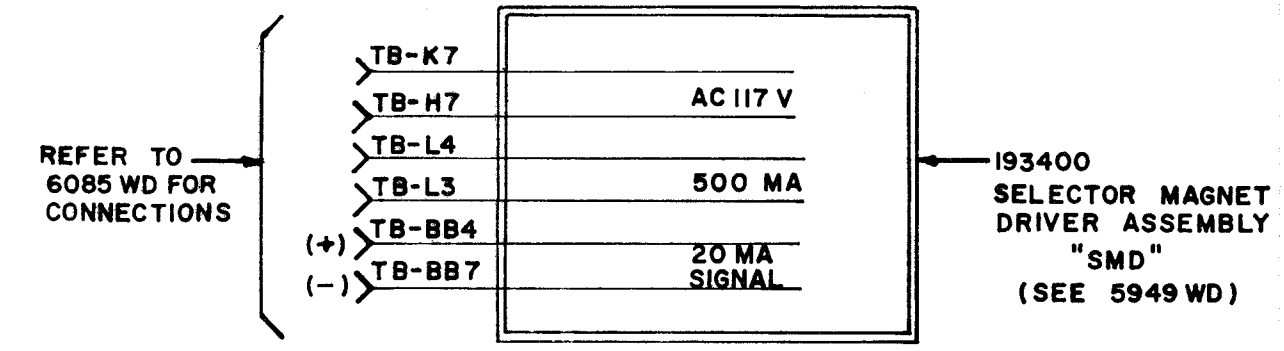
 194608
 FEED - OUT
 ASSEMBLY

APPROVALS	
D AND R <i>[Signature]</i>	E OF M <i>[Signature]</i>
E-NUMBER	
PROD. NO. 6037 WD	
DATE: 1 - 3 - 63	
P.D. FILE NO. 3 - 95 AAA	
DRAWN. <i>C.A.</i>	CHKD. <i>[Signature]</i>
ENG. <i>PHB</i>	APPD. <i>[Signature]</i>
TELETYPE CORPORATION	
6037 WD	

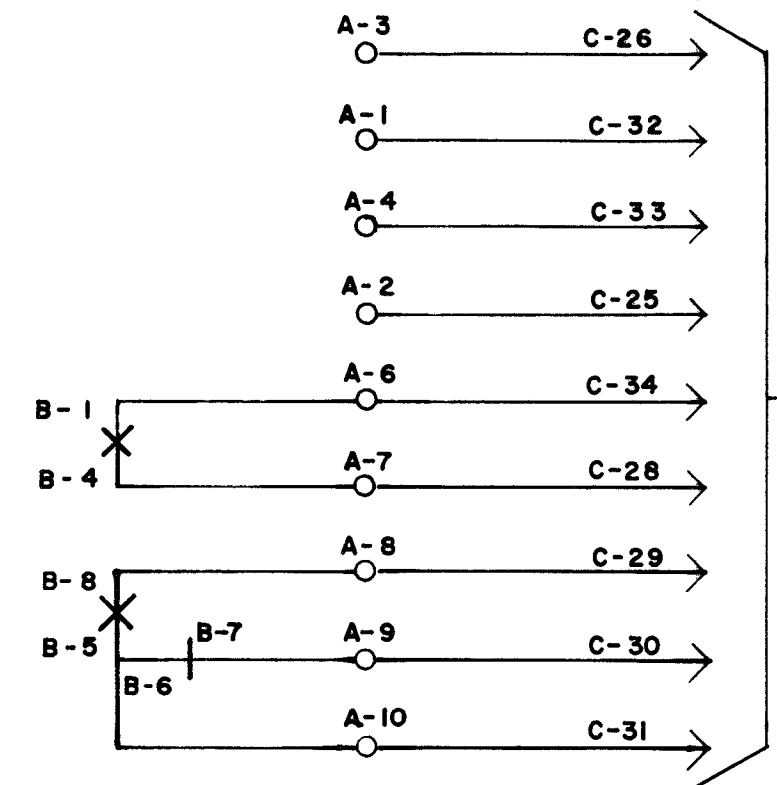
NO.	NOTES
1.	REFER TO 6084 WD FOR ACTUAL WD.
2.	THIS STRAP IS NOT PART OF THE 194698 CABLE ASSEMBLY BUT MUST BE ADDED WHEN THE CABLE IS USED AS PART OF THE VCL 317 ASSEMBLY.
3.	 INDICATES FEMALE AND  INDICATES MALE TERMINALS.
4.	ALL VOLTAGES DC UNLESS OTHERWISE SPECIFIED.



AC CABINET CABLE CONNECTOR "K" (6085 WD)



LOW-TAPE CONTACTS



AC CABINET CABLE CONNECTOR "K" (6085 WD)

6083 WD		
REVISIONS		
ISSUE	DATE	AUTH. NO.
2	9-24-63	78176
3	7-10-64	82965

SCHEMATIC WIRING DIAGRAM FOR SIGNAL TO TAPE PANEL ASSEMBLY VCL 282 AND VCL 317
193400, 194595, AND 194706 ASSEMBLIES

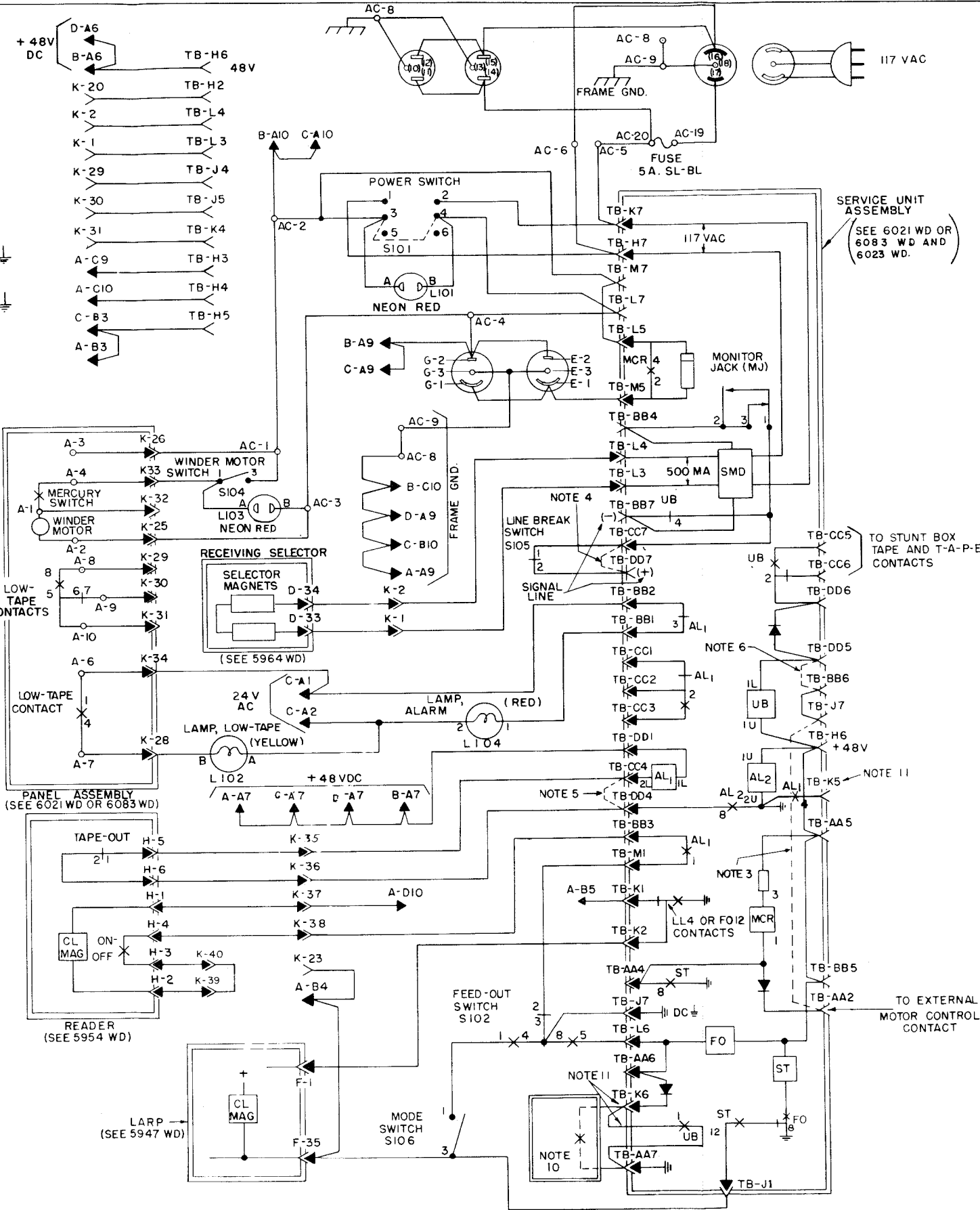
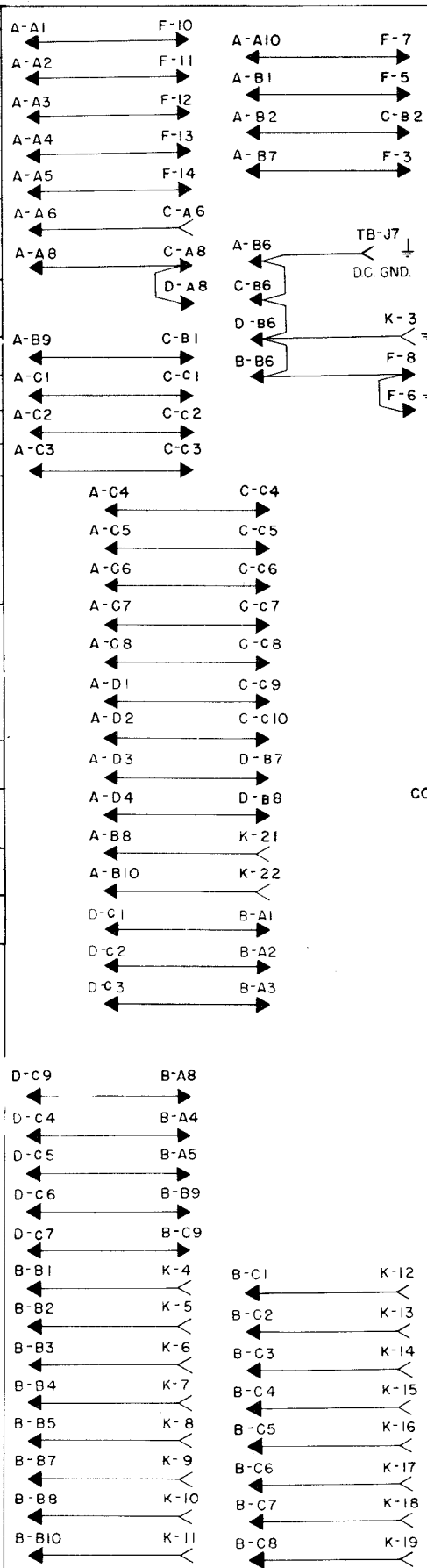
APPROVALS
R AND D E OF M

E-NUMBER
PROD. NO. 6083 WD

DATE: 2-2-63
R. & D. FILE NO. 3-95AAA
DRAWN C.G. CHKD.
ENGR. R.J.K. APPD. R.G.G.

TELETYPE CORPORATION
6083 WD

- NO** **NOTES**
- FOR WIRING LIST REFER TO 6035 WD
 - "A" CONNECTOR IS ON 194653 MODULE, 6031 WD.
"B" CONNECTOR IS ON 194650 MODULE, 6027 WD.
"C" CONNECTOR IS ON 194652 MODULE, 6033 WD.
"D" CONNECTOR IS ON 194651 MODULE, 6029 WD.
 - ADD STRAP ACROSS TB-AA2 & TB-J7 TO RUN MOTOR CONTINUOUSLY
 - ADD STRAP ACROSS TB-CC7 & TB-DD7 TO DISABLE LINE BREAK KEY
 - ADD STRAP ACROSS TB-CC4 & TB-DD4 WHEN CONVERTER IS USED AS A SIGNAL-TO-TAPE TRANSLATOR
 - ADD STRAP ACROSS TB-DD5 & TB-BB6 TO DISABLE BLINDING CIRCUIT
 - "TB" CONNECTIONS SHOWN ON 6023 WD
 - "F" CONNECTIONS SHOWN ON 5947 WD
 - "K" CONNECTIONS SHOWN ON 6021 WD
 - CIRCUIT IS WIRED FOR STUNT-BOX CONTROL OF FEED-OUT RELAY, FO, THROUGH UNBLIND RELAY, "UB". IF EXTERNAL CONTROL IS DESIRED DISCONNECT LEAD BETWEEN TB-K6 AND TB-AA7 AND CONNECT EXTERNAL CONTACT TO TERMINALS.
 - STRAP TB-K5 TO TB-K6 WHEN AUTOMATIC LTRS FEED-OUT IS REQUIRED FOR TAPE-TO-TAPE CONVERTERS AND REPLACE 194608 MANUAL FEED-OUT ASSEMBLY WITH 194595 AUTOMATIC FEED-OUT ASSEMBLY. REMOVE CONNECTION TO CONTACT 1UB AND TIE BACK.
 - ALL VOLTAGES DC UNLESS OTHERWISE SPECIFIED.
 - TERMINAL DESIGNATIONS ENCLOSED IN PARENTHESES ARE FOR REFERENCE AND NOT MARKED ON COMPONENT.
 - INDICATES FEMALE AND ← INDICATES MALE TERMINALS.



6085 WD		
ISSUE	DATE	AUTH. NO.
A-2	5-22-63	76489
B-3	9-4-63	77405
C-4	9-5-63	77874
D-5	9-24-63	78176
E-6	12-12-63	77435
F-7	6-9-64	82051
8	6-25-64	82698
9	9-1-64	83031
10	9-1-64	83056

SCHEMATIC WIRING DIAGRAM
AC 347
8-5 LEVEL CODE CONVERTER CABINET

APPROVALS

D AND R	E OF M
---------	--------

E-NUMBER
PROD. NO. 6085 WD

DATE: 2-5-63

P.D. FILE NO. 3-95 AAA

DRAWN CG **CHKD.** [Signature]
ENGD. PHB **APPD.** [Signature]

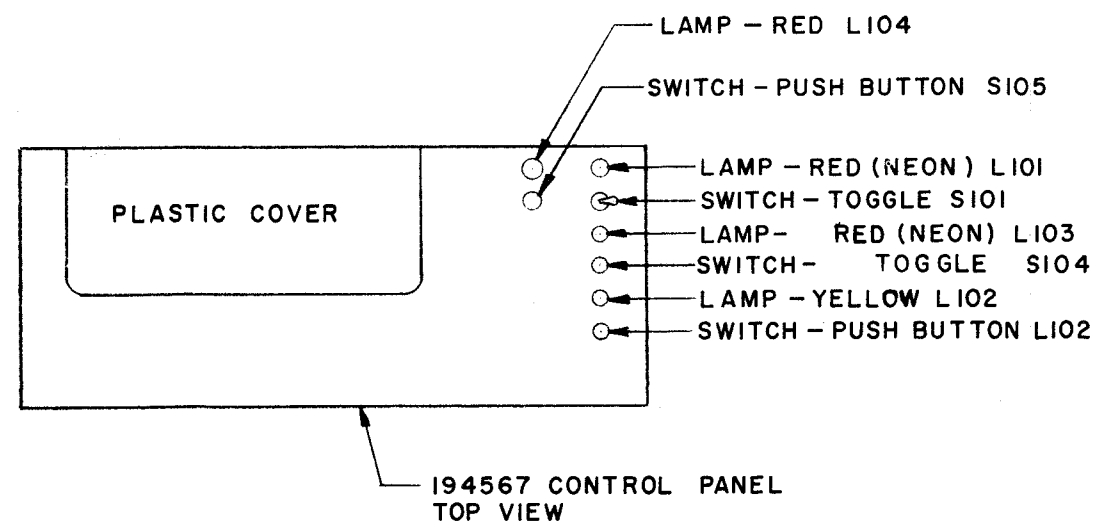
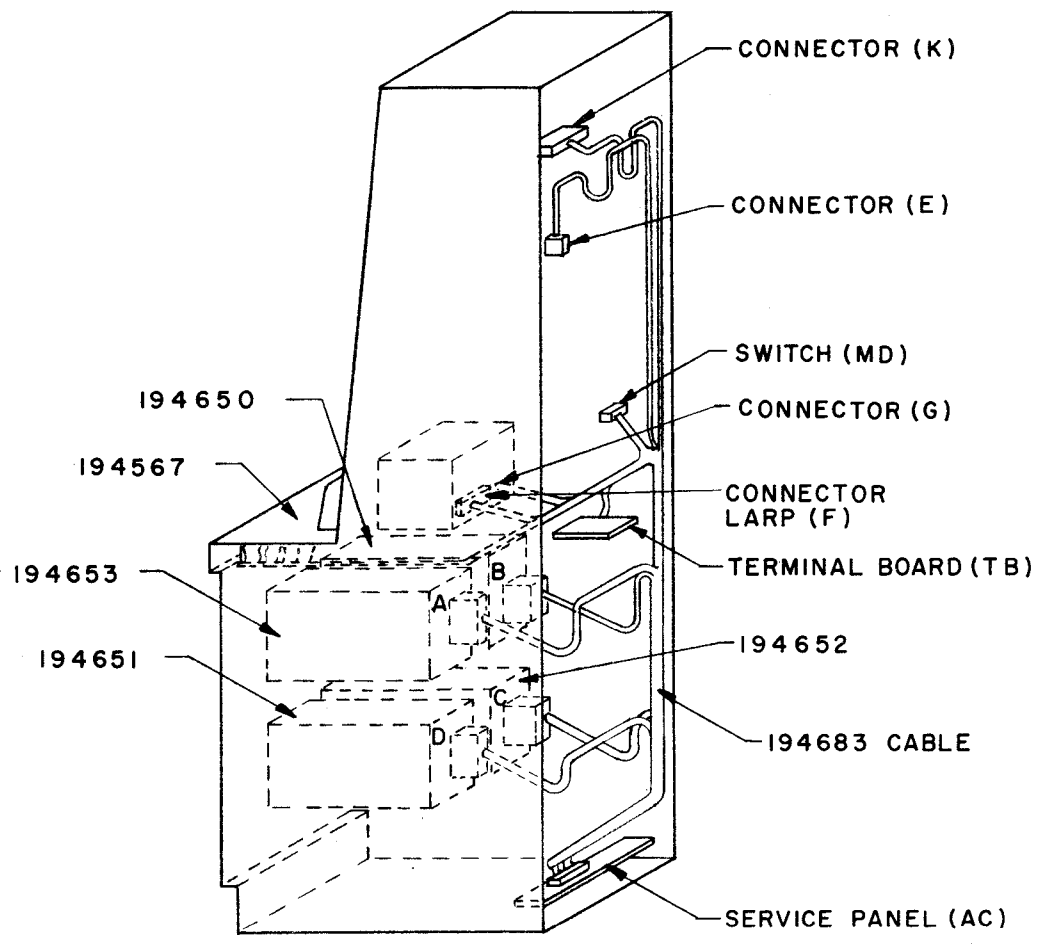
TELETYPE CORPORATION

6085WD

NO.	NOTES
1.	REFER TO 6035WD AND 6096 WD FOR WIRING INFORMATION.

6098WD

ISSUE	DATE	AUTH. NO.
A	12-12-63	77435



CABLE ROUTING
AC 347

APPROVALS

D AND R E OF M
[Handwritten signatures]

E-NUMBER
PROD. NO. 6098 WD

DATE: 3-30-63
P.D. FILE NO. 3-95 AAA
DRAWN. J.V.K. CHKD. *[Signature]*
ENG. R.J.K. APPD. *[Signature]*

TELETYPE CORPORATION
6098WD

EFT

6099WD

REVISIONS

ISSUE	DATE	AUTH. NO.
2	9-24-63	78716
3	12-12-63	77435
4	6-25-64	82698
5	8-14-64	83033

POWER SCHEMATIC
OF
8-5 LEVEL
CODE CONVERTER
AC 347

APPROVALS

D AND R E OF M

E-NUMBER

PROD. NO. 6099WD

DATE 3-16-63

R.D. FILE NO. 3-95 AAA

DRAWN CG

CHKD.

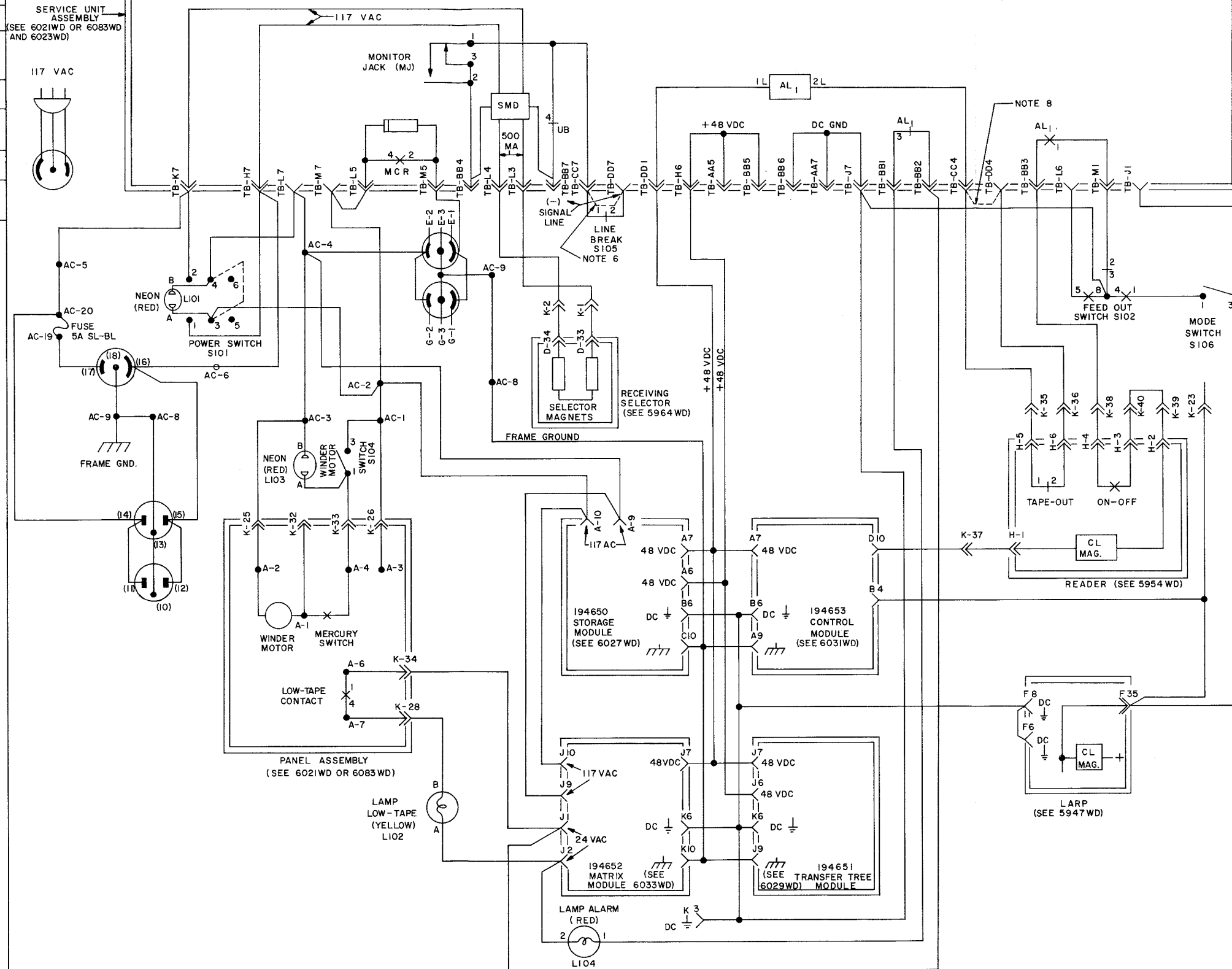
ENGD. RJK

APPD.

TELETYPE
CORPORATION

6099WD

- NO. NOTES
- FOR WIRING LIST REFER TO 6035WD.
 - FOR TRANSLATION SCHEMATIC REFER TO 6100WD.
 - ALL VOLTAGES DC UNLESS OTHERWISE SPECIFIED.
 - TERMINAL DESIGNATIONS ENCLOSED IN PARENTHESES ARE FOR REFERENCE AND ARE NOT MARKED ON COMPONENT.
 - INDICATES FEMALE AND ← INDICATES MALE TERMINALS.
 - ADD STRAP ACROSS TB-CC7 AND TB-DD7 TO DISABLE LINE BREAK KEY.
 -
 - ADD STRAP ACROSS TB-CC4 AND TB-DD4 WHEN CONVERTER IS USED AS A SIGNAL-TO-TAPE TRANSLATOR.

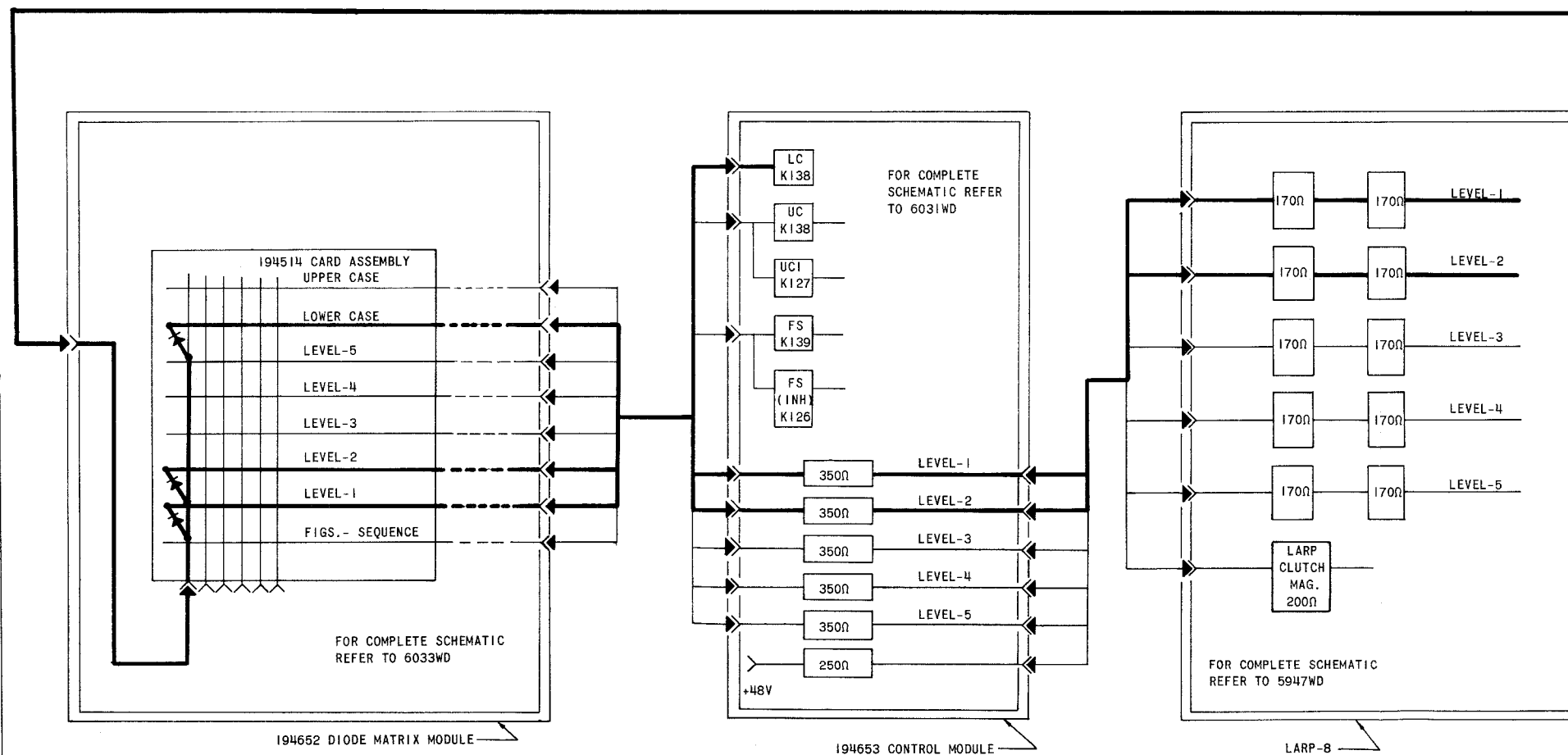
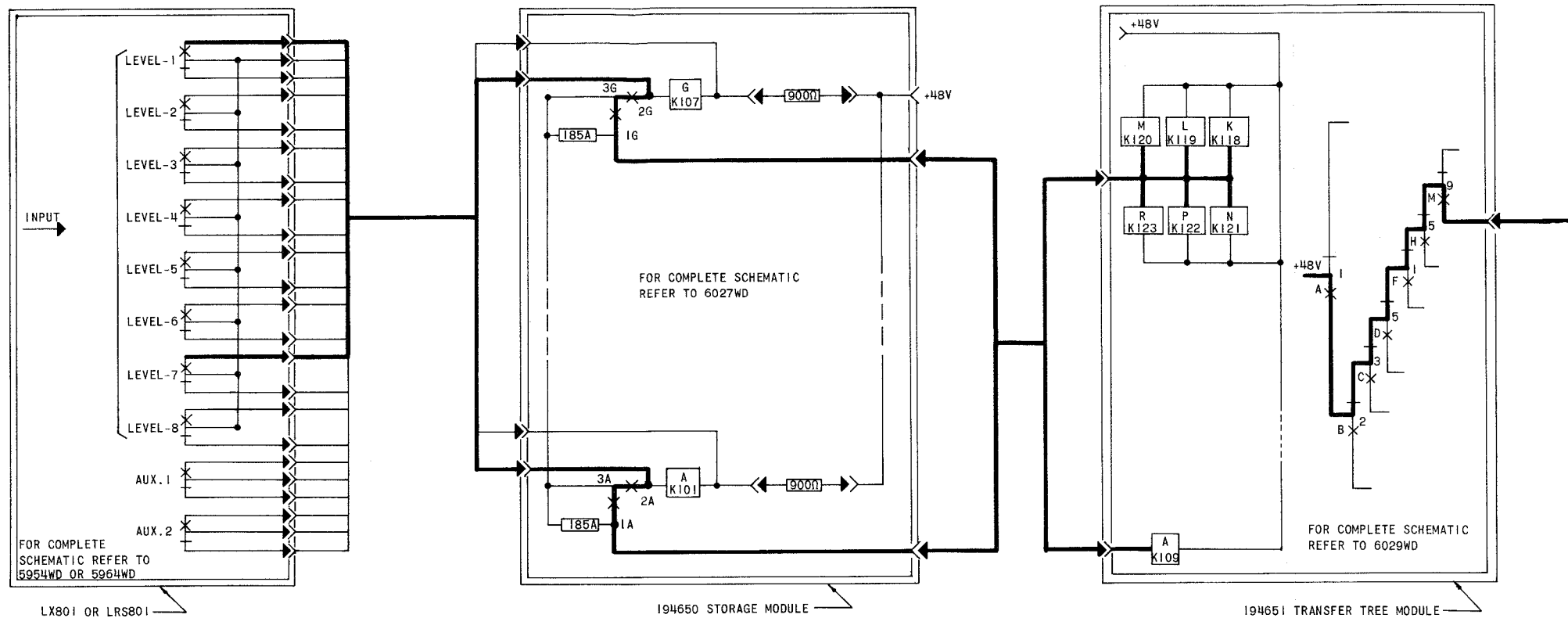


6100WD

REVISIONS

ISSUE	DATE	AUTH. NO.

NO. NOTES
1. HEAVY LINES INDICATE THE PATH OF THE CHARACTER "A" THROUGH THE CONVERTER.



TRANSLATION
SCHEMATIC
OF
8-TO-5 LEVEL
CODE
CONVERTER

APPROVALS

D AND B *[Signature]* E OF M *[Signature]*

E-NUMBER

PROD. NO. 6100WD

DATE 3-20-63

P.D. FILE NO.

DRAWN R.A.L. (C) CHKD. J.L. De B

ENGD. R.J.K. APPD. B.G.G.

TELETYPE
CORPORATION

6100WD

NO.	NOTES																																																							
1.	ALL TERMINALS INDICATED "Δ" ARE STRAPPED TOGETHER.																																																							
2.	ALL TERMINALS INDICATED "Φ" ARE STRAPPED TOGETHER.																																																							
3.	ANY CODE ALTERATIONS ARE TO BE MADE IN THE 194691 CONNECTOR.																																																							
4.	<p>COLOR CODE IDENTIFICATION:</p> <table border="0"> <tr> <td>BL - BLUE</td> <td>Y - YELLOW</td> </tr> <tr> <td>BK - BLACK</td> <td>R - RED</td> </tr> <tr> <td>W - WHITE</td> <td>S - SLATE</td> </tr> <tr> <td>P - PURPLE</td> <td>BR - BROWN</td> </tr> <tr> <td>G - GREEN</td> <td>O - ORANGE</td> </tr> </table> <table border="0"> <tr> <td>S-G - SLATE-GREEN</td> </tr> <tr> <td>W-R-P - WHITE-RED-PURPLE</td> </tr> <tr> <td>W-G-BL - WHITE-GREEN-BLUE</td> </tr> <tr> <td>W-G-BR - WHITE-GREEN-BROWN</td> </tr> <tr> <td>W-G-P - WHITE-GREEN-PURPLE</td> </tr> <tr> <td>W-G-R - WHITE-GREEN-RED</td> </tr> <tr> <td>W-G-BK - WHITE-GREEN-BLACK</td> </tr> <tr> <td>W-BL-R - WHITE-BLUE-RED</td> </tr> <tr> <td>W-BL-G - WHITE-BLUE-GREEN</td> </tr> <tr> <td>W-P-BL - WHITE-PURPLE-BLUE</td> </tr> <tr> <td>W-BL-BK - WHITE-BLUE-BLACK</td> </tr> <tr> <td>W-BL-BR - WHITE-BLUE-BROWN</td> </tr> <tr> <td>W-BL-P - WHITE-BLUE-PURPLE</td> </tr> <tr> <td>W-BR-BK - WHITE-BROWN-BLACK</td> </tr> <tr> <td>W-BR-P - WHITE-BROWN-PURPLE</td> </tr> <tr> <td>W-P-R - WHITE-PURPLE-RED</td> </tr> <tr> <td>Y-BR - YELLOW-BROWN</td> </tr> <tr> <td>Y-O - YELLOW-ORANGE</td> </tr> <tr> <td>Y-P - YELLOW-PURPLE</td> </tr> <tr> <td>S-BK - SLATE-BLACK</td> </tr> <tr> <td>S-BR - SLATE-BROWN</td> </tr> <tr> <td>W-BK - WHITE-BLACK</td> </tr> <tr> <td>W-O - WHITE-ORANGE</td> </tr> <tr> <td>W-BL - WHITE-BLUE</td> </tr> <tr> <td>W-Y - WHITE-YELLOW</td> </tr> <tr> <td>W-P - WHITE-PURPLE</td> </tr> <tr> <td>W-G - WHITE-GREEN</td> </tr> <tr> <td>W-R - WHITE-RED</td> </tr> <tr> <td>W-S - WHITE-SLATE</td> </tr> <tr> <td>W-BR - WHITE-BROWN</td> </tr> <tr> <td>S-O - SLATE-ORANGE</td> </tr> <tr> <td>Y-G - YELLOW-GREEN</td> </tr> <tr> <td>BK-Y - BLACK-YELLOW</td> </tr> <tr> <td>R-BL - RED-BLUE</td> </tr> <tr> <td>R-G - RED-GREEN</td> </tr> <tr> <td>R-Y - RED-YELLOW</td> </tr> <tr> <td>BR-BL - BROWN-BLUE</td> </tr> <tr> <td>BR-G - BROWN-GREEN</td> </tr> <tr> <td>BR-Y - BROWN-YELLOW</td> </tr> <tr> <td>BK-BL - BLACK-BLUE</td> </tr> <tr> <td>BK-G - BLACK-GREEN</td> </tr> <tr> <td>BK-R - BLACK-RED</td> </tr> <tr> <td>R-O - RED-ORANGE</td> </tr> <tr> <td>R-S - RED-SLATE</td> </tr> <tr> <td>R-BR - RED-BROWN</td> </tr> </table>	BL - BLUE	Y - YELLOW	BK - BLACK	R - RED	W - WHITE	S - SLATE	P - PURPLE	BR - BROWN	G - GREEN	O - ORANGE	S-G - SLATE-GREEN	W-R-P - WHITE-RED-PURPLE	W-G-BL - WHITE-GREEN-BLUE	W-G-BR - WHITE-GREEN-BROWN	W-G-P - WHITE-GREEN-PURPLE	W-G-R - WHITE-GREEN-RED	W-G-BK - WHITE-GREEN-BLACK	W-BL-R - WHITE-BLUE-RED	W-BL-G - WHITE-BLUE-GREEN	W-P-BL - WHITE-PURPLE-BLUE	W-BL-BK - WHITE-BLUE-BLACK	W-BL-BR - WHITE-BLUE-BROWN	W-BL-P - WHITE-BLUE-PURPLE	W-BR-BK - WHITE-BROWN-BLACK	W-BR-P - WHITE-BROWN-PURPLE	W-P-R - WHITE-PURPLE-RED	Y-BR - YELLOW-BROWN	Y-O - YELLOW-ORANGE	Y-P - YELLOW-PURPLE	S-BK - SLATE-BLACK	S-BR - SLATE-BROWN	W-BK - WHITE-BLACK	W-O - WHITE-ORANGE	W-BL - WHITE-BLUE	W-Y - WHITE-YELLOW	W-P - WHITE-PURPLE	W-G - WHITE-GREEN	W-R - WHITE-RED	W-S - WHITE-SLATE	W-BR - WHITE-BROWN	S-O - SLATE-ORANGE	Y-G - YELLOW-GREEN	BK-Y - BLACK-YELLOW	R-BL - RED-BLUE	R-G - RED-GREEN	R-Y - RED-YELLOW	BR-BL - BROWN-BLUE	BR-G - BROWN-GREEN	BR-Y - BROWN-YELLOW	BK-BL - BLACK-BLUE	BK-G - BLACK-GREEN	BK-R - BLACK-RED	R-O - RED-ORANGE	R-S - RED-SLATE	R-BR - RED-BROWN
BL - BLUE	Y - YELLOW																																																							
BK - BLACK	R - RED																																																							
W - WHITE	S - SLATE																																																							
P - PURPLE	BR - BROWN																																																							
G - GREEN	O - ORANGE																																																							
S-G - SLATE-GREEN																																																								
W-R-P - WHITE-RED-PURPLE																																																								
W-G-BL - WHITE-GREEN-BLUE																																																								
W-G-BR - WHITE-GREEN-BROWN																																																								
W-G-P - WHITE-GREEN-PURPLE																																																								
W-G-R - WHITE-GREEN-RED																																																								
W-G-BK - WHITE-GREEN-BLACK																																																								
W-BL-R - WHITE-BLUE-RED																																																								
W-BL-G - WHITE-BLUE-GREEN																																																								
W-P-BL - WHITE-PURPLE-BLUE																																																								
W-BL-BK - WHITE-BLUE-BLACK																																																								
W-BL-BR - WHITE-BLUE-BROWN																																																								
W-BL-P - WHITE-BLUE-PURPLE																																																								
W-BR-BK - WHITE-BROWN-BLACK																																																								
W-BR-P - WHITE-BROWN-PURPLE																																																								
W-P-R - WHITE-PURPLE-RED																																																								
Y-BR - YELLOW-BROWN																																																								
Y-O - YELLOW-ORANGE																																																								
Y-P - YELLOW-PURPLE																																																								
S-BK - SLATE-BLACK																																																								
S-BR - SLATE-BROWN																																																								
W-BK - WHITE-BLACK																																																								
W-O - WHITE-ORANGE																																																								
W-BL - WHITE-BLUE																																																								
W-Y - WHITE-YELLOW																																																								
W-P - WHITE-PURPLE																																																								
W-G - WHITE-GREEN																																																								
W-R - WHITE-RED																																																								
W-S - WHITE-SLATE																																																								
W-BR - WHITE-BROWN																																																								
S-O - SLATE-ORANGE																																																								
Y-G - YELLOW-GREEN																																																								
BK-Y - BLACK-YELLOW																																																								
R-BL - RED-BLUE																																																								
R-G - RED-GREEN																																																								
R-Y - RED-YELLOW																																																								
BR-BL - BROWN-BLUE																																																								
BR-G - BROWN-GREEN																																																								
BR-Y - BROWN-YELLOW																																																								
BK-BL - BLACK-BLUE																																																								
BK-G - BLACK-GREEN																																																								
BK-R - BLACK-RED																																																								
R-O - RED-ORANGE																																																								
R-S - RED-SLATE																																																								
R-BR - RED-BROWN																																																								

NO.	NOTES
	O-G - ORANGE-GREEN O-S - ORANGE-SLATE O-BR - ORANGE-BROWN BK-S - BLACK-SLATE BK-BR - BLACK-BROWN BL-S - BLUE-SLATE BL-G - BLUE-GREEN S-Y - SLATE-YELLOW G-S - GREEN-SLATE BR-S - BROWN-SLATE W-BK-R - WHITE-BLACK-RED W-O-G - WHITE-ORANGE-GREEN W-O-BL - WHITE-ORANGE-BLUE W-BK-O - WHITE-BLACK-ORANGE W-BK-P - WHITE-BLACK-PURPLE W-BK-G - WHITE-BLACK-GREEN W-R-G - WHITE-RED-GREEN W-R-Y - WHITE-RED-YELLOW W-O-BR - WHITE-ORANGE-BROWN BK-O - BLACK-ORANGE W-R-BK - WHITE-RED-BLACK
5.	TERMINAL DESIGNATIONS ENCLOSED IN PARENTHESES ARE FOR REFERENCE AND ARE NOT MARKED ON COMPONENT.

6368WD		
ISSUE	DATE	AUTH. NO.
2	8-11-64	83020
3	9-25-64	83011-1

194651 TRANSFER TREE END OF CABLE

	(10)	(9)	(8)	(7)	(6)	(5)	(4)	(3)	(2)	(1)
(A)	* Δ	TAPE Δ	EOA W	> Δ	< Δ	FORM Δ	TAPE Δ	EOT Δ	(Δ	@ Δ
(B)	= Δ	% Δ) Δ	TAB Δ	! Δ	SOM Δ	ESC Δ	RU Δ	:	\ Δ
(C)	/ G	LTRS P	? Δ	' Δ	; Δ	+ Δ	VT Δ	XOFF Δ	# Δ	ALT MODE Δ
(D)	O W-G	7 W-P	W W-Y	G W-BL	BELL W-O	K W-BK	3 BR	S S	C R	EOM Y ●
(E)	- BR-BL	M R-Y	CR R-G	5 R-BL	U BK-Y	E Y-G	WRU BL	9 W-BR	Y W-S	I W-R
(F)	1 O-S	Q O-G	A R-BK	. R-S	N R-O	6 BK-R	V BK-G	8 BK-BL	F BR-Y	Z BR-G
(G)	J W-O-G	LF W-BK-R	2 BR-S	R G-S	XON Δ	" BL-G	' BL-S	L BK-BR	4 BK-S	O-BR
(H)	T W-R-BK	\$ BK-O	D W-O-BR	8 W-R-Y	X W-R-G	H W-BK-G	O (ZERO) W-BK-P	P W-BK-O	SP W-O-BL	BLANK O

WIRING SIDE OF 194691 CONNECTOR

194652 DIODE MATRIX END OF CABLE

	(10)	(9)	(8)	(7)	(6)	(5)	(4)	(3)	(2)	(1)
(A)	UC-L	FIGS-K	FIGS-J	FIGS-G	FIGS-F	UC-N	FIGS-D	FIGS-C	FIGS-B	UC-B
(B)	W-BL-R	W-G-BK	W-G-R	W-G-P	W-G-BR	BK	W-G-BL	BL	W-R-P	S-G
(C)	FIGS-N	FIGS-M	FIGS-L	FIGS-A	FIGS-Z	UC-K	UC-V	FIGS-S	UC-F	UC-H
(D)	Y-O	Y-BR	W-P-R	W-BR-P	W-BR-BK	W-BL-P	W-BL-BR	W-BL-BK	W-P-BL	W-BL-G
(E)	UC-X	LTRS.					BLANK LTRS. S-BR	CR-LF	FIGS-X	FIGS-V
(F)	G	P					W	S-BK	Y-P	
(G)	O W-G	7 W-P	W W-Y	G W-BL	UC-S W-O	K W-BK	3 BR	S S	C R	FIGS H Y
(H)	UC-A BR-BL	M R-Y	CR R-G	5 R-BL	U BK-Y	E Y-G	UC-C S-O	9 W-BR	Y W-S	I W-R
(I)	I O-S	Q O-G	A R-BR	UC-M R-S	N R-O	6 BK-R	V BK-G	UC-G BK-BL	F BR-Y	Z BR-G
(J)	J W-O-G	LF W-BK-R	2 BR-S	R G-S	FIGS S-Y	UC-Z BL-G	B BL-S	UC-J BK-BR	L BK-S	4 O-BR
(K)	T W-R-BK	UC-D BK-O	D W-O-BR	8 W-R-Y	X W-R-G	H W-BK-G	O (ZERO) W-BK-P	P W-BK-O	SP W-O-BL	BLANK O

WIRING SIDE OF 174723 CONNECTOR

TRANSLATION CHART FOR 194643 CABLE ASSEMBLY (ARRANGEMENT "C") USED ON 8 TO 5 CODE CONVERTERS

APPROVALS	
D AND R	E OF M
E-NUMBER	
PROD. NO. 6368WD	
DATE: 4-16-63	
P.D. FILE NO 3-95AAA	
DRAWN L.J.F.	CHKD
ENGR R.J.K.	APPD
TELETYPE CORPORATION	
6368WD	

NO.	NOTES
1.	ALL TERMINALS INDICATED "Δ" ARE STRAPPED TOGETHER.
2.	ANY CODE ALTERATIONS ARE TO BE MADE IN THE 194691 CONNECTOR.
3.	COLOR CODE IDENTIFICATION: BL - BLUE Y - YELLOW BK - BLACK R - RED W - WHITE S - SLATE P - PURPLE BR - BROWN G - GREEN O - ORANGE S-G - SLATE-GREEN W-R-P - WHITE-RED-PURPLE W-G-BL - WHITE-GREEN-BLUE W-G-BR - WHITE-GREEN-BROWN W-G-P - WHITE-GREEN-PURPLE W-G-R - WHITE-GREEN-RED W-G-BK - WHITE-GREEN-BLACK W-BL-R - WHITE-BLUE-RED W-BL-G - WHITE-BLUE-GREEN W-P-BL - WHITE-PURPLE-BLUE W-BL-BK - WHITE-BLUE-BLACK W-BL-BR - WHITE-BLUE-BROWN W-BL-P - WHITE-BLUE-PURPLE W-BR-BK - WHITE-BROWN-BLACK W-BR-P - WHITE-BROWN-PURPLE W-P-R - WHITE-PURPLE-RED Y-BR - YELLOW-BROWN Y-O - YELLOW-ORANGE Y-P - YELLOW-PURPLE S-BK - SLATE-BLACK S-BR - SLATE-BROWN W-BK - WHITE-BLACK W-O - WHITE-ORANGE W-BL - WHITE-BLUE W-Y - WHITE-YELLOW W-P - WHITE-PURPLE W-G - WHITE-GREEN W-R - WHITE-RED W-S - WHITE-SLATE W-BR - WHITE-BROWN S-O - SLATE-ORANGE Y-G - YELLOW-GREEN BK-Y - BLACK-YELLOW R-BL - RED-BLUE R-G - RED-GREEN R-Y - RED-YELLOW BR-BL - BROWN-BLUE BR-G - BROWN-GREEN BR-Y - BROWN-YELLOW BK-BL - BLACK-BLUE BK-G - BLACK-GREEN BK-R - BLACK-RED R-O - RED-ORANGE R-S - RED-SLATE R-BR - RED-BROWN O-G - ORANGE-GREEN O-S - ORANGE-SLATE
4.	TERMINAL DESIGNATIONS ENCLOSED IN PARENTHESES ARE FOR REFERENCE AND ARE NOT MARKED ON COMPONENT.

NO.	NOTES
	O-BR - ORANGE-BROWN BK-S - BLACK-SLATE BK-BR - BLACK-BROWN BL-S - BLUE-SLATE BL-G - BLUE-GREEN S-Y - SLATE-YELLOW G-S - GREEN-SLATE BR-S - BROWN-SLATE W-BK-R - WHITE-BLACK-RED W-O-G - WHITE-ORANGE-GREEN W-O-BL - WHITE-ORANGE-BLUE W-BK-O - WHITE-BLACK-ORANGE W-BK-P - WHITE-BLACK-PURPLE W-BK-G - WHITE-BLACK-GREEN W-R-G - WHITE-RED-GREEN W-R-Y - WHITE-RED-YELLOW W-O-BR - WHITE-ORANGE-BROWN BK-O - BLACK-ORANGE W-R-BK - WHITE-RED-BLACK

194651 TRANSFER TREE END OF CABLE

	(10)	(9)	(8)	(7)	(6)	(5)	(4)	(3)	(2)	(1)
(A)	(*) Δ	TAPE Δ	EOA W	> Δ	< Δ	FORM Δ	TAPE Δ	EOT Δ	(W-BL-P Δ	⊙ Δ
(B)	= Δ	% Δ) W-BL-R Δ	TAB Δ	Δ	SOM Δ	ESC Δ	RU Δ	(: Δ	\ Δ
(C)	/ G	LTRS P	? S-G	(' BK-BR	(;) W-BL-BR	+ Δ	VT Δ	X OFF Δ	(# W-BL-G Δ	ALT MODE Δ
(D)	0 W-G	7 W-P	W W-Y	G W-BL	BELL W-O	K W-BK	3 BR	S S	C R	EOM Δ
(E)	(-) BR-BL	M R-Y	CR R-G	5 R-BL	U BK-Y	E Y-G	WRU BL	9 W-BR	Y W-S	I W-R
(F)	I O-S	Q O-G	A R-BR	(.) R-S	N R-O	6 BK-R	V BK-G	8 BK-BL	F BR-Y	Z BR-G
(G)	J W-O-G	LF W-BK-R	2 BR-S	R G-S	X ON Δ	(") BL-G	B BL-S	(, COMMA BK	L BK-S	4 O-BR
(H)	T W-R-BK	\$ BK-O	D W-O-BR	8 W-R-Y	X W-R-G	H W-BK-G	ZERO W-BK-P	P W-BK-O	SP W-O-BL	BLANK O

WIRING SIDE OF 194691 CONNECTOR

194652 DIODE MATRIX END OF CABLE

	(10)	(9)	(8)	(7)	(6)	(5)	(4)	(3)	(2)	(1)
(A)	UC-L W-BL-R	FIGS-K W-G-BK	FIGS-J W-G-R	FIGS-G W-G-P	FIGS-F W-G-BR	UC-N BK	FIGS-D W-G-BL	FIGS-C BL	FIGS-B W-R-P	UC-B S-G
(B)	FIGS-N Y-O	FIGS-M Y-BR	FIGS-L W-P-R	FIGS-A W-BR-P	FIGS-Z W-BR-BK	UC-K W-BL-P	UC-V W-BL-BR	FIGS-S W-BL-BK	UC-F W-P-BL	UC-H W-BL-G
(C)	UC-X G	LTRS P					BLANK -LTRS S-BR	CR-LF W	FIGS-X S-BK	FIGS-V Y-P
(D)	0 W-G	7 W-P	W W-Y	G W-BL	UC-S W-O	K W-BK	3 BR	S S	C R	FIGS-H Y
(E)	UC-A BR-BL	M R-Y	CR R-G	5 R-BL	U BK-Y	E Y-G	UC-C S-O	9 W-BR	Y W-S	I W-R
(F)	I O-S	Q O-G	A R-BR	UC-M R-S	N R-O	6 BK-R	V BK-G	UC-G BK-BL	F BR-Y	Z BR-G
(G)	J W-O-G	LF W-BK-R	2 BR-S	R FIGS G-S	UC-Z S-Y	B BL-G	UC-J BL-S	L BK-BR	4 BK-S	O-BR
(H)	T W-R-BK	UC-D BK-O	D W-O-BR	8 W-R-Y	X W-R-G	H W-BK-G	(ZERO) W-BK-P	P W-BK-O	SP W-O-BL	BLANK O

WIRING SIDE OF 174723 CONNECTOR

6369WD

ISSUE	DATE	AUTH NO.
2	8-11-64	83020

TRANSLATION CHART FOR 194644 CABLE ASSEMBLY (ARRANGEMENT "A") USED ON 8 TO 5 CODE CONVERTERS

APPROVALS

D AND R	E OF M
---------	--------

E-NUMBER
 PROD. NO. 6369WD

DATE: 5-14-63
 P.D. FILE NO. 3-95AAA
 DRAWN L.J.F. CHKD
 ENGD R.J.K. APPD

TELETYPE CORPORATION
 6369WD