



BULLETIN 1159B

PARTS

MODEL 28
MULTIPLE WIRE DISTRIBUTOR
(LD)

TELETYPE[®]
CORPORATION
SUBSIDIARY OF *Western Electric Company* INC.
SKOKIE, ILLINOIS, U. S. A.

LIST OF EFFECTIVE PAGES

MAY, 1961

(Supersedes September, 1959 issue)

| Page Number | Change In Effect |
|-------------|------------------|
| A to E | Change 2 |
| 1-1 to 1-9 | Change 2 |
| 2-1 to 2-8 | Change 2 |
| 3-1 to 3-3 | Change 2 |



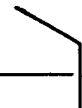


The above list indicates the effective pages as of the date of issue. Upon receipt of change pages, insert them numerically and discard any superseded pages.

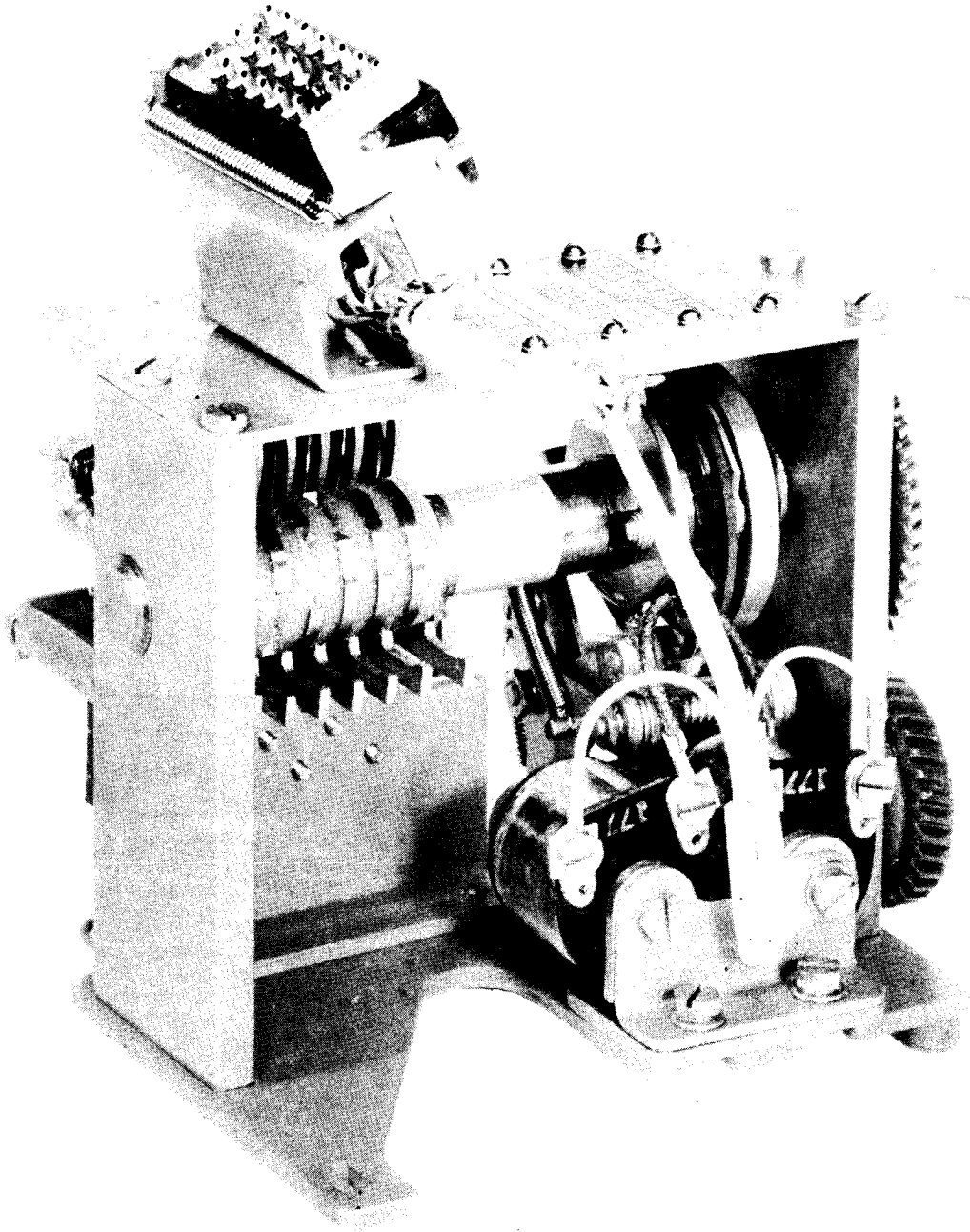
TABLE OF CONTENTS

| Figure Number | | Page Number |
|---|--|----------------|
| SECTION 1 - DISTRIBUTORS (MARK I) | | |
| 1-1 | Frame Assembly | 1-2 |
| 1-2 | Main Shaft Mechanism | 1-3 |
| 1-3 | Contact Assembly and Clutch Trip Mechanism | 1-4 |
| 1-4 | 153921 and 173142 Modification Kits to Add Multiple Wire Distributor to Base | 1-5 |
| 1-5 | Parts for Distributor Mounted on a Transmitter Distributor Base in an Automatic Send-Receive Set . . | 1-6 |
| 1-6 | 159361 and 173358 Modification Kits to Add Terminal Block Assembly to Cabinets | 1-7 |
| 1-7 | 164480 Modification Kit to Provide Wiring for the 28 Type Multiple Wire Distributor | 1-8 |
| | Numerical Index - Section 1 | 1-9 |
| SECTION 2 - DISTRIBUTORS (MARK II) | | |
| 2-1 | Frame Assembly | 2-2 |
| 2-2 | Frame Assembly | 2-3 |
| 2-3 | Clutch Assembly | 2-4 |
| 2-4 | Clutch Trip Mechanism | 2-5 |
| 2-5 | Distributor Block | 2-6 |
| 2-6 | Parts to Provide Cabinet Wiring for the 28 Type Multiple Wire Distributor | 2-7 |
| | Numerical Index - Section 2 | 2-8 |

SECTION 3 - MASTER INDEX

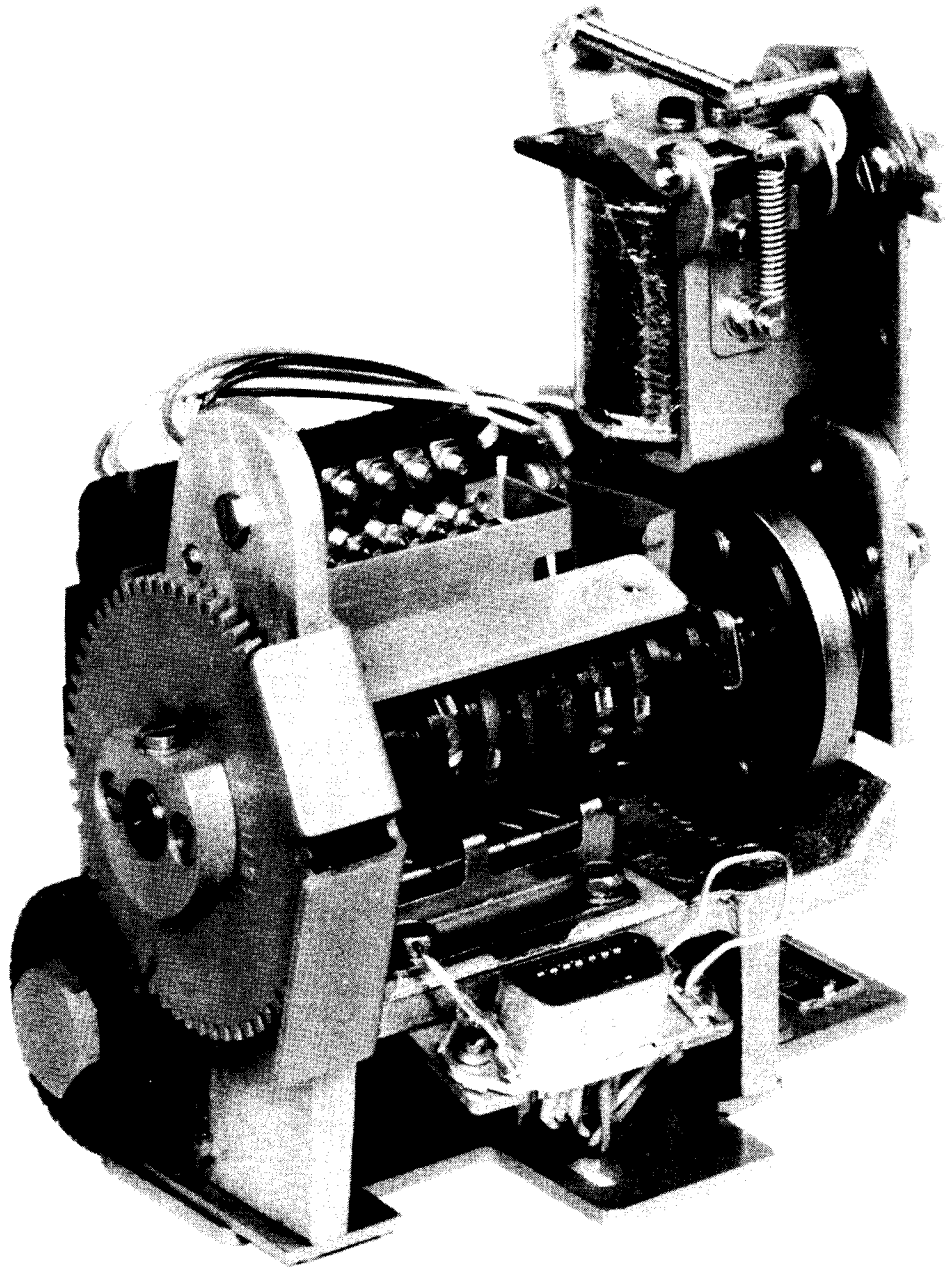
TELETYPE AND BELL SYSTEM CODE REFERENCE CHART

| MULTIPLE WIRE DISTRIBUTOR (LD) | | |
|---|---|------------------------------|
| Application | Teletype Code | Bell System Code |
| Mounts on base of M28 Page Printer Set or Sequence Selector | LD1 LD2 LD3 LD4  | 28A 28D 28A-1 28D-1 |
| MOUNTS on base in M28 Automatic Send-Receive Set | LD5 LD6  | 28A-2 28D-2 |
| MOUNTS in Automatic Send-Receive Set having LXD Type Transmitter Distributor | LD8  | 28J-1 |
| MOUNTS on Mark II Keyboards (LK3, LK4 & LK5) Receiving-Only bases (LB3 & LB4), and Mark III Keyboards (LK6 and up). | LD9  | 28J |
| MOUNTS on Sequential Selector bases (LSB) | LD10  | 28J-2 |



MODEL 28 MULTIPLE WIRE DISTRIBUTOR (LD) MARK I

1159B

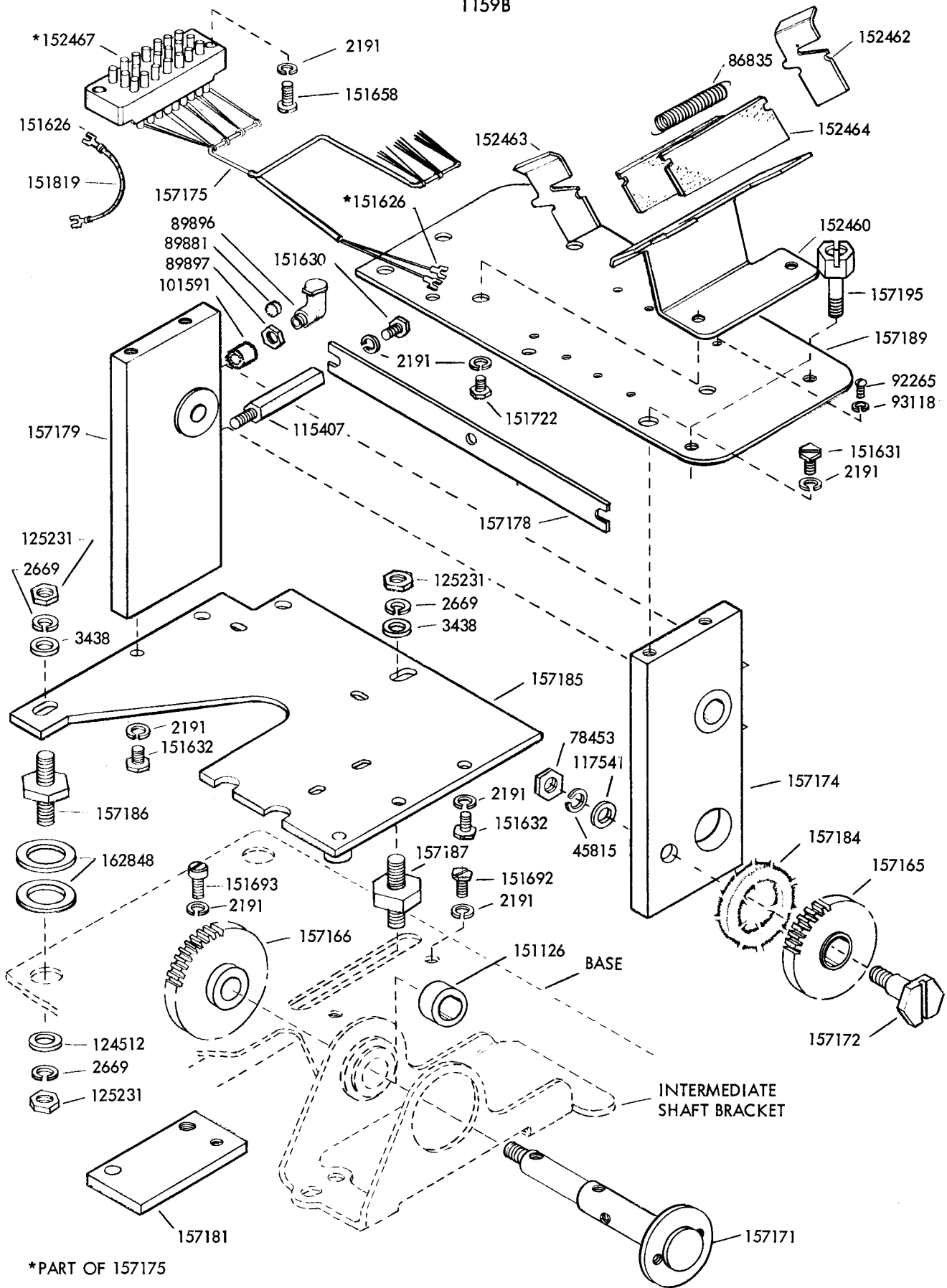


MODEL 28 MULTIPLE WIRE DISTRIBUTOR (LD) MARK II

1159B

SECTION 1
DISTRIBUTORS (MARK 1)

1159B



*PART OF 157175

FIGURE 1-1. FRAME ASSEMBLY

1159B

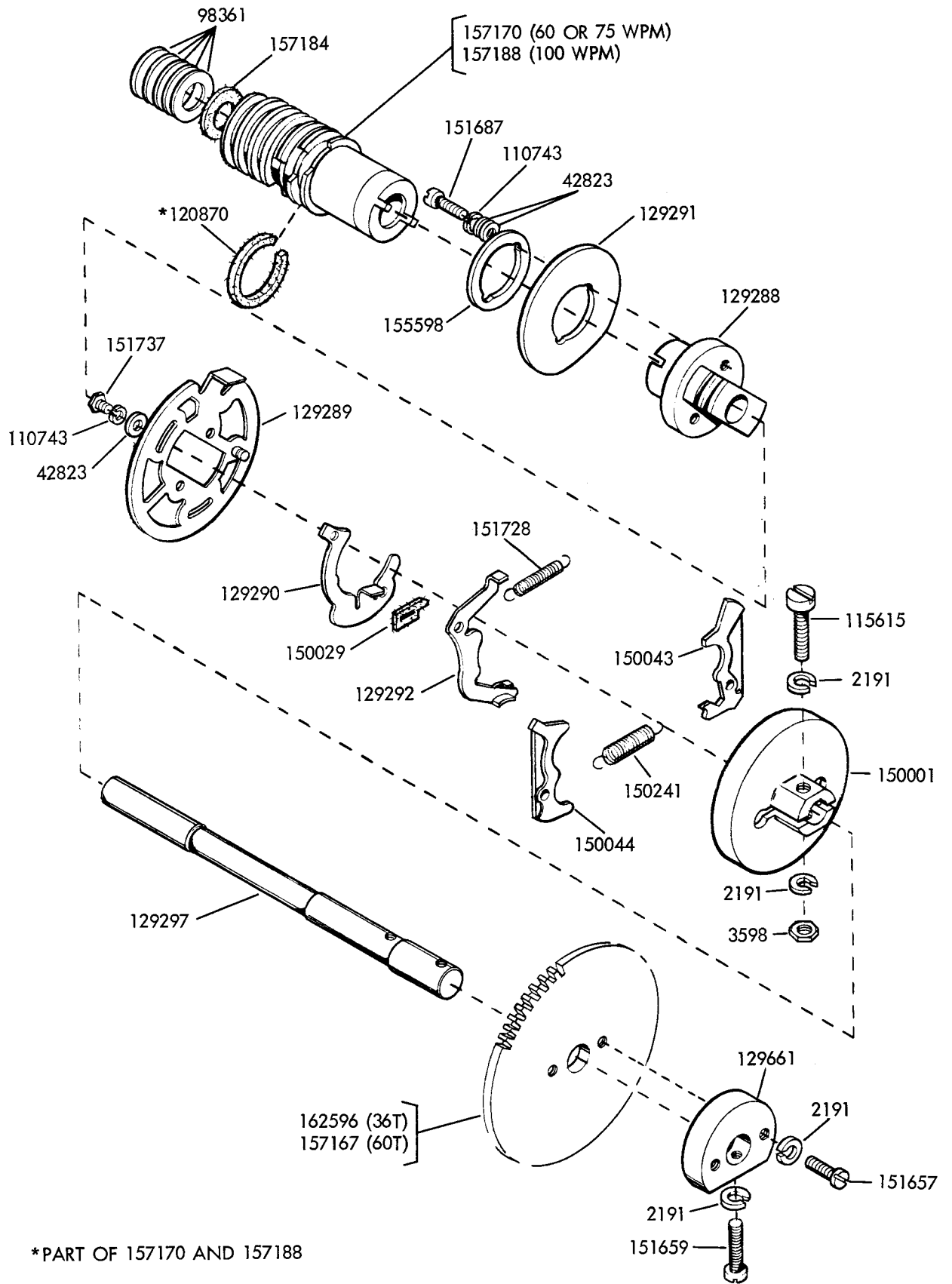


FIGURE 1-2. MAIN SHAFT MECHANISM

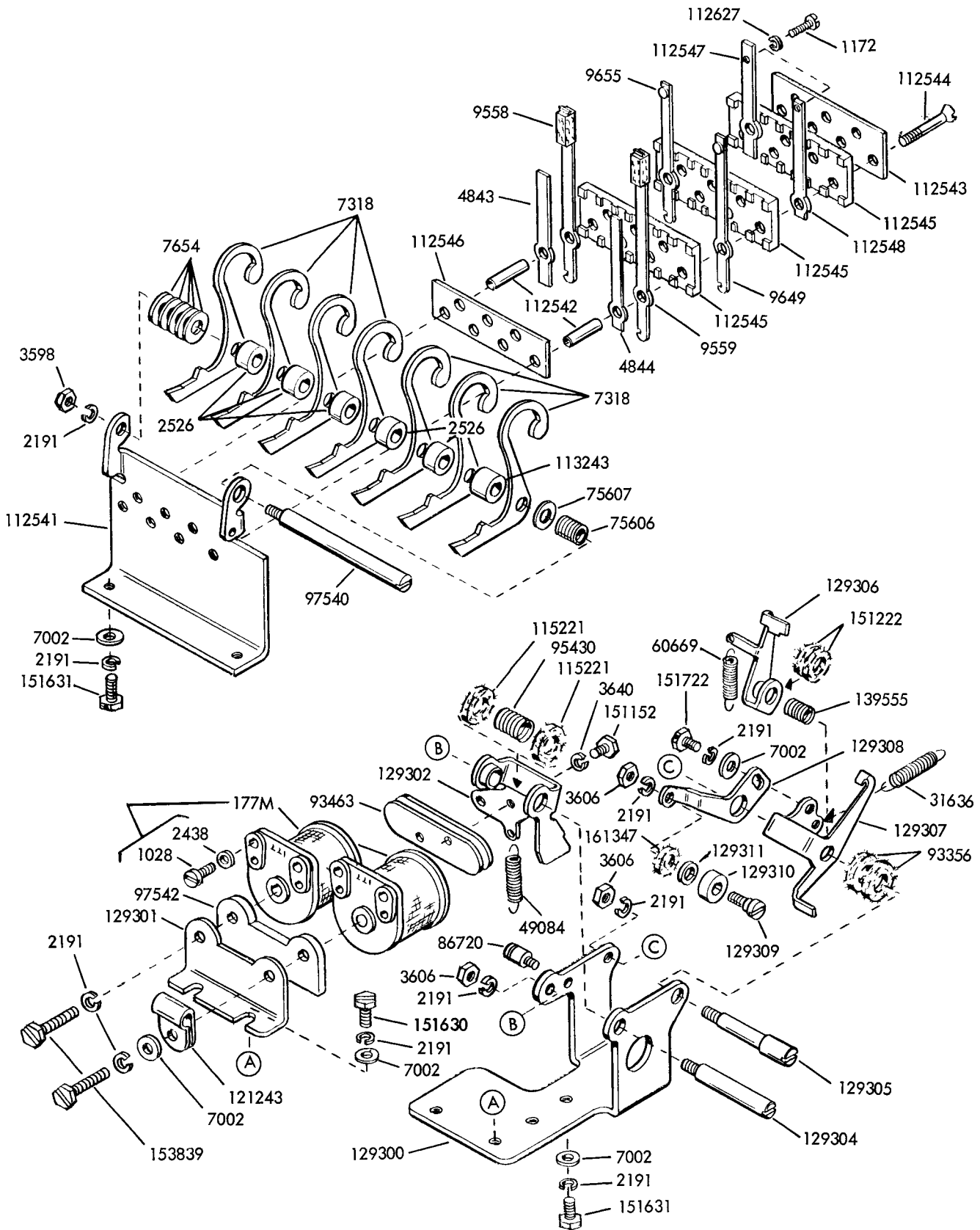


FIGURE 1-3. CONTACT ASSEMBLY AND CLUTCH TRIP MECHANISM

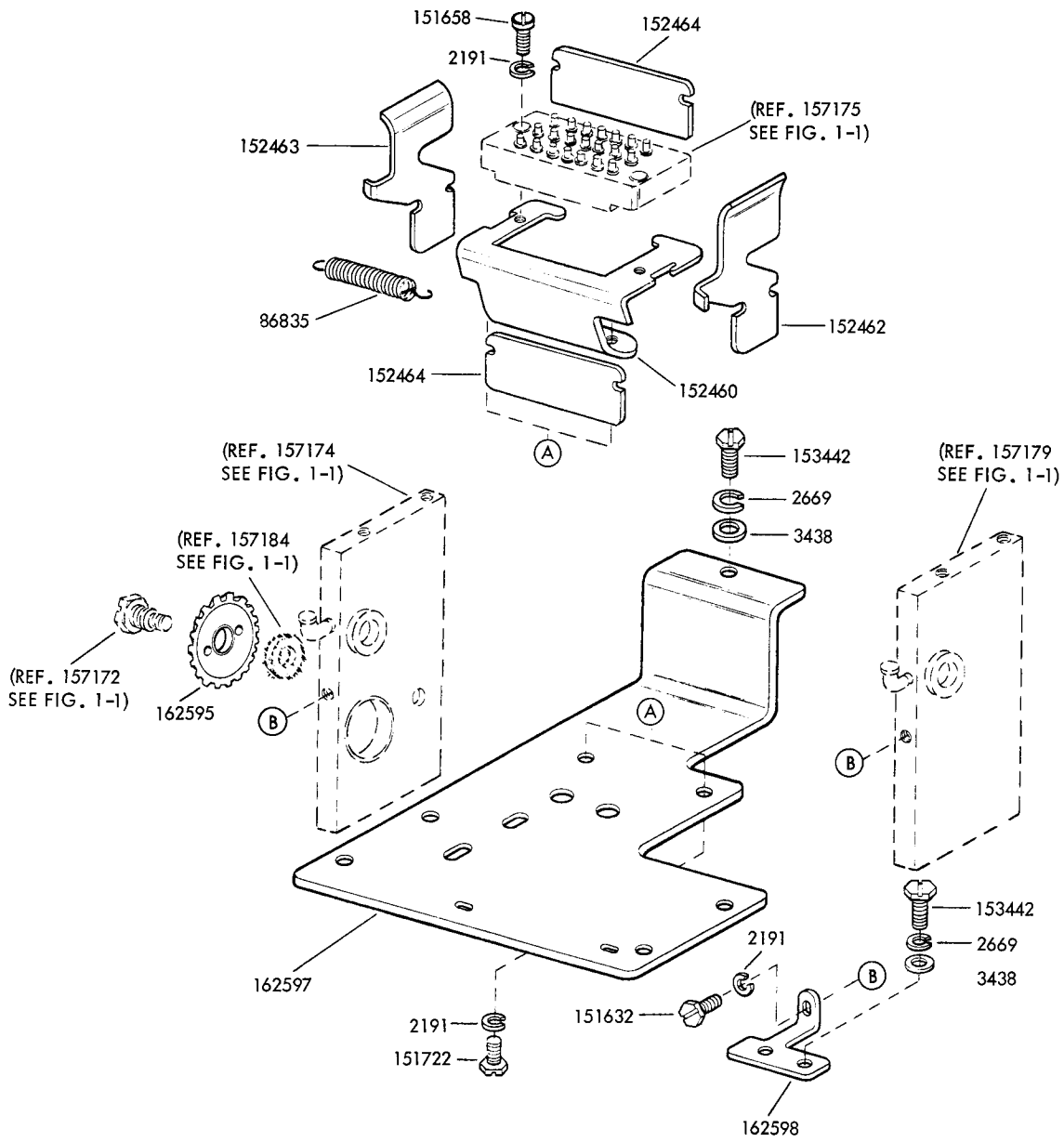
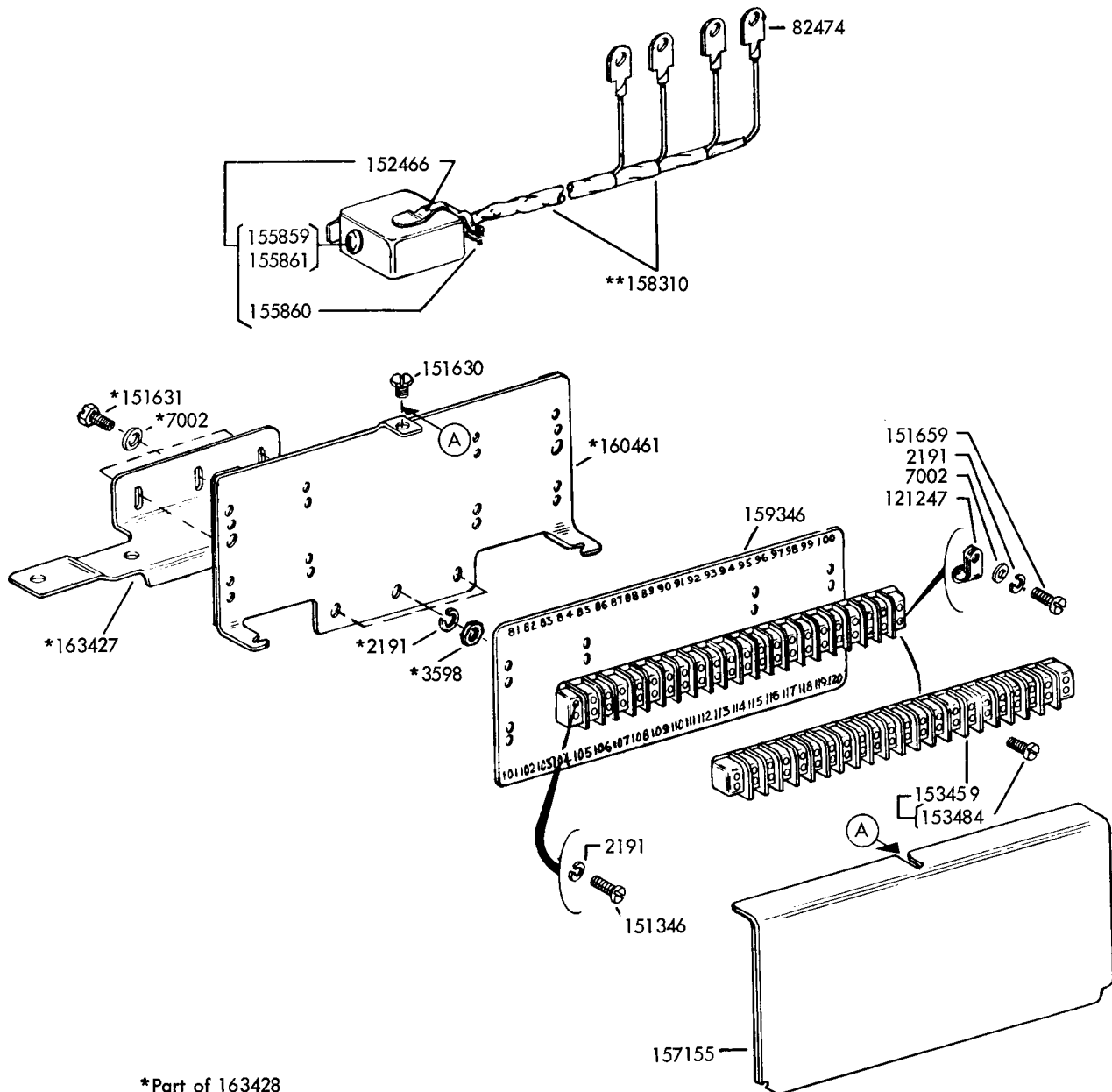


FIGURE 1-5. PARTS FOR DISTRIBUTOR MOUNTED ON A TRANSMITTER DISTRIBUTOR BASE IN AN AUTOMATIC SEND-RECEIVE SET



*Part of 163428
 **Not Part of 173358

SPECIFICATION 57575

FIGURE 1-6. 159361 AND 173358 MODIFICATION KITS TO ADD TERMINAL BLOCK ASSEMBLY TO CABINET

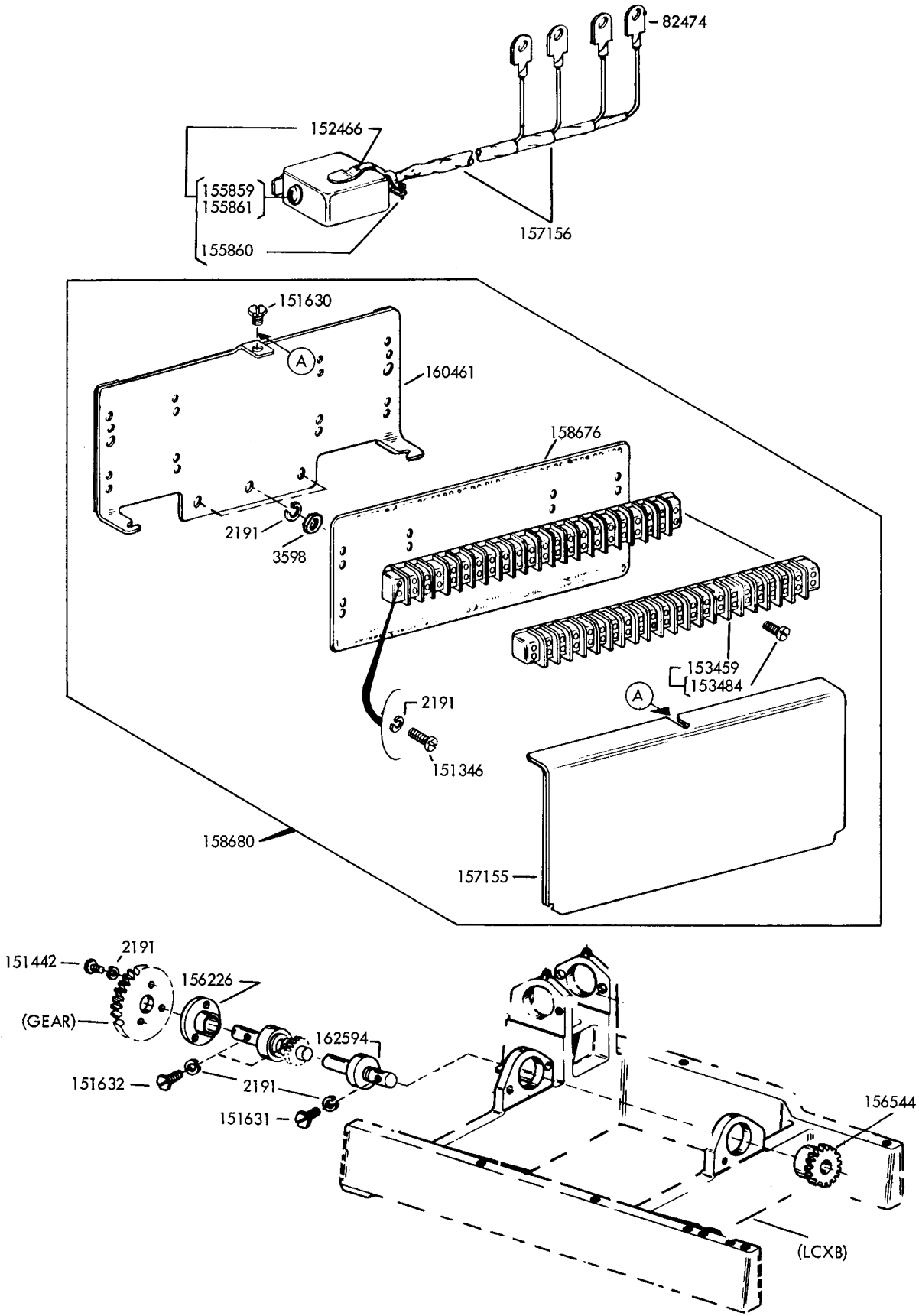


FIGURE 1-7. 164480 MODIFICATION KIT TO PROVIDE WIRING FOR THE 28 TYPE MULTIPLE WIRE DISTRIBUTOR

NUMERICAL INDEX - SECTION 1

| Part Number | Description and Page Number | Part Number | Description and Page Number | Part Number | Description and Page Number |
|-------------|--|-------------|---|-------------|---|
| 177M | Coil, Magnet (105 Ohms) 1-4 | 115221 | Washer, Felt 1-4 | 152464 | Insulator 1-2,1-6 |
| 1028 | Screw, Brass (4-40 x 1/4 Fil) 1-4 | 115407 | Post 1-2 | 152466 | Connector, Receptacle 1-7,1-8 |
| 1172 | Screw (2-56 x 5/16 Fil) 1-4 | 115615 | Screw (6-40 x 5/8 Fil) 1-3 | 152467 | Connector, Plug 1-2 |
| 2191 | Washer, Lock 1-2,1-3,1-4,1-5,1-6,1-7,1-8,2-1,2-2,2-3,2-4,2-5,2-6 | 117541 | Washer, Flat 1-2 | 153442 | Screw (10-32 x 1/2 Hex) 1-6 |
| 2438 | Washer, Brass 1-4 | 120870 | Wick 1-3 | 153459 | Block Assembly 1-7,1-8 |
| 2449 | Washer, Lock 1-5 | 121243 | Clamp, Cable 1-4 | 153484 | Screw, Terminal 1-7,1-8 |
| 2526 | Collar, Spacing 1-4 | 121247 | Clamp, Cable 1-7 | 153921 | Modification Kit 1-5 |
| 2669 | Washer, Lock 1-2,1-5,1-6 | 124512 | Washer, Flat 1-2 | 155598 | Washer, Special 1-3 |
| 2846 | Washer, Flat 1-5 | 125231 | Nut (10-32 Hex) 1-2,1-5 | 155751 | Sleeve, Insulating 1-5 |
| 3438 | Washer, Flat 1-2,1-5,1-6 | 129288 | Bearing 1-3 | 155859 | Screw (4-40 x 1/8 Binding Head) 1-7,1-8 |
| 3598 | Nut (6-40 Hex) 1-3,1-4,1-5,1-7,1-8 | 129289 | Disk, Clutch Cam 1-3 | 155860 | Screw (4-40 x 3/8 Rd Hd) 1-7,1-8 |
| 3606 | Nut (6-40 Hex) 1-4 | 129290 | Disk, Adjusting 1-3 | 155861 | Washer, Lock 1-7,1-8 |
| 3640 | Washer, Lock 1-4 | 129291 | Cam 1-3 | 156226 | Hub 1-8 |
| 4843 | Stiffener (Upper) 1-4 | 129292 | Lever 1-3 | 156544 | Gear, Helical-Driver 1-8 |
| 4844 | Stiffener (Lower) 1-4 | 129297 | Shaft 1-3 | 157155 | Cover 1-7,1-8 |
| 7002 | Washer, Flat 1-4,1-7,2-2,2-3,2-6,2-7 | 129300 | Bracket 1-4 | 157156 | Gear, Helical (42T) 1-8 |
| 7318 | Lever, Contact 1-4 | 129301 | Bracket 1-4 | 157165 | Gear (35T) 1-2 |
| 7654 | Shim (.004") 1-4 | 129302 | Bail, Armature 1-4 | 157166 | Gear (42T) 1-2 |
| 9558 | Spring, Contact (Upper) 1-4 | 129304 | Shaft 1-4 | 157167 | Gear (60T) 1-3 |
| 9559 | Spring, Contact (Lower) 1-4 | 129305 | Shaft 1-4 | 157170 | Sleeve, Cam 1-3 |
| 9649 | Stop, Contact (Lower) 1-4 | 129306 | Lever, Latch 1-4 | 157171 | Shaft 1-2 |
| 9655 | Stop, Contact (Upper) 1-4 | 129307 | Lever, Trip 1-4 | 157172 | Screw (10-32 Shoulder) 1-2,1-6 |
| 25123 | Screw (1/4-32 x 7/16 Hex) 1-5 | 129308 | Lever, Reset 1-4 | 157174 | Frame, Side 1-2,1-6 |
| 31636 | Spring 1-4 | 129309 | Screw (6-40 Shoulder) 1-4 | 157175 | Cable Assembly 1-2,1-6 |
| 42823 | Washer, Flat 1-3 | 129310 | Roller 1-4 | 157178 | Strip, Guard 1-2 |
| 45815 | Washer, Lock 1-2 | 129311 | Bushing 1-4 | 157179 | Frame, Side 1-2,1-6 |
| 49084 | Spring 1-4 | 129661 | Hub 1-3 | 157181 | Plate, Nut 1-2,1-5 |
| 60669 | Spring 1-4 | 139555 | Spring 1-4 | 157182 | Cable Assembly 1-5 |
| 75606 | Spring 1-4 | 150001 | Drum, Clutch 1-3 | 157184 | Washer, Felt 1-2,1-3,1-6 |
| 75607 | Washer, Flat 1-4 | 150029 | Wick, Felt 1-3 | 157185 | Plate, Base 1-2,1-5 |
| 78453 | Nut (10-32 Hex) 1-2 | 150043 | Shoe 1-3 | 157186 | Stud, Mounting 1-2,1-5 |
| 80444 | Screw (6-40 x 1/4 Hex) 1-4 | 150044 | Shoe 1-3 | 157187 | Stud, Mounting 1-2 |
| 82474 | Terminal 1-7,1-8 | 150241 | Spring 1-3 | 157188 | Sleeve, Cam 1-3 |
| 86720 | Post, Spring 1-4 | 150241 | Spring 1-3 | 157189 | Plate, Top 1-2,1-5 |
| 86835 | Spring 1-2,1-5 | 151126 | Spacer 1-2 | 157190 | Bracket 1-5 |
| 89881 | Wick, Felt 1-2 | 151152 | Screw (4-40 x 3/16 Hex) 1-4 | 157195 | Stud 1-2,1-5 |
| 89896 | Oiler 1-2 | 151222 | Washer, Felt 1-4 | 157196 | Latch 1-5 |
| 89897 | Nut (10-32 Hex) 1-2 | 151346 | Screw (6-40 x 1/4 Hex) 1-7,1-8 | 157197 | Latch 1-5 |
| 92265 | Screw (2-56 x 1/8 Rd) 1-2,1-5 | 151442 | Screw (6-40 x 1/2 Hex) 1-8 | 157288 | Plate, Adapter 1-5 |
| 93118 | Washer, Lock 1-2 | 151521 | Stud 1-5 | 158310 | Cable Assembly 1-7 |
| 93356 | Washer, Felt 1-4 | 151618 | Screw (6-40 x 7/16 Fil) 1-5 | 158676 | Insulator 1-8 |
| 93463 | Armature 1-4 | 151626 | Terminal 1-2,1-5 | 158680 | Modification Kit 1-8 |
| 95430 | Spring 1-4 | 151630 | Screw (6-40 x 1/4 Hex) 1-2,1-7,1-8 | 159346 | Insulator 1-7 |
| 97540 | Shaft 1-4 | 151631 | Screw (6-40 x 5/16 Hex) 1-2,1-4,1-7,1-8 | 159361 | Modification Kit 1-7 |
| 97542 | Yoke, Magnet 1-4 | 151632 | Screw (6-40 x 3/8 Hex) 1-2,1-6,1-8 | 159670 | Stud 1-5 |
| 98361 | Shim (.005") 1-3 | 151657 | Screw (6-40 x 1/4 Fil) 1-3 | 160461 | Bracket 1-7,1-8 |
| 101591 | Wick, Felt 1-2 | 151658 | Screw (6-40 x 5/16 Fil) 1-2,1-6 | 161347 | Washer, Felt 1-4 |
| 110743 | Washer, Lock 1-3 | 151659 | Screw (6-40 x 1/2 Fil) 1-3,1-7 | 162594 | Shaft W/Gear & Bearings 1-8 |
| 112541 | Bracket, Contact 1-4 | 151687 | Screw (4-40 x 7/16 Fil) 1-3 | 162595 | Gear (.59T) 1-6 |
| 112542 | Bushing 1-4 | 151692 | Screw (6-40 x 3/16 Fil) 1-2,1-5 | 162596 | Gear (36T) 1-3 |
| 112543 | Plate 1-4 | 151693 | Screw (6-40 x 9/16 Fil) 1-2 | 162598 | Bracket, Mounting 1-6 |
| 112544 | Screw (2-56 x 3/4 Flat) 1-4 | 151722 | Screw (6-40 x 3/16 Hex) 1-2,1-4,1-6 | 162848 | Washer, Flat 1-2 |
| 112545 | Insulator 1-4 | 151723 | Screw (10-32 x 3/8 Hex) 1-5 | 163427 | Bracket 1-7 |
| 112546 | Insulator 1-4 | 151728 | Spring 1-3 | 163428 | Bracket Assembly 1-7 |
| 112547 | Stiffener 1-4 | 151737 | Screw (4-40 x 3/16 Hex) 1-3 | 164480 | Modification Kit 1-8 |
| 112548 | Stiffener 1-4 | 151819 | Jumper 1-2 | 173142 | Modification Kit 1-5 |
| 112627 | Nut (2-56 Hex) 1-4 | 151955 | Guide, Cable 1-5 | 173165 | Stud, Mounting 1-5 |
| 113243 | Collar, Spacing 1-4 | 152460 | Bracket 1-2,1-6 | 173175 | Bracket 1-5 |
| | | 152462 | Latch 1-2,1-6 | 173358 | Modification Kit 1-7 |
| | | 152463 | Latch 1-2,1-6 | | |

1159B

SECTION 2
DISTRIBUTORS (MARK II)

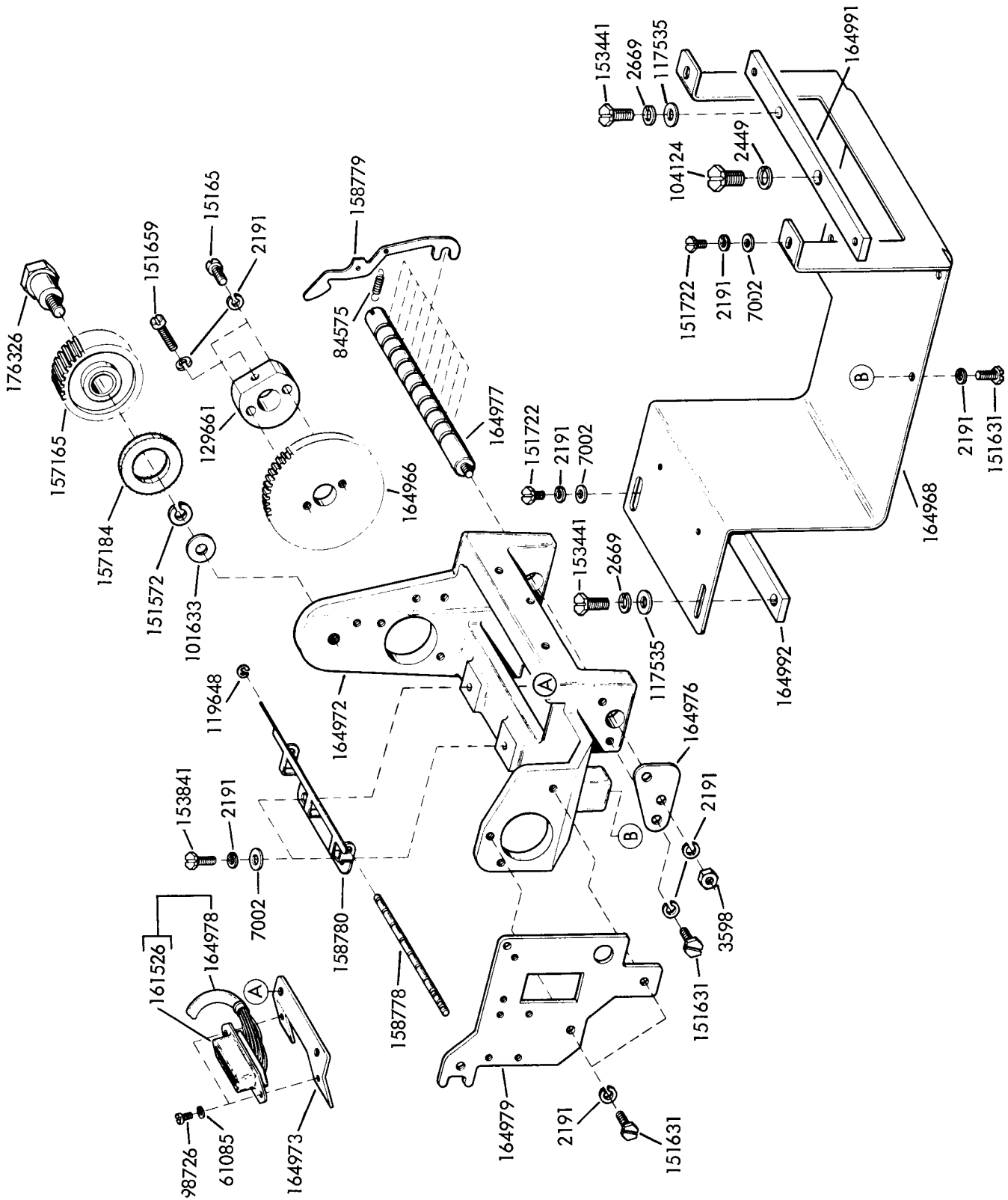


FIGURE 2-1. FRAME MECHANISM

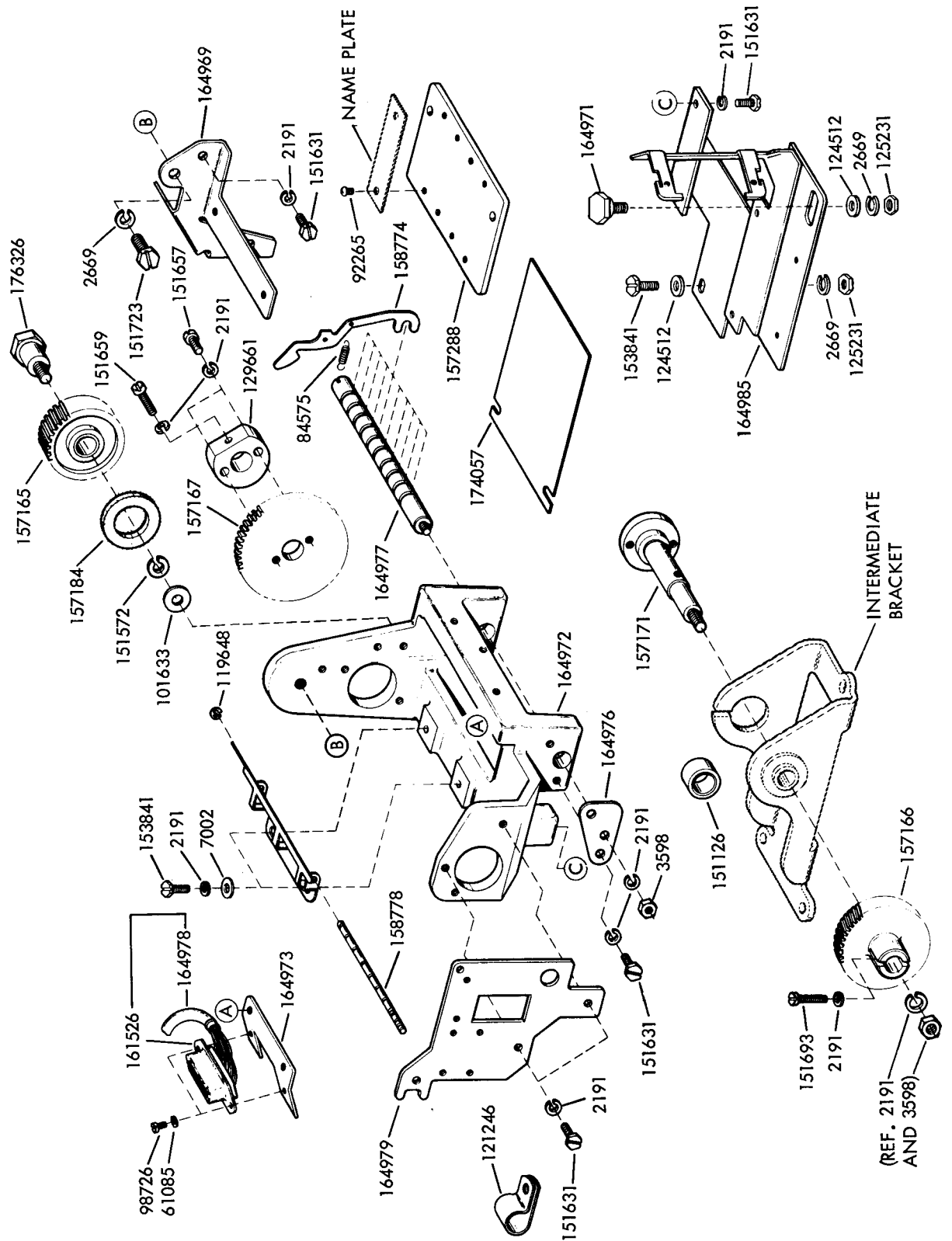


FIGURE 2-2. FRAME MECHANISM

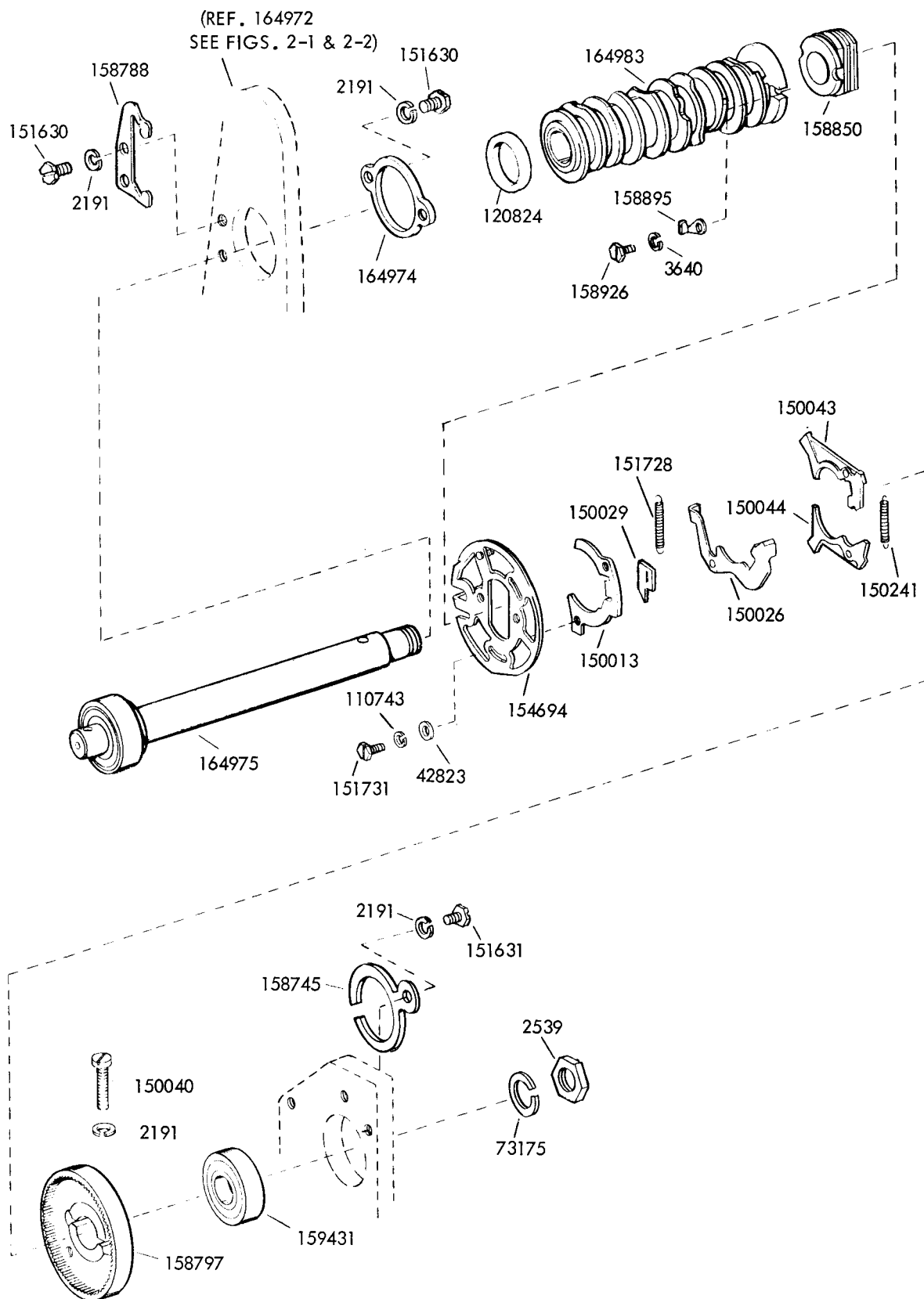


FIGURE 2-3. CLUTCH ASSEMBLY

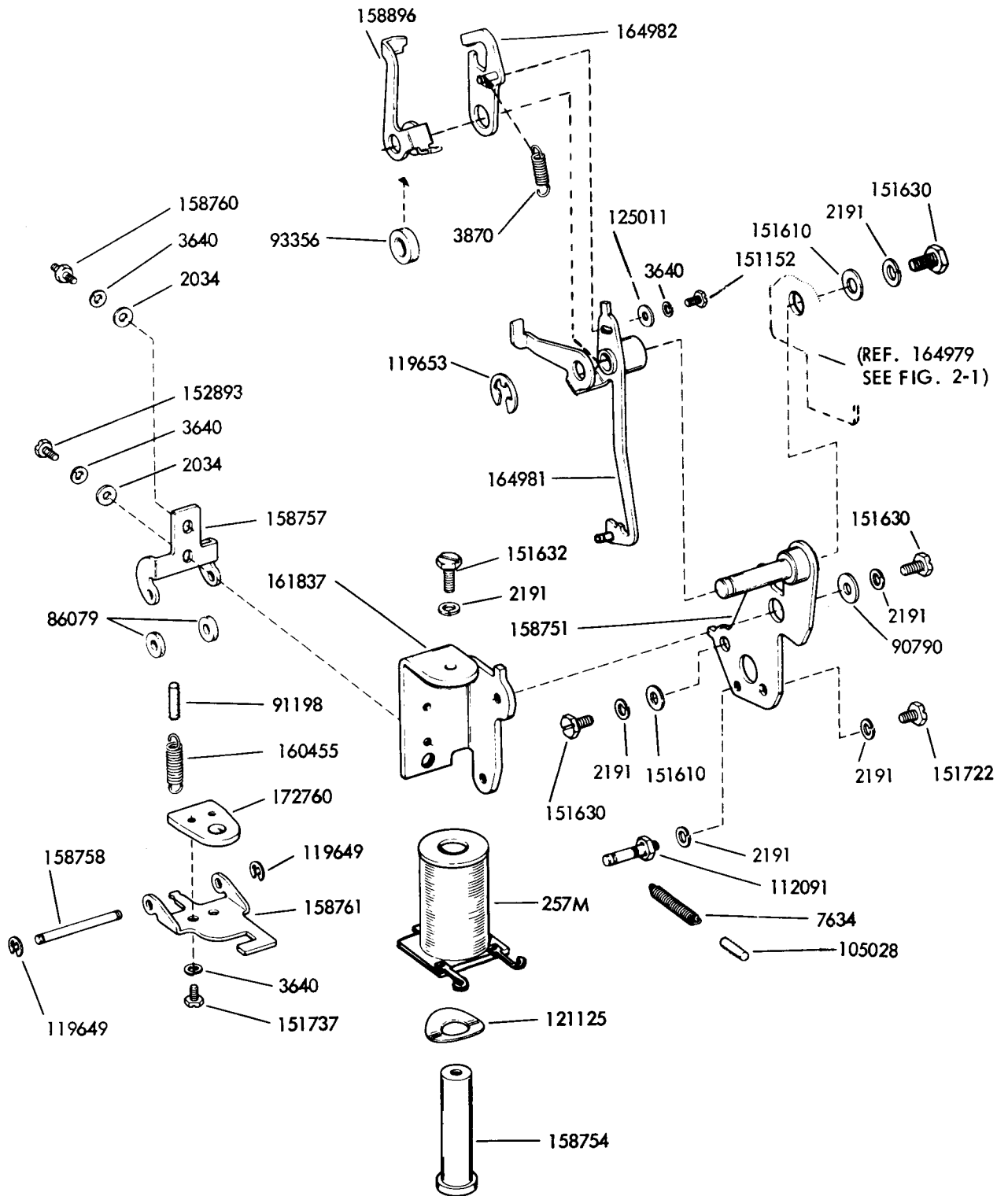
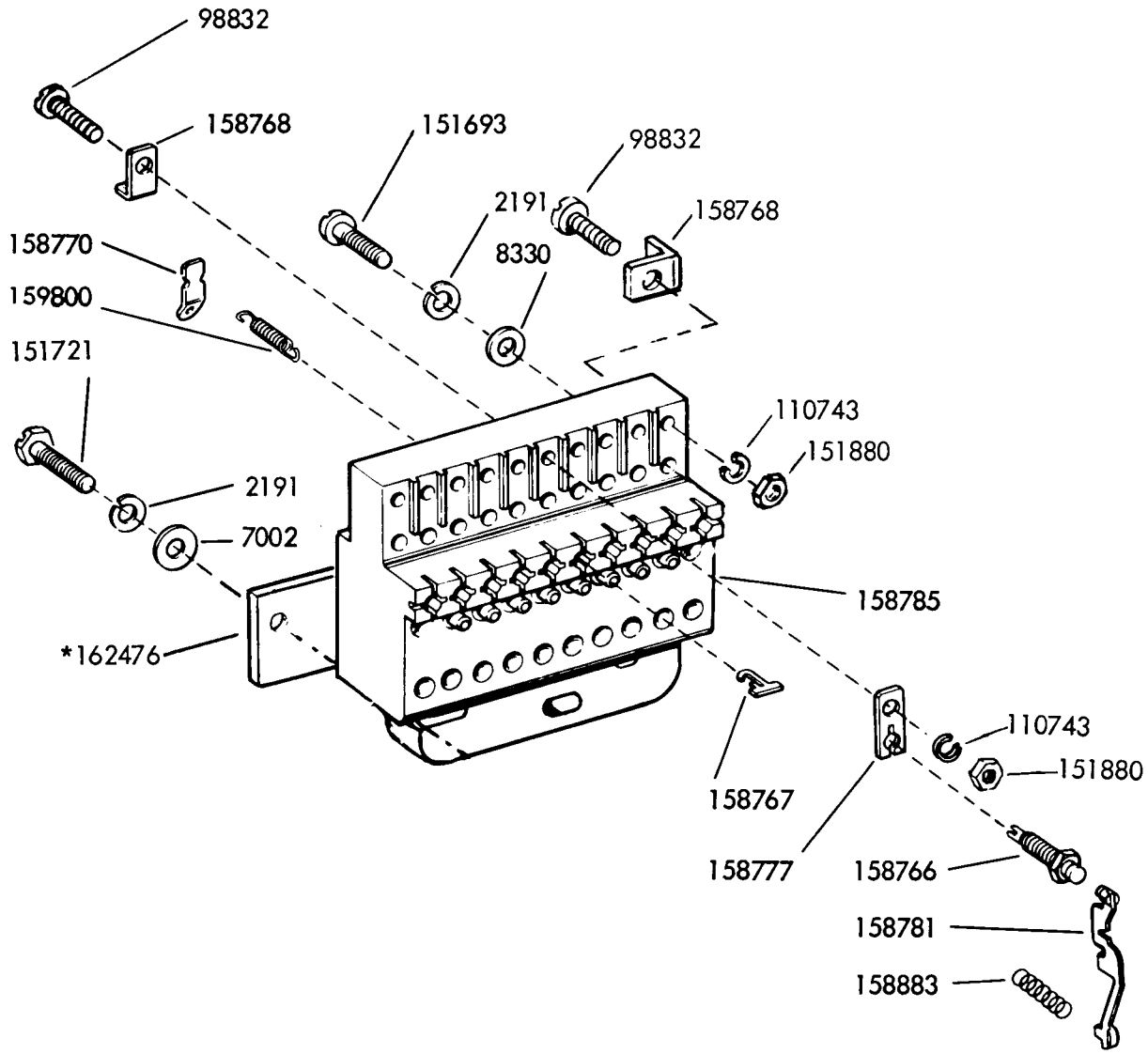


FIGURE 2-4. CLUTCH TRIP MECHANISM



*Supplied with 158785

FIGURE 2-5. DISTRIBUTOR BLOCK

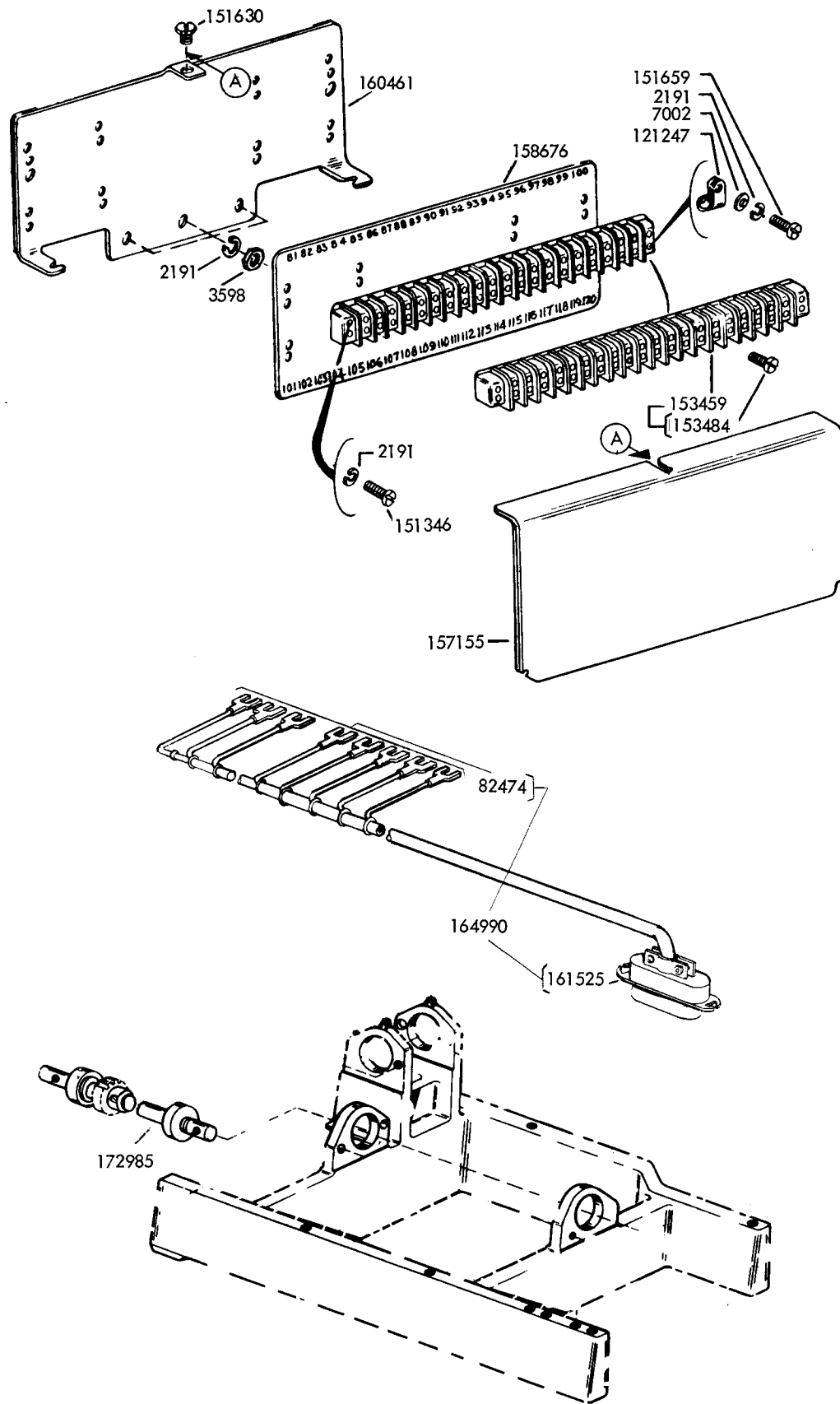


FIGURE 2-6. PARTS TO PROVIDE CABINET WIRING FOR THE 28 TYPE MULTIPLE WIRE DISTRIBUTOR

NUMERICAL INDEX - SECTION 2

| Part Number | Description and Page Number | Part Number | Description and Page Number | Part Number | Description and Page Number |
|-------------|----------------------------------|-------------|---------------------------------------|-------------|-------------------------------------|
| 257M | Coil, Magnet 2-5 2-6, 2-7 | 150043 | Shoe, Clutch 2-4 | 158770 | Terminal, Spring Holder 2-6 |
| 2191 | Washer, Lock 2-2, 2-3, 2-4, 2-5, | 150044 | Shoe, Clutch 2-4 | 158777 | Holder, Screw 2-6 |
| 2034 | Washer, Flat 2-5 | 150241 | Spring 2-4 | 158778 | Post, Spring 2-2, 2-3 |
| 2449 | Washer, Lock 2-2 | 151126 | Spacer 2-3 | 158779 | Lever, Cam Follower 2-2 |
| 2539 | Nut (3/8-32 Hex) 2-4 | 151152 | Screw (4-40 x 3/16 Hex) 2-5 | 158780 | Guide 2-2 |
| 2669 | Washer, Lock 2-2, 2-3 | 151346 | Screw (6-40 x 3/8 Fil) 2-7 | 158781 | Rocker, W/Contact 2-6 |
| 3640 | Washer, Lock 2-4, 2-5 | 151572 | Washer, Lock 2-2, 2-3 | 158785 | Block, Distributor 2-6 |
| 3870 | Spring 2-5 | 151610 | Washer, Flat 2-5 | 158788 | Clamp, Bearing 2-4 |
| 7002 | Washer, Flat 2-2, 2-3, 2-6, 2-7 | 151630 | Screw (6-40 x 1/4 Hex) 2-4, 2-5, 2-7 | 158797 | Drum, Clutch 2-4 |
| 7634 | Spring 2-5 | 151631 | Screw (6-40 x 5/16 Hex) 2-2, 2-3, 2-4 | 158850 | Bearing 2-4 |
| 8330 | Washer, Flat 2-6 | 151632 | Screw (6-40 x 3/8 Hex) 2-5 | 158883 | Spring 2-6 |
| 42823 | Washer, Flat 2-4 | 151657 | Screw (6-40 x 1/4 Fil) 2-2, 2-3 | 158895 | Clip 2-4 |
| 61085 | Washer, Lock 2-2, 2-3 | 151659 | Screw (6-40 x 1/2 Fil) 2-2, 2-3, 2-7 | 158896 | Lever, Latch 2-5 |
| 73175 | Washer, Lock-Special 2-4 | 151693 | Screw (6-40 x 9/16 Fil) 2-3, 2-6 | 158926 | Screw (4-40 x 7/32 Hex) 2-4 |
| 82474 | Terminal, Lug 2-7 | 151721 | Screw (6-40 x 3/4 Hex) 2-6 | 159431 | Lever, W/Hub, Trip 2-4 |
| 84575 | Spring 2-2, 2-3 | 151722 | Screw (6-40 x 3/16 Hex) 2-2, 2-5 | 159800 | Spring 2-6 |
| 86079 | Washer, Flat 2-5 | 151723 | Screw (10-32 x 3/8 Hex) 2-3 | 160455 | Spring 2-5 |
| 90790 | Washer, Flat 2-5 | 151728 | Spring 2-4 | 160461 | Bracket 2-7 |
| 91198 | Wick, Felt 2-5 | 151731 | Screw (4-40 x 7/8 Fil) 2-4 | 161525 | Connector, Plug 2-7 |
| 92265 | Screw (2-56 x 1/8 Rd) 2-3 | 151737 | Screw (4-40 x 11/64 Hex) 2-5 | 161526 | Connector, Receptacle 2-2, 2-3 |
| 93356 | Washer, Felt 2-5 | 151880 | Nut (4-40 Hex) 2-6 | 161837 | Bracket 2-5 |
| 98726 | Screw (3-48 x 1/4 Fil) 2-2, 2-3 | 152893 | Screw (4-40 x 1/4 Hex) 2-5 | 162476 | Plate 2-6 |
| 98832 | Screw (4-40 x 11/16 Fil) 2-6 | 153441 | Screw (10-32 x 7/16 Hex) 2-2 | 164966 | Gear, (42T) 2-2 |
| 101633 | Washer, Flat 2-2, 2-3 | 153459 | Block, Terminal 2-7 | 164968 | Bracket, Mounting 2-2 |
| 104124 | Screw 2-2 | 153484 | Screw (6-32 x 1/4 Rd) 2-7 | 164969 | Bracket, Terminal Block 2-3 |
| 105028 | Wick, Felt 2-5 | 153841 | Screw (6-40 x 9/16 Hex) 2-2, 2-3 | 164971 | Screw, Shoulder 2-3 |
| 110743 | Washer, Lock 2-4, 2-6 | 154694 | Disk 2-4 | 164972 | Casting, Dist. Frame 2-2, 2-3, 2-4 |
| 112091 | Post, Spring 2-5 | 157155 | Cover W/Insulator 2-7 | 164973 | Bracket, Connector 2-2, 2-3 |
| 117535 | Washer, Flat 2-2 | 157165 | Gear (35T) 2-2, 2-3 | 164974 | Plate 2-4 |
| 119648 | Ring, Retaining 2-2, 2-3 | 157166 | Gear (42T) 2-3 | 164975 | Shaft W/Bearing & Spacer 2-4 |
| 119649 | Ring, Retaining 2-5 | 157167 | Gear (60T) 2-3 | 164976 | Plate 2-2 |
| 119653 | Ring, Retaining 2-5 | 157171 | Shaft 2-3 | 164977 | Shaft, Lever 2-2, 2-3 |
| 120824 | Wick, Felt 2-4 | 157184 | Washer, Felt 2-2, 2-3 | 164978 | Cable & Connector Assembly 2-2, 2-3 |
| 121125 | Washer, Spring 2-5 | 157288 | Sleeve, Cam 2-3 | 164979 | Plate, Mounting 2-2, 2-3, 2-5 |
| 121246 | Clamp Cable 2-3 | 158676 | Insulator 2-7 | 164981 | Lever, W/Hub & Trip 2-5 |
| 121247 | Clamp, Cable 2-7 | 158745 | Clamp, Bearing 2-4 | 164982 | Lever, W/Post, Trip 2-5 |
| 124512 | Washer, Flat 2-3 | 158751 | Plate W/Shaft, Clutch Trip 2-5 | 164983 | Sleeve W/Bushing Cam 2-4 |
| 125011 | Washer, Flat 2-5 | 158754 | Core, Magnet 2-5 | 164990 | Cable & Connector Assembly 2-7 |
| 125231 | Nut (10-32 Hex) 2-3 | 158757 | Hinge, Mounting 2-5 | 164991 | Plate, Adapter-Right 2-2 |
| 129661 | Hub 2-2, 2-3 | 158758 | Shaft 2-5 | 164992 | Plate, Adapter-Left 2-2 |
| 150013 | Disk, Adjusting 2-4 | 158760 | Post, Spring 2-5 | 172760 | Armature 2-5 |
| 150026 | Lever, Shoe 2-4 | 158761 | Bail 2-5 | 172985 | Shaft W/Bearings & Gear 2-7 |
| 150029 | Wick, Felt 2-4 | 158766 | Screw (6-40 x 11/16 Hex) Contact 2-6 | 174057 | Insulator, Contact 2-3 |
| 150040 | Screw (6-40 x 5/8 Fil) 2-4 | 158767 | Lever, Guide 2-6 | 176326 | Screw, Shoulder L.H. 2-2, 2-3 |
| | | 158768 | Terminal 2-6 | | |

1159B

SECTION 3
MASTER INDEX

MASTER NUMERICAL INDEX

| Part Number | Page | Part Number | Page | Part Number | Page |
|-------------|---------------------------------|-------------|-------------|-------------|-----------------------------|
| 177M | 1-4 | 86835 | 1-2,1-5 | 121246 | 2-3 |
| 257M | 2-5 | 89881 | 1-2 | 121247 | 1-7,2-7 |
| 1028 | 1-4 | 89896 | 1-2 | 124512 | 1-2,2-3 |
| 1172 | 1-4 | 89897 | 1-2 | 125011 | 2-5 |
| 2034 | 2-5 | 90790 | 2-5 | 125231 | 1-2,1-5,2-3 |
| 2191 | Several | 91198 | 2-5 | 129288 | 1-3 |
| 2438 | 1-4 | 92265 | 1-2,1-5,2-3 | 129289 | 1-3 |
| 2449 | 1-2,2-2 | 93118 | 1-2 | 129290 | 1-3 |
| 2526 | 1-4 | 93356 | 1-4,2-5 | 129291 | 1-3 |
| 2539 | 2-4 | 93463 | 1-4 | 129292 | 1-3 |
| 2669 | 1-2,1-5,1-6,2-2,2-3 | 95430 | 1-4 | 129297 | 1-3 |
| 2846 | 1-5 | 97540 | 1-4 | 129300 | 1-4 |
| 3438 | 1-2,1-5,1-6 | 97542 | 1-4 | 129301 | 1-4 |
| 3598 | 1-3,1-4,1-5,1-7,1-8,2-2,2-3,2-7 | 98361 | 1-3 | 129302 | 1-4 |
| 3606 | 1-4 | 98726 | 2-2,2-3 | 129304 | 1-4 |
| 3640 | 1-4,2-4,2-5 | 98832 | 2-6 | 129305 | 1-4 |
| 3870 | 2-5 | 101591 | 1-2 | 129306 | 1-4 |
| 4843 | 1-4 | 101633 | 2-2,2-3 | 129307 | 1-4 |
| 4844 | 1-4 | 104124 | 2-2 | 129308 | 1-4 |
| 7002 | Several | 105028 | 2-5 | 129309 | 1-4 |
| 7318 | 1-4 | 110743 | 1-3,2-4,2-6 | 129310 | 1-4 |
| 7634 | 2-5 | 112091 | 2-5 | 129311 | 1-4 |
| 7654 | 1-4 | 112541 | 1-4 | 129661 | 1-3,2-2,2-3 |
| 8330 | 2-6 | 112542 | 1-4 | 139555 | 1-4 |
| 9558 | 1-4 | 112543 | 1-4 | 150001 | 1-3 |
| 9559 | 1-4 | 112544 | 1-4 | 150013 | 2-4 |
| 9649 | 1-4 | 112545 | 1-4 | 150026 | 2-4 |
| 9655 | 1-4 | 112546 | 1-4 | 150029 | 1-3,2-4 |
| 25123 | 1-5 | 112547 | 1-4 | 150040 | 2-4 |
| 31636 | 1-4 | 112548 | 1-4 | 150043 | 1-3,2-4 |
| 42823 | 1-3,2-4 | 112627 | 1-4 | 150044 | 1-3,2-4 |
| 45815 | 1-2 | 113243 | 1-4 | 150241 | 1-3,2-4 |
| 49084 | 1-4 | 115221 | 1-4 | 151126 | 1-2,2-3 |
| 60669 | 1-4 | 115407 | 1-2 | 151152 | 1-4,2-5 |
| 61085 | 2-2,2-3 | 115615 | 1-3 | 151222 | 1-4 |
| 73175 | 2-4 | 117535 | 2-2 | 151346 | 1-7,1-8,2-7 |
| 75606 | 1-4 | 117541 | 1-2 | 151442 | 1-8 |
| 75607 | 1-4 | 119648 | 2-2,2-3 | 151521 | 1-5 |
| 78473 | 1-2 | 119649 | 2-5 | 151572 | 2-2,2-3 |
| 80444 | 1-4 | 119653 | 2-5 | 151610 | 2-5 |
| 82474 | 1-7,1-8,2-7 | 120824 | 2-4 | 151618 | 1-5 |
| 84575 | 2-2,2-3 | 120870 | 1-3 | 151626 | 1-2,1-5 |
| 86079 | 2-5 | 121125 | 2-5 | 151630 | 1-2,1-7,1-8,2-4,2-5,2-7 |
| 86720 | 1-4 | 121243 | 1-4 | 151631 | 1-2,1-4,1-7,1-8,2-2,2-3,2-4 |

1159B

MASTER NUMERICAL INDEX

| Part Number | Page | Part Number | Page | Part Number | Page |
|-------------|---------------------|-------------|---------------------|-------------|-------------|
| 151632 | 1-2,1-6,1-8,2-5 | 157175 | 1-2,1-6 | 159431 | 2-4 |
| 151657 | 1-3,2-2,2-3 | 157178 | 1-2 | 159670 | 1-5 |
| 151658 | 1-2,1-6 | 157179 | 1-2,1-6 | 159800 | 2-6 |
| 151659 | 1-3,1-7,2-2,2-3,2-7 | 157181 | 1-2,1-5 | 160455 | 2-5 |
| 151687 | 1-3 | 157182 | 1-5 | 160461 | 1-7,1-8,2-7 |
| 151692 | 1-2,1-5 | 157184 | 1-2,1-3,1-6,2-2,2-3 | 161347 | 1-4 |
| 151693 | 1-2,2-3,2-6 | 157185 | 1-2,1-5 | 161525 | 2-7 |
| 151721 | 2-6 | 157186 | 1-2,1-5 | 161526 | 2-2,2-3 |
| 151723 | 1-5,2-3 | 157187 | 1-2 | 161837 | 2-5 |
| 151722 | 1-2,1-4,1-6,2-2,2-5 | 157188 | 1-3 | 162476 | 2-6 |
| 151723 | 1-5,2-3 | 157189 | 1-2,1-5 | 162594 | 1-8 |
| 151728 | 1-3,2-4 | 157190 | 1-5 | 162595 | 1-6 |
| 151731 | 2-4 | 157195 | 1-2,1-5 | 162596 | 1-3 |
| 151737 | 1-3,2-5 | 157196 | 1-5 | 162597 | 1-6 |
| 151819 | 1-2 | 157197 | 1-5 | 162598 | 1-6 |
| 151880 | 2-6 | 157288 | 1-5,2-3 | 162848 | 1-2 |
| 151955 | 1-5 | 158310 | 1-7 | 163427 | 1-7 |
| 152460 | 1-2,1-6 | 158676 | 1-8,2-7 | 163428 | 1-7 |
| 152462 | 1-2,1-6 | 158680 | 1-8 | 164480 | 1-8 |
| 152463 | 1-2,1-6 | 158745 | 2-4 | 164966 | 2-2 |
| 152464 | 1-2,1-6 | 158751 | 2-5 | 164968 | 2-2 |
| 152466 | 1-7,1-8 | 158754 | 2-5 | 164969 | 2-3 |
| 152467 | 1-2 | 158757 | 2-5 | 164971 | 2-3 |
| 152893 | 2-5 | 158758 | 2-5 | 164972 | 2-2,2-3,2-4 |
| 153441 | 2-2 | 158760 | 2-5 | 164973 | 2-2,2-3 |
| 153442 | 1-6 | 158761 | 2-5 | 164974 | 2-4 |
| 153459 | 1-7,1-8,2-7 | 158766 | 2-6 | 164975 | 2-4 |
| 153841 | 2-2,2-3 | 158767 | 2-6 | 164976 | 2-2 |
| 153921 | 1-5 | 158768 | 2-6 | 164977 | 2-2,2-3 |
| 154694 | 2-4 | 158770 | 2-6 | 164978 | 2-2,2-3 |
| 155598 | 1-3 | 158777 | 2-6 | 164979 | 2-2,2-3,2-5 |
| 155751 | 1-5 | 158778 | 2-2,2-3 | 164981 | 2-5 |
| 155859 | 1-7,1-8 | 158779 | 2-2 | 164982 | 2-5 |
| 155860 | 1-7,1-8 | 158780 | 2-2 | 164983 | 2-4 |
| 155861 | 1-7,1-8 | 158781 | 2-6 | 164990 | 2-7 |
| 156226 | 1-8 | 158785 | 2-6 | 164991 | 2-2 |
| 156544 | 1-8 | 158788 | 2-4 | 164992 | 2-2 |
| 157155 | 1-7,1-8,2-7 | 158797 | 2-4 | 172760 | 2-5 |
| 157156 | 1-8 | 158850 | 2-4 | 172985 | 2-7 |
| 157165 | 1-2,2-2,2-3 | 158883 | 2-6 | 173142 | 1-5 |
| 157166 | 1-2,2-3 | 158895 | 2-4 | 173165 | 1-5 |
| 157167 | 1-3,2-3 | 158896 | 2-5 | 173175 | 1-5 |
| 157170 | 1-3 | 158926 | 2-4 | 173358 | 1-7 |
| 157171 | 1-2,2-3 | 159346 | 1-7 | 174057 | 2-3 |
| 157172 | 1-2,1-6 | 159361 | 1-7 | 176326 | 2-2,2-3 |
| 157174 | 1-2,1-6 | | | | |

