

ISSUE 3 - Supersedes all
issues of 1090B and all
previous issues of 1067B.

October, 1960

BULLETIN 1067B

PARTS
MODEL 15
PERFORATOR TRANSMITTER
(PEX)

TELETYPE[®]
CORPORATION
SUBSIDIARY OF *Western Electric Company* INC.
SKOKIE, ILLINOIS, U. S. A.

ALPHABETICAL INDEX

	<u>Page</u>
Break Key	1
Cables	30
Cable Clamps	1, 3, 4, 13, 15, 20
Cam Pulsing Contacts Assem.	8
Cam Sleeve - Transmitter Shaft	7
Condenser	4
Connecting Links	5
Contact Mounting Assem.	7
Copyholder Assem.	26, 27, 28
Counter Bracket - For Left-Hand Mounting	20
Counter Casting - For Right-Hand Mounting	20
Counter Control Contacts Assem. - Mounted on Keyboard	9
Counter Control Contacts Assem. - Mounted on Perforator Unit	11
Counter Control Unit	6
Counter Mechanism Assem.	19, 24
Cover - Counter Mechanism	20
Cover - Perforator Unit	23
Cover - Perforator and Counter Unit	23, 24
Cover - Printer	21, 22, 24
Filter Unit Assem.	10
Form Accumulating Shelf Assem.	22
Gears	7
Indicator - Counter	20
Keyboard	1, 3, 4
Key Levers	1
Keytops	29
Lamp - Counter	20
Line Test Key	1, 2
Link Extensions	12, 14
Metal Tearing Edge Parts	22
Magnets	12, 19
Name Plates	1, 22, 24, 28
Numerical Index	40
Perforator Control Contacts Assem.	9
Positive Action Perforating Parts	16
Punch Block Assem.	17

	<u>Page</u>
Punch Contacts Assem.	11, 13, 15
Punch Contact and Latch Assem.	16
Punch Unit Parts	11, 12, 13, 14, 15, 16
Resistor and Guard - For 220 Volt Operation	18
Resistor - Flat Type	3
Resistor - Round Type	4, 6, 9, 18
Selector Bars	5
Selector Fingers	12, 14
Selector Levers	12, 14
Sets of Keytops	29, 33
Sets of Parts (Modification Kits)	31
Set of Parts for Converting Bell System Keytop Arrangement "C" to "A" (for use on 15-A Perforator Transmitter)	31
Set of Parts for Converting Bell System Keytop Arrangement "C" to "B" (for use on 15-B Perforator Transmitter)	31
Set of Parts for Converting Bell System Keytop Arrangement "C" to "A" (for use on 15-D Perforator Transmitter)	33
Set of Parts for Converting Bell System Keytop Arrangement "C" to "B" (for use on 15-E Perforator Transmitter)	33
Set of Parts to Apply Adjustable Feed Punch Selector Lever and Selector Lever Guide	33
Set of Parts to Apply Improved Counter Control Mechanism	31
Set of Parts to Apply Long Spacer Bar to Perforator Transmitters Equipped with Space Mechanism Having Centrally Located Space Key Lever	33
Set of Parts to Apply Lower Punch Operating Contacts and Adjustable Key Pressure Mechanism	32
Set of Parts to Apply Space Mechanism with Centrally Located Space Key Lever	32
Set of Parts to Apply Two-Piece Armature Lever and Follow-Through Feature.	32
Set of Parts to Convert a Type PEX 14 Perforator Transmitter to a Type PEX 20	35
Set of Parts to Equip a Model 15 Perforator Transmitter for Blinding Selector Magnets	39
Set of Parts to Equip a Model 19 Set with Fan Fold Tape Container	39
Set of Parts to Equip a Perforator Transmitter With Positive Action Perforating Feature	37
Set of Parts to Hold Universal Bar Depressed	31
Set of Parts to Provide a Cam Pulsing Contact Assembly on Perforator Transmitter Key- boards for 100 W.P.M. Operation	38
Set of Parts to Provide a Repeat-Character Feature for the Model 15 Perforator Transmitter	38
Set of Parts to Provide Cover Locating Stud and Terminal Block Guard	16
Set of Parts to Provide Improved Operating Margins for the Punch Unit	34
Set of Parts to Provide Local Test on Keyboard	2
Set of Parts to Provide Operation of Perforator Transmitters at 100 W.P.M. (7.42 Unit Transmission)	38
Set of Parts to Provide Rapid Feed-Out of Tape on Perforator Transmitter	37

	<u>Page</u>
Set of Parts to Reduce Friction of the Repeat Space Rod Cutout	34
Slide Plate	6
Spacer Bars	1, 3
Tape Feed Parts	12, 13, 14, 15
Tape Gauge	18
Tape Reel Bracket	22
Tape Reel Container Assem.	25
Terminal Block Assem.	1, 13
Tool - For Cleaning Punch Block	18
Transmitter Parts	7
Transmitter Shaft	7
Universal Bar	6

BELL SYSTEM TO TELETYPE CODE DESIGNATION CHARTS

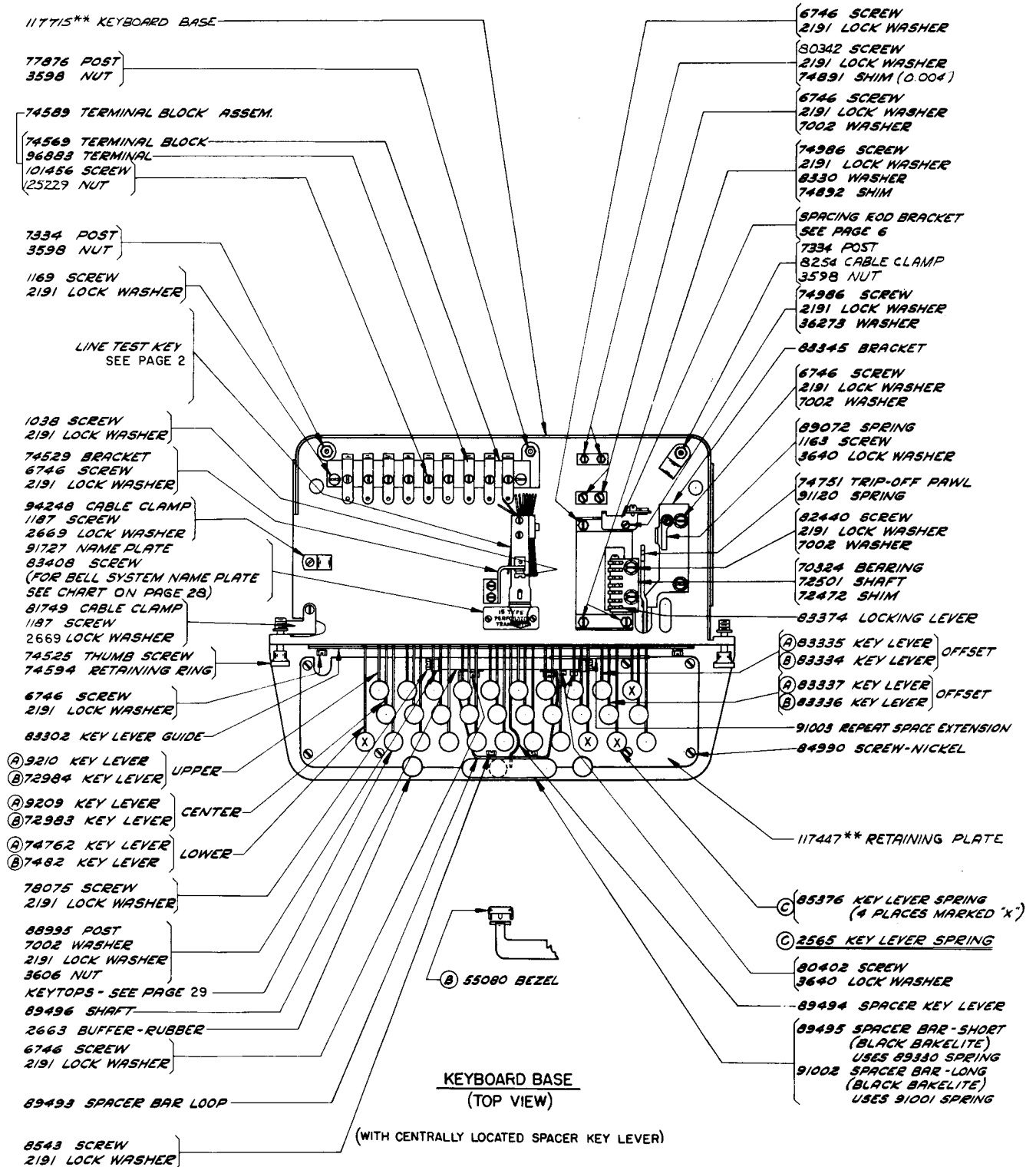
PERFORATOR TRANSMITTER UNITS	
BELL SYSTEM CODE	TELETYPE CODE
15G**	PEX201**/JM
15J**	PEX203**/SB
15K**	PEX203**/SA
15L**	PEX203**/CS
15R**	PEX204**/SB
15S**	PEX204**/SA
15T**	PEX204**/CS

COVER	
BELL SYSTEM CODE	TELETYPE CODE
15M**	PEXC205**
15S**	PEXC203** + 115726**
15U**	PEXC200** + 115726**
15N**	PEXC201** + 115726**

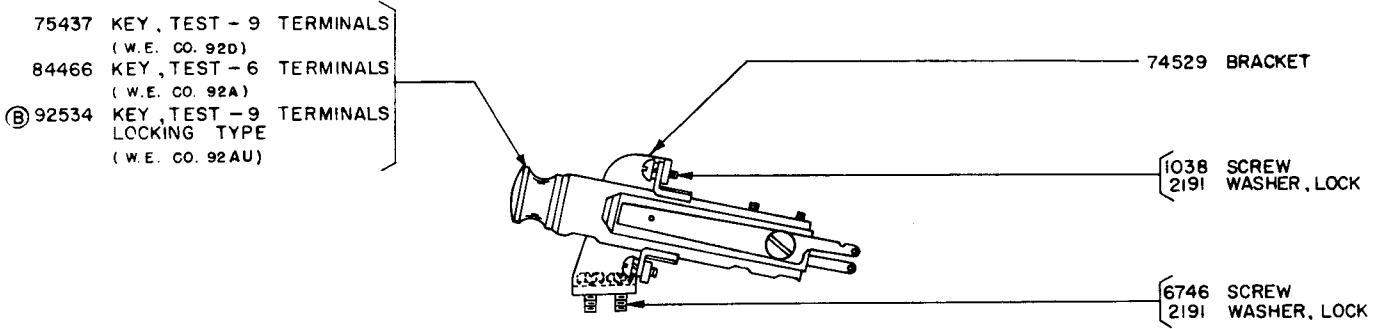
COLOR CODE CHART		
FOR PARTS AND ASSEMBLIES REQUIRING A PAINT FINISH		
BELL SYSTEM CODE	TELETYPE CODE	PAINT FINISH
37	AA	BLACK WRINKLE
40	AB	GRAY GREEN WRINKLE
39	AC	LIGHT BROWN WRINKLE
38	AD	DARK BROWN WRINKLE
SUFFIX TO BE APPLIED FOLLOWING THE PART NUMBER		

BELL SYSTEM ONLY

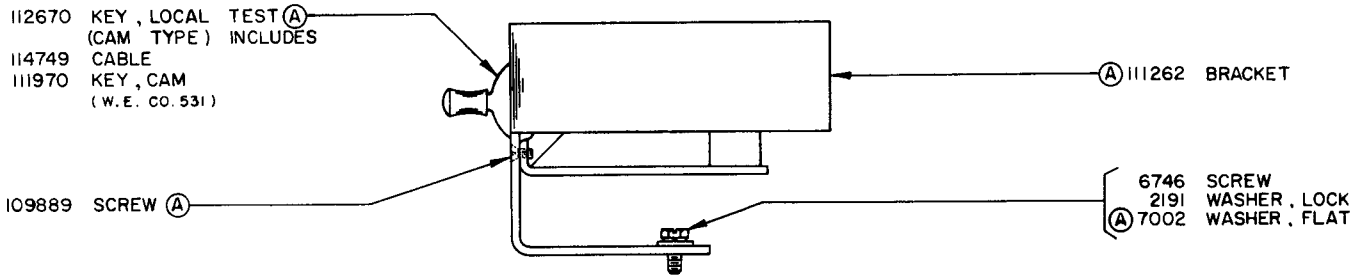
WHEN ORDERING PARTS FROM THIS BULLETIN, PREFIX EACH NUMBER WITH THE LETTERS TP.



- (A) KEYLEVER (WITH DISC) FOR SPRING CUSHION KEYTOPS.
- (B) FOR CELLULOID KEYTOPS, WHEN CONVERTING FROM CELLULOID TO SPRING CUSHION KEYTOPS A 72539 KEY LEVER DISC (ONE FOR EACH KEY LEVER) MUST BE ORDERED. THE 72539 DISC IS SECURED IN POSITION ON THE KEY LEVER BY BENDING THE TWO LUGS.
- (C) THE 2565 KEY LEVER SPRING IS USED ON ALL KEY LEVERS (EXCEPT SPACER KEY LEVER) WHEN THE UNIT IS EQUIPPED WITH THE PARTS MARKED (A) ON PAGES 5 AND 6.
THE 2565 KEY LEVER SPRINGS IN THE FOUR POSITIONS INDICATED BY AN "X" ARE REPLACED BY 85376 KEY LEVER SPRINGS WHEN THE UNIT IS EQUIPPED WITH THE PARTS MARKED (D) ON PAGE 6.



LINE TEST KEY - LOCKING AND NON-LOCKING (PUSH TYPE)



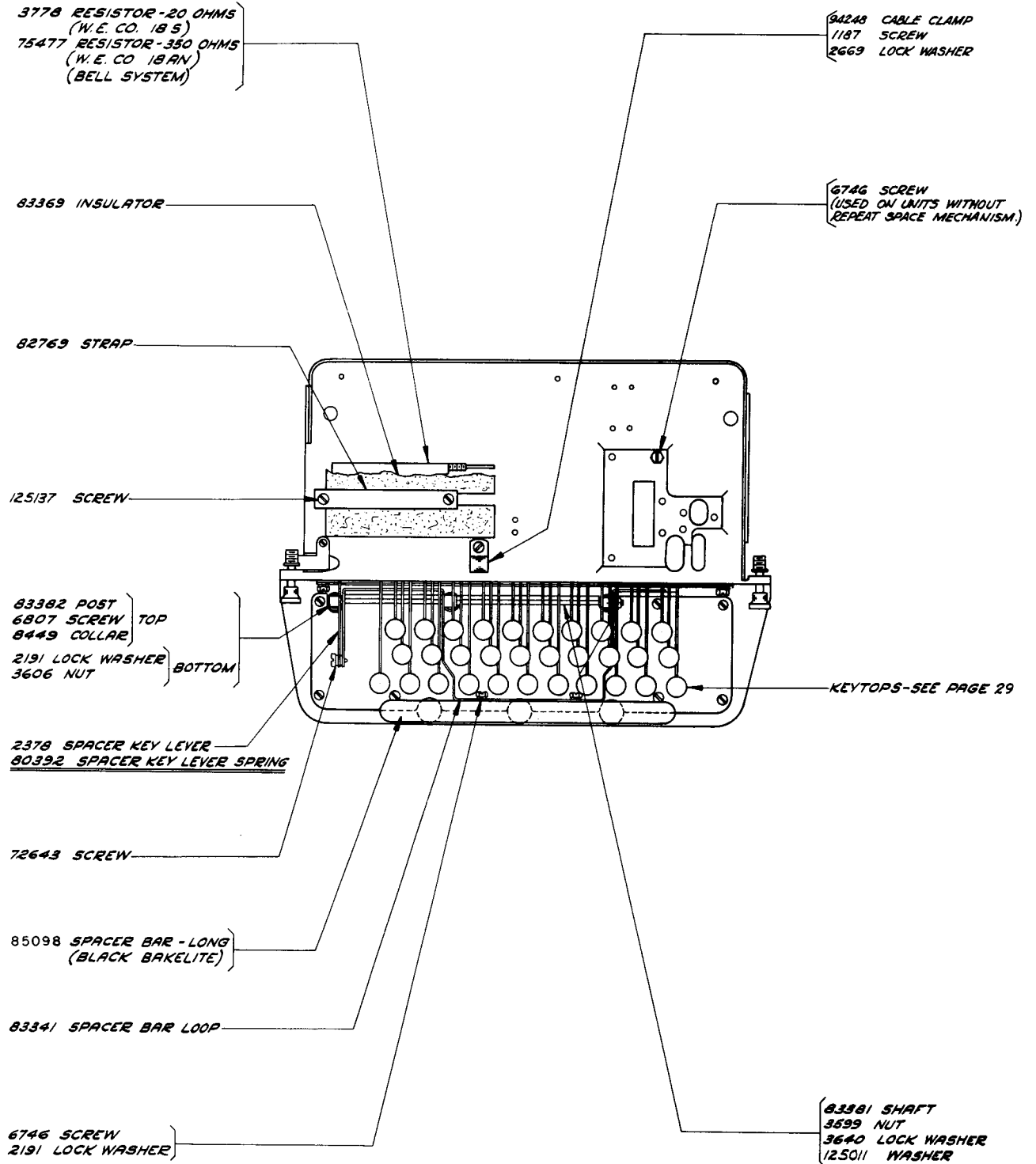
SPECIFICATION 5554S

112549 SET OF PARTS TO PROVIDE LOCAL TEST ON KEYBOARD

(SEE PAGE 6 FOR ADDITIONAL PARTS MARKED ⓐ)

ⓐ 106938 SET OF PARTS TO CONVERT THE PUSH TYPE TEST KEY TO THE CAM TYPE TEST KEY.

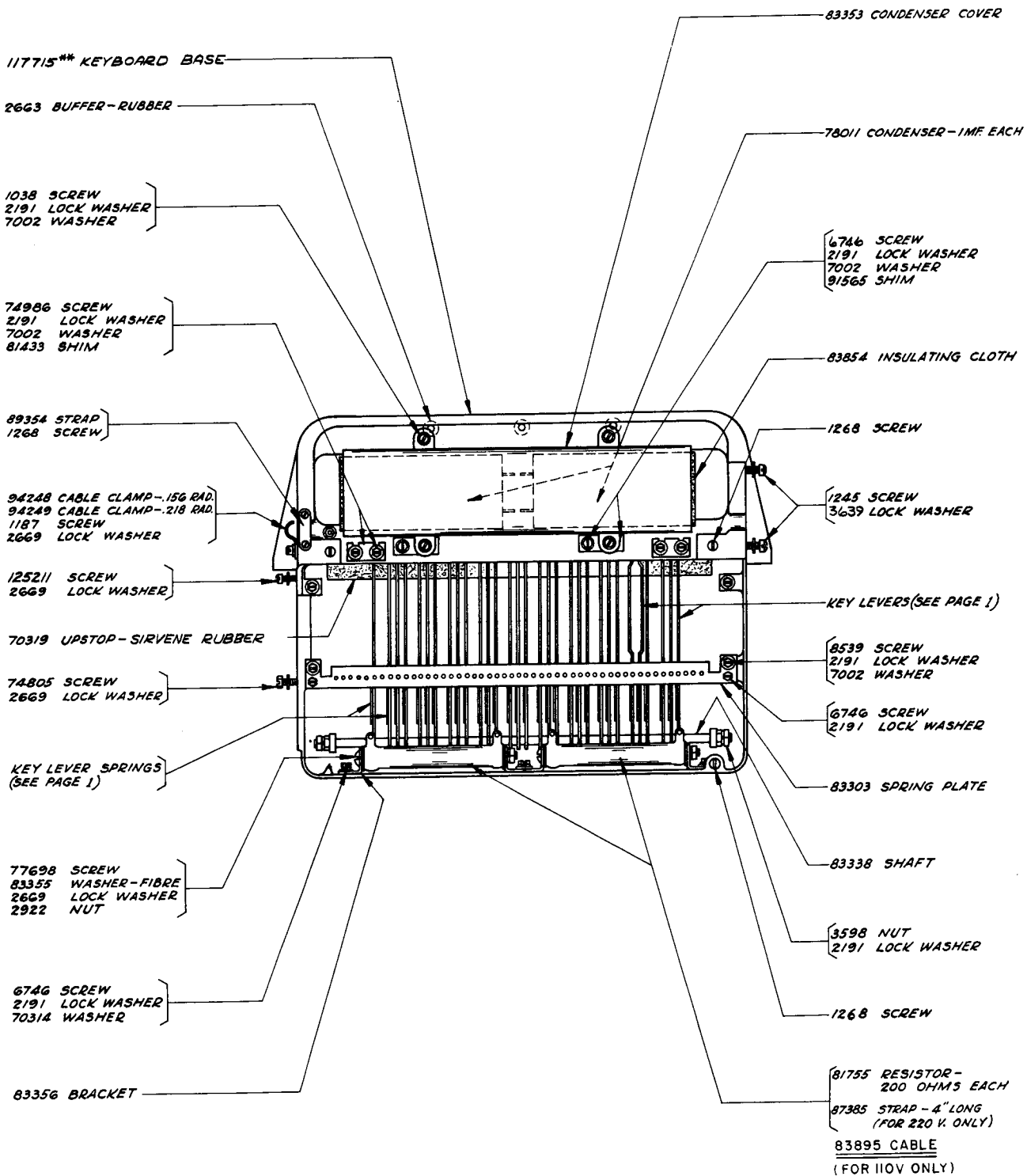
ⓑ THE 92534 LINE TEST KEY (W.E. CO. 92AU) DIFFERS FROM THE 75437 LINE TEST KEY (W.E. CO. 92D) IN THAT IT IS PROVIDED WITH A PLUNGER OR BUTTON WHICH NORMALLY HOLDS THE CONTACTS LOCKED IN THE "OPERATING" OR "LINE" POSITION. THIS PLUNGER IS INTENDED TO BE RELEASED ONLY BY MAINTENANCE MEN FOR TEST PURPOSES.



KEYBOARD BASE
(TOP VIEW)

(WITH SPACER KEY LEVER LOCATED AT LEFT SIDE)

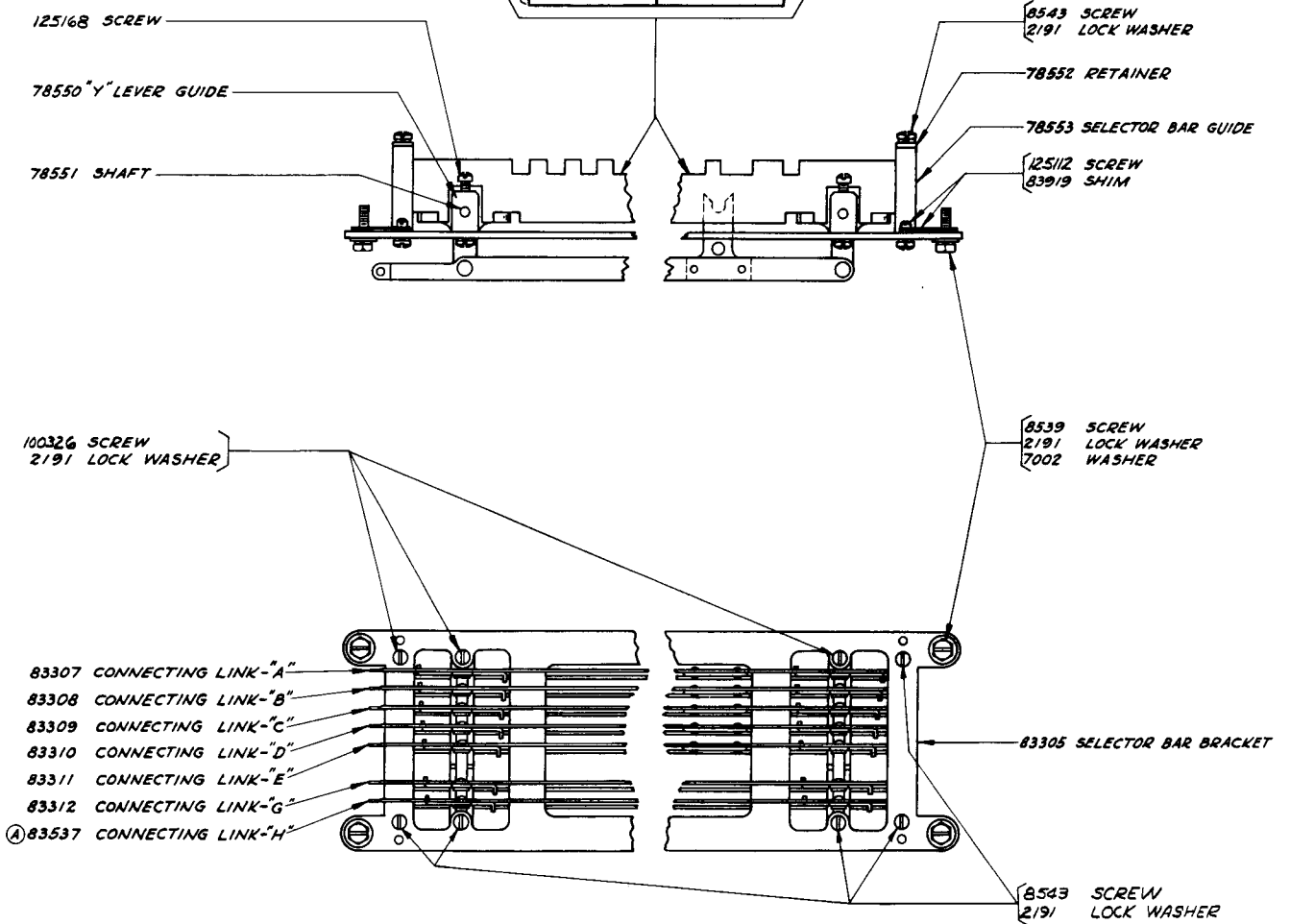
(PARTS NOT SHOWN OR LISTED SAME AS SHOWN ON PAGE 1)



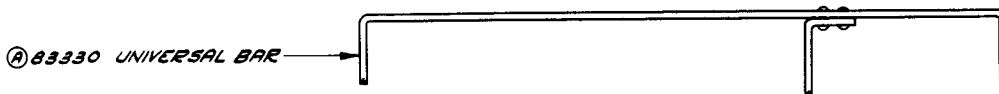
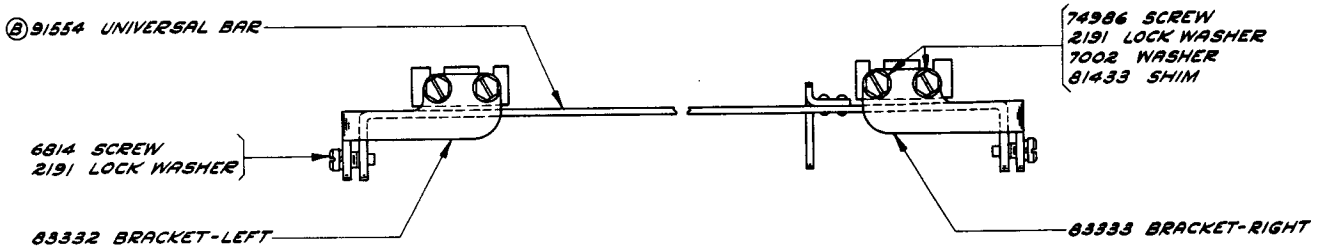
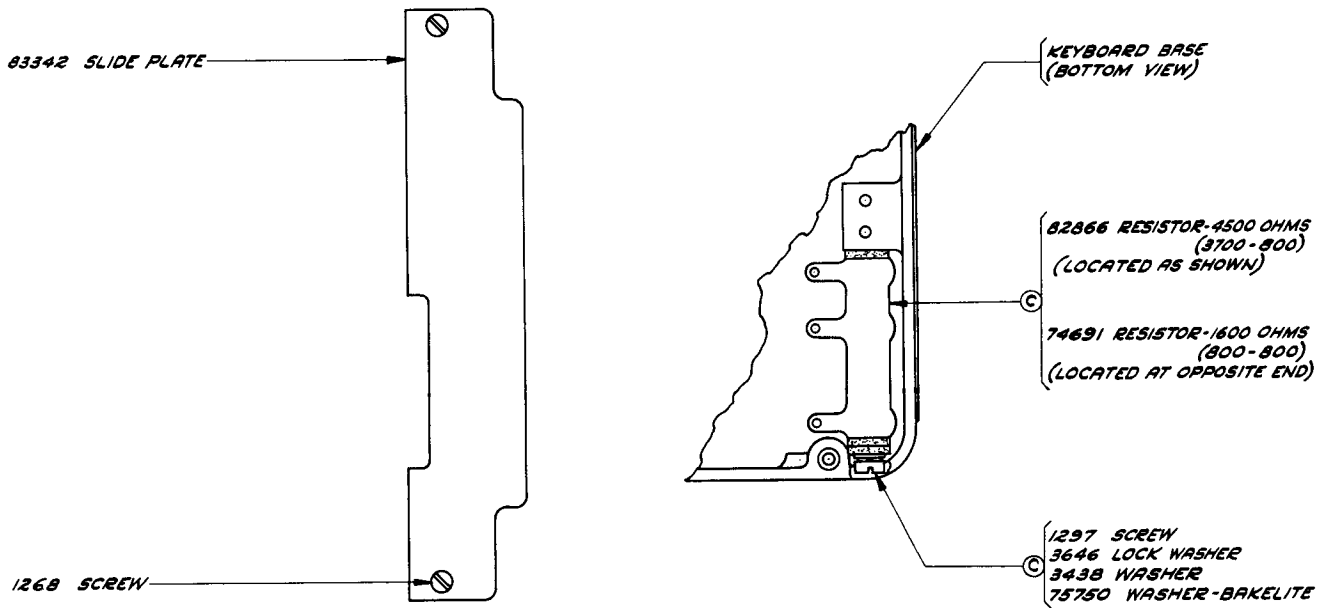
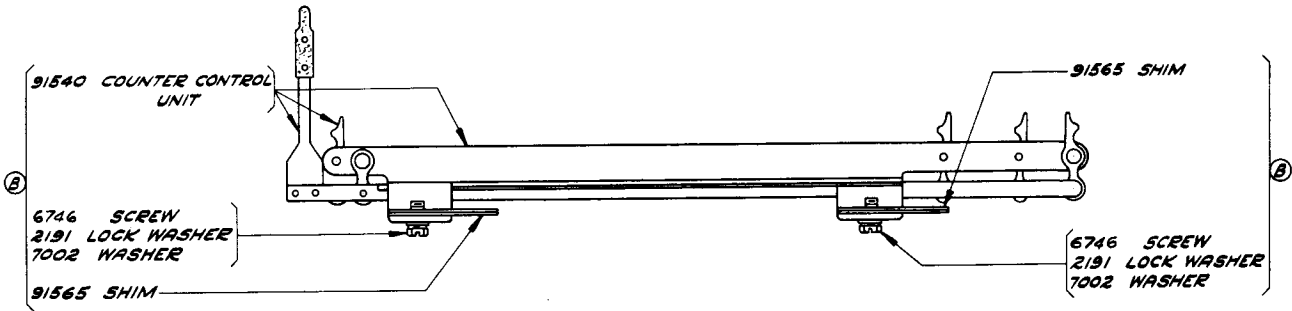
KEYBOARD BASE
(BOTTOM VIEW)

** SEE CHART ON PAGE D FOR FINISH SUFFIX.

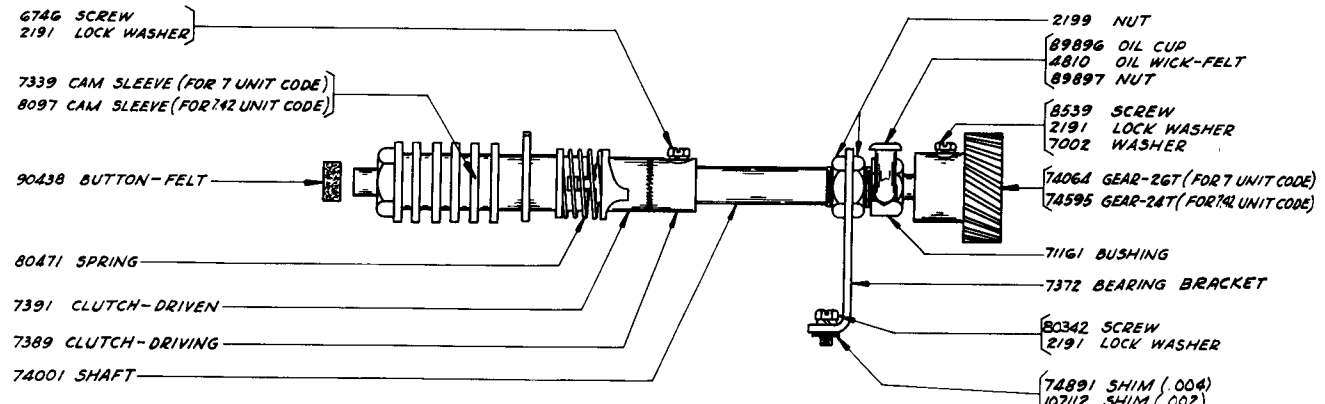
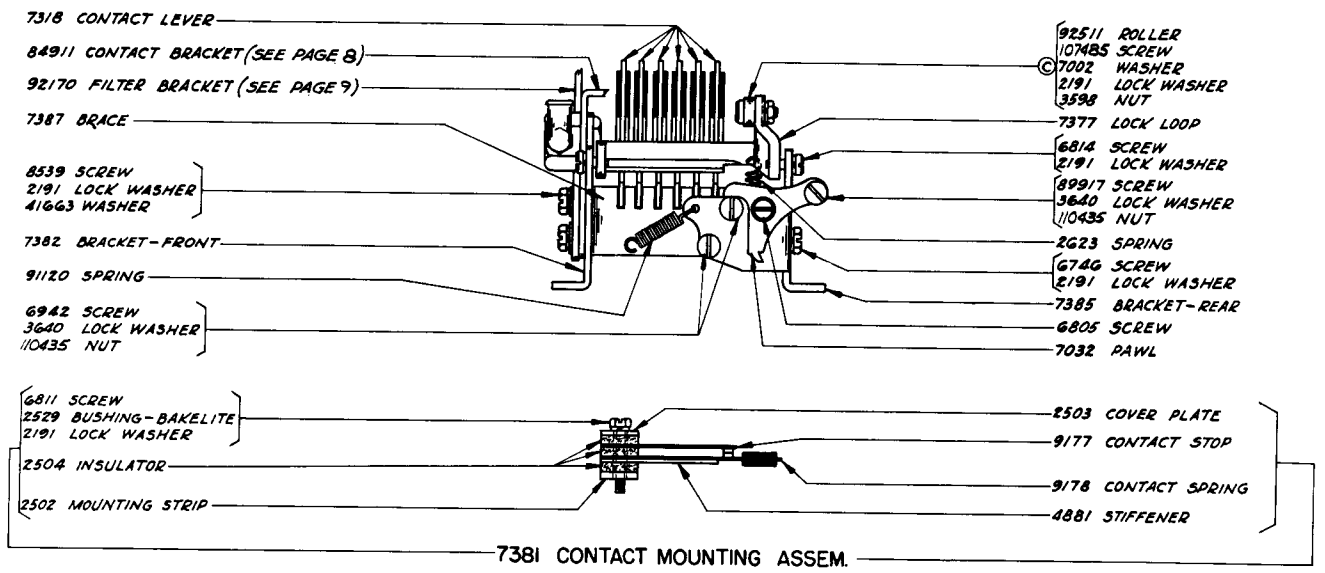
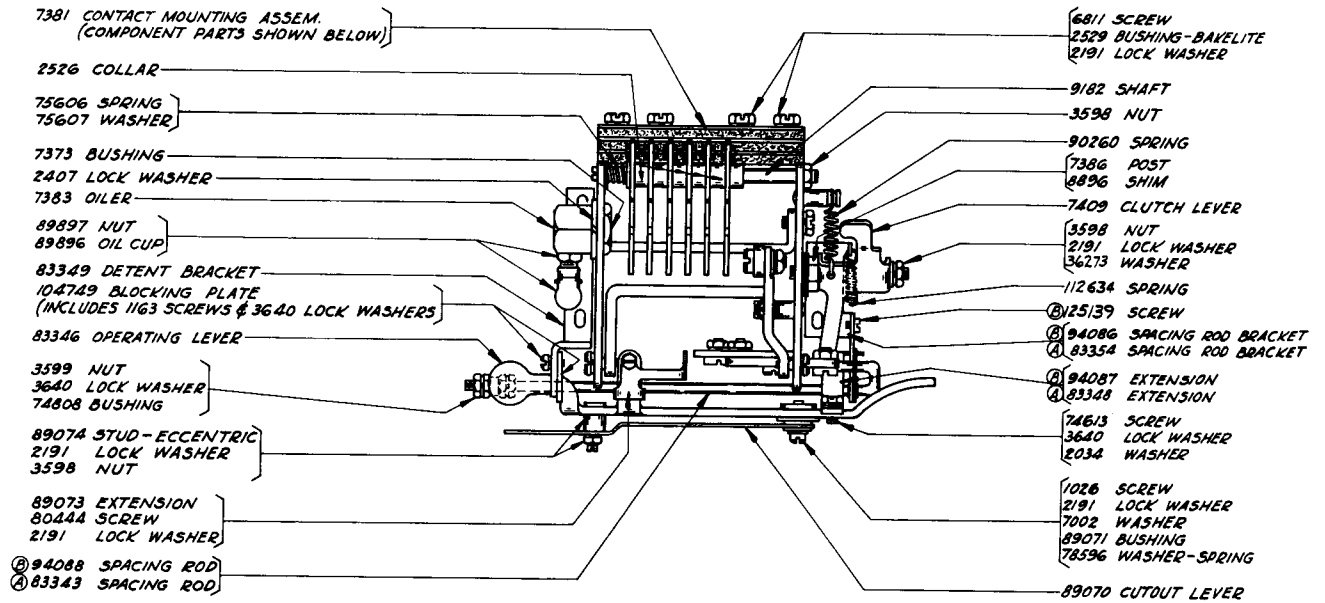
SELECTOR BARS	
NO. STAMPED ON BAR	PART NUMBER
A-1	83314
A-2	83315
B-1	83316
B-2	83317
C-1	83318
C-2	83319
D-1	83320
D-2	83321
E-1	83322
E-2	83323
G-2	83324
H-1	83325
H-2	83326



Ⓐ USED ONLY ON UNITS WITH 81727 COUNTER CONTROL CONTACT ASSEMBLY MOUNTED ON THE PERFORATOR UNIT (SEE PAGE II).



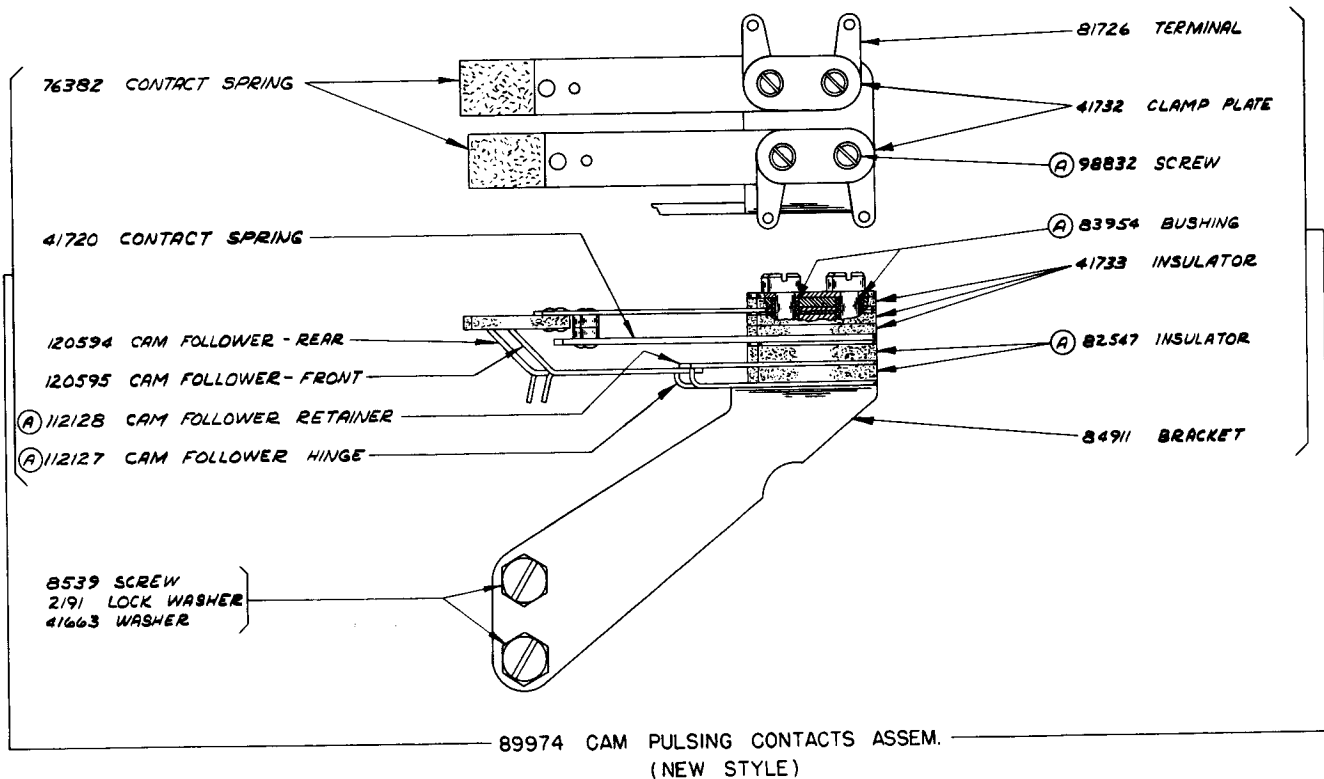
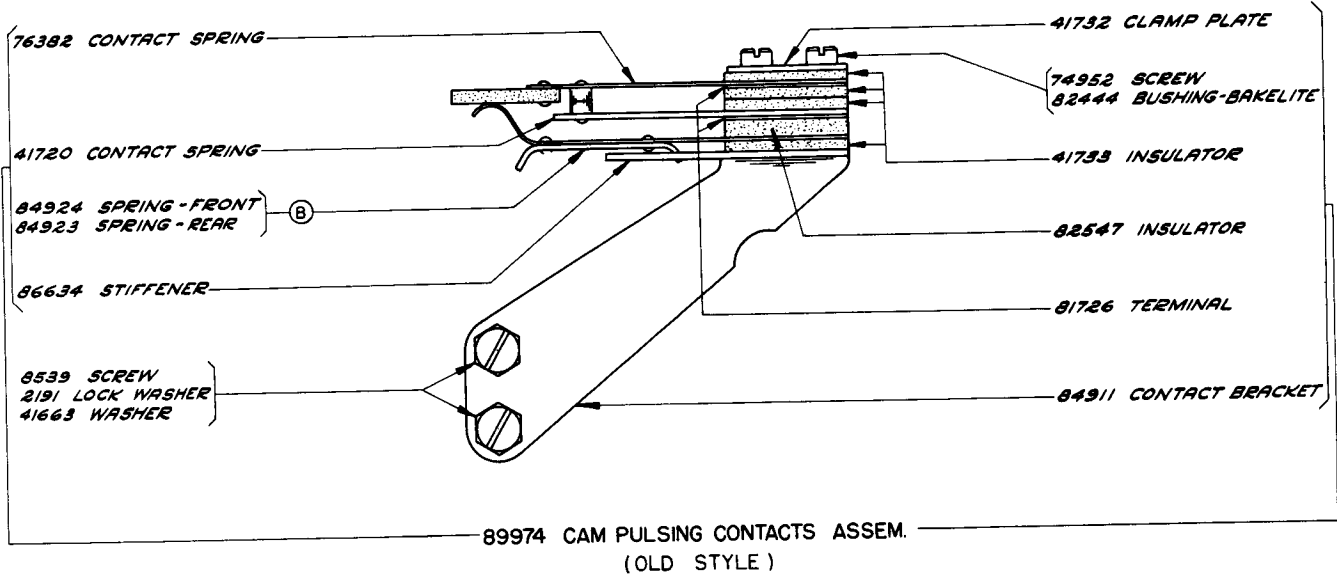
- (A) USED ONLY ON UNITS WITH 81727 COUNTER CONTROL CONTACT ASSEMBLY MOUNTED ON THE REPERFORATOR UNIT (SEE PAGE 11).
- (B) USED ONLY ON UNITS WITH 91571 COUNTER CONTROL CONTACT ASSEMBLY MOUNTED ON THE KEYBOARD (SEE PAGE 9).
- (C) ADDITIONAL PARTS REQUIRED TO COMPLETE 112549 SET OF PARTS (SEE PAGE 2).



④ USED ON UNITS HAVING THE FEED PAWL ATTACHED TO THE ARMATURE LEVER. (SEE PAGES 12 & 13)

② USED ON UNITS NOT HAVING THE FEED PAWL ATTACHED TO THE ARMATURE LEVER. (SEE PAGES 14 & 15)

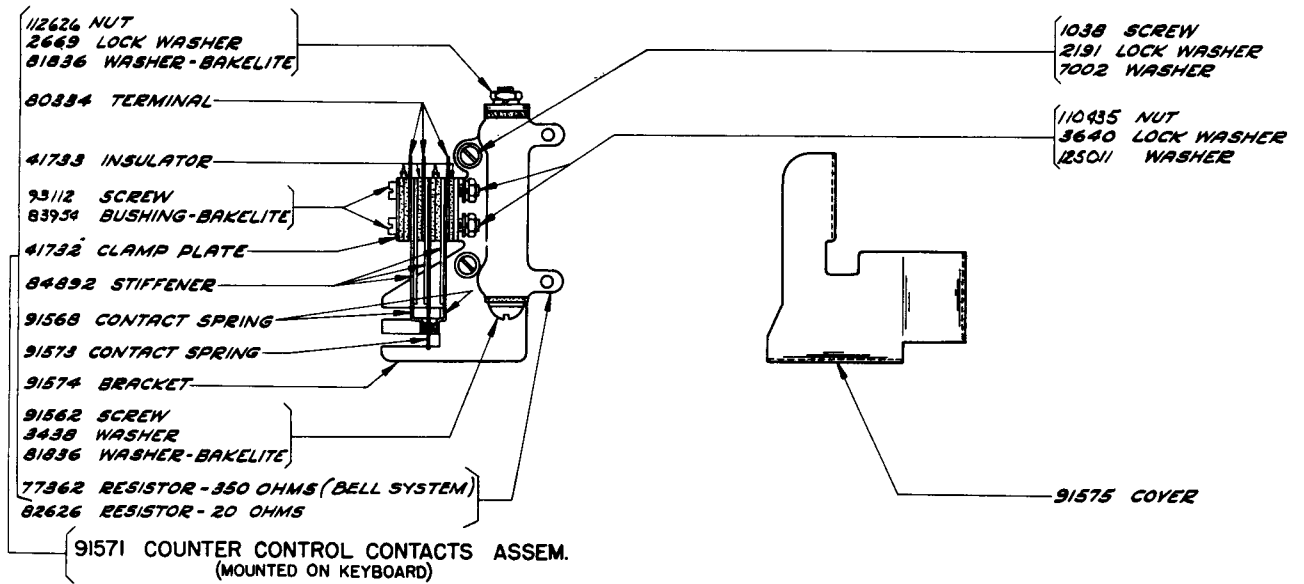
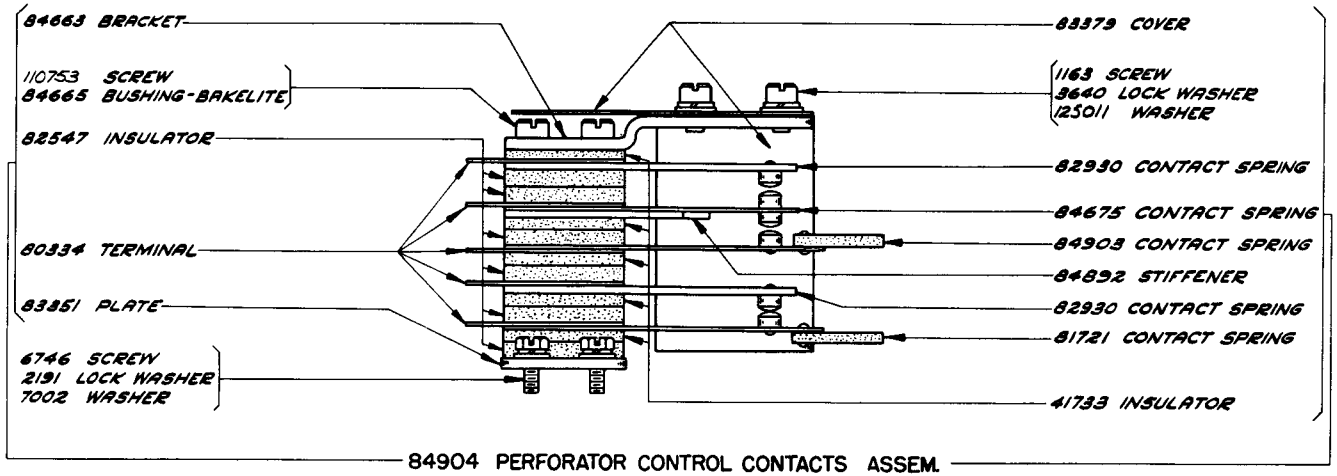
③ 92511 ROLLER USED ONLY ON UNITS HAVING LOCK LOOP ROLLER ADJUSTMENT. UNITS NOT HAVING LOCK LOOP ROLLER ADJUSTMENT USE 7378 ROLLER.

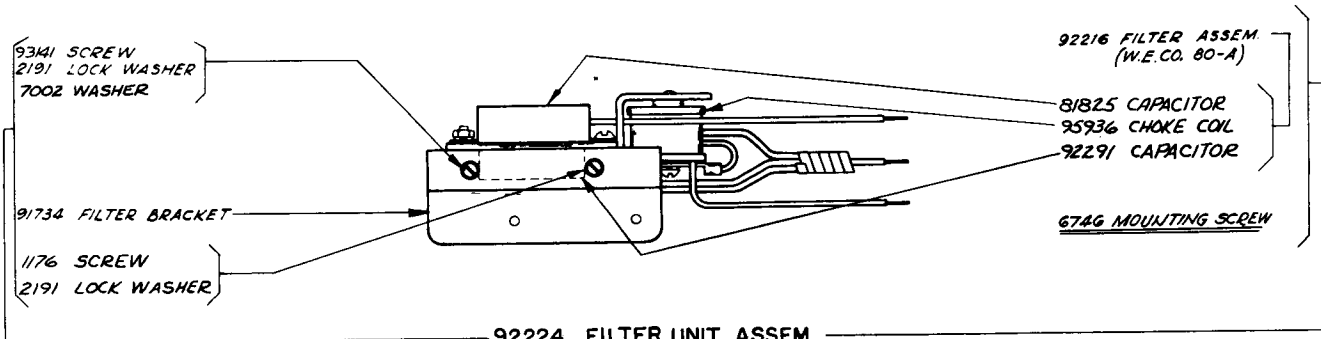


(A) SETS OF PARTS FOR CONVERTING OLD STYLE ASSEMBLY TO NEW STYLE ASSEMBLY
 THE 106994 SET OF PARTS CONSISTS OF THE PARTS MARKED (A) PLUS THE 120595 CAM FOLLOWER
 THE 106995 SET OF PARTS CONSISTS OF THE PARTS MARKED (A) PLUS THE 120594 CAM FOLLOWER
 (IF ONE PART IS CONVERTED, CHANGE ALL PARTS IN THE ASSOCIATED SET)

REFER TO SPEC. 5622S FOR INSTALLATION INSTRUCTIONS

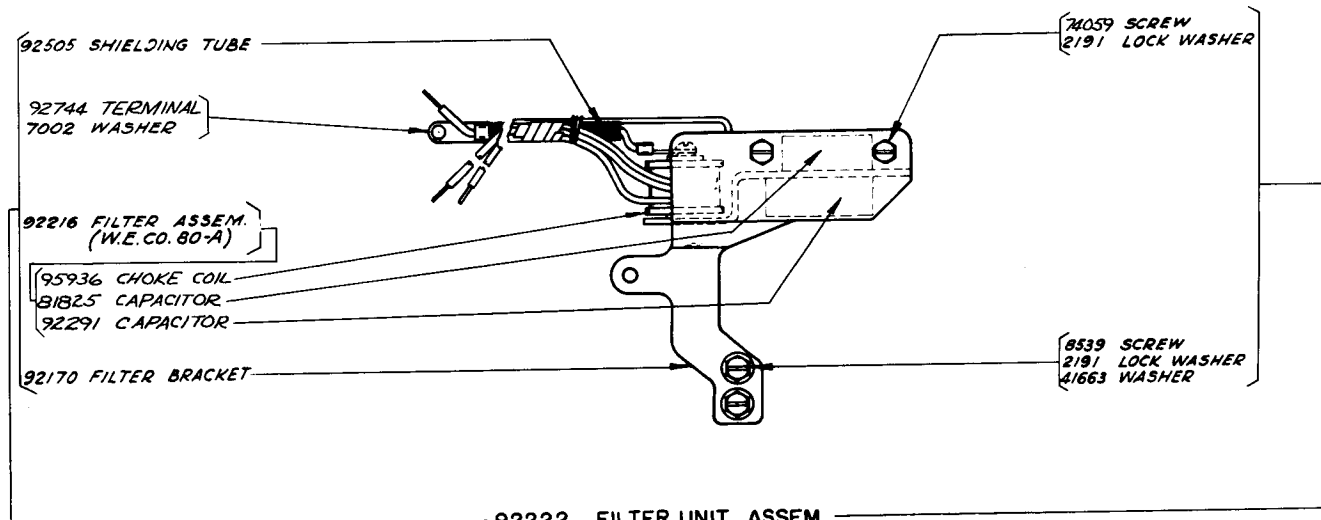
(B) PARTS MARKED (B) ARE NO LONGER AVAILABLE FOR MAINTENANCE.





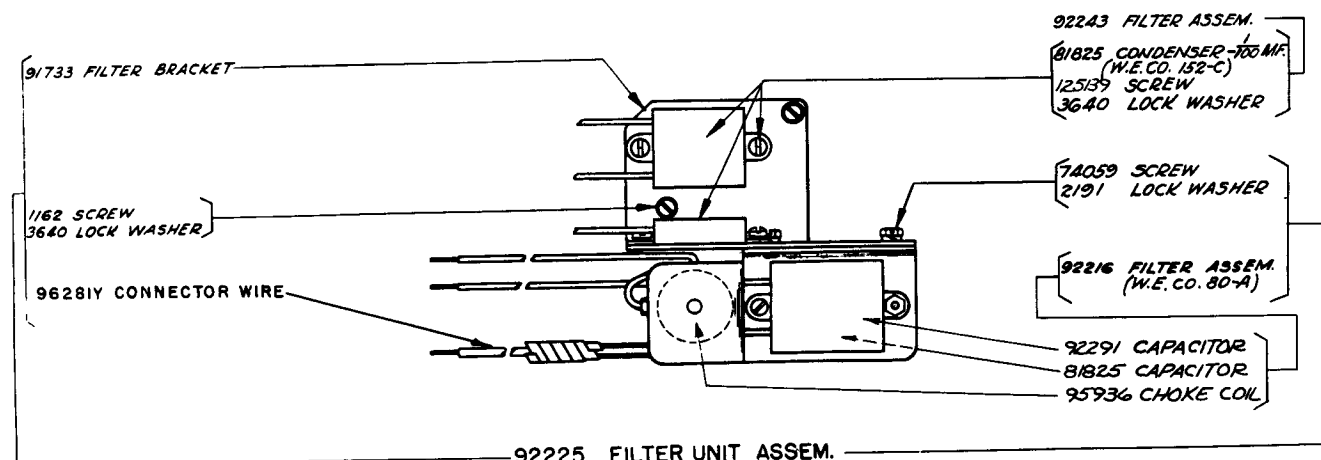
92224 FILTER UNIT ASSEM.
(CAM PULSING CONTACTS)

REFER TO SPEC. 5135S FOR INSTALLATION INSTRUCTIONS



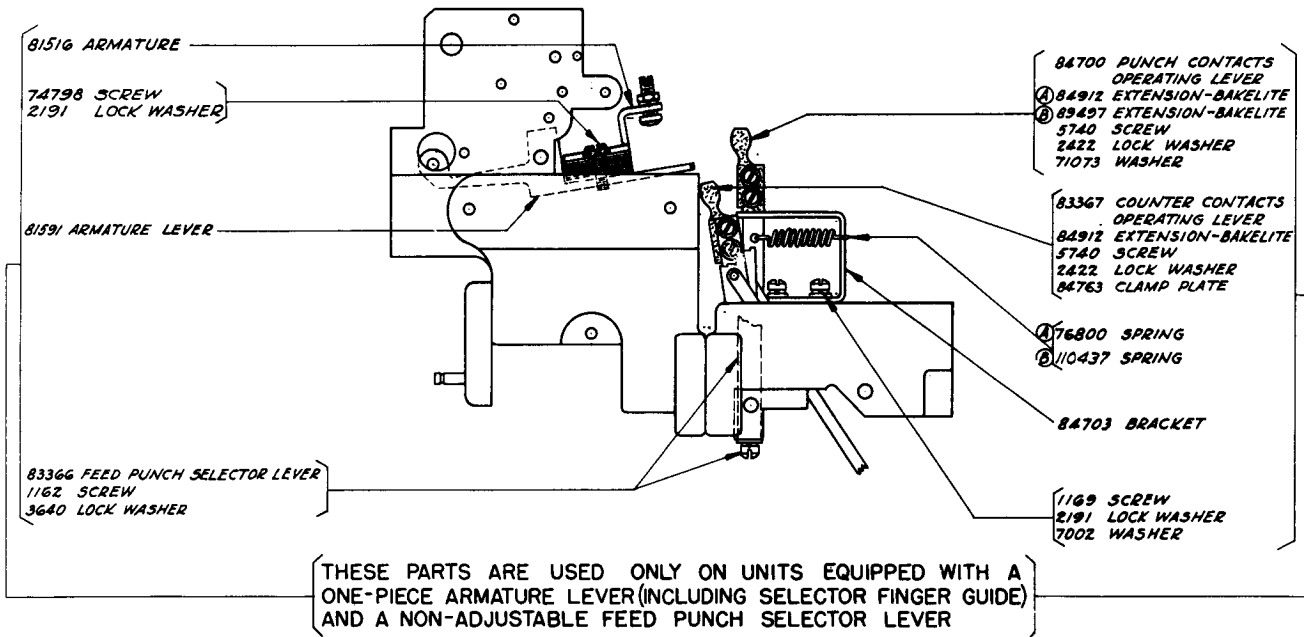
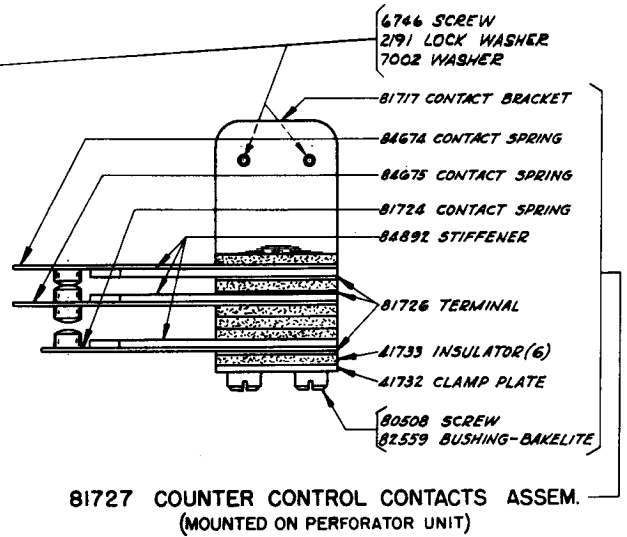
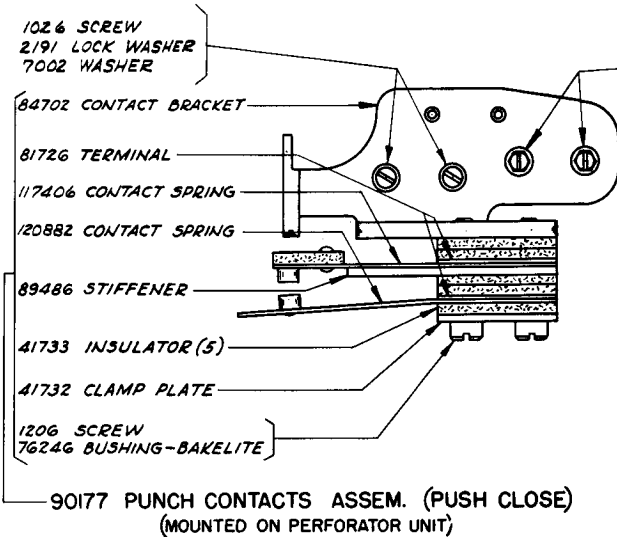
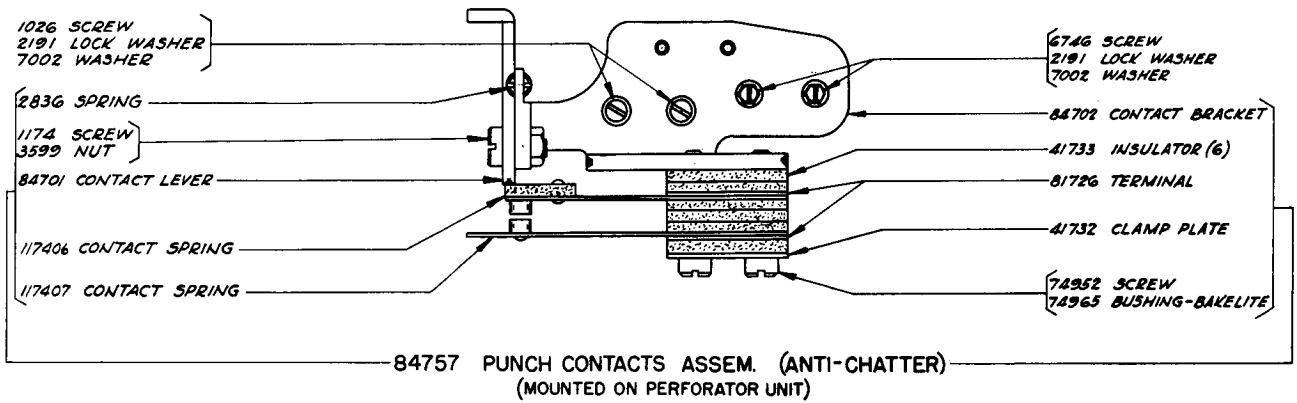
92222 FILTER UNIT ASSEM.
(KEYBOARD TRANSMITTING CONTACTS)

REFER TO SPEC. 5168S FOR INSTALLATION INSTRUCTIONS

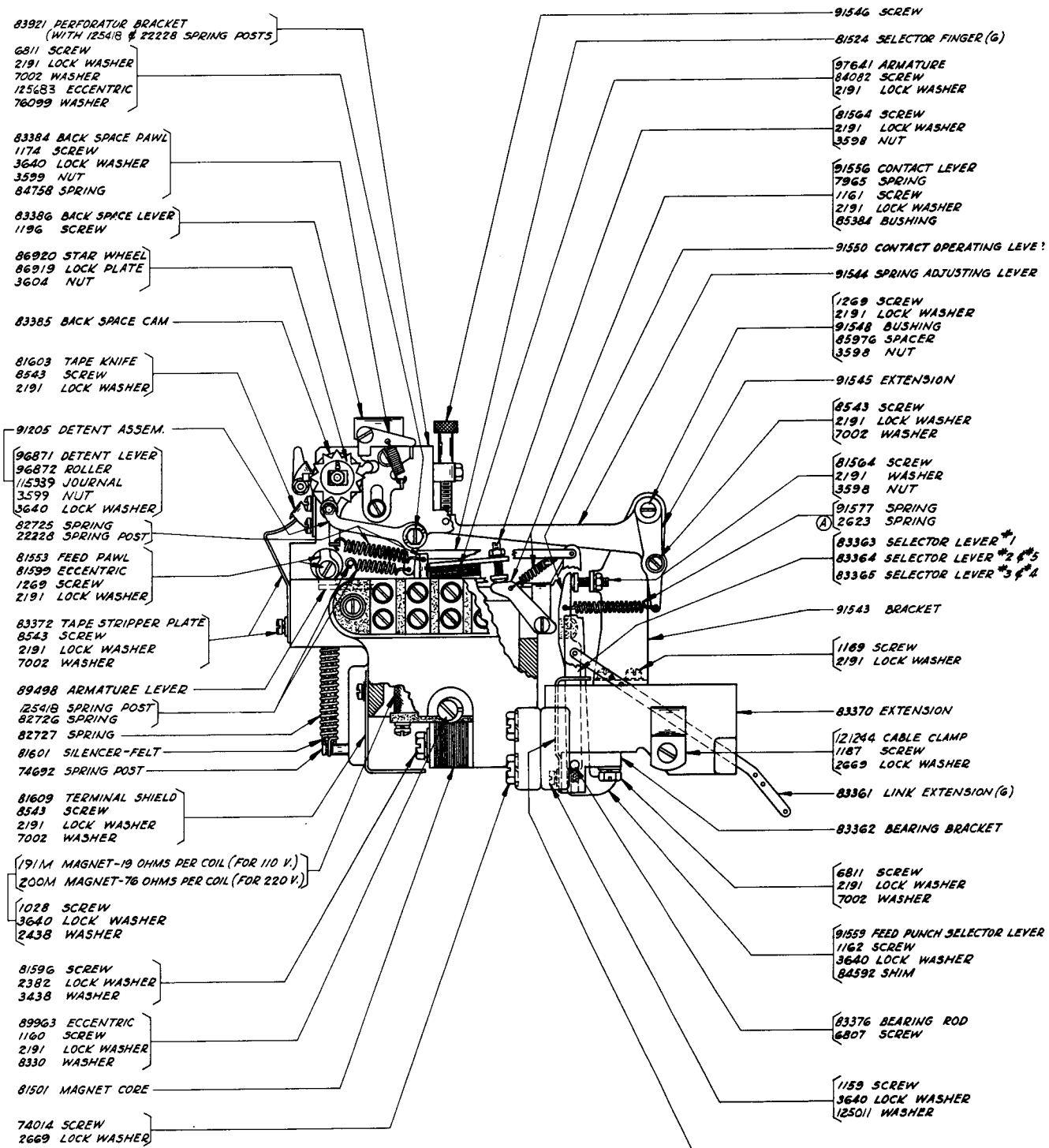


92225 FILTER UNIT ASSEM.
(PUNCH MAGNET)

REFER TO SPEC. 5136S FOR INSTALLATION INSTRUCTIONS



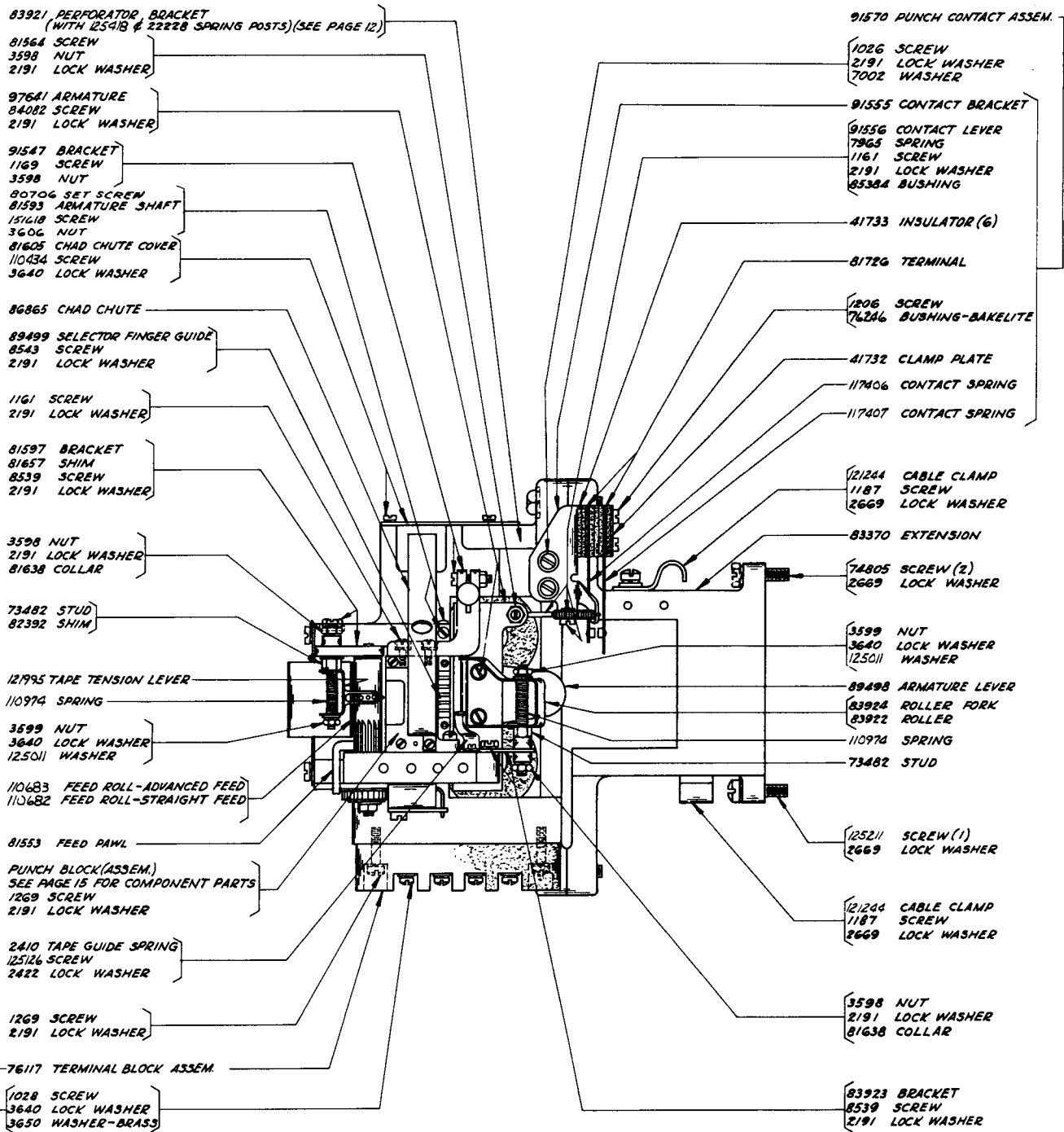
Ⓐ USED WITH THE 84757 PUNCH CONTACTS ASSEM.
Ⓑ USED WITH THE 90177 PUNCH CONTACTS ASSEM.



PUNCH UNIT
(FRONT VIEW)

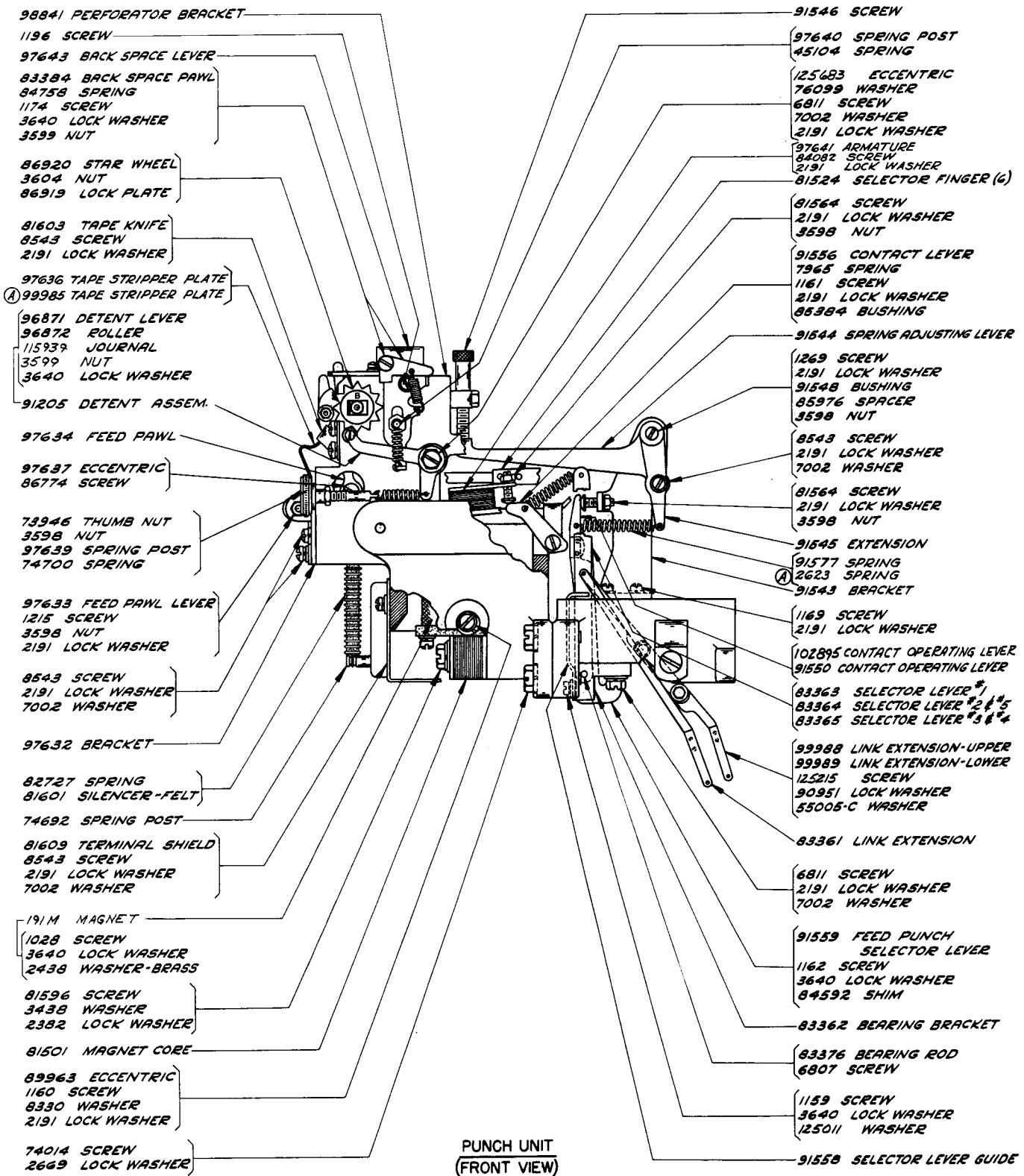
ALL PARTS LISTED ON THIS PAGE AND PAGE 11
ARE USED ON UNITS HAVING THE FEED PAWL
ATTACHED TO THE ARMATURE LEVER.

(A) USED ON UNITS HAVING THE 102883 PUNCH CONTACT AND LATCH ASSEM. (SEE PAGE 16)



PUNCH UNIT
(TOP VIEW)

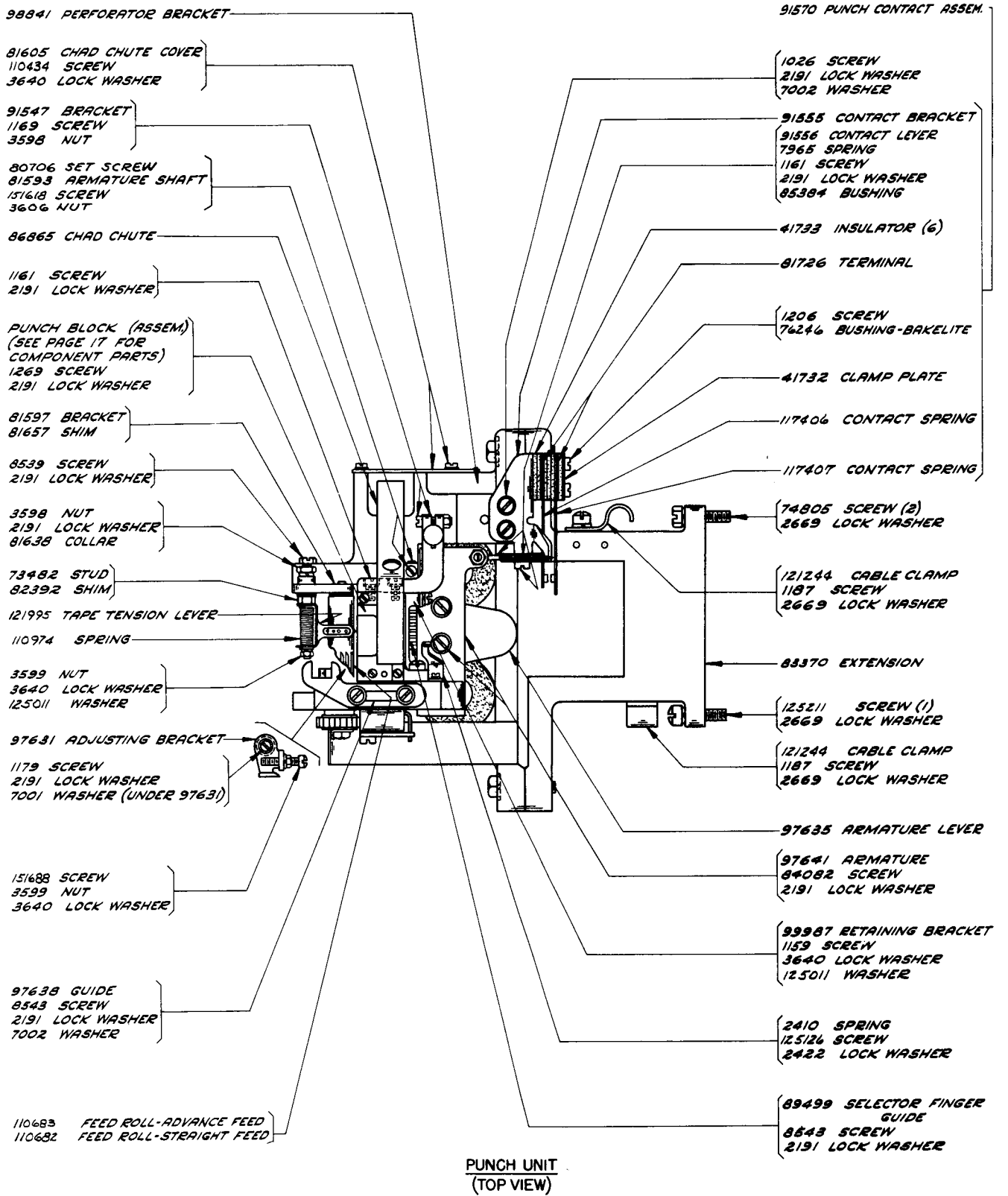
ALL PARTS LISTED ON THIS PAGE AND PAGE 12
ARE USED ON UNITS HAVING THE FEED PAWL
ATTACHED TO THE ARMATURE LEVER.



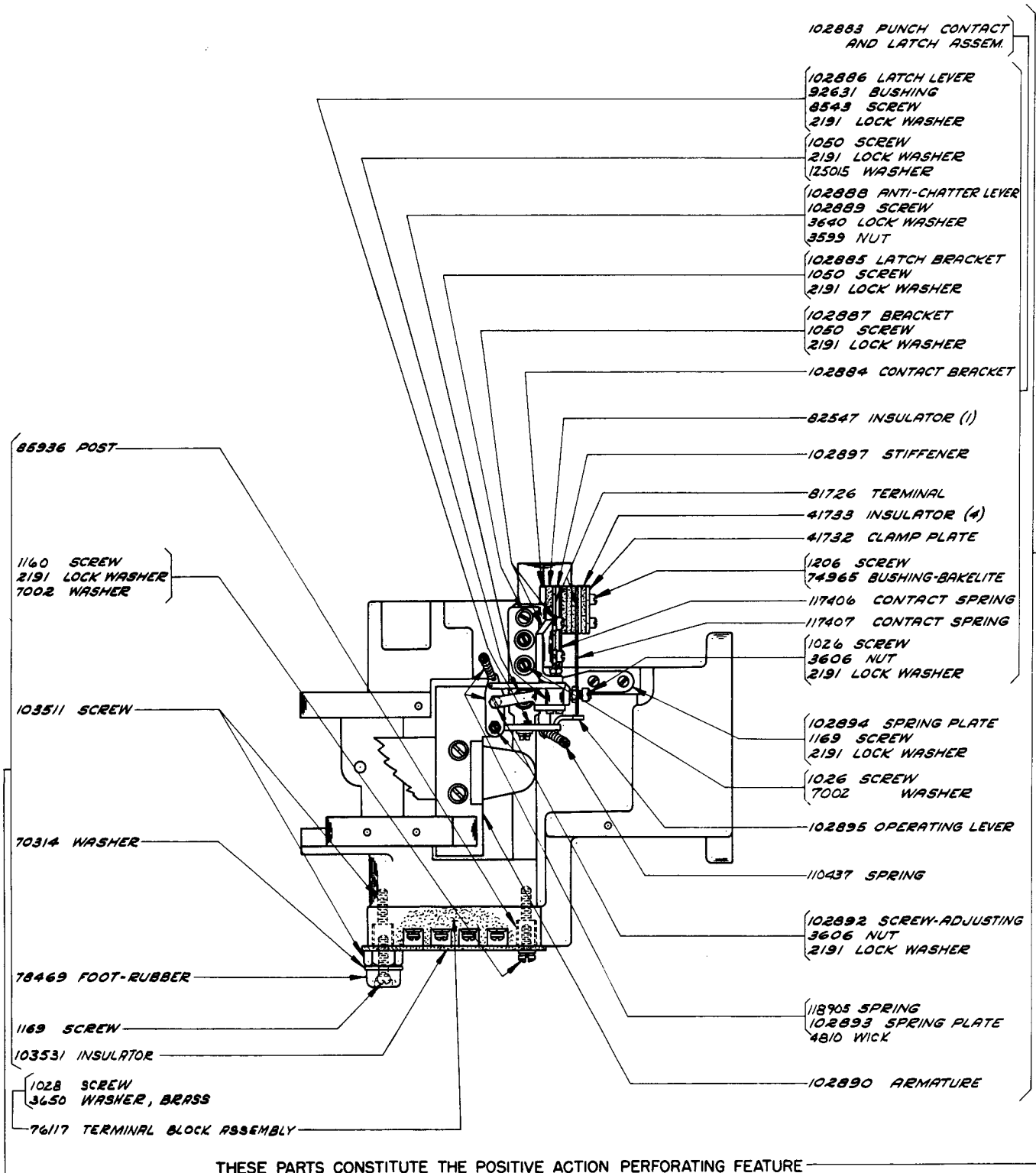
PUNCH UNIT
(FRONT VIEW)

ALL PARTS LISTED ON THIS PAGE AND PAGE 15
ARE USED ON UNITS NOT HAVING THE FEED PAWL
ATTACHED TO THE ARMATURE LEVER.

(A) USED ON UNITS HAVING THE 102883 PUNCH CONTACT AND LATCH ASSEM. (SEE PAGE 16)



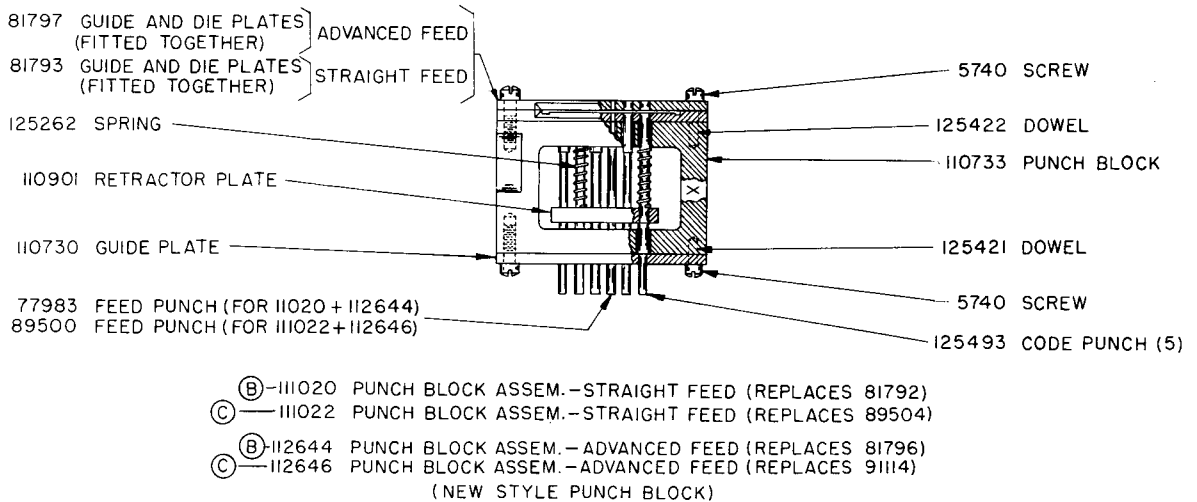
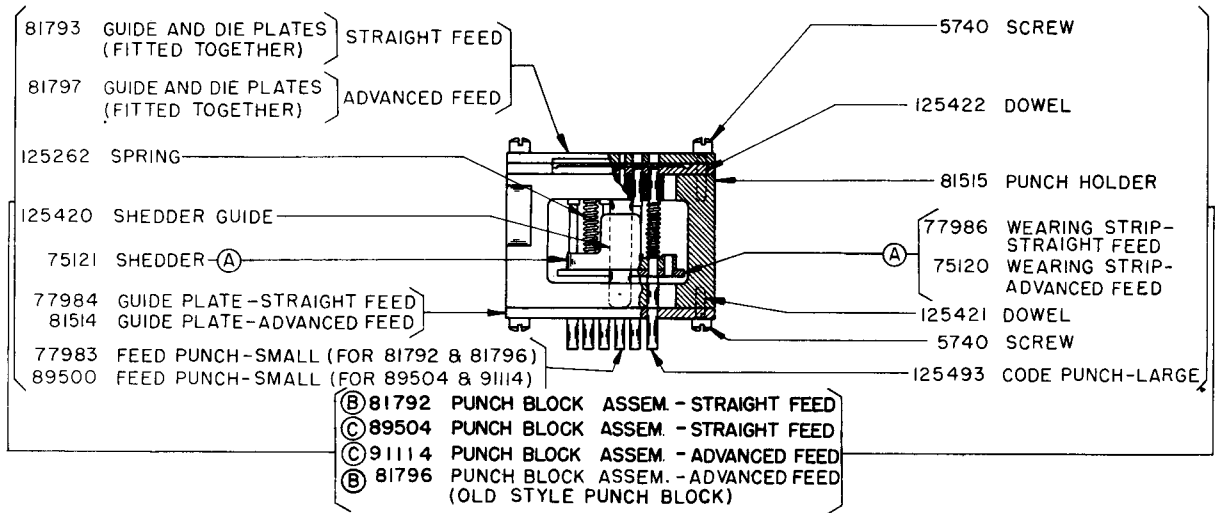
ALL PARTS LISTED ON THIS PAGE AND PAGE 14
ARE USED ON UNITS NOT HAVING THE FEED PAWL
ATTACHED TO THE ARMATURE LEVER.



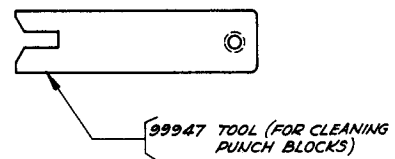
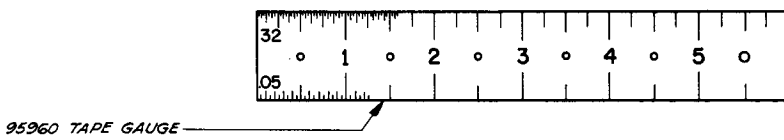
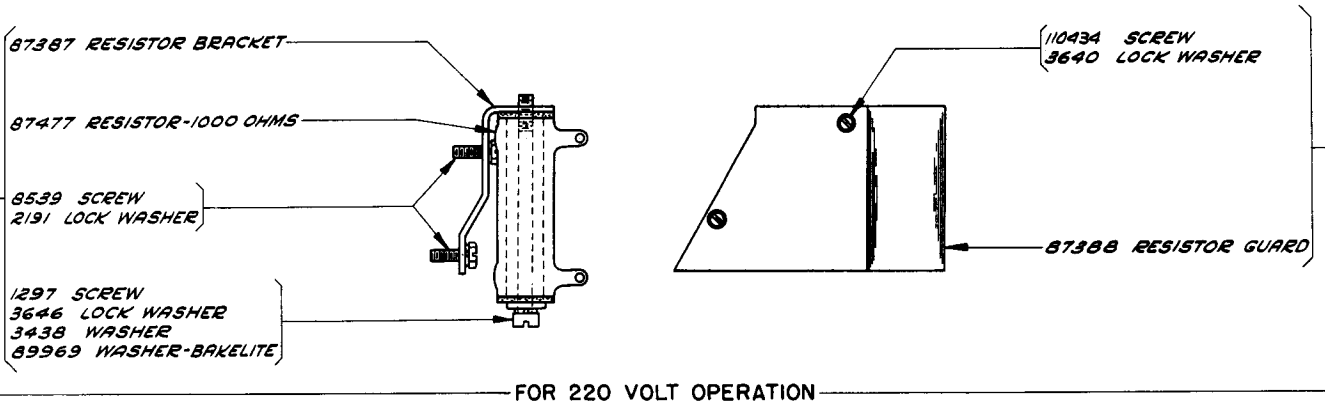
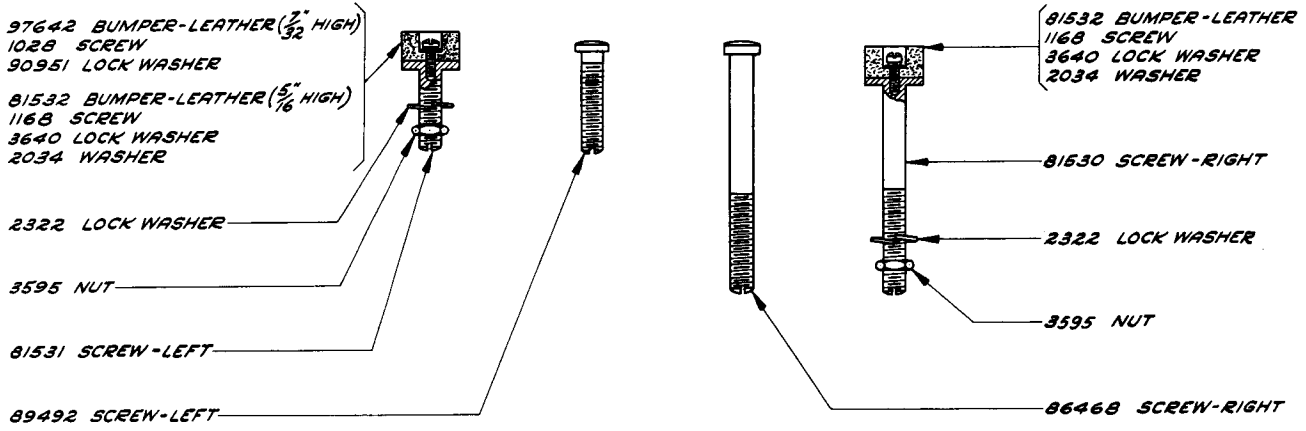
THESE PARTS CONSTITUTE THE POSITIVE ACTION PERFORATING FEATURE

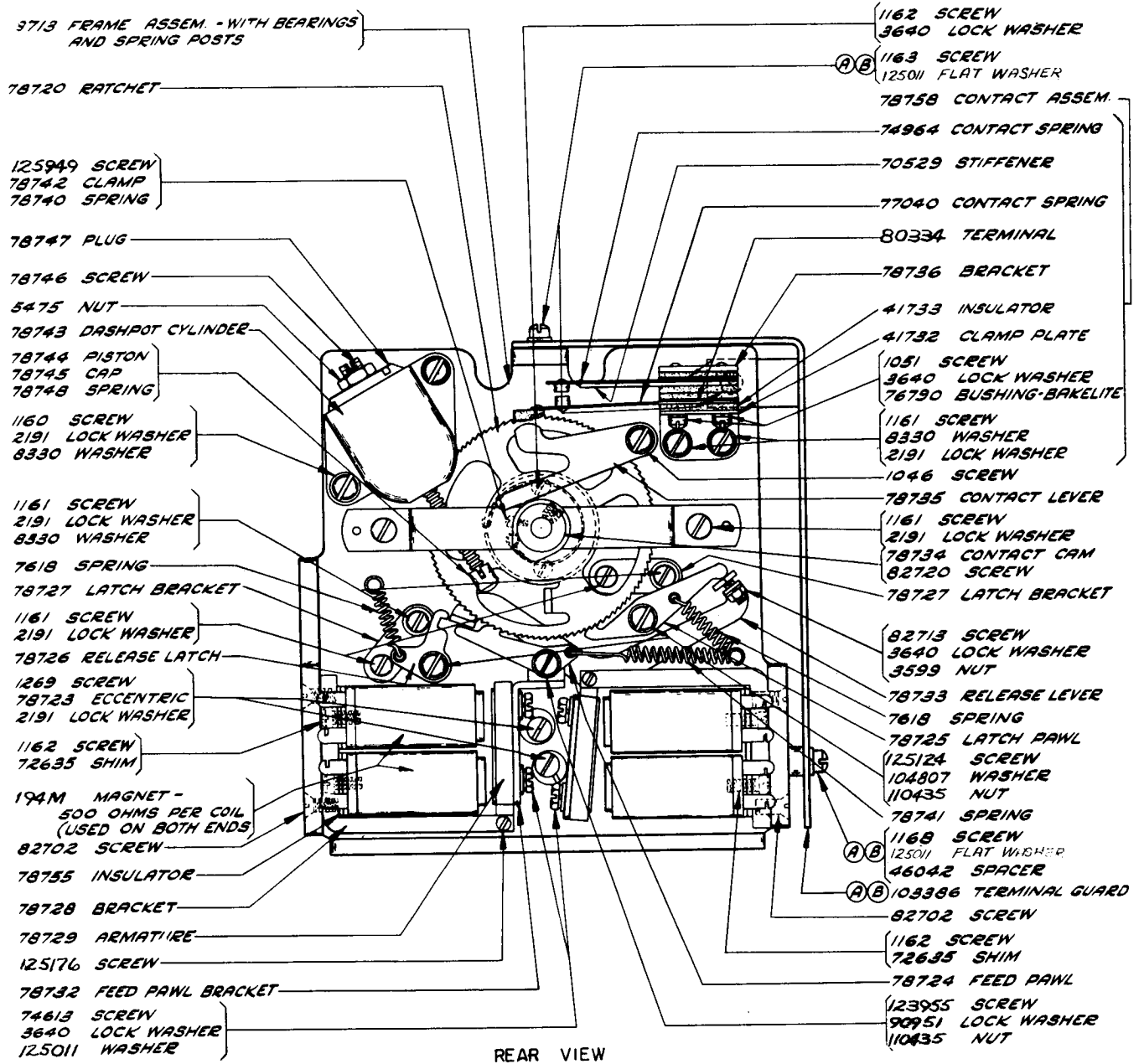
103551 SET OF PARTS TO PROVIDE COVER LOCATING STOP AND TERMINAL BLOCK GUARD

(PARTS NOT SHOWN OR LISTED SAME AS SHOWN ON PAGES 14 & 15)

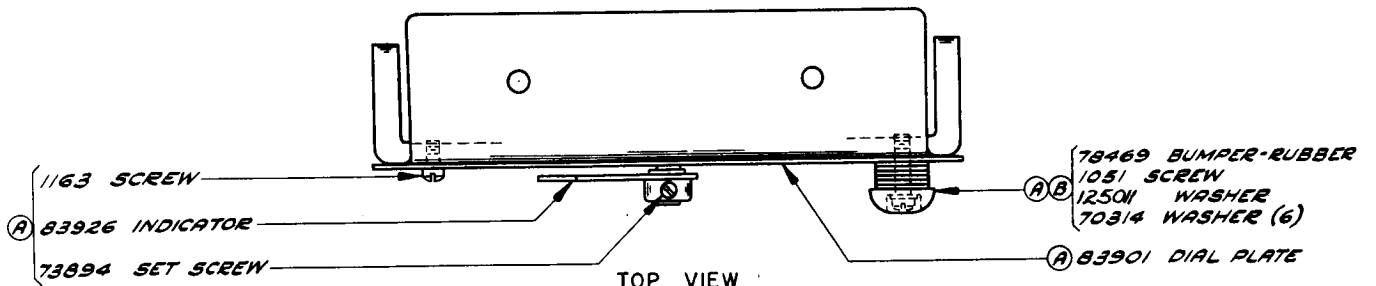


- (A) PARTS MARKED (A) ARE NO LONGER AVAILABLE FOR MAINTENANCE.
- (B) THE 111020 OR 112644 (FORMERLY 81792 & 81796) PUNCH BLOCK ASSEMBLY IS USED WHEN THE UNIT IS EQUIPPED WITH THE 81591 ARMATURE LEVER. (SEE PAGE 11)
- (C) THE 111022 OR 112646 (FORMERLY 89504 & 91114) PUNCH BLOCK ASSEMBLY IS USED WITH ALL ARMATURE ASSEMBLIES THAT INCLUDE THE 89499 SELECTOR FINGER GUIDE (SEE PAGES 13 AND 15). FOR IDENTIFICATION THE 111022 & 112646 (OR 89504 & 91114) PUNCH BLOCK ASSEMBLIES HAVE AN "X" STAMPED AFTER THE SERIAL NUMBER.





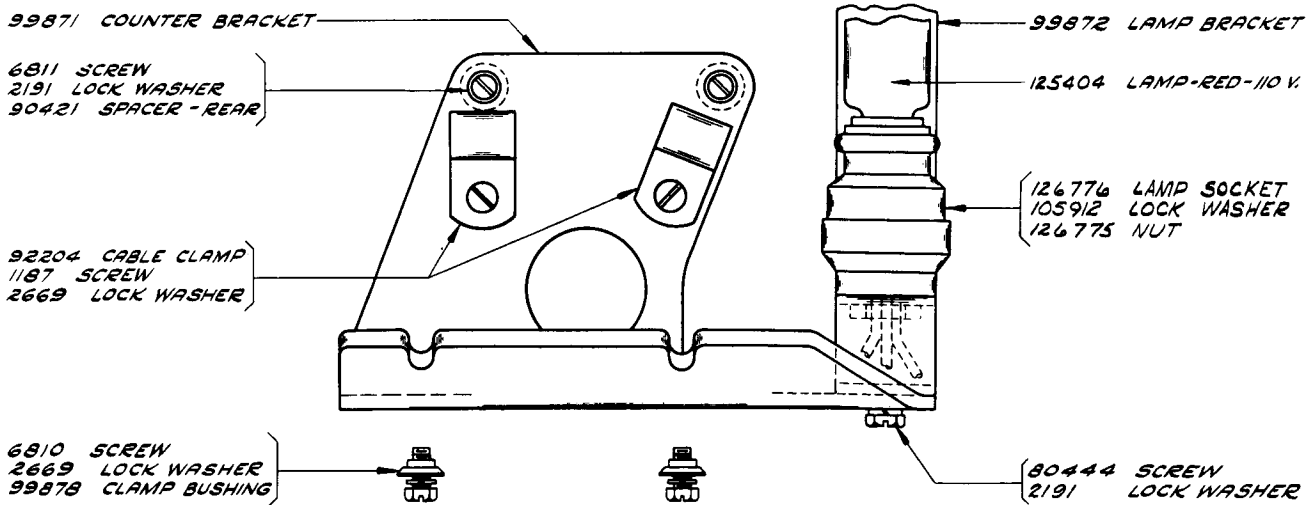
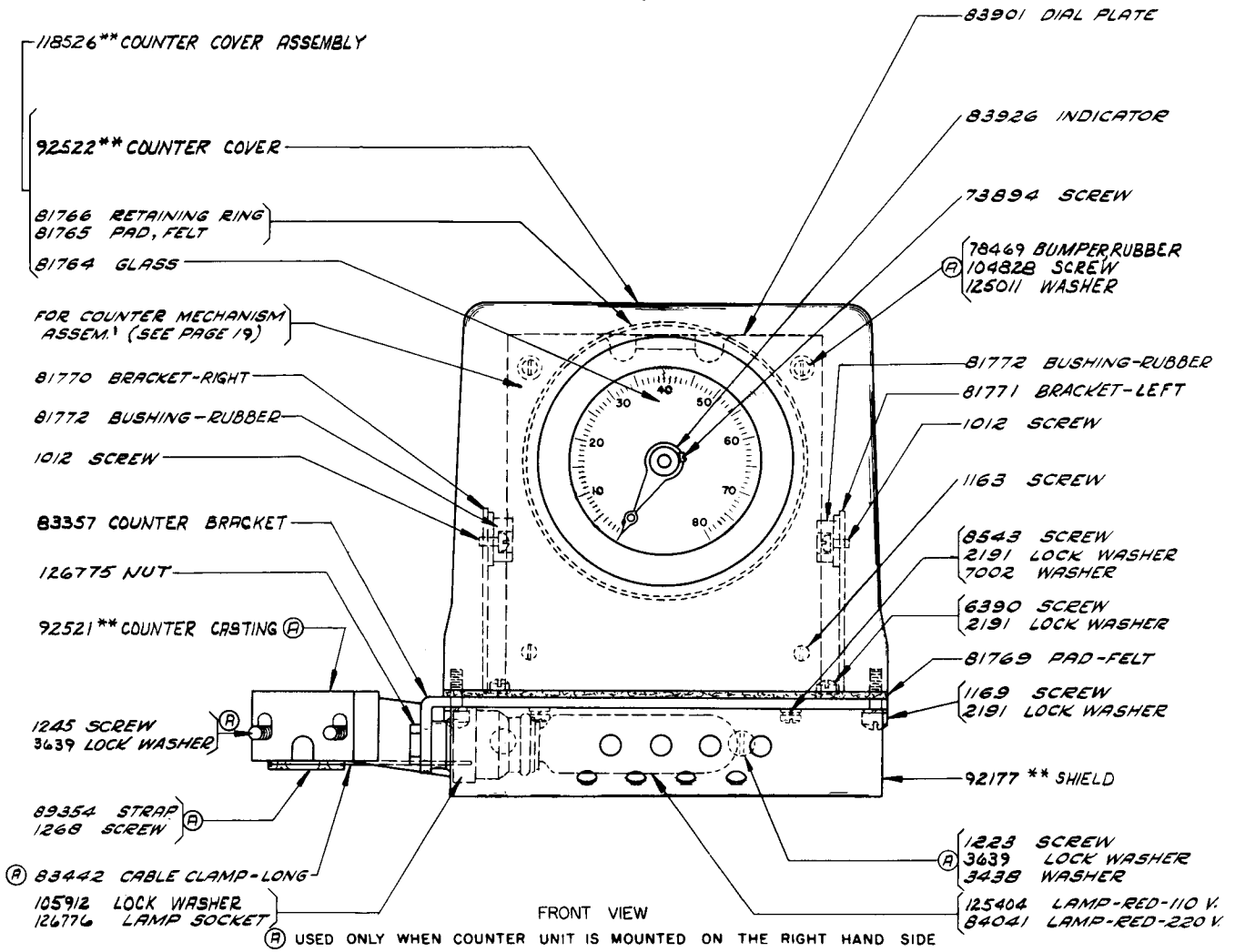
REAR VIEW



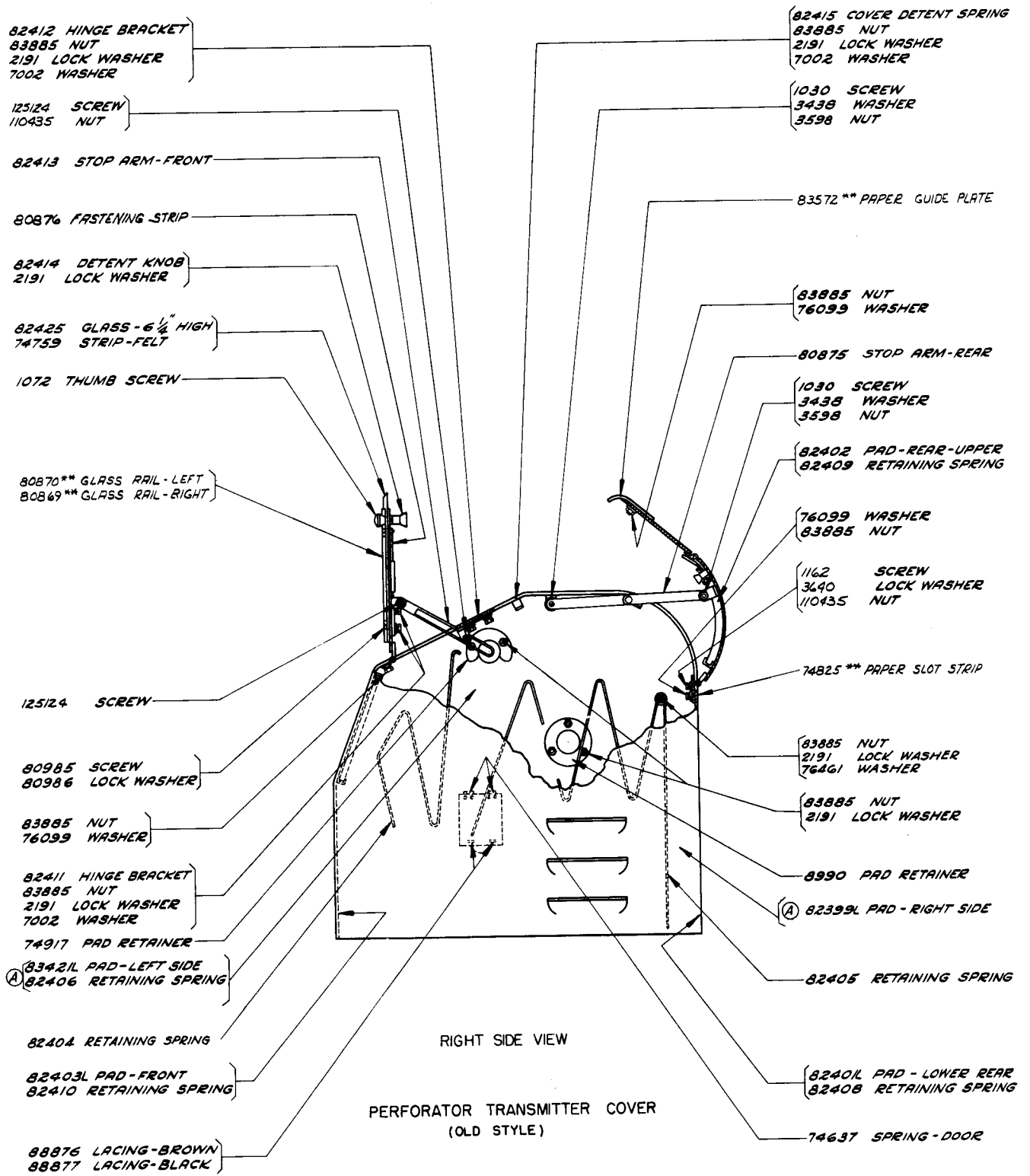
TOP VIEW

83437 COUNTER MECHANISM ASSEM. (EXCLUDES PARTS MARKED (A))
(FOR LEFT OR RIGHT HAND MOUNTING)
(OLD STYLE)

(B) PARTS ARE USED ONLY WHEN COUNTER MECHANISM ASSEM. IS MOUNTED ON THE LEFT HAND SIDE.

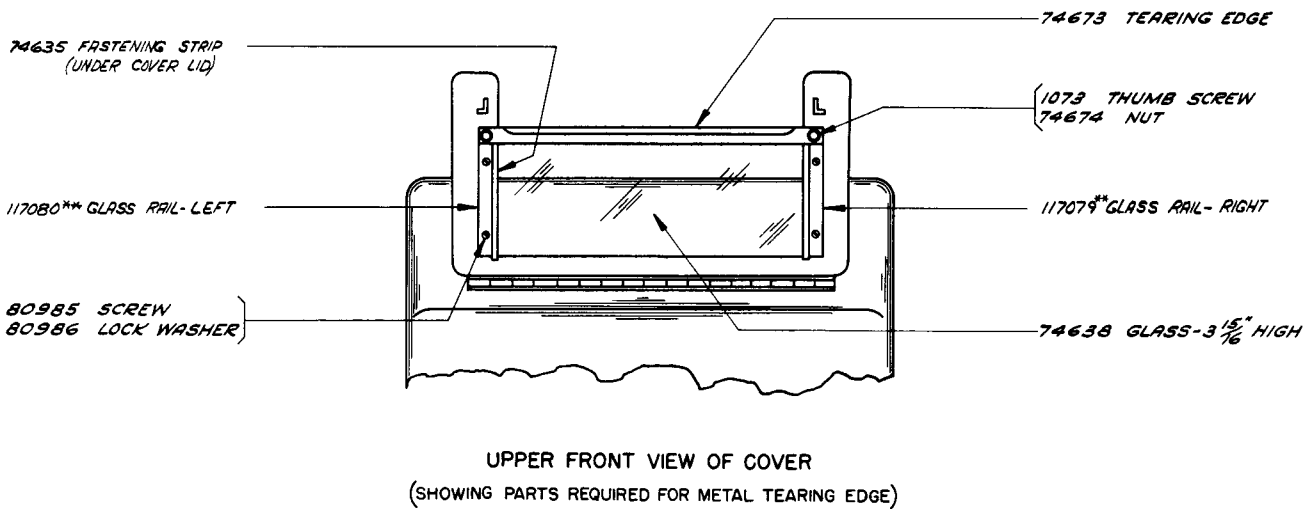
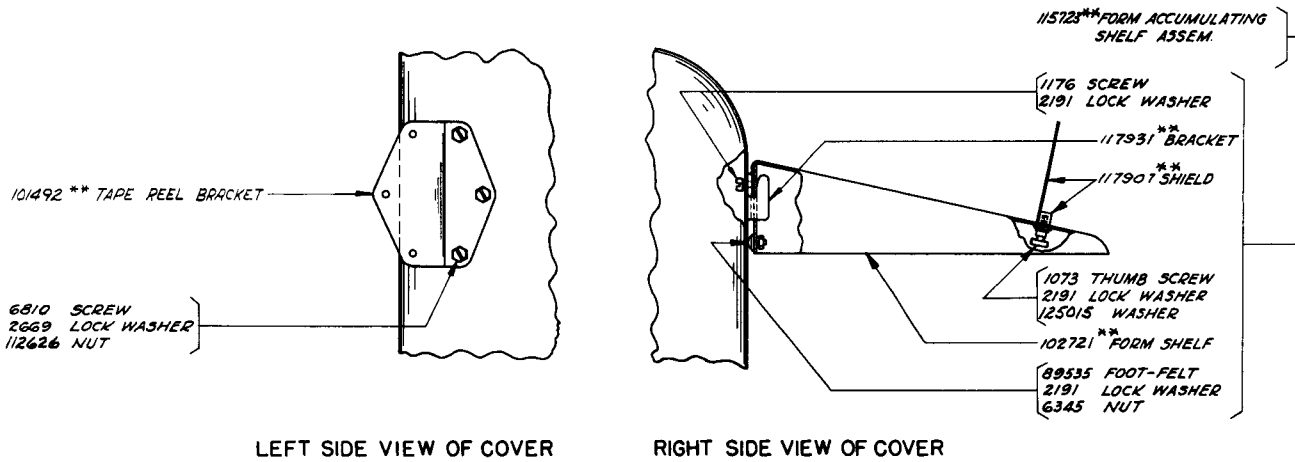
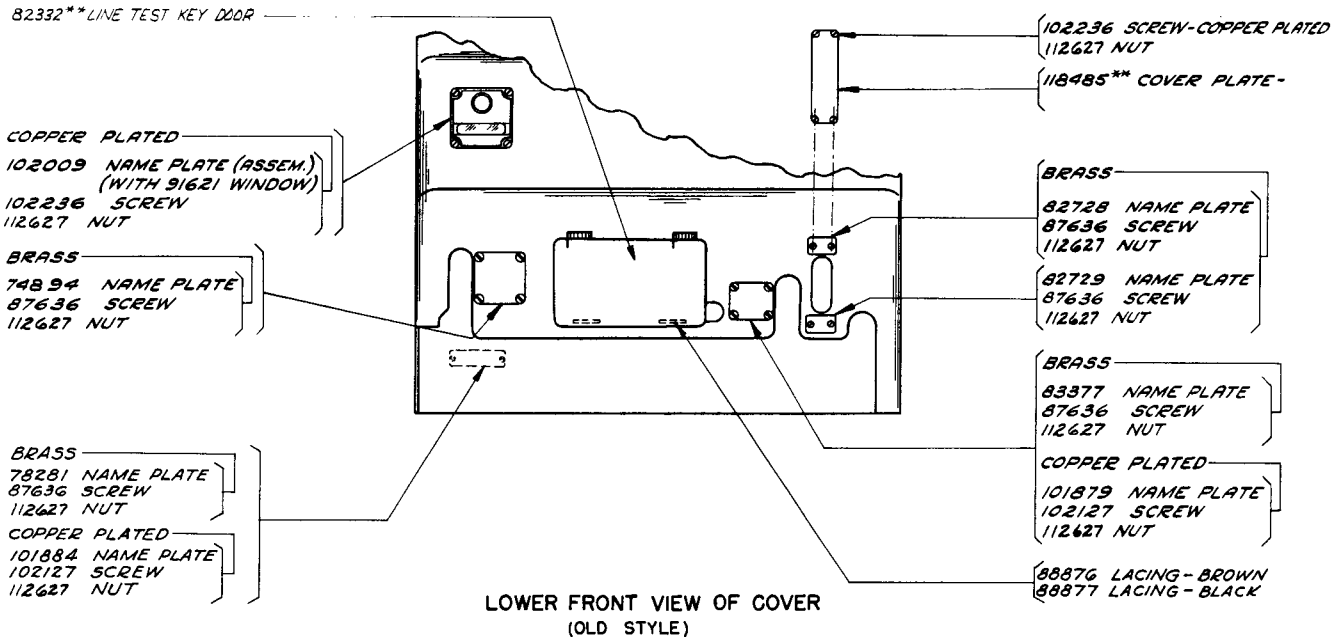


**SEE CHART ON PAGE D FOR FINISH SUFFIX.

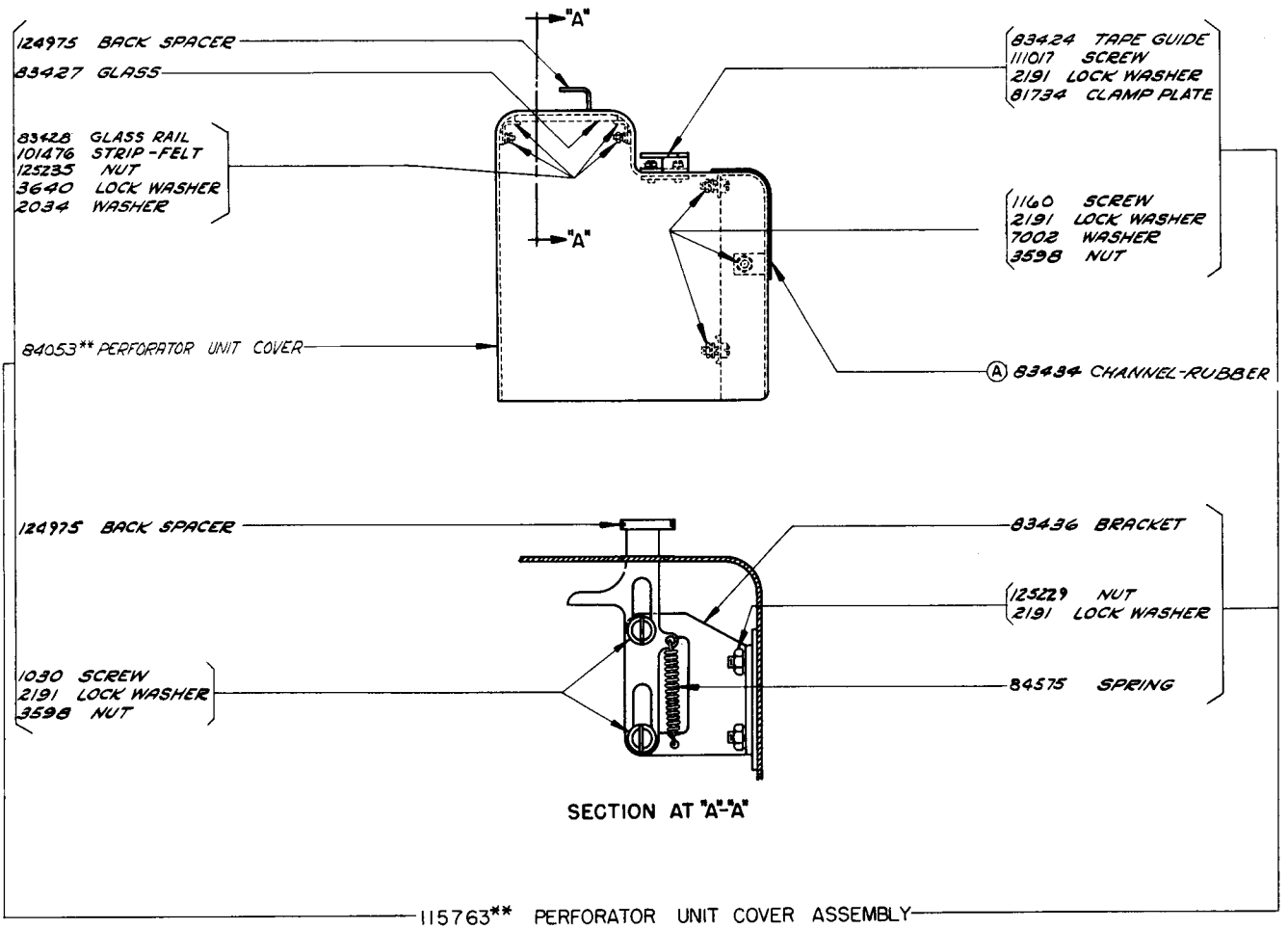


Ⓐ USED ON COVERS EQUIPPED WITH A RIGHT HAND OFFSET COPYHOLDER.

**SEE CHART ON PAGE D FOR FINISH SUFFIX.

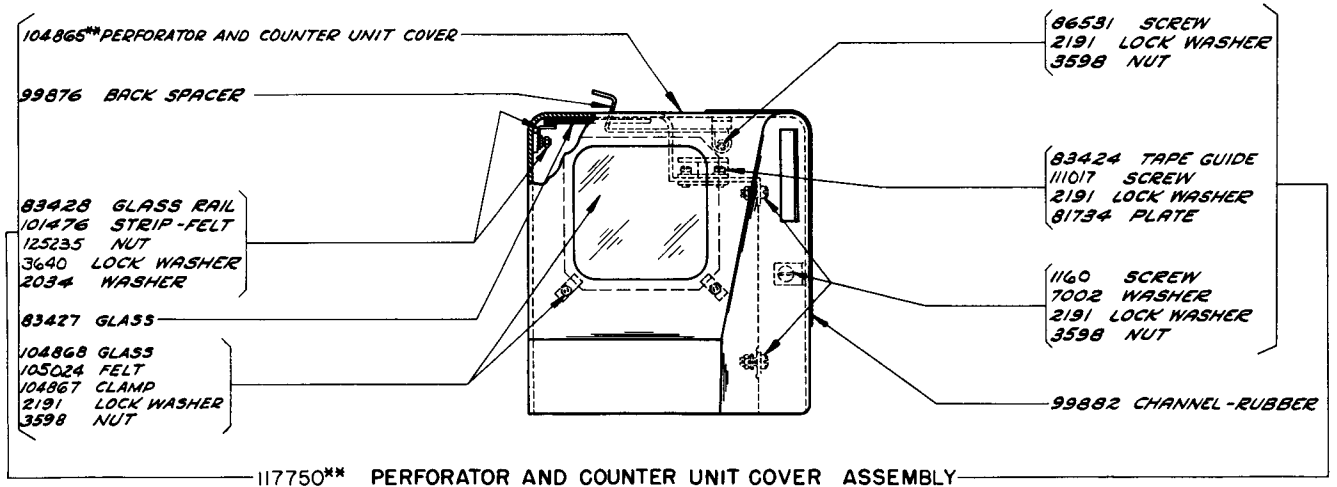


**SEE CHART ON PAGE D FOR FINISH SUFFIX.



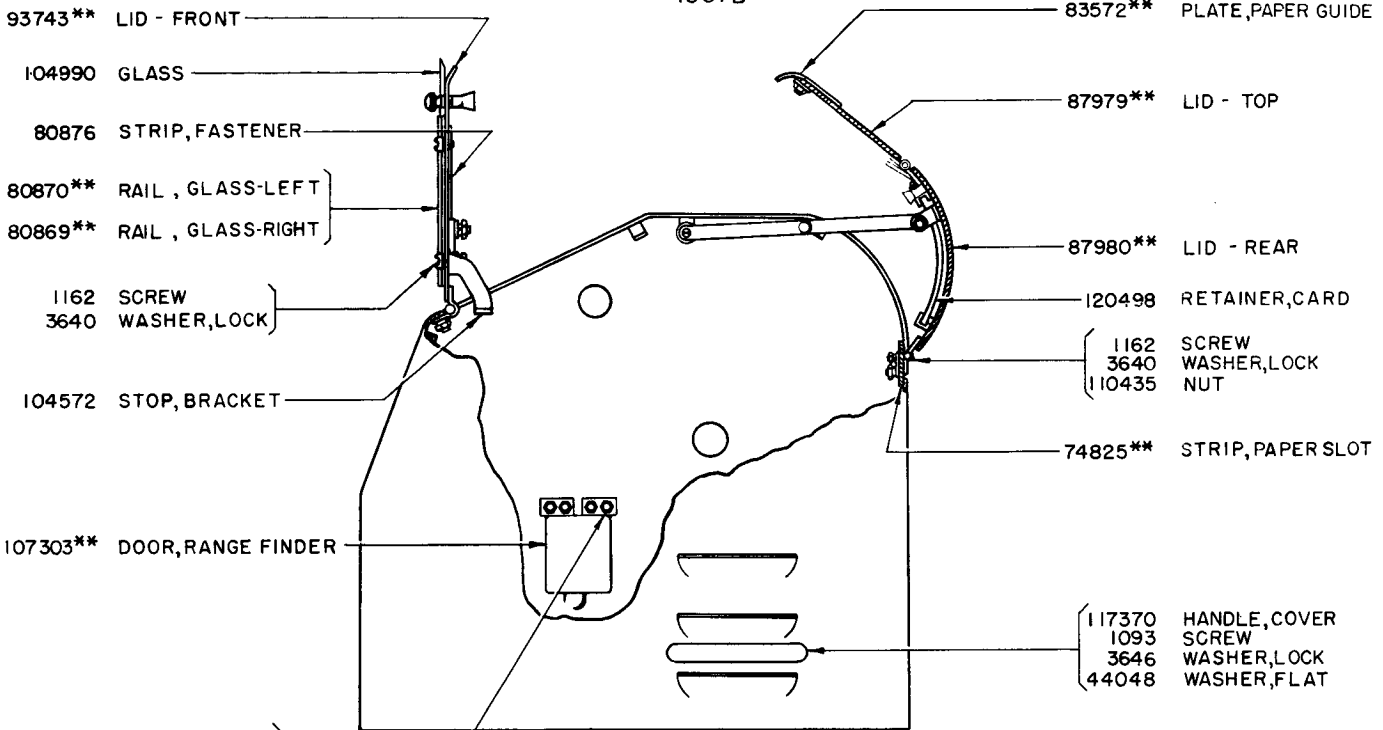
(A) NOT INCLUDED WITH 115763**

USED ONLY WHEN COUNTER UNIT IS MOUNTED ON RIGHT HAND SIDE

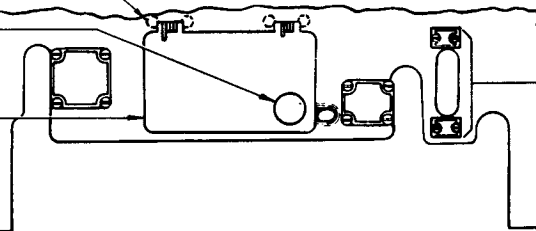


USED ONLY WHEN COUNTER UNIT IS MOUNTED ON LEFT HAND SIDE

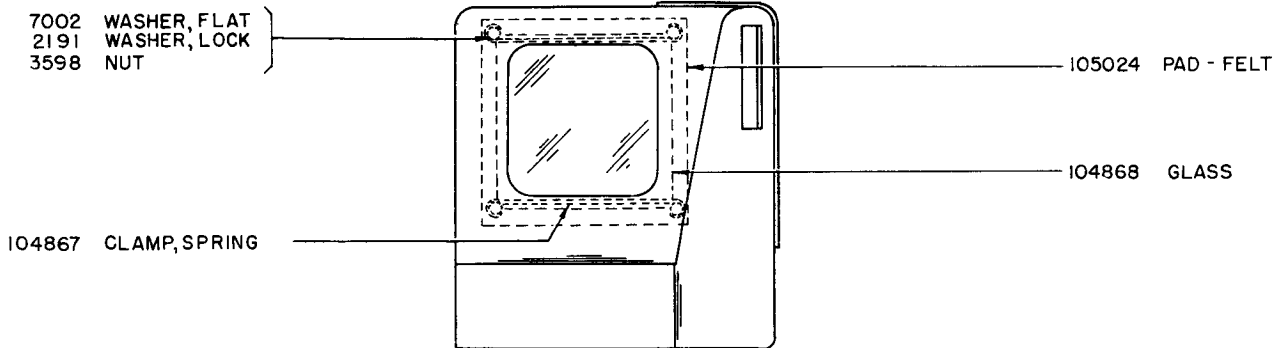
**SEE CHART ON PAGE D FOR FINISH SUFFIX.



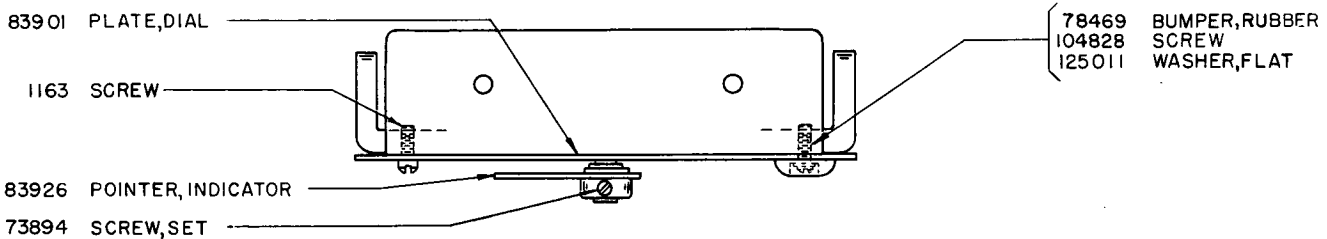
COVER (NEW STYLE)



LOWER FRONT VIEW OF COVER (NEW STYLE)
(SEE PAGE 22 FOR PARTS NOT CALLED OUT)



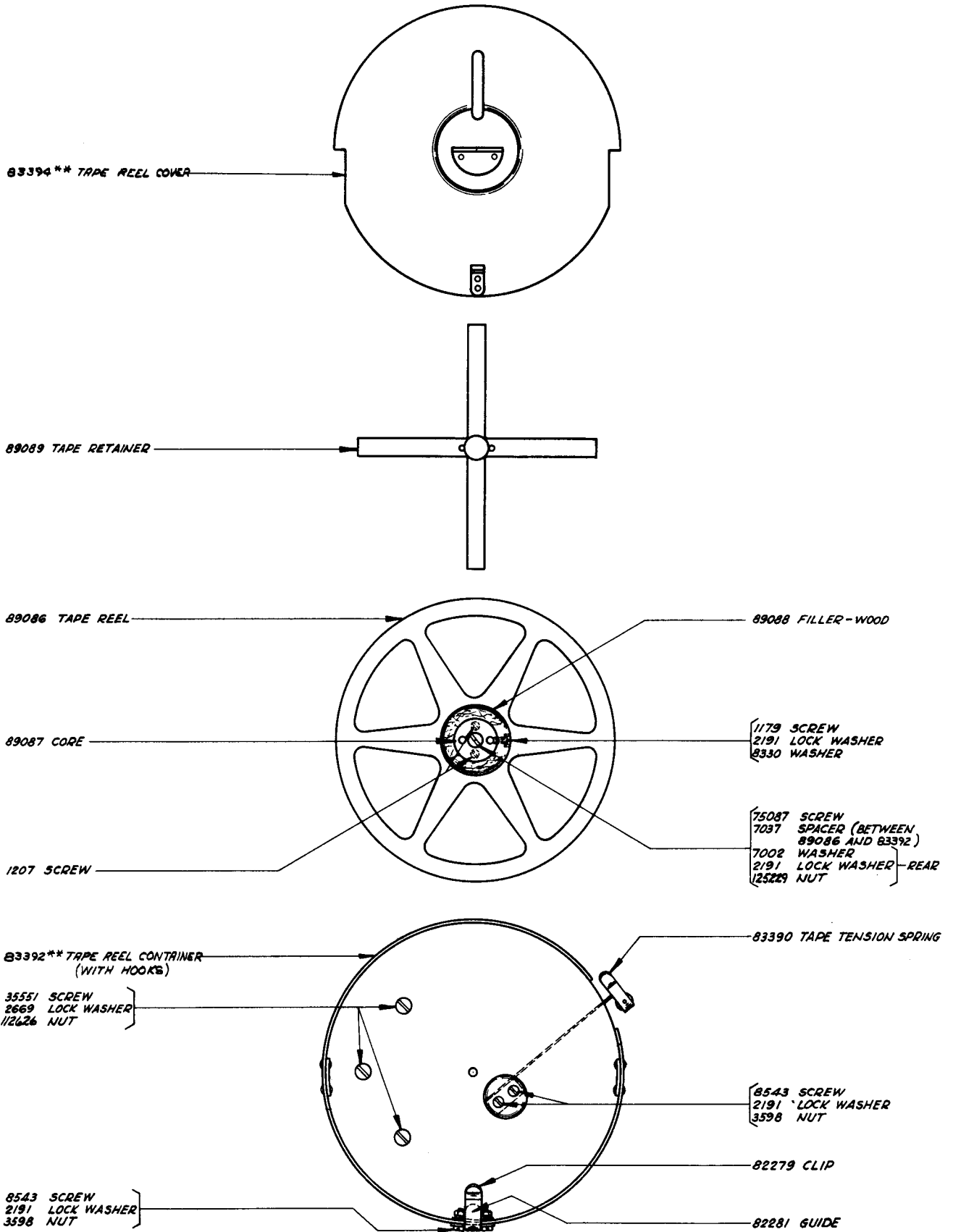
104865** PERFORATOR AND COUNTER UNIT COVER (NEW STYLE)
(SEE PAGE 23 FOR PARTS NOT CALLED OUT)



COUNTER UNIT

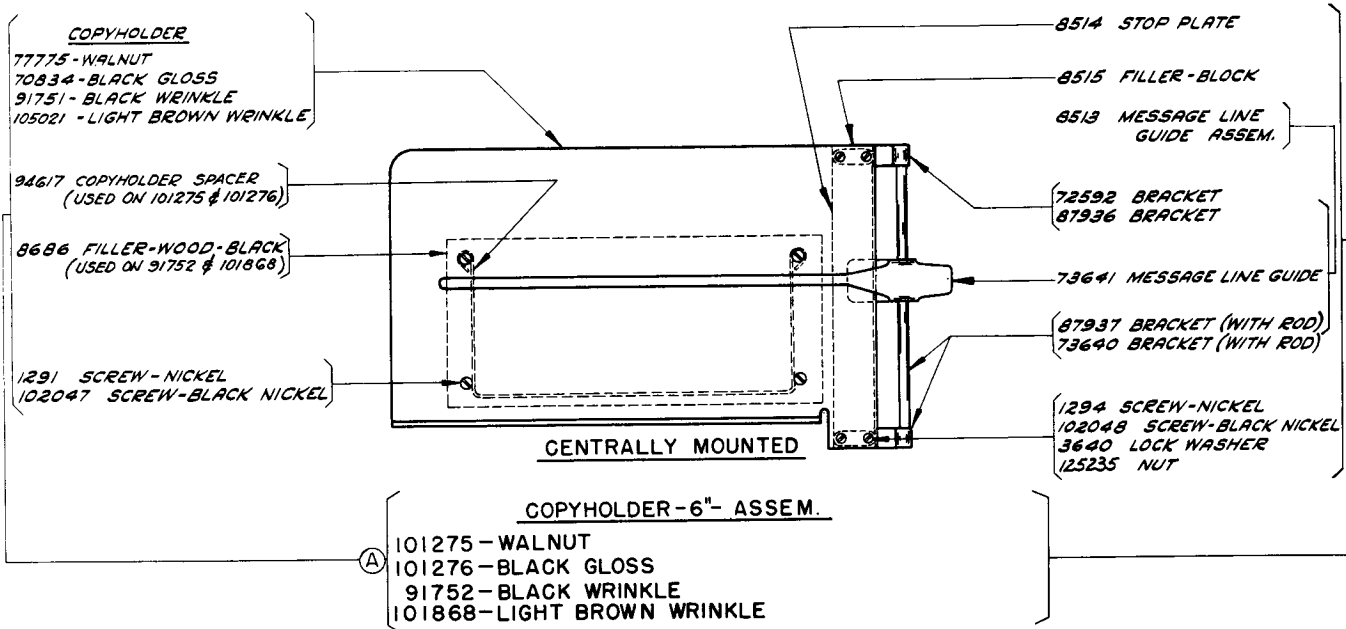
BOTTOM VIEW AS VIEWED FROM FRONT

**SEE CHART ON PAGE D FOR FINISH SUFFIX.



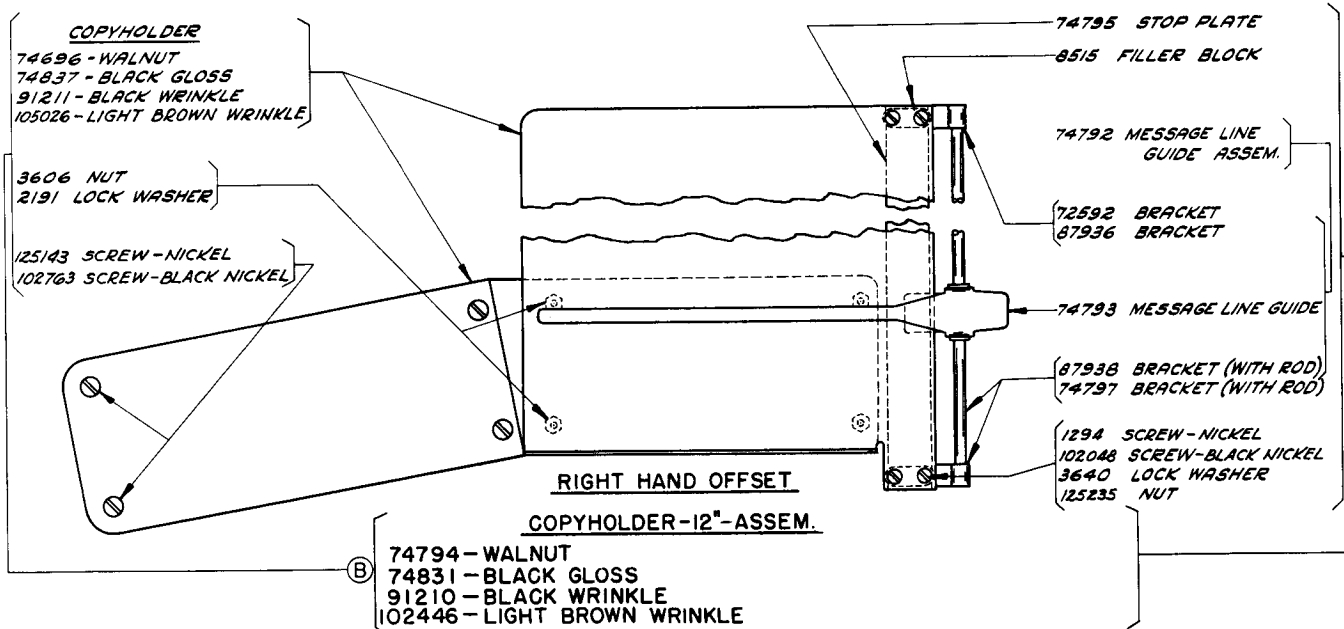
115726** TAPE REEL AND CONTAINER ASSEMBLY

**SEE CHART ON PAGE D FOR FINISH SUFFIX.



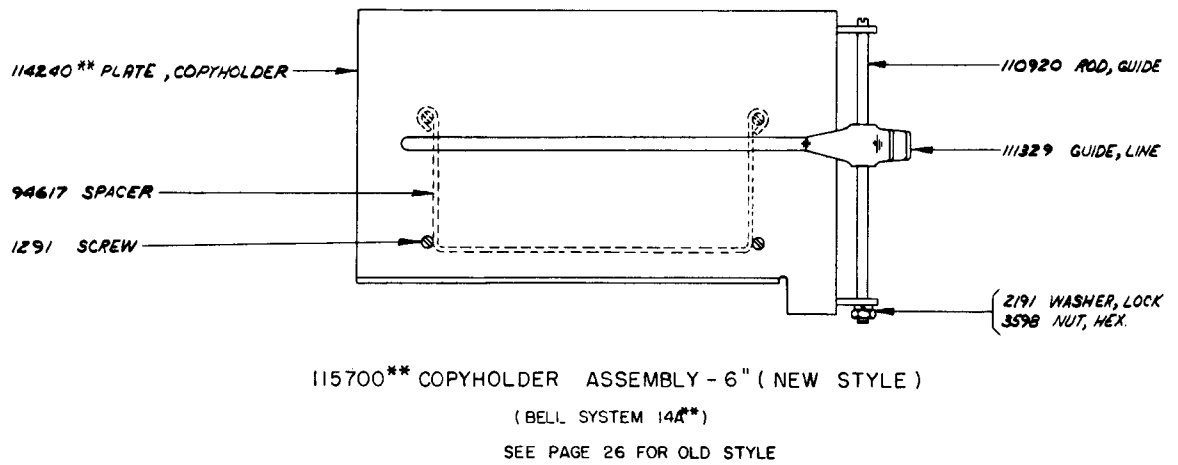
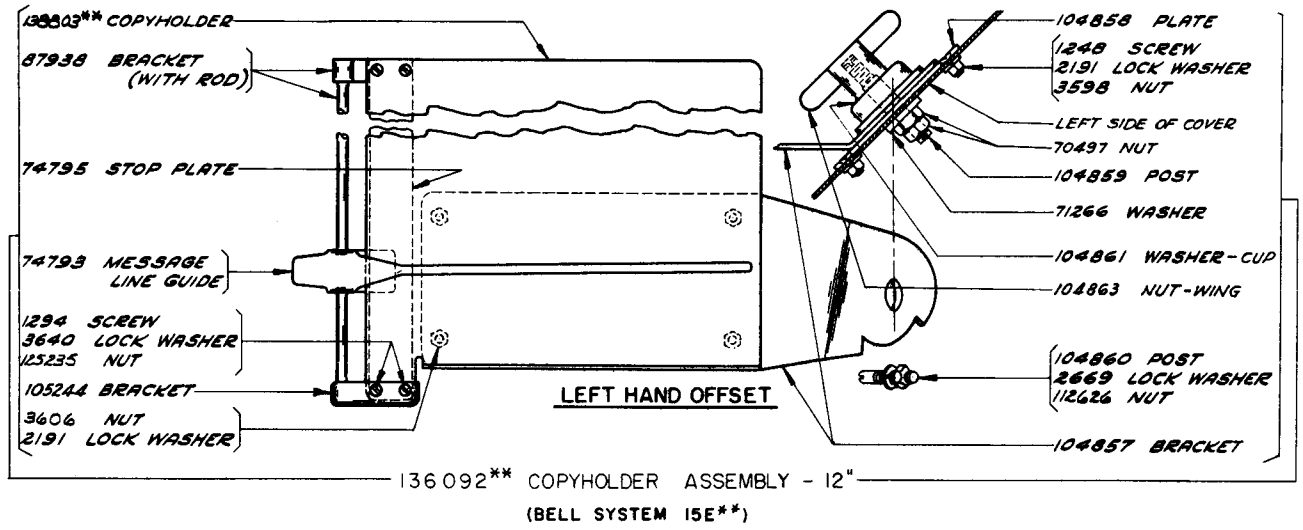
(OLD STYLE)

(A) **NO LONGER AVAILABLE:** THE OLD STYLE COPYHOLDER PLATE IS NO LONGER AVAILABLE. WHEN IT BECOMES NECESSARY TO REPLACE AN OLD STYLE COPYHOLDER PLATE, A NEW STYLE COPYHOLDER PLATE, SHOWN ON PAGE 27, ALONG WITH ONE 110920 ROD, ONE 2191 LOCK WASHER AND ONE 3598 NUT SHOULD BE ORDERED INSTEAD.

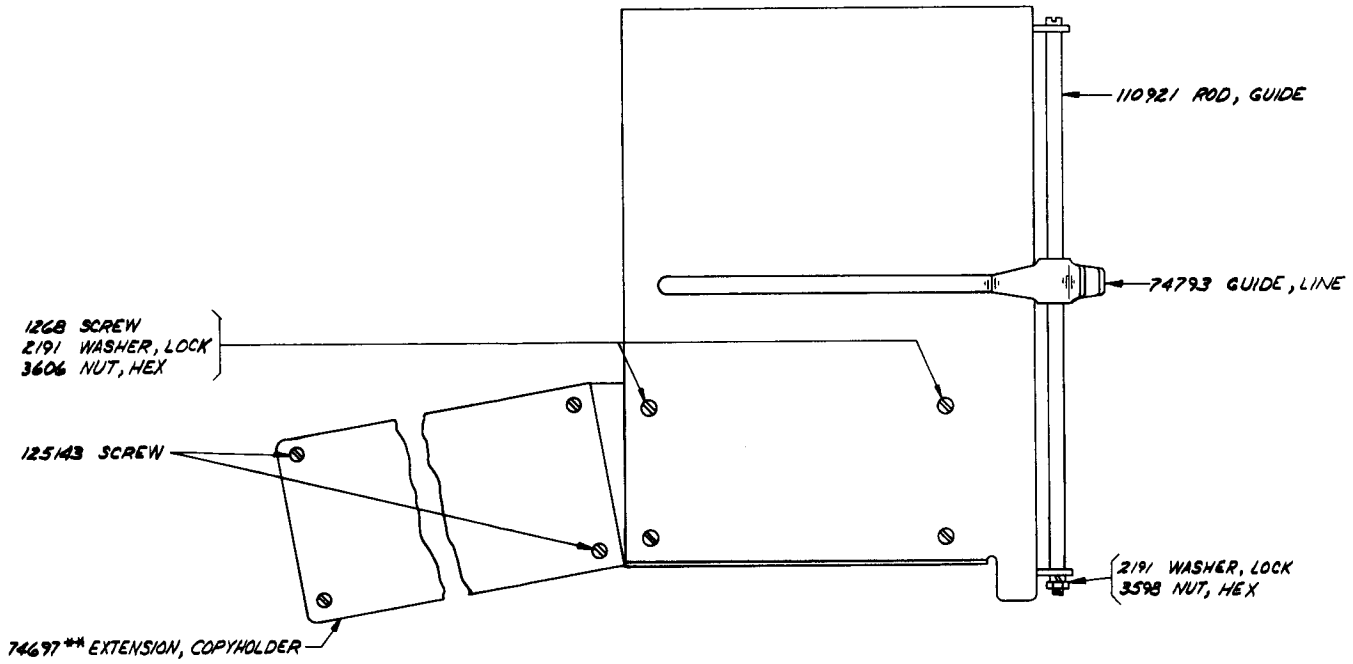


(OLD STYLE)

(B) **NO LONGER AVAILABLE:** THE OLD STYLE COPYHOLDER PLATE (WITH EXTENSION) IS NO LONGER AVAILABLE. WHEN IT BECOMES NECESSARY TO REPLACE AN OLD STYLE COPYHOLDER PLATE (WITH EXTENSION), A COMPLETE NEW STYLE 12" COPYHOLDER (WITH EXTENSION), SHOWN ON PAGE 27, SHOULD BE ORDERED INSTEAD.



**SEE CHART ON PAGE D FOR FINISH SUFFIX



115709** COPYHOLDER ASSEMBLY - 12" (NEW STYLE)
(BELL SYSTEM 15A**)
SEE PAGE 26 FOR OLD STYLE

**SEE CHART ON PAGE D FOR FINISH SUFFIX

KEYTOPS

KIND OF KEYTOPS	SPRING CUSHION			PNEUMATIC (NO LONGER AVAILABLE)			CELLULOID		
	78932	78936	82859	8176	72703	82500	88651	75851	86664
BELL SYSTEM ARRANGEMENTS	"A"	"B"	"C"	"A"	"B"	"C"	"A"	"B"	"C"

DESCRIPTION	COMPONENT PART NUMBERS			COMPONENT PART NUMBERS			COMPONENT PART NUMBERS		
	78946	78946	78946	3054	3054	3054	72031	72031	72031
A -	78946	78946	78946	3054	3054	3054	72031	72031	72031
B ?	78947			3055			72032		
B 5/8		78986	78986		72705	72705		75657	75657
C :	78948			3056			72033		
C 1/8		78984	78984		71995	71995		75655	75655
D \$	78949	78949	78949	3057	3057	3057	72034	72034	72034
E 3	78950	78950	78950	3058	3058	3058	72035	72035	72035
F !	78951			3059			72826		
F 1/4		78982	78982		71053	71053		75652	75652
G &	78952	78952	78952	3060	3060	3060	72037	72037	72037
H £	78953			3061			72038		
H #		78981			8255			75852	
H STOP			82607			82274			86630
I 8	78954	78954	78954	3062	3062	3062	72039	72039	72039
J '	78955	78955		3063	3063		72827	72827	
J ,			78993			75691			86631
K (78956			3064			72041		
K 1/2		78988	78988		72707	72707		75653	75653
L)	78957			3065			72042		
L 3/4		78983	78983		71057	71057		75654	75654
M .	78958	78958	78958	3066	3066	3066	72824	72824	72824
N ,	78959			3067			72830		
N 7/8		78987	78987		72706	72706		75658	75658
O 9	78960	78960	78960	3068	3068	3068	72045	72045	72045
P 0	78961	78961	78961	3069	3069	3069	72046	72046	72046
Q 1	78962	78962	78962	3070	3070	3070	72047	72047	72047
R 4	78963	78963	78963	3071	3071	3071	72048	72048	72048
S BELL	78980	78980	78980	8177	8177	8177	72825	72825	72825
T 5	78964	78964	78964	3073	3073	3073	72050	72050	72050
U 7	78965	78965	78965	3074	3074	3074	72051	72051	72051
V ;	78966			3075			72052		
V 3/8		78985	78985		72704	72704		75656	75656
W 2	78967	78967	78967	3076	3076	3076	72053	72053	72053
X /	78968	78968	78968	3077	3077	3077	72054	72054	72054
Y 6	78969	78969	78969	3078	3078	3078	72055	72055	72055
Z "	78970	78970	78970	3079	3079	3079	72056	72056	72056
LTRS	78973	78973	78973	3082	3082	3082	72058	72058	72058
FIGS	78972	78972	78972	3081	3081	3081	72057	72057	72057
CAR RET	78976	78976	78976	3573	3573	3573	73151	73151	73151
LINE FEED	78978	78978	78978	3578	3578	3578	73152	73152	73152
BLANK	78971	78971	78971	3080	3080	3080	72061	72061	72061

(A) WHEN REPLACING A CELLULOID KEYTOP, IT IS NECESSARY TO REMOVE THE 55080 BEZEL (SEE PAGE 1), WHICH IN MANY CASES BECOMES DAMAGED. IT IS, THEREFORE, RECOMMENDED THAT FOR EACH CELLULOID KEYTOP ORDERED, A 55080 BEZEL SHOULD ALSO BE ORDERED.

NOTE: SEE BULLETIN 1164B FOR ADDITIONAL KEYTOPS.

CABLES

Part Number	Description	Wiring Diagram Number
83443	COUNTER (MOUNTED ON RIGHT)	W.D. - 1424, 1513, 1616, 1627, 1711, 1779, 1782, 2392
83895	RESISTOR (RESISTANCE CABLE FOR 110 VOLT OPERATION)	W.D. - 1424, 1616, 1627, 1782, 1986, 1995, 2143, 2269, 2336, 2377, 2392, 2422
84527	KEYBOARD (WITH BREAK KEY)	W.D. - 1616, 1782, 2392
84554	(WITH COUNTER CONTROL PERFORATOR CONTACTS MOUNTED ON PERFORATOR UNIT)	W.D. - 1424, 1513, 1616
87385	RESISTOR STRAP (220 VOLT OPERATION)	W.D. - 1513, 1779
87386	COUNTER RESISTOR (220 VOLT OPERATION)	W.D. - 1513, 1779
91576	(WITH COUNTER CONTROL PERFORATOR CONTACTS MOUNTED ON PERFORATOR UNIT)	W.D. - 1627, 1711, 1779, 1782
99881	PERFORATOR AND COUNTER (MOUNTED ON LEFT)	W.D. - 1995, 2696
104936	KEYBOARD (WITH LINE TEST KEY)	W.D. - 1424, 1513, 1627, 1711, 1779, 1986, 1995, 2143, 2336, 2377, 2696



120451 IDENTIFICATION PLATE (BELL SYSTEM)

Use two 93597 screws to secure the plate.

MODIFICATION KITS FOR THE MODEL 15 PERFORATOR TRANSMITTER

86192 set of parts for converting Bell System keytop arrangement "C" to "B" (for use on 15-B perforator transmitter) consists of the following parts:

78955	Spring Cushion Keytop (J ')	1
78971	Spring Cushion Keytop (Blank)	1
78981	Spring Cushion Keytop (H #)	1
91290	Name Plate (15-B Keyboard)	1

86193 set of parts for converting Bell System keytop arrangement "C" to "A" (for use on 15-A perforator transmitter) consists of the following parts:

78947	Spring Cushion Keytop (B ?)	1
78948	Spring Cushion Keytop (C :)	1
78951	Spring Cushion Keytop (F !)	1
78953	Spring Cushion Keytop (H)	1
78955	Spring Cushion Keytop (J ')	1
78956	Spring Cushion Keytop (K ()	1
78957	Spring Cushion Keytop (L))	1
78959	Spring Cushion Keytop (N ,)	1
78966	Spring Cushion Keytop (V ;)	1
78971	Spring Cushion Keytop (Blank)	1
91289	Name Plate (15-A Keyboard)	1

89069 set of parts, to hold universal bar depressed, consists of the following parts:
(Refer to Spec. 50885 for installation instructions)

89073	Extension	1
80444	Screw	1
2191	Lock Washer	1
89070	Cutout Lever	1
89071	Bushing	1
7002	Washer	1
1026	Screw	1
89074	Stud-Eccentric	1
2191	Lock Washer	1
3598	Nut	1
89072	Spring	1
1163	Screw	1
3640	Lock Washer	1

91624 set of parts, to apply improved counter control mechanism, consists of the following parts:
(Refer to Spec. 50885 for installation instructions)

91540	Counter Control Unit	1
74986	Screw	2
7002	Washer	2
2191	Lock Washer	2
91565	Shims	24
91571	Counter Control Contacts Assem.	1
7002	Washer	2
2191	Lock Washer	2
1038	Screw	2
91575	Cover	1
125011	Washer	2
3640	Lock Washer	2
110435	Nut	2
85376	Key Lever Spring	4
91554	Universal Bar	1
91576	Cable	1
75646	Drive Screw	4

MODIFICATION KITS (Continued)

91625 set of parts to apply lower punch operating contacts and adjustable key pressure mechanism, consists of the following parts:

(Refer to Spec. 5088S for installation instructions)

91550	Contact Operating Lever	1
91570	Punch Contact Assem.	1
91564	Armature	1
91543	Bracket	1
81564	Adjusting Screw	1
3598	Nut	1
2191	Lock Washer	1
91544	Spring Adjusting Lever	1
91548	Bushing	1
85976	Spacer	1
1269	Screw	1
3598	Nut	1
2191	Lock Washer	1
91545	Extension	1
8543	Screw	1
7002	Washer	1
2191	Lock Washer	1
91577	Spring	1
91547	Bracket	1
91546	Adjusting Screw	1
1169	Screw	1
3598	Nut	1
1161	Screw	2
2191	Lock Washer	2

91626 set of parts to apply two-piece armature lever and follow-through feature, consists of the following parts:

(Refer to Spec. 5088S for installation instructions)

89498	Armature Lever	1
89499	Selector Finger Guide	1
8543	Screw	4
2191	Lock Washer	4
89500	Punch - Small	1
83362	Bearing Bracket	1
91558	Selector Lever Guide	1
1159	Screw	2
125011	Washer	2
3640	Lock Washer	2
91559	Feed Punch Selector Lever	1
84592	Shims	5
83923	Bracket	1

91627 set of parts to apply space mechanism with centrally located spacer key lever, consists of the following parts:

(Refer to Spec. 5088S for installation instructions)

88995	Post	2
7002	Washer	2
89493	Spacer Bar Loop	1
89496	Shaft	1
6746	Screw	2
2191	Lock Washer	2
91003	Repeat Space Extension	1
80402	Screw	2
3640	Lock Washer	2
78075	Screw	2

MODIFICATION KITS (Continued)

(91627 continued)	2191	Lock Washer	2
	89495	Spacer Bar - Short	1
	89494	Spacer Key Lever	1
	89330	Key Lever Spring - Spacer	1
	83314	Selector Bar A-1	1
	83315	Selector Bar A-2	1
	83316	Selector Bar B-1	1
	83317	Selector Bar B-2	1
	83318	Selector Bar C-1	1
	83319	Selector Bar C-2	1
	83320	Selector Bar D-1	1
	83321	Selector Bar D-2	1
	83322	Selector Bar E-1	1
	83323	Selector Bar E-2	1
	83324	Selector Bar G-2	1

91631 set of parts, to apply long spacer bar to perforator transmitters equipped with space mechanism having centrally located spacer key lever, consists of the following parts:
(Refer to Spec. 50885 for installation instructions)

91001	Key Lever Spring - Spacer	1
91002	Spacer Bar - Long	1

92167 set of parts for converting Bell System keytop arrangement "C" to "B" (for use on 15-E perforator transmitter) consists of the following parts:

78955	Spring Cushion Keytop (J ')	1
78971	Spring Cushion Keytop (Blank)	1
78981	Spring Cushion Keytop (H #)	1
92165	Name Plate (15-E Perforator Transmitter)	1

92168 set of parts for converting Bell System keytop arrangement "C" to "A" (for use on 15-D perforator transmitter) consists of the following parts:

78947	Spring Cushion Keytop (B ?)	1
78948	Spring Cushion Keytop (C :)	1
78951	Spring Cushion Keytop (F l)	1
78953	Spring Cushion Keytop (H)	1
78955	Spring Cushion Keytop (J ')	1
78956	Spring Cushion Keytop (K (1
78957	Spring Cushion Keytop (L))	1
78959	Spring Cushion Keytop (N ,)	1
78966	Spring Cushion Keytop (V ;)	1
78971	Spring Cushion Keytop (Blank)	1
92164	Name Plate (15-D Perforator Transmitter)	1

92231 set of spring cushion keytops - same as 82859 set of spring cushion keytops (see page 29) except does not include 78971 "blank" keytop.

92828 set of parts, to apply adjustable feed punch selector lever and selector lever guide, consists of the following parts:

(Refer to Spec. 5143S for installation instructions)

83362	Bearing Bracket	1
91559	Feed Punch Selector Lever	1
1162	Screw	1
3640	Lock Washer	1
84592	Shims	10
91558	Selector Lever Guide	1

MODIFICATION KITS (Continued)

(92828 continued)	1159	Screw	2
	3640	Lock Washer	2
	125011	Washer	2
	83923	Bracket	1

92996 electric impulse counter assem. - with accessories (walnut), consists of the following parts:

83437	Counter Mechanism Assem.	1
83901	Dial Plate	1
1163	Screw	4
83926	Indicator	1
73894	Screw	2
83357	Counter Bracket	1
81769	Pad - Felt	1
81770	Bracket - Left	1
81771	Bracket - Right	1
6390	Screw	4
2191	Lock Washer	4
81772	Bushing - Rubber	2
1012	Screw	2
125012	Lamp Socket	1
83441	Nipple	1
125404	Lamp - Red (110 Volt)	1
83378	Shield	1
8543	Screw	2
7002	Washer	2
2191	Lock Washer	2
83438	Counter Cover Assem.	1
1169	Screw	2
2191	Lock Washer	2
83375	Counter Casting	1
1223	Screw	2
3438	Washer	2
2382	Lock Washer	2
83443	Cable	1
83442	Cable Clamp - Long	1
89354	Strap	1
1268	Screw	2
1245	Screw	2
2382	Lock Washer	2

94494 set of parts to reduce friction of the repeat space rod cutout, consists of the following parts:
(Refer to Spec. 5175S for installation instructions)

94086	Spacing Rod Bracket	1
125139	Screw	1
94087	Extension	1
94088	Spacing Rod	1

99037 set of parts to provide improved operating margins for the punch unit, consists of the following parts:

(Refer to Spec. 5172S for installation instructions)

97635	Armature Lever	1
97641	Armature	1
84082	Screw	2
97632	Bracket	1
8543	Screw	2
2191	Lock Washer	2
97639	Spring Post	1
73946	Thumb Nut	1

MODIFICATION KITS (Continued)

(99037 continued)	3598	Nut	1
	74700	Spring	1
	97633	Feed Pawl Lever	1
	1215	Screw	1
	3598	Nut	1
	2191	Lock Washer	1
	97634	Feed Pawl	1
	97637	Eccentric	1
	86774	Screw	1
	97631	Adjusting Bracket	1
	7001	Washer	1
	98722	Screw	1
	3640	Lock Washer	1
	3599	Nut	1
	1179	Screw	1
	97638	Guide	1
	8543	Screw	2
	7002	Washer	2
	2191	Lock Washer	2
	99985	Tape Stripper Plate	1
	97643	Backspace Lever	1
	97640	Spring Post	1
	45104	Spring	1
	97642	Leather Bumper	1
	1028	Screw	1
	90951	Lock Washer	1
	99987	Retaining Bracket	1
	1159	Screw	2
	3640	Lock Washer	2
	125011	Washer	2
	85936	Post	1
	8543	Screw	1
	2191	Lock Washer	1
	7002	Washer	1
	103531	Insulator	1
	103511	Screw	1
	70314	Washer	2
	78469	Foot-Rubber	1
	1169	Screw	1

99879 set of parts to convert a type C-123 cover to a type C-136 cover for use when a type PEX-20 perforator transmitter.

(Refer to Spec. 5282S for installation instructions)

99873	Cover	1
99882	Channel-Rubber	1

99880 set of parts to convert a type PEX-14 perforator transmitter to a type PEX-20.

(Refer to Spec. 5271S for installation instructions)

97635	Armature Lever	1
97641	Armature Assem.	1
84082	Screw	2
97632	Bracket	1
8543	Screw	2
2191	Lock Washer	2
97639	Spring Post	1
73946	Thumb Nut	1
3598	Nut	1
74700	Spring	1
97633	Feed Pawl Lever	1

MODIFICATION KITS (Continued)

(99880 continued)

1215	Shoulder	1
3598	Nut	1
2191	Lock Washer	1
97634	Feed Pawl	1
97637	Feed Pawl Eccentric	1
86774	Screw	1
97631	Feed Pawl Adjusting Bracket	1
7001	Washer	1
1206	Screw	1
3640	Lock Washer	1
3599	Nut	1
1179	Screw	1
97638	Feed Pawl Guide	1
8543	Screw	2
7002	Washer	2
2191	Lock Washer	2
99985	Tape Stripper Plate	1
97643	Backspace Lever	1
97640	Shoulder Screw Spring Post	1
45104	Spring	1
97642	Leather Bumper (Thin)	1
1028	Screw	1
90951	Lock Washer	1
99871	Counter Bracket	1
6811	Screw	2
2191	Lock Washer	2
90421	Spacer	2
99872	Counter Lamp Bracket	1
80444	Screw	2
2191	Lock Washer	2
6810	Screw	2
2669	Lock Washer	2
99878	Clamp Bushing	2
99881	Cable Comp.	1
94248	Cable Clamp	1
92204	Cable Clamp	1
1187	Screw	1
2669	Lock Washer	1
99987	Retainer Bracket	1
1159	Screw	2
3640	Lock Washer	2
125011	Washer	2
99988	Connecting Link Extension Assem.	1
99989	Connecting Link Extension Assem.	1
125215	Screw	2
90951	Lock Washer	2
55005-C	Washer	2
94086	Bracket Assem.	1
125139	Screw	1
94087	Repeat Space Cutout Extension	1
94088	Repeat Space Rod	1
103386	Terminal Guard	1
46042	Spacer	1
1168	Screw	1
1163	Screw	2
3640	Lock Washer	3

MODIFICATION KITS (Continued)

102896 set of parts to equip a perforator transmitter with positive action perforating feature, consists of the following parts:

(Refer to Spec. 51345 for installation instructions)

102883	Punch Contact and Latch Assem.	1
102890	Armature	1
102892	Screw - Adjusting	2
3606	Nut	2
2191	Lock Washer	2
102893	Spring Plate	1
7614	Spring	1
102894	Spring Plate	1
110437	Spring	1
102895	Operating Lever	1
2623	Spring	1
99988	Link Extension Assem.	1
99989	Link Extension Assem.	1
125215	Screw	2
55005-C	Washer	2
90951	Lock Washer	2
102244	Name Plate (15-J Perforator Transmitter)	1
102245	Name Plate (15-K Perforator Transmitter)	1
102246	Name Plate (15-L Perforator Transmitter)	1

112008 set of parts to provide rapid feed-out of tape on Perforator-Transmitter (Refer to Spec. 55405 for installation instructions)

125124	Screw (4-40 shoulder)	1
110435	Nut	1
1025	Stud, Eccentric	1
1026	Screw (6-40 x 9/32 Fil)	2
1051	Screw (4-40 x 1/2 Fil)	1
1176	Screw (6-40 x 3/16 Fil)	1
2191	Washer, Lock	4
3598	Nut	1
3599	Nut	1
3606	Nut	2
3640	Washer, Lock	2
2605	Spring	1
13681	Spacer	1
76692	Screw (6-40 Shoulder)	1
80342	Screw (6-40 x 23/64 Hex)	2
82249	Shim	7
85932	Keytop	1
86079	Washer, Felt	2
97393	Screw (6-40 Shoulder)	1
100106	Screw (4-40 Shoulder, Eccentric)	1
109152	Screw (4-40 x 11/64 Fil)	1
112009	Bracket	1
112011	Extension, Keylever	1
112012	Keylever Assembly including: 72539 Disc	1
112069	Cable	1
112105	Guard, Contact	1
112106	Spacer	1
112108	Bracket	1
112116	Lever, Detent	1
112117	Lever	1

MODIFICATION KITS (Continued)

112118	Plate	1	
112503	Contact Assembly Consisting of:	1	
	1051 Screw (4-40 x 1/2 Fil)		2
	41732 Plate		1
	41733 Insulator, Bakelite		3
	81726 Terminal		2
	82547 Insulator, Bakelite		1
	86955 Spring Assembly, Contact (short)		1
	86959 Bushing, Bakelite		2
	112010 Bracket		1
	112505 Spring Assembly, Contact (long)		1
112504	Contact Assembly consisting of:	1	
	1051 Screw		2
	41732 Plate		1
	41733 Insulator, Bakelite		4
	76790 Bushing, Bakelite		2
	80334 Terminal		2
	100419 Stiffener		1
	112013 Bracket		1
	112111 Spring Assembly, Contact (long)		1
	112112 Spring Assembly, Contact (short)		1

112570 set of parts to provide a cam pulsing contact assembly on perforator transmitter keyboards for 100 w.p.m. operation.

(Refer to Spec. 5555S for installation instructions)

84911	Contact Bracket	1	
112578	Backstop Plate	1	
1162	Screw	2	
3640	Lock Washer	2	
81564	Screw	1	
2191	Lock Washer	1	
3606	Nut	1	
41732	Plate	1	
41733	Insulator	3	
80334	Terminal	2	
112572	Contact Spring-with points	1	
105940	Contact Stiffener	2	
112571	Contact Spring	1	
112128	Cam Follower Retainer	1	
112129	Cam Follower	1	
112127	Cam Follower Hinge	1	
82547	Insulator	1	
82444	Bushing-Bakelite	2	
74952	Screw	2	

112595 set of parts to provide operation of perforator transmitters at 100 w.p.m. (7.42 unit transmission)

(Refer to Spec. 5510S for installation instructions)

111731	Cam Sleeve Assembly	1	
112588	Contact Mounting Assembly	1	
112498	Screw	2	
112570	Cam Pulsing Contact Assembly	1	

122264 set of parts to provide a repeat-character feature for the Model 15 perforator transmitter.

(Refer to Spec. 5678S for installation instructions)

122266	Lever, Repeat	1	
122267	Bracket, Repeat Lever	1	
122268	Extension, Repeat Lever	1	

MODIFICATION KITS (Continued)

122269	Extension, Repeat Space	1
122265	Nut	1
2191	Washer, Lock	3
6345	Nut	1
8543	Screw	2
74986	Screw	2
75087	Screw, Shoulder	1
123594	Spring, Torsion	1

136141 set of parts to equip a Model 19 set with fan fold tape container.
(Refer to Spec. 5903S for installation instructions)

2191	Lock Washer	2
3598	Nut	2
139760	Spacing Block	1
139762	Tape Tension Spring	1
139763**	Front Plate	1
139764**	Tape Container	1
151637	Screw	4
151657	Screw	2

136128 set of parts to equip a Model 15 perforator transmitter for blinding selector magnets.
(Refer to Spec. 5874S for installation instructions)

1050	Screw (6-40 x 7/32)	2
1162	Screw (4-40 x 1/4)	2
2191	Lock Washer	2
3599	Nut	4
3640	Lock Washer	4
27425	Screw (2-56 x 5/32)	2
90791	Lock Washer	2
93112	Screw (4-40 x 7/8)	2
98869	Spacer	2
104691	Contact Assembly	1
104692	Contact Operating Arm	1
104693	Lock Loop	1
104694	Receptacle and Cable Assembly	1
104695	Receptacle Bracket	1
104802	Adapter Bracket	1

NUMERICAL INDEX

Part Number	Description and Page Number	Part Number	Description and Page Number
191M	Magnet - 19 Ohms 12	2836	Spring 11
194M	Magnet - 500 Ohms 19	2922	Nut (3/16-24 Square) 4
200M	Magnet - 76 Ohms 12	3438	Washer 6, 9, 12, 14, 18, 20, 21, 34
1012	Screw (6-40 Shoulder) 20, 34	3595	Nut (1/4-32 Hex) 18
1025	Stud 37	3598	Nut (6-40 Hex) 1, 4, 7, 12, 13, 14, 15, 21, 23, 24, 25, 27, 28, 31, 32, 34, 35, 36, 37, 39
1026	Screw (6-40 x 3/8) 7, 11, 13, 15, 16, 31, 37	3599	Nut (4-40 Hex) 3, 7, 11 to 16, 19, 34, 35, 36, 37, 39
1028	Screw (4-40 x 1/4) 12, 13, 14, 16, 18, 35, 36	3604	Nut (5/32-40 Hex) 12, 14
1030	Screw (6-40 Shoulder) 21, 23,	3606	Nut (6-40 Hex), 1, 3, 16, 26, 27, 28, 36, 37, 38
1038	Screw (6-40 x 9/32) 1, 2, 4, 9, 31	3639	Lock Washer 4, 20
1046	Screw (6-40 Shoulder) 19	3640	Lock Washer, 1, 3, 7, 9 to 16, 18, 19, 21, 23, 24, 26, 27, 31 to 39
1050	Screw (4-40 x 1/2) 16, 39	3646	Lock Washer 6, 18, 24
1051	Screw (4-40 x 1/2) 19, 37, 38	3650	Washer - Brass 13, 16,
1072	Screw (6-40 Thumb) 21	3778	Resistor - 20 Ohms 3
1073	Screw (6-40 Thumb) 22	4810	Oil Wick - Felt 7, 16
1093	Screw (8-32 x 7/16) 24	4881	Siffener 7
1159	Screw (4-40 x 3/8) 12, 14, 15, 32, 34, 35	5475	Nut (3/16-40 Hex) 19
1160	Screw (6-40 x 5/16) 12, 14, 16, 19, 23	5740	Screw (2-56 x 1/4) 11, 17,
1161	Screw (6-40 x 1/4) 12, 13, 14, 15, 19, 32	6345	Nut (6-32 Hex) 22, 37, 39
1162	Screw (4-40 x 1/4) 10, 11, 12, 14, 19, 21, 24, 33, 38, 39	6390	Screw (6-40 x 3/16) 20, 33, 34
1163	Screw (4-40 x 3/16) 1, 7, 9, 19, 20, 24, 31, 34, 36	6746	Screw (6-40 x 5/16) 1, 2, 3, 4, 6, 7, 9, 10, 11, 32
1168	Screw (4-40 x 5/16) 18, 19, 36	6805	Screw (6-40 Shoulder) 7
1169	Screw (6-40 x 7/16) 1, 9, 11, 12, 13, 14, 15, 16, 20, 32, 34, 35	6807	Screw (6-40 x 3/16 Set) 3, 12, 14
1174	Screw (4-40 Shoulder) 11, 12, 14	6810	Screw (10-32 x 3/8) 20, 22, 35, 36
1176	Screw (6-40 x 3/16) 10, 22, 37	6811	Screw (6-40 x 5/8) 7, 12, 14, 20, 35, 36
1179	Screw (6-40 x 5/8) 15, 25, 35, 36	6814	Screw (6-40 Pilot) 6, 7
1187	Screw (10-32 x 1/4) 1, 3, 4, 12, 13, 15, 20, 36	6942	Screw (4-40 x 9/32 Eccentric) 7
1196	Screw (6-40 Shoulder) 12, 14	7001	Washer 14, 34, 35
1206	Screw (4-40 x 9/16) 11, 13, 15, 16, 36	7002	Washer 1, 2, 4, 5, 6, 7, 9 to 13, 15, 16, 20, 21, 23, 24, 25, 31 to 36
1207	Screw (4-36 x 5/16 Flat Head) 25	7032	Pawl 7
1215	Screw (6-40 Shoulder) 14, 35, 36	7037	Spacer 25
1223	Screw (10-32 x 1/2) 20, 34	7318	Contact Lever 7
1245	Screw (10-32 x 1) 4, 20, 34	7334	Post 1
1248	Screw (6-40 x 1/2) 27	7339	Cam Sleeve 7
1268	Screw (138-40 5/16) 4, 6, 20, 28, 34	7372	Bearing 7
1269	Screw (6-40 x 1/2) 12, 13, 14, 15, 19, 32	7373	Bushing 7
1291	Screw (6-32 x 3/4) 26, 27	7377	Lock Loop 7
1294	Screw (4-36 x 1/2) 26, 27	7378	Lock Loop Roller 7
1297	Screw (6-40 x 2-7/16) 6, 18	7381	Contact Mounting Assembly 7
2034	Washer 7, 18, 23	7382	Bracket - Front 7
2191	Lock Washer 1 to 16, 18 to 28, 31 to 39	7383	Oiler 7
2199	Nut (7/16 -32 Hex) 7	7385	Bracket - Rear 7
2322	Lock Washer 18	7386	Post 7
2378	Spacer Key Lever 3	7387	Brace 7
2382	Lock Washer 12, 14, 34	7389	Clutch - Driving 7
2407	Lock Washer 7	7391	Clutch - Driven
2410	Tape Guide Spring 13, 15	7409	Clutch Lever 7
2422	Lock Washer 11, 13, 15	7482	Key Lever 1
2438	Washer, 12, 14	7614	Spring 36, 37
2502	Mounting Strip 7	7618	Spring 19
2503	Cover Plate 7	7965	Spring 12, 13, 14, 15
2504	Insulator 7	8097	Cam Sleeve 7
2526	Collar 7	8254	Cable Clamp 1
2529	Bushing - Bakelite 7	8330	Washer 1, 14, 19, 25
2565	Key Lever Spring 1	8449	Collar 3
2605	Spring 37	8513	Message Line Guide Assembly 26
2623	Spring 7, 12, 14, 37	8514	Stop Plate 26
2663	Buffer - Rubber 1, 4		
2669	Lock Washer, 1, 3, 4, 9, 12, 13, 14, 15, 20, 22, 25, 27, 36		

NUMERICAL INDEX (Continued)

Part Number	Description and Page Number	Part Number	Description and Page Number
8515	Filler Block 26	73640	Bracket (w/Rod) 26
8539	Screw (6-40 x 1/2) 4, 5, 7, 8, 10, 13, 15, 18	73894	Screw (6-40 x 1/8 Set) 19, 20, 24, 34
8543	Screw (6-40 x 1/4) 1, 5, 12, 13, 14, 15, 16, 20, 25, 32, 33, 34, 35, 36, 37	73946	Nut (6-40 Thumb) 14, 34, 35
8686	Filler - Wood 26	74001	Shaft 7
8896	Shim 7	74014	Screw (10-32 x 3/4) 12, 14
8990	Pad Retainer 21	74059	Screw (6-40 x 7/32) 10
9177	Contact Stop 7	74064	Gear - 26 T 7
9178	Contact Spring 7	74525	Screw (1/4-32 Thumb) 1
9182	Shaft 7	74529	Bracket 1, 2
9209	Key Lever 1	74569	Terminal Block 1
9210	Key Lever 1	74589	Terminal Block Assembly 1
13681	Spring Post 12	74594	Retaining Ring 1
35551	Screw (10-32 x 3/8) 25	74595	Gear - 24 T 7
36273	Washer 1, 7	74613	Screw (4-40 x 1/4) 7, 19
41663	Washer 7, 8, 10	74635	Fastening Strip 22
41720	Contact Spring 8	74637	Spring - Door 21
41732	Clamp Plate 8, 9, 11, 13, 15, 16, 19, 36, 37, 38	74638	Glass 22
41733	Insulator 8, 9, 11, 13, 14, 15, 16, 19, 36, 37, 38	74673	Tearing Edge 22
45104	Spring 14, 35, 36	74674	Nut (6-40 Special) 22
46042	Spacer 19, 36	74691	Resistor - 1600 Ohms 6
55005C	Washer 14, 35, 36	74692	Spring Post 12, 14
55080	Bezel 1,	74696	Copyholder 26
70314	Washer 4, 16, 19, 35, 37	74697**	Copyholder Extension 28
70319	Upstop - Leather 4	74700	Spring 14, 35
70324	Bearing 1	74751	Trip-off Pawl 1
70497	Nut (5/16-32 Hex) 27	74759	Strip-Felt 21
70529	Stiffener 19	74762	Key Lever 1
70834	Copyholder 26	74792	Message Line Guide Assembly 26
71073	Washer 11	74793	Message Line Guide 26, 27, 28
71161	Bushing 7	74794	Copyholder Assembly 26
71266	Washer 27	74795	Stop Plate 26, 27
72031	Keytop 29	74797	Bracket (with Rod) 26
thru		74798	Screw (6-40 x 31/64) 9, 11
72035		74805	Screw (10-32 x 3/4) 4, 13, 15
72037	Keytop 29	74808	Bushing 7
thru		74825**	Paper Slot Strip 21, 24
72039		74831	Copyholder Assembly 26
72041	Keytop 29	74837	Copyholder 26
72042	Keytop 29	74891	Shim 1, 7
72045	Keytop 29	74892	Shim 1
thru		74894	Name Plate 22
72048		74917	Pad Retainer 21
72050	Keytop 29	74952	Screw (4-40 x 5/8) 8, 11, 38
thru		74964	Contact Spring 19
72058		74965	Bushing - Bakelite 11, 16
72061	Keytop 29	74986	Screw (6-40 x 13/32) 1, 6, 39
72472	Shim 1	75087	Screw (6-32 Shoulder) 25, 39
72501	Shaft 1	75120	Wearing Strip 17
72539	Disk 36	75121	Shedder 17
72592	Bracket 26	75437	Line Test Key 1, 2
72635	Shim 19	75477	Resistor - 350 Ohms 3
72643	Screw (6-40 x .375 Shoulder) 3	75606	Spring 7
72824	Keytop 29	75607	Washer 7
thru		75646	Drive Screw 31
72827		75652	Key top
72830	Keytop 29	thru	
72983	Key Lever 1	75658	
72984	Key Lever 1	75750	Washer - Bakelite 6
73151	Keytop 29	75851	Set of Keytops 29
73152	Keytop 29	75852	Keytop 29
73482	Stud 13, 15	76099	Washer 12, 14, 21
		76117	Terminal Block Assembly 13, 16

NUMERICAL INDEX (Continued)

Part Number	Description and Page Number	Part Number	Description and Page Number
76246	Bushing - Bakelite 11,13,15	78959	Keytop 29,31,33
76382	Contact Spring 8	78960	Keytop 29,31,33
76461	Washer 21		thru
76692	Bushing - Bakelite 19, 38	78956	
76800	Spring 11	78966	Keytop 29,31,33
77040	Contact Spring 19	78967	Keytop 29,31,33
77362	Resistor - 350 Ohms 9	78970	Keytop 29
77698	Bolt 4	78971	Keytop 29,31,33
77775	Copyholder 26	78972	Keytop 29
77876	Post 1	78973	Keytop 29
77983	Feed Punch - Small 17	78976	Keytop 29
77984	Guide Plate 17	78978	Keytop 29
77986	Wearing Strip 17	78980	Keytop 29
78011	Condenser - 1 M.F. 4	78981	Keytop 29,31,33
78075	Screw (6-40 Shoulder) 1,32	78982	Keytop 29
78281	Name Plate (Brass) 22		thru
78469	Foot - Rubber 16, 19, 20, 24, 35	78988	Keytop 29
78550	"Y" Lever Guide 5	78993	Keytop 29
78551	Shaft 5	80334	Terminal 19,36,37,38
78552	Retainer 5	80342	Screw (6-40 x 23/64) 1,7,37
78553	Selector Bar Guide 5	80392	Spring 3
78596	Washer - Spring 7	80402	Screw (4-40 x 15/32) 1,32
78713	Frame Assembly 19	80444	Screw (6-40 x 1/4) 7, 20, 31, 36
78720	Ratchet 19	80471	Spring 7
78723	Eccentric 19	80508	Screw (4-40 x 7/8) 11
78724	Feed Pawl 19	80706	Set Screw 13,15
78725	Latch Pawl 19	80869**	Glass Rail - Right 21, 24
78726	Release Latch 19	80870**	Glass Rail - Left 21, 24
78727	Latch Bracket 19	80875	Stop Arm - Rear 21
78728	Bracket 19	80876	Fastening Strip 21, 24
78729	Armature 19	80985	Screw (4-40 x 1/4) 21, 22
78732	Feed Pawl Bracket 19	80986	Lock Washer 21, 22
78733	Release Lever 19	81433	Shim 4,6
78734	Contact Cam 19	81501	Magnet Core 14
78735	Contact Lever 19	81514	Guide Plate 17
78736	Bracket 19	81515	Punch Holder, 17
78740	Spring 19	81516	Armature 11
78741	Spring 19	81524	Selector Finger 12, 14
78742	Clamp 19	81530	Screw (1/4-32 Special) 18
78743	Dashpot Cylinder 19	81531	Screw (1/4-32 Special) 18
78744	Piston 19	81532	Bumper - Leather 18
78745	Cap 19	81553	Feed Pawl 12, 13
78746	Screw (3/16-40 x 3/8 Special) 19	81564	Screw (6-40 x 3/8 Special) 13, 14, 38
78747	Plug 19	81591	Armature Lever 11
78748	Spring 19	81593	Armature Shaft 13, 15
78755	Insulator 19	81596	Screw (10-32 x 1-3/8) 12, 14
78758	Contact Assembly 19	81597	Bracket 13, 15
78932	Set of Keytops 29	81599	Eccentric 12
78936	Set of Keytops 29	81601	Silencer - Felt 12, 14
78946	Keytop 29	81603	Tape Knife 12, 14
78947	Keytop 29, 31, 33	81605	Chad Chute Cover 13, 14
78948	Keytop 29, 31, 33	81609	Terminal Shield 12, 14
78949	Keytop 29	81638	Collar 13, 15
78950	Keytop 29	81657	Shim 13, 15
78951	Keytop 29, 31, 33	81717	Contact Bracket 11
78952	Keytop 29	81721	Contact Spring 9
78953	Keytop 29, 31, 33	81724	Contact Spring 11
78954	Keytop 29	81726	Terminal 8, 11, 13, 15, 16, 38
78955	Keytop 29, 31, 33	81727	Counter Control Contacts Assembly 11
78956	Keytop 29, 31, 33	81734	Clamp Plate 23
78957	Keytop 29, 31, 33	81749	Cable Clamp 1
78958	Keytop 29, 31, 33	81755	Resistor - 200 Ohms 4

NUMERICAL INDEX (Continued)

Part Number	Description and Page Number	Part Number	Description and Page Number
81764	Counter Cover Glass 20	83326	Selector Bar 5
81765	Counter Cover Pad - Felt 20	83330	Universal Bar 6
81766	Counter Cover Retaining Ring 20	83332	Bracket - Left 6
81769	Pad - Felt 20,34	83333	Bracket - Right
81770	Bracket - Left 20,34	83334	Key Lever 1
81771	Bracket - Right 20,34		thru
81772	Bushing - Rubber 20,34	83337	
81792	Punch Block 17	83338	Shaft 4
81793	Guide and Die Plates 17	83341	Spacer Bar Loop 3
81796	Punch Block 17	83342	Slide Bar 6
81797	Guide and Die Plates 17	83343	Spacing Rod 7
81825	Condenser - 1/100 MF 10	83345	Bracket 1
81836	Washer - Bakelite 7	83346	Operating Lever 7
82249	Slim 37	83348	Extension 7
82279	Clip 25	83349	Detent Bracket 7
82281	Guide 25	83351	Plate 9
82332**	Line Test Key Door 22, 24	83353	Condenser Cover 4
82392	Shim 13,15	83354	Spacing Rod Bracket 7
82399	Pad - Right Side 21	83355	Washer - Fibre 4
82401	Pad - Lower Right 21	83356	Bracket 4
82402	Pad - Rear - Upper 21	83357	Counter Bracket 20,34
82403	Pad - Front 21	83361	Link Extension 12,14
82404	Retaining Spring 21	83362	Bearing Bracket 12,14,32,33
	thru	83363	Selector Lever #1, 12,14
82406		83364	Selector Lever #2 and #5, 12,14
82408	Retaining Spring 21	83365	Selector Lever #3 and #4, 12,14
	thru	83366	Feed Punch Selector Lever 11
82410		83367	Counter Contacts Operating Lever 11
82411	Hinge Bracket 21	83369	Insulator 3
82412	Hinge Bracket 21	83370	Extension 12,13,15
82413	Stop Arm - Front 21	83372	Tape Stripper Plate 12
82414	Detent Knob 21	83374	Locking Lever 1
82415	Cover Detent Spring 21	83375	Counter Casting 34
82425	Glass - 6-1/4" High 21	83376	Bearing Rod 12,14
82440	Screw (6-40 x 7/16) 1	83377	Name Plate (Brass) 22
82444	Bushing - Bakelite 8,38	83378	Shield 34
82547	Insulator 8,9,16,38	83379	Cover 9
82559	Bushing - Bakelite 9,11	83381	Shaft 3
82607	Keytop 29	83382	Post 3
82626	Resistor - 20 Ohms 9	83384	Back Space Pawl 12,14
82702	Screw (6-40 x 9/32) 19	83385	Back Space Cam 12
82713	Screw (4-40 x 9/32 Special) 19	83386	Back Space Lever 12
82720	Screw (6-40 x 1/4 Set) 19	83390	Tape Tension Spring 25
82725	Spring 12	83392**	Tape Reel Container 25
82726	Spring 12	83394**	Tape Reel Cover 25
82727	Spring 12,14	83408	Screw (4-40 x 3/16) 1,28
82728	Name Plate (Brass) 22	83421	Pad - Left Side 21
82729	Name Plate (Brass) 22	83424	Tape Guide 23
82769	Strap 3	83427	Glass 23
82859	Set of Keytops 29	83428**	Glass Rail 22,23
82866	Resistor - 4500 Ohms 6	83434	Channel - Rubber 23
82930	Contact Spring 9	83436	Bracket 23
83302	Key Lever Guide 1	83437	Counter Mechanism Assembly 19, 34
83303	Spring Plate 4	83438	Counter Cover Assembly 34
83305	Selector Bar Bracket 5	83441	Nipple 34
83307	Connecting Link 5	83442	Cable Clamp 20,34
	thru	83443	Cable - Counter 30,34
83312		83537	Connecting Link "H" 5
83314	Selector Bar 5,33	83572**	Paper Guide Plate 21,24
	thru	83854	Insulating Cloth 4
83324		83885	Nut (6-32 Hex) 21
83325	Selector Bar 5,33	83895	Cable - Resistor 30

NUMERICAL INDEX (Continued)

Part Number	Description and Page Number	Part Number	Description and Page Number
83901	Dial Plate 19, 20, 24, 34	87937	Bracket (With Rod) 26
83919	Shim 5	87938	Bracket (With Rod) 26
83921	Perforator Bracket 12, 13	87979**	Lid-Top 24
83922	Roller 13	87980**	Lid-Rear 24
83923	Bracket 13, 32, 34	88651	Set of Keytops 29
83924	Roller Fork 13	88876	Lacing - Brown 21, 22
83926	Indicator 19, 20, 24, 34	88877	Lacing - Black 21, 22
82954	Bushing 8, 9	88995	Post 1, 32
84041	Lamp - Red 20	89069	Set of Parts to Hold Universal Bar Depressed 31
84053**	Perforator Unit Cover 23	89070	Cut-out Lever 7, 31
84082	Screw (6-40 x 13/32) 12, 13, 14, 15, 34, 35	89071	Bushing 7, 31
84466	Break Key 1, 2	89072	Spring 1, 31
84527	Cable - Keyboard 30	89073	Extension 7, 31
84554	Cable - Perforator 30	89074	Stud - Eccentric 7, 31
84575	Spring 23	89086	Tape Reel 25
84592	Shim 14, 32, 33	89087	Core 25
84663	Bracket 9	89088	Filler - Wood 25
84665	Bushing - Bakelite 9	89089	Tape Retainer 25
84674	Contact Spring 11	89330	Spring 1, 33
84675	Contact Spring 9, 11	89354	Strap 4, 20, 34
84700	Punch Contacts Operating Lever 11	89486	Stiffener 11
84701	Contact Lever 11	89492	Screw (1/4-32 Special) 18
84702	Contact Bracket 11	89493	Spacer Bar Loop 1, 32
84703	Bracket 11	89494	Spacer Key Lever 1, 33
84757	Punch Contacts Assembly 11	89495	Spacer Bar - Short 1, 33
84758	Spring 12, 14	89496	Shaft 1, 32
84763	Clamp Plate 11	89497	Extension - Bakelite 11
84892	Stiffener 9, 11	89498	Armature Lever 12, 13, 32
84903	Contact Spring 9	89499	Selector Finger Guide 13, 14, 32
84904	Perforator Control Contacts Assembly 9	89500	Feed Punch - Small 17, 32
84911	Contact Bracket 7, 8, 38	89504	Punch Block 17
84912	Extension - Bakelite 11	89535	Foot - Felt 22
84923	Spring - Rear 8	89896	Oil Cup 7
84924	Spring - Front 8	89897	Nut (10-32 Hex) 7
84990	Screw (.138-40 x 1/4) 1	89917	Screw (4-40 Eccentric) 7
85098	Spacer Bar 3	89963	Eccentric 12, 14
85376	Key Lever Spring 1, 31	89969	Washer - Bakelite 18
85384	Bushing 12, 13, 14, 15	89974	Cam Pulsing Contacts Assembly 8
85932	Keytop 37	90177	Punch Contacts Assembly 11
85936	Post 16, 35	90260	Spring 7
85976	Spacer 12, 14, 32	90421	Spacer - Rear 20, 35
86192	Set of Parts 31	90438	Button - Felt 7
86193	Set of Parts 31	90791	Lock Washer 39
86468	Screw (1/4-32 Special) 18	90951	Lock Washer 14, 18, 19, 35, 36, 37
86531	Screw (6-40 Shoulder) 23	91001	Spring 1, 33
86630	Keytop 29	91002	Spacer Bar - Long 1, 33
86631	Keytop 29	91003	Repeat Space Extension 1, 32
86634	Stiffener 8	91114	Punch Block (Assem.) - Advanced Feed 17
86664	Set of Keytops 29	91120	Spring 1, 7
86774	Screw (6-40 Shoulder) 14, 35, 36	91205	Detent Assembly 12, 14
86865	Chad Chite 13, 15	91210	Copyholder Assembly 26
86919	Lock Plate 12, 14	91211	Copyholder 26
86920	Star Wheel 12, 14	91289	Name Plate 31
86955	Contact Spring Assembly 38	91290	Name Plate 31
86959	Bushing 38	91540	Counter Control Unit 6, 31
87385	Strap - 4" Long 4, 30	91540	Bracket 12, 14, 32
87386	Cable - Counter Resistor 30	91544	Spring Adjusting Lever 12, 14, 32
87387	Resistor Bracket 18	91545	Extension 10, 12, 14, 32
87388	Resistor Guard 18	91546	Screw (10-32 Shoulder) 12, 14, 32
87477	Resistor - 1000 Ohms 18	91547	Bracket 13, 15, 32
87636	Screw (2-56 x 3/16) 22	91548	Bushing 12, 14, 32
87936	Bracket 26		

NUMERICAL INDEX (Continued)

Part Number	Description and Page Number	Part Number	Description and Page Number
91550	Contact Operating Lever 12, 14, 32	93743**	Lid-Front 24
91554	Universal Bar 6, 31	94086	Spacing Rod Bracket 7, 34, 36
91555	Contact Bracket 13, 15	94087	Extension 7, 34, 36
91556	Contact Lever 12, 13, 14, 15	94088	Spacing Rod 7, 34, 36
91558	Selector Lever Guide 12, 14, 32, 33	94248	Cable Clamp 1, 3, 4, 36
91559	Feed Punch Selector Lever 12, 14, 32, 33	94249	Cable Clamp 4
91562	Screw (10-32 x 2-1/2) 9	94494	Set of Parts to Reduce Friction of the Repeat Space Rod Cut-Out 34
91564	Armature 32	94617	Copyholder Spacer 26, 27
91565	Shim 4, 6, 31	95936	Choke Coil 10
91568	Contact Spring 9	95960	Tape Gauge 18
91570	Punch Contact Assembly 13, 15, 32	96281Y	Wire 10
91571	Counter Control Contacts Assembly 9, 31	96871	Detent Lever 12, 14
91573	Contact Spring 9	96872	Roller 12, 14
91574	Bracket 9	96883	Terminal 1
91575	Cover 9, 31	97393	Screw (6-40 Shoulder) 37
91576	Cable - Perforator 30, 31	98841	Perforator Bracket 13, 14, 15
91577	Spring 12, 14, 32	98869	Spacer 39
91621	Window 22	97631	Adjusting Bracket 14, 35, 36
91624	Set of Parts 31	97632	Bracket 14, 34, 35
91625	Set of Parts Key Pressure Mechanism 32	97633	Feed Pawl Lever 14, 35
91626	Set of Parts to Apply Two-Piece Armature Lever and Follow-Through Feature 32	97634	Feed Pawl 14, 35, 36
91627	Set of Parts to Apply Space Mechanism with Centrally Located Key Lever 32	97635	Armature Lever 15, 34, 35
91631	Set of Parts to Apply Long Spacer Bar to Perforator Transmitter Equipped with Space Mechanism Having Centrally Located Spacer Key Lever 33	97636	Tape Stripper Plate 14
91727	Name Plate 1	97637	Eccentric 14, 35, 36
91733	Filter Bracket 10	97638	Guide 14, 35, 36
91734	Filter Bracket 10	97639	Spring Post 14, 34, 35
91751	Copyholder 26	97640	Spring Post 14, 35, 36
91752	Copyholder Assembly 26	97641	Armature 12, 13, 14, 15, 34, 35
92164	Name Plate 33	97642	Bumper - Leather 18, 35, 36
92165	Name Plate 33	97643	Backspacer Lever 14, 35, 36
92167	Set of Parts for Converting Bell System Keypad Arrangement "C" to "B" (For Use on 15-E Perforator Transmitter) 33	98722	Screw (4-40 x 5/8) 35
92168	Set of Parts for Converting Bell System Keypad Arrangement "C" to "A" 33	98832	Screw (4-40 x 11/16) 8
92170	Filter Bracket 7, 10	98841	Perforator Bracket 13, 14, 15
92177**	Shield 20	99037	Set of Parts 34
92204	Cable Clamp 20, 36	99871	Counter Bracket 20, 36
92216	Filter Assembly 10	99872	Lamp Bracket 20, 35
92222	Filter Unit Assembly 10	99873	Cover 35
92224	Filter Unit Assembly 10	99876	Backspacer 23
92225	Filter Unit Assembly 10	99878	Clamp Bushing 20, 36
92231	Set of Keypads 33	99879	Set of Parts 35
92243	Filter Assembly 10	99880	Set of Parts 35
92291	Capacitor 10	99881	Cable - Perforator and Counter 30, 36
92505	Shielding Tube 10	99882	Channel - Rubber 23, 35
92511	Roller 7	99947	Tool 18
92521**	Counter Casting 20	99985	Tape Stripper Plate 14, 35, 36
92522**	Counter Cover 20	99987	Retaining Bracket 14, 35, 36
92534	Line Test Key 1, 2	99988	Link Extension - Upper 14, 36, 37
92631	Bushing 16	99989	Link Extension - Lower 14, 36, 37
92744	Terminal 10	100106	Screw (4-40 Shoulder) 37
92828	Set of Parts to Apply Adjustable Feed Funch Selector Lever and Selector Lever Guide 33	100326	Screw (6-40 x 9/32) 5
92996	Electric Impulse Counter Assembly 34	100419	Stiffener 38
93112	Screw (4-40 x 7/8) 39	101275	Copyholder Assembly 26
93141	Screw (6-40 x 7/32) 10	101276	Copyholder Assembly 26
		101456	Screw (6-32 x 9/32) 1
		101476	Strip - Felt 22, 23
		101492**	Tape Reel Bracket 22
		101592	Set of Keypads 36
		101868	Copyholder Assembly 26
		101879	Name Plate 22
		101884	Name Plate 22
		102009	Name Plate Assembly 22
		102047	Screw (6-32 x 3/4) 26

NUMERICAL INDEX (Continued)

Part Number	Description and Page Number	Part Number	Description and Page Number
102048	Screw (4-36 x 1/2) 26	109152	Screw (4-40 x 11/64) 37
102127	Screw (2-56 x 3/16) 22	109889	Screw (3-56 x 1/4) 2
102236	Screw (2-56 x 1/4) 22	110434	Screw (4-40 x 3/16) 13, 15, 18
102244	Name Plate 37	110435	Nut 7, 9, 19, 21, 24, 31, 37
102245	Name Plate 37	110437	Spring 11, 16, 37
102246	Name Plate 37	110682	Feed Roll 13, 15
102446	Copyholder Assembly 26	110683	Feed Roll 13, 15
102721**	Form Shelf 22	110730	Guide Plate 17
102763	Screw - Black Nickel 26	110733	Punch Block 17
102883	Punch Contact and Latch Assembly 6, 37	110753	Screw (4-40 Special) 9
102884	Contact Bracket 16	110901	Retractor Plate 17
102885	Latch Bracket 16	110920	Guide Rod 27
102886	Latch Lever 16	110921	Guide Rod 28
102887	Bracket 16	110974	Spring 13, 15
102888	Anti-Chatter Lever 16	111017	Screw (6-40 x 5/16) 23
102889	Screw (4-40 Special) 16	111020	Punch Block 17
102890	Armature 16, 37	111022	Punch Block 17
102892	Screw (6-40 x 13/32) 16, 37	111262	Bracket 2
102893	Spring Plate 16, 37	111329	Line Guide 27
102894	Spring Plate 16, 37	111731	Cam Sleeve Assembly 37
102895	Operating Lever 14, 16, 37	111970	Cam Key 2
102896	Set of Parts 37	112008	Set of Parts 37
102897	Stiffener 16	112009	Bracket 37
103386	Terminal Guard 19, 36	112010	Bracket 38
103511	Screw (6-40 Shoulder) 16, 35	112011	Extension 37, 38
103531	Insulator 16, 35	112012	Keylever Assembly 37, 38
103551	Set of Parts 16	112013	Bracket 38
104572	Stop Bracket 24	112069	Cable 37
104691	Contact Assembly 39	112105	Guard 37
104692	Arm 39	112106	Spacer 37
104693	Lock Loop 39	112108	Bracket 37
104694	Cable Assembly 39	112111	Contact Spring Assembly 38
104695	Bracket 39	112112	Contact Spring Assembly 38
104749	Blocking Plate 7	112116	Lever 37
104807	Washer 19	112117	Lever 38
104828	Screw (4-40 x 15/64) 20, 24	112118	Plate 38
104857	Bracket 27	112127	Cam Follower Hinge 8, 38
104858	Plate 27	112128	Cam Follower Retainer 8, 38
104859	Post 27	112129	Cam Follower 38
104860	Post 27	112498	Screw (6-40 x 3/4) 38
104861	Washer - Cup 27	112503	Contact Assembly 38
104863	Nut - Wing 27	112504	Contact Assembly 38
104865**	Perforator and Counter Unit Cover 23, 24	112505	Contact Spring Assembly 38
104867	Clamp 23, 24	112549	Set of Parts 2
104868	Glass 23, 24	112570	Set of Parts 38
104936	Keyboard Cable 30	112571	Contact Spring 38
104990	Glass 24	112572	Contact Spring - With Points 38
105021	Copyholder 26	112578	Backstop Plate 38
105024	Pad - Felt 23, 24	112588	Contact Mounting Assembly 38
105026	Copyholder 26	112595	Set of Parts 38
105244	Bracket 27	112626	Nut 9, 22, 25, 27
105912	Cock Washer 20	112627	Nut 22
105940	Contact Stiffener 38	112634	Spring 7
106938	Set of Parts 2	112644	Punch Block 17
106994	Set of Parts for Converting 89974 Cam Pulsing Contacts from Old Style to New Style Assembly 8	112646	Punch Block 17
106995	Set of Parts for Converting 89974 Cam Pulsing Contacts from Old Style to New Style Assembly 8	112670	Line Test Key 2
107112	Shim 7	114240**	Copyholder Plate 27
107303**	Range Finder Door 24	114749	Cable 2
107485	Screw (6-40 Eccentric) 7	115700**	Copyholder Assembly 27
		115709**	Copyholder Assembly 28
		115723**	Form Accumulating Shelf Assembly 22
		115726**	Tape Reel and Container Assembly 25
		115763**	Perforator Unit Cover Assembly 23

NUMERICAL INDEX (Continued)

Part Number	Description and Page Number	Part Number	Description and Page Number
115939	Journal 12,14	125112	Screw (2-56 x 1/8) 5
117079**	Glass Rail - Right 22	125124	Screw (4-40 Shoulder) 19,21,37
117080**	Glass Rail - Left 22	125126	Screw (2-56 x 9/32) 13,15
117370	Cover Handle 24	125137	Screw (10-32 x 1/2) 3
117406	Contact Spring 11,13,15,16	125139	Screw (4-40 x 1/8) 7,10,34,36
117407	Contact Spring 11,13,15,16	125143	Screw - Nickel 26,28
117447**	Retaining Plate 1	125168	Screw (6-40 x 1/4) 5
117715**	Keyboard Base 1,4	125176	Screw (3-56 Pilot) 19
117750**	Perforator and Counter Unit Cover Assembly 23	125211	Screw 4,13,15
117907**	Shield 22	125215	Screw (4-40 x 3/16) 14,36,37
117931**	Bracket 22	125229	Nut 1,23,25
118485**	Cover Plate 22,24	125235	Nut 23,24,26,27
118526**	Counter Cover Assembly 20	125262	Spring 17
118905	Spring 16	125404	Lamp - Red - 110V 20,34
119639**	Plug Button 24	125418	Spring Post 12
120451	Name Plate 28	125420	Shedder Guide 17
120498	Retainer Card 24	125421	Dowel 17
120594	Cam Follower - Rear 8	125422	Dowel 17
120595	Cam Follower - Front 8	125493	Code Punch - Large 17
120882	Contact Spring 11	125683	Eccentric 12,14
121244	Cable Clamp 12,13,15	125949	Screw (0-80 x 1/8) 19
121995	Tape Tension Lever 13,15	126775	Nut 20
122264	Set of Parts 38	126776	Lamp Socket 20
122265	Nut 39	136092**	Copyholder Assembly 27
122266	Repeat Lever 38	136128	Set of Parts 39
122267	Repeat Lever Bracket 38	136141	Set of Parts 39
122268	Repeat Lever Extension 38	138803**	Copyholder 27
122269	Repeat Space Extension 39	139760	Spacing Block 39
123594	Spring 39	139762	Tape Tension Spring 39
123955	Screw (4-40 Shoulder) 19	139763**	Front Plate 39
124975	Back Spacer 23	139764**	Tape Container 39
125011	Washer 3,9,12,13,14,15,19,20,24,31,32,34,35,36	151618	Screw (6-40 x 7/16) 13,15
125012	Lamp Socket 34	151637	Screw (4-40 x 1/4) 39
125015	Washer 16,22	151657	Screw (6-40 x 1/4) 39
		151688	Screw (4-40 x 5/8) 15

