

Figure 3-1. Over-All Block Diagram

ZONING FOR POWER DISTRIBUTION DIAGRAM FIGURE 5-11

REF DESIG	LOC	REF DESIG	LOC
C606	6C	T801	12B
CR102	9C	TB103	9B
E607	(5C)	TB801	13A, 13B, 13C
F101	14C	V201	3C
F102	9C	V202	3C
F103	4C	V203	3C
FL101	14C	V204	3C
J208	3C	V205	3C
J410	2B	V206	3C
J512	2E	V207	3C
J619	5B, 5C, 8B, 8C	V401	2B
J709	3B	V501	1E
J811	10A, 10B, 10C, 13A, 13B, 13C	V502	1E
K101	9C	V503	1E
K601	8C	V504	1D
L601	7C	V505	1E
L602	6C	V506A	1D
L603	6D	V507	1D
P108	3C	V508	1D
P109	3B	V509	1D
P110	2B	V601	6D
P111	10C, 13C	V602	6D
P112	2E	V603	6D
P119	5B, 5C, 8B, 8C	V604	6D
R619	6B	V605	5B
S101	3E	V701	3B
S102	4E, 5E, 13C	V801	11A, 11C
S103	9B	V802	11A, 11C

- NOTES
1. FC 6 CHANGES RECTIFIERS V801 AND V802 to CR801 AND CR802.
  2. FUNCTION SWITCH S102 SHOWN IN OFF POSITION.
  3. SEE TABLE 2-3 FOR ALTERNATE FUSES.

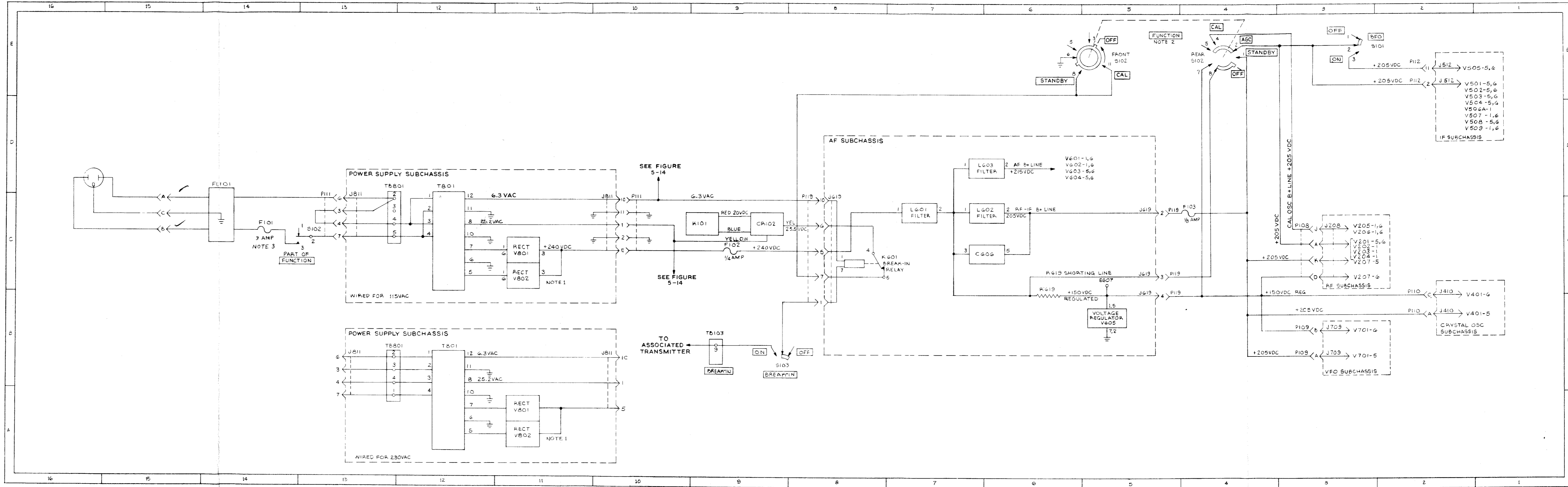


Figure 5-11. Power Distribution Diagram

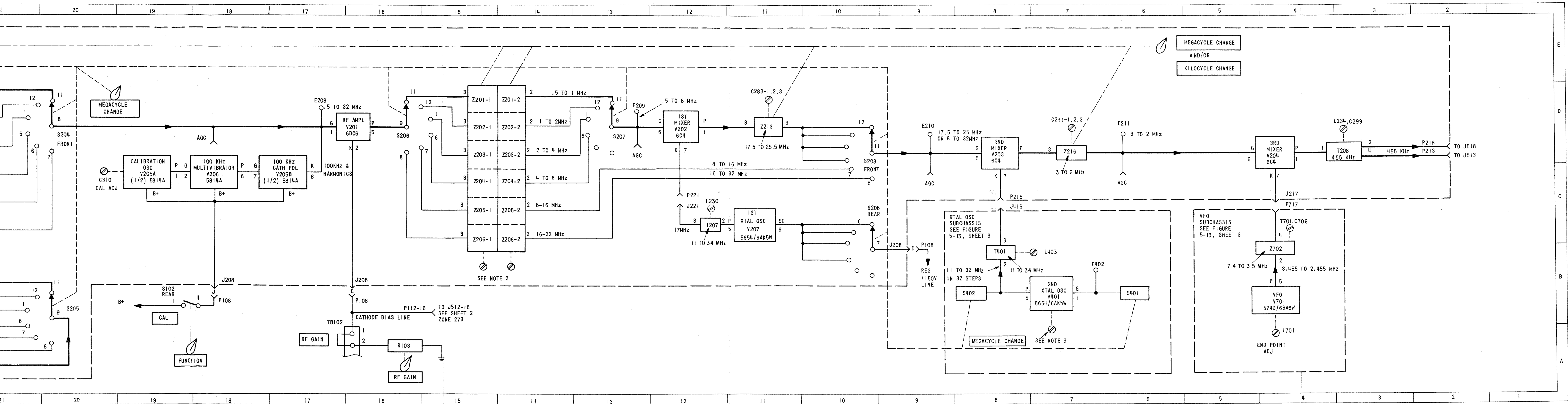


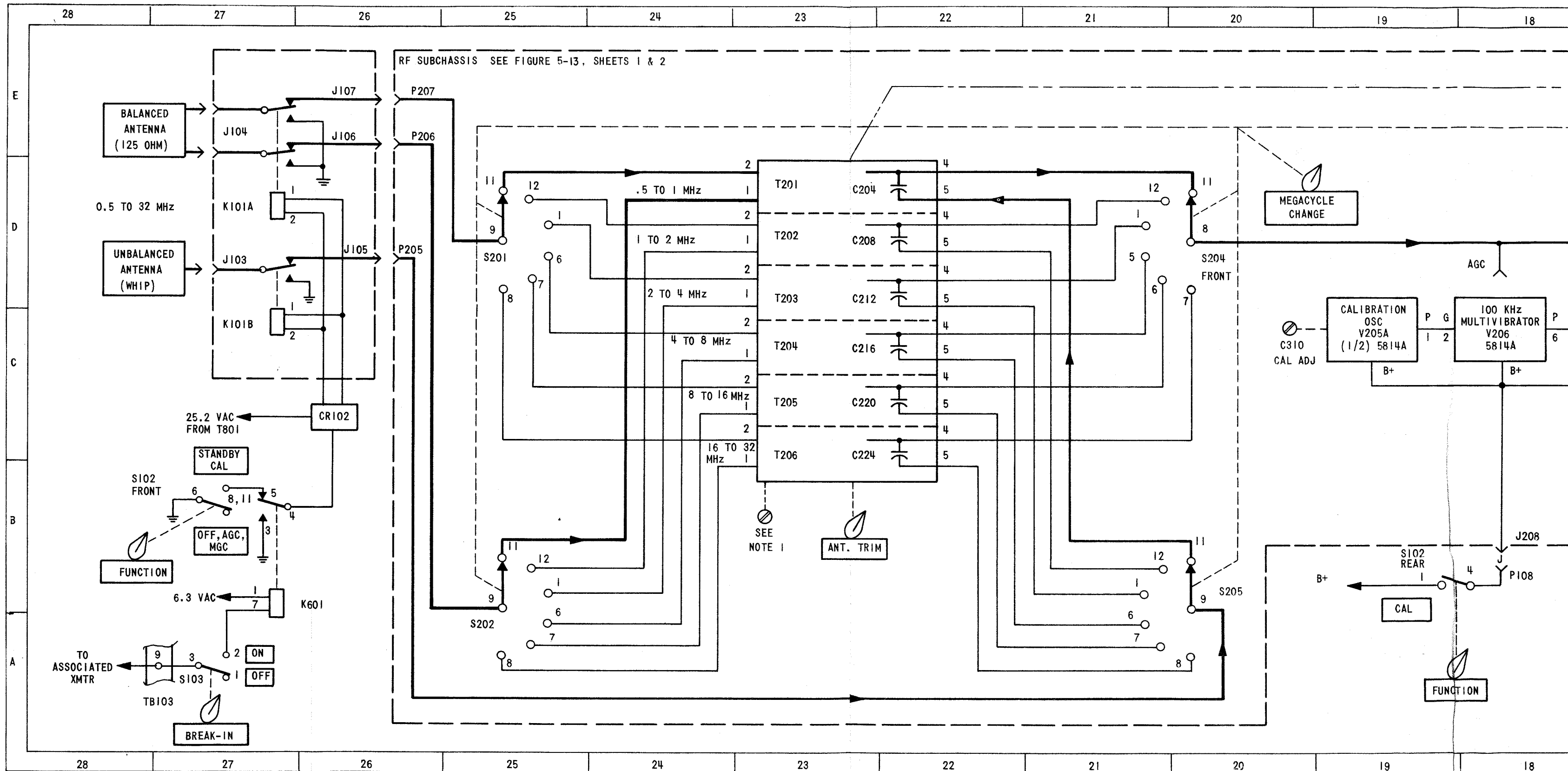
Figure 5-12. Signal Flow Diagram (Sheet 1 of 2)

ZONING FOR SIGNAL FLOW DIAGRAM FIGURE 5-12 (SHEET 1 of 2)

REF DESIG	LOC	REF DESIG	LOC	REF DESIG	LOC
C204	22D	K601	27A	S208R	10C
C208	22D	L234	3D	S401	6B
C212	22D	L701	4A	S402	8B
C216	22C	P108	18B	TB102	16B
C220	22C		16B	TB103	28A
C224	22C		9B	V201	16D
C283	11D	P112	16B	V202	12D
C291	7D	P205	26D	V203	8D
C310	20C	P206	26E	V204	4D
CR102	26C	P207	26E	V205A	19C
E208	17D	P213	2D	V205B	17C
E209	13D	P215	8C	V206	18C
E210	9D	P218	2D	V207	11C
E211	6D	P221	12C	V401	7B
J103	27D	P717	4C	V701	4B
J104	27E	R103	16A	Z201	14D
J105	26D	S102F	27B	Z202	14D
J106	26E	S102R	19B	Z203	14D
J107	26E	S103	27A	Z204	14C
J208	18B,	S201	25D	Z205	14C
	16B,	S202	25B	Z206	14C
	9B,	S204	20D	Z213	11D
J217	4C	S205	20B	Z216	7D
J221	12C	S206	16D	Z702	4B
J415	8C	S207	13D		
K101	27D	S208F	10D		

NOTES:

1. Primary trimmers C201A, C205A, C209A, C213A, C217A, and C221A. Secondary trimmers C201B, C205B, C209B, C213B, C217B, and C221B.
2. Trimmers C230-1, C233-1, C236-1, C239-1, C242-1, and C245-1. Trimmers C230-2, C233-2, C236-2, C239-2, C242-2, and C245-2.
3. Plate circuit trimmers C429A through H, C430A through H, and C431A through H.



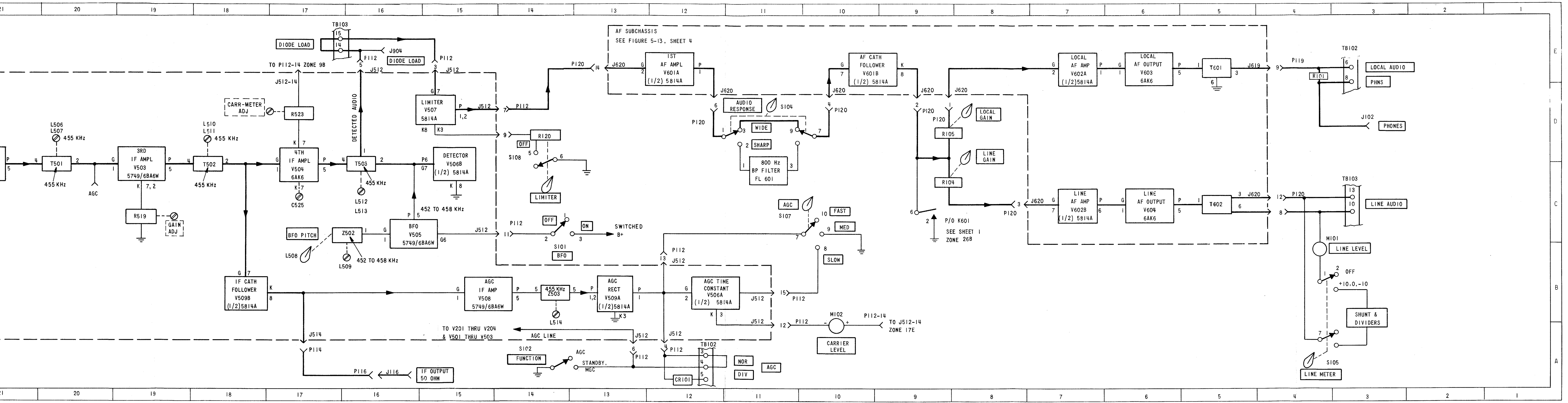
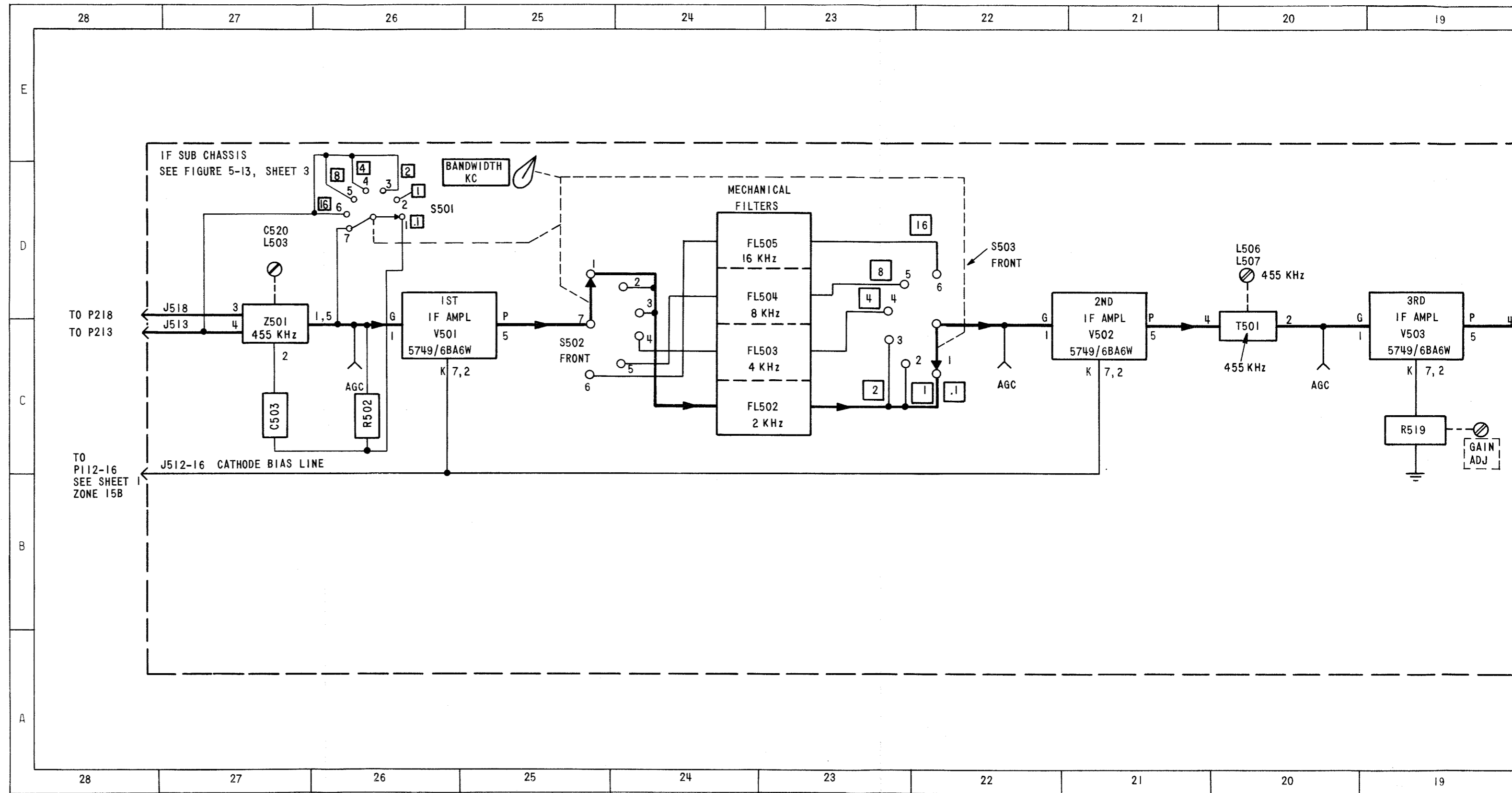


Figure 5-12. Signal Flow Diagram (Sheet 2 of 2)

ZONING FOR SIGNAL FLOW DIAGRAM FIGURE 5-12 (SHEET 2 of 2)

REF DESIG	LOC	REF DESIG	LOC	REF DESIG	LOC
C520	27D	L510	18D	T501	20C
C525	17C	L511	18D	T502	18C
CR101	12A	L512	16C	T503	16C
FL502	24C	L513	16C	T601	5E
FL503	24C	M101	4B	T602	5C
FL504	24D	M102	10B	TB102	12A, 3A
FL505	24D	P112	16E, 15E, 14C,	TB103	17E, 3C
FL601	11C		14D,	V501	26C
J102	3D		12A,	V502	21C
J116	16A		11B,	V503	19C
J512	17D,		10B,	V504	17C
	16E,		16A,	V505	16C
	15D,	P116	13D,	V506A	12B
	15C,	P119	12D,	V506B	15C
	12A,	P120	9D,	V507	15D
	11B,		4C,	V508	15B
J513	27C		9C,	V509A	13B
J518	27D		4C,	V509B	18B
J619	5E		9D,	V601A	12D
J620	13D,	R104	14D,	V601B	10E
	12D,	R105	17D,	V602A	7E
	8D,	R120	14C,	V602B	7C
	5C	R523	11D,	V603	6E
J904	16E	S101	4A,	V604	6C
K601	9C	S104	11C,	Z501	27C
L503	27D	S105	14C,	Z502	16B
L506	20D	S107	25C,	Z503	14B
L507	20D	S108	22D,		
L508	17B	S502F			
L509	16B	S503F			



ZONING FOR SCHEMATIC DIAGRAM FIGURE 5-13 (SHEET 1 of 4)

REF DESIG	LOC	REF DESIG	LOC	REF DESIG	LOC	REF DESIG	LOC
C201A	14E	C237-1	7D	C313	10C	L219	13C
C201B	13E	C237-2	6D	C314	9C	L220	13C
C202	14E	C238-1	7D	C315	10C	L221	13C
C203	13E	C238-2	6D	C316	9B	L222	13B
C204	13E	C239-1	8C	C317	9C	L223	13B
C205A	14D	C239-2	6C	C318	3E	L224-1	8E
C205B	13D	C240-1	7C	C320	9C	L224-2	7E
C206	14D	C240-2	6C	C321	6C	L225-1	8D
C207	13D	C241-1	7C	C322	6C	L225-2	7D
C208	13D	C242-1	8C	C323	6B	L226-1	8D
C209A	14D	C242-2	6C	C324	5D	L226-2	7D
C209B	13D	C243-1	7C	C325	5D	L227-1	8C
C210	14D	C243-2	6C	C326	4D	L227-2	7C
C211	13D	C244-1	7C	C327	4D	L228-1	8C
C212	13D	C244-2	6C	C328	4D	L228-2	7C
C213A	14C	C245-1	8B	C329	3D	L229-1	8B
C213B	13C	C245-2	6B	C330-1	7E	L229-2	7B
C214	14C	C246-1	7B	C330-2	6E	L230	4D
C215	13C	C246-2	6B	C331-1	7D	L231	4D
C216	13C	C247-1	7B	C331-2	6D	L232-1	2E
C217A	14C	C247-2	6B	C334	3D	L232-2	2D
C217B	13C	C248	7B	E208	9E	L232-3	2D
C218	14C	C249	7B	E209	4E	L236	10C
C219	13C	C250	7C	E212	9E	P108	2A, 3A
C220	13C	C251	7C	E213	11D		4A, 8A
C221A	14B	C252	7D	HR202	11C		9A
C221B	13B	C253	7D	I103	15B	P205	15B
C222	14B	C254	7E	J103	15B	P206	15C
C223	13B	C255	9E	J104	15C	P207	15D
C224	13B	C256	11C	J105	15B	P221	4D
C225A	12B	C257	9D	J106	15C	R121	15B
C225B	12B	C273	3D	J107	15C	R201	12B
C226	12B	C274	5D	J208	2A, 3A	R202	9D
C227	9D	C275	2D		4A, 8A	R203	9D
C228	9D	C276	6E		9A	R204	9D
C229	9D	C277	4E	J221	4D	R205	7B
C230-1	8E	C278	6D	K101A	15C	R207	5D
C230-2	6E	C279	6D	K101B	15C	R208	4E
C231-1	7E	C280	3E	L201	4D	R209	4E
C231-2	6E	C281	3E	L208	2C	R210	4D
C232-1	7E	C282	3D	L209	3B	R211	4D
C232-2	6E	C283-1	2E	L210	9B	R212	3D
C233-1	8D	C283-2	2D	L211	9C	R220	11B
C233-2	6D	C283-3	2D	L212	13E	R221	10C
C234-1	7D	C284	3D	L213	13E	R222	10B
C234-2	6D	C308	3C	L214	13D	R223	9B
C235-1	7D	C309	10C	L215	13D	R224	10C
C235-2	6D	C310	11B	L216	13D	R225	9B
C236-1	8D	C311	10C	L217	13D	R226	10C
C236-2	6D	C312	10C	L218	13C	R227	9C

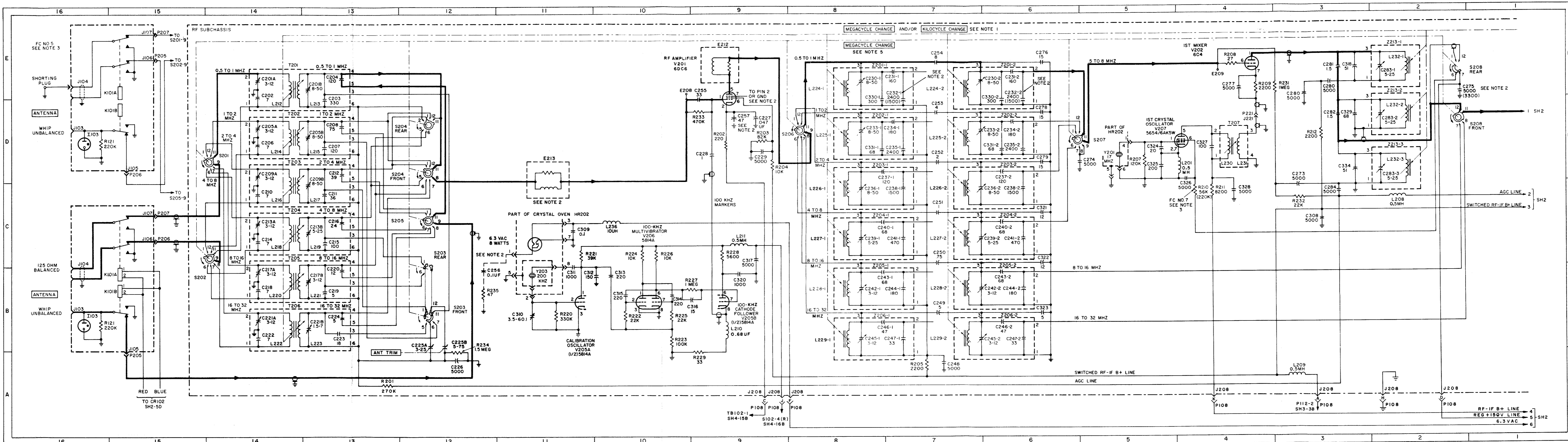


Figure 5-13. Schematic Diagram (Sheet 1 of 4)



ZONING FOR SCHEMATIC DIAGRAM FIGURE 5-13 (SHEET 1 of 4) (Cont)

REF DESIG	LOC	REF DESIG	LOC	REF DESIG	LOC	REF DESIG	LOC
R228	9C	S205	12C	V201	9E	Z203-1	7D
R229	9B	S206	8D	V202	4E	Z203-2	6D
R231	3E	S207	5D	V205A	10B	Z204-1	7C
R232	3C	S208 (front)	2D	V205B	9B	Z204-2	6C
R233	9D	S208 (rear)	2E	V206	10B	Z205-1	7C
R234	12B	T201	13E	V207	4D	Z205-2	6C
R235	11C	T202	13D	Y201	5D	Z206-1	7B
S201	14D	T203	13D	Y203	11C	Z206-2	6B
S202	14C	T204	13C	Z201-1	7E	Z213-1	2E
S203 (front)	12B	T205	13C	Z201-2	6E	Z213-2	2D
S203 (rear)	12C	T206	13B	Z202-1	7D	Z213-3	2D
S204	12D	T207	4D	Z202-2	6D		

GENERAL NOTES:

- A. UNLESS OTHERWISE INDICATED, ELECTRICAL VALUES ARE EXPRESSED IN PICOFARADS, MICROHENRIES, AND OHMS.
- B.  INDICATES EQUIPMENT MARKING.

SPECIFIC NOTES:

1. ANTENNA, RF, AND VARIABLE IF COILS ARE TUNED AS FOLLOWS:  
 CONTINUOUSLY WITH KILOCYCLE CHANGE , ALL COILS.  
 INTERMITTENTLY WITH MEGACYCLE CHANGE . T203 THRU T206, Z203-1 THRU Z206-1, Z203-2 THRU Z206-2, AND Z213-1 THRU Z213-3.
2. REFER TO TABLE 1-9, PRODUCTION MODIFICATIONS.
3. REFER TO TABLE 1-8, FIELD CHANGE DATA, AND FIGURE 5-15.
4. REFER TO FIGURE 5-4, VOLTAGE AND RESISTANCE DIAGRAM.
5. SCHEMATIC SHOWN WITH MEGACYCLE CHANGE SET FOR THE .5 TO 1 MC BAND.

ZONING FOR SCHEMATIC DIAGRAM FIGURE 5-13 (SHEET 2 of 4)

REF DESIG	LOC	REF DESIG	LOC	REF DESIG	LOC	REF DESIG	LOC
C102	4D	C710	13B	L204	8D	R619	6C
C104	11C	C711	14B	L205	8D	R701	13C
C105	10C	C712	5D	L206	9D	R702	12B
C106	11C	C713	6D	L207	9D	R703	12B
C107	10C	C714	12B	L233-1	13E	R704	12C
C285	9D	CR102	5D	L233-2	13D	RT510	7E
C286	15D	CR801	9B	L233-3	13D	S102	10B
C287	14D	CR802	9B	L234	12D	S103	8B
C288	14D	E210	14D	L235	12D	S106	5D
C289	14E	E211	13D	L402	6D	S401	3C
C290	14D	E607	5C	L505	13B	S403	2C
C291-1	13E	F101	10B		14B	S701	13B
C291-2	13D	F102	8B	L601	7C	T208	12D
C291-3	13D	F103	5B	L602	6C	T701	12C
C292-1	13E	FL101	10B	L603	6C	T801	9B, 9C, 9D
C292-2	13D		10C, 11B	L701	14C	TB103	8B
C292-3	13D		11C	L702	14B	TB801	9C
C297	14D	HR401	1C		14C		9D
C298	13D		1D, 2C	L706	5D	V201	8D
C299	12D		2D	P108-B	8D	V202	8D
C300	8D	HR701	13B, 13C		14A	V203	9D
C301	8D		14B, 14C	P109	5D		14D
C302	9D	I101	7C		12A, 13A	V204	9D, 12D
C303	9D	I102	7C		14A	V205	9E
C304	9D	J110-B	6D	P110	4B, 4C	V206	9D
C305	9D	J208	8D		6D	V207	9D
C307	12C		14A	P111	8B, 8C	V401	6D
C319	15D	J217	12C		10C, 10D	V501	7D
C402	2C	J410	4C	P112	6E, 7D	V502	7D
C403	2D		4B		7E	V503	7D
C404	1D	J416	2C	P119	5B, 5C	V504	7D
C406	1C	J417	2B		5D, 7B	V505	7E
C407	4B	J512	6E		7C	V506	7D
C414	6D		7D, 7E	P416	2C	V507	7D
C415	6D	J119-1	7B	P417	2B	V508	7D
C538	7D	J619	5B	P717	12C	V509	7D
C603-C	6C		5C, 5D	R124	8C	V601	7C
C606-A	6B		7B, 7C	R206	14D	V602	7C
C606-B	6B	J709	5D	R213	15D	V603	7C
C611	5C		12A, 13A	R214	14D	V604	7C
C701	14C		14A	R215	14D	V605	5C
C702	13C	J811	8B, 8C	R216	14D	V701	6D
C703	13C		10C, 10D	R217	14C		13C
C704	13C	K601	6C	R218	12D	V801	9B
C705	13B		7C	R219	12C	V802	9C
C706	12C	L101	10C	R230	13D	Y401	2C
C707	12B	L102	10C	R536	7D	Y402	1C
C708	12C	L202	8D	R617	6C	Y403	1D
C709	12C	L203	8D	R618	6C	Y404	1C

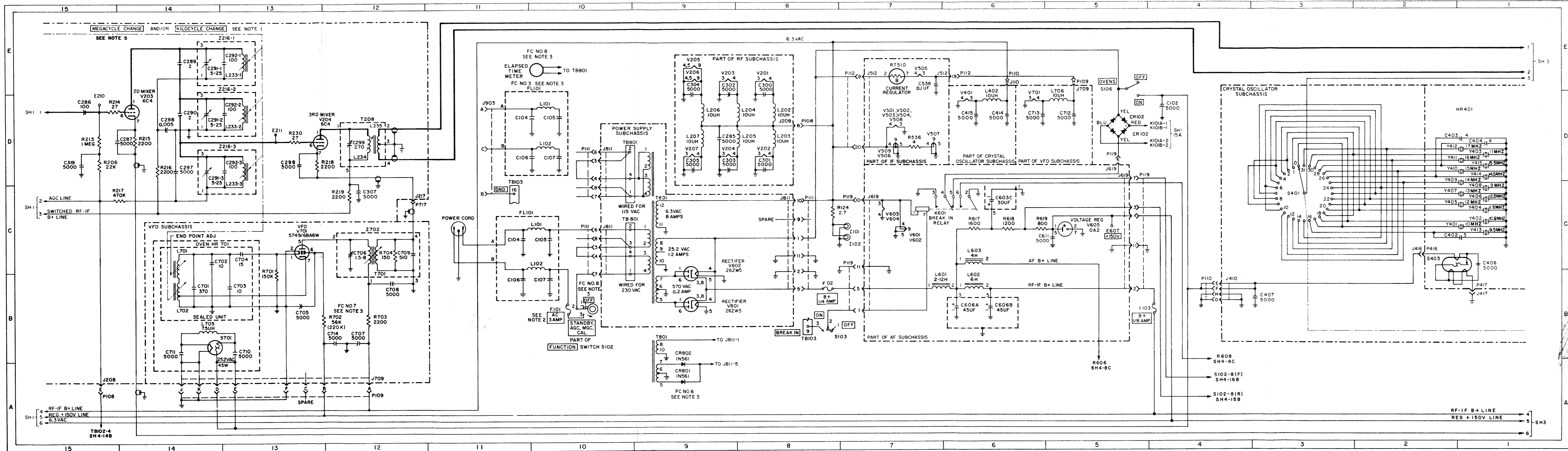


Figure 5-13. Schematic Diagram (Sheet 2 of 4)

ZONING FOR SCHEMATIC DIAGRAM FIGURE 5-13 (SHEET 2 of 4) (Cont)

REF DESIG	LOC	REF DESIG	LOC	REF DESIG	LOC	REF DESIG	LOC
Y405	2C	Y409	2D	Y413	1C	Z216-2	13D, 14D
Y406	1C	Y410	2D	Y414	1D	Z216-3	13D, 14D
Y407	2C	Y411	2D	Y415	1D	Y702	11C, 12C
Y408	1C	Y412	2D	Z216-1	13E, 14E		

GENERAL NOTES:

A. UNLESS OTHERWISE INDICATED, ELECTRICAL VALUES ARE EXPRESSED IN PICO FARADS, MICROHENRIES, AND OHMS.

B.  INDICATES EQUIPMENT MARKING.

SPECIFIC NOTES:

1. ANTENNA, RF, AND VARIABLE IF COILS ARE TUNED AS FOLLOWS:

CONTINUOUSLY WITH KILOCYCLE CHANGE, ALL COILS.

INTERMITTENTLY WITH MEGACYCLE CHANGE, T203 THRU T206, Z203-1 THRU Z206-1, Z203-2 THRU Z206-2, AND Z213-1 THRU Z213-3.

2. REFER TO TABLE 2-3 FOR FUSE VALUES.

3. REFER TO TABLE 1-8, FIELD CHANGE DATA.

4. REFER TO FIGURES 5-4, 5-5, 5-7, 5-8, AND 5-9 VOLTAGE AND RESISTANCE DIAGRAMS.

5. SCHEMATIC SHOWN WITH MEGACYCLE CHANGE SET FOR THE .5 TO 1 MC BAND.

ZONING FOR SCHEMATIC DIAGRAM FIGURE 5-13 (SHEET 3 of 4)

REF DESIG	LOC	REF DESIG	LOC	REF DESIG	LOC	REF DESIG	LOC
C101	3B	C506	11C	J410	18B	R519	7C
C401	19C	C507	10D		19B	R520	7C
C408	20C	C508	10D	J415	18B	R521	8C
C409	19C	C509	10D	J512	2C, 3B	R522	5D
C410	19C	C510	10C		3C, 4B	R523	5C
C411	18C	C511	11C	J513	13D	R524	5C
C412	18C	C512	9C	J518	13E	R525	4C
C413	18C	C513	10C	L401	19C	R526	3D
C417	17C	C514	10D	L403	17C, 17D	R527	3C
C418	17C	C515	10D	L404	17C, 17D	R528	4B, 5C
C419	17C	C516	10D	L501	11C	R529	4B
C420	17C	C517	9C	L502	4C	R530	3B
C421	17B	C518	9C	L503	12D	R531	4B
C422	17B	C519	7C	L505	11D	R532	2D
C423	17B	C520	12D	L506	8D	R533	2D
C424	14C	C521	7D	L507	8D	R534	2C
C425	14C	C522	7C	L508	6B	R535	3C
C426	14C	C523	6C	L509	6B	R537	5C
C427	14C	C524	12D	L510	6D	R550	7C
C428	14C	C525	5D	L511	6D	R551	6C
C429-A	16C	C526	5B	L512	4D	R553	6D
C429-B	16C	C527	5B	L513	4D	R554	6D
C429-C	15C	C528	5C	P110	18B, 19B	R559	6D
C429-D	16B	C529	4C	P112	2B, 3B	R560	6D
C429-E	15C	C530	4C		3C, 4B	S108	2B
C429-F	14C	C531	3D	P213	13D	S402	16C
C429-G	15C	C532	3D	P215	18B	S501	12E
C429-H	14C	C533	4B	P218	13E	S502 (front)	11E
C430-A	16B	C534	4B	R119	2B	S502 (rear)	10E
C430-B	16C	C535	3D	R120	2B	S503 (front)	10E
C430-C	15C	C536	3D	R404	20C	S503 (rear)	9E
C430-D	15C	C537	2D	R405	19C	T401	17C, 17D
C430-E	15C	C549	2D	R406	18C	T501	8D
C430-F	14C	C552	8C	R407	18C	T502	6D
C430-G	15D	C553	6D, 11D	R501	12C	T503	4D, 5D
C430-H	14C	C554	5B, 6D	R502	12C	V401	19C
C431-A	16B	C555	5B	R503	12D	V501	11D
C431-B	16B	C556	5B	R504	11D	V502	9D
C431-D	15C	C557	8D	R505	11D	V503	7D
C43e-D	15C	C558	8D	R506	11C	V504	5D
C431-E	15C	C559	6D	R507	10C	V505	4B
C431-F	14C	C560	6D	R508	11C	V506B	3D
C431-G	15D	C561	4D	R511	8D	V507	2D, 3D
C431-H	14D	C562	4D	R512	7D	Y501	12D
C501	12D	E402	20C	R513	9C	Z501	12C, 12D
C502	12C	FL502	10C	R514	9D	Z702	5B, 6B
C503	12C	FL503	10D	R515	9C		
C504	11C	FL504	10D	R516	8C		
C505	11D	FL505	10D	R518	7D		

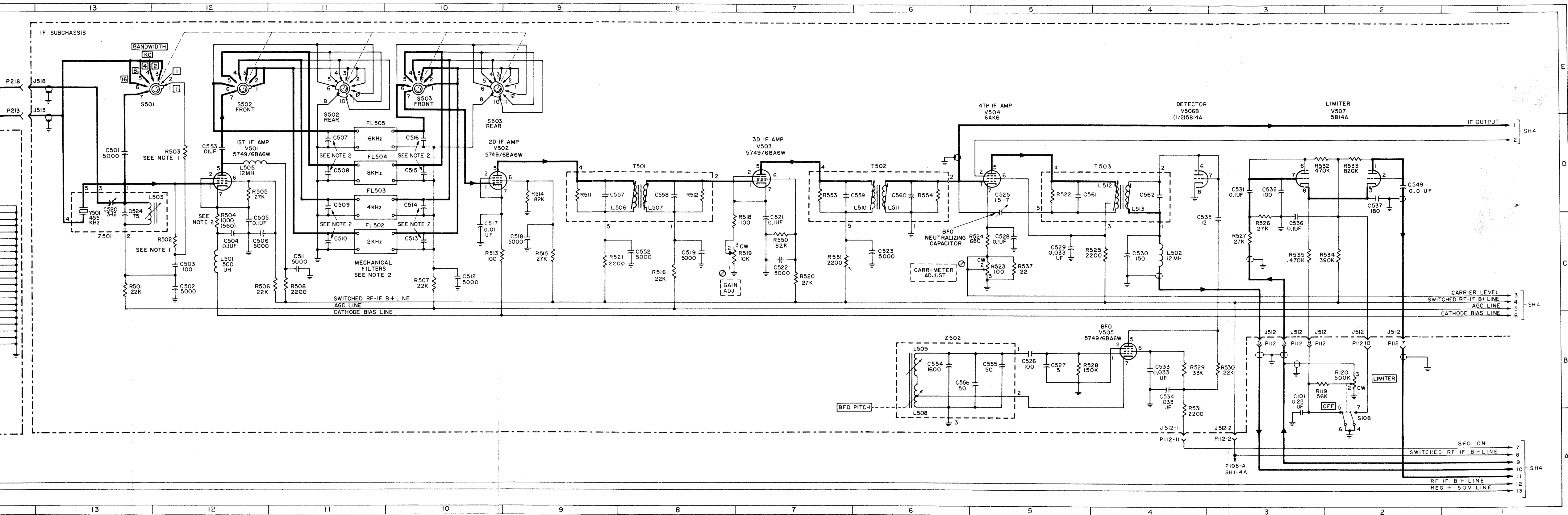


Figure 5-13. Schematic Diagram (Sheet 3 of 4)

GENERAL NOTES:

A. UNLESS OTHERWISE INDICATED, ELECTRICAL VALUES ARE EXPRESSED IN PICO FARADS, MICROHENRIES, AND OHMS.

B.   INDICATES EQUIPMENT MARKING.

SPECIFIC NOTES:

1. RESISTORS R502 AND R503 SELECTED FOR OPTIMUM BANDPASS.

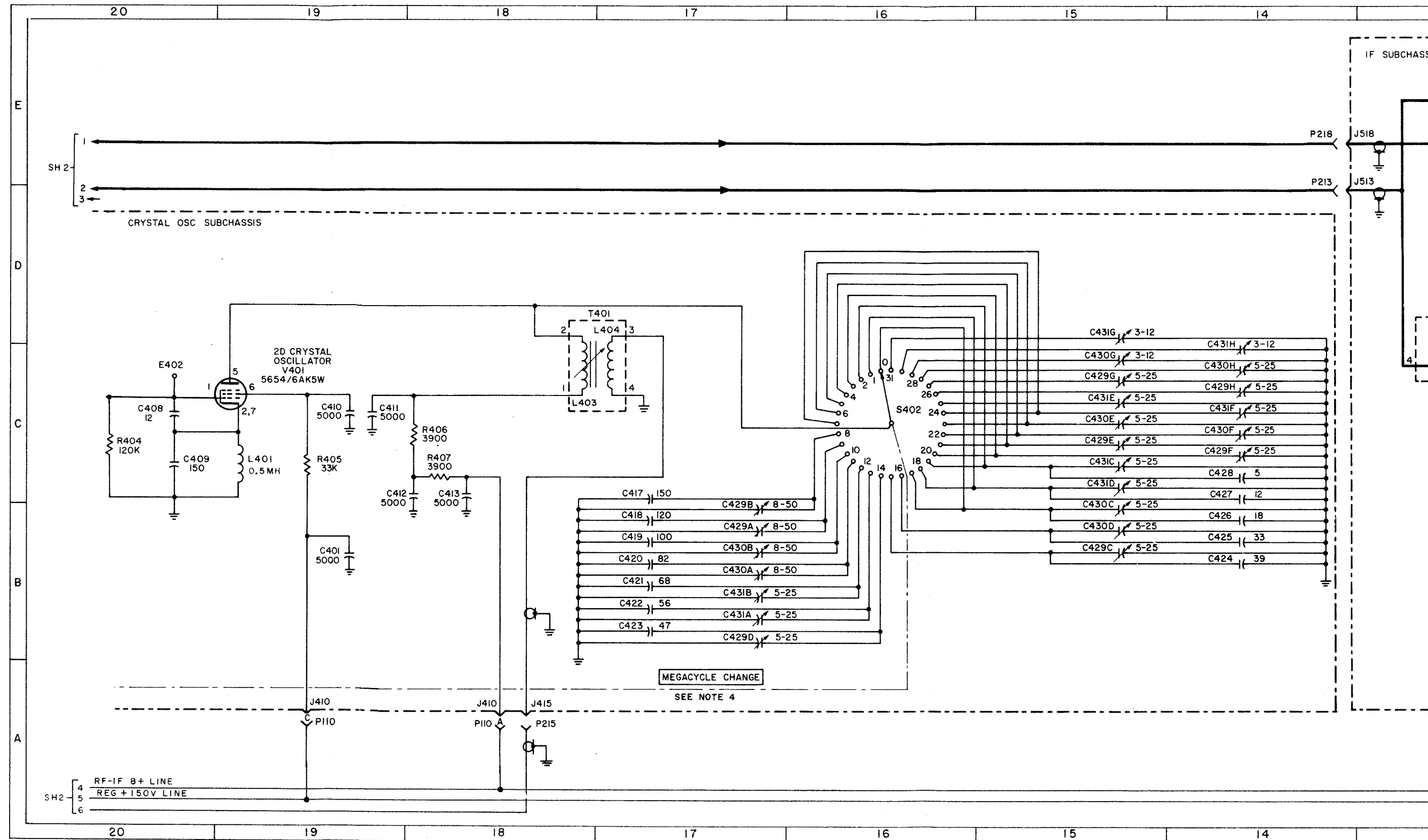
R502 SELECTED WITHIN RANGE OF 33K TO 68K.

R503 SELECTED WITHIN RANGE OF 560 TO 2700.

2. REFER TO TABLE 1-9, PRODUCTION MODIFICATIONS, AND FIGURE 3-6.

3. REFER TO FIGURES 5-5 AND 5-6, VOLTAGE AND RESISTANCE DIAGRAMS.

4. SCHEMATIC SHOWN WITH MEGACYCLE CHANGE SET FOR THE .5 TO 1 MC BAND.



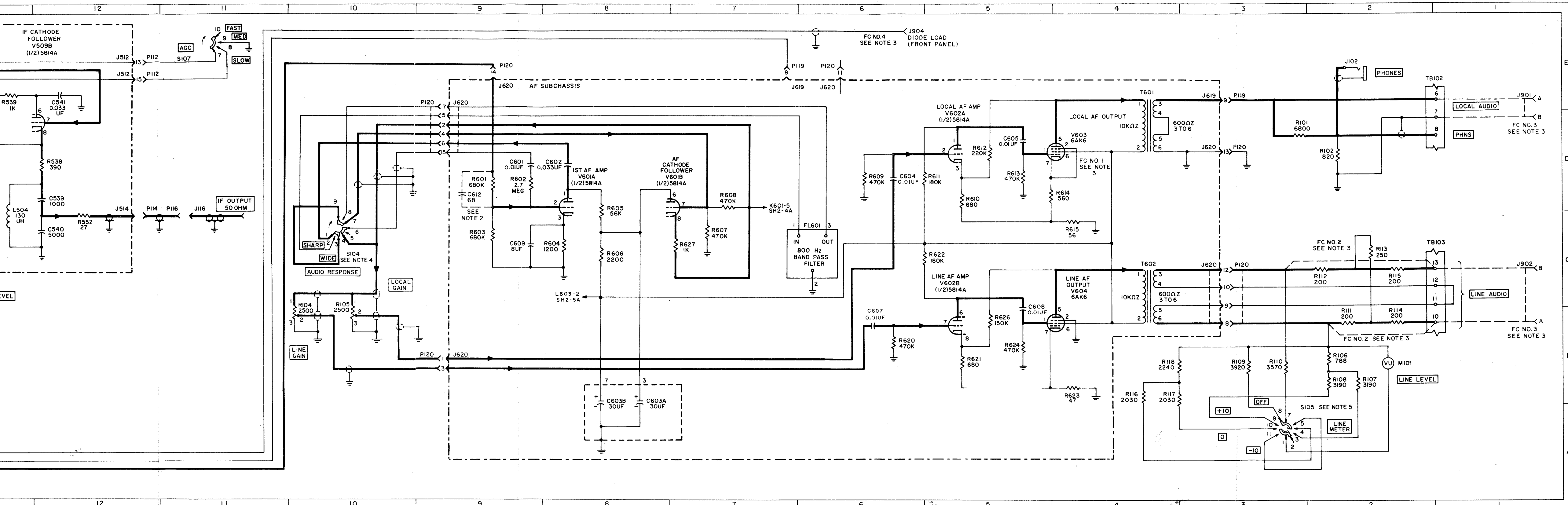


Figure 5-13. Schematic Diagram (Sheet 4 of 4)



ZONING FOR SCHEMATIC DIAGRAM FIGURE 5-13 (SHEET 4 of 4)

REF DESIG	LOC	REF DESIG	LOC	REF DESIG	LOC	REF DESIG	LOC
C539	12C	J620	3B, 3C	R116	4A	R620	6B
C540	12C		9B, 9D	R117	3A	R621	5B
C541	12D	J904	6E	R118	3B	R622	5B
C542	17D	L504	13C	R538	12D	R623	4A
C543	17D	L514	15D	R539	13D	R624	5B
C544	16D	M101	2B	R540	17D	R626	5B
C545	16C	M102	13B	R541	16D	R627	7C
C546	15D	P112	12D, 13C	R542	15C	S101	17B
C547	14D		14C, 15C	R543	16D	S102 (front)	16B
C548	13D		16C, 17C	R544	14D	S102 (rear)	15B
C551	13D	P114	12C	R545	15D	S104	10C
C563	16D	P116	11C	R546	15D	S105	3A
C601	8D	P119	3D, 6E	R547	14D	S107	11E
C602	8D	P120	3B, 3C	R548	13D	T601	4D
C603A	8B		6E, 9B	R549	13D	T602	4B
C603B	8B		9D, 9E	R552	12C	TB102	2D, 13A
C604	6C	R101	3D	R601	9D		13B
C605	5D	R102	2C	R602	8D	TB103	2B, 13B
C607	6B	R103	14B	R603	9C	V506A	13D
C608	5B	R104	10C	R604	8C	V508	16D
C609	8C	R105	10C	R605	8C	V509A	15D
C612	9D	R106	2B	R606	8C	V509B	12D
CR101	13B	R107	2A	R607	7C	V601A	8C
FL601	6C	R108	2A	R608	7C	V601B	7C
J102	2D	R109	3B	R609	6C	V602A	5C
J116	11C	R110	3B	R610	5C	V602B	5B
J512	12D, 13C	R111	2B	R611	5C	V603	4C
	14C, 15C	R112	2B	R612	5C	V604	4B
	16C, 17C	R113	2C	R613	5C	Z503	16D
J514	12C	R114	2B	R614	4C		
J619	3D, 6D	R115	2B	R615	4C		

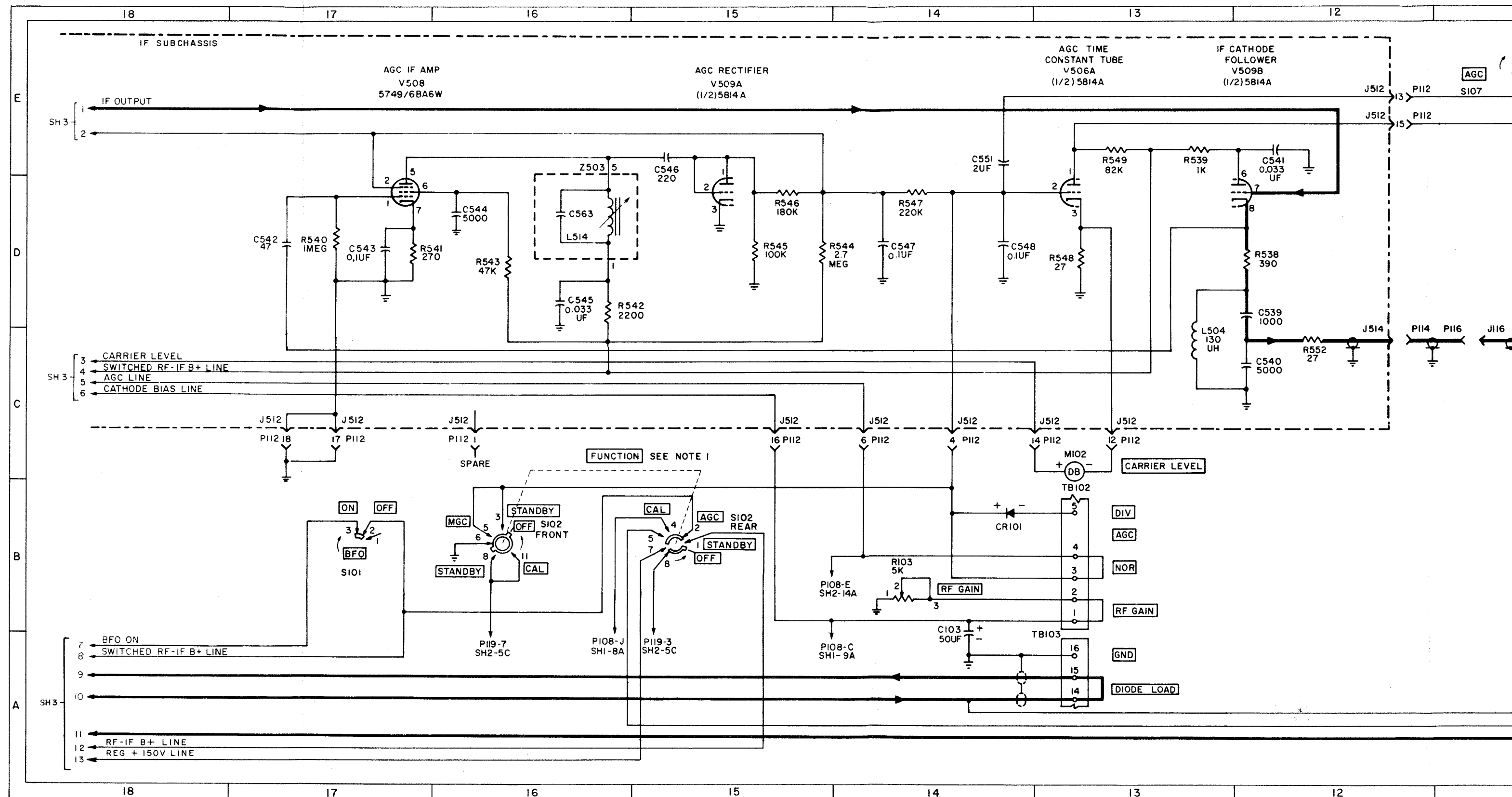
GENERAL NOTES:

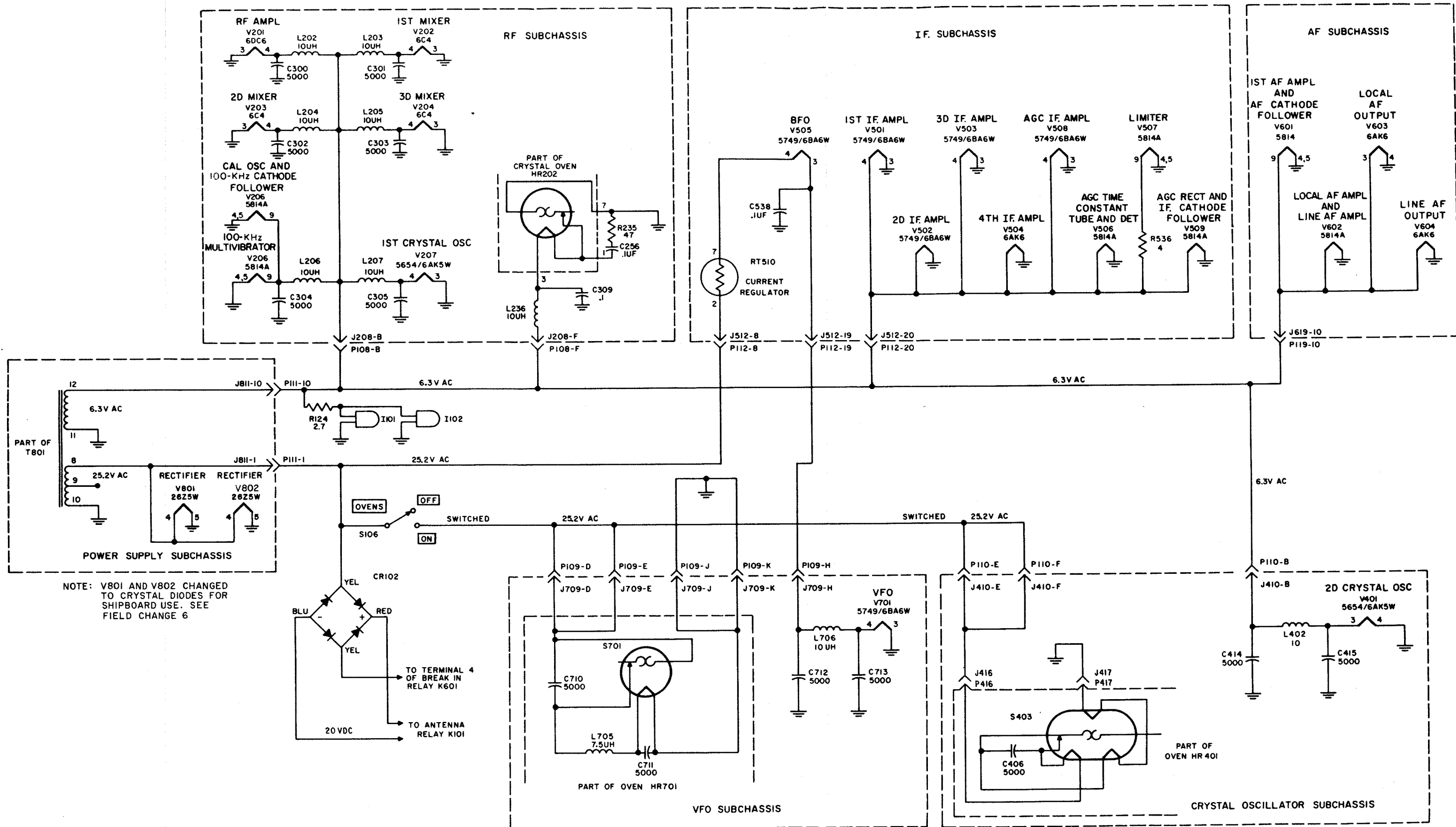
A. UNLESS OTHERWISE INDICATED, ELECTRICAL VALUES ARE EXPRESSED IN PICO FARADS, MICROHENRIES, AND OHMS.

B.      INDICATES EQUIPMENT MARKING.

SPECIFIC NOTES:

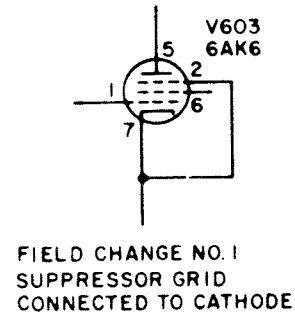
- FUNCTION SWITCH S102 SHOWN IN OFF POSITION
- REFER TO TABLE 1-9, PRODUCTION MODIFICATIONS.
- REFER TO TABLE 1-8, FIELD CHANGE DATA.
- AUDIO RESPONSE SWITCH S104 SHOWN IN WIDE POSITION.
- LINE METER SWITCH S105 SHOWN IN OFF POSITION.
- REFER TO FIGURES 5-6 AND 5-8, VOLTAGE AND RESISTANCE DIAGRAMS.



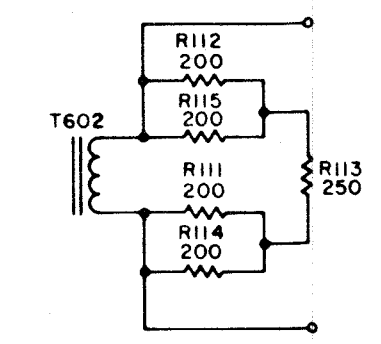


NOTE: V801 AND V802 CHANGED TO CRYSTAL DIODES FOR SHIPBOARD USE. SEE FIELD CHANGE 6

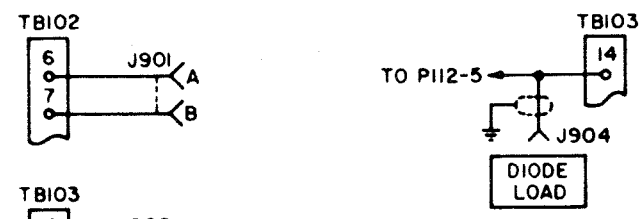
Figure 5-14. Filament and Oven Circuits



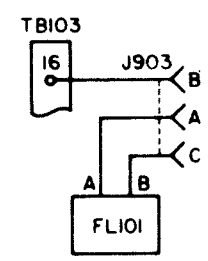
FIELD CHANGE NO. 1  
SUPPRESSOR GRID  
CONNECTED TO CATHODE



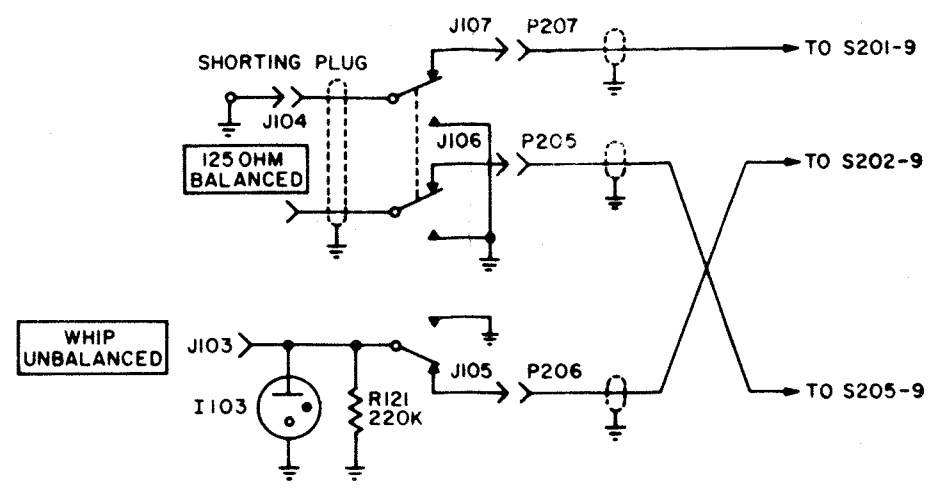
FIELD CHANGE NO. 2  
CONVERSION TO 450 OHM SHUNT  
LOAD



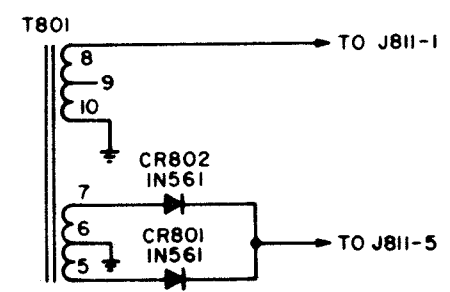
FIELD CHANGE NO. 4 (EIB 655)  
PROVIDES FRONT PANEL  
DIODE LOAD TEST JACK



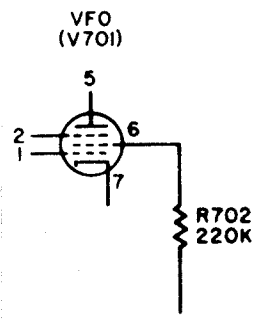
FIELD CHANGE NO. 3 (EIB 702)  
CONVERSION TO AN TYPE CONNECTORS



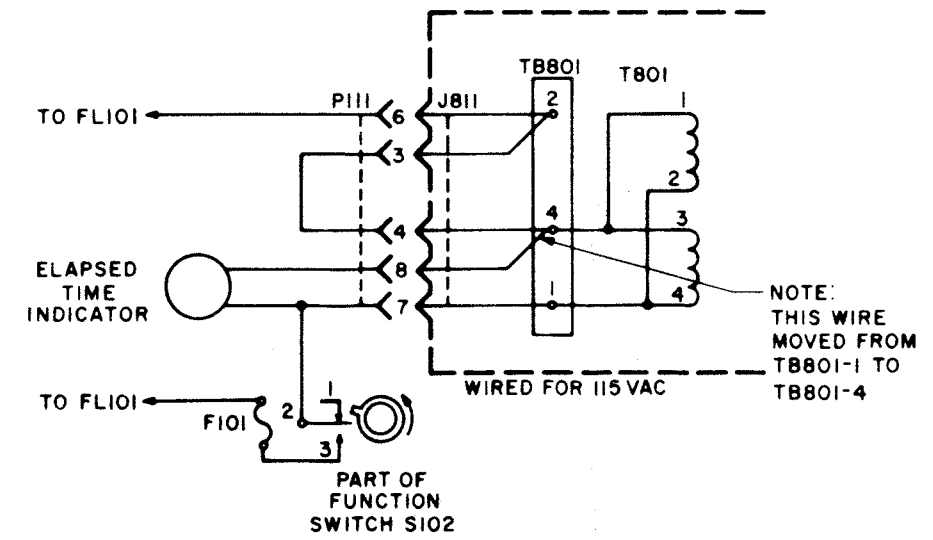
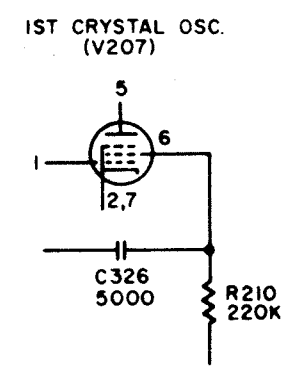
FIELD CHANGE NO. 5 (EIB 664)  
ANTENNA INPUT MODIFIED ON  
SHIPBOARD INSTALLATIONS -  
USE J103 AS ANTENNA INPUT  
JACK. REVERSE CABLES TO J105  
AND J106



RF-IF B+ RECTIFIER  
ALTERNATE CIRCUIT  
FIELD CHANGE NO. 6 (EIB 702)  
CONVERSION TO CRYSTAL DIODES



FIELD CHANGE NO. 7  
CONVERSION OF R702 AND R210



FIELD CHANGE NO. 8  
PROVIDES ELAPSED TIME INDICATOR

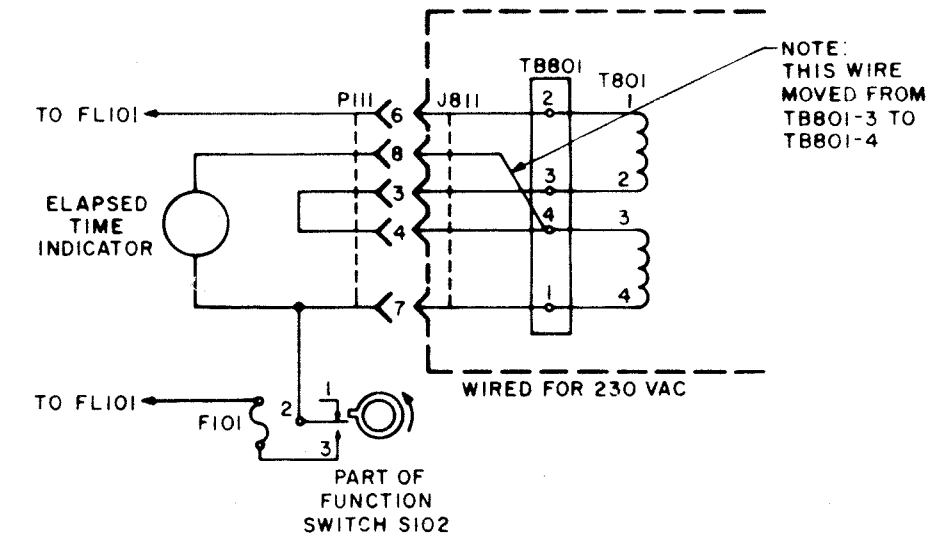


Figure 5-15. Field Changes

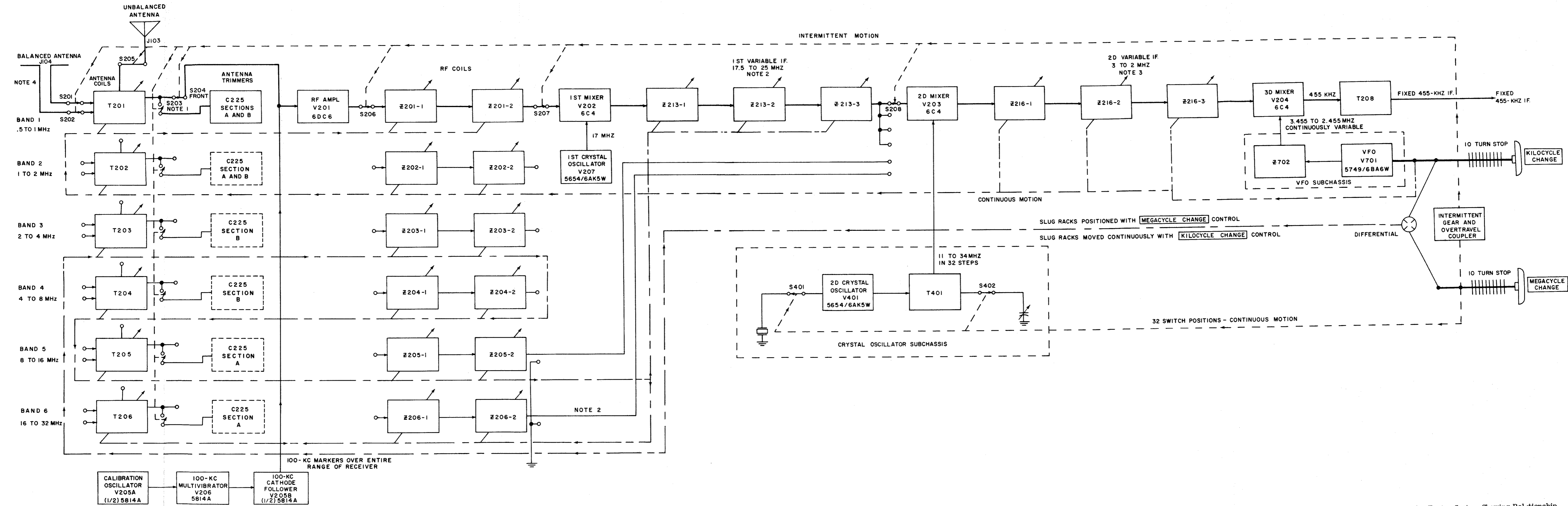


Figure 6-34. Tuning System Showing Relationship of Stages, Block Diagram

GENERAL NOTE:

- A. PARTS AND SECTIONS WITH 200 SERIES REFERENCE SYMBOLS ARE LOCATED IN THE RF SUBCHASSIS.

SPECIFIC NOTES:

1. THE 2-SECTION ANTENNA TRIMMER CAPACITOR C225 IS SWITCHED BY S203 AS FOLLOWS:  
  
BANDS 1 AND 2 - SECTIONS A AND B  
BANDS 3 AND 4 - SECTION B  
BANDS 5 AND 6 - SECTION A
2. 1ST VARIABLE IF (V202 AND V207) USED ONLY FROM 0.5 TO 8MHZ (BAND 1 THROUGH 4). OUTPUT OF V201 AND 8 TO 32 MHZ RF COILS FED DIRECTLY INTO V203 WHEN OPERATING FROM 8 TO 32 MHZ.
3. DOES NOT APPLY TO 0.5 TO 1 MHZ BAND. ON 0.5 TO 1 MHZ BAND FREQUENCY RANGE IS 2.5 TO 2 MHZ.
4. FC 5 MODIFIES ANTENNA CONNECTION FOR SHIPBOARD INSTALLATIONS. SEE FIGURE 5-14.



ZONING FOR RF GEAR TRAIN ASSEMBLY, EXPLODED VIEW FIGURE 6-36 (Cont)

INDEX NO.	LOCATION	PART NAME	REFERENCE SYMBOL
180	7E	Pressed rear plate	A208
181	7E	No. 6 split lockwasher	H203
182	7E	6-32 by 3/8-inch machine screw	H229
183	7E, 8E	8.0 to 16.0 MHz RF camshaft	0315-5
184	7E	1.0 to 2.0 MHz RF camshaft	0312-5
185	8E	1.0 to 2.0 MHz RF cam, rear	0312-6
186	8E	No. 6/0 taper pin	0312-7
187	8E	8.0 to 16.0 MHz RF cam, rear	0315-6
188	8E	No. 6/0 taper pin	0315-7

NOTES

- HOLES ON PLATES ARE MARKED WITH LETTERS THAT ARE USED IN THE TEXT FOR ASSEMBLY AND DISASSEMBLY OF GEAR TRAIN.

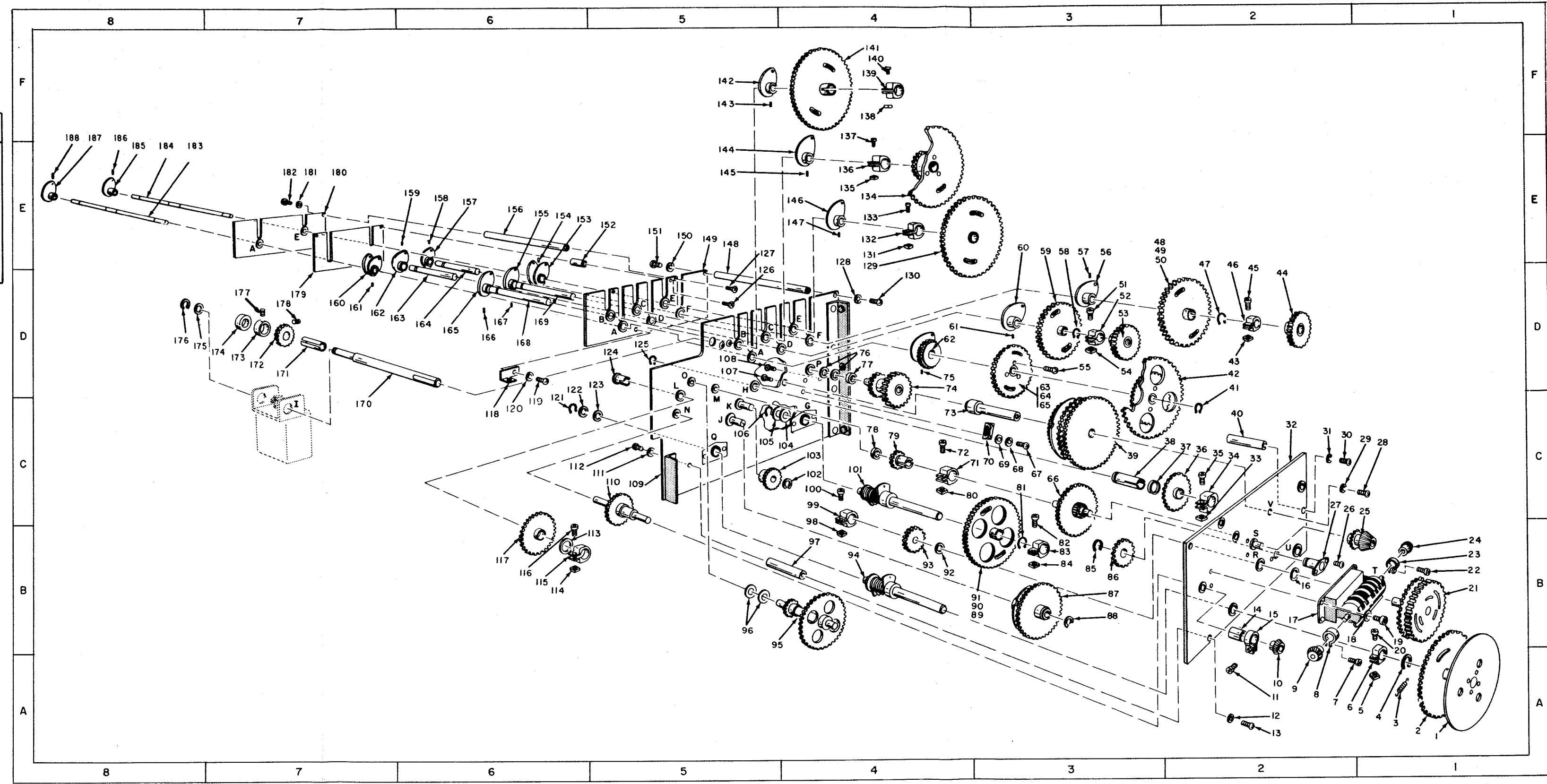


Figure 6-36. RF Gear Train Assembly, Exploded View