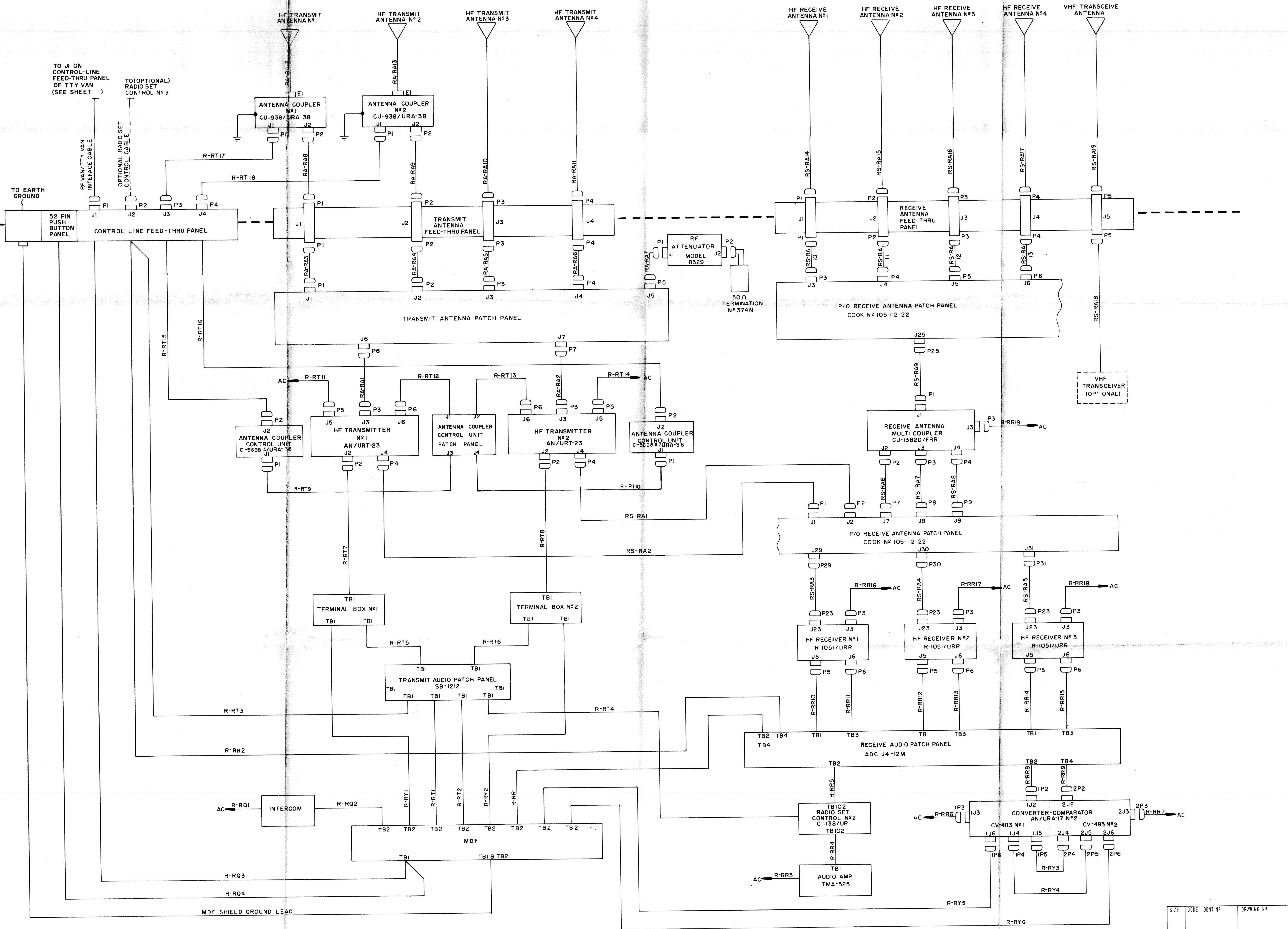
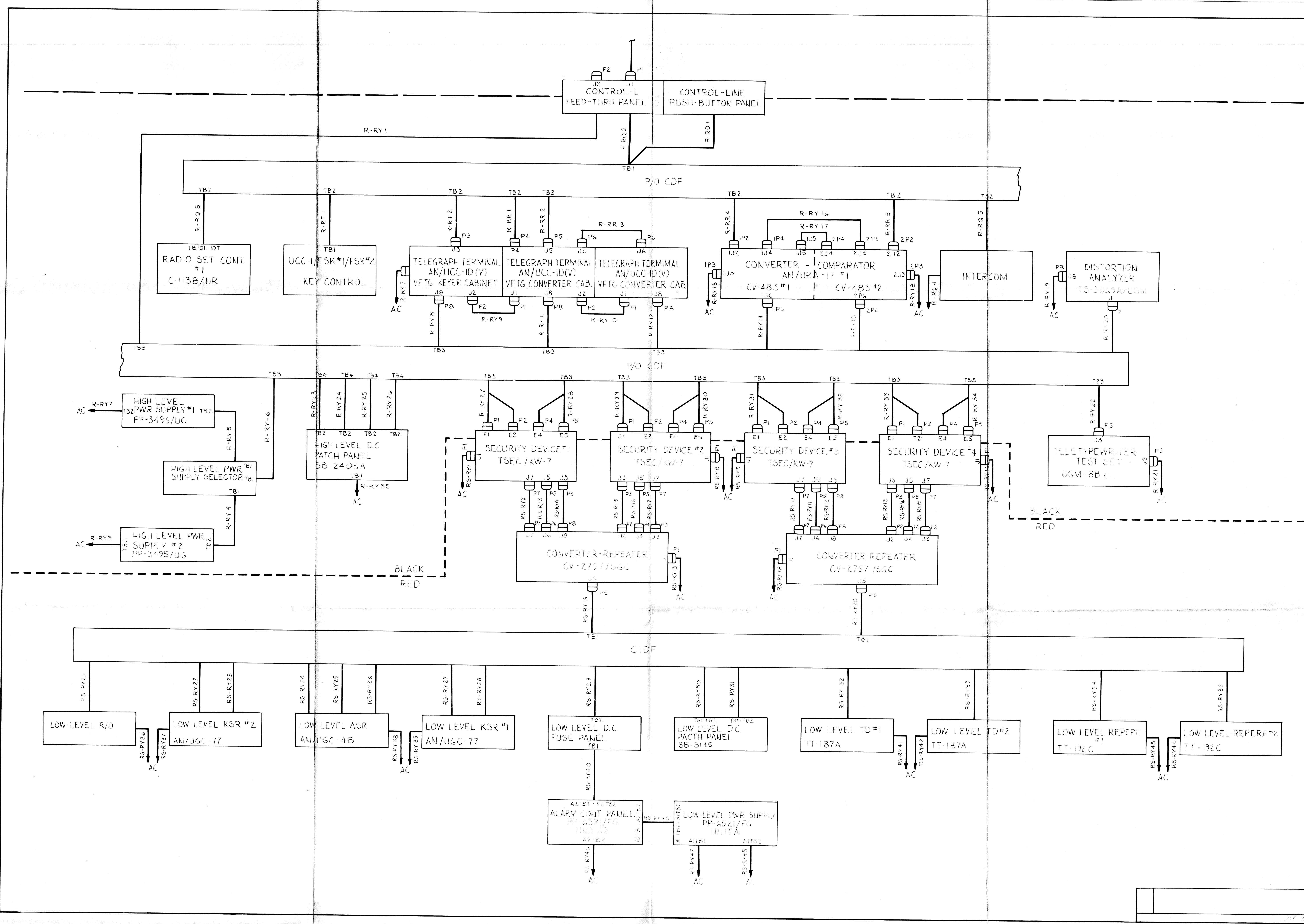


NOTES:

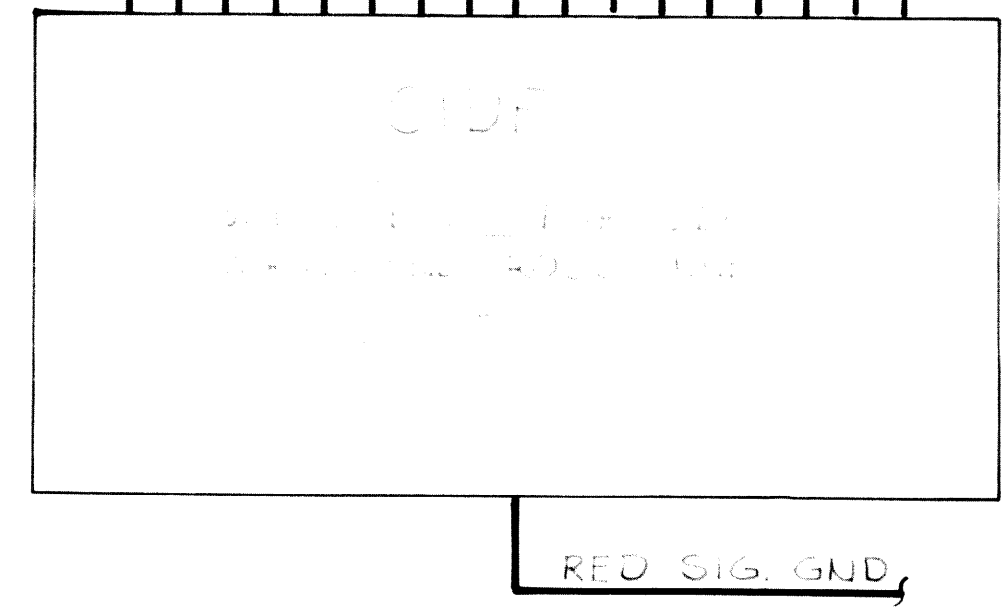
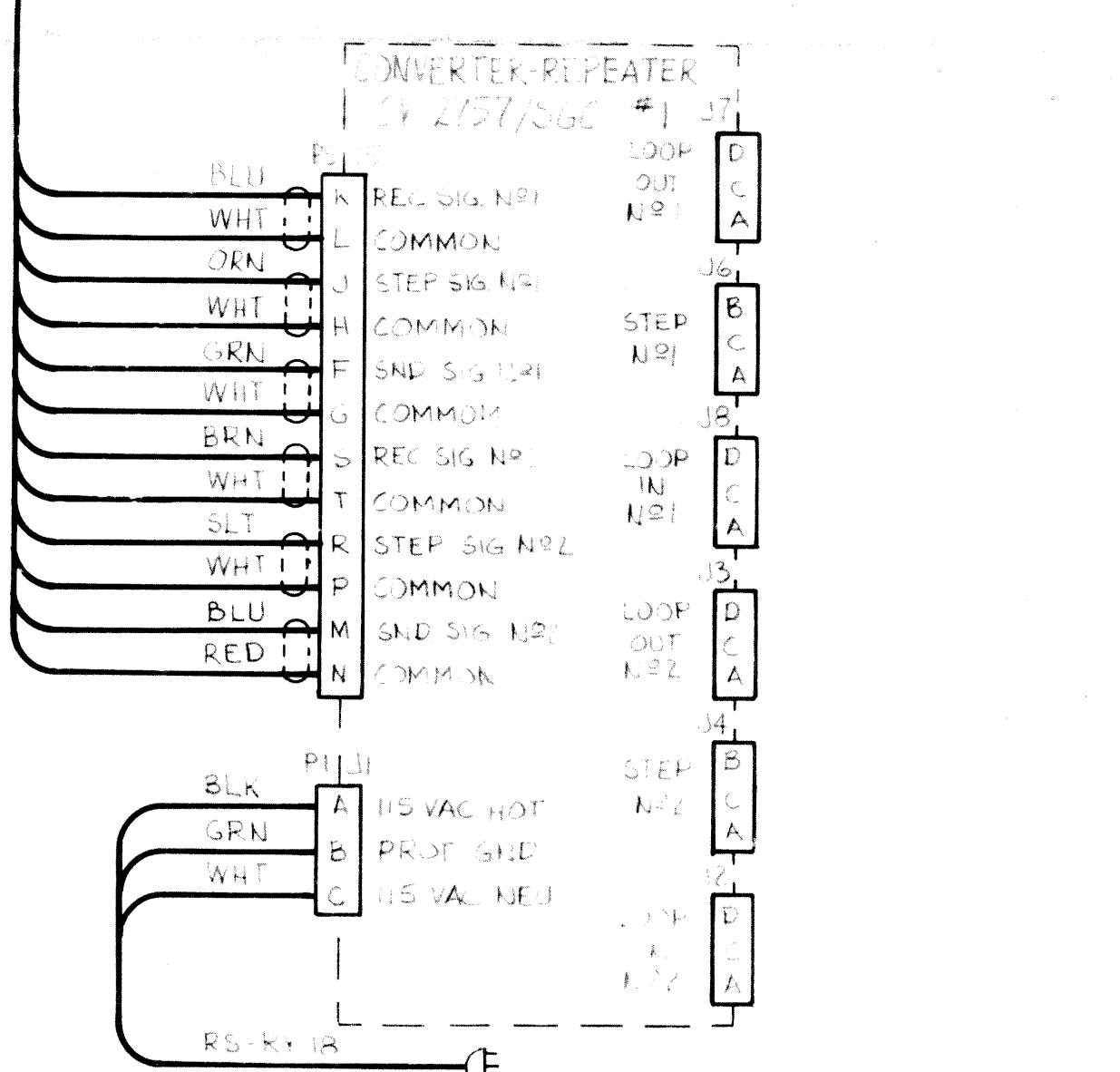
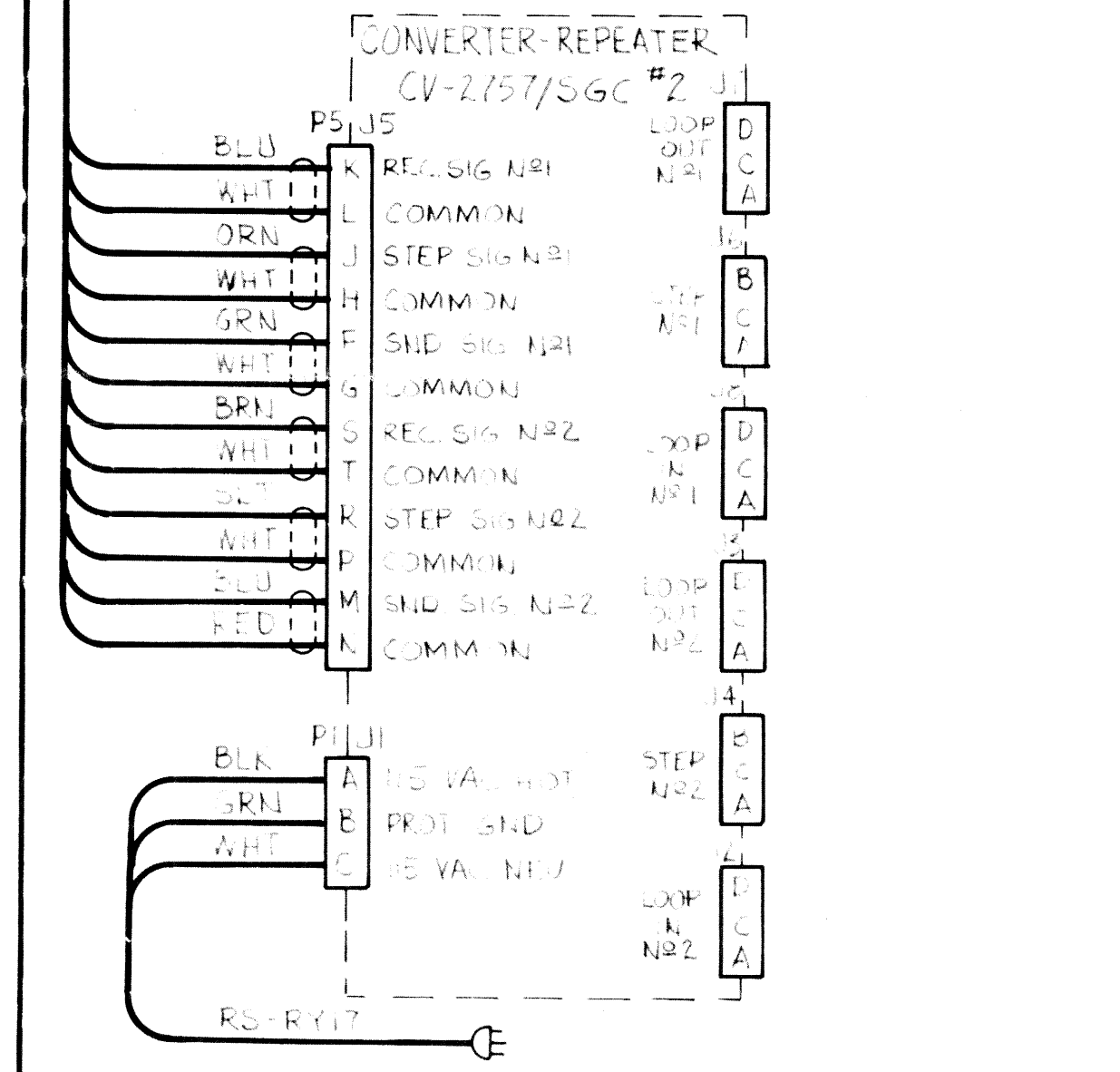
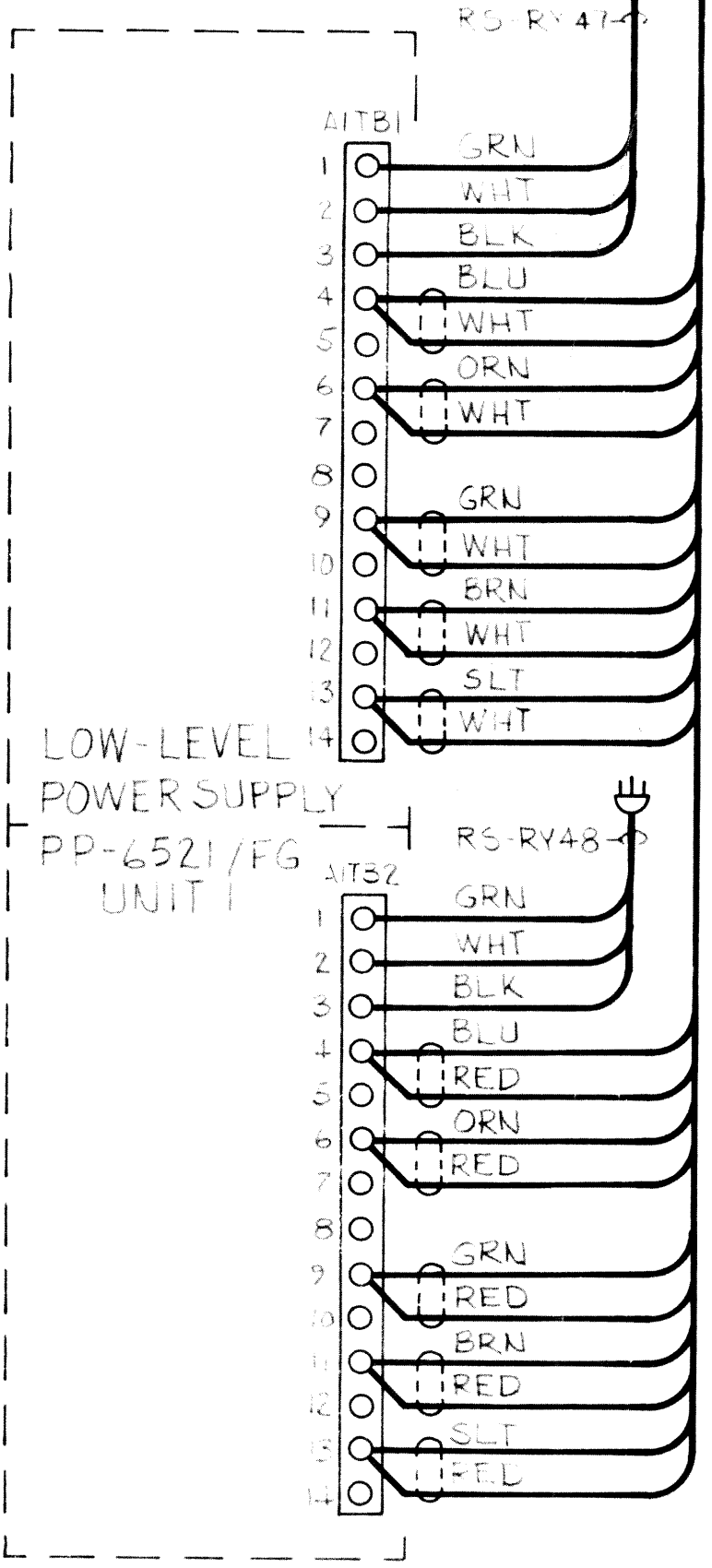
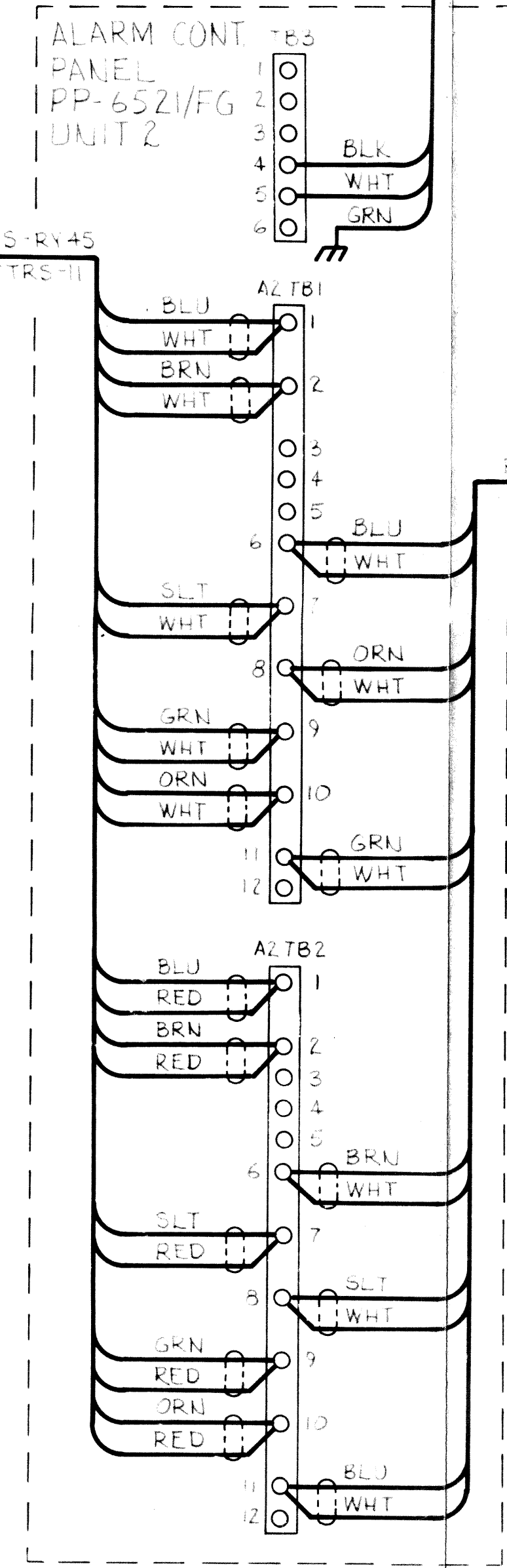
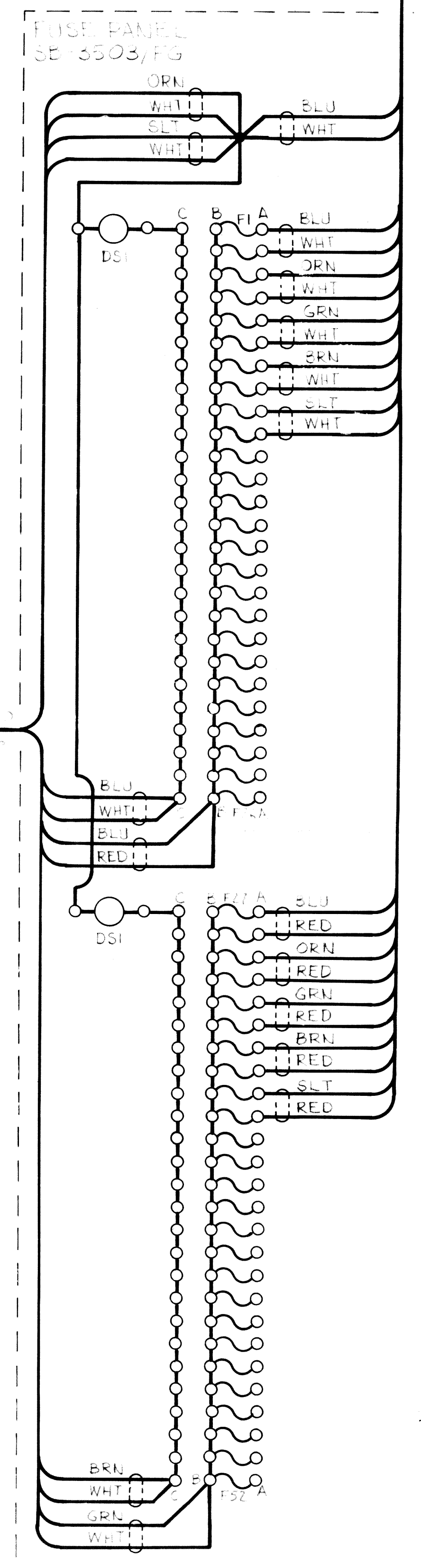
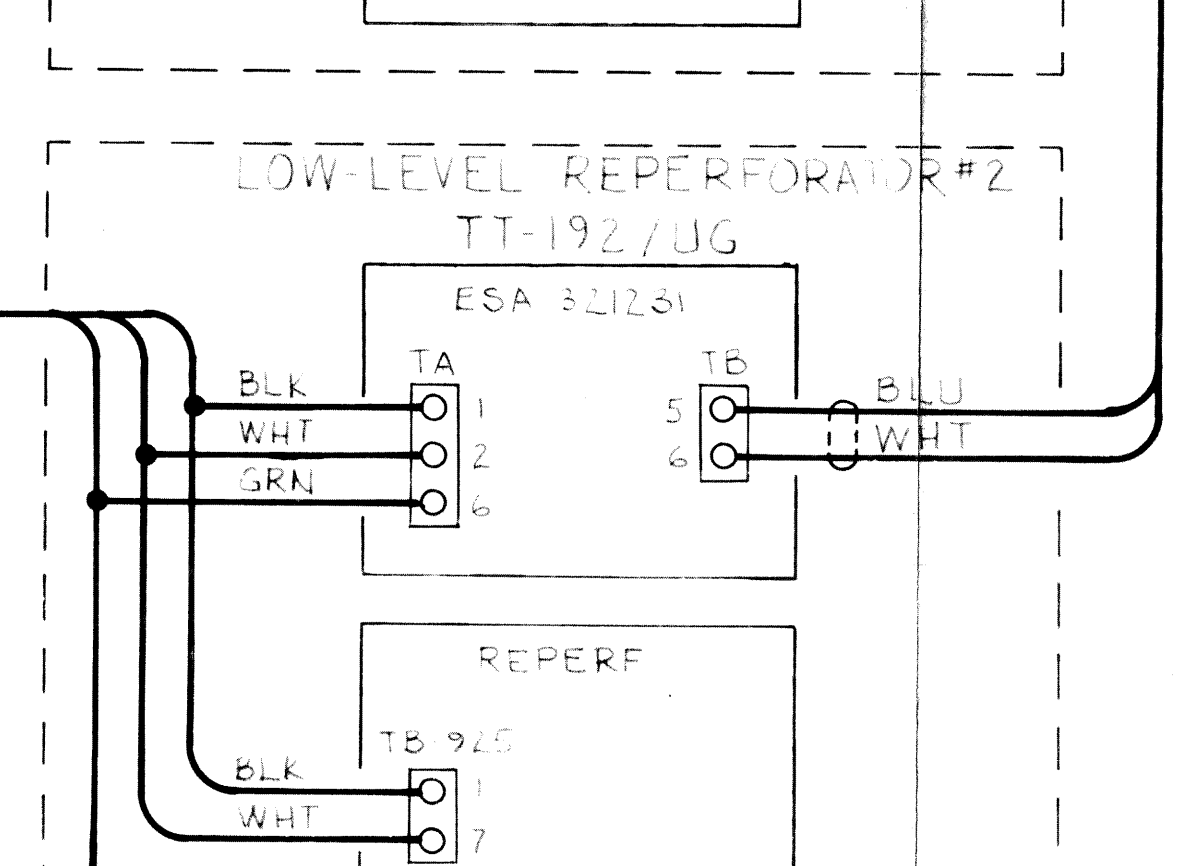
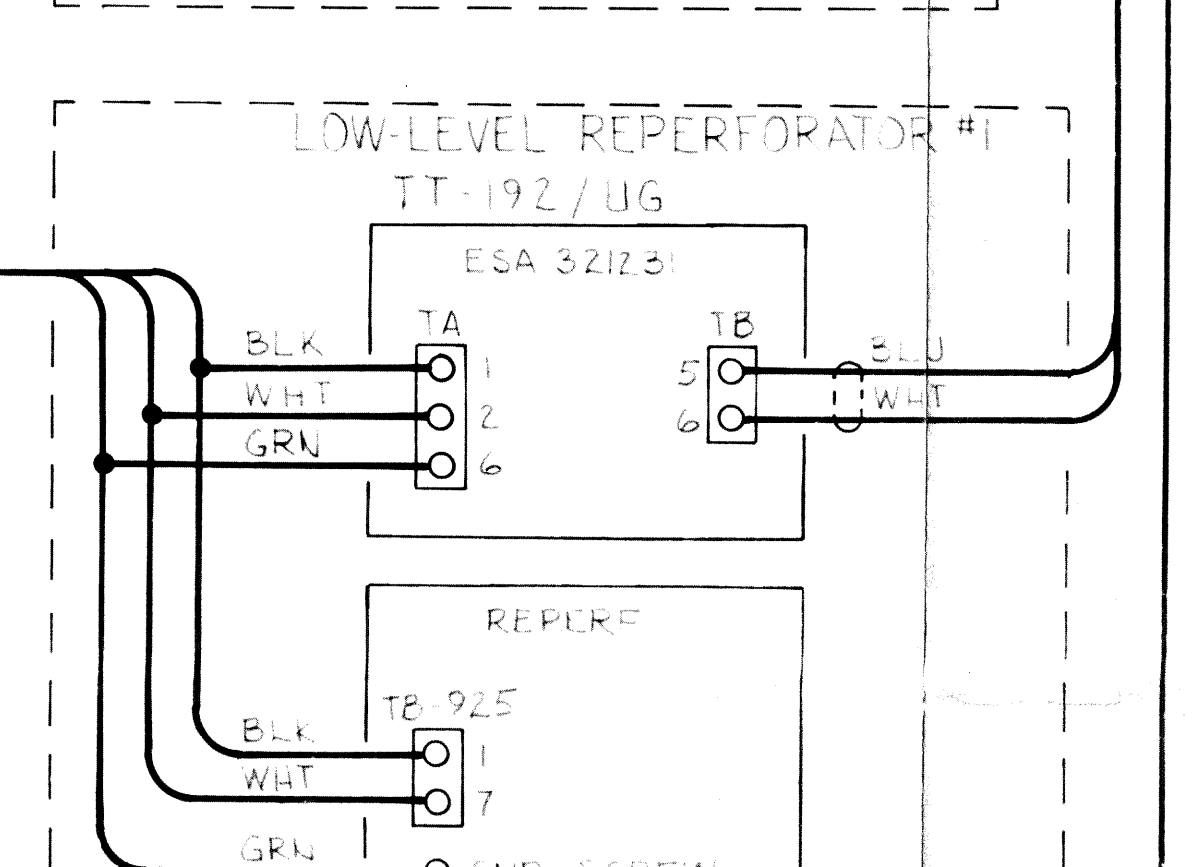
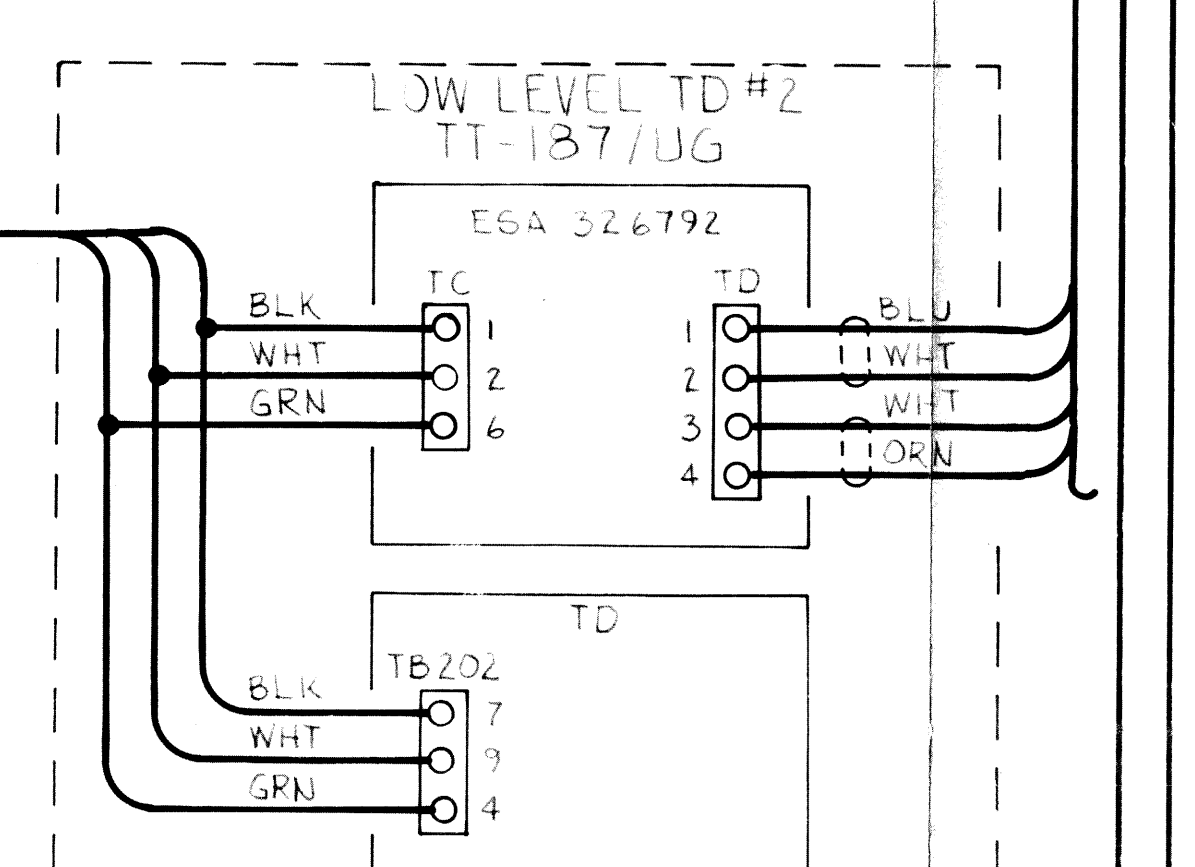
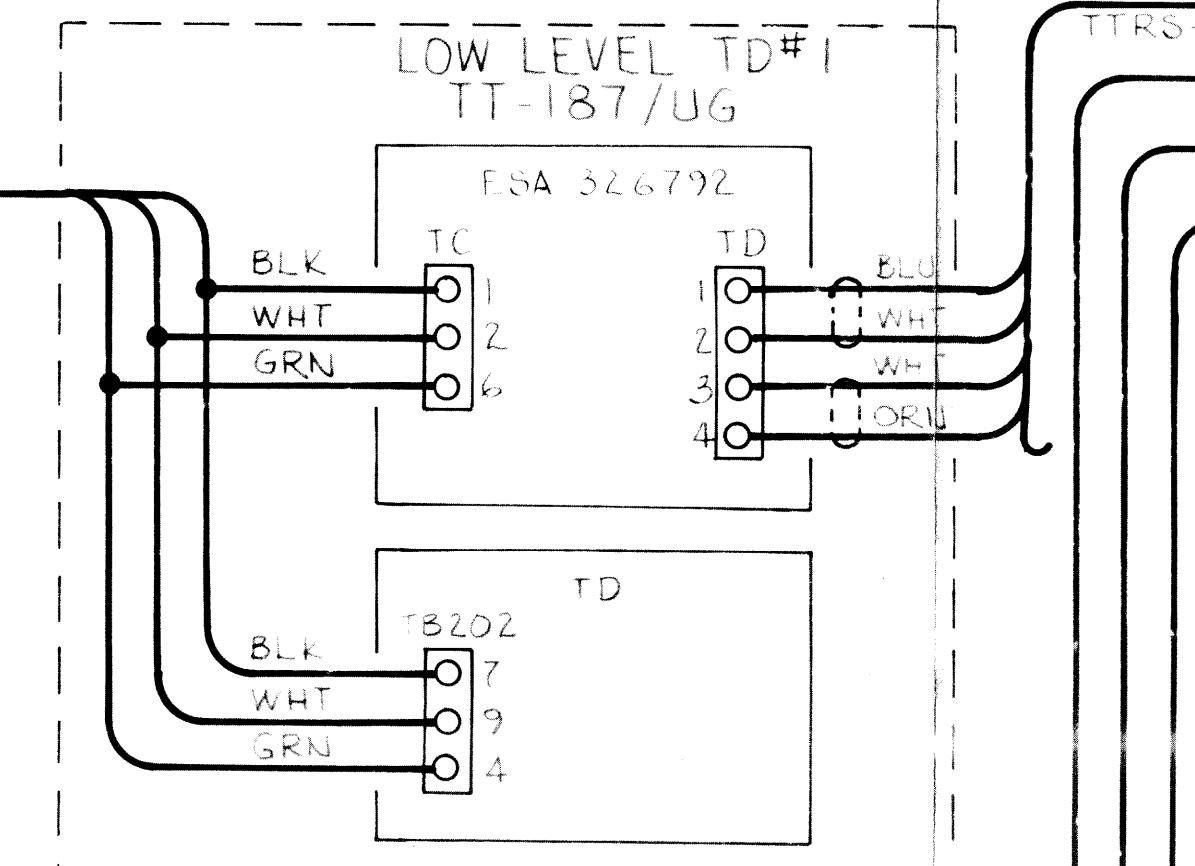
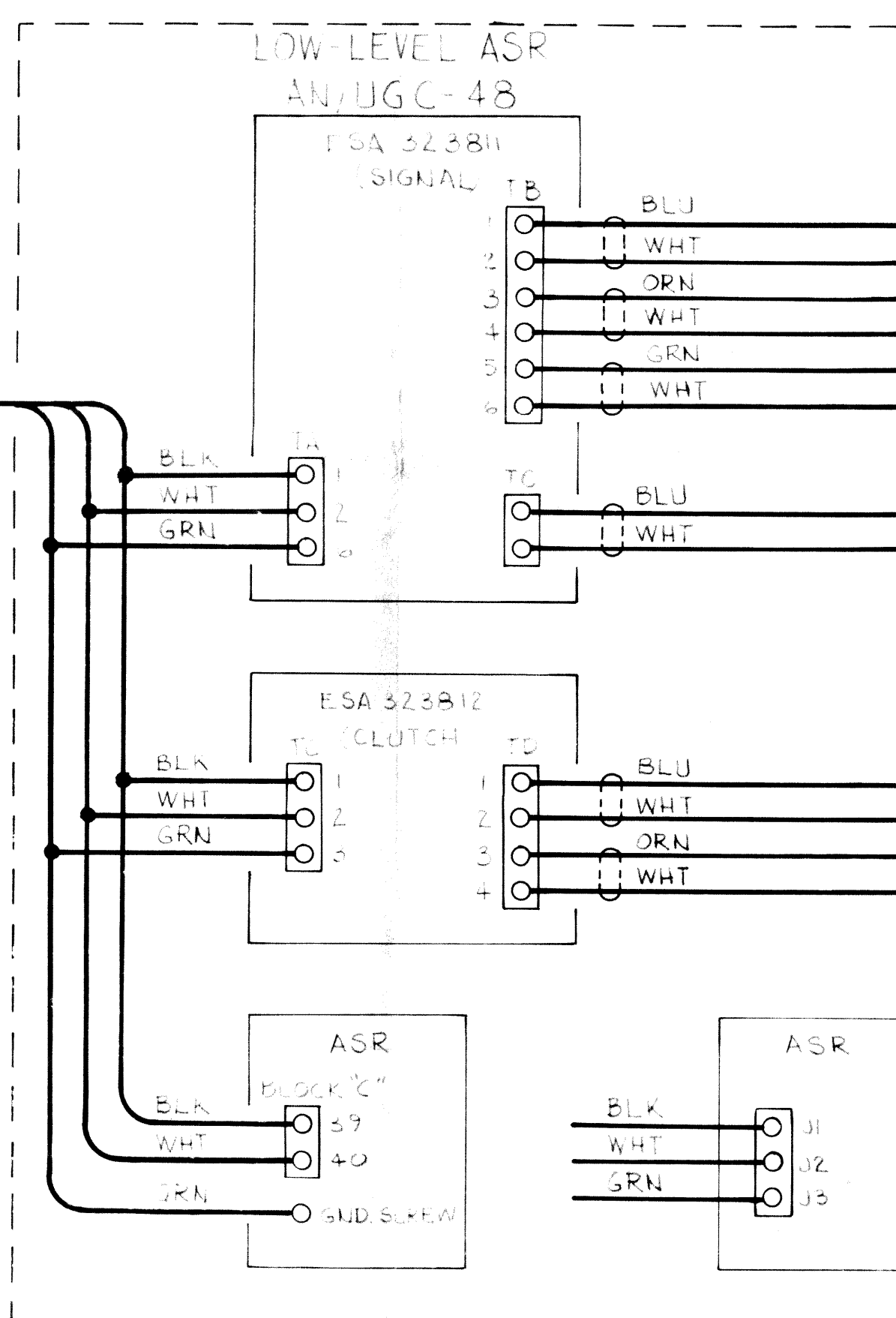
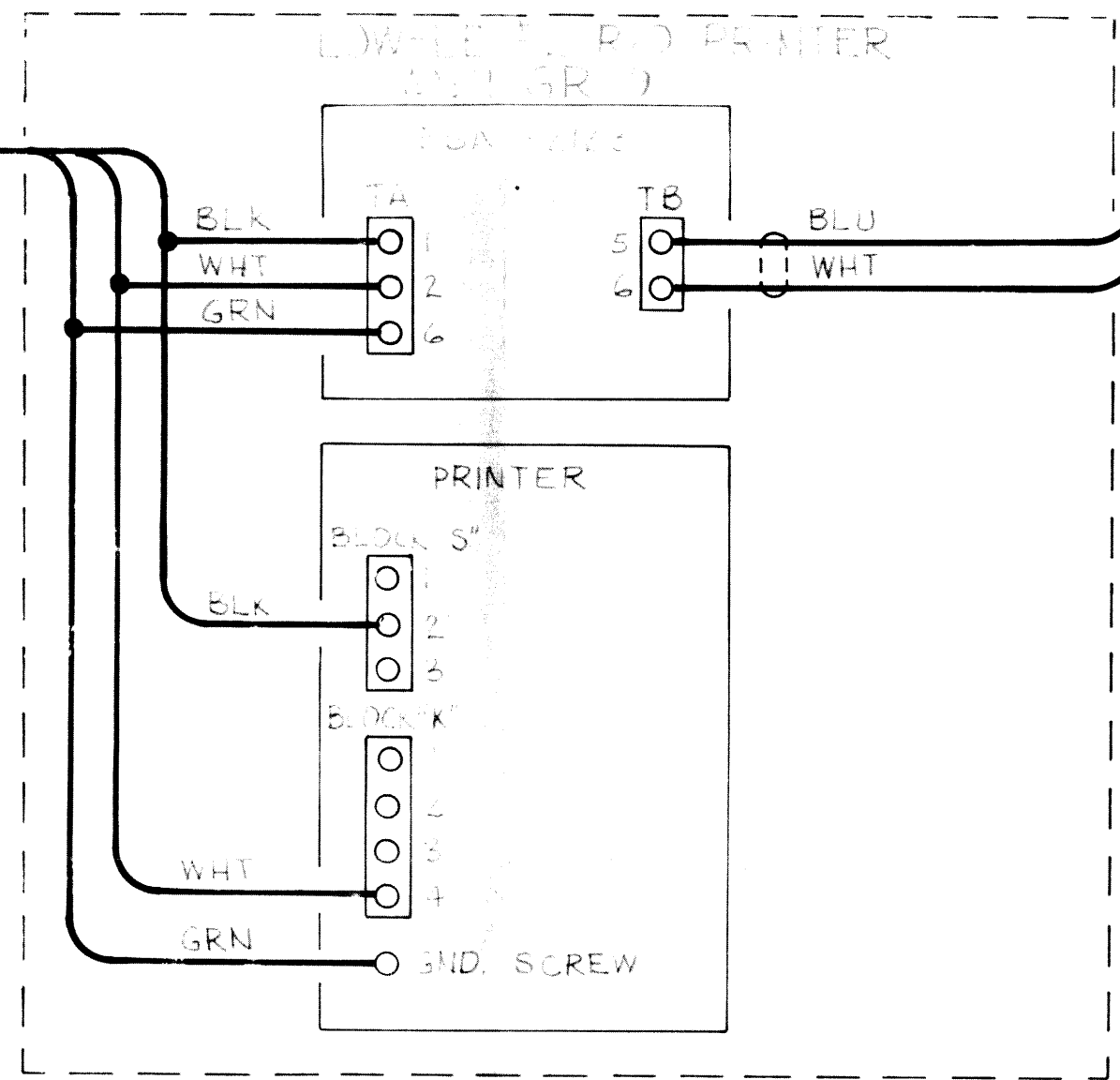
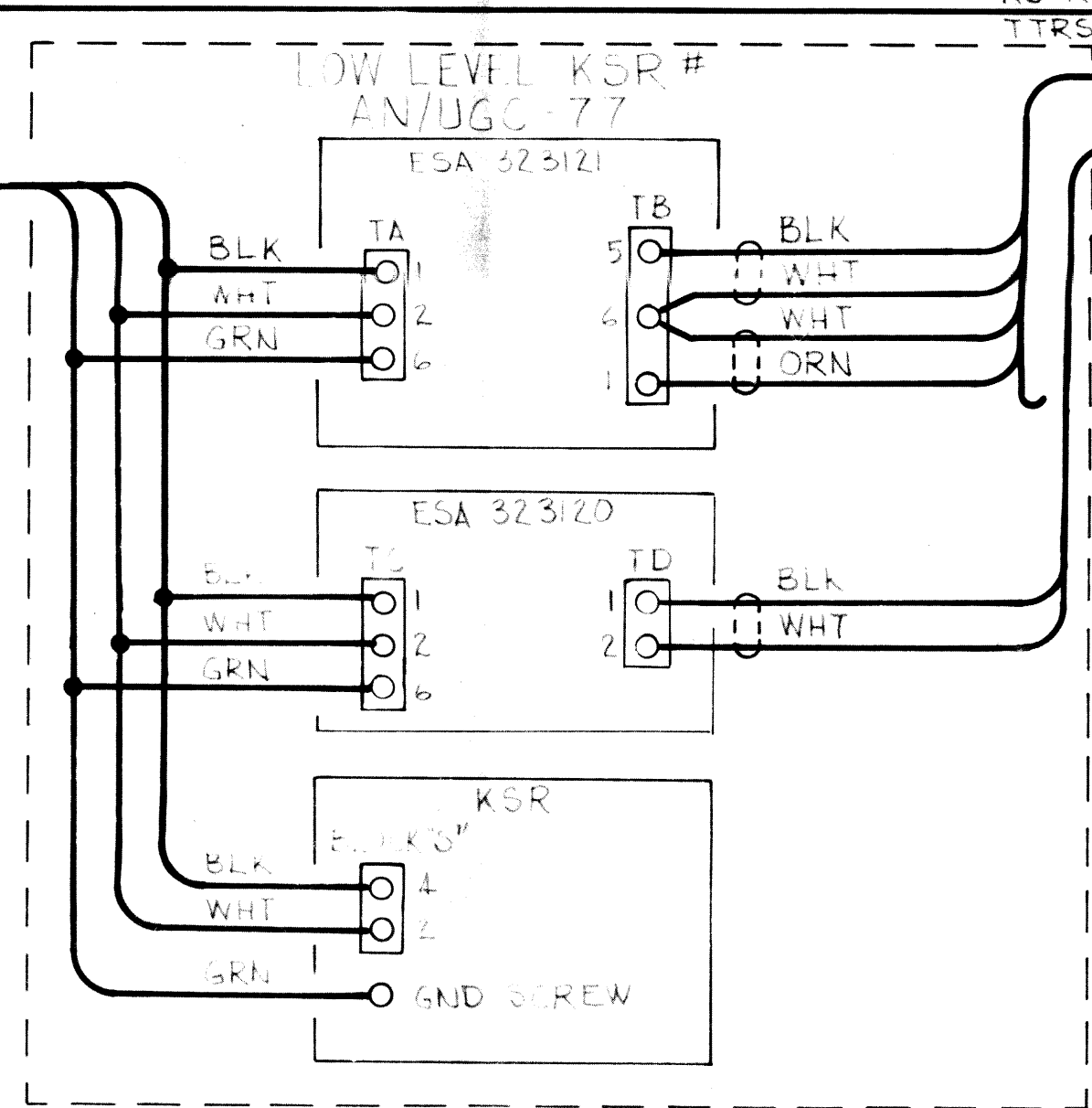
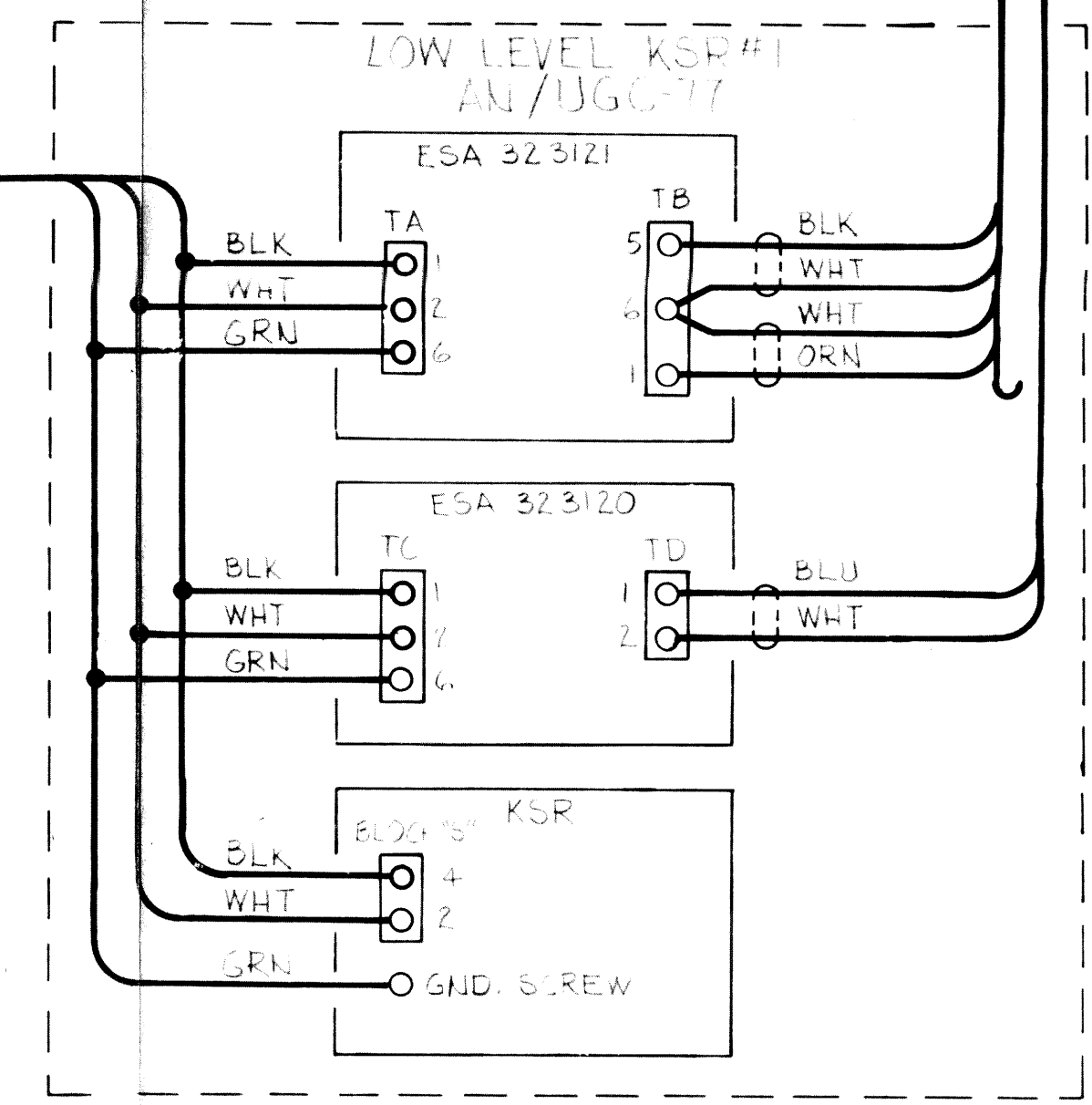
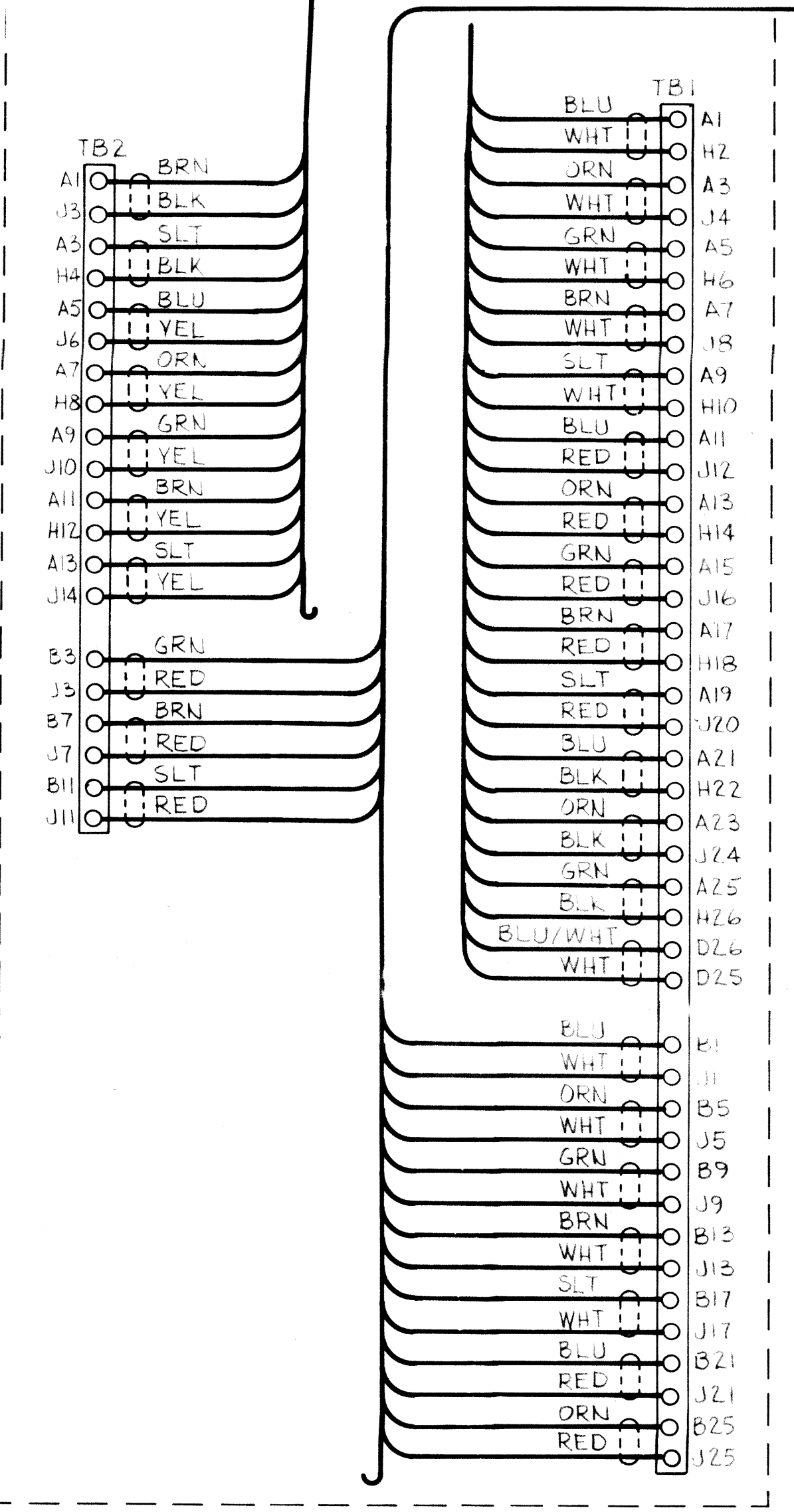
1. FACTORY CABLES SUPPLIED WITH AN/URT-23
2. RECOMMENDED CONTROL CABLE - 15 CONDUCTOR, SIZE 18, SHIELDED, PVC THERMOPLASTIC JACKETED, ALFA WIRE CORPORATION P/N 3415 OR EQUIV.
3. ALL UNUSED CABLE CONDUCTORS ARE TO BE FOLDED BACK AND TIED TO THE CABLE. THEY SHOULD BE OF SUFFICIENT LENGTH TO REACH THE FURTHERMOST TERMINAL SERVED BY THE CABLE TO WHICH THEY BELONG.
4. ALL POWER CABLE SIZE TO BE DETERMINED BY THE INSTALLING FACILITY.
5. REFER TO INSTALLATION SECTION OF AN/URT-23A(V) FOR INSTRUCTIONS TO WIRE THE AN/URT-23A(V) FOR 208 VAC OPERATION.
6. RECOMMENDED CONTROL CABLE - 37 CONDUCTOR, SIZE 18, SHIELDED, PVC THERMOPLASTIC JACKETED, FOUND IN GSA CATALOG FOR CONTRACT GS-005-06059 - RF-613 P/N WSO-0004-001 OR EQUIV. MAXIMUM RECOMMENDED CABLE LENGTH - 500 FT.
7. SHIELDS ARE CONNECTED TO TERMINALS "J" OR "K" OF THE ROW ON WHICH THEIR RESPECTIVE PAIR IS TERMINATED. "J" AND "K" TERMINALS ARE STRAPPED TOGETHER AND GROUNDED TO THE MDF SHIELD GND. LEAD.

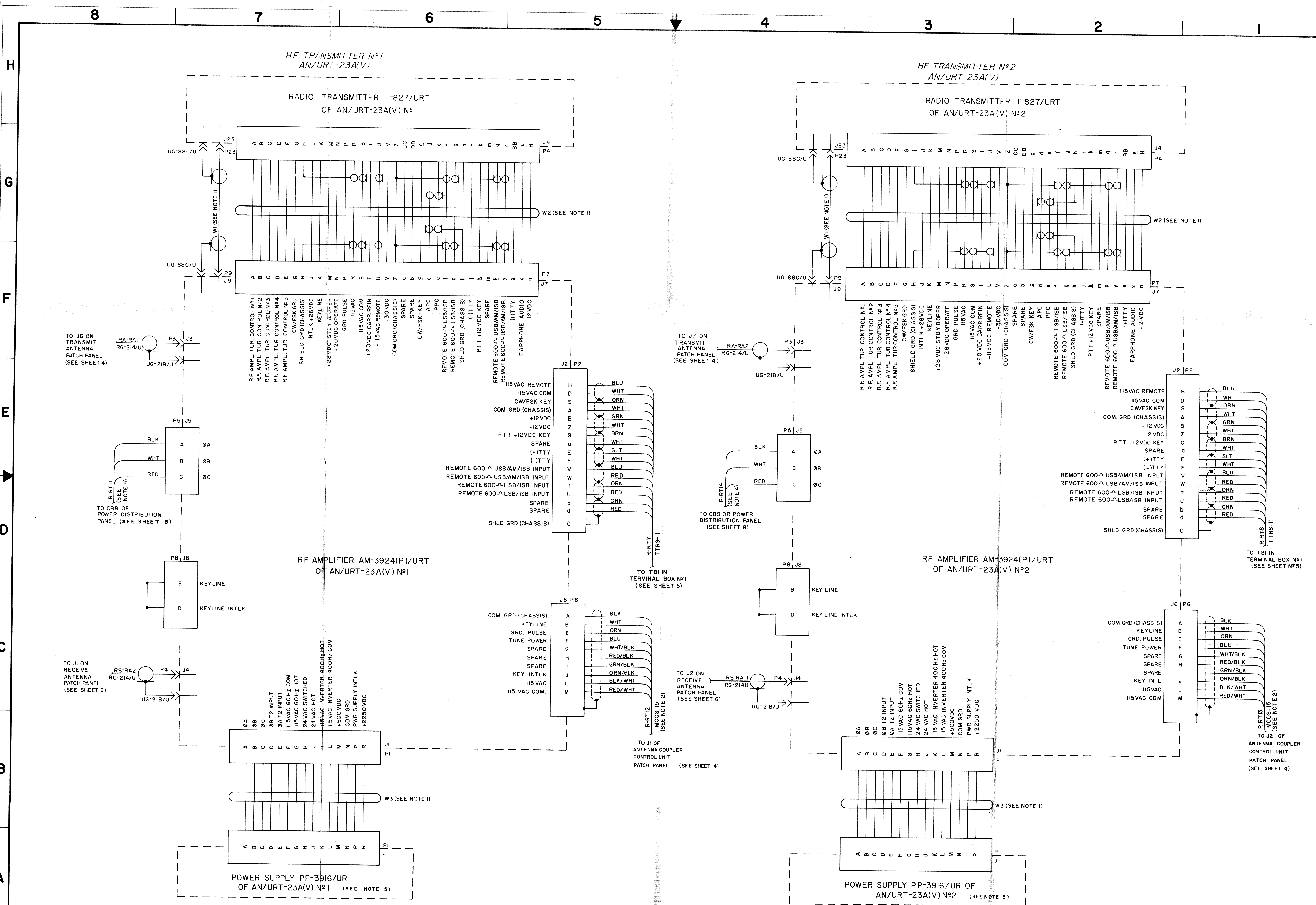
DATE	CODE IDENT. NO.	DRAWING NO.	REV.
SCALE	PROJ. NO.	SHEET	OF



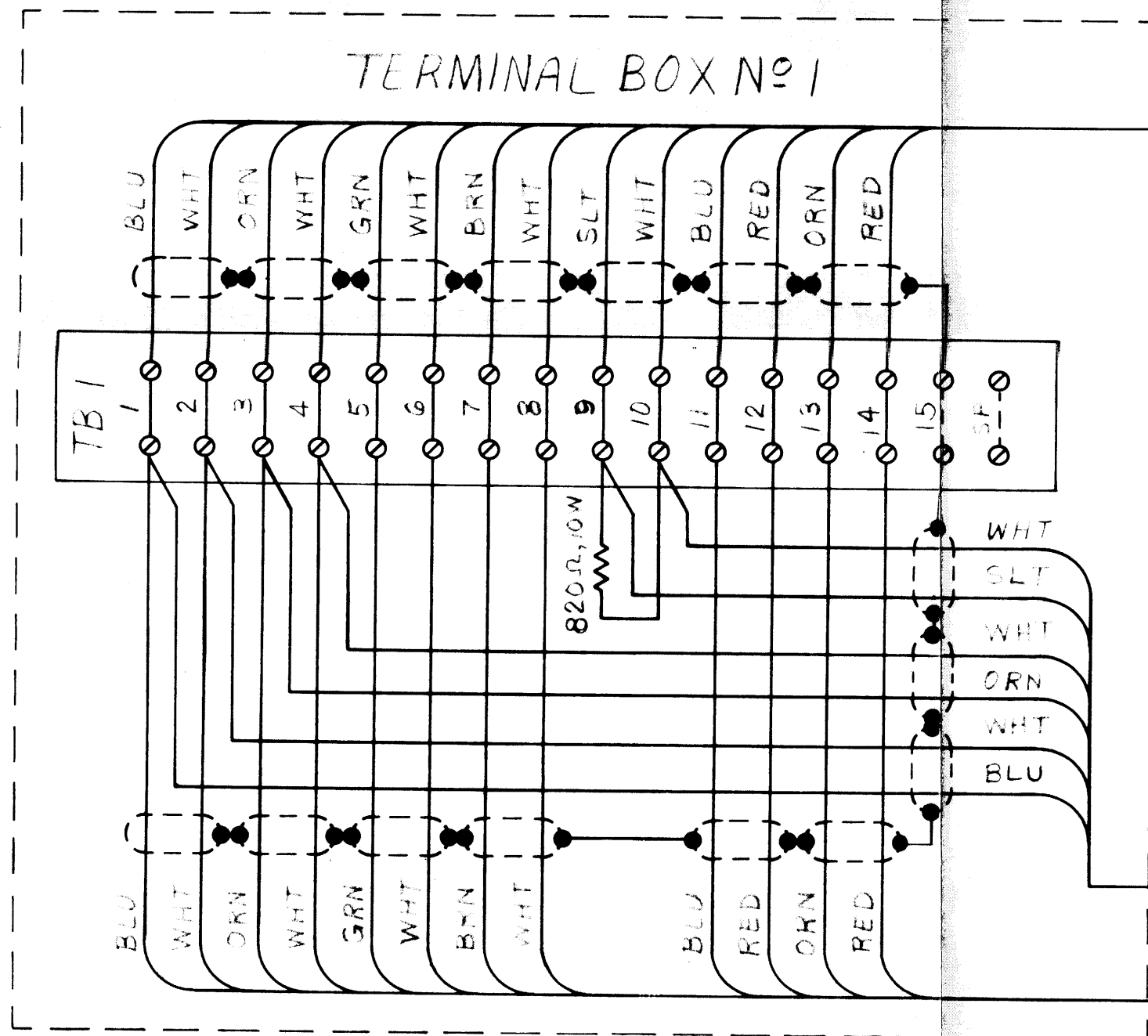


5B-3145/UG





SIZE	CODE IDENT N°	DRAWING N°	REV
SCALE	PROJ N°	SHEET 3 OF 8	

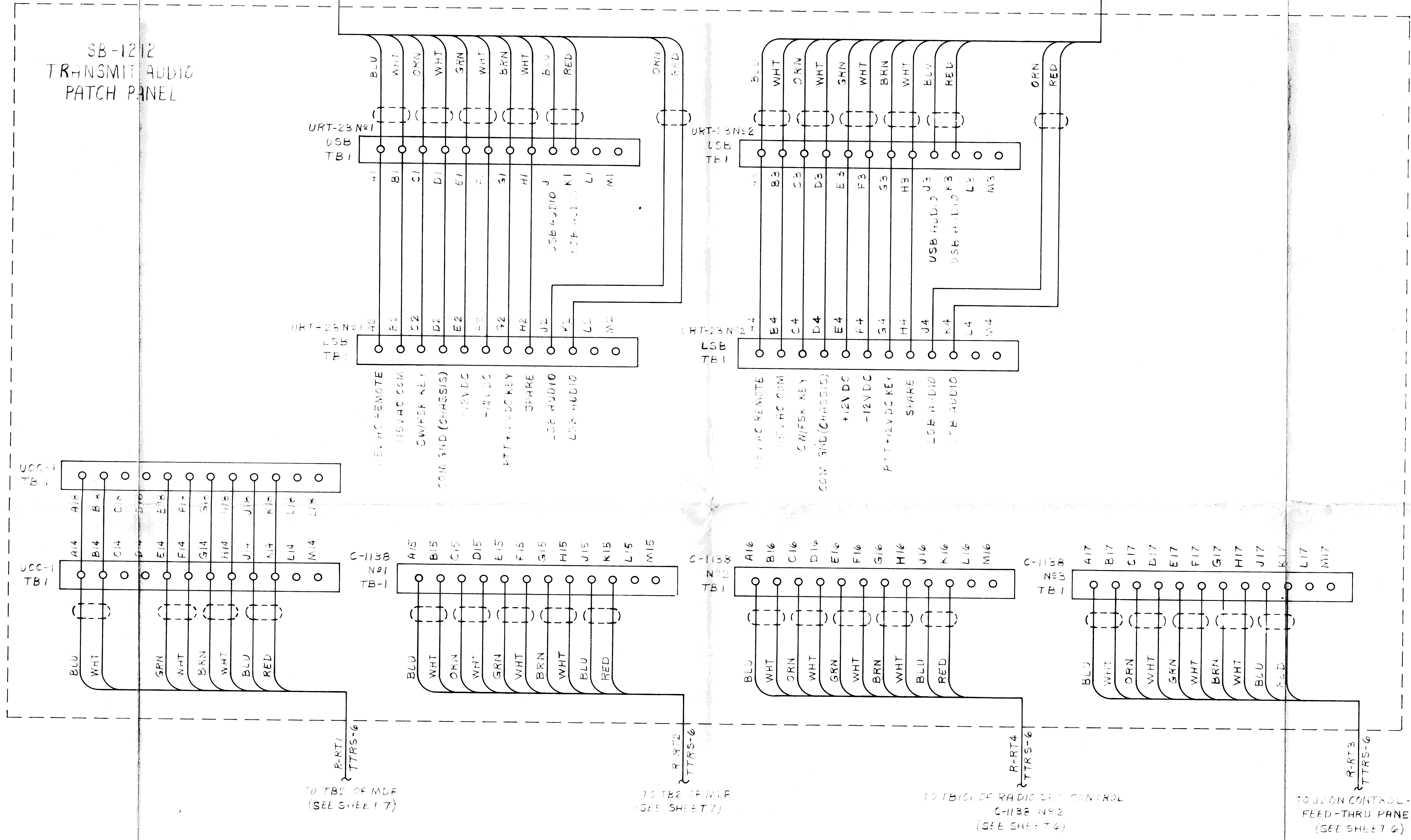
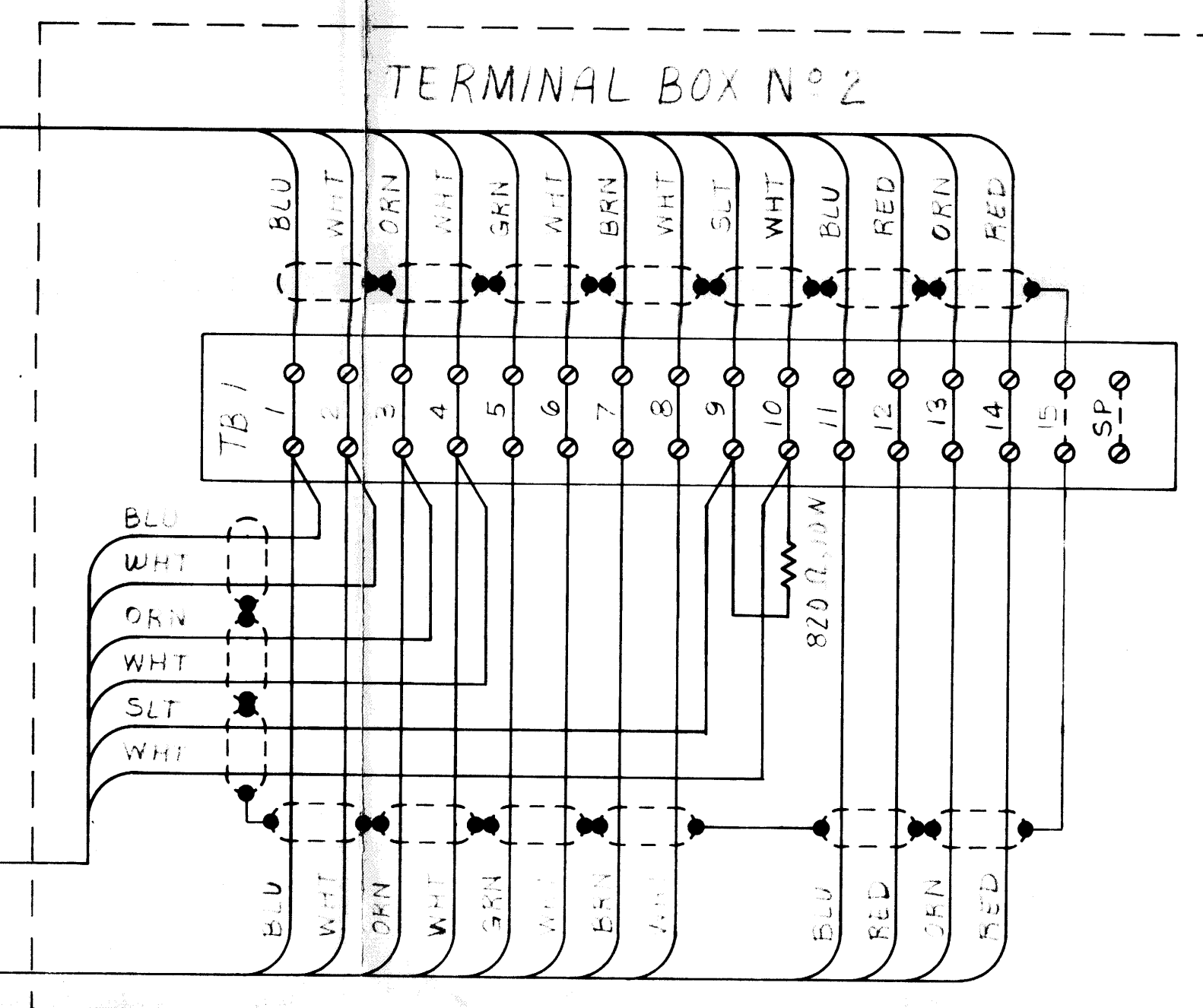


R-RT7
TTRS-11 TO J2 ON AM-3924(P)/URT
OF AN/URT-23A(V) N°1
(SEE SHEET 3)

R-RT8
TTRS-11 TO J2 ON AM-3924(P)/URT
OF AN/URT-23A(V) N°2
(SEE SHEET 3)

R-RY1
TTRS-6 TO TB2 OF MDF
(SEE SHEET 7)

R-RY2
TTRS-6 TO TB2 OF MDF
(SEE SHEET 7)

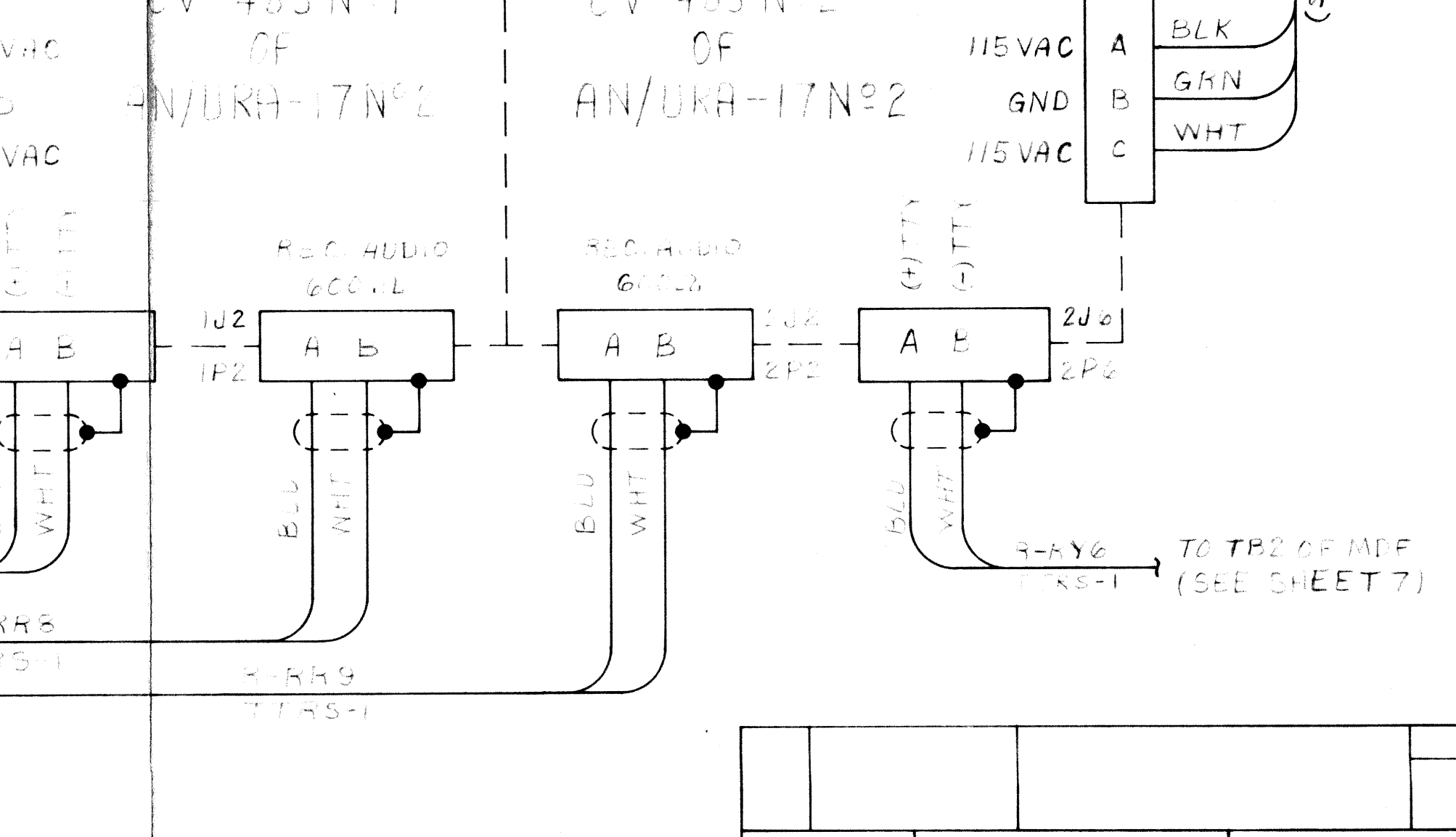
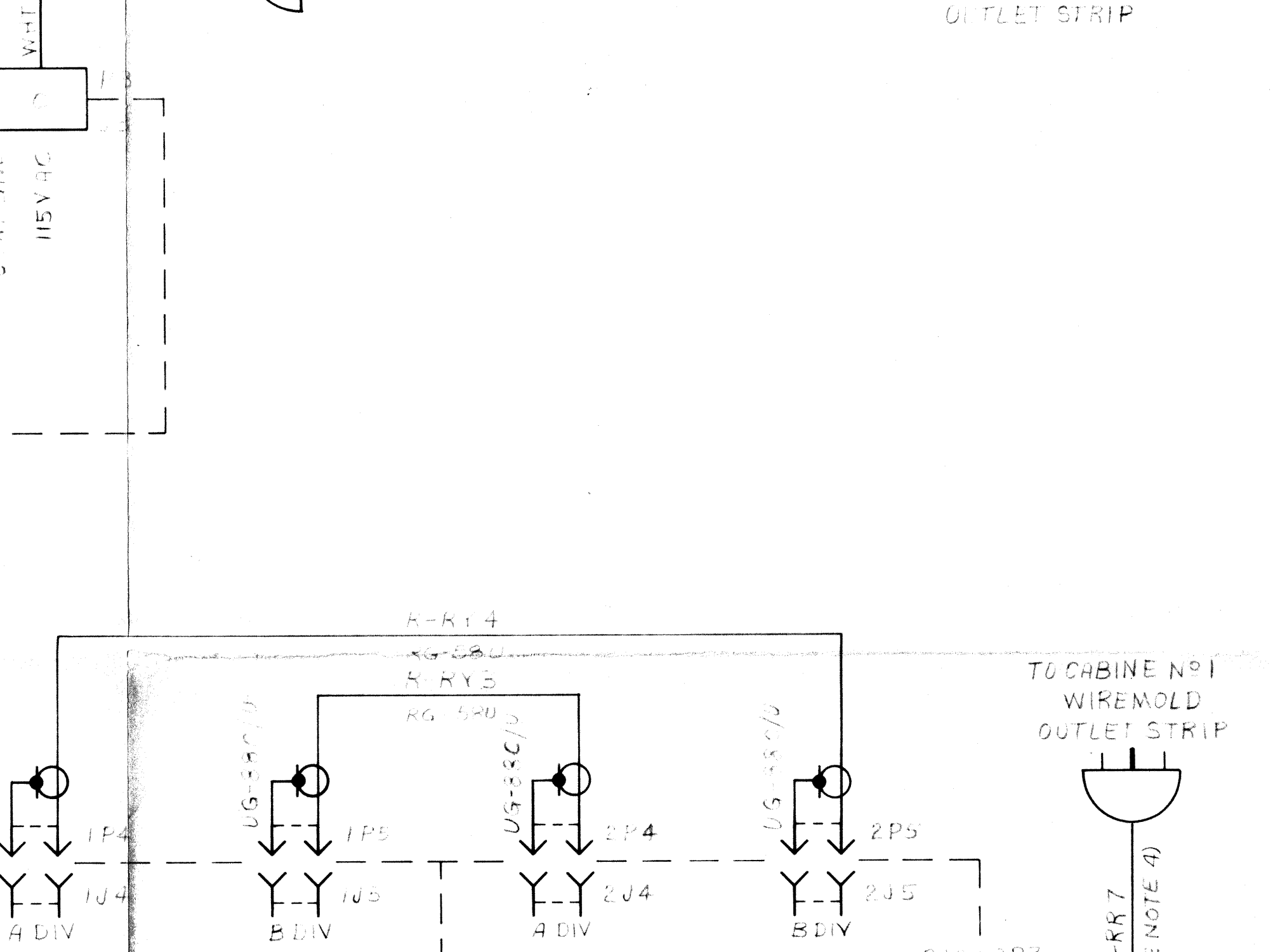
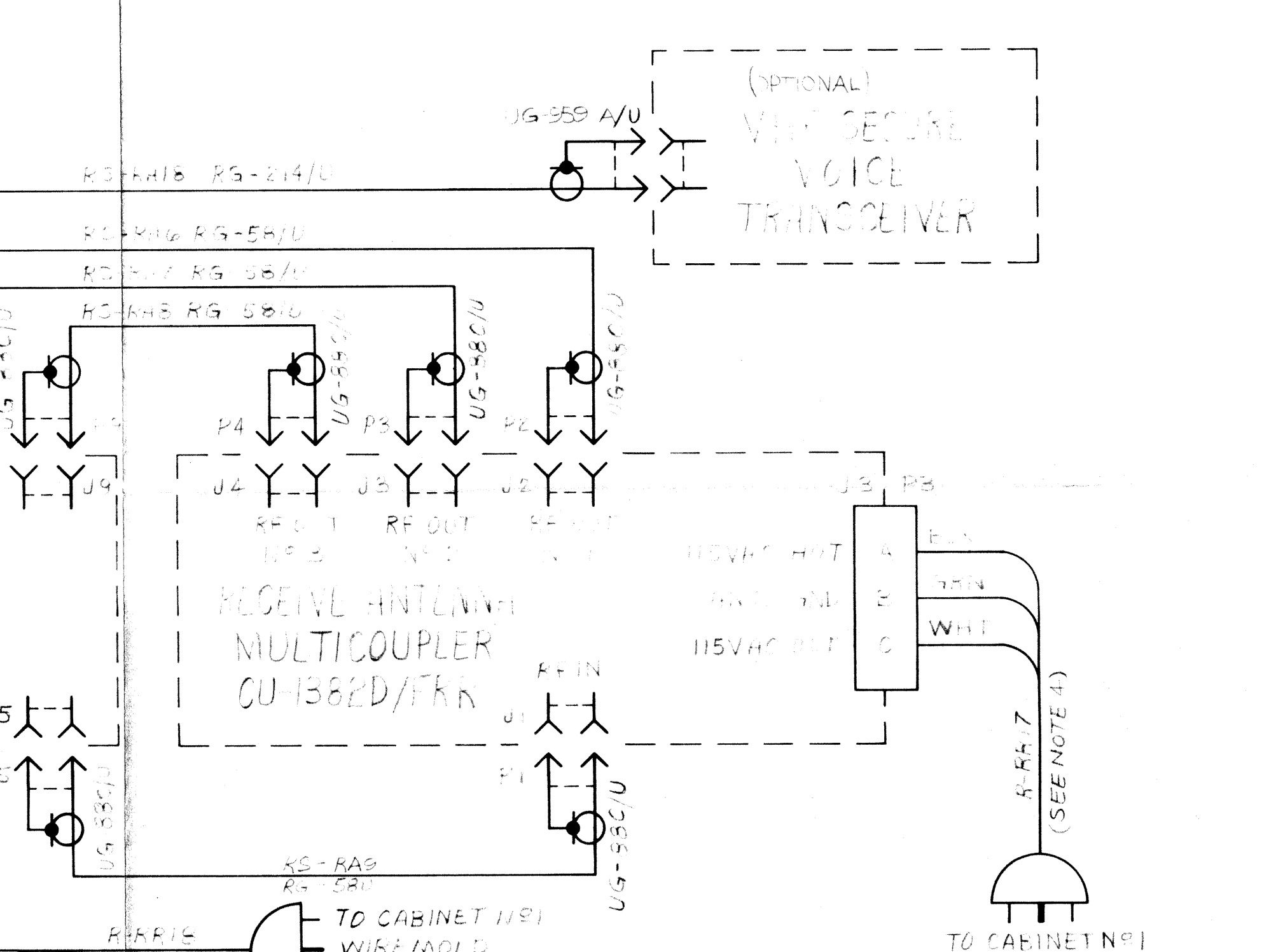
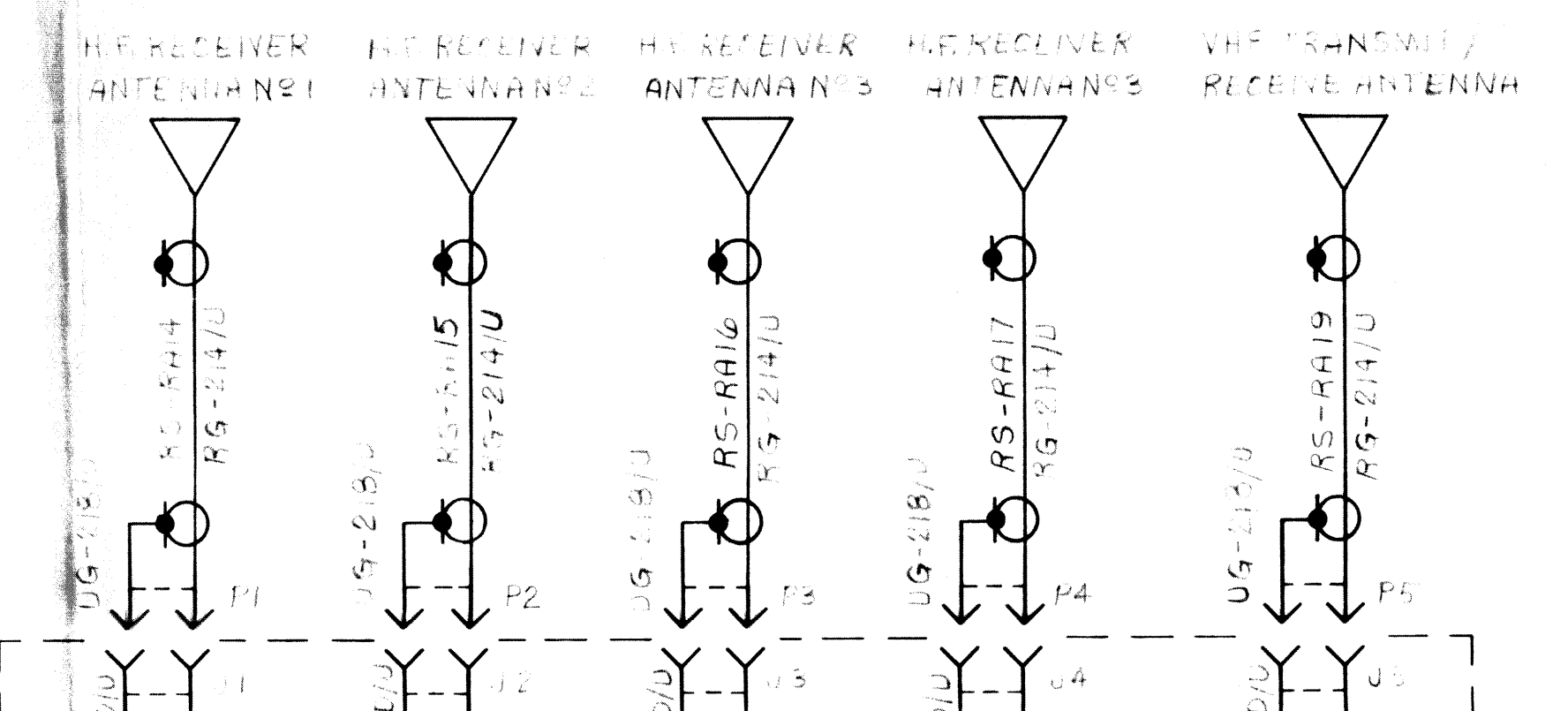
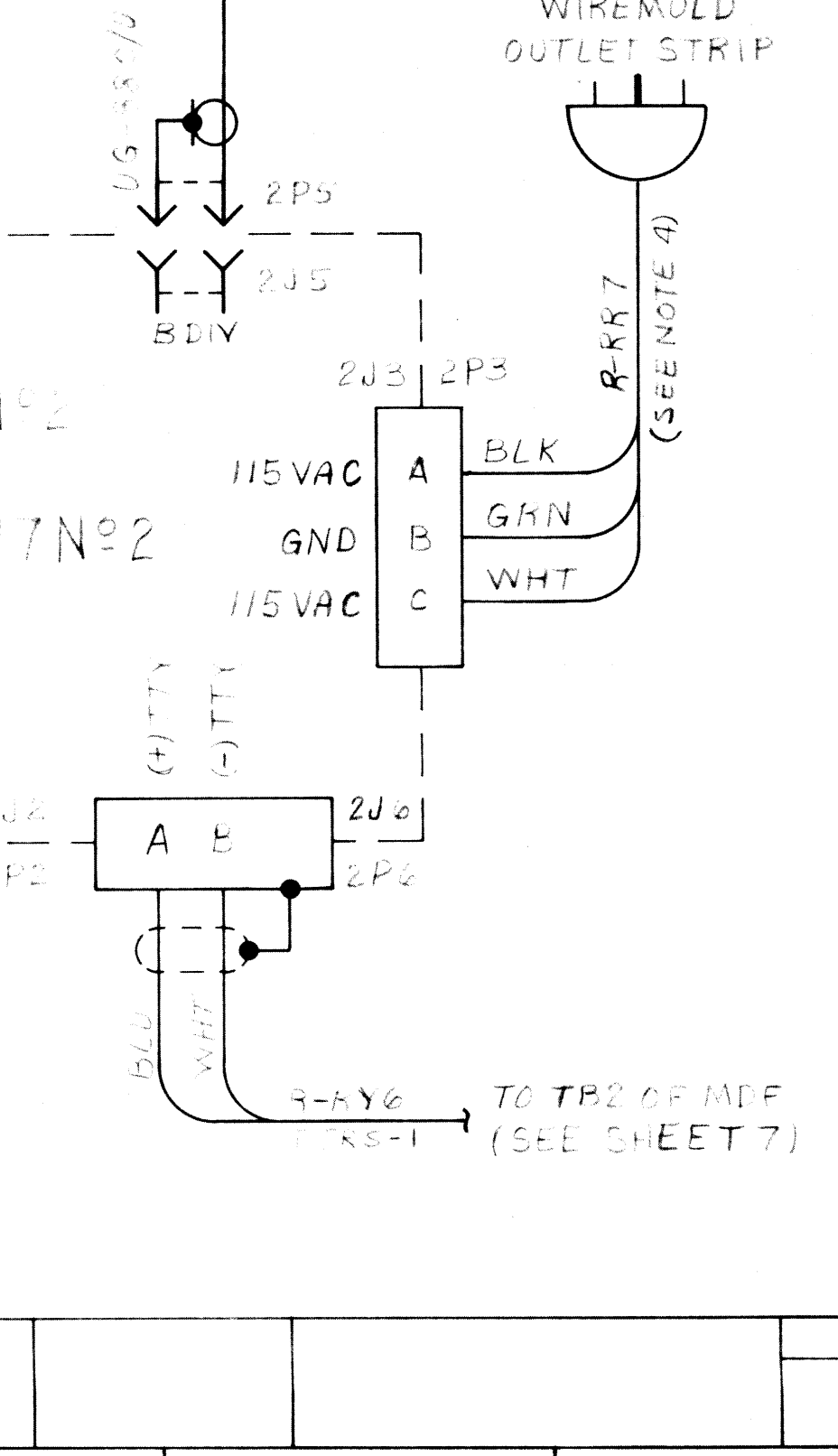
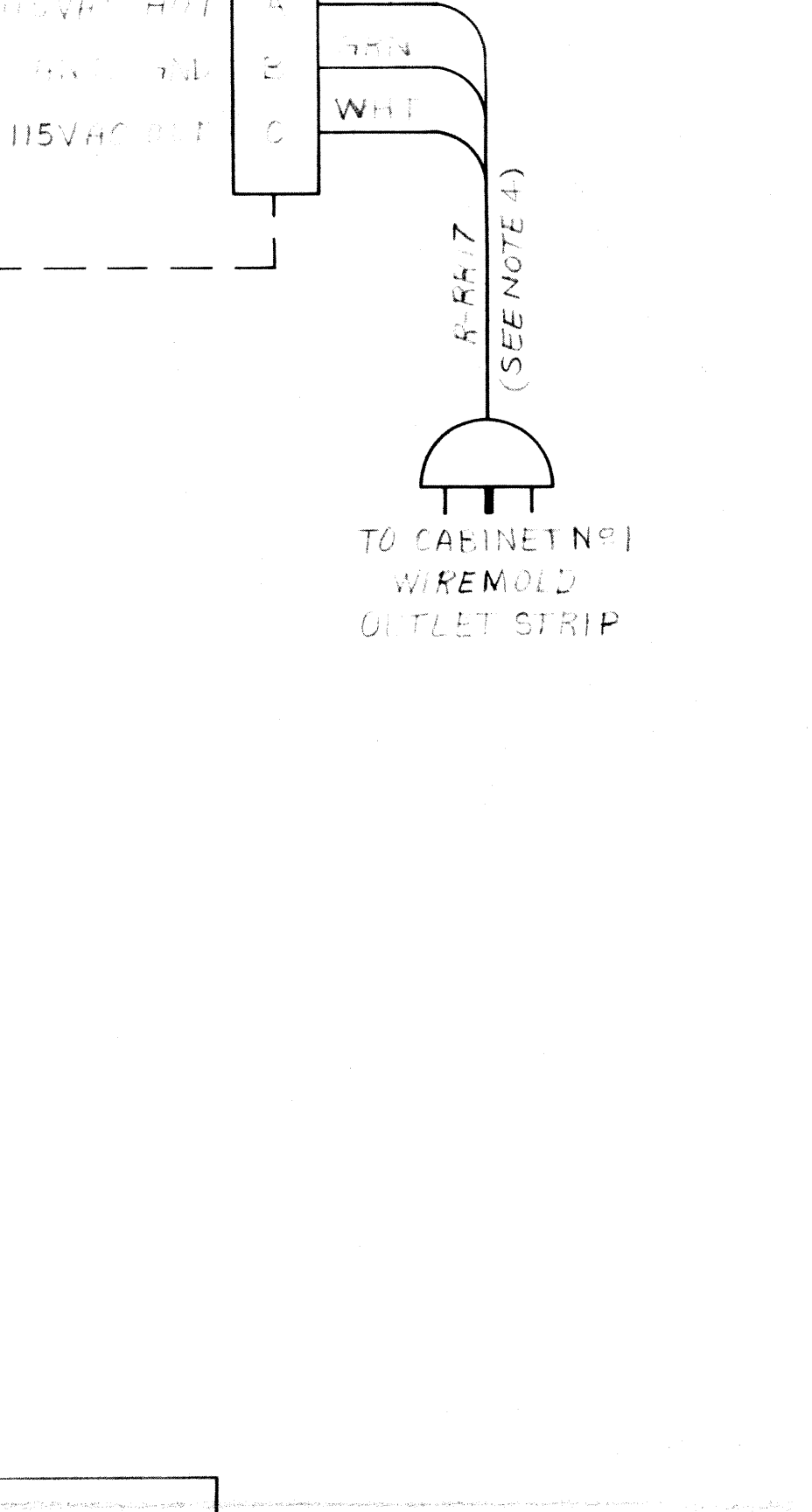
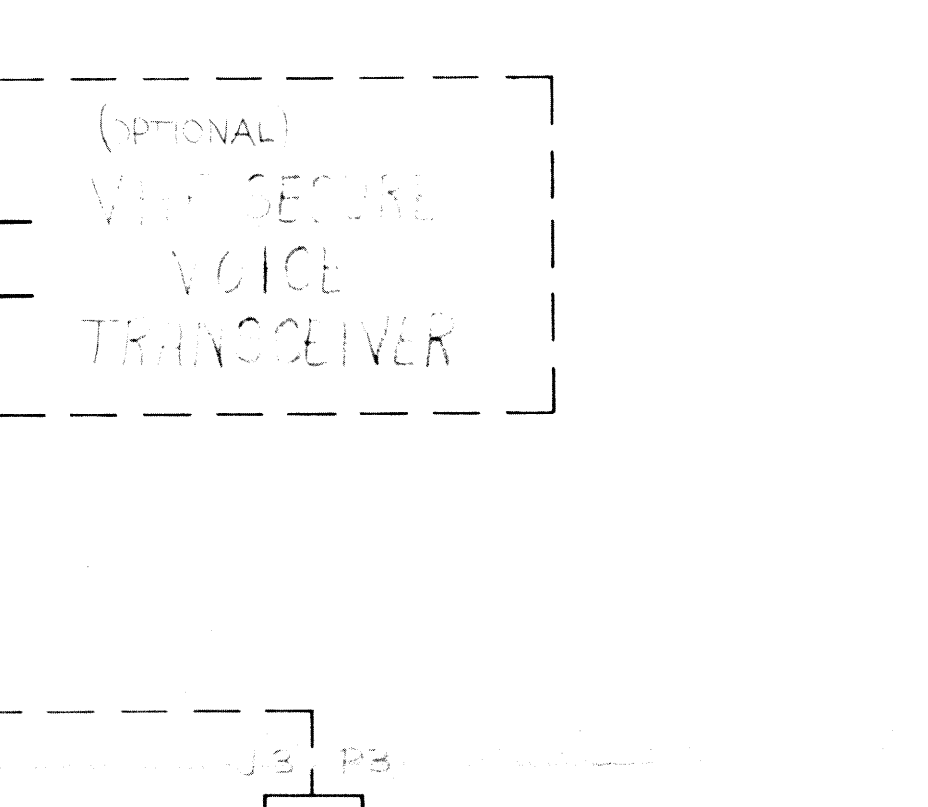
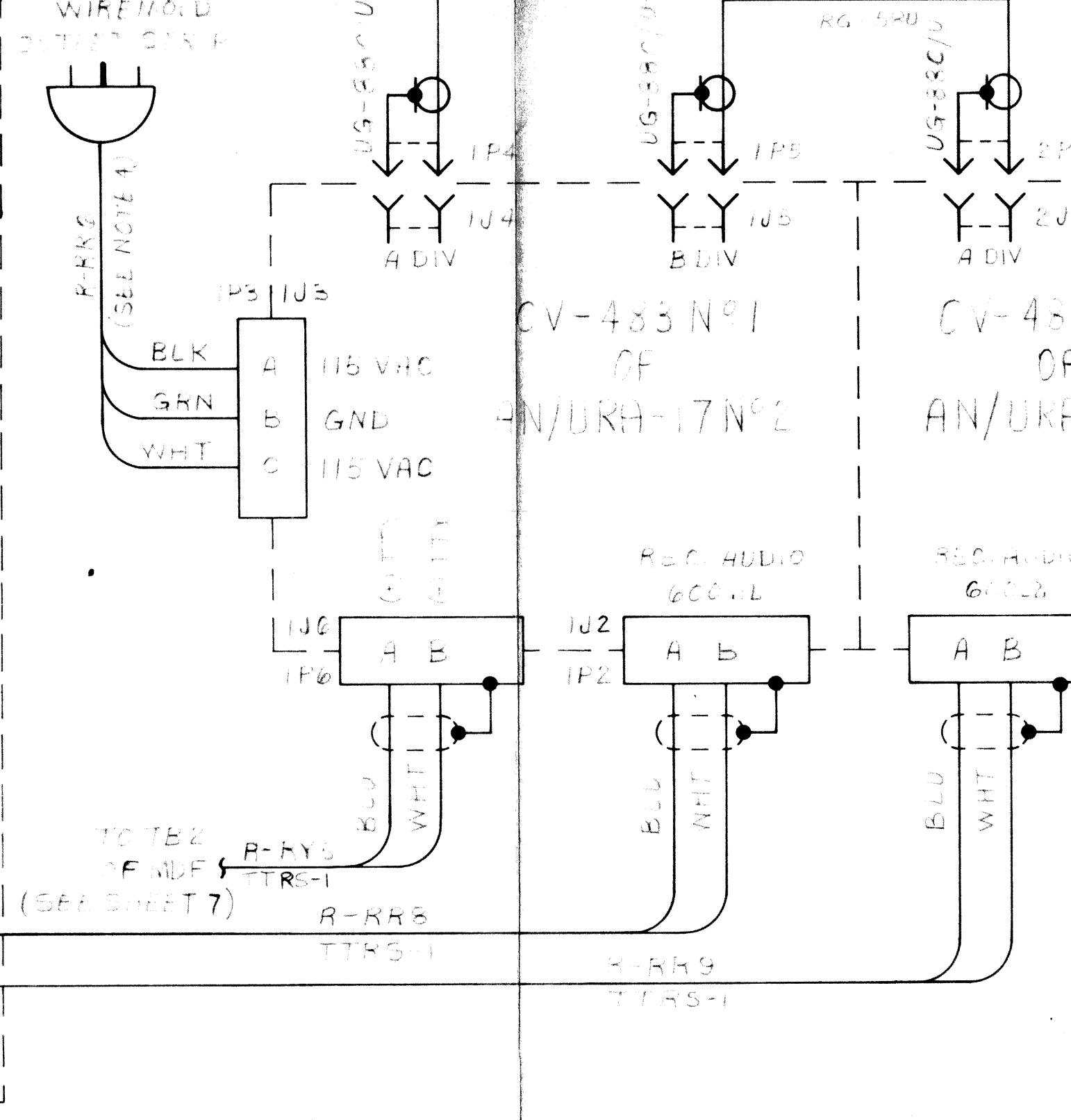
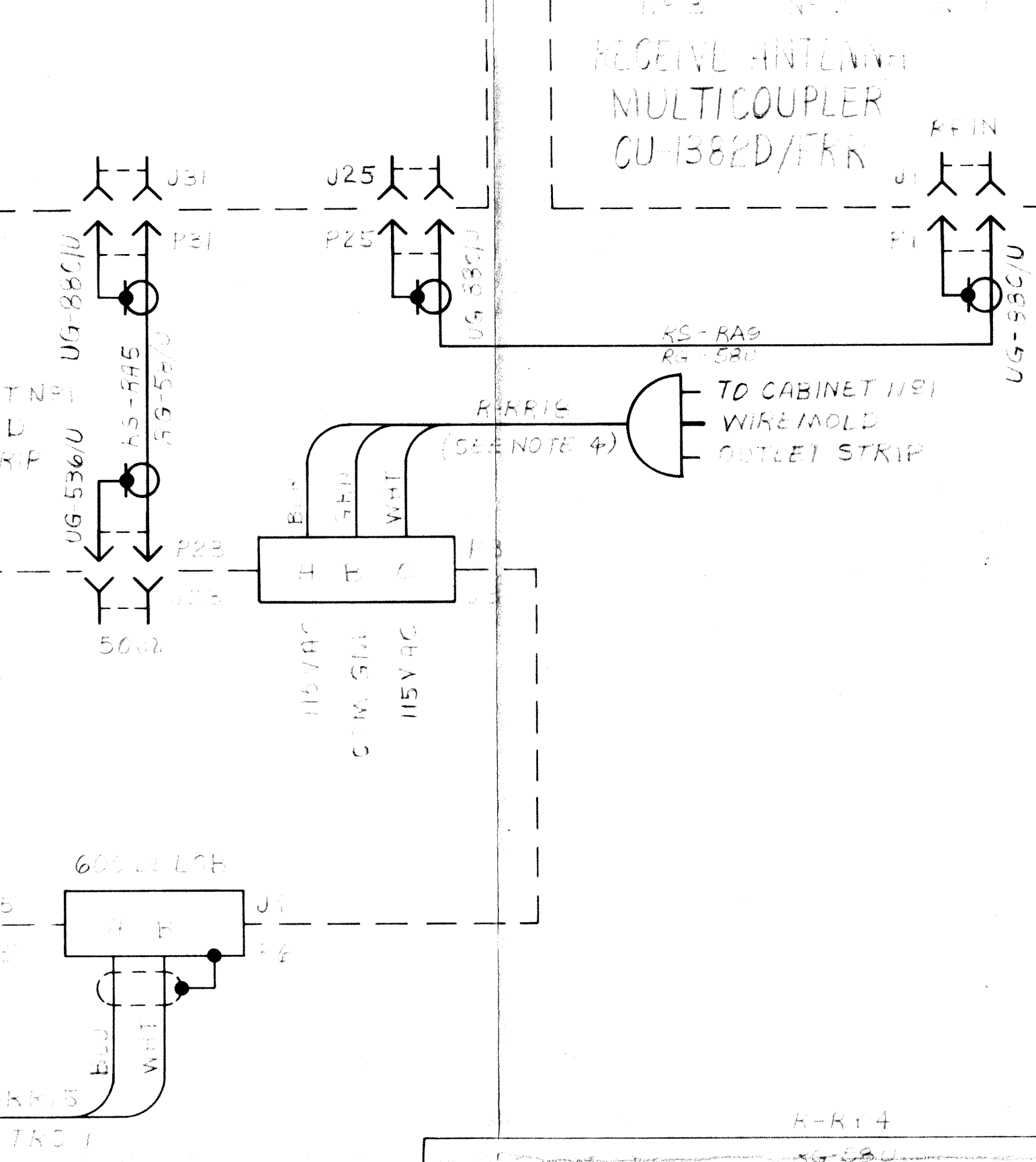
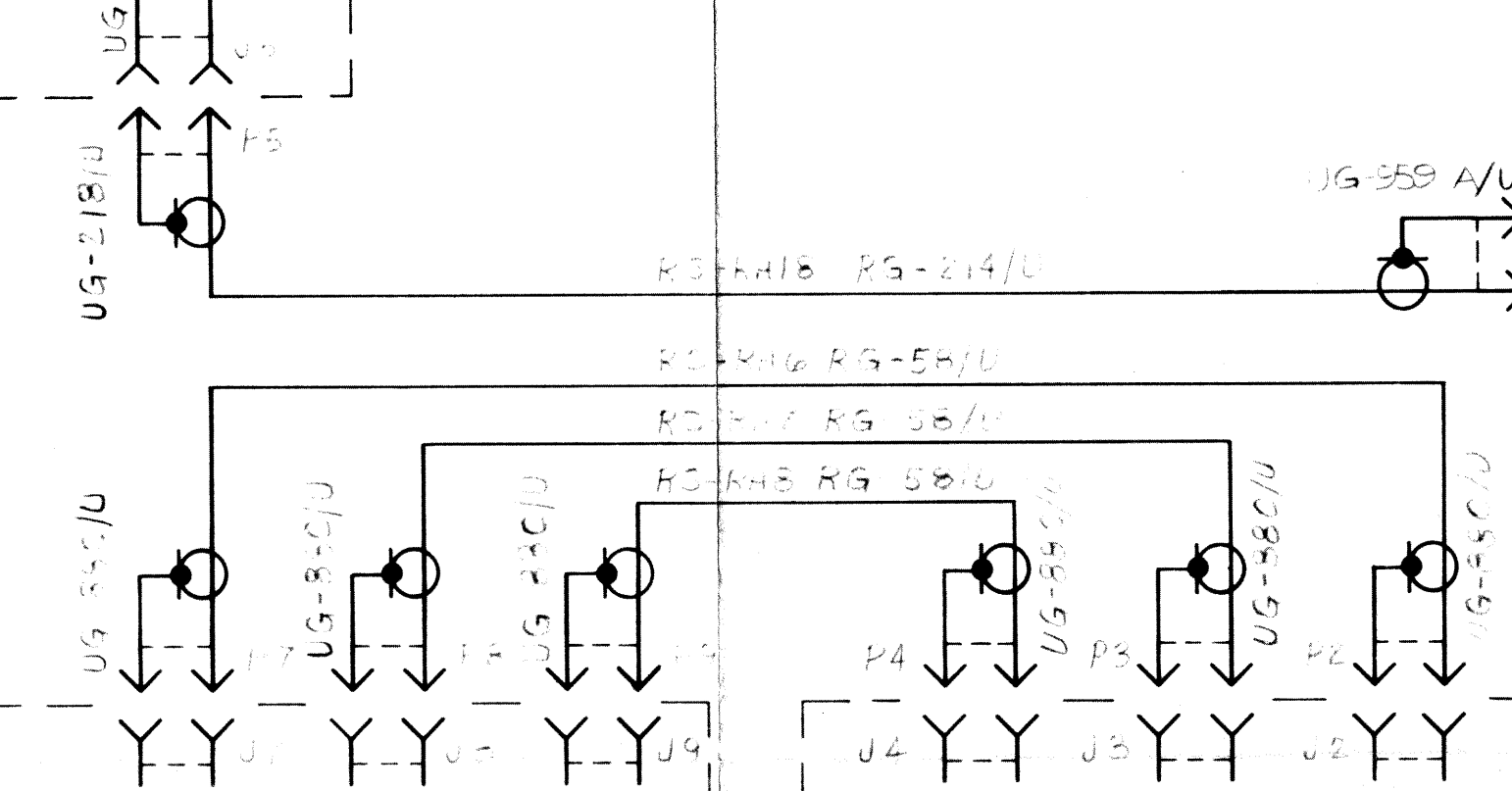
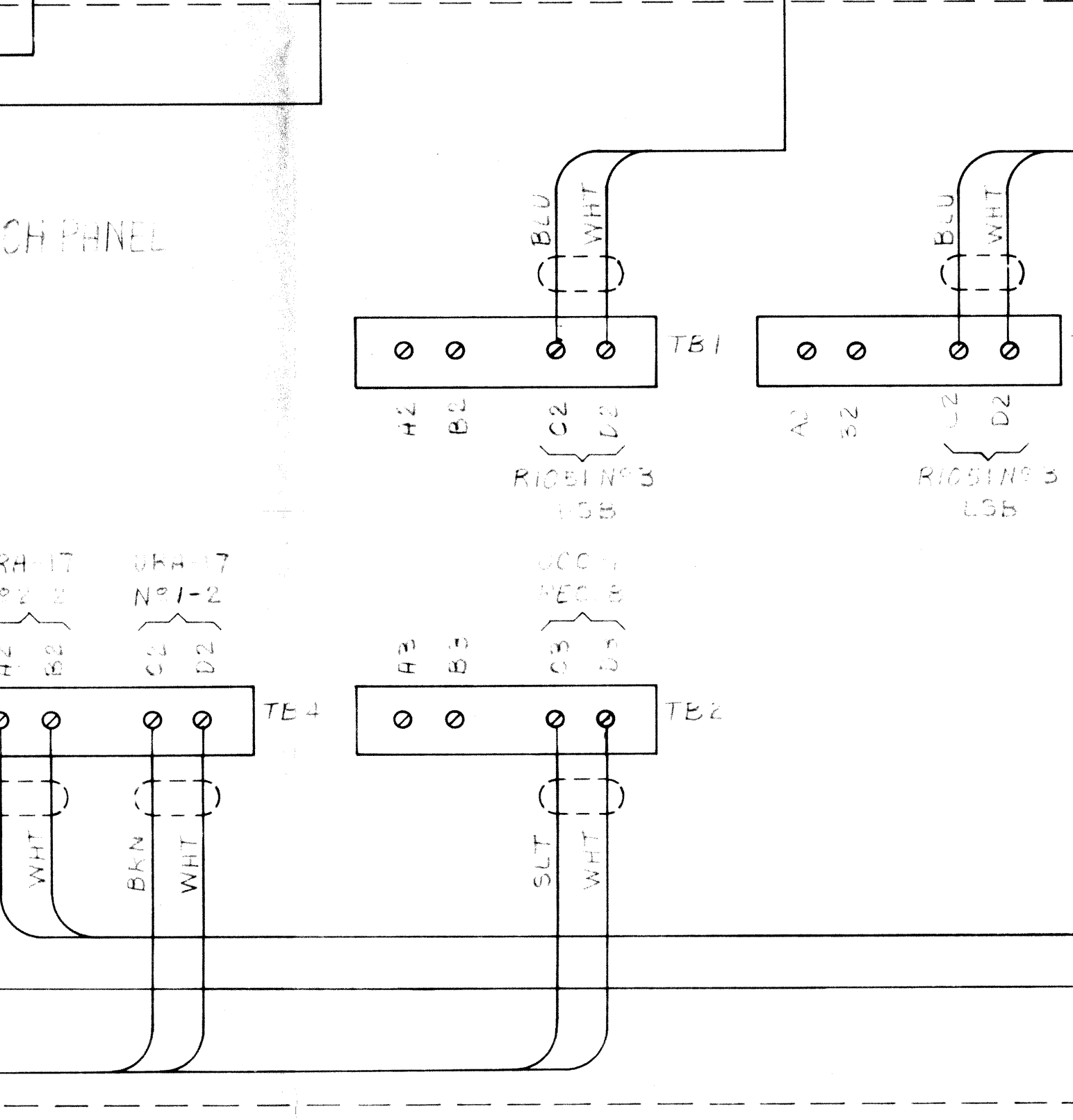
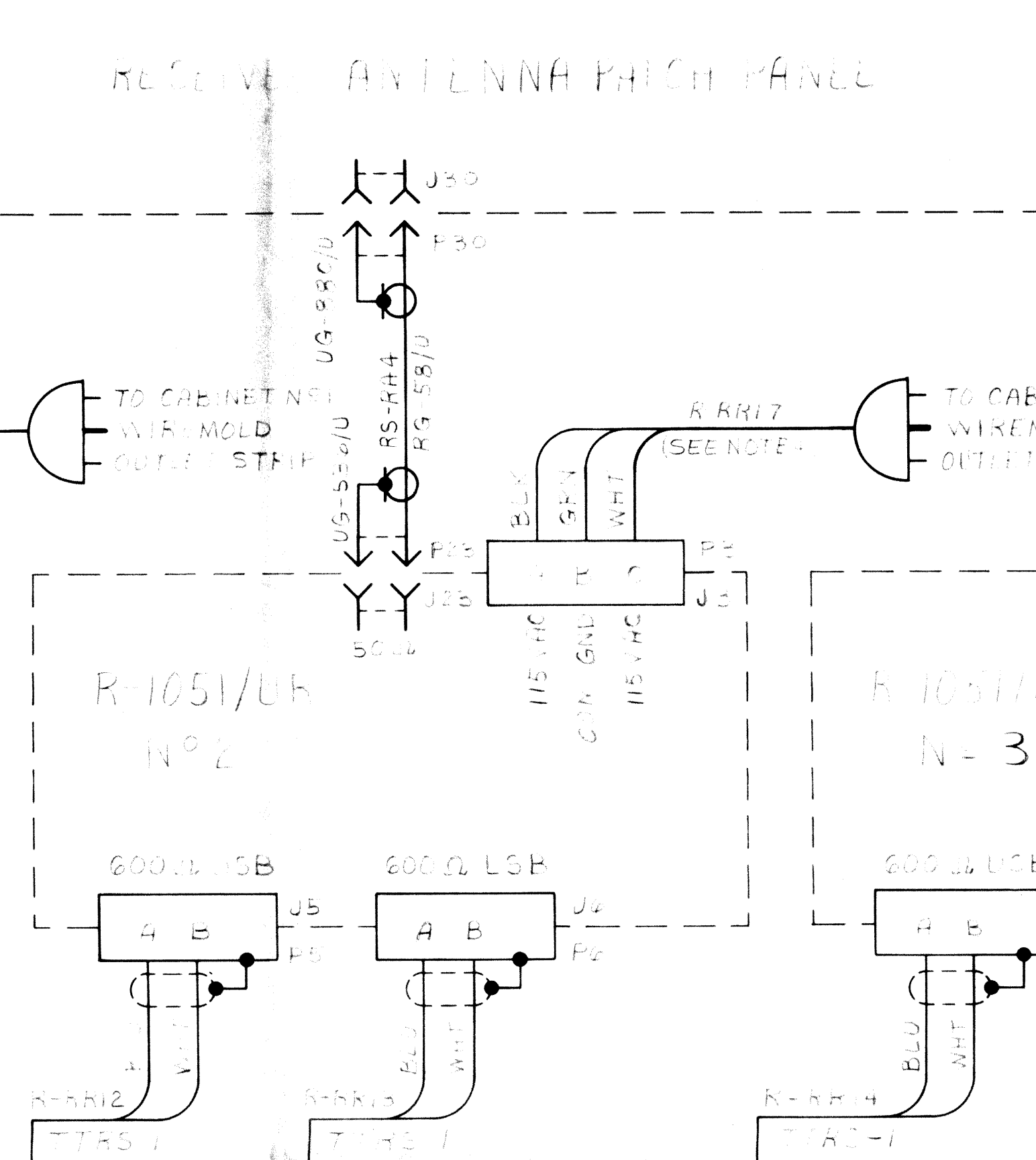
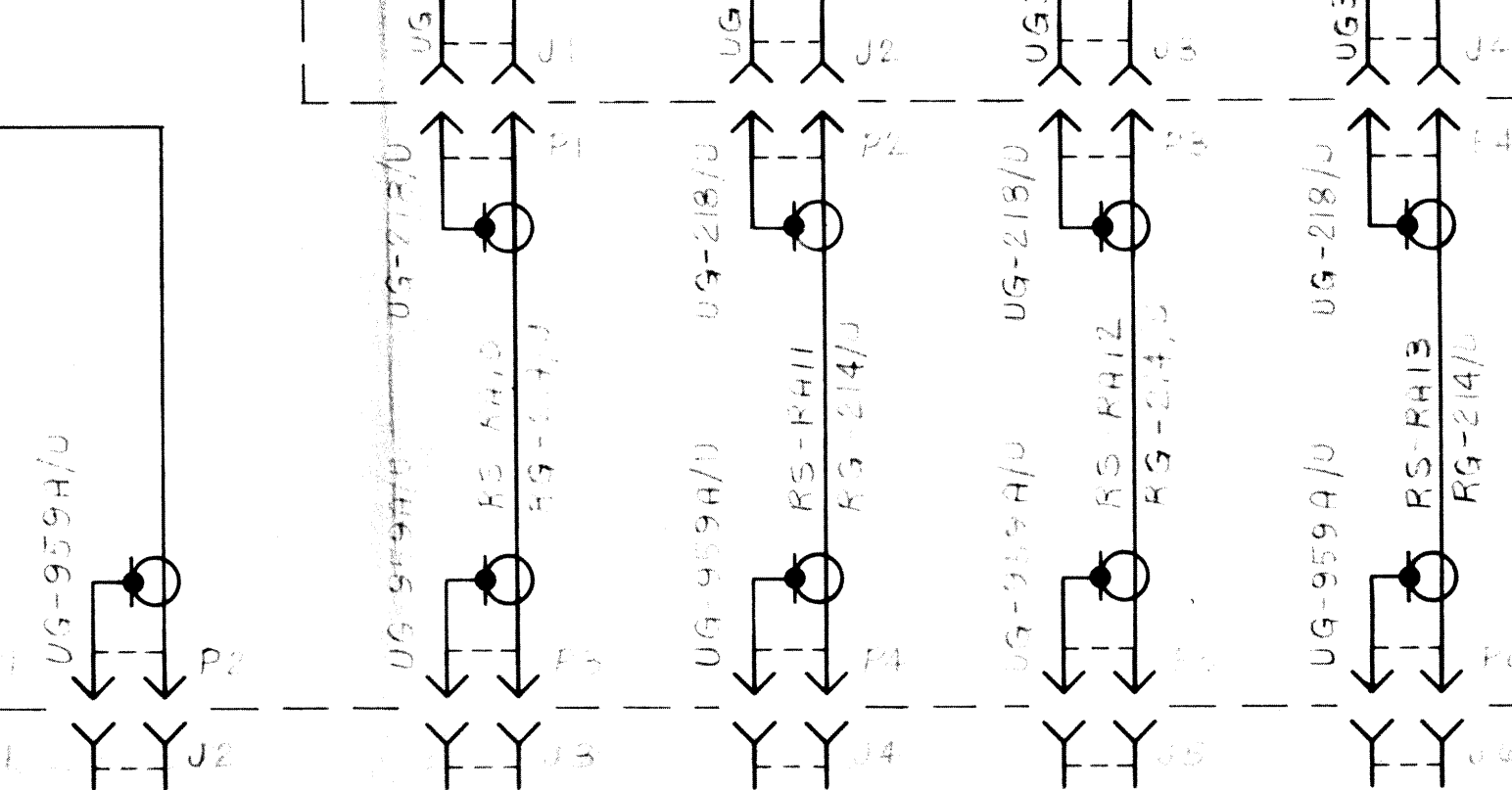
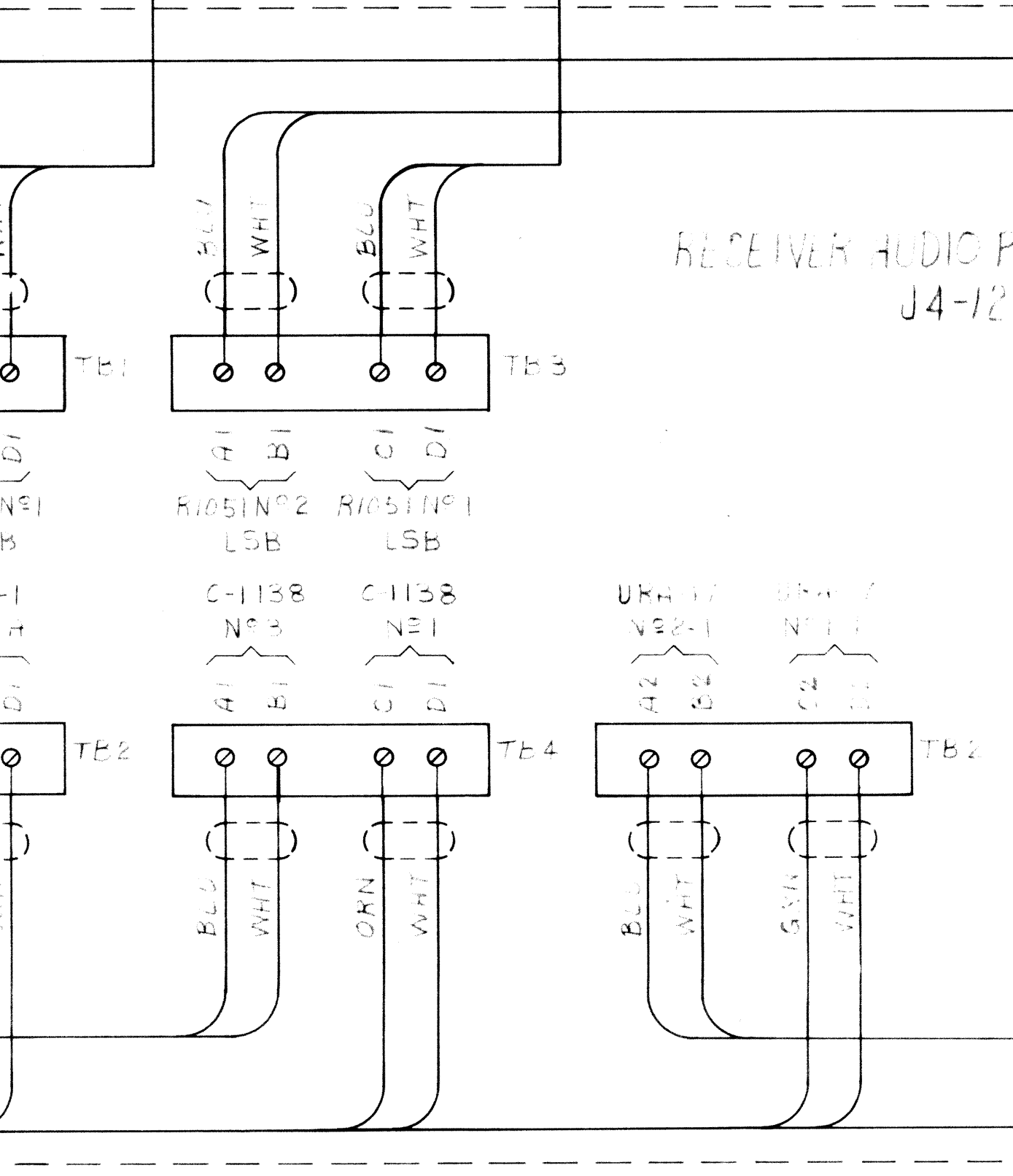
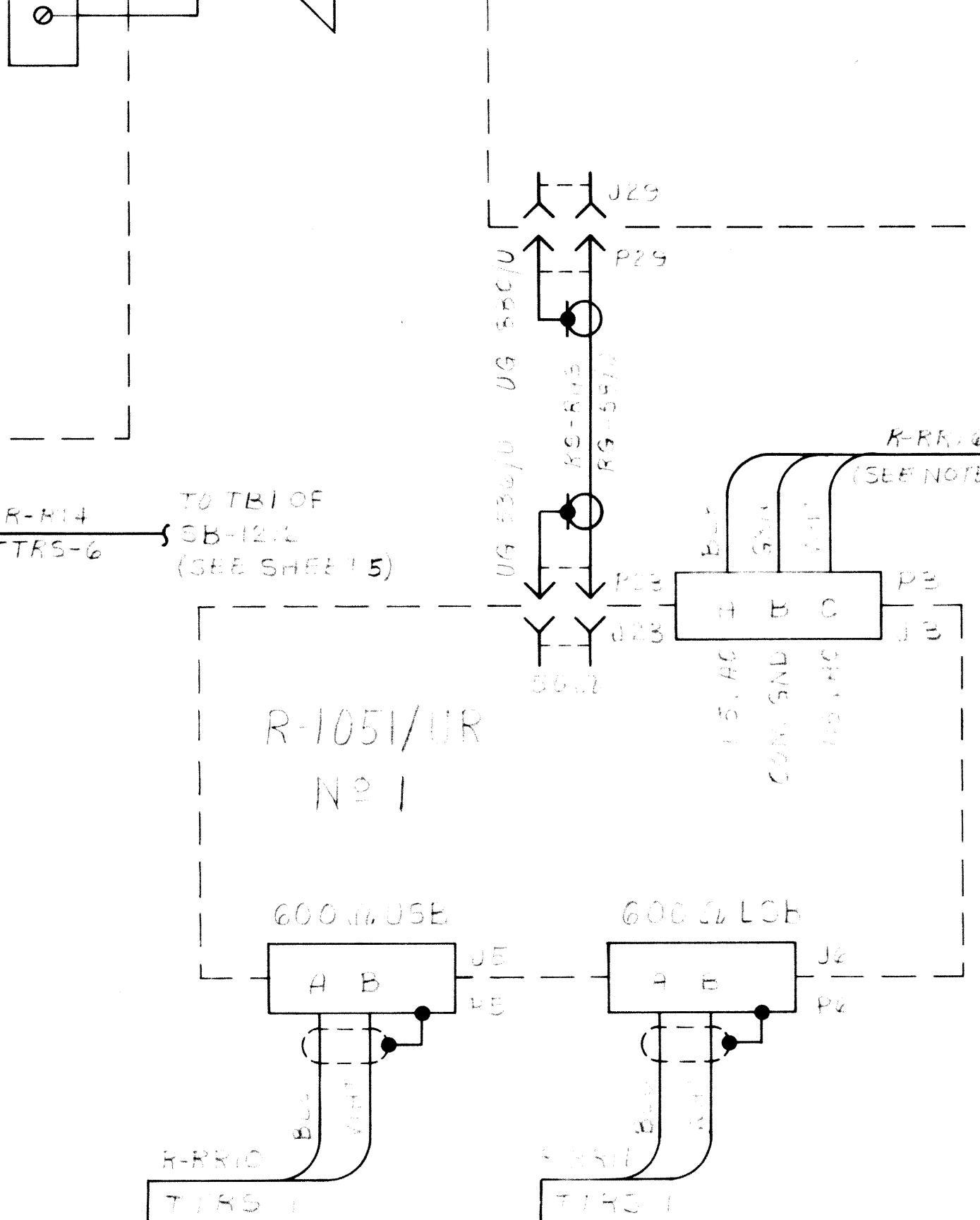
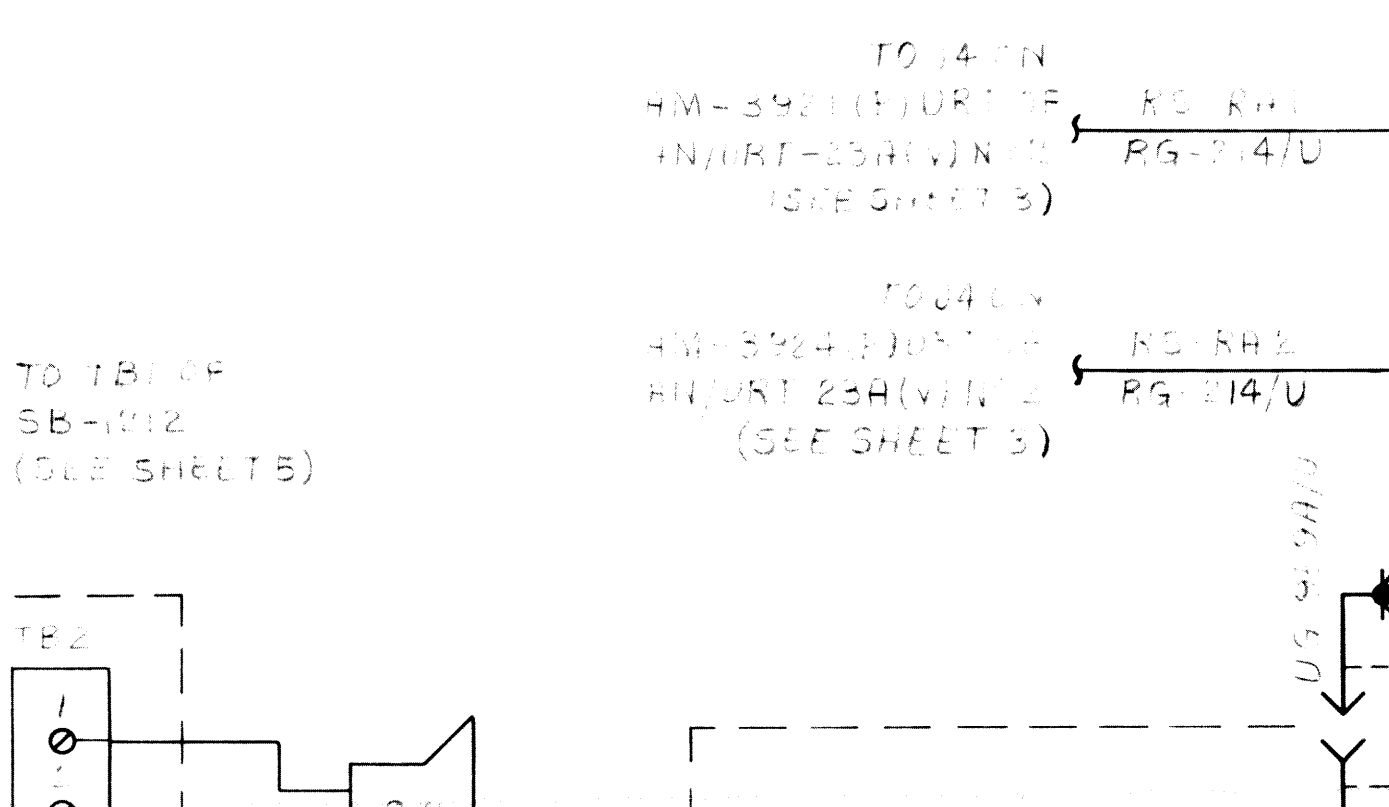
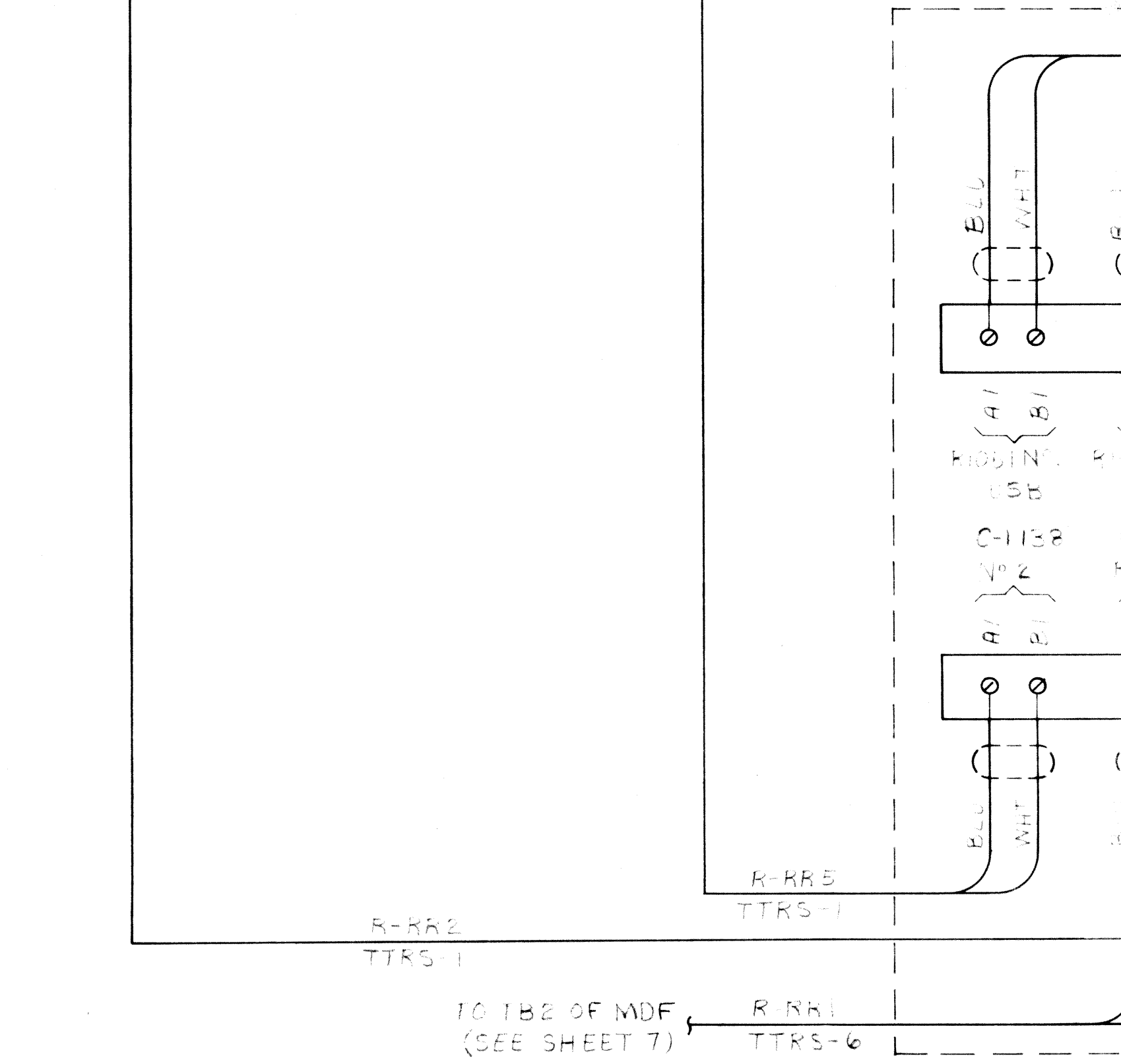
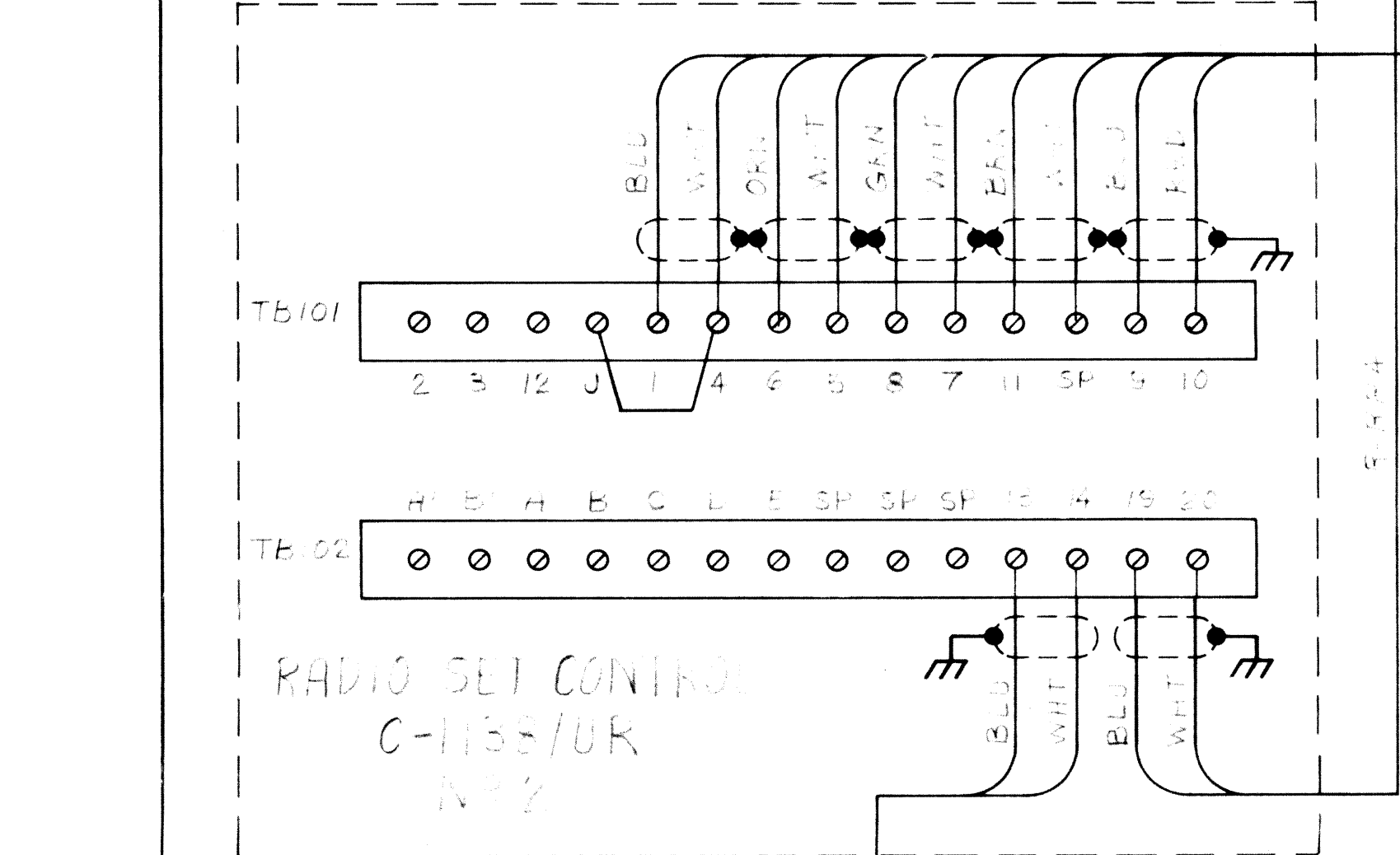
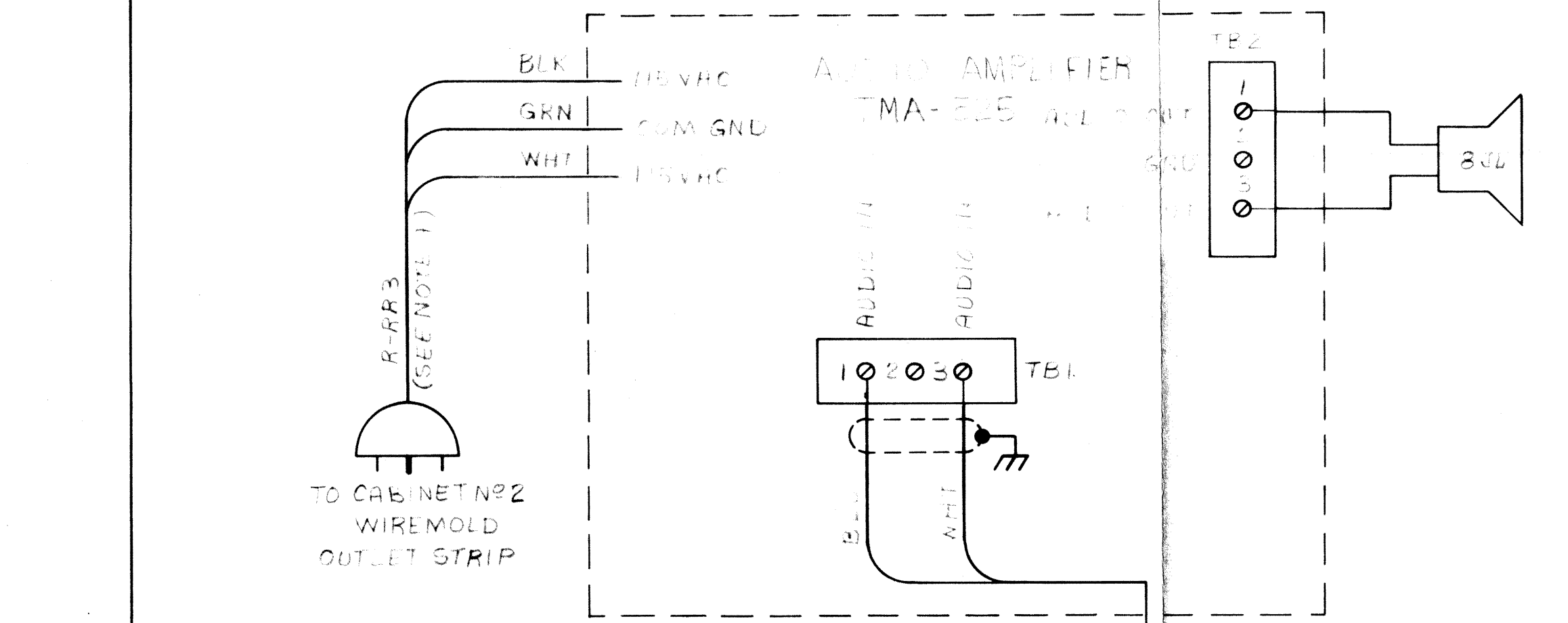
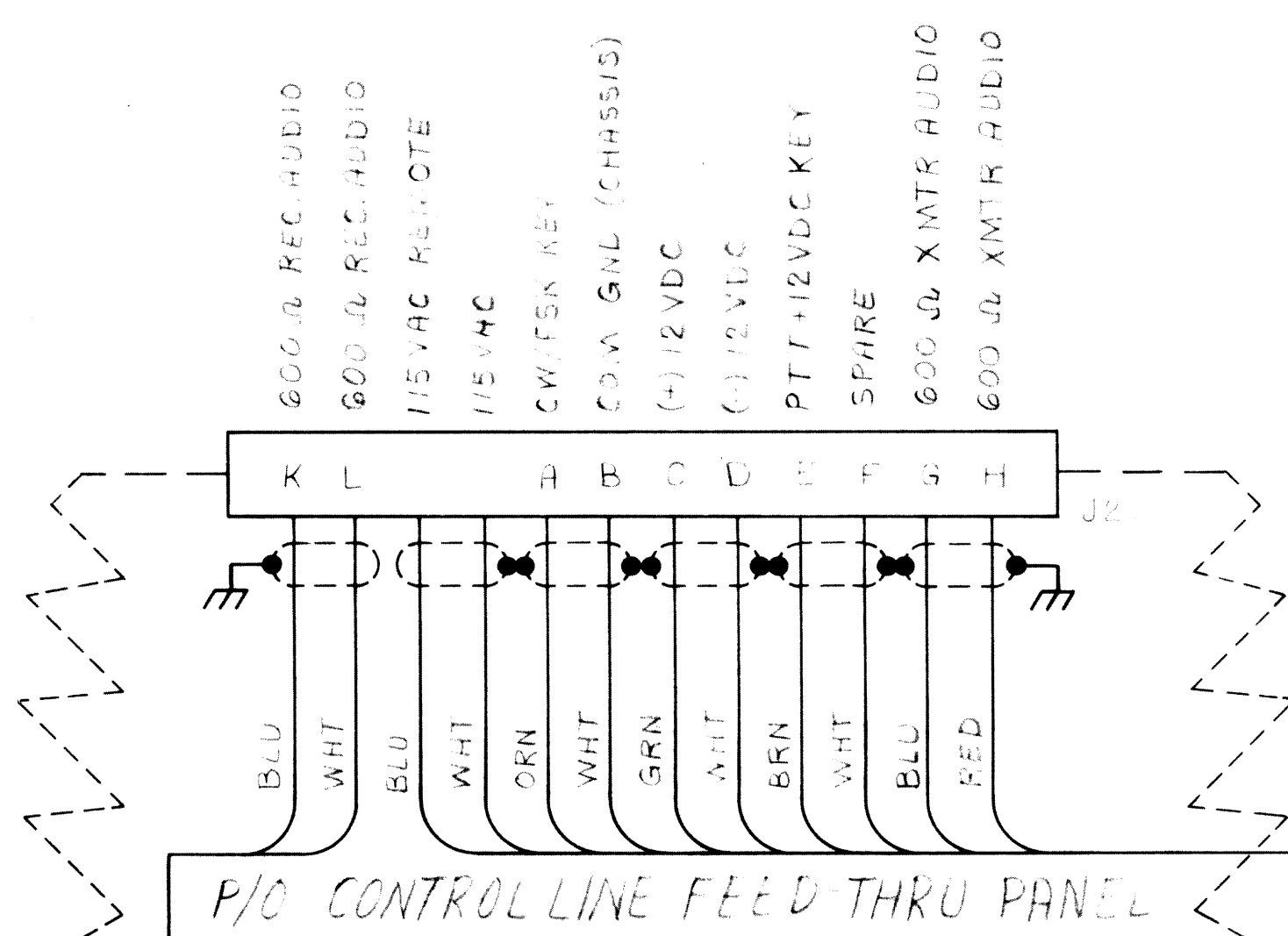


R-RT1
TTRS-6 TO TB1 OF MDF
(SEE SHEET 7)

R-RY2
TTRS-6 TO TB2 OF MDF
(SEE SHEET 7)

R-RT4
TTRS-6 TO TB1 OF RADIO CONTROL
C-1138 N°2
(SEE SHEET 6)

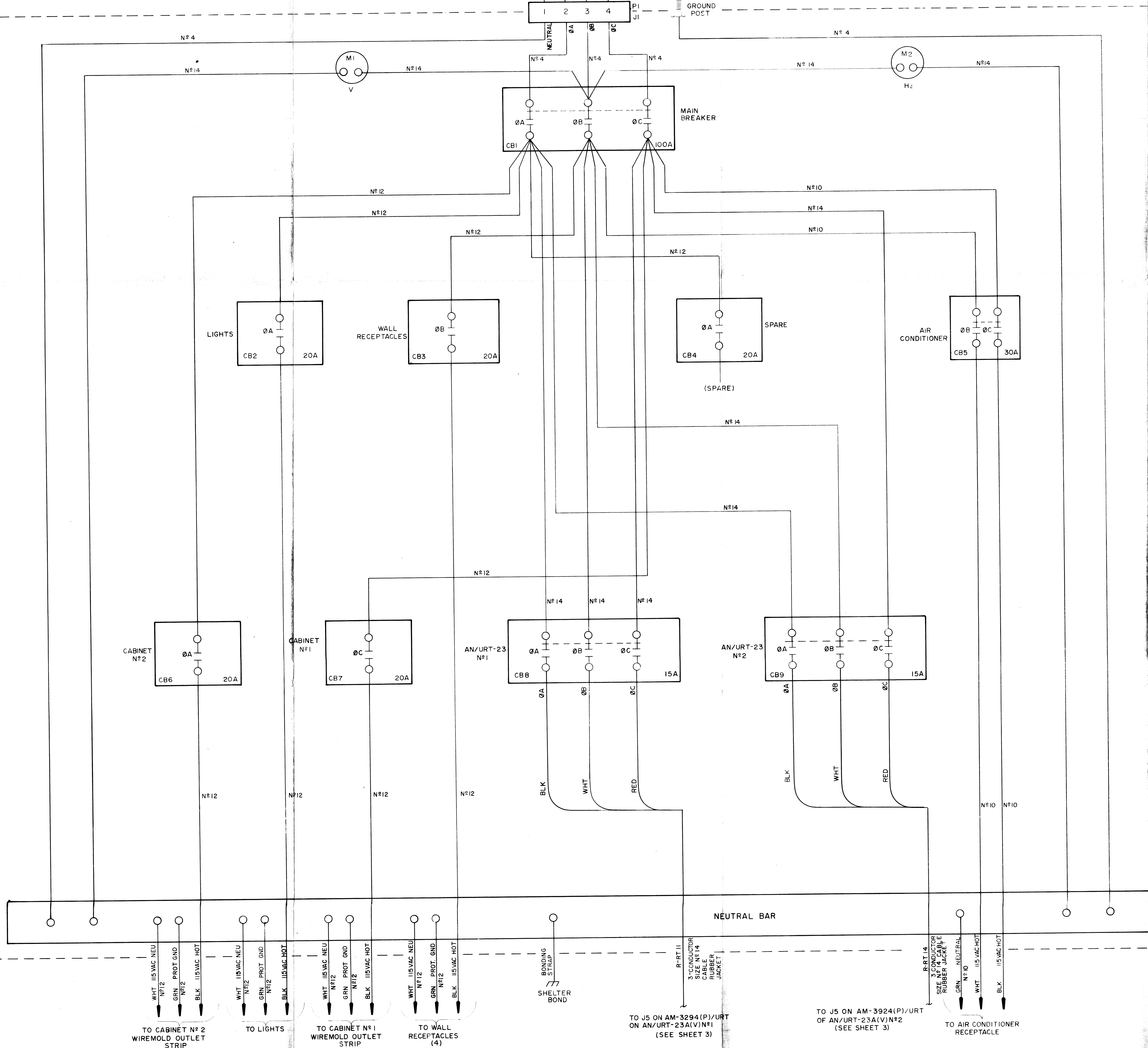
R-RT3
TTRS-6 TO J2 ON CONTROL-LINE
FEED-THRU PANEL
(SEE SHEET 6)



(OPTIONAL)
VHF SECURE
VOICE
TRANSMITTER

POWER DISTRIBUTION /
POWER LINE FEED-THRU PANEL

TO 208VAC 3Ø POWER SOURCE
RF VAN MAIN POWER CABLE
4 CONDUCTOR SIZE N#4 RUBBER JACKET
TO EARTH GROUND
GROUND POST



NOTE
ALL WIRE SIZES ARE AS INDICATED.

SIZE	CODE IDENT N°	DRAWING N°	REV
SCALE	PROJ N°	SHEET	OF

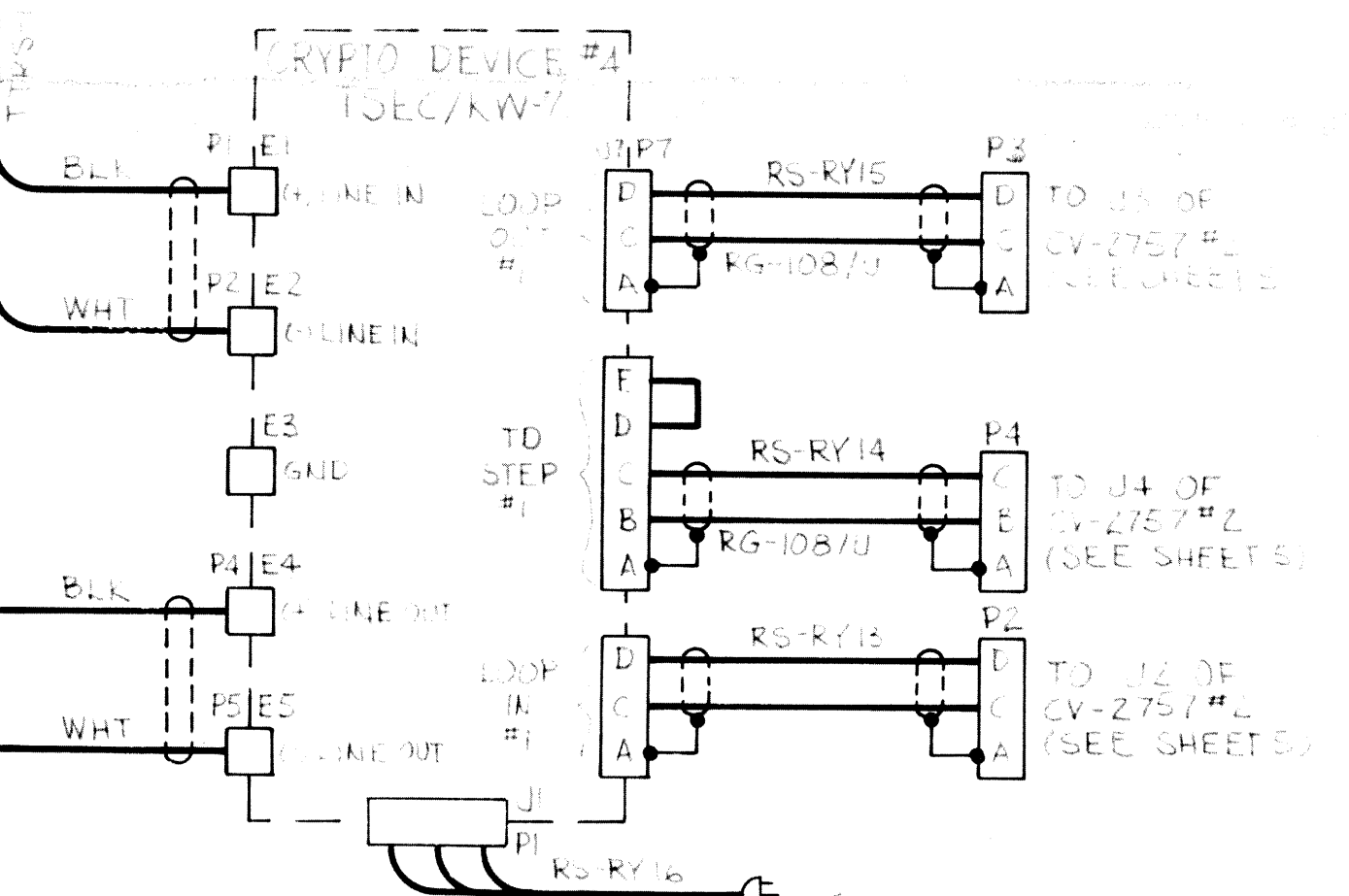
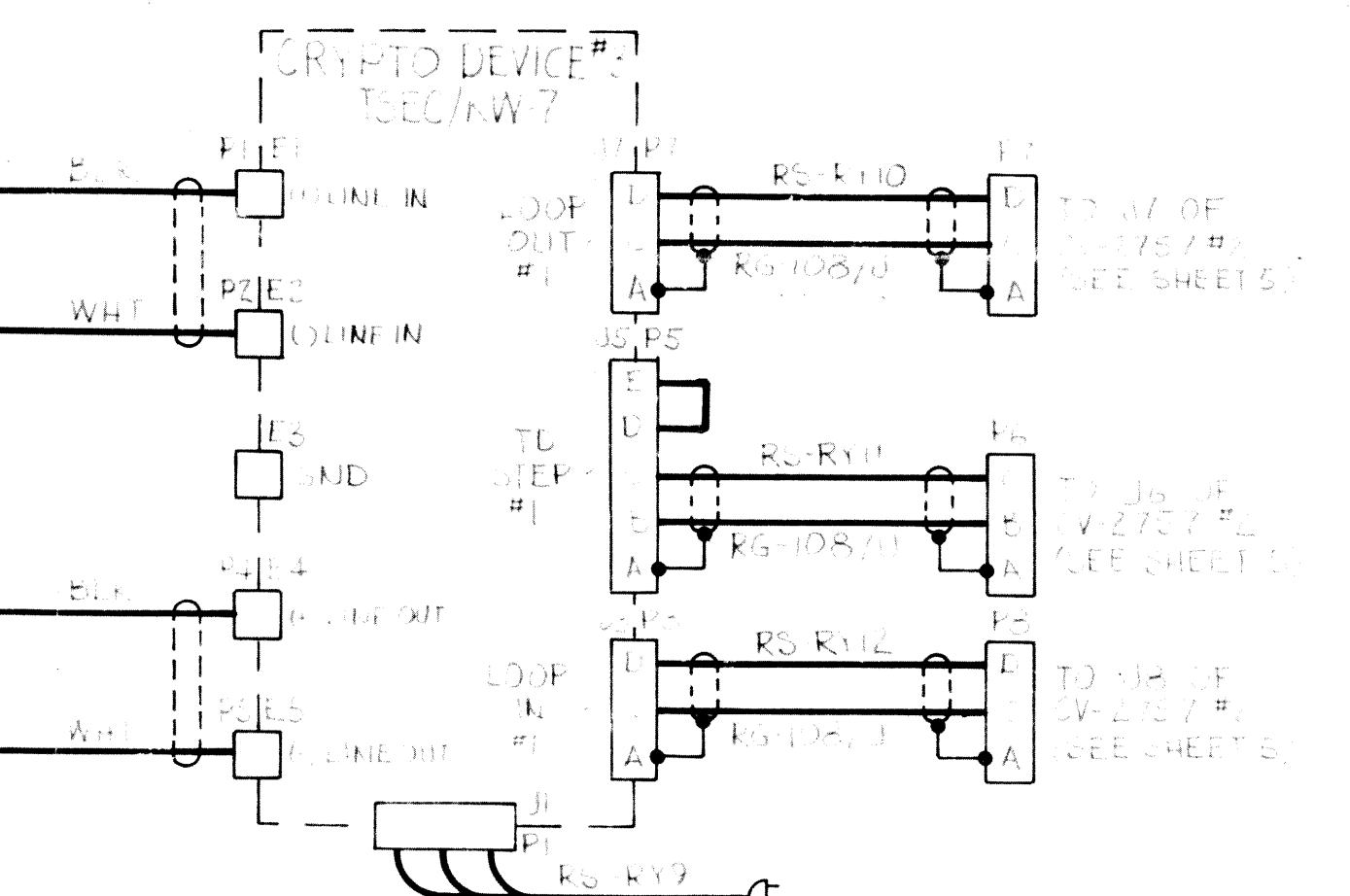
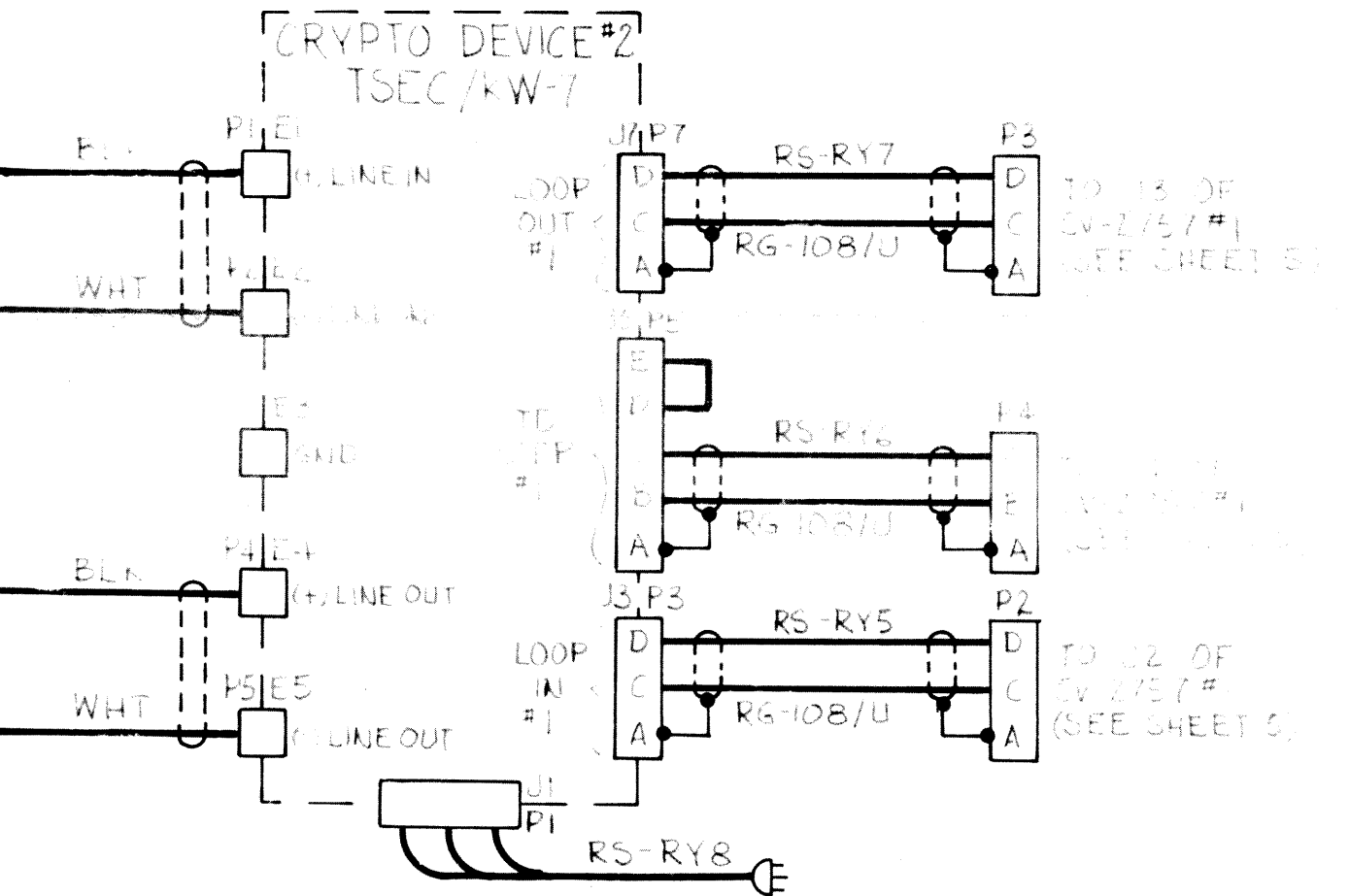
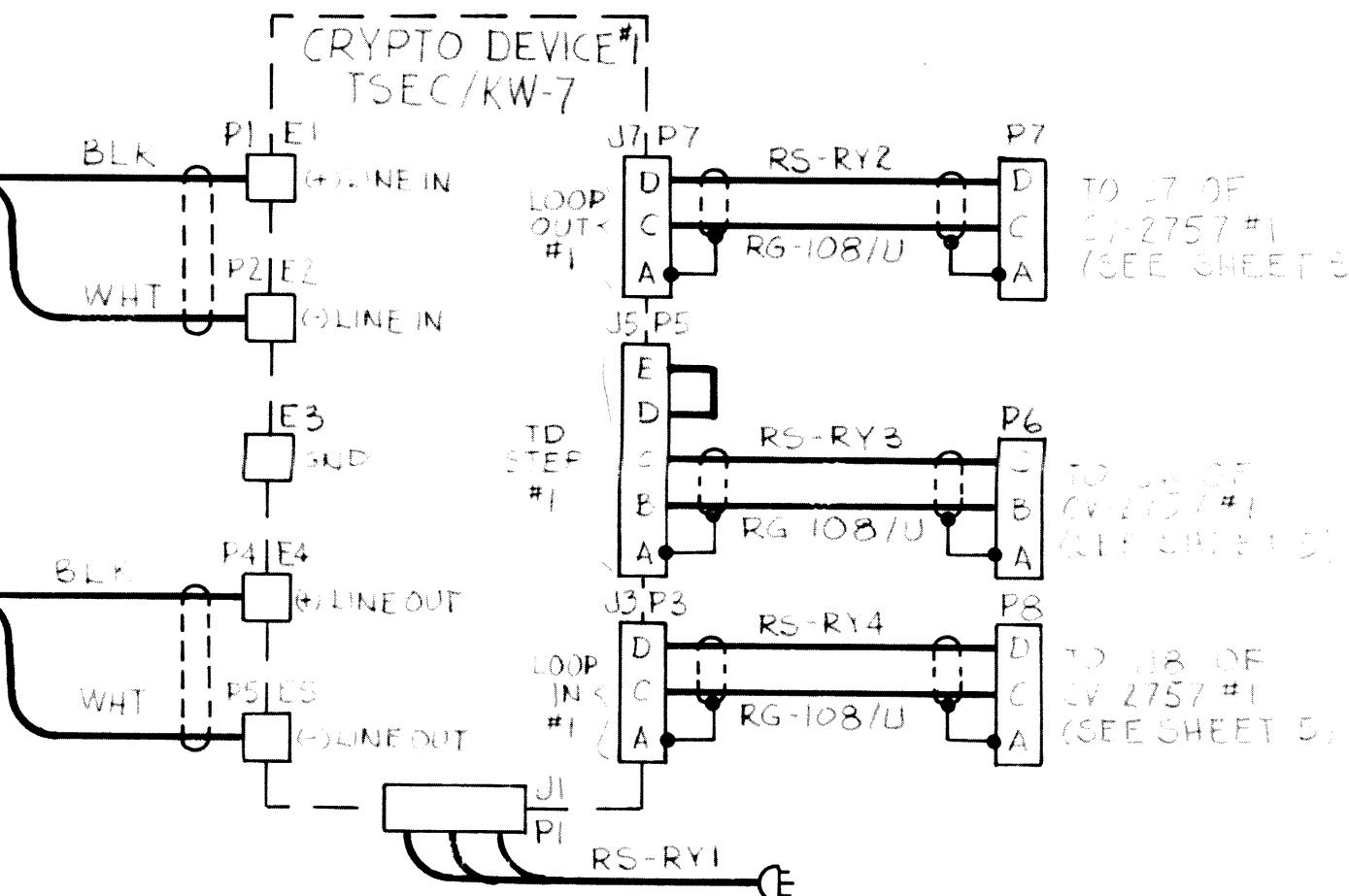
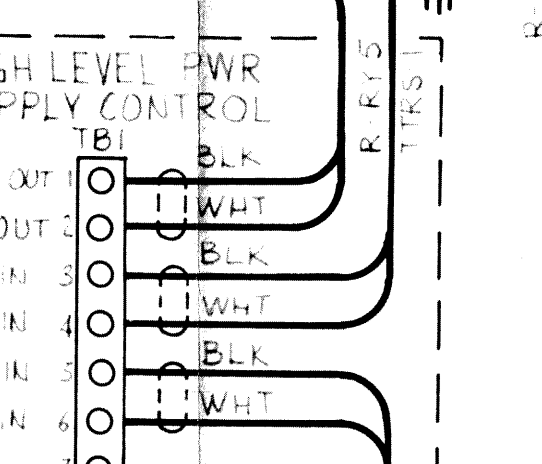
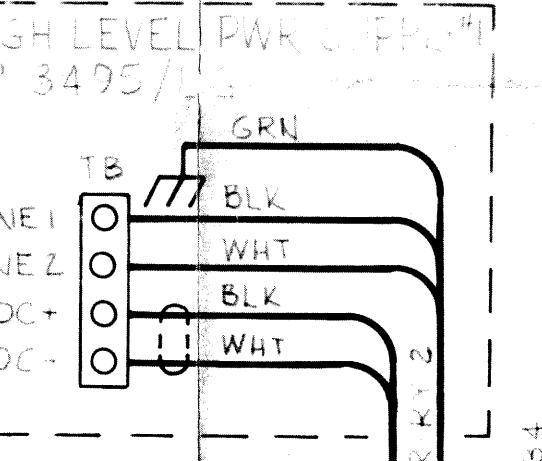
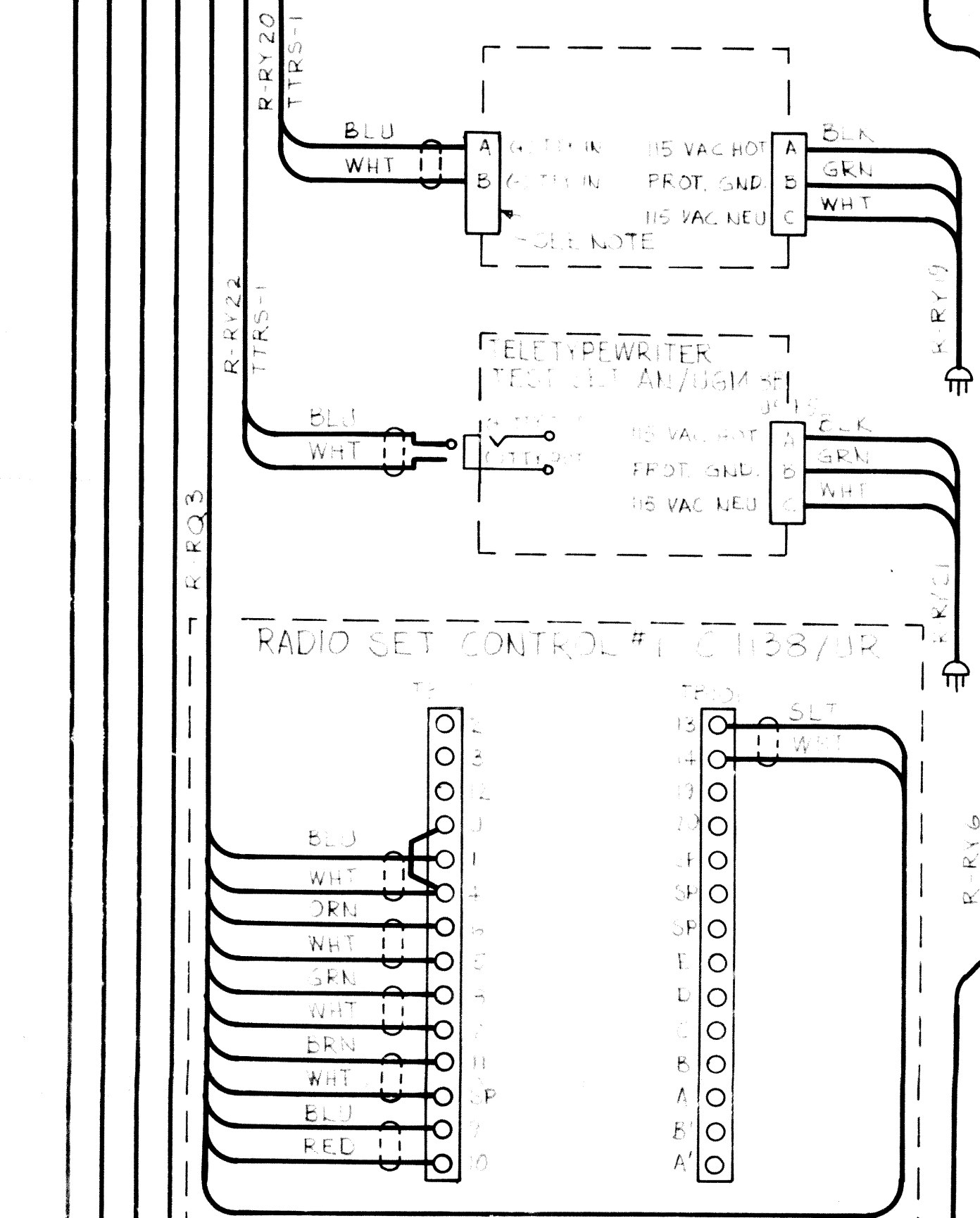
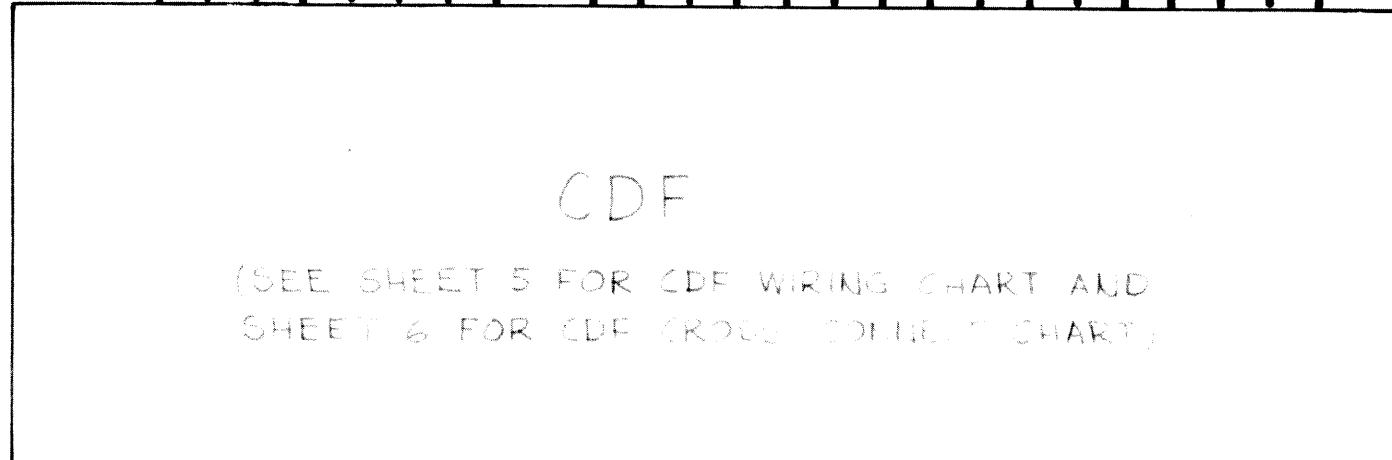
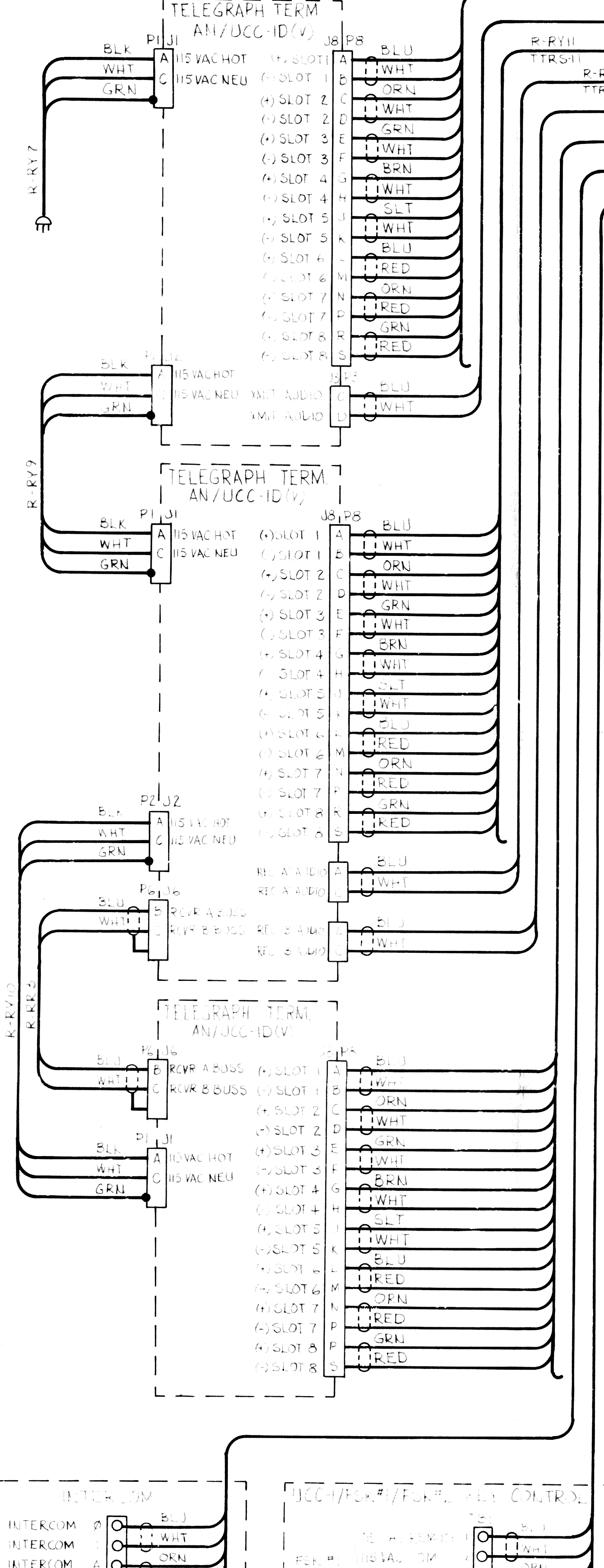
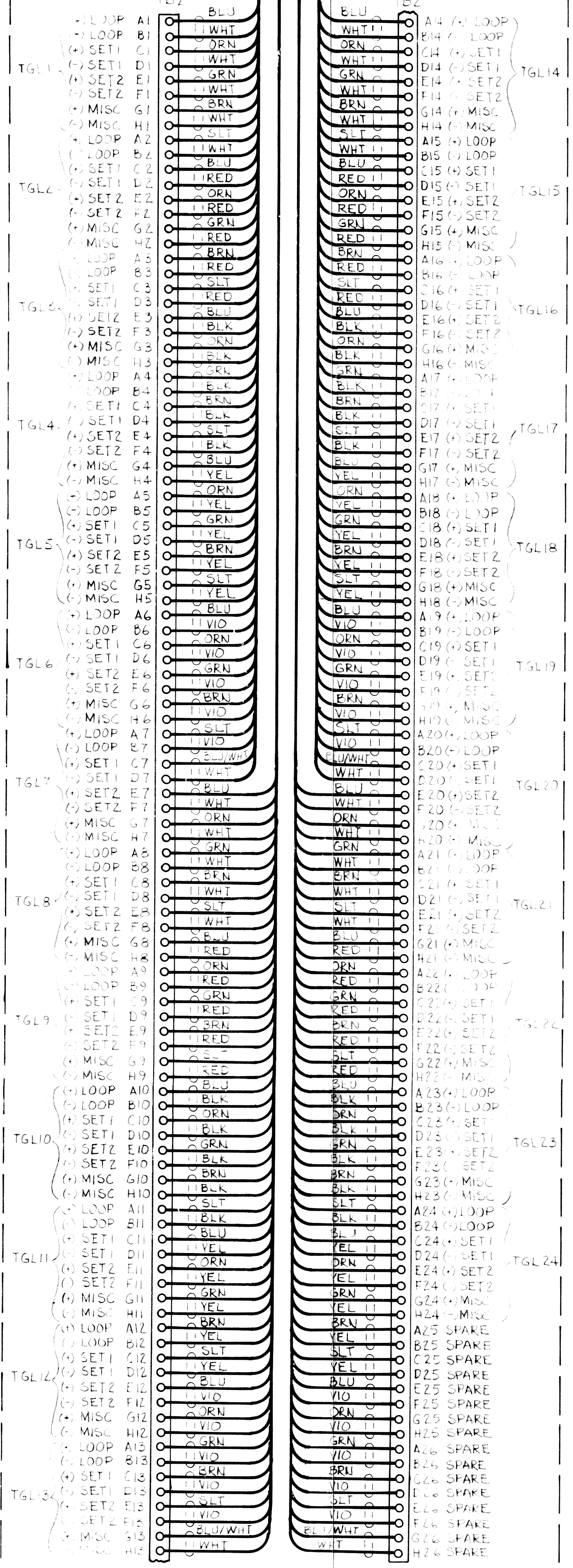
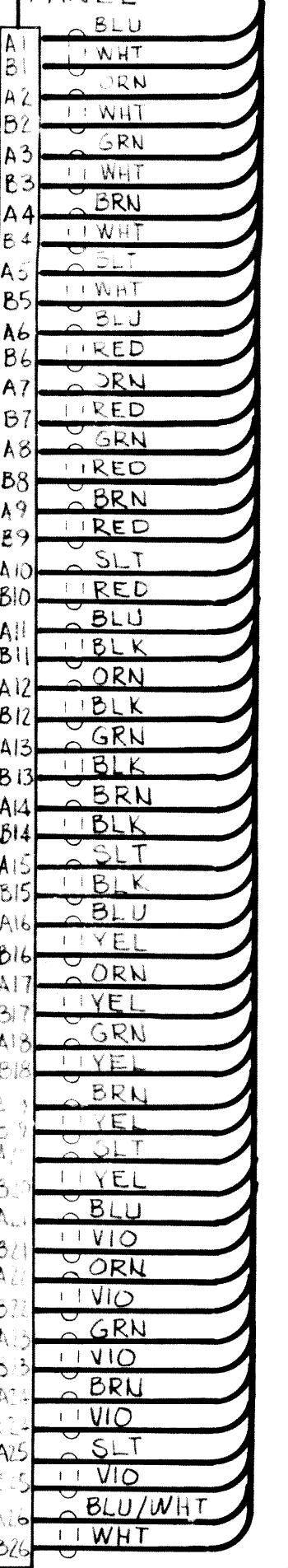
RED/BLACK SIGNAL GND TERMINAL (INSULATED FROM CHASSIS)

BLACK SIGNAL GROUND

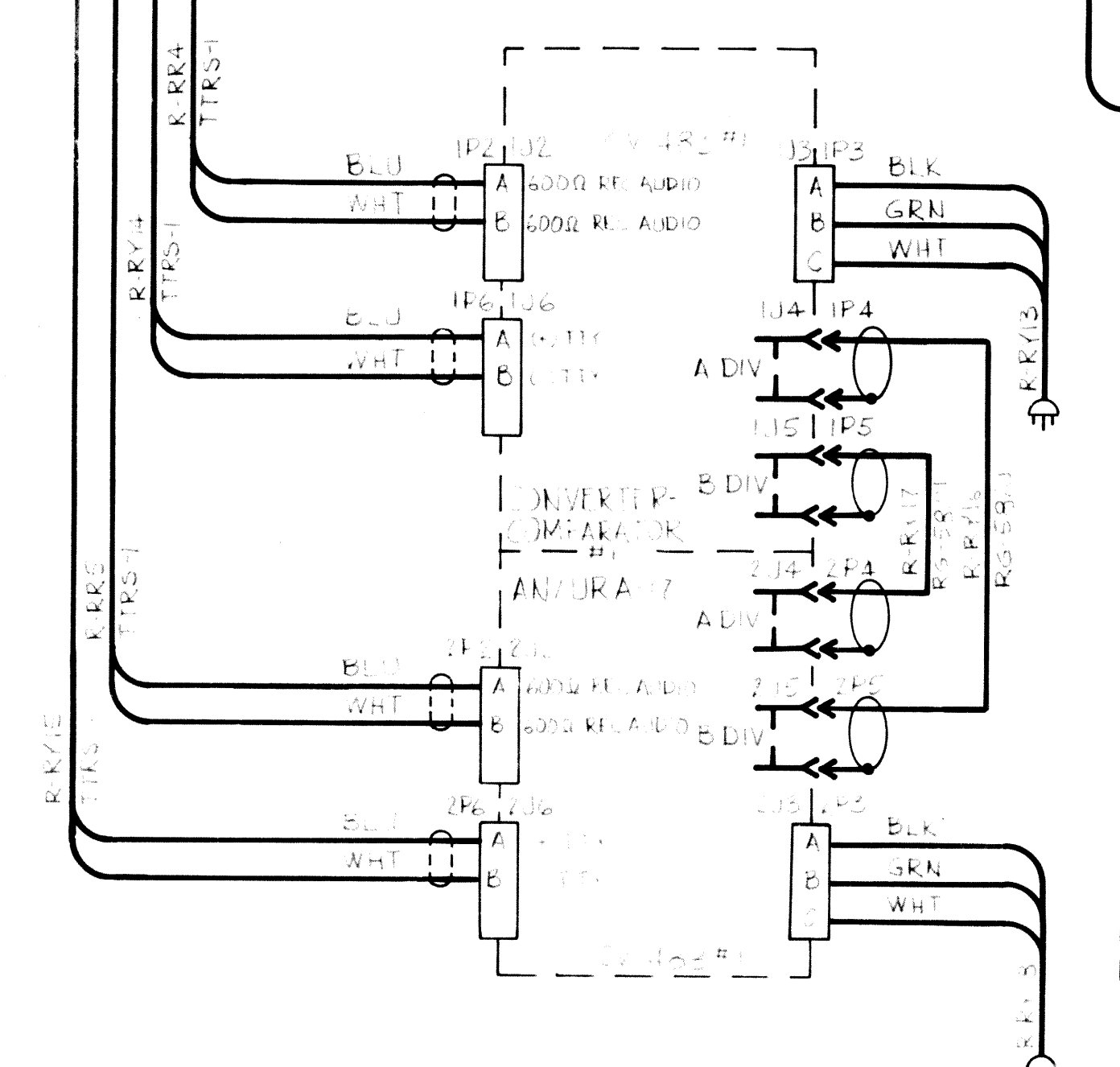
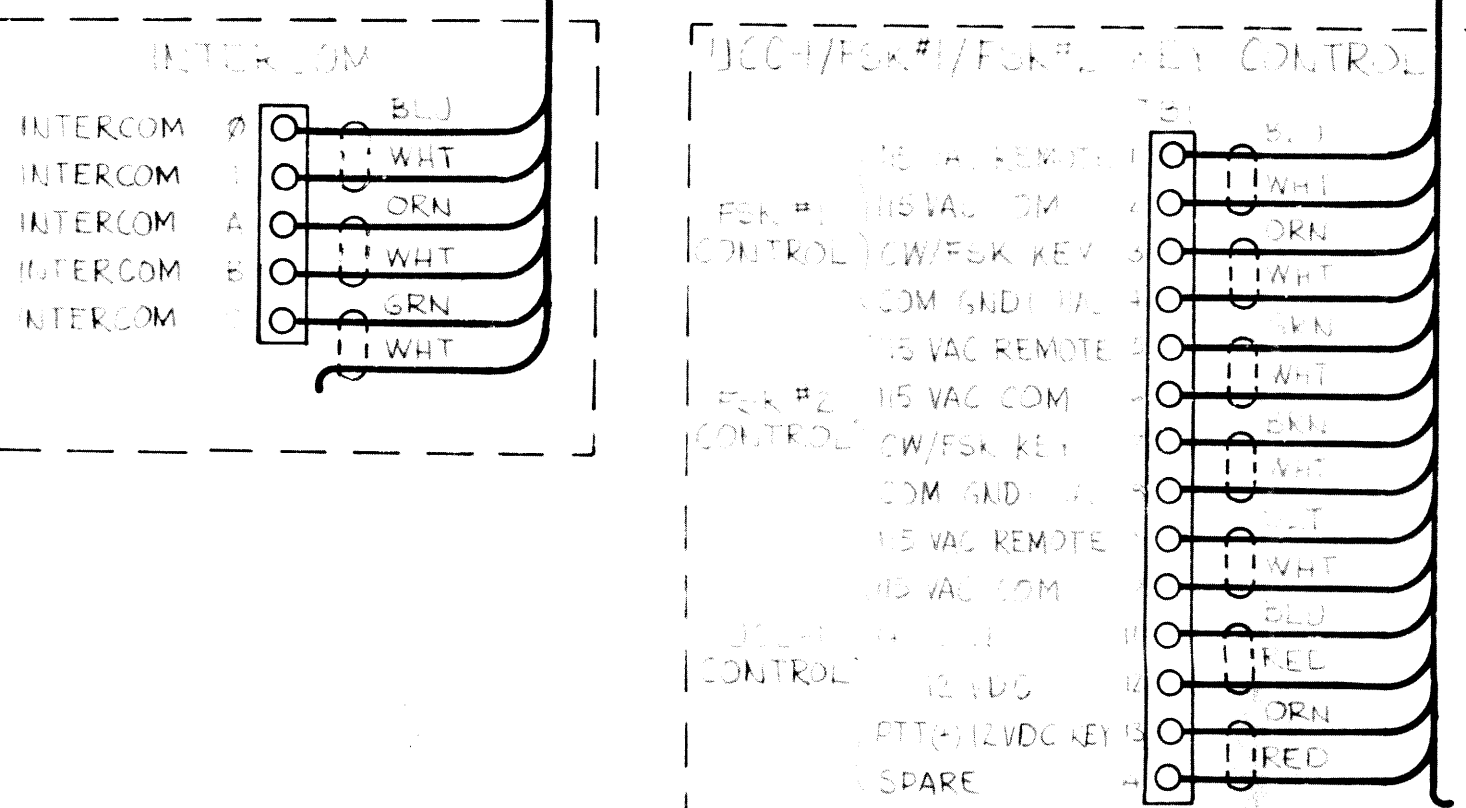
R-RY6 TTRS-1 R-RQ1 TTRS-26 R-RY1 TTRS-6 R-RY23 TTRS-26 R-RY24 TTRS-26 R-RY25 TTRS-26 R-RY26 TTRS-26

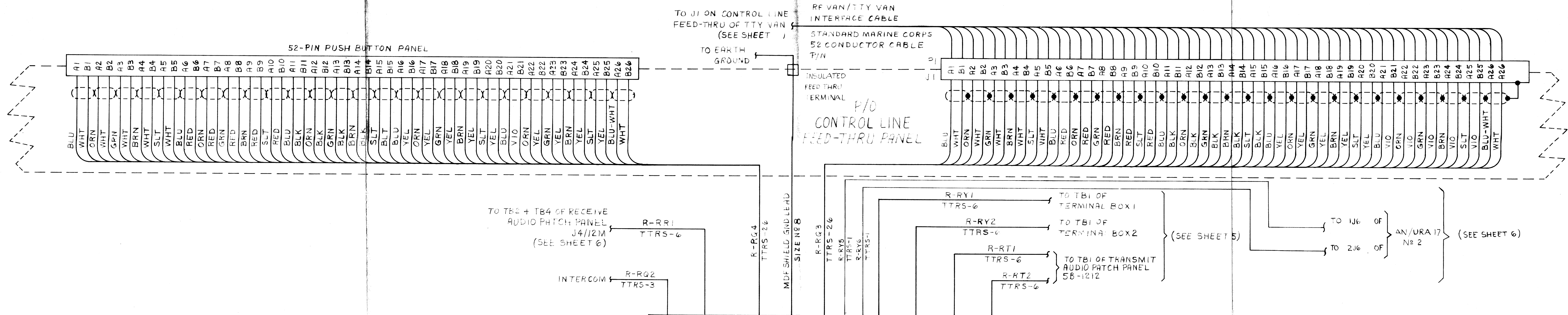
52-PIN PUSH BUTTON PANEL

HIGH-LEVEL DC PATCH PANEL SB-2405



NOTE: TGL27 TERMINALS #1, 2, 3, 4, 5 OF THE SIGNAL AND THE W/WHM COMMON TERMINALS THESE TERMINALS MUST BE STRAPPED TOGETHER IF THEY ARE NOT ALREADY TERMINALS 6 AND 7 MUST THEN BE STRAPPED TOGETHER THIS PROVIDING A 50VDC STATION BATTERY TO THE ALARM COMMON SIGNALS. SEE SHEET 5 FOR SB-2405 WIRING DIAGRAM.





CROSS CONNECT SHEET

MDF FROM X TO MDF

CABLE	PAIR	COLOR	TERM BLOCK	TERM	FUNCTION	TERM	TERM BLOCK	COLOR	PAIR	CABLE
R-RQ3 & R-RQ4	1	BLU	TD1	A1	115VAC REMOTE - FSK #1 CONTROL	A1	TB2	BLU	1	R-RY1
		WHT		B1	115VAC COM. - FSK #1 CONTROL	B1		WHT		
	2	ORN		A2	CW/FSK KEY - FSK #1 CONTROL	A2		ORN	2	
		WHT		B2	COM. GND. (CHASSIS) - FSK #1 CONTROL	B2		WHT		
	3	GRN		A3	(+) TTY - FSK LINE #1	A3		SLT	5	R-RY1
		WHT		B3	(-) TTY - FSK LINE #1	B3		WHT		
	4	BRN		A4	115VAC REMOTE - FSK #2 CONTROL	A4		BLU	1	R-RY2
		WHT		B4	115VAC COM. - FSK #2 CONTROL	B4		WHT		
	5	SLT		A5	CW/FSK KEY - FSK #2 CONTROL	A5		ORN	2	
		WHT		B5	COM. GND. (CHASSIS) - FSK #2 CONTROL	B5		WHT		
	6	BLU		A6	(+) TTY - FSK LINE #2	A6		SLT	5	R-RY2
		RED		B6	(-) TTY - FSK LINE #2	B6		WHT		
	7	ORN		A7	115VAC REMOTE - UCC-1 CONTROL	A7		BLU	1	R-RT1
		RED		B7	115VAC COM. - UCC-1 CONTROL	B7		WHT		
	8	GRN		A8	(+) 12VDC - UCC-1 CONTROL	A8		GRN	3	
		RED		B8	(-) 12VDC - UCC-1 CONTROL	B8		WHT		
	9	BRN		A9	PTT (+) 12VDC KEY - UCC-1 CONTROL	A9		BRN	4	
		RED		B9	SPARE - UCC-1 CONTROL	B9		WHT		
	10	SLT		A10	6000 XMIT. AUDIO - UCC-1	A10		BLU	6	R-RT1
		RED		B10	6000 XMIT. AUDIO - UCC-1	B10		RED		
	11	BLU		A11	115VAC REMOTE - C-1138 #1	A11		BLU	1	R-RT2
		BLK		B11	115VAC COM. - C-1138 #1	B11		WHT		
	12	ORN		A12	CW/FSK KEY - C-1138 #1	A12		ORN	2	
		BLK		B12	COM. GND. (CHASSIS) - C-1138 #1	B12		WHT		
	13	GRN		A13	(+) 12VDC - C-1138 #1	A13		GRN	3	
		BLK		B13	(-) 12VDC - C-1138 #1	B13		WHT		
	14	BRN		A14	PTT (+) 12VDC KEY - C-1138 #1	A14		BRN	4	
		BLK		B14	SPARE - C-1138 #1	B14		WHT		
	15	SLT		A15	6000 XMIT. AUDIO - C-1138 #1	A15		BLU	6	R-RT2
		BLK		B15	6000 XMIT. AUDIO - C-1138 #1	B15		RED		
	16	BLU		A16	6000 "REC. A" AUDIO - UCC-1	A16		BLU	1	R-RR1
		YEL		B16	6000 "REC. A" AUDIO - UCC-1	B16		WHT		
	17	ORN		A17	6000 REC. AUDIO - C-1138 #1	A17		ORN	2	
		YEL		B17	6000 REC. AUDIO - C-1138 #1	B17		WHT		
	18	GRN		A18	6000 REC. AUDIO - URA-17 #1-1	A18		GRN	3	
		YEL		B18	6000 REC. AUDIO - URA-17 #1-1	B18		WHT		
	19	BRN		A19	6000 REC. AUDIO - URA-17 #1-2	A19		BRN	4	
		YEL		B19	6000 REC. AUDIO - URA-17 #1-2	B19		WHT		
	20	SLT		A20	6000 "REC. B" AUDIO - UCC-1	A20		SLT	5	R-RR1
		YEL		B20	6000 "REC. B" AUDIO - UCC-1	B20		WHT		
	21	BLU		A21	INTERCOM Ø	A21		BLU	1	R-RQ2
		VIO		B21	INTERCOM I	B21		WHT		
	22	ORN		A22	INTERCOM A	A22		ORN	2	
		VIO		B22	INTERCOM B	B22		WHT		
	23	GRN		A23	INTERCOM C	A23		GRN	3	R-RQ2
		VIO		B23	INTERCOM SPARE	B23		WHT		
	24	BRN		A24	(+) TTY - URA-17 #2-1	A24		BLU	1	R-RY5
		VIO		B24	(-) TTY - URA-17 #2-1	B24		WHT		
R-RQ3 & R-RQ4	25	SLT		A25	(+) TTY - URA-17 #2-2	A25		BLU	1	R-RY6
		VIO	TB1	B25	(-) TTY - URA-17 #2-2	B25	TB2	WHT		

MDF (SEE NOTES 3 & 7)

CABLE	PAIR	COLOR	FUNCTION	TERM	TERM BLOCK
R-RQ3 & R-RQ4	1	BLU	115VAC REMOTE - FSK #1 CONTROL	A1	TB1
		WHT	115VAC COM. - FSK #1 CONTROL	B1	
	2	ORN	CW/FSK KEY - FSK #1 CONTROL	A2	
		WHT	COM. GND. (CHASSIS) - FSK #1 CONTROL	B2	
	3	GRN	(+) TTY - FSK LINE #1	A3	
		WHT	(-) TTY - FSK LINE #1	B3	
	4	BRN	115VAC REMOTE - FSK #2 CONTROL	A4	
		WHT	115VAC COM. - FSK #2 CONTROL	B4	
	5	SLT	CW/FSK KEY - FSK #2 CONTROL	A5	
		WHT	COM. GND. (CHASSIS) - FSK #2 CONTROL	B5	
	6	BLU	(+) TTY - FSK LINE #2	A6	
		RED	(-) TTY - FSK LINE #2	B6	
	7	ORN	115VAC REMOTE - UCC-1 CONTROL	A7	
		RED	115VAC COM. - UCC-1 CONTROL	B7	
	8	GRN	(+) 12VDC - UCC-1 CONTROL	A8	
		RED	(-) 12VDC - UCC-1 CONTROL	B8	
	9	BRN	PTT (+) 12VDC KEY - UCC-1 CONTROL	A9	
		RED	SPARE - UCC-1 CONTROL	B9	
	10	SLT	6000 XMIT. AUDIO - UCC-1	A10	
		RED	6000 XMIT. AUDIO - UCC-1	B10	
	11	BLU	115VAC REMOTE - C-1138 #1	A11	
		BLK	115VAC COM. - C-1138 #1	B11	
	12	ORN	CW/FSK KEY - C-1138 #1	A12	
		BLK	COM. GND. (CHASSIS) - C-1138 #1	B12	
	13	GRN	(+) 12VDC - C-1138 #1	A13	
		BLK	(-) 12VDC - C-1138 #1	B13	
	14	BRN	PTT (+) 12VDC KEY - C-1138 #1	A14	
		BLK	SPARE - C-1138 #1	B14	
	15	SLT	6000 XMIT. AUDIO - C-1138 #1	A15	
		BLK	6000 XMIT. AUDIO - C-1138 #1	B15	
	16	BLU	6000 "REC. A" AUDIO - UCC-1	A16	
		YEL	6000 "REC. A" AUDIO - UCC-1	B16	
	17	ORN	6000 REC. AUDIO - C-1138 #1	A17	
		YEL	6000 REC. AUDIO - C-1138 #1	B17	
	18	GRN	6000 REC. AUDIO - URA-17 #1-1	A18	
		YEL	6000 REC. AUDIO - URA-17 #1-1	B18	
	19	BRN	6000 REC. AUDIO - URA-17 #1-2	A19	
		YEL	6000 REC. AUDIO - URA-17 #1-2	B19	
	20	SLT	6000 "REC. B" AUDIO - UCC-1	A20	
		YEL	6000 "REC. B" AUDIO - UCC-1	B20	
	21	BLU	INTERCOM Ø	A21	
		VIO	INTERCOM I	B21	
	22	ORN	INTERCOM A	A22	
		VIO	INTERCOM B	B22	
	23	GRN	INTERCOM C	A23	
		VIO	INTERCOM SPARE	B23	
	24	BRN	(+) TTY - URA-17 #2-1	A24	
		VIO	(-) TTY - URA-17 #2-1	B24	
	25	SLT	(+) TTY - URA-17 #2-2	A25	
		VIO	(-) TTY - URA-17 #2-2	B25	
R-RQ3 & R-RQ4	26	BLU/WHT	SPARE	A26	
		WHT	SPARE	B26	TB1

MDF (CONT.)

CABLE	PAIR	COLOR	FUNCTION	TERM	TERM BLOCK
R-RY1	1	BLU	115VAC REMOTE - FSK #1 CONTROL	A1	TB2
		WHT	115VAC COM. - FSK #1 CONTROL	B1	
	2	ORN	CW/FSK KEY - FSK #1 CONTROL	A2	
		WHT	COM. GND. (CHASSIS) - FSK #1 CONTROL	B2	
R-RY1	5	SLT	(+) TTY - FSK LINE #1	A3	
		WHT	(-) TTY - FSK LINE #1	B3	
R-RY2	1	BLU	115VAC REMOTE - FSK #2 CONTROL	A4	
		WHT	115VAC COM. - FSK #2 CONTROL	B4	
	2	ORN	CW/FSK KEY - FSK #2 CONTROL	A5	
		WHT	COM. GND. (CHASSIS) - FSK #2 CONTROL	B5	
R-RY2	5	SLT	(+) TTY - FSK LINE #2	A6	
		WHT	(-) TTY - FSK LINE #2	B6	
R-RT1	1	BLU	115VAC REMOTE - UCC-1 CONTROL	A7	
		WHT	115VAC COM. - UCC-1 CONTROL	B7	
	3	GRN	(+) 12VDC - UCC-1 CONTROL	A8	
		WHT	(-) 12VDC - UCC-1 CONTROL	B8	
	4	BRN	PTT (+) 12VDC KEY - UCC-1 CONTROL	A9	
		WHT	SPARE - UCC-1 CONTROL	B9	
R-RT1	6	BLU	6000 XMIT. AUDIO - UCC-1	A10	
		RED	6000 XMIT. AUDIO - UCC-1	B10	
R-RT2	1	BLU	115VAC REMOTE - C-1138 #1	A11	
		WHT	115VAC COM. - C-1138 #1	B11	
	2	ORN	CW/FSK KEY - C-1138 #1	A12	
		WHT	COM. GND. (CHASSIS) - C-1138 #1	B12	
	3	GRN	(+) 12VDC - C-1138 #1	A13	
		WHT	(-) 12VDC - C-1138 #1	B13	
	4	BRN	PTT (+) 12VDC KEY - C-1138 #1	A14	
		WHT	SPARE - C-1138 #1	B14	
R-RT2	6	BLU	6000 XMIT. AUDIO - C-1138 #1	A15	
		RED	6000 XMIT. AUDIO - C-1138 #1	B15	
R-RR1	1	BLU	6000 "REC. A" AUDIO - UCC-1	A16	
		WHT	6000 "REC. A" AUDIO - UCC-1	B16	
	2	ORN	6000 REC. AUDIO - C-1138 #1	A17	
		WHT	6000 REC. AUDIO - C-1138 #1	B17	
	3	GRN	6000 REC. AUDIO - URA-17 #1-1	A18	
		WHT	6000 REC. AUDIO - URA-17 #1-1	B18	
	4	BRN	6000 REC. AUDIO - URA-17 #1-2	A19	
		WHT	6000 REC. AUDIO - URA-17 #1-2	B19	
R-RR1	5	SLT	6000 "REC. B" AUDIO - UCC-1	A20	
		WHT	6000 "REC. B" AUDIO - UCC-1	B20	
R-RQ2	1	BLU	INTERCOM Ø	A21	
		WHT	INTERCOM I	B21	
	2	ORN	INTERCOM A	A22	
		WHT	INTERCOM B	B22	
R-RQ2	3	GRN	INTERCOM C	A23	
		WHT	INTERCOM SPARE	B23	
R-RY5	1	BLU	(+) TTY - URA-17 #2-1	A24	
		WHT	(-) TTY - URA-17 #2-1	B24	
R-RY6	1	BLU	(+) TTY - URA-17 #2-2	A25	
		WHT	(-) TTY - URA-17 #2-2	B25	

